

9790 Combine Parts Catalog

Eff. S/N HM36101

ALPHABETICAL INDEX

The complete alphabetical index appears at the beginning of this publication. It is used to locate major groups, assemblies and components.

NUMERICAL INDEX

The numerical index of this publication follows the Alphabetical Index at the beginning of the publication and indicates which page a part number appears.

ILLUSTRATIONS

All illustrations are located on the left hand page with the text on the right. Except for some common hardware, all parts are identified with an item number which corresponds to the "item" column on the text page. This is followed by the parts number, quantity and description.

HARDWARE

Common hardware not identified such as bolts, nuts, cotter pins and lube fittings, are listed indented in the text beneath the item to which they attach or fit. Common hardware listed indented beneath an item is NOT included unless specified. Example: (Incl. BOLT, LOCKWASHER AND NUT).

ORDERING PARTS

Be sure to refer to both the text and the illustration to assure ordering the correct part.

RECOMMENDED DEALER STOCK

A recommended dealer stock listing appears at the end of this publication.



CAB

AIR CONDITIONER COMPRESSOR (SANDEN)	209
AIR CONDITIONER LINES	207
BRAKE MASTER CYLINDER	173
CONSOLE - SEAT	167
CONTROL GEARSHIFT	177
CONTROL PARK BRAKE & HYDRO PROPEL CABLE	175
CONTROL SERVICE BRAKES	171
CONTROL STEERING COLUMN	179
DECK EXTENSION 145" TREAD AND DUALS	155
FRAME & MOUNTING	139
HEATER & LINES (PRIOR S/N HR36101)	211
HEATER LINES (EFF. S/N HR36101)	213
HVAC BLOWER ASY. EVANS TEMPCON (PRIOR S/N HS36--)	203
HVAC CONTROL PANEL (EFF. S/N HS36101)	197
HVAC CONTROL PANEL (PRIOR S/N HS36--)	195
HVAC PRESSURIZER UNIT & DUCTING	193
HVAC PRESSURIZER UNIT EVANS-TEMPCON (EFF. S/N HS36--)	205
HVAC PRESSURIZER UNIT EVANS-TEMPCON (PRIOR S/N HS36--)	199
INTERIOR COVERINGS & TRIM LOWER AND REAR	147
INTERIOR COVERINGS & TRIM UPPER AND FRONT	145
LH DOOR INTERIOR & EXTERIOR HANDLES	143
MIRRORS & EXTREMITY LIGHTS MANUAL & ELECTRIC ADJUST	161
PIVOTING LADDER LH	153
PLATFORM LEFT & RIGHT	151
ROOF & INTERIOR/EXTERIOR LIGHTS	165
SEAT BASE & SUSPENSION	185
SEAT CUSHION AND BACKREST	189
SEAT OPERATOR & INSTRUCTOR	183
STAIRCASE LADDER & PLATFORM	157
STEERING COLUMN	181
WINDOWS AND DOORS	141
WINDSHIELD WIPER	163

CHOPPER & SPREADER

CHAFF SPREADER FAN HOUSING, REKORD (EFF. S/N HS36101)	407
CHAFF SPREADER FAN HOUSING, REKORD (PRIOR S/N HS36101)	405
CHAFF SPREADER HYDRAULIC DRIVE (EFF. S/N HS36101)	403
CHAFF SPREADER HYDRAULIC DRIVE (PRIOR S/N HS36101)	401
CHAFF SPREADER HYDRAULICS, REKORD	409
JACKSHAFT DRIVE	371
STRAW CHOPPER DRIVE	375
STRAW CHOPPER DRIVE KIT HEAVY DUTY	379
STRAW CHOPPER HOOD & SUPPORTS	389
STRAW CHOPPER HOUSING REDEKOP	381
STRAW CHOPPER ROTOR	385
STRAW SPREADER COMPONENTS	395
STRAW SPREADER DRIVE	391

DECALS & LABELS

LEFT SIDE & FRONT LABELS (EFF. S/N HS36101)	43
LEFT SIDE & FRONT LABELS (PRIOR S/N HS36101)	39
RIGHT SIDE & REAR LABELS (EFF. S/N HS36101)	45
RIGHT SIDE & REAR LABELS (PRIOR S/N HS36101)	41

DRIVES

BELTS LEFT	709
BELTS RIGHT	711
CHAINS DRIVE	713

ELECTRICAL

ALTERNATOR - 150 AMP	229
ALTERNATOR DELCO #1117965	257
BEACON LIGHTS FIELD KIT	249
CAB COMPONENTS CONTROLS & SWITCHES	233

ELECTRICAL (CONTINUED)

CAB COMPONENTS FUSE PANEL & HYDRO HANDLE	237
CAB COMPONENTS RADIO AND ANTENNA	241
CAB COMPONENTS UPPER CONSOLE	239
ELECTRICAL HARNESSSES & SWITCHES FRONT	219
ELECTRICAL HARNESSSES REAR	247
ENGINE & BATTERY WIRING (EFF. S/N HR36101)	225
ENGINE & BATTERY WIRING (PRIOR S/N HR36101)	221
FEEDER ELECTRICAL (EFF. S/N HS36101)	217
FEEDER ELECTRICAL (PRIOR S/N HS36101)	215
GRID HEATER (PRIOR S/N HR36101)	231
HARNESSSES & LIGHTING GRAIN BIN	245
HIGH INTENSITY LIGHTING FIELD KIT	251
MONITORING SYSTEMS DIGITAL TACHOMETER	243
SERVICE CONNECTORS HARNESS REPAIR	259
STARTER MOTOR	253

ENGINE

AIR CLEANER CUMMINS QSL9 ENGINE	101
AIR INTAKE & EXHAUST CUMMINS QSL9 ENGINE (S/N HP36101 - HP36999)	103
AIR INTAKE AND EXHAUST CUMMINS QSL9 ENGINE (PRIOR S/N HP36101)	97
AIR INTAKE AND EXHAUST SISU ENGINE (EFF. S/N HR36101)	107
ALTERNATOR & MOUNTING SISU	87
CAMSHAFT AND VALVE TRAIN SISU	65
CENTRIFUGAL OIL CLEANER SISU	75
COOLING FAN DRIVE KIT, CUMMINS (PRIOR S/N HR36101)	95
COOLING SYSTEM	117
CRANKSHAFT SISU	63
CYLINDER BLOCK SISU	57
CYLINDER HEAD SISU	67
DRIVE BELT SYSTEM SISU	91
ENGINE & MOUNTS CUMMINS (PRIOR S/N HR36101)	47
ENGINE & MOUNTS SISU (EFF. S/N HR36101)	53
ENGINE ELECTRICAL SISU	85
ENGINE OVERHAUL KITS SISU	93
FLYWHEEL AND HOUSING SISU	61
FRONT GEAR HOUSING SISU	59
FUEL FILTER & LINES KIT (EAST EUROPE)(PRIOR MID-PRODN S/N HR36-)	137
FUEL FILTER OPTION (EFF. S/N HR36- STRAINER MOUNT ON ELEV.)	135
FUEL FILTERS SISU	83
FUEL LINES (EFF. S/N HR36- STRAINER MOUNT ON ELEV.)	133
FUEL LINES (STRAINER MOUNT AT FUEL TANK)	129
INJECTOR PUMP SYSTEM SISU	81
INTAKE & EXHAUST MANIFOLD SISU	69
MAIN ENGINE DRIVES	111
OIL COOLER & FILTER SISU	77
OIL SUMP & PUMP SISU	73
RADIATOR SLINGER	123
ROTARY SCREEN DOOR & SCREEN	125
ROTARY SCREEN MOTOR & DRIVE	127
STARTER MOTOR SISU	89
TURBOCHARGER SISU	71
WATER PUMP SYSTEM SISU	79

FEEDER

CONVEYOR (EFF. S/N HP36101)	303
CONVEYOR (PRIOR S/N HP36101)	301
COUNTERSHAFT HEADER DRIVE (PRIOR S/N HP36101)	295
COUNTERSHAFT VARIABLE & FIXED SPEED HEADER DRIVE (EFF. S/N HP36101)	297
FEED FLOOR (PRIOR S/N HS36101)	275
FEEDER REVERSER DRIVE & HYDRAULICS (EFF. S/N HP36101)	307
FEEDER REVERSER LINES & FITTINGS (PRIOR S/N HP36101)	305
FLOOR, MIDDLE (EFF. S/N HS36101)	277
HOUSING & SHIELDS (EFF. S/N HP36101)	267
HOUSING & SHIELDS (PRIOR S/N HP36101)	263

FEEDER (CONTINUED)

HYDRAULIC LINES V.S. HEADER DRIVE (EFF. S/N HP36101)	291
JACK	273
JACKSHAFT & C'SHAFT DRIVE IDLER FIXED SPEED HEADER DRIVE (EFF. S/N HP36101)	293
JACKSHAFT & V.S. IDLER V.S. HEADER DRIVE (EFF. S/N HP36101)	289
JACKSHAFT DRIVE R.H. FEEDERHOUSE (EFF. S/N HP36101)	287
LATCH HEADER	299
LH PIVOT DRIVE (EFF. S/N HP36101)	283
PIVOT SHAFT (EFF. S/N HP36101)	281
PIVOT SHAFT (PRIOR S/N HP36101)	279
REVERSER MOTOR & CLUTCH COMPONENTS (PRIOR S/N HP36101)	309
REVERSER MOTOR CLUTCH HOUSING & SHAFT ASSEMBLY (EFF. S/N HP36101)	311
REVERSER MOTOR TORQUE MOTOR ASY. (EFF. S/N HP36101)	313
RH DRIVE (PRIOR S/N HP36101)	285

FIELDSTAR II SYSTEM

SOFTWARE/DATA CARD	719
YIELD MONITOR SYSTEM W/ 1 HZ WAAS DGPS	715

GRAIN BIN & ELEVATOR

BIN EXTENSIONS	511
FUEL TANKS	513
GRAIN BIN LOWER STRUCTURE	497
GRAIN BIN UPPER STRUCTURE & MOUNTS	503
GRAIN ELEVATOR BIN FILL AUGER	457
GRAIN ELEVATOR HEAD ASSEMBLY	455
GRAIN ELEVATOR LOWER	451
RETURN ELEVATOR DRIVE	475
RETURN ELEVATOR LOWER (EFF. S/N HP36101)	465
RETURN ELEVATOR LOWER (PRIOR S/N HP36101)	461
RETURN ELEVATOR UPPER	469
STAINLESS STEEL ELEVATOR PACKAGE RICE	473
UNLOADER DRIVE	493
UNLOADING AUGER LOWER	477
UNLOADING AUGER UPPER	489
UNLOADING AUGER VERTICAL EFFECTIVE S/N HN36101	485
UNLOADING AUGER VERTICAL PRIOR S/N HN36101	481

HYDRAULICS

ACCUMULATOR PARKER	595
CONTROL VALVE & LINES (EFF. S/N HS36101)	579
CONTROL VALVE & LINES SISU ENGINE (EFF. S/N HR36101-HR36999)	565
CONTROL VALVE STACK (PRIOR S/N HS36101)	603
FEEDER REVERSER VALVE	609
GREASE LINES	633
HEADER LIFT CYLINDERS	597
HEADER LIFT VALVE	605
HEADER SUPPLY PLUMBING (EFF. S/N HS36101)	585
HYDRAULIC PUMP	559
HYDRAULIC PUMP & LINES (PRIOR S/N HR36101)	553
HYDRAULIC PUMP & LINES SISU ENGINE (EFF. S/N HR36101)	561
HYDRAULIC VALVE ASSEMBLY (EFF. S/N HS36101)	569
MAIN CONTROL VALVE (EFF. S/N HS36101)	571
PRIORITY VALVE	601
PROPEL PUMP AND MOTOR LINES	631
REEL DRIVE VALVE (PRIOR S/N HS36101)	613
REEL LIFT VALVE	607
RESERVOIR & FILTER	625
ROTARY SCREEN MOTOR LINES (PRIOR S/N HS36101)	617
ROTARY SCREEN VALVE & MOTOR	615
ROTOR PUMP AND MOTOR LINES	629
STEERING & HEADER FUNCTIONS (EFF. S/N HS36101)	583
STEERING & HEADER FUNCTIONS (PRIOR S/N HS36101)	573
STEERING CYLINDER RWA AXLE	593

HYDRAULICS (CONTINUED)

STEERING CYLINDER STD. ADJUSTABLE AXLE (EFF. S/N HP36101)	591
STEERING CYLINDER STD. ADJUSTABLE AXLE (PRIOR S/N HP36101)	589
STEERING UNIT PLUMBING (EFF. S/N HS36101)	587
SYSTEM PUMP (EFF. S/N HR36101)	563
UNLOADER ENGAGE LINES (EFF. S/N HP36101)	621
UNLOADER ENGAGE LINES (PRIOR S/N HP36101)	619
UNLOADER ENGAGE VALVE	623
UNLOADER SWING CYLINDER	599
UNLOADER SWING VALVE	611

LATERAL TILT

ANCHORS & SENSOR	319
HOUSING	315
HYDRAULIC CYLINDER (EFF. S/N HN36101)	323
HYDRAULIC CYLINDER (PRIOR S/N HN36101)	321
HYDRAULICS	325
VALVE & CONTROL	327

PROCESSOR

CONCAVE & CONTROLS	341
FRONT BEATER	329
FRONT BEATER DRIVE BELT & IDLER	335
INLET HOUSING AND STONE TRAP	337
MAIN COUNTERSHAFT	331
MAIN COUNTERSHAFT DRIVE AND IDLER	333
MOTOR, HYDROSTATIC ROTOR	369
POWER CONCAVE CONTROL	347
REAR ROTOR HOUSING	349
ROTOR	359
ROTOR DRIVE 2-SPEED GEARBOX	367
ROTOR DRIVE GEARBOX SHIFT LINKAGE	363
SEPARATOR GRATE SUPPORTS RICE	357
SEPARATOR GRATES	353

RECOMMENDED DEALER LIST

RECOMMENDED DEALER LIST	721
-------------------------------	-----

SEPARATOR

CLEANING SHOE LOWER PAN (EFF. S/N HS36101)	441
CLEANING SHOE UPPER FRAME & SIEVES	439
GRAIN ELEVATOR DRIVE (EFF. S/N HP36101)	449
GRAIN ELEVATOR DRIVE (PRIOR S/N HP36101)	447
LOWER AUGER HOUSING AND FANNING MILL	411
PITMAN DRIVE (EFF. S/N HS36101)	445
PITMAN DRIVE (PRIOR S/N HS36101)	443
PITMAN SHAFT (EFF. S/N HS36101)	425
SEPARATOR PAN (EFF. S/N HS36101)	423
SEPARATOR PAN (PRIOR S/N HS36101)	419
SHAKER SHOE AND SIEVES (PRIOR S/N HS36101)	427
SHOE SHAKER (EFF. S/N HS36101)	435
VARIABLE SPEED FAN DRIVE	417

SHIELDS

ENGINE COVERS	515
MUD SHIELDS LEFT SIDE (EFF. S/N HP36101)	549
MUD SHIELDS LEFT SIDE (PRIOR S/N HP36101)	543
MUD SHIELDS RIGHT SIDE (EFF. S/N HS36101)	541
MUD SHIELDS RIGHT SIDE (PRIOR S/N HS36101)	537
REAR DECK AND LADDER	521
SIDE SHIELDS LEFT SIDE	525
SIDE SHIELDS RIGHT SIDE	531

TRANSMISSION & AXLES

4" AXLE RISERS FINAL DRIVE, S39 (PRIOR S/N HS36101)	671
---	-----

TRANSMISSION & AXLES (CONTINUED)

4" AXLE RISERS FINAL DRIVE, S40 (EFF. S/N HS36101)	673
DRUM BRAKES LINES & FITTINGS	685
DRUM BRAKES SERVICE & PARKING	683
FINAL DRIVE, S39 (PRIOR S/N HS36101)	663
FINAL DRIVE, S40 (EFF. S/N HS36101)	669
FRONT AXLE AND FINAL DRIVES (EFF. S/N HS36101)	667
MAIN FRAME AND AXLE SUPPORTS	687
MOTOR, HYDRO PROPEL COMPONENTS	643
PROPEL PUMP COMPONENTS, 1 OF 4	635
PROPEL PUMP COMPONENTS, 2 OF 4	637
PROPEL PUMP COMPONENTS, 3 OF 4	639
PROPEL PUMP COMPONENTS, 4 OF 4	641
REAR AXLE & WHEELS ADJUSTABLE TREAD (EFF. S/N HP36101)	693
REAR AXLE & WHEELS ADJUSTABLE TREAD (PRIOR S/N HP36101)	689
REAR AXLE & WHEELS REAR WHEEL ASSIST	697
REAR WHEEL ASSIST SELECTOR VALVE & FLOW DIVIDER	705
REAR WHEEL ASSIST WHEEL MOTOR UNIT	703
ROTOR PUMP FRONT, 1 OF 4	647
ROTOR PUMP FRONT, 2 OF 4	649
ROTOR PUMP FRONT, 3 OF 4	651
ROTOR PUMP FRONT, 4 OF 4	653
ROTOR PUMP REAR, 1 OF 4	655
ROTOR PUMP REAR, 2 OF 4	657
ROTOR PUMP REAR, 3 OF 4	659
ROTOR PUMP REAR, 4 OF 4	661
ROTOR PUMPS TANDEM PUMP	645
TRANSMISSION, GEAR DIFFERENTIAL	681
TRANSMISSION, GEAR INPUT SHAFT & GEARS	677
TRANSMISSION, GEAR INTERMEDIATE & MAIN SHAFT	679
TRANSMISSION, GEAR PRESSURE LUBE & HYDRO MOTOR	675
WHEELS DRIVE	707

9790 COMBINE

7
INDEX

Part No.	Page	Part No.	Page	Part No.	Page	Part No.	Page
10033	469	101832M1	575	104135W91	555	1052370M91	605
10033	721	101832M1	583	104135W91	565	1052370M91	607
100801	697	101832M1	619	104135W91	613	1052370M91	611
101065M1	377	101832M1	621	104139W91	605	1052384M1	607
101065M1	393	101841M1	119	104139W91	609	1052393M1	611
101066M1	377	101841M1	629	104145W91	603	1052394M1	605
101066M1	393	101841M1	631	104145W91	605	1052408M1	611
101069M1	377	101841M1	701	104156W91	625	1053766M1	255
101069M1	391	101842M1	121	104201W1	339	105493W1	343
101074M2	373	101842M1	629	104207W1	443	105495W1	343
101075M1	373	101842M1	631	1042752M1	309	1055753M1	253
101078M1	329	101842M1	701	1042836M1	255	1055944M1	611
101098M91	371	101843M1	631	104307W91	305	105733W1	309
101100M91	371	101843M1	699	104307W91	309	1064659M1	323
101102M1	493	101844M1	631	104308W1	625	1064661M1	323
101102M1	709	1018729M1	247	104309W91	625	1068614M91	417
101102M1	721	1018729M1	723	104309W91	723	1068617M1	417
101126M1	429	101930M1	359	104456W1	559	1068620M91	417
101158M1	471	102028M1	699	104458W91	559	1070229M1	101
101218M91	543	102038M1	687	104468W1	309	1070229M1	723
101218M91	551	102158M1	545	104468W1	311	1070230M1	101
101221M92	547	102237M1	547	104473W91	309	1070230M1	723
101221M92	551	1022645M1	253	104475W1	309	1070231M91	101
101231M1	547	102302M1	47	104476W1	309	107041	233
101231M1	551	102302M1	53	104476W1	313	1070554M1	253
101232M1	547	102367M1	701	104477W1	309	1070564M1	253
101232M1	551	1026105M1	675	104478W91	309	1070578M1	253
101276M2	371	102764M91	341	104479W1	309	1070580M1	253
101276M2	375	102835M91	359	104479W1	313	1073032M1	605
101276M2	493	102903M91	507	104480W91	309	1073032M1	607
101411M91	375	102934M1	373	104482W1	309	107320M1	235
101411M91	391	102981M91	359	104483W1	309	107499M1	239
1014575M1	255	103001M91	345	104484W1	309	107500M1	239
101575M1	493	103004M91	345	104485W1	309	1077183M91	699
101588M1	553	103284M1R	111	104486W1	309	1077238M91	705
101588M1	561	103316M1	375	104500W1	329	1077239M91	705
101589M91	573	103338W1	389	104500W1	547	1077240M91	705
101589M91	583	103338W1	399	104502W1	613	1077602M1	651
101590M1	401	103339W1	389	104503W1	613	1077602M1	659
101590M1	557	103339W1	399	104505W1	613	1077604M1	647
101590M1	565	103342W91	383	104508W1	613	1077604M1	649
101590M1	567	103600W1	573	104509W1	613	1077604M1	655
101590M1	583	1036543M1	253	104510W1	613	1077604M1	657
101596M92	573	103657W91	417	104512W1	613	1077605M1	635
101596M92	583	103668W1	151	104715W1	331	1077605M1	641
101598M1	557	103668W1	157	104740W1	483	1077605M1	643
101598M1	567	103714W1	559	104740W1	487	1077605M1	647
101598M1	583	103732W1	309	104741W1	483	1077605M1	653
101618M1	557	103736W1	309	104741W1	487	1077605M1	655
101618M1	567	103737W1	309	104742W1	483	1077605M1	661
101618M1	583	103738W1	309	104742W1	487	1077611M1	639
101618M1	629	103745W1	605	104751W1	329	1077611M1	643
10163	393	103746W1	605	104751W1	331	1077611M1	651
101643M91	557	103747W1	605	104751W1	373	1077627M1	641
101643M91	565	103753W1	605	104904W91	343	1077627M1	653
101646M1	133	103754W1	605	104916W91	545	1077627M1	661
101646M1	137	103759W91	603	104916W91	549	1077628M1	641
101646M1	207	103764W1	603	104928W1	349	1077628M1	653
101646M1	223	103766W92	603	105068W1	611	1077631M91	635
101646M1	225	103766W92	607	105076W1	611	1077631M91	647
101650M1	553	103778W91	603	105077W1	611	1077631M91	655
101650M1	561	103789W1	605	105078W1	611	1077635M2	639
101650M1	565	103789W1	613	105084W1	611	1077635M2	651
101698M1	573	103796W1	605	105085W1	611	1077637M1	641
101698M1	579	103797W1	605	105086W91	335	1077637M1	653
101705M1	573	103830W91	103	105091W1	101	1077638M1	641
101705M1	579	103830W91	107	105092W1	101	1077638M1	653
10171	589	103830W91	97	105177W1	383	1077638M1	661
101751M1	557	103834W1	279	1052337M1	605	1077639M92	649
101751M1	567	103834W1	281	1052341M1	605	1077651M1	635
101751M1	579	104021W1	481	1052349M1	605	1077651M1	647
101752M1	557	104035W1	389	1052351M1	605	1077651M1	655
101752M1	565	104128W1	605	1052358M1	611	1077654M1	637
101783M1	279	104128W1	613	1052359M91	607	1077654M1	649
101785M1	279	104130W91	605	1052370M91	603	1077656M1	637

INDEX

Part No.	Page	Part No.	Page	Part No.	Page	Part No.	Page
1077656M1	649	108601W1	493	112716W92	485	116343W1	299
1077658M1	637	108602W1	493	112720W91	483	116346W1	299
1077658M1	649	108610W1	505	112720W91	487	116348W1	299
1077658M1	657	108664W1	233	112734W1	171	116349W1	299
1077661M1	637	108664W1	327	112735W91	171	116354W1	275
1077661M1	657	108843W1	453	112752W1	361	116354W1	277
1077664M1	641	108910W91	555	112774W1	493	116362W1	275
1077664M1	643	108910W91	565	112785W92	557	116363W1	275
1077664M1	653	108925W1	619	112785W92	599	116465W91	603
1077666M1	369	108925W1	621	112811W1	235	116465W91	611
1077666M1	635	1089933M1	101	112812W1	235	116482W1	573
1077666M1	643	1089941M91	101	112814W1	235	116518W1	265
1077666M1	647	10970	385	112845W1	511	116519W1	265
1077673M1	641	1107164	47	112845W1	511	116616W1	431
1077673M1	653	1107164	49	112845W1	525	116616W1	435
1077673M1	661	1109055	419	112845W1	527	116626W1	597
1077675M1	653	1109055	721	112845W1	529	116627W1	597
1077678M1	653	1109070	681	112845W1	531	116640W1	553
1077684M1	637	111089W1	605	112845W1	533	116640W1	561
1077684M1	649	111091W1	383	112858W91	625	116644W1	555
1077684M1	657	111091W1	39	112887W1	625	116644W1	565
1077695M1	643	111091W1	41	112887W1	721	116757W1	597
1077696M1	643	111091W1	43	112887W1	723	116759W1	597
1077960M1	643	111091W1	45	112890W91	561	116953W91	385
108047W1	221	111095W1	265	112890W91	625	1177981	99
108047W1	225	111095W1	39	112942W1	121	133827M1	625
108048W1	221	111095W1	41	112942W1	375	133828M91	625
108048W1	225	111095W1	43	112942W1	391	13601	281
108076W1	221	111095W1	45	112942W1	545	13601	341
108076W1	225	1112299	185	112942W1	549	13811X	283
1081151M1	703	1112407	209	112967W1	39	13811X	285
1081158M91	703	1112407	49	112967W1	43	13811X	287
1081670M1	659	1114720W1	419	112972W1	557	13811X	293
1081671M1	659	1114720W1	423	112972W1	567	13811X	297
1081673M1	659	111670W1	39	112972W1	573	13887X	297
1081684M1	659	111670W1	41	112972W1	579	13887X	691
1081699M1	641	111670W1	43	112977W92R	481	13887X	693
1081699M1	653	111670W1	45	1130100W1	419	1440716X1	425
1081706M1	637	111670W1	537	1130100W1	423	1440921X1	405
1081706M1	649	111670W1	545	1138480	331	1440921X1	405
1081706M1	657	111711W1	175	1138480	721	1441500X1	409
1081707M91	647	111736W2	41	1139003	421	1441500X1	409
1081707M91	655	111736W2	45	1139003	721	1441590X1	667
1081711M1	661	111737W1	383	11538	425	1441932X1	405
1081720M91	649	111737W1	401	11538	429	148022M1	305
1081721M1	649	111737W1	403	11538	433	148022M1	573
1081723M1	649	111741W1	39	1157990W1	419	148022M1	583
1081724M1	649	111741W1	43	1157990W1	423	148039M1	555
1081725M1	649	111743W1	41	1157990W1	433	148039M1	567
1081726	649	111743W1	45	116047W1	169	148039M1	579
1081727M1	645	111743W1	473	116082W1	385	148039M1	583
1081727M1	649	112016W1	625	116106W1	279	148203M1	133
1081728M1	649	112020W1	629	116106W1	281	148203M1	137
1081729M1	649	112022W1	629	116107W1	279	148203M1	223
1081731M1	641	112027W1	619	116107W1	281	148203M1	225
1081731M1	653	112027W1	621	116108W1	279	148203M1	619
1081733M1	635	112041W1	553	116108W1	281	148203M1	621
1081733M1	647	112043W1	557	116143W1	599	14987	429
1081734M91	653	112044W1	557	116145W1	599	14987	435
108202W1	415	112046W1	305	116146W1	599	1500050W1	483
108202W1	477	112050W1	553	116147W91	599	1500050W1	487
108275W91	493	112050W1	565	116148W1	599	1500060W1	483
108531W91	619	112159W1	219	116149W1	599	1500060W1	487
108531W91	621	112174W1	555	116246W91	381	1500070W1	483
108531W91	623	112202W91	703	116247W91	381	1500070W1	487
108541W1	625	112204W91	703	116248W91	383	1501043W91	441
108575W1	481	112235W91	705	116249W1	383	1501060W1	419
108575W1	485	112236W1	233	116250W1	383	1501060W1	423
108575W1	493	112253W1	697	116281W1	645	1501060W1	429
108586W91	493	112283W1	699	116282W1	645	1501060W1	433
108592W1	493	112412W1	339	116312W1	299	1501060W1	439
108593W91	493	112678W1	131	116328W1	265	1501060W1	441
108597W91	493	112678W1	133	116328W1	267	1508070W1P	477
108599W1	493	112685W1	329	116339W1	299	1510740W1	461
108600W1	493	112716W92	481	116343W1	267	1510831W91	469

Part No.	Page	Part No.	Page	Part No.	Page	Part No.	Page
151257M1	355	1742670W1	449	2442960W1	341	2530670W1	355
151257M1	447	1774490W91	175	2442970W1	341	2531340W1	345
151257M1	449	1777403W91	279	2443410W1	419	2531671W91	337
1564540W1	419	1777403W91	281	2443410W1	423	2531681W91	337
1564540W1	423	17789	411	2443420W1	419	2537670W2	415
1564540W1	427	17789	413	2443420W1	423	2537720W1	417
1564540W1	429	17789	453	2445360W1	329	2538810W1	355
1564540W1	435	1786320W1	481	2446310W1	417	2544120W1	343
1564540W1	441	1787520W1	377	2446400W1	429	2545270W1	417
1565240W1	171	1787520W1	391	2446400W1	435	2545270W1	493
1579720W1	391	1787520W1	547	2446893W91	411	2545471W91	343
1579720W1	449	1787520W1	551	2446903W91	411	2545511W91	343
1579720W1	475	1791851W91	175	2446920W1	411	2547531W91	345
1588480W1	419	1797450W1	493	2446930W1	411	2547540W1	345
1588480W1	423	1799410W1	125	2447080W1	475	254763M1	345
1599410W1	489	1799410W1	451	2449760W1	443	2551250W1	419
1605510W1	443	1799410W1	463	2449760W1	445	2551250W1	423
1605510W1	469	1799410W1	465	2450441W4	489	2551250W1	431
1609121W91	273	1799410W1	477	2450500W1	489	2551250W1	435
1609200W1	273	1817730W1	419	2451440W1	115	2551250W1	441
1611180W1	273	1817730W1	423	2451440W1	377	255301M2	111
1651910W1	119	1905314M1	49	2451440W1	447	2553251W91	469
1651910W1	461	1905376M1	631	2451440W1	449	2553271W92	471
1656110W2	269	1907162M1	221	2452270W1	483	2553290W1	471
1656110W2	511	1907162M1	225	2452270W1	487	2553300W1	471
1656110W2	517	1907162M1	721	2460840W2	483	2553320W1	469
1656110W2	537	195160M1	691	2460840W2	487	2553560W1	371
1656110W2	541	195160M1	693	2461793W91	101	2553560W1	447
1656110W2	545	195160M1	723	2464250W1	417	2553560W1	449
1656110W2	549	195412M1	417	2466861W91	343	2554680W1	451
1659630W1	279	195441M1	147	2466960W2	343	2554761W91	359
1659630W1	281	195441M1	233	2467220W1	341	2554761W91	725
1659650W1	279	195441M1	237	2467220W1	353	2555130W1	461
1659650W1	281	195441M1	241	2467220W1	727	2555170W1	461
1659660W1	279	1R61628	323	2467230W1	341	2555180W1	461
167550A	253	22289X	419	2467230W1	353	2555190W1	461
1680230W1	391	22289X	425	2467230W1	727	2555190W1	545
1680230W1	711	22602X	361	2469711W91	359	2555190W1	549
1680230W1	721	22602X	429	2469760W1	359	2555200W1	461
1689170W1	335	22602X	435	2472450W1	343	2555211B91	461
1689170W1	371	227455M1	371	2476070W1	443	2555231W91	461
1689170W1	375	227455M1	447	2476203W1R	477	2555310W1	419
1689170W1	391	227455M1	709	2476230W1	477	2555310W1	423
1689170W1	445	227455M1	711	2476240W1	451	2555401W91	451
1689170W1	447	227455M1	721	2476240W1	465	2556880W1	633
1689170W1	449	2400540W1	431	2476240W1	477	2556880W1	685
1689170W1	493	2400540W1	441	2485470W1	371	2563800W1	279
1703354	119	2403570W1	429	2485470W1	481	2563800W1	281
1703354	121	2403570W1	435	2486140W1	481	2571510W1	453
1703354	143	2403610W1	279	2486150W1	481	2571520W1	453
1703354	153	2403610W1	281	2486150W1	485	2573180W1	279
1703354	167	2407570W1	443	2486160W1	481	2573370W1	393
1703354	215	2407570W1	445	2486160W1	485	2573610W1	393
1703354	217	2407570W1	487	2486170W2	481	2577893W91	101
1706380W1	329	2412670W1	451	2486170W2	485	2577893W91	97
1706380W1	331	2412670W1	465	2488980W1	337	2580580W1	687
1706393W91	331	2412960W1	459	2489330W1	361	2580593W91	687
1712530W1	489	2414623W1	489	2489920W1	361	2588071W92	417
1714400W1	489	2414630W2	489	2489940W1	361	2588510W1	329
1714410W1	489	2414640W1	489	2492063W91	429	2590650W1	425
1714430W1	489	2438160W1	481	2492063W91	435	2590650W1	443
1716190W1	491	2440720W1	413	2493000W1	481	2591531W91	463
1717640W1	279	2441250W1	689	2493870W1	483	2597740W1	483
1717640W1	281	2441250W1	693	2493870W1	487	2601260W1	481
1717650W1	279	2441250W1	697	2495780W1	245	2601260W1	501
1717650W1	281	2441340W1	691	2497273W91	359	2605880W91	713
1720176	385	2441340W1	693	2498390W1	353	2605880W91	725
1720176	453	2441340W1	701	2498390W1	727	2609080W1	41
1721491W2R	489	2441490W1	371	2503350W1	373	2612870W1	337
1736510W1	491	2441490W1	375	2513840W1	687	2612880W1	337
1736870W1	489	2441490W1	391	2522600W1	337	2612961W91	337
1737620W1	489	2441490W1	447	252502M1	345	2613771W91	443
1737660W1	491	2441490W1	449	2526120W1	481	2614090W1	443
1742670W1	371	2441970W1	469	2526120W1	485	2614090W1	449
1742670W1	447	2442480W2	413	2530670W1	345	2615094W91	419

INDEX

Part No.	Page	Part No.	Page	Part No.	Page	Part No.	Page
2615094W91	425	2636631W91	475	3019398X1	55	339768X1	387
2615101W92	419	2636870W2	341	3019418X91	55	350392X1	331
2615101W92	425	2636890W1	397	3019856X1	669	353062X1	289
2615120W1	421	2637890W1	373	3019865X1	425	353426X1	171
2615140W2	419	26674	689	3019871X1	425	353436X1	127
2615140W2	425	26674	693	3019894X1	409	353436X1	319
2615181W91	429	27342	121	30-3076830	211	353438X1	613
2615233W92	463	2813878M1	187	30-3076830	213	353446X1	405
2615233W92	713	28280440	265	30-3076830	49	353505X1	113
2615233W92	723	28280440	271	30-3076830	727	353509X1	199
2616131W91	687	286501M1	553	30-3413837	257	353509X1	205
2616141W91	687	286501M1	561	30-3413918	257	353538X1	605
2618670W1	355	286501M1	565	30-3413926	257	353609X1	305
2618680W1	355	293766M1	219	30-3427978	253	353609X1	307
2619180W1	371	293766M1	245	30-3429865	209	353613X1	695
2619180W1	379	293817M91	417	30-3429865	49	353724X1	309
2619380W1	373	293888M1	629	3067979	103	353769X1	119
2619560W1	331	293888M1	631	3071049	103	353769X1	125
2619570W1	443	294148M91	491	3071049	99	353769X1	153
2619570W1	445	29780X	419	31-1588410	425	353769X1	243
2619570W1	483	29780X	423	31-1588410	443	353769X1	267
2620021W91	461	29780X	425	31-1588410	721	353770X1	407
2620021W91	467	29780X	459	31-2446490	447	353771X1	339
2620130W1	329	29780X	469	31-2455700	375	353771X1	341
2620180W1	329	3000193X1	405	31-2455700	391	353771X1	353
2620180W1	331	3000193X1	407	31-2530050	101	353771X1	359
2620190W1	385	3000193X1	407	31-2530050	105	353771X1	361
2620853W91	447	3000258X1	585	31-2530050	109	353771X1	375
2620853W91	449	3001429X1	277	31-2530050	247	353771X1	391
2620871W91	447	3001429X1	379	31-2530050	97	353773X1	111
2620920W1	447	3001429X1	387	31752	675	353773X1	113
2624230W1	493	3001968X1	667	318618P	129	353773X1	329
2625050W1	689	3008169X1	385	318618P	133	353773X1	359
2625050W1	693	3008469	665	3289213V	47	353773X1	489
2625050W1	701	3008469	669	3289213V	711	353919X1	613
2625940W1	103	3009183X1	267	3289213V	721	353924X1	123
2625940W1	107	3009183X1	439	329951M91	713	354273X1	455
2625940W1	99	3009207X1	445	329951M91	725	354920X1	371
2626120W1	335	3009208X1	439	339025X1	405	354920X1	379
2627000W1	335	3009213X1	55	339030X1	267	354920X1	483
2628221W91	371	3009219X1	585	339030X1	303	354920X1	487
2628310W1	371	3009222X1	667	339081X1	277	354920X1	489
2628321W92	391	3009227X1	425	339123X1	439	354920X1	721
2628340W1	375	3009244X1	445	339124X1	405	355485X1	481
2629073W91	625	3009245X1	283	339124X1	405	355485X1	487
2629080W1	625	3009247X1	283	339124X1	407	355547X1	309
2629511W93	493	3009292X1	111	339124X1	407	355602X1	559
2629570W1	431	3009316X1	425	339169X1	267	355736X1	263
2629570W1	435	3009330X1	303	339369X1	361	355997X1	279
2629720W1	555	3009340X1	385	339369X1	675	355997X1	281
2630100W2	373	3009495X1	371	339374X1	267	356044X1	489
2630100W2	375	3009495X1	375	339374X1	407	356612X1	633
2630420W1R	521	3009495X1	379	339375X1	267	357194X1	573
2630430W1R	521	3009627X1	379	339375X1	303	357194X1	579
2630960W1	629	3009627X1	387	339375X1	405	357194X1	595
2631400W1	393	3009695X1	383	339375X1	407	358990X1	607
2631433W91	687	3009695X1	385	339376X1	171	360202X91	127
2631690W1	399	3009695X1	405	339376X1	227	360202X91	403
2631700W1	399	3009695X1	407	339376X1	277	360202X91	569
2632680W1	103	3009747X1	445	339376X1	371	360202X91	575
2632680W1	107	3009920X1	439	339376X1	375	360202X91	587
2632690W1	523	3010013X1	561	339376X1	379	360202X91	699
2633681W2	505	3010492X1	669	339376X1	379	360503X1	477
2634840W1	475	3010639X1	409	339376X1	387	360503X1	539
2635230W1	495	3010783X1	669	339376X1	439	360555X1	447
2635250W1R	521	3010842X1	385	339402X1	227	3617859M1	249
2635460W1	493	3011004X1	425	339402X1	277	3617860M1	249
2635690W1	713	3011004X1	667	339402X1	407	3619622M1	193
2636000W1	411	3015159X1	383	339402X1	439	3619622M1	207
2636010W1	411	3019124X1	383	339437X1	425	3619622M1	211
2636010W1	463	3019124X1	405	339474X1	425	3619622M1	213
2636170W1	335	3019124X1	405	339583X1	425	3619622M1	249
2636170W1	445	3019124X1	405	339666X1	143	363282X1	305
2636210W1	335	3019125X1	383	339666X1	407	363282X1	307
2636210W1	445	3019168X1	425	339679X1	407	363712X1	253

9790 COMBINE

Part No.	Page	Part No.	Page	Part No.	Page	Part No.	Page
3637625M1	63	3902603	553	61770	279	700701772	241
3638002M1	101	3903044M1	185	61770	281	700701814	555
364076X1	611	390734X1	439	62026	525	700701814	561
364125X1	47	390734X1	445	62026	525	700701834	557
364377X1	697	390734X1	55	62026	531	700701834	567
364578X1	429	390735X1	405	62026	531	700701834	583
364578X1	435	390735X1	407	62075	121	700702119	635
364578X1	441	3907674	257	62075	125	700702137	369
364988X1	449	390809X1	439	62182	523	700702137	639
365098X1	417	390912X1	339	62190	345	700702137	659
365098X1	493	390972X1	185	62232	315	700702141	341
365775X1	171	390972X1	189	63834	413	700702198	429
365775X1	263	391038X1	405	63834	597	700702358	121
365775X1	267	391038X1	407	64642	431	700702916	171
367451X1	279	391038X1	409	64642	441	700702979	181
367451X1	281	391039X1	189	6514772	153	700703830	241
3682177	103	391148X1	191	6522940	459	700703922	155
3682674	103	391212X1	383	6529705	113	700703922	279
368384X1	429	391290X1	405	6555346	413	700703922	305
368615X1	267	391290X1	407	6661624	689	700703922	331
368615X1	329	3913106	51	6661624	695	700703922	335
368615X1	493	3917892	99	68619	139	700703923	363
368933X1	279	391904X1	425	68619	295	700703923	507
3714264M1	239	391990X1	107	68619	297	700703923	687
3715144M92	249	3923060	105	68619	307	700704010	121
372536X1	143	3923060	99	68619	329	700704010	139
3725830M1	375	3926704	103	68619	383	700704010	339
3725830M1	393	3926704	99	68619	411	700704010	359
3725988M1	513	3929751	553	68619	413	700704010	453
372728X1	149	3942197	51	68619	449	700704010	467
372729X1	155	3965146	223	6875314	425	700704010	513
372729X1	215	3965146	257	6875314	429	700704837	717
372729X1	215	45080021	627	68759	395	700704854	417
372729X1	217	487777	121	68759	411	700704856	417
372729X1	315	5000002X1	439	68759	413	700704927	417
372729X1	477	5000003X1	439	68759	477	700705088	375
372729X1	477	5000004X1	439	68759	479	700705088	393
372729X1	575	5000004X1	445	68759	515	700705088	525
3728019M1	127	5000005X1	425	68759	517	700705088	531
3729528M1	245	5000005X1	667	700101804	561	700705088	715
3729545M1	247	5000006X1	283	700129058	505	700705119	573
3729545M1	247	5000006X1	425	700129071	511	700705119	579
373115X1	441	5000006X1	445	700134393	511	700705135	169
373124X1	359	5000007X1	667	700149006	285	700705185	165
373159X1	463	5000017X1	665	700164650	149	700705614	451
373197X1	715	5000017X1	669	700164650	195	700705676	157
373839X1	151	5000018X1	445	700525379	433	700706151	327
373839X1	157	50021	443	700525382	351	700706356	171
375028X1	267	50021	479	700525400	195	700706419	687
375028X1	299	50021	721	700700057	157	700706463	359
375028X1	315	50468	411	700700628	717	700706490	559
375028X1	431	50468	453	700701160	243	700707139	295
375028X1	435	50468	721	700701265	165	700707139	297
375028X1	441	510060W1	477	700701287	179	700707203	151
375028X1	723	51871M1	363	700701331	129	700707203	157
375098X1	253	52167	153	700701331	133	700707391	621
375112X1	115	52175	177	700701350	555	700707619	147
375112X1	345	530132M1	221	700701350	561	700707823	201
375114X1	419	530132M1	225	700701354	629	700707823	491
375114X1	423	539651M1	691	700701354	631	700708270	429
375114X1	431	539651M1	695	700701355	325	700708270	433
377690X1	483	539651M1	707	700701355	401	700708340	245
377690X1	485	590769M1	39	700701355	553	700708349	171
377690X1	493	590769M1	43	700701355	565	700708349	207
3778093M91	249	590817M1	41	700701355	569	700708349	363
385361X1	383	60049M1	421	700701355	617	700708349	387
385362X1	383	60049M1	425	700701356	553	700708349	405
385368X1	405	61002	127	700701356	561	700708349	425
385368X1	407	61085	471	700701356	569	700708349	677
385370X1	267	61101	453	700701356	617	700708349	679
385373X1	383	61234	387	700701744	553	700708351	363
385391X1	383	6131916	139	700701744	565	700708359	367
385391X1	385	6136964	475	700701753	555	700708367	111
3883284	105	61523	443	700701753	561	700708367	207
3883284	99	61523	445	700701772	233	700708367	49

INDEX

Part No.	Page	Part No.	Page	Part No.	Page	Part No.	Page
700708367	49	700716510	307	700721776	261	700728473	149
700708367	55	700717212	459	700721781	39	700728473	195
700708367	55	700717212	469	700721781	43	700728474	193
700708648	151	700717365	665	700721781	45	700728474	195
700708648	157	700717365	669	700721916	525	700728631	149
700708848	361	700717402	41	700721916	531	700728631	195
700709503	309	700717402	45	700722351	247	700728711	149
700709503	313	700717403	39	700722351	723	700728713	199
700709601	145	700717403	43	700723598	147	700728714	149
700709601	165	700717403	45	700724394	707	700728714	195
700709601	243	700717404	41	700724395	707	700728745	199
700709601	381	700717404	45	700724622	185	700728746	199
700709601	383	700717509	479	700724623	187	700728779	43
700709601	455	700717509	491	700724693	401	700728811	45
700709602	165	700717539	127	700724693	615	700728845	195
700709602	165	700717591	127	700725468	563	700728892	571
700709602	193	700717621	165	700725471	563	700728893	571
700709602	219	700717627	401	700725475	563	700728894	571
700709602	343	700717627	403	700725576	165	700728895	571
700709607	341	700717635	263	700725576	723	700728896	571
700709608	441	700717635	267	700725632	139	700728897	571
700709608	449	700717635	455	700725632	157	700728898	571
700709866	121	700717635	457	700725632	175	700728900	571
700709919	261	700717635	471	700725633	139	700728901	571
700710188	147	700717635	497	700725633	139	700728902	571
700710188	233	700717635	499	700725633	149	700728903	571
700710188	235	700717644	175	700725633	195	700728904	571
700710788	177	700717644	177	700725634	139	700728905	571
700710957	595	700717644	193	700725634	151	700728906	571
700710959	595	700717761	103	700725634	157	700728908	571
700710960	595	700717761	107	700725670	41	700728909	571
700710961	595	700717761	97	700725670	45	700728910	571
700710984	159	700718010	179	700725806	189	700728911	571
700711132	123	700718109	669	700725810	189	700728912	571
700711134	123	700718245	141	700725832	581	700728913	571
700711167	715	700718444	51	700725833	191	700729019	45
700711262	155	700718444	53	700725836	187	700729234	323
700711357	417	700718515	139	700725837	187	700729235	323
700711659	215	700718515	139	700725840	185	700729237	323
700711659	217	700718599	247	700725843	185	700729238	323
700711659	235	700718792	261	700725844	185	700729240	627
700711876	585	700718807	153	700725845	185	700729369	45
700712632	573	700718869	327	700725864	369	700729396	41
700712632	579	700719027	569	700725864	635	700729399	43
700712632	595	700719105	617	700725864	643	700729399	45
700712651	595	700719780	559	700725871	191	700729423	43
700712652	595	700719782	559	700725918	243	700729424	43
700712973	49	700719783	559	700725918	379	700729424	45
700712973	625	700719784	559	700725918	387	700729503	667
700713219	135	700719785	559	700725958	151	700730037	147
700713516	327	700719940	251	700725958	161	700929239	627
700714064	127	700720004	111	700725958	165	700953657	379
700714189	327	700720605	41	700726076	627	701235	111
700714528	139	700720605	43	700726168	247	701235	289
700714529	139	700720618	39	700726172	247	701235	293
700714529	517	700720618	43	700726543	109	701235	305
700714529	725	700720621	623	700726696	233	701235	307
700714706	517	700720727	41	700726978	401	701565	117
700715255	165	700720727	45	700726979	401	701565	121
700715255	251	700720863	233	700726979	615	701953	171
700715271	213	700720909	179	700727621	561	701953	239
700715277	141	700720917	623	700727622	565	7020027	513
700715278	141	700720958	337	700727841	43	7020589	45
700715285	141	700720958	341	700727843	43	70210011	665
700715662	327	700720958	341	700727844	45	70210011	669
700715848	553	700720958	353	700727847	45	70210012	665
700715848	561	700721125	39	700727848	43	70210012	669
700715848	569	700721125	41	700727848	45	702217	629
700715848	625	700721586	215	700727906	45	70225441	675
700715848	629	700721586	217	700727993	39	70226012	675
700715848	631	700721602	525	700727993	43	70226012	725
700715944	581	700721602	531	700728245	585	70228509	679
700716061	55	700721620	237	700728301	187	70228509	723
700716238	55	700721620	725	700728339	239	70232758	223
700716462	325	700721684	675	700728472	147	70232758	225

9790 COMBINE

13
INDEX

Part No.	Page	Part No.	Page	Part No.	Page	Part No.	Page
70232758	231	704031	283	705665	667	70914383	321
70232758	257	704031	285	705665	707	70914465	177
70234847	253	704031	285	705681	315	70914465	371
70241336	255	704056	115	705681	363	70914465	375
70241344	253	704056	285	70569880	239	70914465	391
70241345	253	704056	335	705707	119	70914465	443
70241352	255	704056	413	705707	139	70914465	447
7024938	105	7041015	207	705707	143	70914465	449
7024938	99	7041015	307	705707	347	70914465	633
7025075	547	7041015	575	705707	505	70914584	307
7025075	551	7041015	577	70590704	411	70914584	713
702514	429	7041015	579	70590704	423	70914584	713
70257297	101	7041015	585	70590704	461	70914584	725
70257297	105	704247	157	70590704	465	70914687	127
70257297	109	704247	171	70590704	469	70914687	417
70261383	559	704247	221	70590704	721	70914767	365
70262754	257	704247	221	70590709	419	70914767	445
70263605	185	704247	225	70590709	721	70915019	475
702670	393	704247	225	706176	503	70915276	365
70267132	559	704254	157	706382	225	70915276	633
70267148	559	704254	161	706432	139	70915314	603
70267150	559	704262	343	706432	521	70915314	605
70267155	559	704494	215	70714	337	70915314	607
70267167	559	704494	217	7087398	459	70915314	609
70268364	255	704551	147	7087398	727	70915314	611
70269246	101	704551	233	70901480	665	70915500	463
70269246	105	704551	235	70901480	667	70915500	467
70269246	109	704551	241	70901480	671	70915500	469
70269408V	97	704551	265	70901651	311	70915711	255
70269722	559	704551	269	70901651	675	70915726	301
70269723	559	704627	667	70901763	687	70915726	303
70270210	559	704692	689	70901828	513	70915726	333
70272355	559	704692	693	70901840	665	70915794	299
70272357	559	704858	689	70901840	667	70915935	299
70272358	559	704858	693	70901840	671	70915955	101
70272360	559	704858	701	70901840	673	70915955	105
70272361	559	705004	139	70903082	481	70915955	109
70272365	559	705004	169	70903082	485	70915955	247
7027469	691	705004	175	70903835	267	70915955	97
7027469	695	705004	221	70903835	299	70915988	115
7027469	707	705004	225	70903835	315	70915988	333
70276103	253	705012	113	70905126	267	70916079	547
702928	279	705012	119	70905126	299	70916080	551
70301781	285	705012	125	70905126	315	70916602	605
70301781	287	705012	129	70905127	395	70916621	121
70301781	293	705012	143	70905262	513	70916621	247
70301781	333	705038	131	70906852	385	70916621	247
70301781	335	705038	139	70910224	127	70916621	441
703082	329	705038	219	70910815	597	70916621	547
703249	101	705038	245	70911201	453	70916621	551
703249	113	705038	247	70911255	279	70916621	715
703249	117	705038	263	70911255	281	70916622	227
703249	131	705160	215	70912278	427	70916622	243
703249	139	705160	217	70912278	435	70916622	243
703249	161	705160	219	70912299	329	70916622	243
70327382	311	70522328	419	70913160	273	70916622	243
70327997	311	70522328	423	70913160	333	70916767	459
7035983	559	70529432	127	70913160	345	70916937	517
703603	499	70534931	295	70913160	363	70916950	101
703983	111	70534931	297	70913160	417	70916950	103
703983	111	70537291	121	70913160	47	70916950	107
703983	113	70537291	269	70913160	507	70916950	119
703983	341	70537291	471	70913160	53	70916950	131
703983	357	70537291	687	70913160	693	70916950	133
704007	119	70537291	715	70913680	713	70916950	139
704007	129	70547934	499	70913682	713	70916952	41
704007	205	705541	127	70913719	601	70916952	45
704007	247	705541	157	70913744	279	70916952	505
704007	317	705541	269	70913744	281	70916964	301
704007	343	705541	375	70913744	283	70916964	303
704007	347	705541	391	70913744	333	70916964	305
704031	115	705541	413	70913744	385	70916964	317
704031	165	705632	139	70913744	475	70916964	345
704031	279	705632	511	70914192	113	70916965	101
704031	281	705665	663	70914192	317	70916965	103

INDEX

Part No.	Page	Part No.	Page	Part No.	Page	Part No.	Page
70916965	107	70917861	289	70919062	585	70920333	625
70916965	117	70917861	293	70919062	675	70920397	301
70916965	117	70917919	121	70919089	263	70920397	303
70916965	119	70917970	119	70919089	267	70920397	713
70917356	103	70918111	167	70919089	289	70920415	111
70917356	103	70918111	315	70919089	319	70920415	131
70917356	105	70918151	243	70919089	353	70920415	133
70917356	107	70918151	319	70919089	443	70920415	139
70917356	107	70918151	347	70919089	695	70920415	159
70917356	109	70918168	443	70919128	575	70920426	239
70917356	117	70918199	111	70919128	579	70920438	153
70917365	121	70918199	301	70919135	291	70920469	395
70917372	103	70918199	303	70919140	291	70920469	453
70917372	103	70918213	321	70919171	291	70920469	459
70917372	107	70918222	151	70919171	365	70920655	633
70917372	107	70918222	159	70919171	625	70920787	123
70917372	117	70918249	121	70919171	633	70920787	337
70917372	119	70918249	521	70919173	633	70920787	339
70917372	119	70918264	121	70919195	129	70920808	211
70917373	113	70918264	715	70919195	133	70920808	213
70917373	115	70918264	717	70919195	573	70920809	51
70917373	139	70918265	265	70919197	553	70920821	171
70917373	151	70918265	451	70919197	561	70920990	491
70917373	155	70918265	477	70919197	619	70921024	157
70917373	157	70918265	99	70919197	621	70921024	429
70917373	267	70918266	107	70919214	171	70921024	435
70917377	129	70918266	121	70919214	557	70921050	713
70917377	235	70918266	123	70919214	567	70921050	723
70917377	345	70918266	171	70919214	583	70921159	557
70917377	355	70918266	177	70919214	685	70921159	565
70917377	379	70918267	301	70919272	211	70921159	573
70917377	387	70918267	303	70919272	47	70921159	583
70917378	117	70918267	305	70919310	263	70921160	133
70917378	119	70918268	257	70919312	257	70921160	137
70917378	157	70918268	279	70919332	127	70921169	329
70917378	179	70918268	301	70919332	301	70921169	331
70917378	223	70918268	303	70919332	303	70921169	373
70917378	227	70918268	305	70919332	47	70921176	111
70917380	121	70918268	331	70919332	491	70921176	111
70917380	243	70918268	431	70919332	53	70921176	113
70917380	245	70918268	435	70919342	51	70921176	333
70917380	347	70918269	363	70919378	547	70921176	335
70917380	457	70918269	47	70919381	167	70921176	337
70917380	525	70918269	53	70919387	315	70921176	339
70917380	531	70918431	111	70919391	315	70921203	569
70917380	715	70918431	111	70919393	299	70921203	629
70917385	257	70918431	113	70919431	597	70921203	631
70917395	215	70918431	169	70919434	285	70921205	127
70917395	217	70918431	223	70919434	287	70921205	305
70917395	233	70918432	113	70919434	293	70921205	307
70917395	235	70918432	115	70919434	355	70921205	553
70917395	237	70918432	283	70919434	361	70921205	555
70917415	231	70918432	285	70919434	371	70921205	561
70917421	177	70918432	287	70919434	447	70921206	553
70917421	385	70918433	417	70919439	385	70921206	555
70917421	469	70918433	507	70919472	129	70921206	561
70917421	471	70918447	121	70919472	133	70921206	565
70917421	479	70918447	383	70919472	137	70921206	569
70917458	265	70918447	451	70919624	553	70921206	573
70917458	269	70918447	463	70919889	671	70921210	103
70917459	235	70918447	465	70919889	673	70921210	107
70917459	265	70918447	477	70920037	355	70921210	111
70917459	269	70918452	115	70920117	321	70921210	117
70917467	323	70918452	119	70920117	323	70921210	117
70917579	677	70918452	123	70920161	151	70921211	419
70917579	679	70918452	171	70920161	165	70921211	423
70917580	485	70918452	283	70920272	689	70921214	129
70917642	107	70918455	417	70920272	693	70921214	133
70917642	121	70918459	181	70920272	701	70921214	369
70917642	135	70918459	299	70920328	279	70921214	553
70917642	137	70918459	339	70920328	281	70921214	555
70917642	141	70918461	341	70920328	337	70921214	561
70917642	167	70918547	121	70920328	481	70921214	629
70917673	105	70918830	489	70920328	485	70921214	637
70917673	99	70919062	291	70920328	489	70921217	629

9790 COMBINE

15
INDEX

Part No.	Page	Part No.	Page	Part No.	Page	Part No.	Page
70921221	177	70921865	169	70921969	177	70922837	567
70921235	553	70921880	113	70921969	179	70922837	579
70921235	625	70921880	257	70921969	273	70922837	583
70921235	629	70921880	603	70921969	281	70922845	111
70921235	631	70921881	605	70921971	101	70922862	365
70921263	267	70921881	613	70921971	123	70922862	633
70921263	299	70921882	559	70921971	419	70922863	513
70921263	315	70921883	401	70921971	423	70922874	705
70921279	129	70921883	553	70921971	435	70922887	687
70921279	561	70921883	555	70921971	481	70922890	689
70921279	569	70921883	561	70921971	519	70922890	693
70921279	705	70921883	561	70921971	523	70922918	695
70921291	141	70921883	569	70921971	523	70922928	265
70921295	689	70921884	617	70921977	129	70922928	269
70921295	691	70921885	223	70921977	133	70922974	569
70921295	695	70921885	227	70921977	161	70923014	425
70921297	555	70921885	291	70921977	161	70923014	429
70921297	567	70921885	325	70921977	165	70923014	435
70921298	291	70921885	325	70921978	393	70923027	629
70921298	325	70921885	365	70921978	401	70923027	631
70921298	401	70921885	401	70921978	617	70923086	405
70921298	553	70921887	561	70922002	363	70923093	405
70921298	561	70921887	625	70922002	689	70923094	115
70921298	573	70921887	625	70922002	693	70923094	283
70921298	579	70921887	625	70922037	111	70923094	333
70921298	617	70921888	625	70922037	113	70923094	443
70921298	705	70921898	699	70922037	285	70923094	445
70921324	341	70921910	513	70922037	287	70923104	375
70921324	343	70921911	201	70922037	293	70923111	285
70921324	371	70921911	205	70922080	381	70923111	301
70921324	375	70921911	211	70922127	321	70923111	303
70921326	553	70921911	213	70922127	323	70923111	417
70921326	565	70921911	51	70922127	363	70923111	687
70921327	555	70921911	55	70922127	397	70923112	151
70921327	567	70921912	103	70922127	397	70923112	155
70921328	569	70921912	107	70922130	151	70923112	487
70921332	103	70921912	625	70922130	157	70923112	687
70921332	107	70921912	631	70922130	483	70923113	303
70921332	109	70921912	97	70922181	553	70923114	267
70921332	117	70921915	207	70922181	565	70923114	329
70921332	119	70921958	381	70922285	431	70923114	341
70921333	105	70921958	419	70922522	401	70923114	345
70921333	135	70921958	423	70922523	325	70923114	361
70921333	137	70921958	455	70922523	553	70923114	371
70921333	167	70921958	469	70922523	555	70923114	375
70921333	167	70921958	683	70922523	565	70923126	273
70921343	321	70921958	717	70922523	569	70923151	301
70921349	127	70921958	717	70922571	569	70923151	431
70921349	129	70921959	199	70922571	575	70923151	441
70921349	133	70921959	205	70922571	587	70923151	443
70921349	135	70921959	431	70922586	353	70923151	445
70921349	315	70921960	165	70922632	629	70923154	311
70921349	403	70921960	291	70922645	127	70923154	681
70921349	569	70921961	581	70922645	339	70923163	401
70921360	331	70921962	393	70922645	347	70923163	603
70921360	335	70921962	547	70922645	471	70923163	705
70921360	443	70921962	551	70922658	337	70923219	413
70921360	687	70921963	579	70922664	139	70923219	663
70921364	573	70921963	583	70922664	267	70923219	667
70921364	583	70921963	619	70922664	315	70923220	421
70921368	129	70921963	621	70922664	329	70923220	423
70921368	133	70921963	715	70922664	47	70923220	457
70921467	705	70921965	151	70922664	53	70923220	459
70921472	573	70921965	175	70922760	341	70923220	481
70921472	583	70921965	179	70922770	417	70923220	485
70921525	359	70921965	219	70922771	279	70923220	501
70921671	379	70921965	247	70922784	497	70923230	329
70921671	449	70921965	263	70922786	381	70923230	695
70921691	569	70921966	337	70922786	427	70923240	315
70921691	625	70921966	341	70922786	453	70923240	493
70921691	629	70921966	419	70922786	455	70923306	295
70921719	223	70921966	423	70922786	457	70923306	297
70921719	225	70921966	465	70922786	497	70923320	477
70921719	555	70921966	469	70922786	503	70923325	337
70921719	565	70921969	123	70922837	555	70923325	353

INDEX

Part No.	Page	Part No.	Page	Part No.	Page	Part No.	Page
70923325	429	70923841	585	70925094	215	70925960	151
70923325	435	70923841	611	70925094	217	70925960	153
70923325	489	70923843	699	70925094	219	70925974	443
70923326	385	70923843	701	70925097	621	70925991	455
70923326	453	70923846	605	70925097	687	70925997	371
70923326	471	70923858	331	70925160	339	70925997	379
70923326	479	70923858	675	70925160	411	70925997	481
70923341	263	70923865	641	70925160	415	70925997	485
70923341	345	70923865	653	70925160	499	70926049	129
70923341	355	70923894	575	70925160	501	70926049	133
70923341	471	70923906	179	70925160	575	70926049	207
70923343	553	70923906	215	70925160	725	70926049	555
70923353	115	70923906	217	70925205	265	70926049	561
70923353	177	70923906	233	70925205	269	70926049	573
70923353	47	70923906	235	70925246	219	70926049	579
70923353	53	70923943	605	70925284	111	70926049	627
70923356	689	70923945	605	70925310	561	70926106	121
70923362	167	70924022	129	70925459	663	70926106	701
70923362	177	70924022	133	70925459	673	70926115	331
70923362	321	70924048	603	70925468	617	70926126	491
70923362	323	70924048	605	70925615	331	70926127	687
70923362	395	70924048	607	70925617	119	70926127	693
70923362	491	70924048	611	70925617	129	70926137	177
70923362	713	70924095	115	70925617	133	70926154	359
70923404	677	70924095	333	70925617	291	70926155	429
70923404	679	70924113	459	70925617	365	70926157	681
70923427	299	70924114	599	70925619	581	70926161	431
70923427	417	70924186	675	70925619	617	70926161	435
70923470	361	70924192	629	70925621	207	70926165	493
70923470	697	70924204	271	70925621	699	70926192	681
70923473	419	70924272	675	70925625	301	70926208	113
70923501	493	70924272	687	70925625	303	70926292	325
70923504	495	70924283	503	70925690	631	70926292	553
70923510	249	70924290	55	70925693	167	70926292	565
70923520	215	70924296	699	70925696	301	70926292	629
70923520	217	70924296	705	70925696	303	70926292	631
70923520	233	70924403	705	70925702	375	70926356	605
70923530	469	70924622	613	70925702	391	70926356	607
70923544	431	70924744	155	70925702	447	70926356	609
70923544	435	70924744	157	70925703	283	70926356	611
70923550	167	70924744	47	70925703	285	70926533	629
70923558	613	70924744	53	70925703	287	70926533	631
70923559	233	70924746	697	70925703	293	70926533	699
70923577	297	70924763	363	70925703	333	70926542	605
70923584	297	70924764	529	70925703	475	70926551	665
70923588	253	70924764	535	70925704	113	70926551	677
70923594	681	70924783	555	70925704	139	70926622	199
70923683	263	70924783	561	70925704	283	70926626	297
70923690	633	70924783	705	70925704	285	70926647	289
70923690	671	70924786	305	70925704	371	70926694	279
70923690	673	70924791	559	70925705	375	70926694	477
70923690	675	70924799	457	70925705	391	70926762	649
70923690	687	70924837	125	70925705	417	70926762	661
70923701	339	70924837	265	70925706	335	70926768	325
70923701	371	70924837	269	70925706	447	70926838	279
70923701	391	70924837	269	70925706	449	70926838	281
70923701	483	70924837	271	70925719	113	70926838	413
70923701	541	70924837	455	70925719	689	70926838	429
70923717	603	70924845	289	70925719	691	70926838	437
70923737	555	70924856	217	70925719	699	70926850	575
70923737	561	70924856	217	70925721	695	70926850	583
70923737	567	70924856	265	70925731	171	70926874	239
70923737	579	70924856	319	70925731	689	70926919	171
70923737	625	70924856	381	70925785	363	70926919	633
70923808	635	70924906	429	70925806	663	70926919	683
70923808	647	70924946	39	70925806	707	70926919	685
70923808	655	70924946	43	70925834	629	70926946	111
70923813	297	70924947	199	70925852	553	70926957	443
70923816	665	70924947	205	70925852	561	70926977	453
70923816	669	70925011	599	70925852	619	70927029	253
70923816	677	70925011	603	70925852	621	70927034	713
70923816	679	70925011	611	70925863	693	70927034	725
70923818	679	70925094	185	70925872	53	70927035	713
70923828	289	70925094	193	70925872	693	70927035	725
70923831	289	70925094	207	70925919	675	70927075	265

9790 COMBINE

17
INDEX

Part No.	Page	Part No.	Page	Part No.	Page	Part No.	Page
70927097	119	70928512	713	70930760	199	70931942	175
70927097	235	70928605	605	70930760	205	70931942	177
70927103	177	70928605	647	70930777	603	70931942	481
70927103	725	70928605	649	70930777	611	70931942	485
70927104	221	70928605	655	70930791	221	70932612	385
70927104	225	70928605	657	70930879	625	70932619	315
70927122	139	70928605	705	70930883	663	70932665	113
70927134	219	70928635	509	70930883	669	70932665	115
70927134	319	70928654	171	70930884	663	70932665	139
70927134	411	70928654	633	70930884	669	70932665	283
70927134	617	70928656	129	70930889	695	70932665	285
70927261	131	70928656	133	70930897	607	70932665	285
70927261	133	70928656	175	70930897	635	70932665	287
70927321	681	70928656	401	70930897	647	70932720	241
70927340	555	70928656	403	70930897	655	70932747	185
70927340	565	70928656	633	70930911	675	70932747	191
70927401	145	70928705	501	70930911	677	70932996	481
70927401	153	70929018	329	70930986	257	70932996	485
70927401	317	70929019	689	70930999	633	70932997	481
70927401	347	70929095	459	70931187	453	70932997	485
70927401	713	70929116	307	70931209	151	70933036	121
70927469	681	70929257	625	70931209	159	70933255	559
70927477	315	70929288	111	70931209	161	70933339	405
70927477	477	70929356	419	70931209	219	70933339	407
70927523	125	70929356	423	70931209	235	70933375	329
70927523	451	70929356	431	70931209	243	70933454	135
70927523	461	70929356	441	70931226	513	70933454	137
70927523	465	70929402	129	70931240	629	70933454	573
70927523	477	70929402	131	70931277	127	70933454	579
70927529	689	70929402	133	70931277	143	70933817	665
70927557	275	70929402	171	70931277	151	70933817	671
70927692	123	70929402	51	70931277	153	70933818	597
70927700	559	70929402	55	70931277	165	70933955	305
70927708	421	70929591	525	70931277	167	70933988	453
70927732	417	70929591	531	70931316	451	70933988	457
70927738	177	70929593	115	70931316	451	70933988	539
70927738	725	70929593	283	70931316	453	70934063	561
70927745	297	70929593	285	70931316	461	70934417	667
70927879	697	70929593	287	70931316	465	70934417	673
70927903	603	70929593	293	70931317	119	70934422	667
70927903	605	70929593	315	70931317	243	70934424	673
70927974	611	70929593	333	70931317	243	70934479	161
70927999	609	70929593	443	70931317	245	70934479	469
70928136	111	70929593	445	70931317	263	70934704	697
70928148	131	70929594	345	70931348	337	70934704	697
70928148	133	70929595	525	70931348	351	70934728	221
70928148	193	70929595	531	70931348	461	70934728	225
70928148	207	70929602	673	70931350	269	70934728	231
70928148	575	70929720	175	70931350	381	70934739	221
70928148	579	70929722	247	70931350	461	70934739	723
70928148	617	70929725	219	70931350	465	70934740	221
70928178	681	70929748	225	70931350	469	70934740	723
70928304	153	70929748	631	70931350	481	70934842	485
70928348	247	70929785	701	70931350	491	70934892	141
70928348	723	70929807	221	70931350	517	70934892	517
70928352	465	70929807	225	70931449	505	70934923	315
70928367	449	70929872	701	70931589	641	70935032	305
70928397	279	70929957	171	70931589	653	70935033	289
70928397	281	70930224	617	70931640	629	70935035	293
70928464	211	70930235	279	70931643	371	70935036	285
70928464	213	70930357	585	70931809	385	70935036	287
70928486	369	70930368	625	70931809	429	70935072	239
70928486	635	70930415	297	70931809	435	70935118	559
70928486	643	70930424	681	70931809	453	70935275	275
70928486	647	70930426	681	70931810	385	70935275	277
70928486	655	70930441	559	70931810	453	70935275	319
70928488	369	70930510	553	70931820	517	70935290	333
70928488	369	70930510	561	70931822	131	70935299	285
70928488	559	70930594	161	70931822	133	70935299	287
70928488	563	70930594	383	70931822	207	70935299	293
70928488	643	70930611	145	70931822	207	70935299	333
70928488	643	70930611	147	70931832	715	70935416	213
70928488	649	70930708	243	70931833	221	70935416	291
70928512	301	70930757	301	70931833	225	70935426	221
70928512	303	70930757	303	70931833	231	70935426	725

INDEX

Part No.	Page	Part No.	Page	Part No.	Page	Part No.	Page
70935768	555	70937253	433	70937660	141	71130258	297
70935768	561	70937253	439	70937660	145	71130258	723
70935781	603	70937254	439	70937660	145	71133361	127
70935781	675	70937263	147	70937660	145	71133361	723
70935830	605	70937280	145	70937660	147	71148120	209
70935836	559	70937280	145	70937660	147	71148120	49
70935847	559	70937280	161	70937676	683	71148120	53
70935902	605	70937280	169	70937677	215	71148120	711
70935902	609	70937280	233	70937677	217	71148120	723
70935902	611	70937280	383	70937677	221	71149388	713
70935989	561	70937294	395	70937677	225	71149388	725
70936104	491	70937295	199	70937677	247	71149894	301
70936296	433	70937295	205	70937677	47	71149894	303
70936298	707	70937295	207	70937677	55	71149894	713
70936306	689	70937296	207	70937682	215	71149894	725
70936306	693	70937297	207	70937682	217	71149895	301
70936314	245	70937297	209	70937682	617	71149895	303
70936314	247	70937300	301	70937682	687	71149895	713
70936314	339	70937300	303	70937684	219	71149895	725
70936314	351	70937300	713	70937684	221	71149896	301
70936314	507	70937300	725	70937684	225	71149896	303
70936314	579	70937347	289	70937684	51	71149896	315
70936326	243	70937348	289	70937684	55	71149896	713
70936326	675	70937424	199	70937685	215	71149896	725
70936348	345	70937424	205	70937685	217	71149992	713
70936348	507	70937461	285	70937685	219	71149992	723
70936419	689	70937461	287	70937685	221	71149999	301
70936419	695	70937461	293	70937685	243	71149999	713
70936467	575	70937465	115	70937691	247	71151362	717
70936472	175	70937465	283	70937712	51	71154722	279
70936472	177	70937465	285	70937714	517	71154722	281
70936473	131	70937465	287	70937715	483	71154722	329
70936473	577	70937465	293	70937716	443	71154722	331
70936474	207	70937465	333	70937727	459	71154722	721
70936474	211	70937465	443	70937730	145	71157144	471
70936474	213	70937465	445	70950002	405	71157144	723
70936474	47	70937480	301	70950037	209	71160040	677
70936498	559	70937480	391	70950038	209	71160040	679
70936525	453	70937498	133	70950038	209	71160055	681
70936592	145	70937534	691	70950038	49	71160067	677
70936592	219	70937548	301	70950038	49	71160067	679
70936592	247	70937548	303	70950046	47	71160085	681
70936747	513	70937550	165	70950052	47	71160303	677
70936765	103	70937550	239	70950052	675	71160303	679
70936765	107	70937550	251	70950052	677	71161396	297
70936765	129	70937603	301	70950052	679	71162565	677
70936765	239	70937603	303	70950220	209	71162781	665
70936774	211	70937603	713	70950220	209	71162781	669
70936774	49	70937605	237	70950377	665	71162782	665
70936778	121	70937605	725	70950382	681	71162782	669
70936778	215	70937606	237	70950388	663	71166170	665
70936778	219	70937606	725	70950394	683	71166170	669
70936778	263	70937607	237	70950417	665	71166171	665
70936778	269	70937607	725	70950420	697	71166171	669
70936813	193	70937608	237	70950453	47	71166172	665
70937005	329	70937608	725	70950453	53	71166172	669
70937005	445	70937609	193	70950453	553	71169204	707
70937005	689	70937609	201	70950453	683	71170388	691
70937005	695	70937609	237	70950490	681	71170388	695
70937010	333	70937609	725	70950717	223	71170388	707
70937101	349	70937610	237	70950945	209	71170390	691
70937101	455	70937610	725	70950945	209	71170390	695
70937101	505	70937646	289	70951055	213	71170390	707
70937101	517	70937649	515	70951067	99	71173328	257
70937133	129	70937649	525	71012174	559	71173857	297
70937133	131	70937649	529	71122510	413	71174391	289
70937133	133	70937649	531	71122510	721	71174391	305
70937133	215	70937649	535	71124448	457	71174718	605
70937133	217	70937650	511	71127313	411	71174718	609
70937179	513	70937650	515	71127313	457	71175918	691
70937253	419	70937650	517	71127313	461	71175918	695
70937253	423	70937650	531	71127313	467	71175918	707
70937253	427	70937658	239	71127313	469	71175919	691
70937253	427	70937658	243	71127313	723	71175919	695
70937253	431	70937660	141	71130258	295	71175919	707

9790 COMBINE

19
INDEX

Part No.	Page	Part No.	Page	Part No.	Page	Part No.	Page
71175961	677	71190960	503	71309117	303	71330802	333
71175961	679	71191799	211	71309117	413	71332011	291
71175962	677	71192243	395	71309117	721	71332011	365
71175962	679	71192243	413	71309514	663	71333276	253
71175963	677	71192243	723	71309514	667	71333299	255
71175963	679	71193260	247	71309515	663	71333904	253
71176951	605	71194263	115	71309515	667	71334329	573
71176951	607	71194263	333	71309766	289	71334329	579
71176962	605	71194367	459	71309767	371	71334986	691
71176962	609	71195328	677	71309767	379	71334986	693
71176963	607	71195328	679	71309767	445	71334988	689
71176964	605	71195913	329	71309768	115	71334988	693
71176964	607	71195913	721	71309768	283	71334989	689
71176964	609	71197117	283	71309768	287	71334989	693
71176964	611	71197117	285	71309768	333	71335184	295
711770	177	71197117	287	71309768	725	71335184	297
711770	721	71197117	293	71310379	663	71335184	721
71177385	679	71197117	333	71310379	667	71335195	329
71177386	679	71197117	475	71310976	265	71335195	331
71178962	111	71197323	285	71310976	269	71335689	353
71179395	295	71197376	451	71311456	665	71335690	315
71179395	297	712208	679	71311456	671	71335782	675
71181443	335	71300327	609	71312323	665	71335783	675
71182840	283	71300327	611	71312323	667	71335784	675
71182840	285	71300507	679	71312323	671	71336386	119
71182840	335	71300509	677	71312323	673	71337414	223
71182840	475	71302422	613	71312602	115	71337414	227
71183535	675	71302467	677	71312602	283	71338308	689
71183746	675	71302468	677	71312602	287	71338308	693
71183747	675	71302469	677	71312602	289	71338651	691
71183750	675	71302470	677	71312602	333	71338789	691
71183757	665	71302471	677	71312602	373	71338789	693
71183757	669	71304149	265	71312602	379	71338799	691
71183828	675	71304149	269	71312602	445	71338799	693
71183839	677	71304149	541	71312603	113	71339238	665
71184133	677	71304261	663	71312603	115	71339238	667
71184134	677	71304261	669	71312603	289	71339238	673
71184135	677	71304262	663	71312819	289	71339847	119
71184144	677	71304263	663	71312823	289	71339847	141
71184144	679	71304264	663	71314321	329	71339847	525
71184145	675	71304266	663	71314321	331	71339847	531
71184147	675	71304266	669	71314321	725	71340437	665
71184148	675	71304267	663	71314481	663	71340437	667
71184188	707	71304267	669	71314481	669	71341448	395
71184401	609	71304271	665	71314833	315	71341450	395
71184409	609	71304271	669	71314842	315	71341450	725
71184415	605	71304292	665	71314999	317	71342216	219
71184418	605	71304292	669	71315780	385	71342216	243
71184418	607	71304362	115	71315780	413	71342216	675
71184418	609	71304362	333	71315785	385	71342217	675
71184418	611	71305916	517	71315785	413	71342768	139
71186166	411	71306949	185	71315999	301	71343344	47
71186745	677	71306949	725	71315999	303	71343344	507
71186745	679	71307131	517	71315999	721	71343344	53
71186746	677	71307132	517	71317628	679	71344597	681
71186746	679	71307626	689	71317841	267	71344598	681
71186814	513	71308156	285	71317841	299	71344647	285
71188145	245	71308156	293	71317841	315	71344649	285
71188145	459	71308156	725	71318052	331	71344833	457
71188145	461	71308770	419	71319846	253	71345822	517
71188145	465	71308770	423	71323575	501	71345898	397
71188503	603	71308770	429	71325523	727	71345898	727
71188503	605	71308770	435	71325553	395	71346267	113
71188503	607	71308770	441	71326336	507	71346267	285
71188503	609	71308770	721	71327160	257	71346267	287
71188503	611	71308951	127	71327595	663	71346267	293
71188503	613	71308951	431	71327984	455	71346267	333
71188504	603	71308951	433	71328361	291	71346998	119
71188504	605	71308951	439	71328361	585	71347777	681
71188504	607	71308951	441	71328362	575	71347780	681
71188504	609	71308951	721	71328362	585	71347782	681
71188504	611	71308984	469	71328365	291	71347910	231
71188504	723	71308984	721	71328365	575	71348314	415
71188949	457	71308995	457	71328365	585	71348455	665
71190292	677	71309117	301	71328912	707	71348455	707

INDEX

Part No.	Page	Part No.	Page	Part No.	Page	Part No.	Page
71348560	41	71356061	725	71363526	303	71369761	207
71348560	45	71356067	283	71363845	177	71369761	725
71349270	115	71356529	113	71364016	597	71369762	209
71349270	287	71356529	641	71364024	597	71369877	101
71349270	293	71356529	653	71364349	141	71369877	105
71349270	333	71356938	283	71364946	713	71369877	109
71349763	525	71358545	641	71364946	725	71370120	301
71349763	531	71358545	653	71365064	329	71370120	303
71349811	287	71358564	575	71365064	331	71370121	301
71349811	293	71359538	681	71365065	331	71370121	303
71349811	333	71359545	691	71365101	605	71370121	723
71349813	115	71359772	689	71365101	609	71370165	111
71349813	287	71359841	689	71365102	589	71370232	41
71349813	293	71359841	693	71365114	589	71370232	45
71349813	333	71359864	697	71365245	575	71370306	223
71350535	471	71359865	697	71365245	589	71370306	257
71350536	471	71359889	705	71365245	691	71370496	301
71351200	395	71359890	705	71365312	687	71370496	303
71351285	211	71359891	705	71365412	39	71370496	727
71351285	47	71359897	701	71365412	43	71370508	141
71351389	175	71359912	703	71365476	239	71370570	257
71351392	257	71359922	703	71365477	239	71370634	301
71351816	727	71359923	703	71365880	575	71370634	303
71351859	97	71359927	703	71365883	575	71370634	723
71352670	581	71359946	703	71366126	589	71370808	257
71352828	265	71360326	253	71366127	589	71370813	253
71352828	269	71360328	253	71366540	47	71370852	257
71352945	559	71360330	253	71366540	53	71370854	257
71353127	283	71360331	253	71367032	119	71370855	257
71353127	373	71360332	253	71367037	47	71370856	257
71353127	379	71360333	253	71367037	53	71370858	257
71354306	691	71360334	253	71367308	313	71370859	257
71354306	693	71360335	253	71367309	309	71370860	257
71354345	477	71360336	253	71367309	313	71370861	257
71354636	415	71360337	253	71367312	313	71370862	257
71354855	309	71360338	253	71367314	313	71370863	257
71354855	311	71360341	253	71367316	313	71370864	257
71354856	311	71360342	253	71367317	309	71370865	257
71354859	309	71360343	255	71367317	313	71370866	257
71354859	311	71360344	255	71367320	309	71370867	257
71354861	309	71360345	255	71367320	313	71370868	257
71354861	311	71360348	253	71367323	309	71370872	257
71354863	309	71360349	253	71367323	313	71370874	257
71354863	311	71360350	253	71367324	309	71370877	257
71354864	311	71360378	253	71367324	313	71370878	257
71354865	309	71360379	255	71367526	313	71370879	257
71354865	311	71360381	253	71367528	309	71370880	257
71355001	311	71360382	253	71367528	313	71370881	257
71355063	687	71361243	609	71367529	311	71370926	665
71355063	701	71361312	609	71368074	41	71370926	667
71355339	635	71361355	613	71368074	45	71370926	707
71355339	647	71361357	613	71368570	283	71370926	727
71355339	655	71361358	613	71368598	455	71370934	707
71355340	643	71361359	613	71368741	129	71371331	199
71355340	651	71361361	613	71368741	133	71371331	205
71355384	661	71361364	613	71368741	137	71371332	203
71355395	699	71361367	613	71368761	283	71371332	205
71355604	161	71361368	613	71368951	97	71371333	199
71356058	283	71361406	707	71368953	103	71371333	205
71356058	443	71361720	171	71368953	107	71371336	199
71356058	445	71361831	165	71368961	101	71371336	205
71356060	115	71361940	171	71368961	105	71371338	199
71356060	283	71361941	171	71368961	109	71371338	205
71356060	285	71361947	171	71368962	101	71371343	199
71356060	287	71362149	575	71368962	105	71371343	205
71356060	293	71362390	139	71368962	109	71371346	199
71356060	333	71362391	139	71368963	101	71371346	205
71356060	475	71362525	153	71368963	105	71371347	199
71356060	723	71362539	613	71368963	109	71371347	205
71356061	283	71362813	241	71368991	291	71371349	199
71356061	285	71362941	307	71369299	665	71371520	359
71356061	287	71362941	311	71369299	669	71371520	721
71356061	293	71362941	313	71369307	671	71371526	359
71356061	333	71362970	457	71369307	673	71371526	721
71356061	475	71363526	301	71369670	51	71371720	41

9790 COMBINE

21
INDEX

Part No.	Page	Part No.	Page	Part No.	Page	Part No.	Page
71371720	45	71374840	635	71374894	637	71376825	725
71372132	691	71374840	643	71374894	649	71376888	301
71372132	695	71374840	647	71374894	657	71376907	321
71372133	691	71374840	655	71374895	637	71376908	321
71372133	695	71374841	643	71374895	649	71376909	321
71372724	207	71374842	639	71374895	657	71377109	179
71372724	233	71374842	643	71374896	637	71377109	725
71372724	727	71374842	651	71374896	649	71377310	301
71372880	51	71374843	639	71374896	657	71377310	303
71372880	723	71374843	643	71374897	637	71377407	677
71373126	199	71374843	651	71374897	649	71377408	677
71373127	199	71374844	639	71374897	657	71377410	679
71373127	205	71374844	643	71374898	637	71377411	679
71373144	195	71374844	651	71374898	649	71377412	679
71373144	201	71374845	639	71374900	637	71377413	679
71373144	203	71374845	643	71374900	649	71377414	679
71373144	205	71374845	651	71374900	657	71377415	679
71373145	195	71374846	639	71374901	641	71377416	679
71373146	199	71374846	643	71374901	653	71377417	679
71373146	205	71374846	651	71374904	639	71377418	679
71373403	619	71374847	639	71374904	651	71377419	675
71373403	621	71374847	643	71374907	641	71377420	675
71373513	503	71374847	651	71374908	641	71377531	675
71373538	555	71374848	643	71374908	653	71377534	679
71373538	565	71374849	643	71374908	661	71377535	679
71373538	617	71374853	637	71374909	641	71377548	677
71373684	415	71374853	649	71374909	653	71377549	679
71373693	457	71374853	657	71374909	661	71377709	675
71373962	321	71374855	637	71374915	635	71377710	677
71374425	265	71374855	657	71374915	639	71377711	679
71374425	269	71374857	637	71374915	641	71377712	679
71374564	101	71374859	635	71374915	647	71377713	679
71374564	105	71374859	647	71374918	635	71377714	679
71374564	109	71374859	655	71374918	647	71377715	679
71374565	101	71374860	641	71374918	655	71377716	679
71374565	105	71374860	653	71374932	315	71377717	681
71374565	109	71374865	641	71374958	639	71377718	681
71374663	319	71374866	641	71374958	651	71377719	681
71374666	319	71374867	641	71374959	651	71377720	681
71374667	319	71374868	635	71374960	641	71377721	681
71374669	319	71374870	637	71374960	653	71377722	679
71374670	319	71374870	649	71374961	661	71377723	679
71374671	321	71374870	657	71374963	637	71377941	631
71374672	315	71374872	639	71374967	635	71377945	599
71374674	315	71374872	651	71374967	643	71378013	433
71374776	321	71374875	639	71374967	647	71378014	491
71374778	321	71374875	651	71374968	643	71378016	273
71374779	321	71374876	639	71374970	643	71378019	359
71374781	321	71374876	651	71375122	317	71378021	343
71374782	321	71374877	639	71375335	301	71378022	343
71374785	609	71374877	651	71375335	303	71378025	341
71374790	611	71374879	639	71375388	265	71378060	101
71374793	611	71374879	651	71375388	271	71378104	225
71374794	611	71374880	639	71375556	315	71378250	381
71374796	315	71374880	651	71375559	315	71378364	171
71374798	315	71374881	639	71375564	315	71378364	173
71374803	319	71374881	651	71375751	671	71378441	119
71374807	321	71374881	659	71375752	671	71378577	359
71374807	323	71374882	639	71375902	237	71378579	359
71374808	321	71374882	651	71375911	245	71378711	715
71374808	323	71374883	639	71376042	457	71378711	727
71374816	315	71374883	651	71376154	389	71378873	279
71374827	643	71374883	659	71376154	397	71378873	305
71374828	643	71374884	639	71376157	389	71378873	477
71374831	369	71374884	651	71376158	397	71379103	295
71374831	635	71374884	659	71376170	389	71379105	285
71374831	637	71374886	639	71376312	501	71379105	711
71374831	643	71374886	651	71376324	503	71379105	721
71374831	647	71374886	655	71376349R	503	71379126	41
71374831	655	71374890	641	71376350	511	71379126	45
71374834	637	71374890	653	71376446	683	71379126	473
71374834	643	71374890	661	71376758P	413	71379127	39
71374834	649	71374891	641	71376825	243	71379127	41
71374836	635	71374891	653	71376825	319	71379127	43
71374836	647	71374892	641	71376825	347	71379127	45

INDEX

Part No.	Page	Part No.	Page	Part No.	Page	Part No.	Page
71379127	521	71382758	723	71385907	675	71387337	353
71379127	527	71382759	385	71385996	119	71387351	381
71379127	529	71382759	723	71386129	327	71387355	389
71379128	39	71382868	443	71386139	129	71387357	389
71379128	41	71382868	445	71386139	133	71387375	413
71379128	43	71382871	115	71386140	129	71387393	361
71379128	45	71382871	443	71386140	133	71387393	367
71379128	525	71382871	445	71386169	351	71387408	233
71379128	531	71382933	485	71386195	381	71387413	233
71379129	39	71382983	289	71386353	633	71387414	235
71379129	41	71382983	293	71386394	427	71387414	701
71379129	43	71382985	289	71386394	439	71387416	233
71379129	45	71383233	101	71386400	413	71387417	233
71379129	473	71383233	97	71386414	555	71387418	239
71379129	521	71383653	185	71386414	565	71387419	249
71379130	39	71383661	187	71386436	209	71387420	163
71379130	43	71383662	187	71386436	53	71387420	239
71379132	41	71383667	185	71386557	603	71387422	239
71379132	43	71383667	189	71386557	609	71387423	239
71379132	515	71383673	189	71386572	609	71387424	239
71379134	263	71383736	381	71386574	645	71387453	339
71379134	267	71383737	381	71386574	647	71387454	337
71379249	381	71383783	263	71386668	279	71387455	339
71379254	363	71383783	267	71386669	279	71387459	339
71379254	517	71383783	271	71386773	521	71387463	339
71379260	389	71383785B	263	71386805	231	71387464	339
71379261	389	71383785B	267	71386806	231	71387465	339
71379303	553	71383914	243	71386807	223	71387466	339
71379303	561	71383932	387	71386807	231	71387470	361
71379304	553	71383932	725	71386866	681	71387515	371
71379304	561	71383934	387	71386867	681	71387517	331
71379306	603	71383934	727	71386880	111	71387523	331
71379323	235	71384272	199	71386886	97	71387538	463
71379325	603	71384272	205	71386887	97	71387546	411
71379325	605	71384284	699	71386890	105	71387552	715
71379434	41	71384406	597	71386890	99	71387553	715
71379519	333	71384407	597	71386895	99	71387554	715
71379520	333	71384411	597	71386986	47	71387576	337
71379601	207	71384412	597	71386989	47	71387577	337
71379601	209	71384413	597	71386992	47	71387578	337
71379601	49	71384414	597	71387142	177	71387580	337
71379601	53	71384551	201	71387145	179	71387584	337
71379601	721	71384551	205	71387148	177	71387587	339
71379631	305	71384552	199	71387152	139	71387625	97
71379631	307	71384552	205	71387177	171	71387643	117
71379701	175	71384553	203	71387178	171	71387644	117
71379811	405	71384555	203	71387181	171	71387650	97
71379824	483	71384556	203	71387185	139	71387676	429
71379824	487	71384558	203	71387186	139	71387676	437
71379825	481	71384558	205	71387195	141	71387677	429
71379825	485	71384836	279	71387205	177	71387677	437
71380028	297	71384878	707	71387266	141	71387678	427
71380043	297	71384879	707	71387267	165	71387678	437
71380423	263	71384912	475	71387268	165	71387700	351
71380460	289	71384922	469	71387271	161	71387703	411
71380463	297	71385055	209	71387272	161	71387703	413
71380468	115	71385055	49	71387273	161	71387703	427
71380905	297	71385108	243	71387274	165	71387703	435
71380994	471	71385633	265	71387275	165	71387703	439
71381213	431	71385633	269	71387278	161	71387704	411
71381680	301	71385690	471	71387279	161	71387710	411
71381682	301	71385694	475	71387280	161	71387730	47
71381682	303	71385697	475	71387281	161	71387749	41
71382053	289	71385793	41	71387292	139	71387749	45
71382055	289	71385801	475	71387293	179	71387749	99
71382057	289	71385801	711	71387295	163	71387755	117
71382057	293	71385801	721	71387297	163	71387759	515
71382256	385	71385802	471	71387297	723	71387761	515
71382257	385	71385836	373	71387307	375	71387797	121
71382269	383	71385837	371	71387307	391	71387797	193
71382607	319	71385837	711	71387325	471	71387797	211
71382694	49	71385837	721	71387329	347	71387797	577
71382716	443	71385907	219	71387334	353	71387797	587
71382716	445	71385907	235	71387335	353	71387798	401
71382758	385	71385907	243	71387336	353	71387801	389

Part No.	Page	Part No.	Page	Part No.	Page	Part No.	Page
71387803	349	71388233	275	71388940	457	71389710	497
71387807	349	71388234	275	71388942	517	71389729	623
71387826	351	71388237	263	71388944	517	71389731	623
71387842	381	71388237	267	71388967	381	71389732	623
71387845	375	71388239	295	71388968	427	71389733	623
71387846	381	71388248	265	71388968	439	71389737	603
71387848	375	71388248	271	71388972	429	71389740	401
71387848	391	71388256	375	71388973	429	71389741	401
71387872	341	71388256	391	71388973	435	71389742	401
71387891	279	71388265	427	71388974	429	71389743	401
71387894	301	71388301	341	71388975	431	71389743	615
71387894	303	71388302	341	71388975	441	71389746	223
71387895	301	71388312	341	71388998	51	71389746	227
71387895	303	71388314	341	71389053	349	71389746	629
71387896	301	71388315	341	71389055	351	71389747	609
71387896	303	71388318	341	71389057	351	71389754	219
71387896	713	71388321	343	71389084	341	71389754	575
71387896	725	71388322	347	71389158	141	71389765	363
71387900	263	71388351	419	71389158	41	71389766	633
71387900	267	71388351	423	71389158	45	71389769	629
71387908	231	71388391	249	71389182	441	71389775	685
71387975	119	71388439	353	71389184	431	71389784	513
71387996	125	71388441	353	71389184	441	71389785	513
71388052	363	71388442	353	71389185	431	71389811	233
71388056	401	71388451	355	71389185	441	71389812	237
71388056	403	71388453	353	71389212	339	71389813	237
71388061	121	71388458	355	71389221	279	71389814	237
71388062	121	71388459	353	71389229	683	71389815	237
71388063	119	71388465	355	71389230	683	71389818	243
71388063	207	71388466	353	71389232	683	71389818	675
71388064	119	71388476	427	71389233	683	71389842	455
71388071	129	71388476	439	71389235	683	71389862	419
71388072	131	71388483	419	71389268	687	71389862	423
71388073	131	71388483	423	71389309	221	71389863	419
71388073	133	71388490	419	71389309	225	71389863	423
71388076	207	71388490	423	71389310	231	71389910	97
71388081	557	71388494	427	71389313	221	71389997	405
71388085	555	71388494	439	71389313	225	71389997	407
71388086	555	71388712	375	71389319	247	71390000	411
71388086	561	71388712	711	71389344	317	71390005	343
71388089	121	71388712	721	71389356	689	71390079	111
71388093	627	71388713	707	71389362	689	71390080	113
71388098	401	71388717	393	71389381	689	71390081	113
71388099	401	71388736	375	71389385	689	71390082	113
71388100	401	71388736	391	71389386	689	71390084	111
71388100	403	71388739	493	71389394	689	71390087	113
71388129	167	71388748	371	71389394	697	71390090	111
71388131	169	71388751	513	71389405	49	71390091	111
71388133	233	71388752	513	71389405	53	71390092	113
71388133	237	71388826	401	71389409	47	71390093	417
71388136	145	71388826	403	71389410	105	71390101	401
71388142	167	71388829	363	71389410	99	71390101	403
71388149	167	71388833	363	71389428	419	71390122	161
71388152	167	71388843	363	71389428	423	71390148	503
71388154	167	71388844	363	71389429	419	71390152	501
71388157	189	71388852	111	71389429	423	71390157	501
71388167	139	71388852	645	71389451	381	71390178	331
71388178	183	71388856	207	71389473	381	71390179	687
71388188	193	71388864	553	71389474	381	71390183	333
71388189	139	71388864	559	71389509	173	71390185	469
71388202	329	71388873	113	71389511	173	71390188	333
71388206	331	71388873	635	71389512	173	71390188	709
71388207	335	71388876	47	71389513	173	71390188	721
71388209	335	71388877	209	71389514	173	71390190	333
71388212	335	71388877	49	71389515	173	71390191	495
71388213	335	71388880	121	71389516	173	71390196	443
71388216	335	71388882	121	71389522	493	71390196	445
71388216	709	71388883	99	71389602	687	71390199	443
71388216	721	71388887	99	71389611	331	71390199	445
71388217	285	71388895	47	71389638	285	71390199	709
71388217	335	71388895	53	71389638	287	71390199	721
71388226	263	71388899	47	71389638	293	71390203	113
71388226	267	71388900	99	71389641	113	71390204	115
71388230	275	71388912	543	71389647	663	71390208	115
71388232	275	71388938	517	71389647	669	71390209	115

INDEX

Part No.	Page	Part No.	Page	Part No.	Page	Part No.	Page
71390209	709	71390887	681	71391244	629	71391748	147
71390209	721	71390888	681	71391246	557	71391752	359
71390210	115	71390909	545	71391246	567	71391762	339
71390210	709	71390910	537	71391246	581	71391763	337
71390210	721	71390911	539	71391252	557	71391792B	289
71390223	331	71390911	543	71391252	567	71391805	431
71390241	513	71390913	543	71391252	579	71391805	435
71390242	513	71390913	551	71391253	171	71391831	521
71390248	513	71390914	513	71391254	171	71391835	521
71390259	405	71390926	481	71391255	171	71391848	501
71390259	407	71390929	491	71391256	171	71391849	499
71390260	405	71390939	413	71391257	363	71391850	497
71390267	409	71391001	259	71391260	631	71391851	141
71390268	409	71391002	259	71391261	363	71391860	221
71390279	409	71391003	259	71391263	367	71391860	253
71390284	409	71391016	219	71391270	363	71391860	47
71390292	687	71391017	219	71391303	175	71391860	727
71390314	179	71391018	243	71391322	193	71391866	221
71390316	231	71391020	245	71391336	481	71391869	215
71390323	235	71391021	219	71391343	395	71391869	217
71390325	233	71391021	243	71391403	249	71391869	233
71390325	239	71391021	245	71391404	249	71391869	725
71390357	489	71391021	385	71391416	239	71391870	221
71390360	481	71391021	395	71391417	239	71391870	247
71390364	477	71391021	459	71391418	247	71391871	247
71390384	507	71391031	125	71391418	625	71391874	243
71390407	171	71391036	125	71391420	215	71391897	141
71390413	171	71391037	125	71391421	243	71391899	141
71390414	171	71391039	127	71391424	225	71391932	513
71390417	179	71391040	101	71391435	483	71391935	497
71390450	161	71391040	97	71391435	487	71391938	497
71390451	161	71391041	101	71391441	483	71391939	497
71390452	161	71391041	97	71391441	487	71391946	497
71390453	161	71391045	51	71391453	553	71391947	497
71390468	163	71391083	179	71391453	561	71391948	499
71390472	163	71391083	575	71391453	601	71391951	497
71390502	687	71391083	587	71391461	123	71391953	503
71390517	469	71391086	305	71391462	123	71391954	501
71390575	329	71391087	305	71391463	123	71391956	499
71390654	415	71391100	207	71391466	123	71391957	501
71390672	461	71391112	537	71391489	343	71391960	503
71390672	467	71391113	539	71391501	161	71391961	505
71390673	413	71391114	515	71391515	177	71391962	505
71390755	515	71391131	481	71391516	177	71391963	505
71390756	489	71391131	487	71391518	143	71391964	505
71390759R	517	71391133	479	71391519	143	71391966	503
71390762	515	71391135	477	71391526	417	71391967	501
71390764	503	71391140	477	71391529	333	71391968	501
71390770	517	71391141	477	71391540	123	71391969	501
71390789	523	71391143	497	71391541	123	71391970	501
71390804	259	71391146	501	71391567	289	71391971	501
71390806	259	71391147	499	71391572	663	71391972	501
71390809	259	71391150	503	71391576	395	71391974	477
71390810	259	71391153	193	71391577	395	71391975	477
71390813	259	71391153	723	71391579	395	71392194	625
71390815	259	71391157	169	71391592	397	71392195	625
71390816	259	71391158	145	71391620	537	71392196	631
71390817	259	71391172	145	71391624	545	71392197	631
71390820	259	71391175	193	71391624	549	71392198	629
71390821	259	71391181	543	71391625	513	71392199	631
71390822	259	71391219	329	71391643	363	71392601	503
71390823	259	71391220	329	71391648	207	71392602	503
71390824	259	71391221	329	71391653	631	71392605	501
71390825	259	71391224	329	71391654	363	71392610	501
71390851	443	71391225	329	71391654	499	71392611	499
71390853	443	71391230	625	71391656	627	71392616	499
71390855	675	71391234	129	71391657	631	71392616	505
71390860	483	71391234	133	71391659	327	71392618	503
71390861	113	71391236	573	71391660	363	71392620	499
71390863	633	71391238	625	71391709	247	71392621	505
71390866	633	71391239	631	71391710	221	71392622	505
71390867	633	71391240	629	71391713	139	71392624	505
71390867	683	71391241	629	71391726	139	71392654	501
71390870	111	71391242	629	71391746	145	71392656	499
71390872	111	71391243	629	71391747	145	71392657	499

9790 COMBINE

25
INDEX

Part No.	Page	Part No.	Page	Part No.	Page	Part No.	Page
71392658	505	71393253	503	71393534	713	71393885	141
71392663	503	71393257	503	71393534	723	71393886	143
71392664	503	71393258	457	71393547	451	71393887	143
71392675	477	71393259	457	71393551	193	71393888	143
71392677	431	71393260	459	71393601	145	71393893	139
71392677	433	71393261	459	71393604	145	71393893	193
71392680	427	71393262	459	71393605	145	71393893	199
71392690	351	71393263	455	71393609	167	71393893	723
71392691	431	71393264	455	71393612	167	71393901	507
71392691	441	71393265	455	71393613	167	71393907	507
71392693	433	71393268	455	71393614	167	71393908	507
71392693	439	71393269	455	71393615	167	71393909	507
71392693	721	71393273	455	71393616	193	71393913	507
71392700	453	71393274	455	71393617	193	71393916	483
71392705	123	71393277	233	71393619	193	71393916	487
71392705	519	71393281	179	71393620	193	71393917	497
71392766	633	71393282	179	71393623	233	71393918	497
71392767	633	71393285	233	71393636	127	71393919	543
71392776	41	71393287	241	71393650	125	71393919	551
71392776	417	71393301	177	71393665	295	71393921	547
71392787	683	71393307	139	71393671	295	71393923	547
71392788	683	71393323	161	71393694	171	71393924	537
71392830	531	71393324	161	71393695B	171	71393926	145
71392831R	525	71393350	237	71393703	165	71393926	169
71392832R	525	71393384	395	71393703	251	71393926	233
71392833R	527	71393387	395	71393704	245	71393926	233
71392835R	529	71393389	395	71393713	221	71393929	169
71392836R	533	71393391	395	71393713	225	71393931	233
71392837	525	71393392	395	71393716	243	71393938	147
71392838P	529	71393394	397	71393717	243	71393939	167
71392841R	533	71393401	455	71393717	715	71393940	145
71392842	531	71393402	455	71393718	243	71393941	147
71392843	515	71393403B	457	71393718	675	71393943	161
71392846	515	71393404	457	71393742	245	71393943	195
71392847	517	71393405	455	71393776	263	71393944	147
71392852	601	71393410	503	71393778	263	71393947	147
71392853	601	71393411	503	71393780	263	71393948	193
71392854	601	71393413	497	71393782	265	71393949	193
71392855	601	71393414	497	71393784	263	71393950	193
71392856	601	71393419	457	71393786	263	71393977R	527
71392857	601	71393424B	507	71393788	263	71393978R	527
71392870	643	71393425P	507	71393812	431	71393982	525
71392870	675	71393429	451	71393812	441	71393983R	527
71392872	575	71393439	381	71393813	431	71393984	523
71392872	587	71393440	419	71393815	431	71393985R	529
71392875	575	71393440	423	71393815	441	71393987	533
71392875	587	71393440	433	71393818	433	71393992	523
71392876	179	71393455	161	71393818	439	71393994	523
71392876	575	71393463	193	71393831	121	71393995	523
71392876	587	71393467	177	71393833	119	71394119	431
71392879	553	71393468	143	71393834	121	71394119	441
71392881	575	71393469	143	71393835	121	71394126	367
71392882	553	71393470	143	71393838	49	71394127	367
71392886	367	71393471	143	71393839	99	71394128	367
71392887	367	71393472	143	71393840	121	71394129	367
71392888	367	71393473	143	71393841	117	71394130	367
71392889	367	71393474	143	71393842	117	71394131	367
71392890	367	71393475	143	71393842	207	71394132	367
71392891	367	71393476	517	71393843	573	71394133	367
71392892	367	71393492	521	71393847	131	71394134	367
71392894	367	71393493	521	71393847	133	71394137	305
71392895	367	71393494	521	71393854	483	71394138	573
71392896	367	71393497R	531	71393854	487	71394138	583
71392897	367	71393506	121	71393867	511	71394139	553
71392898	367	71393512	49	71393868	511	71394140	553
71392899	367	71393520	117	71393869	511	71394140	561
71392900	367	71393523	117	71393870	511	71394144	211
71393101	329	71393524	51	71393871R	511	71394146	575
71393107	359	71393525	119	71393873	507	71394150	575
71393118	343	71393526	451	71393875	509	71394151	575
71393122	345	71393529	429	71393876	143	71394161	555
71393220	329	71393529	435	71393878	143	71394168	553
71393236	687	71393532	453	71393879	143	71394169	325
71393251	505	71393533	713	71393881	143	71394170	325
71393252	503	71393534	453	71393883	143	71394172	207

INDEX

Part No.	Page	Part No.	Page	Part No.	Page	Part No.	Page
71394173	573	71394800	165	71395334	341	71395838B	215
71394175	41	71394821	265	71395335	341	71395840	215
71394175	473	71394821	269	71395336	341	71395840	217
71394222	315	71394833	427	71395337	343	71395848	175
71394223	315	71394841	431	71395338	343	71395848	233
71394303	545	71394841	441	71395339	341	71395853	413
71394303	549	71394865R	535	71395346	349	71395866	427
71394306	547	71394867	529	71395351	525	71395866	437
71394318	477	71394868R	533	71395351	531	71395872	115
71394321	499	71394873R	527	71395352	525	71395906	125
71394321	505	71394874	525	71395352	531	71395976	457
71394322	499	71394874	531	71395353	525	71395983	483
71394323	499	71394877	147	71395353	531	71395983	487
71394325	505	71394878	145	71395354	525	71395984	537
71394352	417	71394879	147	71395354	531	71395988	41
71394352	711	71394880	175	71395358	521	71395989	39
71394352	721	71394884	147	71395372	515	71395991	537
71394353	329	71394885	147	71395378R	529	71395992R	505
71394354	329	71394886	183	71395384R	527	71395993	539
71394356B	417	71394887	183	71395386P	511	71395996	503
71394363	333	71394888	183	71395387P	511	71395997	503
71394364	333	71394889	183	71395388	511	71395998	457
71394397	331	71394890	147	71395389	511	71395998	727
71394402	533	71394891	147	71395390	511	71396110	469
71394405R	527	71394892	147	71395407	343	71396124	461
71394406	531	71394893	147	71395413	359	71396126	639
71394407R	529	71394894	183	71395422	339	71396127	639
71394413R	533	71394896	149	71395565	113	71396127	651
71394414	533	71394897	149	71395571	413	71396128	639
71394415	533	71394898	149	71395572	413	71396128	651
71394418	511	71394899	147	71395573	413	71396129	641
71394419	505	71394900	147	71395582	427	71396129	653
71394420	505	71394920	507	71395582	439	71396130	641
71394425R	535	71394933	349	71395583	427	71396130	653
71394472	153	71394965	427	71395583	439	71396130	661
71394501	141	71395048	249	71395585	687	71396131	641
71394502	141	71395065	701	71395586	687	71396131	653
71394502	151	71395151	683	71395589	427	71396132	641
71394503	141	71395152	683	71395589	439	71396132	653
71394514	145	71395153	683	71395728	127	71396133	641
71394515	145	71395154	683	71395734	51	71396133	653
71394516	145	71395155	683	71395749	127	71396134	637
71394517	145	71395157	683	71395750	125	71396136	637
71394518	145	71395158	683	71395752	175	71396136	649
71394519	145	71395159	683	71395753	175	71396137	641
71394521	145	71395160	683	71395754	167	71396137	643
71394522	145	71395161	683	71395757	39	71396137	653
71394523	141	71395162	683	71395757	43	71396138	641
71394525	139	71395163	683	71395759	179	71396139	649
71394534	453	71395167	699	71395760	147	71396139	657
71394535	463	71395172	695	71395761	179	71396140	639
71394535	467	71395172	701	71395762	41	71396140	651
71394540	431	71395173	695	71395762	45	71396141	639
71394540	441	71395173	701	71395763	161	71396141	651
71394544	429	71395175	115	71395763	195	71396142	639
71394681	499	71395205	717	71395764	169	71396142	651
71394688	505	71395205	727	71395767	145	71396143	369
71394690	39	71395218	717	71395768	147	71396144	369
71394690	41	71395233	397	71395769	147	71396146	369
71394691	39	71395234	397	71395770	177	71396147	369
71394691	41	71395236	397	71395771	147	71396148	369
71394692	39	71395245	383	71395773	149	71396149	369
71394693	41	71395246	385	71395776B	115	71396150	369
71394696	39	71395247	383	71395781	699	71396151	369
71394697	41	71395249	383	71395787	699	71396152	369
71394716	233	71395250	385	71395789	695	71396153	369
71394716	327	71395250	727	71395789	701	71396154	369
71394717	237	71395252	411	71395799	297	71396155	369
71394725	223	71395255	139	71395813	113	71396156	369
71394791	143	71395263	427	71395825	663	71396158	369
71394792	143	71395263	439	71395825	673	71396159	369
71394795	177	71395266	431	71395830	249	71396160	369
71394796	175	71395322	661	71395832	215	71396161	369
71394797	177	71395325	645	71395832	217	71396162	369
71394799	175	71395332	687	71395838	217	71396163	369

9790 COMBINE

27
INDEX

Part No.	Page	Part No.	Page	Part No.	Page	Part No.	Page
71396164	369	71396263	129	71396604	703	71397124	507
71396165	369	71396264	617	71396605	703	71397152	469
71396166	369	71396265	617	71396606	703	71397153	469
71396167	369	71396266	579	71396607	703	71397167	405
71396168	369	71396266	617	71396608	703	71397167	407
71396169	369	71396267	615	71396609	703	71397168	427
71396169	643	71396267	617	71396610	703	71397168	439
71396170	369	71396268	211	71396611	703	71397171	405
71396171	369	71396269	129	71396612	703	71397171	407
71396173	369	71396269	133	71396613	703	71397172	405
71396174	369	71396273	171	71396614	703	71397172	407
71396175	369	71396276	139	71396615	703	71397174	405
71396176	369	71396283	151	71396616	703	71397179	697
71396177	369	71396326	415	71396617	593	71397180	697
71396178	369	71396348	707	71396617	699	71397181	697
71396179	659	71396349	707	71396618	591	71397184	699
71396180	659	71396355	115	71396618	593	71397185	697
71396180	721	71396374	707	71396619	593	71397186	697
71396181	659	71396377	183	71396620	591	71397186	697
71396182	659	71396381	193	71396620	593	71397187	697
71396183	659	71396382	193	71396621	591	71397187	697
71396184	659	71396390	193	71396621	593	71397189	699
71396185	659	71396391	233	71396622	593	71397190	699
71396186	659	71396393	177	71396623	591	71397191	699
71396187	659	71396394	177	71396623	593	71397192	699
71396188	661	71396401	525	71396624	591	71397193	697
71396189	661	71396401	531	71396624	593	71397194	699
71396190	661	71396402	525	71396625	697	71397195	699
71396191	661	71396402	531	71396625	705	71397196	697
71396192	661	71396403	511	71396653	457	71397197	697
71396193	661	71396404R	511	71396653	725	71397198	697
71396194	661	71396414	489	71396662R	477	71397199	697
71396195	661	71396452	411	71396664	505	71397201	699
71396197	661	71396457	431	71396677	153	71397202	697
71396198	657	71396457	441	71396682	151	71397203	697
71396199	657	71396458	451	71396684	151	71397204	697
71396200	657	71396462	433	71396729	151	71397205	697
71396201	657	71396467	451	71396729	157	71397222	329
71396202	657	71396469	443	71396735	153	71397244	487
71396203	657	71396470	421	71396736	165	71397246	483
71396204	657	71396472	421	71396743	151	71397246	487
71396205	657	71396472	721	71396743	153	71397248	485
71396207	661	71396481	303	71396745	153	71397255	153
71396208	661	71396501	151	71396752	125	71397261	177
71396208	721	71396501	157	71396753	127	71397262	177
71396209	655	71396510	151	71396754	127	71397263	177
71396210	655	71396510	157	71396754	723	71397265	155
71396211	655	71396558	683	71396755	127	71397268	155
71396212	655	71396565	115	71396755	615	71397271	155
71396213	661	71396580	697	71396756	127	71397272	155
71396214	661	71396580	703	71396758	127	71397286	551
71396215	659	71396581	703	71396758	615	71397303	537
71396216	659	71396582	703	71396760	47	71397311R	535
71396217	659	71396583	703	71396764	47	71397312	535
71396218	659	71396584	703	71396776	117	71397313	535
71396219	659	71396585	703	71396951	223	71397349	399
71396220	659	71396586	703	71396952	223	71397350	399
71396221	659	71396587	703	71396952	227	71397376	405
71396222	659	71396588	703	71396954	165	71397376	407
71396223	659	71396589	703	71396955	215	71397377	405
71396224	659	71396590	703	71396955	217	71397377	407
71396225	655	71396591	703	71396956	219	71397381	409
71396226	395	71396592	703	71396957	223	71397382	409
71396251	645	71396593	703	71396957	227	71397383	409
71396252	649	71396594	703	71396957	229	71397384	409
71396253	653	71396595	703	71396970	237	71397385	409
71396254	653	71396596	703	71396970	725	71397386	409
71396255	653	71396597	703	71396971	237	71397388	409
71396257	659	71396598	703	71396971	725	71397389	409
71396258	363	71396599	703	71396972	237	71397390	405
71396258	369	71396600	703	71396983	109	71397390	407
71396259	207	71396601	699	71396994	103	71397391	405
71396260	129	71396601	703	71396994	107	71397392	405
71396260	133	71396602	703	71397111	507	71397392	407
71396262	129	71396603	703	71397122	507	71397393	405

INDEX

Part No.	Page	Part No.	Page	Part No.	Page	Part No.	Page
71397394	405	71397685	259	71397882	107	71398330	681
71397427	149	71397686	259	71397883	103	71398331	111
71397428	113	71397687	259	71397886	105	71398332	111
71397429	175	71397688	259	71397886	109	71398333	111
71397432	195	71397689	259	71397895	103	71398337	633
71397433	195	71397690	259	71397895	107	71398354	675
71397434	195	71397691	259	71397926	199	71398356	681
71397436	195	71397692	259	71397926	205	71398357	329
71397437	195	71397693	259	71397927	199	71398358B	289
71397438	195	71397695	259	71397927	205	71398360	289
71397439	195	71397697	259	71397929	199	71398360	293
71397440	195	71397698	259	71397929	727	71398361	289
71397441	195	71397701	259	71397930	201	71398362B	297
71397443	195	71397702	259	71397930	205	71398364	293
71397443	723	71397703	259	71397932	199	71398365B	297
71397444	199	71397704	261	71397932	205	71398379B	289
71397444	205	71397705	261	71397933	199	71398384	287
71397445	199	71397706	261	71397934	199	71398384	711
71397446	199	71397707	261	71397934	205	71398388	283
71397447	199	71397708	261	71397939	203	71398388	709
71397447	205	71397709	261	71397940	237	71398389	283
71397448	199	71397710	261	71397941	237	71398391	293
71397448	205	71397711	261	71397942	237	71398399	487
71397449	199	71397712	261	71397989	383	71398401	383
71397449	205	71397713	261	71397992	405	71398402	383
71397452B	263	71397714	261	71397998	427	71398403	383
71397478	643	71397715	261	71397998	437	71398420	399
71397479	643	71397716	261	71398028	241	71398421	397
71397480	643	71397717	261	71398098	343	71398424	397
71397481	643	71397718	261	71398099	341	71398429	157
71397482	643	71397719	261	71398110	245	71398436	157
71397483	643	71397720	261	71398126	629	71398445	157
71397484	643	71397721	261	71398131	317	71398451	525
71397485	643	71397722	261	71398131	323	71398452	525
71397486	643	71397724	261	71398134	327	71398453	525
71397487	643	71397725	221	71398136	327	71398453	531
71397490	645	71397725	247	71398138	555	71398454	525
71397490	655	71397725	261	71398138	561	71398473	531
71397491	661	71397726	221	71398139	557	71398474R	531
71397492	615	71397726	225	71398139	561	71398475R	531
71397493	401	71397729	221	71398142	555	71398477	315
71397493	615	71397729	225	71398142	561	71398501	157
71397506	155	71397731	261	71398165	167	71398505	157
71397510	153	71397732	261	71398169	233	71398509	159
71397511	153	71397733	261	71398171	139	71398510	159
71397515	153	71397734	261	71398172	185	71398511	159
71397526	155	71397735	261	71398173	187	71398514	159
71397532	155	71397736	261	71398174	185	71398518	159
71397535	155	71397737	261	71398175	185	71398525	165
71397536	155	71397738	261	71398175	191	71398721	539
71397538	155	71397739	261	71398182	157	71398721	541
71397539	181	71397740	261	71398188	157	71398726	185
71397540	181	71397741	261	71398196	157	71398727	185
71397541	181	71397742	261	71398197	157	71398728	187
71397542	181	71397743	261	71398203	567	71398730	189
71397543	181	71397826	181	71398211	707	71398731	189
71397544	181	71397827	181	71398212	707	71398732	191
71397545	181	71397828	181	71398223	685	71398733	189
71397546	181	71397829	181	71398224	685	71398734	189
71397547	181	71397830	181	71398225	685	71398735	189
71397548	181	71397831	181	71398227	573	71398736	189
71397549	181	71397832	181	71398227	583	71398737	189
71397550	181	71397833	181	71398228	695	71398738	189
71397633	127	71397834	181	71398228	701	71398739	189
71397634	127	71397835	181	71398238	579	71398740	189
71397637	125	71397836	181	71398241	707	71398741	189
71397676	259	71397837	163	71398242	707	71398742	189
71397677	259	71397838	161	71398243	707	71398743	189
71397678	259	71397839	161	71398244	707	71398744	189
71397679	259	71397840	161	71398245	707	71398745	189
71397680	259	71397842	157	71398271	359	71398746	189
71397681	259	71397880	103	71398275B	343	71398749	189
71397682	259	71397881	105	71398327	681	71398750	189
71397683	259	71397881	109	71398328	681	71398761	357
71397684	259	71397882	103	71398329	681	71398762	357

9790 COMBINE

29
INDEX

Part No.	Page	Part No.	Page	Part No.	Page	Part No.	Page
71398764	357	71399144	573	71399861	485	71400719	695
71398768	357	71399149	553	71399870	543	71400729	529
71398769	357	71399149	565	71399985	465	71400736	517
71398770	357	71399150	553	71399994	451	71400738	519
71398771	357	71399150	565	71399999	411	71400739	269
71398777	189	71399198	529	71399999	473	71400739	519
71398778	189	71399198	535	71400069	393	71400852	307
71398779	189	71399199	529	71400071	377	71400911R	515
71398780	189	71399199	535	71400383	543	71400913	517
71398781	189	71399228	261	71400385	489	71400914	515
71398782	189	71399237	717	71400413	121	71400915	455
71398783	189	71399237	727	71400413	723	71400915	717
71398784	189	71399241	717	71400418	665	71400919	489
71398785	189	71399242	717	71400418	669	71400922R	477
71398786	189	71399243	717	71400420	663	71400971	263
71398787	191	71399246	717	71400421	667	71401075	343
71398788	191	71399270P	509	71400421	669	71401204	453
71398789	191	71399271P	509	71400422	667	71401208	467
71398790	191	71399326	529	71400422	669	71401212	465
71398791	191	71399326	535	71400429	453	71401220	465
71398792	191	71399329	529	71400430	453	71401221	465
71398795	191	71399329	533	71400431	451	71401224	465
71398796	191	71399338	121	71400432	451	71401307B	315
71398798	191	71399341	529	71400435	451	71401326	361
71398799	191	71399341	533	71400461	529	71401333	243
71398800	191	71399426	165	71400478	383	71401336	249
71398801	191	71399437	151	71400501	167	71401342	251
71398802	191	71399442	151	71400502	147	71401348	221
71398803	191	71399442	157	71400504	147	71401355	105
71398804	191	71399444	151	71400505	235	71401355	99
71398808	145	71399444	157	71400508	189	71401357	117
71398809	145	71399445	151	71400509	189	71401364	95
71398814	169	71399445	159	71400510	189	71401369	103
71398815	167	71399446	151	71400513	193	71401381	455
71398819	201	71399447	155	71400520	193	71401390	715
71398820	193	71399477B	417	71400521	193	71401398	715
71398820	201	71399481B	417	71400522	193	71401399	715
71398850	247	71399483	289	71400523	193	71401399	727
71398851	261	71399484	289	71400523	199	71401416	329
71398852	261	71399484	293	71400523	203	71401418	361
71398853	261	71399485	297	71400549	429	71401419	329
71398980	575	71399486	297	71400549	437	71401429	427
71398980	587	71399487	297	71400551	103	71401429	435
71398981	575	71399505	289	71400551	107	71401452	455
71398981	587	71399505	711	71400553	103	71401453	457
71398983	327	71399508	281	71400553	107	71401461	501
71398984	327	71399509	281	71400554	117	71401462	459
71398985	327	71399511	281	71400561	103	71401463	551
71398988	327	71399519	293	71400561	107	71401468	551
71398989	327	71399519	711	71400562	103	71401470	549
71398993	327	71399520B	293	71400581	715	71401526	193
71398994	327	71399521	677	71400585	715	71401526	199
71398995	327	71399637	359	71400588	715	71401530	199
71399002	339	71399641	359	71400604	415	71401533	139
71399003	359	71399654	485	71400626	155	71401534	185
71399009	433	71399656	485	71400628	153	71401544	203
71399011	433	71399658	489	71400630	153	71401545	199
71399011	437	71399661	485	71400631	153	71401546	199
71399013	433	71399662	485	71400635	139	71401548	195
71399013	437	71399665	487	71400641	153	71401626	269
71399015	427	71399666	487	71400645	155	71401627	269
71399015	433	71399669	489	71400646	155	71401628	269
71399015	437	71399674	487	71400653	633	71401632	269
71399027	401	71399675	485	71400661	329	71401633	269
71399036	155	71399675	501	71400669	495	71401636	269
71399038	155	71399682	109	71400686	445	71401637	269
71399039	317	71399682	207	71400691	573	71401638	269
71399049	671	71399697	105	71400693	693	71401643	537
71399115	691	71399697	109	71400698	693	71401645	539
71399115	695	71399802	465	71400701B	693	71401645	541
71399119	575	71399807	451	71400705B	693	71401645	549
71399143	557	71399829	263	71400710B	695	71401658B	271
71399143	567	71399830	263	71400711	695	71401660B	271
71399143	583	71399854	491	71400716B	695	71401661	539
71399143	599	71399858	485	71400719	591	71401700	151

INDEX

Part No.	Page	Part No.	Page	Part No.	Page	Part No.	Page
71401701	155	71404396	125	71406368	375	71406970	383
71401707	151	71404399	125	71406368	391	71406971	383
71401710B	153	71404400	125	71406409	515	71406972	383
71401715	141	71404401	125	71406414	519	71406973	383
71401718	165	71404402	125	71406454	429	71406990	569
71401719	165	71404403	125	71406476	239	71407047	453
71401722B	159	71404404	125	71406478	239	71407047	467
71401723B	159	71404409	625	71406480	237	71407139	673
71401726	557	71404410B	105	71406481	237	71407293	245
71401726	583	71404412	47	71406492	233	71407293	513
71401727	557	71404414	123	71406504	267	71407293	725
71401727	567	71404415	119	71406510	267	71407297	239
71401728	557	71404416	121	71406512	271	71407298	233
71401728	567	71404417	119	71406514	267	71407327P	497
71401729	567	71404420	117	71406518	267	71407426	229
71401730	367	71404430B	707	71406520	267	71407427	229
71401731	361	71404432	707	71406606	55	71407428	229
71401731	367	71404436	213	71406608	109	71407429	229
71401733	707	71404450	133	71406609	107	71407430	229
71401735	707	71404450	137	71406612	107	71407431	229
71401738	599	71404450	577	71406613	119	71407432	229
71401739	307	71404450	583	71406615	111	71407433	229
71401753	365	71405934B	507	71406616	113	71407434	229
71401755	291	71405945	517	71406619	135	71407435	229
71401756	291	71405950R	515	71406619	137	71407436	229
71401766	707	71405957	117	71406620	115	71407437	229
71401799	117	71405958	117	71406620	709	71407438	229
71401800	53	71405963	55	71406620	721	71407439	229
71401800B	49	71405966	53	71406623	131	71407440	229
71401806	117	71405983	133	71406623	133	71407441	229
71401807	117	71405983	137	71406624	129	71407442	229
71401812	47	71405984	133	71406624	133	71407443	229
71401813	47	71405984	137	71406625	109	71407444	229
71401817	117	71405985	133	71406626	107	71407445	229
71401822	47	71405985	137	71406627	561	71407446	229
71401850B	427	71406010	317	71406627	563	71407447	229
71401912	361	71406069	241	71406628	55	71407448	229
71402014	155	71406073	251	71406629	55	71407449	229
71402105	263	71406280	663	71406630	107	71407450	229
71402108	249	71406296	591	71406631	109	71407464	567
71402111	251	71406297	591	71406694	123	71407464	579
71403606	39	71406298	675	71406718	103	71407545	109
71403618B	509	71406300	675	71406719	103	71407574	397
71403624B	537	71406301	695	71406748	165	71407651	179
71403624B	541	71406302	695	71406751B	159	71407651	181
71403669	267	71406309	447	71406753	139	71407652	181
71403676	281	71406327	373	71406761B	497	71407653	145
71403677	281	71406327	379	71406769	39	71407653	145
71403678	281	71406328	371	71406770	41	71407653	145
71403679	283	71406328	379	71406772	523	71407653	181
71403680	449	71406330	371	71406795	467	71407655	161
71403681	689	71406330	379	71406795	713	71407657	141
71403681	691	71406332	375	71406802	267	71407659	141
71403682	453	71406332	379	71406802	299	71407660	269
71403684	449	71406332	387	71406803B	299	71407677	151
71403685	449	71406333	375	71406804	267	71407700	363
71403685	709	71406333	379	71406842	717	71407700	39
71403690	695	71406333	387	71406842	727	71407700	43
71403691	695	71406334	379	71406844	717	71407719	151
71403710	493	71406339	375	71406844	727	71407844	55
71403712B	493	71406339	379	71406849	455	71407928	433
71403895	687	71406339	711	71406866	165	71407942	439
71403918	497	71406339	721	71406876	167	71407946	439
71403919	483	71406341	445	71406877	147	71407956	619
71403919	501	71406344	445	71406878	177	71407956	621
71403922	499	71406345	445	71406891	199	71407956	623
71404300	281	71406361	371	71406894	233	71407957	623
71404303	551	71406361	379	71406922	521	71407958	623
71404305	549	71406361	711	71406934	303	71407962	307
71404306	549	71406361	721	71406951	383	71408198	137
71404306B	545	71406362	371	71406952	383	71408201	237
71404326	351	71406364	375	71406953	383	71408202	167
71404357	687	71406364	391	71406954	383	71408209	201
71404359	687	71406366	591	71406957	427	71408209	205
71404379	119	71406366	695	71406957	435	71408210	201

9790 COMBINE

31
INDEX

Part No.	Page	Part No.	Page	Part No.	Page	Part No.	Page
71408210	205	71409284	473	71410037	535	71411452	487
71408211	199	71409370	465	71410038	535	71411453	487
71408214	205	71409370	473	71410075	541	71411647	271
71408215	199	71409371	467	71410115	541	71411650	271
71408215	205	71409371	473	71410375	517	71411658	415
71408217	549	71409374	465	71410423	519	71411664	135
71408221	195	71409374	473	71410424	519	71411826	579
71408222	199	71409379	465	71410437	359	71411839	561
71408223	147	71409379	473	71410439	361	71411843	585
71408224	147	71409380	465	71410441	361	71411846	585
71408225	149	71409380	473	71410456	451	71411847	585
71408376	715	71409382	465	71410458	465	71411848	585
71408385	251	71409382	473	71410484	561	71411849	585
71408386	251	71409384	465	71410485	561	71411886	283
71408387	251	71409384	473	71410486	561	71411902	347
71408391	221	71409402	457	71410489	579	71411972	407
71408393	251	71409402	473	71410501V	47	71411974	407
71408394	251	71409403	429	71410501V	711	71411976	407
71408395	251	71409405	243	71410501V	95	71411978	409
71408396	251	71409409	433	71410503	95	71411979	409
71408397	251	71409415	421	71410504	95	71411980	409
71408408	51	71409419	473	71410505	95	71411981	407
71408477	435	71409452	379	71410506	95	71411982	407
71408492	435	71409452	381	71410507	95	71411983	407
71408493	435	71409453	379	71410508	95	71411984	379
71408494	435	71409453	383	71410509	95	71411984	381
71408501	455	71409457	549	71410510	95	71412027	135
71408514	455	71409461	271	71410512	95	71412027	137
71408514	473	71409576	167	71410513	95	71412028	135
71408686	55	71409579	169	71410543	585	71412028	137
71408687	55	71409581	193	71410556	217	71412029	135
71408692	109	71409581	195	71410562	717	71412029	137
71408709	667	71409582	195	71410563C	717	71412030	135
71408711	667	71409583	145	71410574	225	71412030	137
71408762	387	71409584	145	71410576	337	71412031	135
71408765	377	71409594	169	71410630	533	71412031	137
71408765	379	71409600	167	71410633	533	71412057	585
71408766	669	71409615	277	71410634	117	71412132	415
71408767	669	71409618	277	71410637	533	71412136	413
71408768	669	71409623	277	71410646	135	71412141	435
71408769	669	71409768	669	71410646	137	71412150	693
71408770	669	71409807	227	71410648	135	71412169	591
71408771	669	71409809	225	71410648	137	71412266	133
71408772	667	71409810	227	71410649	135	71412267	133
71408772	673	71409811	227	71410649	137	71412348	339
71408773	669	71409812	227	71410657	515	71412351	219
71408826	507	71409820	715	71410658	517	71412356	243
71408827	509	71409822	225	71410659	517	71412358	239
71408828	509	71409833	383	71410879	471	71412359	215
71408989	487	71409834	385	71410902	219	71412434	443
71408990	487	71409835	383	71410903	219	71412437	425
71409063	109	71409848	399	71410912	251	71412438	425
71409064	53	71409910	673	71410922	195	71412441	425
71409065	53	71409911	673	71410926	717	71412446	425
71409066	55	71409926	441	71410926	727	71412594	365
71409176	325	71409932	441	71410927	717	71412596	673
71409176	327	71409942	687	71410958	145	71412754	361
71409181	569	71409947	687	71410959	147	71412755	361
71409181	571	71409952	267	71410962	715	71412894	519
71409265	451	71409955	267	71410976	541	71412895	515
71409265	473	71409970	337	71410990	521	71412896	519
71409266	453	71409987	337	71410998	541	71412972	479
71409266	473	71409994	343	71411204	579	71412973	479
71409267	453	71409996	337	71411208	579	71412991	409
71409267	473	71410009	51	71411295	585	71413028	425
71409268	451	71410010	51	71411296	585	71413040	425
71409268	473	71410021	125	71411300	585	71413047	425
71409269	451	71410024	125	71411311	625	71413050	425
71409269	473	71410025	117	71411315	585	71413062	239
71409270	453	71410030	533	71411372	541	71413067	197
71409270	473	71410031	535	71411373	541	71413084	195
71409271	451	71410032	535	71411425	303	71413092	217
71409271	473	71410033	535	71411426	303	71413219	393
71409280	337	71410035	535	71411427	277	71413221	377
71409280	473	71410036	535	71411435	337	71413223	403

INDEX

Part No.	Page	Part No.	Page	Part No.	Page	Part No.	Page
71413228	377	72160993	107	72526244	553	7701634	539
71413309	219	72160993	97	72528004	559	7701659	507
71413325	239	72161024	193	72528006	559	7701659	675
71413427	579	72161280	97	72528008	559	7701659	687
71413428	579	72161999	143	72528012	559	7701683	475
71413429	579	72162809	253	72528014	559	7701683	675
71413431	585	72162811	253	72528022	559	7701717	151
71413432	579	72162812	253	72528024	559	7701717	157
71413434	579	72162815	253	72528025	559	7701766	363
71413440	585	72162818	253	72570001	719	7701964	235
71413447	581	72162819	253	72570002	719	7701964	619
71413448	307	72162820	253	72570003	719	7701964	621
71413456	425	72162821	253	72570004	719	7702012	269
71413494	435	72272098	191	72570023	715	7702012	269
71413548	437	72500822	235	72570030	719	7702012	271
71413548	439	72501110	247	72571014	715	7702145	507
71414221	601	72502789	183	72571014	727	7702194	115
71414223	579	72502796	147	72571032	715	7702202	111
71414225	319	72503309	247	72571032	727	7703242	55
71414290	425	72504036	179	72571068	717	7703259	361
71414291	435	72504740	185	72571070	719	7703275	53
71414301	479	72504762	187	72571081	717	7703416	427
71414409	473	72504775	185	72571081	727	7703416	437
71414552	343	72504776	185	72571136	719	7703424	151
71414554	687	72504785	185	727281	563	7703424	157
71414556	687	72504786	185	727693	195	7703424	157
71414681	563	72504786	189	74254699	677	7703424	527
71414682	563	72504791	185	74254699	723	7703424	529
71414687	563	72504792	185	74254700	677	7703432	183
71414688	563	72504802	185	74254700	723	7703432	265
71414689	563	72504803	185	74906743	173	7703457	119
71414690	563	72504804	185	755785	291	7703457	119
71418093	151	72504808	185	758342	121	7703457	121
71418128	541	72504809	185	762975	263	7703457	125
71418427	197	72504810	185	762975	267	7703457	129
71418428	205	72504811	185	762975	431	7703473	511
71418429	205	72504812	185	762975	441	7703473	685
71418430	205	72505639	147	762975	457	7703473	717
71418431	205	72506418	223	763136	171	7703499	353
71418481	153	72506418	257	763300	683	7703507	223
71418482	153	72506489	141	763565	121	7703507	227
71418483	151	72506489	147	766410	153	7703507	619
71418944	585	72506694	209	76695	397	7703531	115
71419804	205	72506922	209	768036	395	7703838	153
71419805	205	72507231	595	768036	411	7703838	415
71419806	205	72507406	209	768036	485	7704000	127
71419807	205	72507407	209	768226	381	7704117	153
71419808	205	72507408	209	768432	469	7704117	351
71449001	301	72507682	207	7700107	153	7704117	701
71449001	713	72507682	209	7700156	341	7704141	157
71449003	301	72509305	207	7700156	343	7704141	171
71449003	713	72509305	727	7700461	107	7704141	523
71449003	723	72509675	511	7700461	121	7704141	523
71449015	303	72511891	187	7700461	127	7704141	689
71449015	713	72511906	51	7700461	275	7704141	695
71449016	303	72511906	723	7700461	359	7704703	225
71449016	713	72513700	189	7700461	381	7704778	665
71449017	303	72514052	185	7700578	395	7704919	151
71449017	713	72514053	187	7700578	427	7704919	155
71449017	723	72514054	187	7700578	515	7704919	157
71449019	307	72514055	191	7701055	159	7705205	541
71449019	713	72514061	185	7701055	431	77057	485
71449025	303	72514066	185	7701055	481	7710551	301
71502674	609	72514067	187	7701055	485	7710551	303
720649	513	72514069	185	7701188	565	7710551	413
720656	625	72514070	185	7701329	47	7710551	469
72160919	235	72514076	189	7701485	305	7710551	721
72160919	237	72515771	715	7701485	557	7711401	385
72160919	249	72515775	715	7701485	565	7711419	385
72160919	251	72516411	715	7701485	567	7713860	663
72160919	725	72516412	715	7701485	573	7713860	669
72160927	209	72516560	51	7701501	233	7720063	193
72160927	49	72516560	723	7701550	357	772418	553
72160927	55	72525468	555	7701592	183	772418	561
72160993	103	72525468	561	7701634	397	772418	629

Part No.	Page	Part No.	Page	Part No.	Page	Part No.	Page
772426	139	7883317	457	831861M1	425	D49070022	409
772525	215	7883325	155	832088M1	361	D49070025	409
772525	215	7883325	165	832563M1	489	D49070026	409
773473	221	7883325	183	832653M1	243	D49070031	409
773697	699	7883325	239	832982M1	485	D49080047	405
7744477	663	7883325	245	833059M1	481	D49080090	381
7744477	669	7883325	537	833059M1	485	D49100159	405
7745193	221	7883325	541	834580M1	677	K1846	121
7746449	51	7883325	99	834580M1	679	K3518	419
774745	237	7883333	103	834580M1	723	K3518	423
7751605	671	7883333	107	834581M1	677	K3518	461
7751605	673	7883333	127	834581M1	679	K3518	467
7751605	675	7883333	177	834581M1	723	K3518	469
7751605	723	7883333	541	837853M91	653	K3518	723
776682	377	7883333	97	837853M91	661	K3999	295
776682	393	7883374	271	840327M91	713	K3999	395
776682	547	7883382	155	844173M1	111	K3999	479
776682	551	7883382	249	844174M1	111	K3999	723
7770167	243	7883382	269	846204	555	K4037	395
7770167	505	7883382	271	846204	565	K4037	721
7770308	103	7883408	127	846337	569	K7873	253
7770456	349	7883408	159	846337	577	N12998	171
7770456	351	7883408	159	846337	587	PZND1041V	383
7770456	383	7883408	507	846337	675	PZND1041V	439
7770456	395	7883424	157	846634	325	RE210066	165
7770456	397	7883978	715	846634	619	RE210066	241
7770456	435	7884570	675	846634	621	RE530013	241
7771371	139	79001879	323	846774	291	RE701128D6	241
7771470	151	79014728	483	850181M1	691	RE701141D6	241
7771470	157	79014728	487	850181M1	693	RE701169D6	241
7771504	345	79017915	489	850181M1	723	V500050642	85
7771629	697	79019067	491	850182M1	689	V500050840	57
7771728	111	79021648	123	850182M1	693	V500150642	57
7771728	55	79021648	315	853288	623	V500150840	73
7771744	121	79021649	367	863415	271	V500950800	67
7771744	207	79021649	663	863415	511	V500950800	73
7771751	395	79021649	725	863415	519	V500950800	81
7771769	507	79021665	301	863415	537	V500951000	61
7771785	683	79021665	303	863415	541	V500951000	75
7772049	151	79021665	315	863415	545	V500951200	59
7772056	183	79021665	319	863415	549	V500951200	61
7772197	405	79021668	123	8701211	115	V500951200	67
7772197	407	79021668	725	8701708	329	V500951400	61
7772312	679	79021669	665	8701708	359	V504600502	81
7772312	681	79021669	671	8701708	425	V504600602	71
7772361	185	79021669	677	8701781	127	V504600602	85
7772767	343	79021669	679	8722910	377	V504601000	61
7772767	511	79021669	681	8722910	393	V504601400	59
7773856	675	79021669	683	873026	553	V504601600	79
7773864	343	79021669	725	873026	561	V504602002	91
7774383	435	79021671	489	873141	469	V504611802	81
7774383	441	79021672	123	873364	153	V504800800	69
7774466	689	79021676	279	873497	157	V504800800	71
7774466	693	79021676	315	873802	113	V504800800	73
7774466	695	79021676	319	8746018	127	V504800800	77
7774664	49	79021676	665	8746018	307	V504800800	85
7774664	49	79021676	671	8746018	561	V504800802	75
7774664	55	791319	413	8746430	129	V504861000	73
7774664	55	791541	569	8746430	133	V510600602	69
7791361	569	8022691	667	915891W1	493	V510600602	81
7792922	445	8027427	175	940134W1	633	V510600802	87
7827629	249	8027427	177	942253	635	V510601002	69
7827983	165	803783	671	942253	643	V510601002	87
7845068	113	803783	673	942253	647	V512861000	65
7846777	575	8046955	625	98-2107	397	V513601002	69
7883267	219	8046955	629	9863040W1B	469	V521601000	71
7883267	237	8050866	153	AG132254	185	V528801062	59
7883267	269	8050866	721	AG133717	369	V528801082	69
7883267	525	81370306	257	AG512664	101	V528801082	81
7883267	531	81370306	721	AG512664	103	V528801360	67
7883275	183	827758	365	AG512664	107	V528801360	85
7883275	41	831268M1	417	AG512664	97	V528801360	91
7883275	45	831822M1	477	AG519751	627	V528801362	57
7883283	183	831822M1	491	D49070008	405	V528801362	73
7883283	235	831822M1	721	D49070008	407	V528801362	79

INDEX

Part No.	Page	Part No.	Page	Part No.	Page	Part No.	Page
V528801380	57	V581804620	59	V640016012	57	V836336934	83
V528801380	59	V581804620	77	V640016016	57	V836338180	73
V528801380	69	V581804630	67	V640016018	57	V836338182	73
V528801380	71	V581804650	77	V640016040	57	V836338186	73
V528801380	73	V581804650	81	V640016045	67	V836338188	73
V528801380	75	V581804670	75	V640045022	73	V836338201	73
V528801380	77	V581804690	77	V640045022	79	V836338512	77
V528801380	79	V581805000	73	V640045126	61	V836338601	57
V528801380	81	V590253388	57	V640255210	83	V836338650	63
V528801400	59	V598355365	69	V640305012	77	V836338651	63
V528801400	69	V602060610	75	V640305012	79	V836338652	63
V528801410	59	V602060610	85	V640325014	57	V836338653	63
V528801410	69	V602060612	73	V640325014	79	V836338667	73
V528801420	69	V602060612	85	V640325014	83	V836338733	67
V528801800	67	V602070605	81	V640325018	67	V836340948	63
V528801800	91	V602074608	81	V640325018	79	V836347308	73
V528801810	75	V602087528	71	V640325039	75	V836359603	75
V528801810	91	V603305760	65	V640325110	57	V836362228	75
V528801830	67	V610032065	91	V640325110	59	V836362229	75
V528802602	59	V610060085	91	V640325110	79	V836362567	55
V528802602	75	V610062055	91	V640425005	81	V836362567	723
V528803042	75	V610063064	91	V640425008	81	V836362567	77
V528901400	59	V610072040	79	V640435005	81	V836362567	93
V528902200	59	V610072109	59	V640435006	83	V836640752	67
V528902220	61	V610073040	59	V640435008	83	V836646393	79
V528902230	63	V614600724	77	V640435010	83	V836647942	67
V529701880	91	V614601125	83	V641016008	75	V836652081	73
V529702630	61	V614601324	59	V641086010	83	V836652468	61
V529801102	57	V614601924	59	V641086012	71	V836655406	65
V529801112	71	V614602030	77	V641086012	73	V836659521	77
V529801430	79	V614602430	77	V641166006	59	V836659524	77
V529801440	59	V614602430	79	V641436008	81	V836662130	77
V529801440	69	V614603540	59	V641830008	75	V836662619	87
V529801450	91	V614604740	67	V644611006	91	V836662620	87
V529801470	69	V614604958	79	V651754720	85	V836662621	87
V529801470	91	V614605930	71	V651755320	85	V836662622	87
V529801490	69	V614606825	59	V685121585	53	V836662623	87
V529801490	87	V614607930	79	V685121585	711	V836662624	87
V529801490	91	V614609430	59	V685121585	723	V836662625	87
V529801500	69	V614703042	79	V685121585	91	V836664013	69
V529801510	59	V614901030	67	V835261462	53	V836664226	75
V529801510	87	V614903430	75	V835324324	71	V836664377	57
V529801520	79	V615571014	57	V835329746	67	V836666980	85
V529801530	69	V615571014	59	V836007871	73	V836667029	79
V529801550	59	V615571014	83	V836008449	73	V836667315	87
V529801550	69	V615870812	81	V836014264	65	V836667650	77
V529801550	79	V615870814	59	V836015156	79	V836667732	85
V529801550	91	V615871014	79	V836015967	69	V836747849	67
V529801562	91	V615871016	75	V836017927	59	V836747849	69
V529801830	69	V615881216	77	V836020054	61	V836840882	63
V529801910	65	V615881216	79	V836117943	61	V836840883	59
V529801910	87	V615881216	81	V836119079	57	V836840884	61
V529903180	57	V615881216	83	V836119079	79	V836840887	63
V540801780	67	V615881418	67	V836119384	69	V836840930	71
V540801910	67	V615881418	79	V836119643	67	V836840934	57
V546801360	57	V615881420	57	V836119837	79	V836840944	63
V546801400	57	V615881420	71	V836120022	75	V836840944	93
V546801490	69	V615881420	83	V836120989	87	V836840945	63
V546801490	77	V615881620	57	V836120989	91	V836840945	93
V546801800	61	V615881620	71	V836122910	73	V836840978	63
V546801800	71	V615881620	79	V836122910	83	V836840979	63
V546801900	67	V615881622	73	V836138015	69	V836840980	63
V580704670	59	V615881822	213	V836214478	57	V836840981	63
V581704660	81	V615881822	67	V836322190	77	V836840982	63
V581704710	59	V615881822	79	V836322190	79	V836840983	63
V581705030	61	V615881824	57	V836322221	63	V836840992	71
V581705030	83	V615882227	73	V836322538	73	V836840998	57
V581705440	61	V615882227	79	V836322852	57	V836852010	91
V581705910	59	V615893946	75	V836322906	73	V836852459	57
V581804182	57	V617330047	79	V836322909	73	V836852460	57
V581804600	57	V617330052	59	V836322909	73	V836852461	57
V581804600	73	V617330052	91	V836331590	79	V836852744	57
V581804600	77	V617330068	91	V836336302	63	V836855297	73
V581804600	79	V617330072	91	V836336302	93	V836855300	73
V581804602	67	V617350062	91	V836336425	79	V836855348	67

9790 COMBINE

35
INDEX

Part No.	Page	Part No.	Page	Part No.	Page	Part No.	Page
V836855350	67	V836864288	63	V837069027	81	V837070253	83
V836855446	57	V836864296	91	V837069029	67	V837070255	81
V836855447	57	V836864541	85	V837069032	81	V837070258	81
V836855484	77	V836866036	65	V837069047	69	V837070277	81
V836855517	77	V836866069	57	V837069050	81	V837070284	69
V836855519	77	V836866341	87	V837069052	57	V837070285	57
V836855520	77	V836866576	83	V837069056	57	V837070286	57
V836855521	77	V836866735	79	V837069057	57	V837070290	67
V836855522	77	V836866809	71	V837069060	63	V837070292	85
V836855523	77	V836866817	89	V837069069	59	V837070314	81
V836855525	63	V836866831	85	V837069070	59	V837070328	69
V836855554	57	V836866909	73	V837069076	79	V837070343	67
V836855558	63	V836866958	75	V837069077	79	V837070347	67
V836855562	59	V836867046	57	V837069078	79	V837070381	75
V836855565	59	V836867048	57	V837069085	65	V886325175	71
V836855601	79	V836867048	93	V837069088	63	VHA9220	81
V836855602	79	V836867050	57	V837069146	81	VHC8338	73
V836855603	79	V836867390	67	V837069147	81	VJD0408	67
V836855625	79	V836867391	67	V837069150	85	VJD0408	85
V836855629	57	V836867533	71	V837069216	85	VJE8802	59
V836855636	59	V836867556	69	V837069268	81	VJE8802	61
V836855637	63	V836867559	71	V837069313	81	VKH7070	57
V836855639	77	V836867567	67	V837069314	81	VKH7070	59
V836855641	63	V836867591	55	V837069410	85	VLA1014	59
V836855651	59	V836867591	723	V837070000	59	W1207843	419
V836855666	91	V836867591	83	V837070001	59	W1207843	423
V836855673	73	V836867593	83	V837070002	59	W1511670	713
V836855674	73	V836867595	55	V837070003	59	W1511670	723
V836855678	57	V836867595	723	V837070004	59	W500053E	171
V836855689	91	V836867595	83	V837070005	59	W900194-4	715
V836855690	63	V836867602	83	V837070020	79	W915795-4	329
V836855714	71	V836867642	69	V837070021	57	W937119	483
V836855755	91	V836867775	59	V837070036	65	W937119	487
V836855756	91	V836873001	71	V837070048	85	W943003	213
V836855757	91	V836873003	71	V837070049	85	W944142	255
V836855758	91	V836873004	71	V837070050	85	W9863030	461
V836855762	91	V837062565	67	V837070051	85	W9863030	467
V836855789	91	V837062617	79	V837070054	85	WSP1344	157
V836855921	73	V837062626	93	V837070055	85	Y46086	665
V836855928	87	V837062627	93	V837070072	59	Y46086	667
V836855934	91	V837062628	93	V837070073	81	Y46086	671
V836855935	91	V837062629	81	V837070074	79	Y46086	673
V836855941	91	V837064906	67	V837070075	79	Y52209	177
V836855956	87	V837064907	67	V837070077	81	Y52894	665
V836859034	69	V837064908	67	V837070078	81	Y52894	669
V836859109	67	V837064910	65	V837070079	81	Y58040	529
V836859110	67	V837067295	69	V837070080	81	Y58040	535
V836859153	57	V837067345	69	V837070081	81	Y61879	329
V836859188	69	V837067801	81	V837070082	81	Y61879	373
V836859288	91	V837067881	67	V837070107	59	Y702951	223
V836859311	61	V837067967	75	V837070108	59	Y702951	225
V836859347	91	V837067968	75	V837070113	59	Y702951	291
V836859348	91	V837067969	75	V837070121	81	Y702951	497
V836859356	91	V837067970	75	V837070130	85	Y702951	499
V836859357	91	V837069001	67	V837070137	59	Y702951	555
V836859363	91	V837069002	65	V837070147	57	Y702951	561
V836859364	91	V837069003	65	V837070148	65	Y702951	579
V836859452	79	V837069004	65	V837070170	67	Y702951	617
V836859485	61	V837069005	65	V837070171	71	Y703132	139
V836859560	73	V837069006	65	V837070179	59	Y703132	165
V836859561	73	V837069007	81	V837070184	79	Y703132	175
V836859683	91	V837069009	69	V837070185	63	Y703140	347
V836859684	91	V837069011	65	V837070185	93	Y703140	377
V836862051	83	V837069013	65	V837070187	67	Y704015	715
V836862454	89	V837069014	65	V837070188	67	Y704015	717
V836862455	89	V837069015	65	V837070189	85	Y704072	139
V836862456	89	V837069016	65	V837070197	57	Y704072	169
V836862457	89	V837069017	65	V837070198	85	Y704072	525
V836862458	89	V837069018	65	V837070201	85	Y704072	531
V836862459	89	V837069019	65	V837070209	85	Y704072	717
V836862460	89	V837069020	65	V837070219	69	Y704072	717
V836862461	89	V837069021	67	V837070223	83	Y704288	315
V836862462	89	V837069023	65	V837070228	69	Y704361	221
V836862496	83	V837069025	67	V837070249	81	Y704361	225
V836864141	63	V837069026	67	V837070252	83	Y704395	713

INDEX

Part No.	Page	Part No.	Page	Part No.	Page	Part No.	Page
Y704445	113	Y763318	663				
Y704445	175	Y763318	667				
Y704445	221	Y764126	431				
Y704445	225	Y764126	441				
Y704445	239	Y772129	143				
Y704635	525	Y851774	713				
Y704635	531	Y851774	723				
Y704726	103						
Y704726	107						
Y704726	119						
Y704726	121						
Y704726	127						
Y704726	133						
Y704734	101						
Y704734	103						
Y704734	105						
Y704734	107						
Y704734	109						
Y704734	111						
Y704734	113						
Y704742	111						
Y704742	111						
Y704742	111						
Y704742	113						
Y704742	113						
Y704742	127						
Y705020	343						
Y705020	349						
Y705020	381						
Y705020	381						
Y705020	413						
Y705020	415						
Y705020	455						
Y705046	127						
Y705046	165						
Y705046	221						
Y705046	263						
Y705046	267						
Y705046	267						
Y705046	279						
Y705269	223						
Y705269	715						
Y705525	103						
Y705525	105						
Y705525	117						
Y705525	119						
Y705525	121						
Y705525	151						
Y705533	103						
Y705533	105						
Y705533	117						
Y705533	117						
Y705533	123						
Y705533	127						
Y705566	707						
Y705582	303						
Y705582	47						
Y705582	53						
Y705608	103						
Y705608	107						
Y705608	109						
Y705608	125						
Y705608	129						
Y705608	131						
Y705624	221						
Y705624	289						
Y705624	291						
Y705624	299						
Y705624	315						
Y705624	333						
Y707042	457						
Y707042	467						
Y710293	469						
Y730804	675						
Y761312	477						

9790 COMBINE

**37
INDEX**

Part No.

Page

Part No.

Page

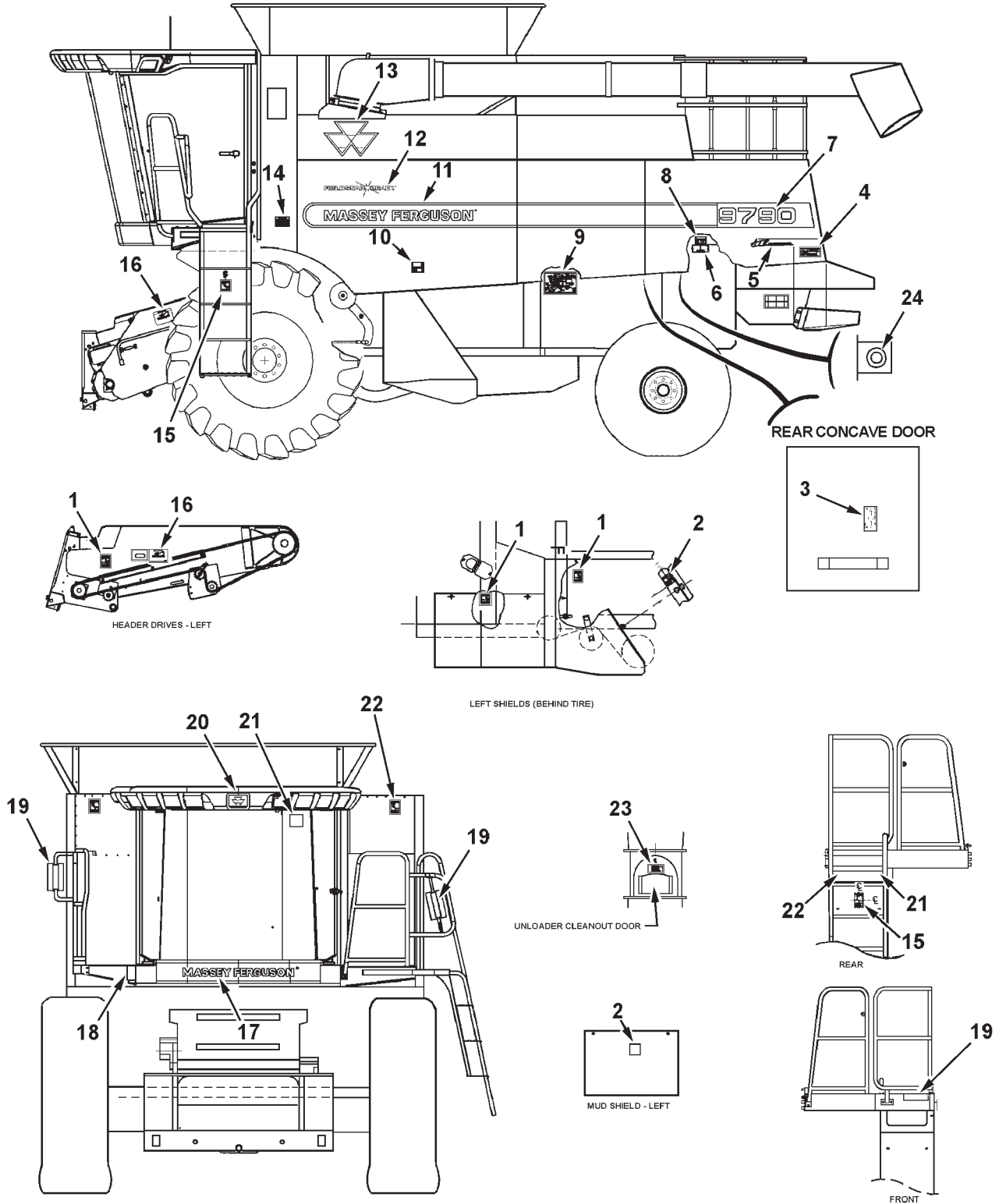
Part No.

Page

Part No.

Page

LEFT SIDE & FRONT LABELS
(PRIOR S/N HS36101)



9790 COMBINE
DECALS & LABELS

39

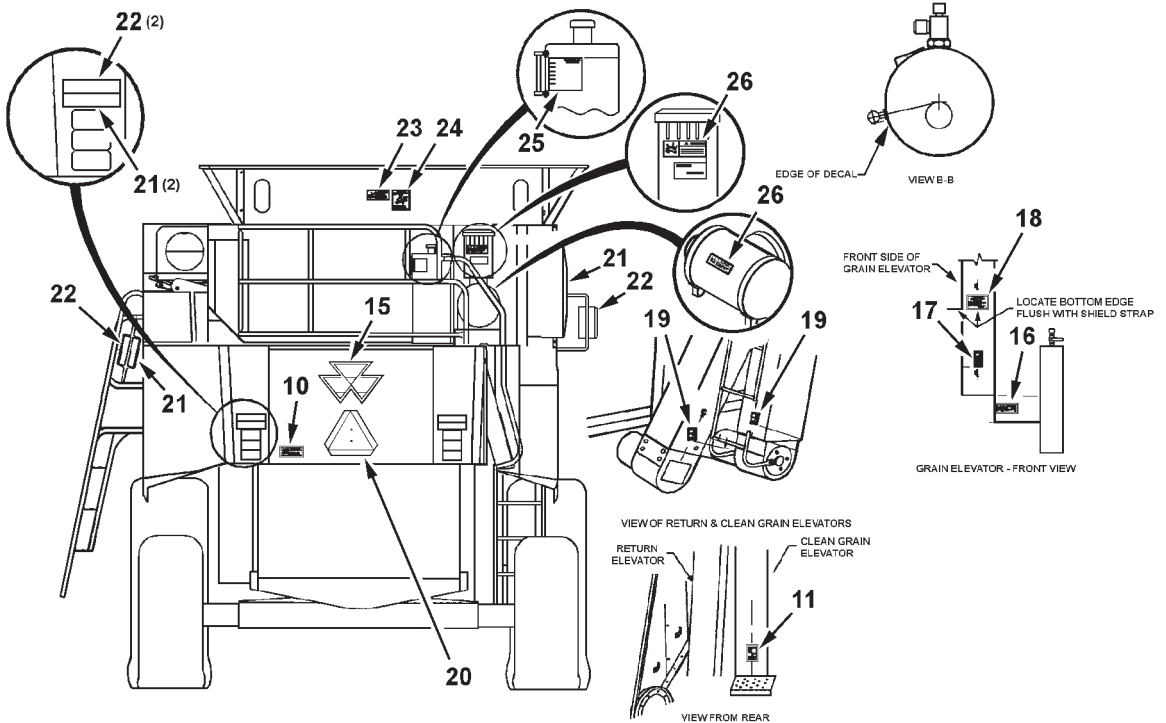
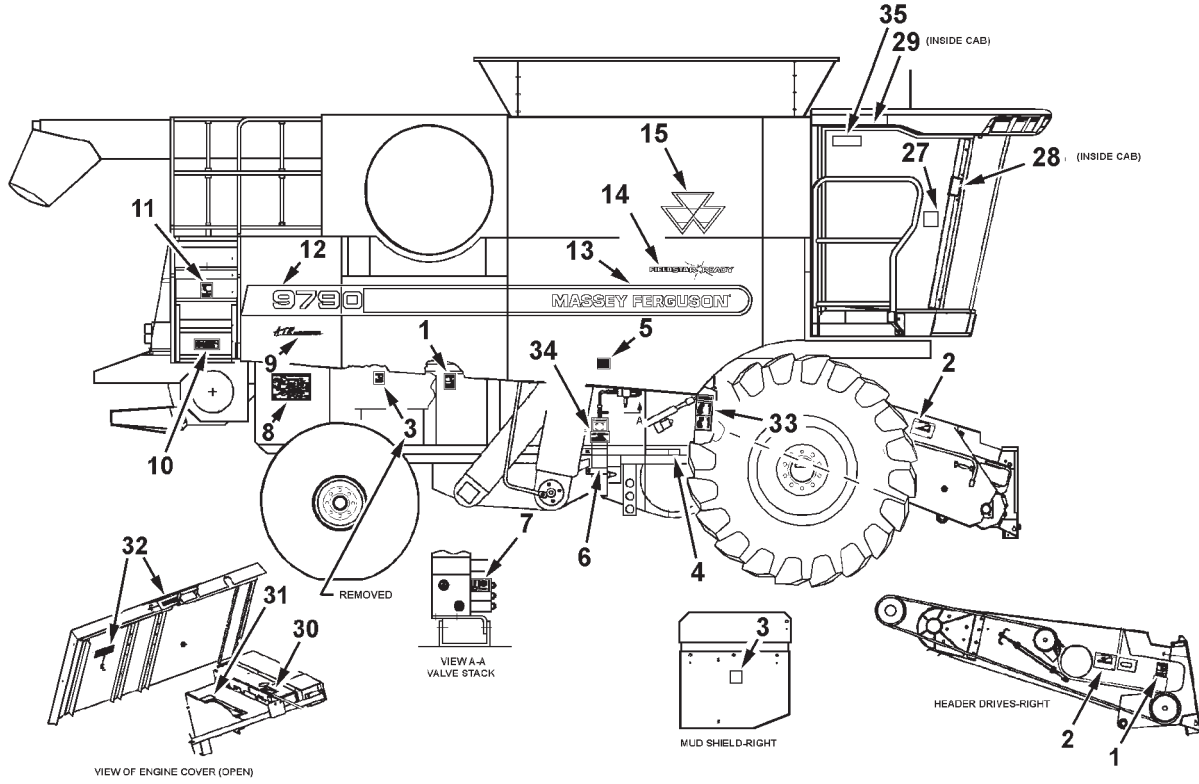
LEFT SIDE & FRONT LABELS
(PRIOR S/N HS36101)

ITEM	NUMBER	QTY	DESCRIPTION
1	111091W1	3	DECAL, DANGER, SHIELD MISSING
2	111670W1	2	DECAL, WARNING, BELT OR CHAIN
3	71407700	1	DECAL, CYLINDER GEAR SHIFT
4	71379127	1	DECAL, WARNING, STAND CLEAR
5	700721125	1	DECAL, ATR
6	-----	1	PLATE, SERIAL NUMBER
	70924946	2	RIVET, 1/8 X 9/32
7	71394696	1	DECAL, 9790
8	590769M1	1	DECAL, PATENT
9	71395989	1	DECAL, LUBE GUIDE (PRIOR S/N HN36101)
	71403606	1	DECAL, LUBE GUIDE (EFF. S/N HN36101)
	71406769	1	DECAL, LUBE GUIDE (EFF. S/N HP36101)
10	71379128	1	DECAL, WARNING
11	71394692	1	DECAL, MASSEY FERGUSON
12	71394691	1	DECAL, FIELDSTAR
13	71394690	1	DECAL, MF LOGO
14	700720618	1	DECAL, TIRE USAGE
15	700721781	1	DECAL, WARNING, KEEP OFF
16	111095W1	2	DECAL, DANGER, HEADER FALLING
17	112967W1	1	DECAL, MASSEY FERGUSON
18	71379129	1	DECAL, WARNING, KEEP OFF
19	700717403	2	REFLECTOR, AMBER
20	71395757	1	EMBLEM, MF
21	71365412	1	DECAL, US FLAG
22	71379130	2	DECAL, WARNING, GRAIN TANK
23	111741W1	1	DECAL, DANGER, CLEANOUT
24	700727993	1	DECAL, BATTERY SWITCH (EFF. S/N HR36101)

MC00326
PR: 456

9790 COMBINE
DECALS & LABELS

RIGHT SIDE & REAR LABELS
(PRIOR S/N HS36101)



**9790 COMBINE
DECALS & LABELS**

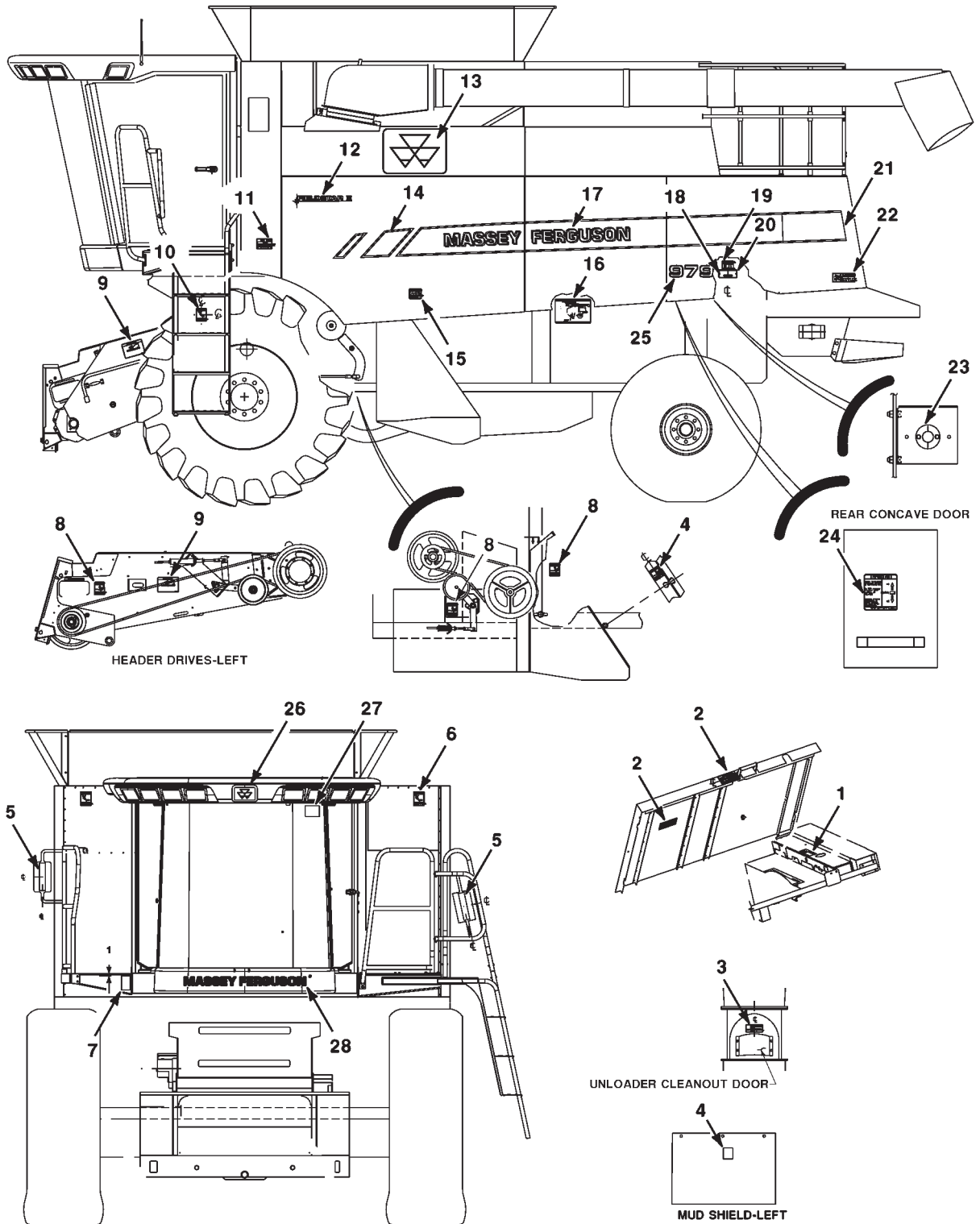
41

**RIGHT SIDE & REAR LABELS
(PRIOR S/N HS36101)**

ITEM	NUMBER	QTY	DESCRIPTION
1	111091W1	2	DECAL, DANGER, SHIELD MISSING
2	111095W1	2	DECAL, DANGER, HEADER FALLING
3	111670W1	2	DECAL, WARNING, BELT OR CHAIN (QTY 2 PRIOR S/N HR36101)
4	700720727	1	DECAL, DANGER, SHIELD MISSING
5	71379128	1	DECAL, WARNING
6	71371720	1	DECAL, DANGER, ENGAGE RAM STOP
7	2609080W1	1	DECAL, HEAD LOWER ADJUST
8	71395988	1	DECAL, LUBE GUIDE (PRIOR S/N HP36101)
	71406770		DECAL, LUBE GUIDE (EFF. S/N HP36101)
9	700721125	1	DECAL, ATR
10	71379127	2	DECAL, WARNING, STAND CLEAR
11	71379129	2	DECAL, WARNING, KEEP OFF
12	71394697	1	DECAL, 9790
13	71394693	1	DECAL, MASSEY FERGUSON
14	71394691	1	DECAL, FIELDSTAR
15	71394690	2	DECAL, MF LOGO
16	71348560	1	DECAL, DANGER, USE NITROGEN
17	71379126	1	DECAL, WARNING, FLUID PRESSURE
18	71394175	1	DECAL, VALVE STACK
19	111743W1	2	DECAL, WARNING, HAND AWAY
20	71379434	1	EMBLEM, SMV
	7883275	2	SCR, HEX WSHR HD MACH, 1/4-20 X 3/4
	70931209	2	NUT, SERR FLANGE, 1/4-20
	70917377	2	WASHER, 1/4, WIDE
	70916952	2	WING NUT, 1/4-20
21	700717404	4	REFLECTOR, RED/ORANGE
22	700717402	4	REFLECTOR, RED
23	111736W2	1	DECAL, DANGER, STOP ENGINE
24	71368074	1	DECAL, BIN LOADER
25	590817M1	1	DECAL, HYDRAULIC RESERVOIR
26	71387749	1	DECAL, DANGER, STARTING FLUID
27	71389158	1	LABEL, EXIT
28	700725670	1	DECAL, WARNING
29	71395762	1	DECAL, DANGER
30	700720605	1	DECAL, WARNING, RADIATOR CAP
31	71385793	1	DECAL, AIR CONDITNING (PRIOR S/N HP36101)
32	71379132	2	DECAL, WARNING
33	71392776	1	DECAL, V.S. FAN DRIVE
34	71370232	1	DECAL, ACCUMULATOR SHUT-OFF
35	700729396	1	DECAL, BIODIESEL

MC00325
PR: 458

LEFT SIDE & FRONT LABELS
(EFF. S/N HS36101)



9790 COMBINE
DECALS & LABELS

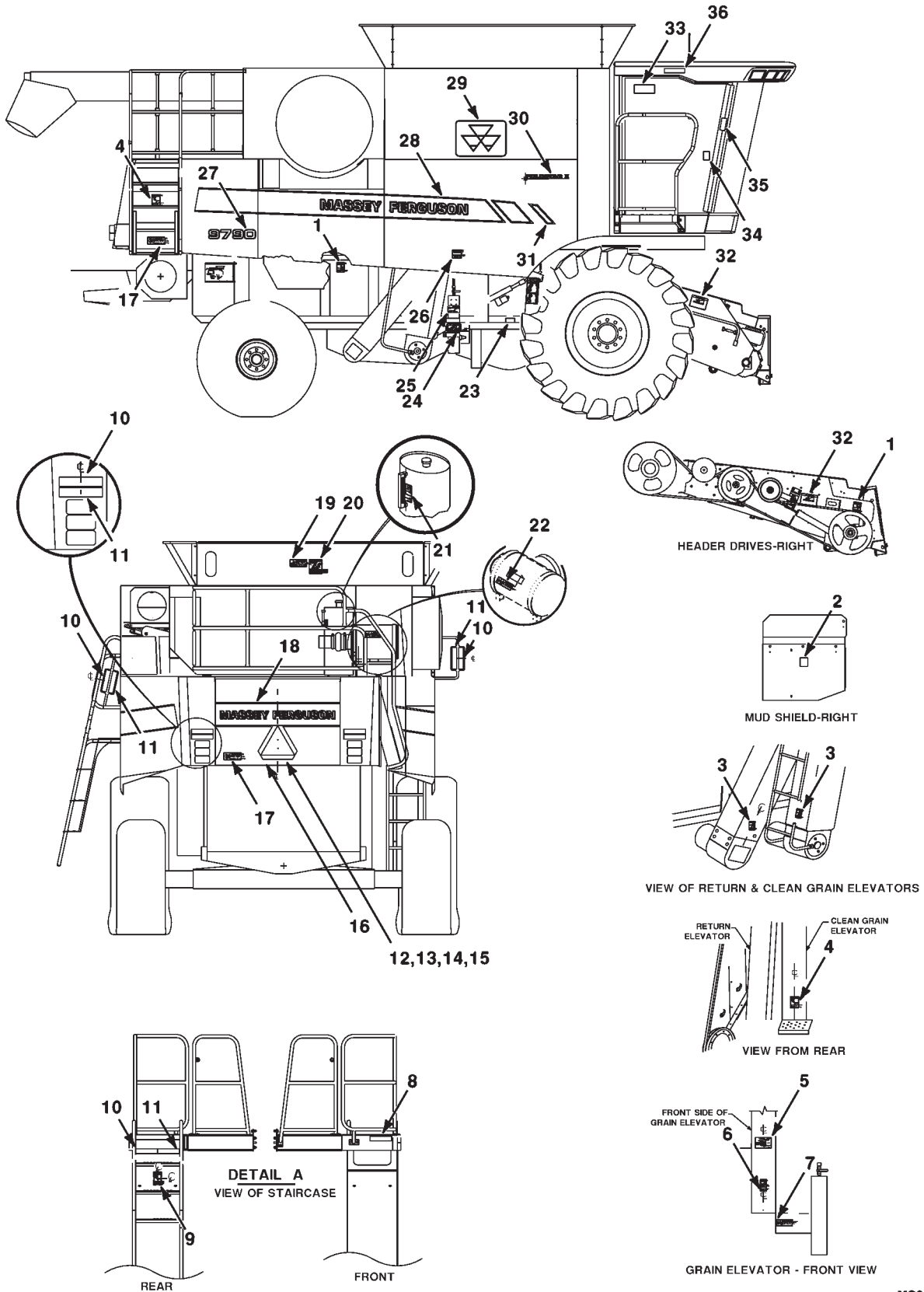
43

LEFT SIDE & FRONT LABELS
(EFF. S/N HS36101)

ITEM	NUMBER	QTY	DESCRIPTION
1	700720605	1	DECAL-WARNING, RADIATOR CAP
2	71379132	2	DECAL-WARNING, BELT, FAN
3	111741W1	1	DECAL-DANGER, CLEANOUT
4	111670W1	2	DECAL-WARNING, BELT OR CHAIN
5	700717403	2	DECAL-REFLECTOR, AMBER
6	71379130	1	DECAL-WARNING, GRAIN TANK
7	71379129	1	DECAL-WARNING, FALLING OFF
8	111091W1	3	DECAL, DANGER, SHIELD MISSING
9	111095W1	2	DECAL-DANGER, HEADER FALLING
10	700721781	1	DECAL-WARNING, KEEP OFF
11	700720618	1	DECAL-TIRE USAGE
12	700729424	1	DECAL-FIELDSTAR II
13	700727848	1	DECAL-MF
14	700727841	1	DECAL-MF, FRONT, LEFT
15	71379128	1	DECAL-WARNING, SHIELDS IN PLACE
16	700728779	1	DECAL-LUBE INTERVAL
17	700727843	1	DECAL-MF, LEFT
18	70924946	2	RIVET, 1/8 X 9/32
19	590769M1	1	DECAL-PATENT
20	- - - - -	1	PLATE-SERIAL (NOT SERVICE)
21	700729423	1	DECAL-STRIPE, LEFT REAR
22	71379127	1	DECAL-WARNING, STAND CLEAR
23	700727993	1	DECAL-BATTERY SWITCH
24	71407700	1	DECAL-CYLINDER GEAR SHIFT
25	700729399	1	DECAL-9790
26	71395757	1	EMBLEM, MF
27	71365412	1	DECAL, U.S. FLAG
28	112967W1	1	DECAL, MASSEY FERGUSON

MC00567
PR: 71418088-03-12

RIGHT SIDE & REAR LABELS
(EFF. S/N HS36101)



9790 COMBINE
DECALS & LABELS

45

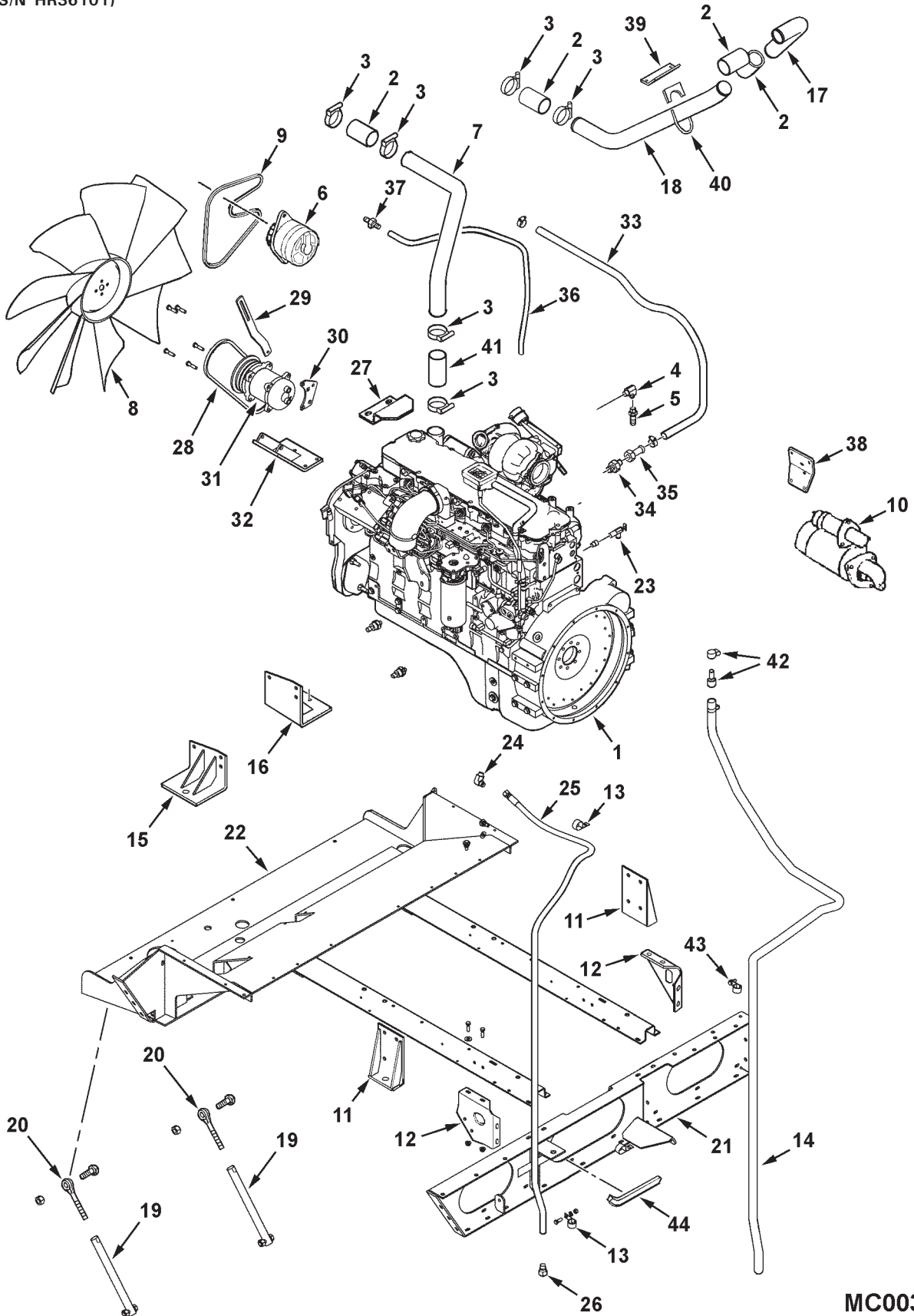
RIGHT SIDE & REAR LABELS
(EFF. S/N HS36101)

ITEM	NUMBER	QTY	DESCRIPTION
1	111091W1	2	DECAL-DANGER, SHIELD MISSING
2	111670W1	1	DECAL-WARNING, BELT OR CHAIN
3	111743W1	2	DECAL-WARNING, HANDS AWAY
4	71379129	2	DECAL-WARNING, FALLING OFF
5	700728811	1	DECAL-VALVE STACK
6	71379126	1	DECAL-WARNING, FLUID PRESSURE
7	71348560	1	DECAL-DANGER
8	700717403	1	DECAL-REFLECTOR, AMBER
9	700721781	1	DECAL-WARNING, KEEP OFF
10	700717402	4	DECAL-REFLECTOR, RED
11	700717404	4	DECAL-REFLECTOR, RED/ORANGE
12	7883275	2	SCREW, HEX WSHR HD MACH, 1/4-20 X 3/4
13	70931209	2	NUT, SERR FLANGE, 1/4-20
14	353769X1	2	WASHER, 1/4 HARDENED
15	70916952	2	WING NUT, 1/4-20
16	7020589	1	EMBLEM-SMV
17	71379127	2	DECAL-WARNING, STAND CLEAR
18	700727844	1	DECAL-MF, BACK
19	111736W2	1	DECAL-DANGER, STOP ENGINE
20	71368074	1	DECAL-BIN LOADER
21	700729019	1	DECAL-HYDRAULIC RESERVOIR
22	71387749	1	DECAL-DANGER, STARTING FLUID
23	700720727	1	DECAL-DANGER, BELT OR CHAIN
24	71371720	1	DECAL-DANGER, RAM STOP
25	71370232	1	DECAL-ACCUMULATOR
26	71379128	1	DECAL-WARNING, SHIELDS IN PLACE
27	700729399	1	DECAL-9790
28	700727906	1	DECAL-MF, RIGHT
29	700727848	1	DECAL-MF LOGO
30	700729424	1	DECAL-FIELDSTAR II
31	700727847	1	DECAL-MF, FRONT, RIGHT
32	111095W1	2	DECAL-DANGER, HEADER FALLING
33	700729369	1	DECAL, BIODIESEL
34	71389158	1	LABEL, EXIT
35	700725670	1	DECAL, WARNING
36	71395762	1	DECAL, DANGER

MCO0568
PR: 71418088-03-22

9790 COMBINE
ENGINE

ENGINE & MOUNTS
CUMMINS
(PRIOR S/N HR36101)



**9790 COMBINE
ENGINE**

47

**ENGINE & MOUNTS
CUMMINS
(PRIOR S/N HR36101)**

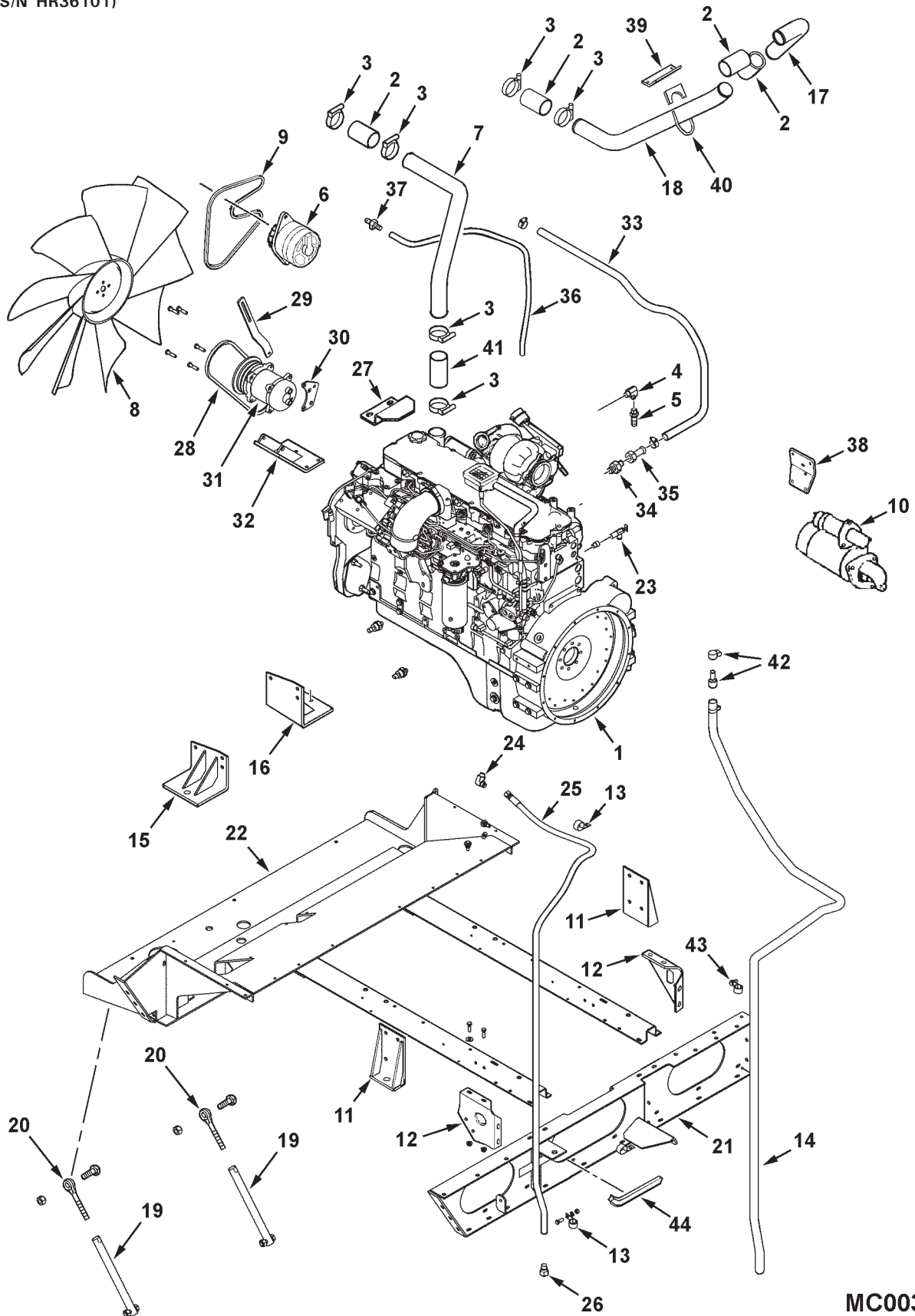
ITEM	NUMBER	QTY	DESCRIPTION
1	71387730	1	*ENGINE, QSL9, 330 HP(PRIOR S/N HP36101)
	71401812	1	*ENGINE, QSL9, 350 HP (EFF. S/N HP36101)
2	71367037	4	HOSE CONNECTOR, 2.25 ID X 4.0 LG
3	71366540	10	CLAMP, CONSTANT TORQUE
4	70919272	1	ELBOW, 90 DEG, 3/4-16 JIC X 3/4 NPTF
5	71351285	1	FITTING, BARB 3/4-16 FEM JIC X .62 HOSE
6	-----	1	ALTERNATOR (SEE ELECTRICAL SECTION)
7	71389409	1	TUBE,COOLNT,UPPR ENG.(PRIOR S/N HP36101)
	71401822	1	TUBE,COOLANT,UPPR ENG.(EFF. S/N HP36101)
8	71396760	1	FAN BLADE ASY. (PRIOR S/N HP36101)
	71404412	1	FAN BLADE ASY. (EFF. S/N HP36101)
	70950046	4	CAPSCREW, M10-1.5 X 120MM
	1107164	4	WASHER, NARR, M10
9	3289213V	1	BELT, FAN/ALT. DRIVE (68.5" LG)(PRIOR S/N HP36101)
	71410501V	1	BELT, FAN/ALT. DRIVE (CUMMINS)(EFF. S/N HP36101)
10	71391860	1	STARTER MOTOR (DELCO)
11	71386992	2	BRACKET WLDMT, ENG REAR, LH & RH
	70950453	8	CAPSCREW, M12-1.75 X 35, CL 8.8
	705541	8	WASHER, HARDENED 1/2
	70924744	2	CAPSCREW, 5/8-11 X 1-1/2
	Y705582	2	WASHER, HVY, HARD, 5/8
12	102302M1	2	GUSSET, ENGINE RAIL
	70920415	8	CAPSCREW, 3/8-16 X 1-1/4
	Y704734	8	NUT, HEX FLANGE TOP LOCK, 3/8-16
	70917378	8	WASHER, 3/8 WIDE
13	70936474	3	CLAMP, DOUBLE, 1 DIA X .406 HOLE (PRIOR S/N HP36101)
	70937677	4	J-CLIP, 1" X .406 HOLE (EFF.S/N HP36101)
	70921210	4	CAPSCREW, 3/8-16 X 1"
	70916965	4	LOCKWASHER, 3/8
	70916950	4	NUT, 3/8-16 REG
14	-----	1	HOSE, EMISSIONS (SUPPLIED WITH ENGINE) (PRIOR S/N HP36101)
	71396764	1	HOSE, EMISSIONS, 1"ID (EFF. S/N HP36101)
	364125X1	1	CLAMP, WORM GR, .81 - 1.75 DIA
15	71386986	1	BRACKET WLDMT, ENG MTG, LH FRT
16	71386989	1	BRACKET WLDMT, ENG MTG, RH FRT
	70950052	7	CAPSCREW, M12-1.75 X 30, CL8.8
	705541	7	WASHER, HARDENED 1/2
	70924744	2	CAPSCREW, 5/8-11 X 1-1/2
	Y705582	2	WASHER, HVY, HARD, 5/8
17	71388876	1	TUBE, COOLANT, LOWER ENG.
18	71388899	1	TUBE, COOLANT,LWR RAD(PRIOR S/N HP36101)
	71401813	1	TUBE, COOLANT,LWR RAD (EFF. S/N HP36101)
19	71388895	2	BRACE, RAD SUPPORT
	70922664	2	CAPSCREW, 5/8-11 X 2
	70923353	2	NUT, CENTER LOCK, 5/8-11
20	71343344	2	EYEBOLT
	7701329	2	CAPSCREW, 3/4-10 X 2-1/4
	70918269	4	WASHER, FLAT 3/4 NARR
	70919332	2	LOCKWASHER, 3/4
	70913160	6	NUT, 3/4-10 REG

CONTINUED

MC00391
PR: 26

9790 COMBINE
ENGINE

ENGINE & MOUNTS
CUMMINS
(PRIOR S/N HR36101)



**9790 COMBINE
ENGINE**

49

**ENGINE & MOUNTS
CUMMINS
(PRIOR S/N HR36101)**

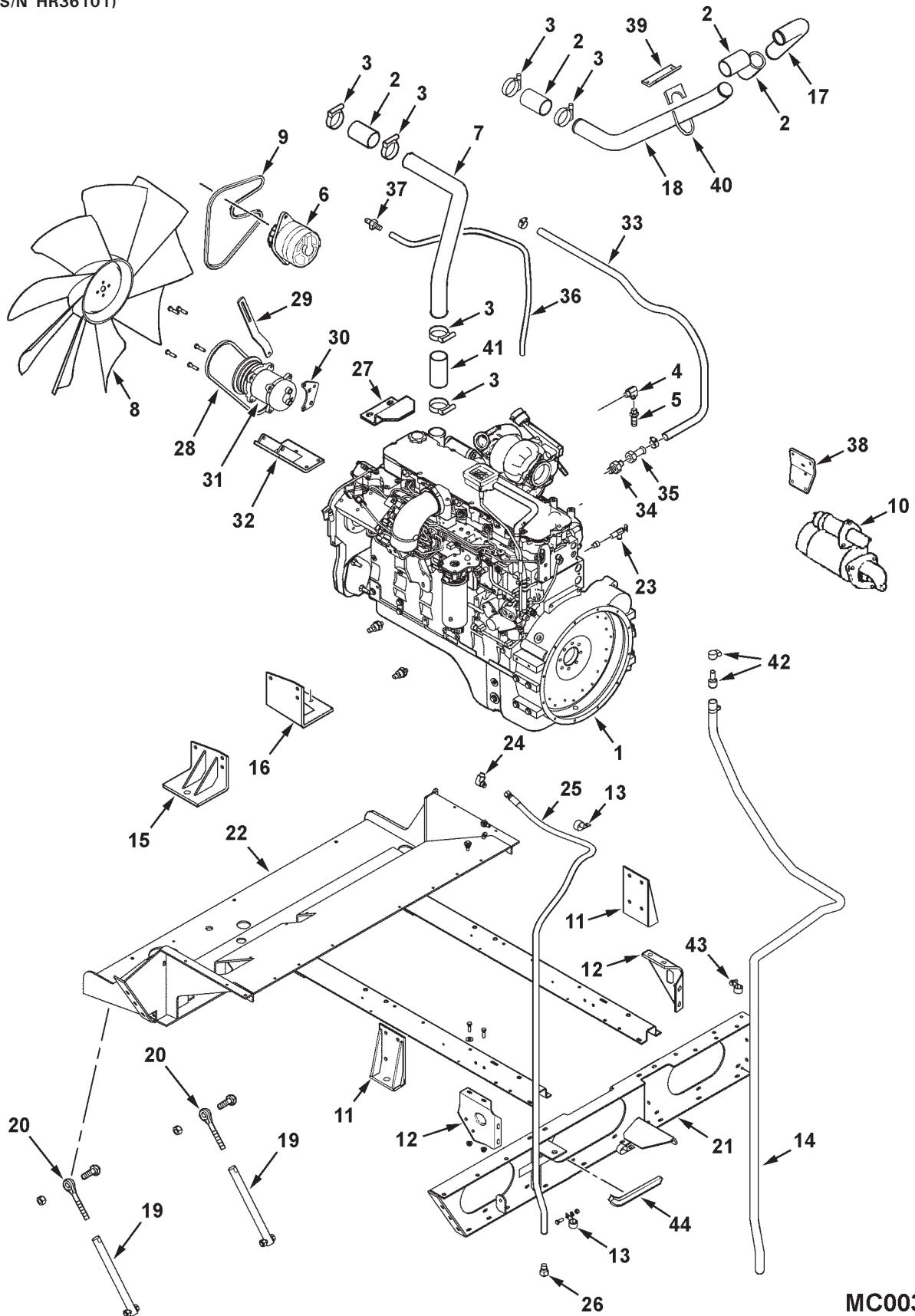
ITEM	NUMBER	QTY	DESCRIPTION
21	71389405	1	SUB FRAME WLMT. LH ENGINE
	70920415	8	CAPSCREW 3/8-16 X 1-1/4
	70917378	8	WASHER, FLAT 3/8-14 GA
	Y704734	8	NUT, HEX FLANGE TOP LOCK, 3/8-16
22	71393512	1	FRAME WLDMT, ENG MOUNT (PRIOR S/N HP36101)
	71401800B	1	FRAME WLDMT, ENG MOUNT(EFF. S/N HP36101)
	70920415	5	CAPSCREW 3/8-16 X 1-1/4
	70917378	5	WASHER, FLAT 3/8-14 GA
	Y704734	12	NUT, HEX FLANGE TOP LOCK, 3/8-16
23	30-3076830	1	VALVE, SHUTOFF
	70936774	1	BUSH,PIPE REDUCER 3/4 MALE X 3/8 FEM
24	1905314M1	1	ELBOW, 90 DEG. 3/4-16 JIC X M18-1.5
25	71382694	1	HOSE, ENGINE OIL DRAIN
	70925094	2	TIE, BLACK NYLON, SELF-LOCK, .18 X 7.3
26	700712973	1	PLUG, 37 DEG. FLARE, 3/4-16
27	71393838	1	SHIELD, SENSOR (PRIOR S/N HP36101)
28	71148120	1	BELT, A/C COMPRESSOR
29	71388877	1	LINK, ADJUSTING, A/C COMP
	1112407	1	CAPSCREW, M10-1.5 X 20
	700708367	2	LOCKWASHER, M10
	70950038	1	CAPSCREW, M10-1.5 X 40
	1107164	1	WASHER, FLAT M10
	7774664	1	NUT, M10-1.5
30	30-3429865	1	PLATE COMPRESSOR
	70950038	2	CAPSCREW, M10-1.5 X 40
	700708367	2	LOCKWASHER, M10
	7774664	2	NUT, M10-1.5
31	71379601	1	A/C COMPRESSOR & CLUTCH ASSEMBLY
32	71385055	1	SUPPORT WLDMT, COMPRESSOR
	72160927	1	SLEEVE, SLIT
	70950038	2	CAPSCREW, M10-1.5 X 40
	700708367	2	LOCKWASHER, M10
	7774664	2	NUT, M10-1.5

CONTINUED

MC00391
PR: 26

9790 COMBINE
ENGINE

ENGINE & MOUNTS
CUMMINS
(PRIOR S/N HR36101)



**9790 COMBINE
ENGINE**

51

**ENGINE & MOUNTS
CUMMINS
(PRIOR S/N HR36101)**

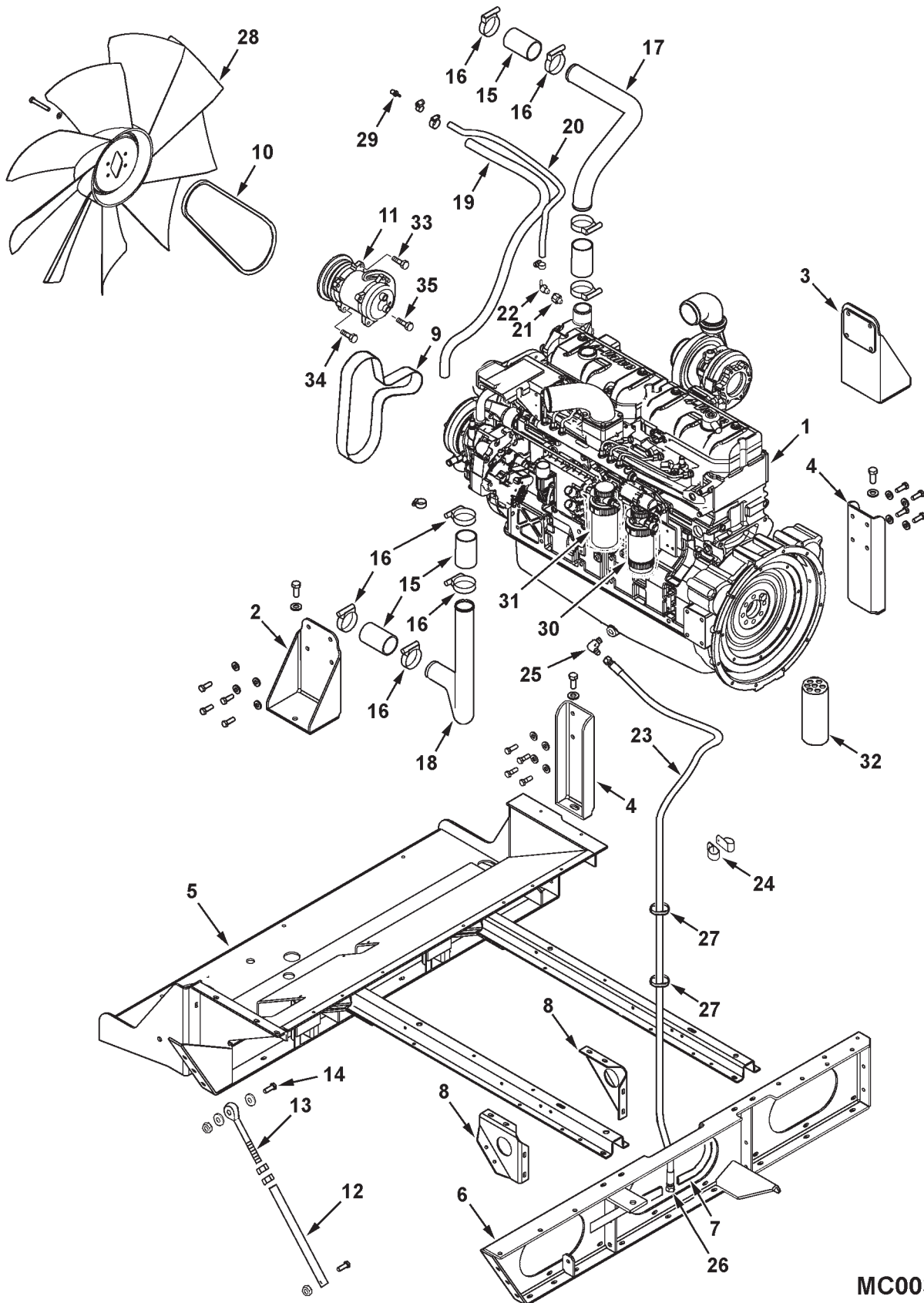
ITEM	NUMBER	QTY	DESCRIPTION
33	71388998	1	HOSE, MAKE-UP, 3/4 ID
	70921911	2	CLAMP, HOSE, WORM DRIVE, #12
34	70919342	1	CONNECTOR, STR, 1-1/16-12 JIC X 3/4 NPTF
35	70920809	1	FITTING, PUSH-ON
36	71391045	1	HOSE, DEAERATION, .38 ID X 40"
	70929402	2	CLAMP, HOSE, WORM, #4M
37	7746449	1	FITTING, HOSE, 3/8 ID X 1/4 NPTF
38	71395734	1	SUPPORT, WATER FILTER(PRIOR S/N HP36101)
39	71393524	1	BRACKET, RAD TUBE
40	70937712	1	CLAMP, EXHAUST, 2-3/8 DIA
41	71369670	1	HOSE, CONNECTOR (EFF. S/N HP36101)
42	71408408	1	REDUCER, 1" X 1/2 DIA
	70921911	1	CLAMP, HOSE, WORM DRIVE, #12
43	70937684	4	J-CLIP, 1.25 X .406 HOLE (EFF. S/N HP36101)
44	700718444	1	TRIM, EDGE PROTECTOR
-	72511906	1	FUEL FILTER/WATER SEPARATOR (TIER 2, PRIOR S/N HP36101)
-	71410009	1	FILTER, FUEL (TIER 3, EFF. S/N HP36101)
-	71410010	1	FILTER, FUEL/WATER SEPARATOR (TIER 3, EFF. S/N HP36101)
-	72516560	1	FILTER, ENGINE OIL
-	71372880	1	FILTER, COOLANT (23 UNITS DCA-4/FULL FILL) (TIER 2 ENG. ONLY. TIER 3 NO FILTER)
-	3942197	1	HEATER, BLOCK, 120V, 1000 WATT (PRIOR S/N HP36101)(ORDER FROM CUMMINS)
-	3913106	1	CORD, 12" LG. (PRIOR S/N HP36101)

*NOTE: FOR SERVICE REFERENCE CUMMINS
OPERATION & MAINTENANCE MANUALS AND
CUMMINS ENGINE PARTS CATALOGUES
AND, OR CEPC/ QSOL SYSTEM

MCO0391
PR: 26

9790 COMBINE
ENGINE

ENGINE & MOUNTS
SISU
(EFF. S/N HR36101)



**9790 COMBINE
ENGINE**

53

**ENGINE & MOUNTS
SISU
(EFF. S/N HR36101)**

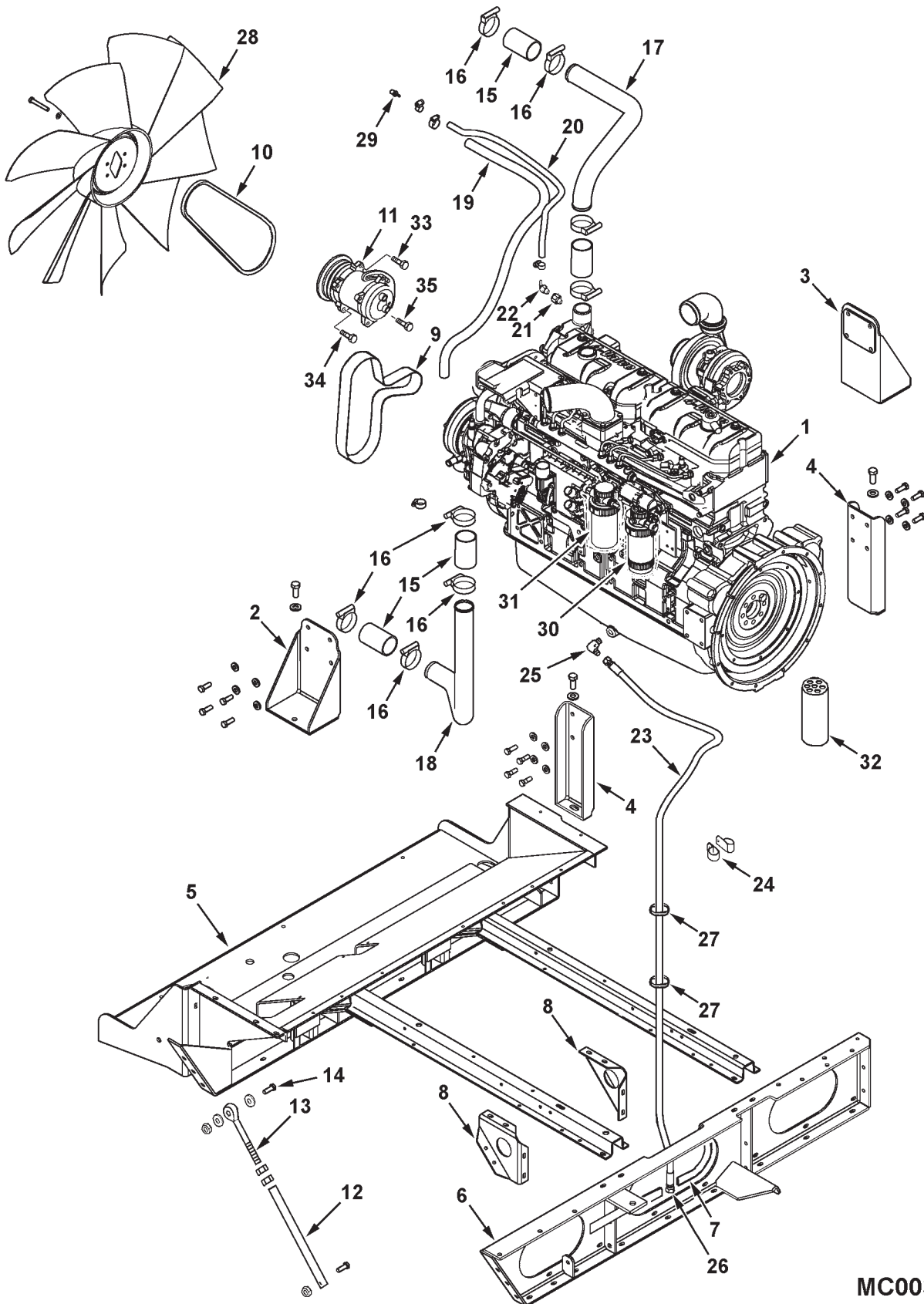
ITEM	NUMBER	QTY	DESCRIPTION
1	V835261462	1	ENGINE ASY, TIER 3, SISU
2	71409064	1	MOUNT BRACKET WLMT, FRONT RH
3	71409065	1	MOUNT BRACKET WLMT, REAR RH
	70924744	2	CAPSCREW, 5/8-11 X 1-1/2 GR5
	Y705582	2	WASHER, HARD, .688 X 1.34 X .13 TH
	70950453	6	CAPSCREW, M12-1.75 X 35 CL8.8
	705541	6	WASHER, HARD, .531 X 1.09 X .097 TH
4	71405966	2	MOUNT BRACKET, ENG., LEFT
	70924744	2	CAPSCREW, 5/8-11 X 1-1/2 GR5
	Y705582	2	WASHER, HARD, .688 X 1.34 X .13 TH
	7703275	8	CAPSCREW, M12-1.75 X 25 CL8.8
	705541	8	WASHER, HARD, .531 X 1.09 X .097 TH
5	71401800	1	SUBFRAME WLMT, ENGINE
	70920415	9	CAPSCREW, 3/8-16 X 1-1/4 GR5
	70917378	9	WASHER, 3/8, WIDE
	Y704734	16	NUT, HEX FLANGE TOP LOCK, 3/8-16
6	71389405	1	SUB-FRAME WLDMT. LH ENGINE
	70920415	16	CAPSCREW, 3/8-16 X 1-1/4 GR5
	70917378	16	WASHER, 3/8, WIDE
	Y704734	16	NUT, HEX FLANGE TOP LOCK, 3/8-16
7	700718444	1	TRIM, PUSH-ON
8	102302M1	2	GUSSET, ENGINE RAIL
	70920415	4	CAPSCREW, 3/8-16 X 1-1/4 GR5
	70917378	4	WASHER, 3/8, WIDE
	Y704734	4	NUT, HEX FLANGE TOP LOCK, 3/8-16
9	V685121585	1	BELT, FAN & ALT'R DRIVE
10	71148120	1	BELT, A/C COMPRESSOR DRIVE
11	71379601	1	A/C COMPRESSOR & CLUTCH ASY.
	71386436	1	CLUTCH ASY (SEALED BRG.)
12	71388895	2	BRACE, TUBE
	70922664	2	CAPSCREW, 5/8-11 X 2 GR5
	70923353	2	NUT, CENTER LOCK, 5/8-11
13	71343344	2	EYE-BOLT, 3/4-10 UNC
	70913160	4	NUT, 3/4-10, REG
14	70925872	2	CAPSCREW, 3/4-10 X 2-1/4 GR5
	70918269	4	WASHER, 3/4, NARROW
	70919332	2	LOCKWASHER, 3/4
	70913160	6	NUT, 3/4-10, REG
15	71367037	4	SLEEVE CONN. 2.25 ID X 4.0
16	71366540	8	CLAMP, CONSTANT TORQUE

CONTINUED

MC00398
PR: t05I09o11c0001

9790 COMBINE
ENGINE

ENGINE & MOUNTS
SISU
(EFF. S/N HR36101)



**9790 COMBINE
ENGINE**

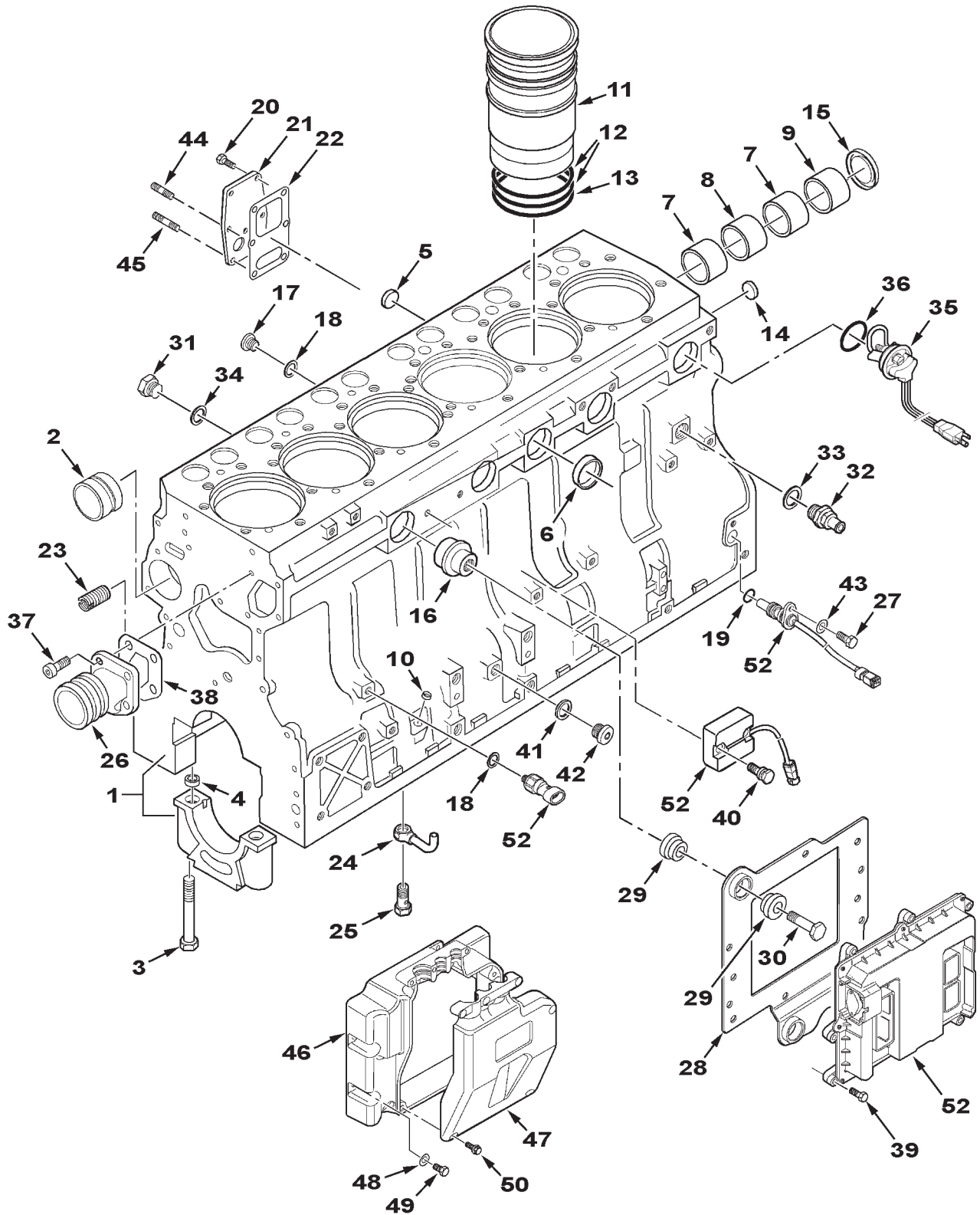
55

**ENGINE & MOUNTS
SISU
(EFF. S/N HR36101)**

ITEM	NUMBER	QTY	DESCRIPTION
17	71406606	1	TUBE, UPPER COOLANT, ENG. TO RAD
18	71405963	1	TUBE, LOWER COOLANT, ENG. TO RAD
19	71408686	1	HOSE, SHUNT, 3/4 ID
	70921911	2	CLAMP, WORM DRIVE, .69-1.25 DIA
20	71408687	1	HOSE, DEAERATION, 3/16 ID X 33.5"
	70929402	2	CLAMP, WORM DRIVE, .22-.63 DIA
21	700716238	1	ADAPTER, M10 ORB X 1/8 NPTF FEM
	700716061	1	O-RING, METRIC, 1.6 X 8.10 ID
22	71406629	1	ELBOW, 90 DEG, 1/8 NPTF X 3/16 STEM
23	71409066	1	HOSE ASY, ENG OIL DRAIN
24	70937677	4	J-CLIP, 1 DIA X .406 HOLE
	70937684	4	J-CLIP, 1-1/4 DIA X .406 HOLE
	70921210	4	CAPSCREW, 3/8-16 X 1 GR5
	70916965	4	LOCKWASHER, 3/8
	70916950	4	NUT, 3/8-16
25	3019418X91	1	ELBOW,90 D, M22-1.5 ORB X 7/8-14 JIC M
	3019398X1	1	O-RING, METRIC, 2.1 X 19.4 ID
	70924290	1	PLUG, 37 DEG. FLARE, 7/8-14
26	3619622M1	2	TIE, NYLON LOCKING, .184 X 14.2 LG
27	71407844	1	FAN BLADE ASY.
28	3009213X1	6	SCREW, HEX FLNG, M10-1.5 X 60 CL10.9
	390734X1	6	WASHER, M10, STD
29	71406628	1	COUPLING, 1/4 NPTF X 3/16 BARB STEM
30	V836867591	1	PRE-FILTER, FUEL
31	V836867595	1	FILTER, FUEL, MAIN
32	V836362567	1	FILTER, OIL
33	7703242	1	CAPSCREW, M10-1.5 X 45 CL8.8
	70917378	1	WASHER, 3/8, WIDE
	700708367	1	LOCKWASHER, M10
	7774664	1	NUT, M10-1.5
34	7771728	1	CAPSCREW, M10-1.5 X 40 CL8.8
	700708367	1	LOCKWASHER, M10
	7774664	1	NUT, M10-1.5
35	72160927	1	SLEEVE
	7771728	1	CAPSCREW, M10-1.5 X 40 CL8.8
	700708367	1	LOCKWASHER, M10
	7774664	1	NUT, M10-1.5

MC00398
PR: t05I09o11c0001

CYLINDER BLOCK
SISU



9790 COMBINE
ENGINE

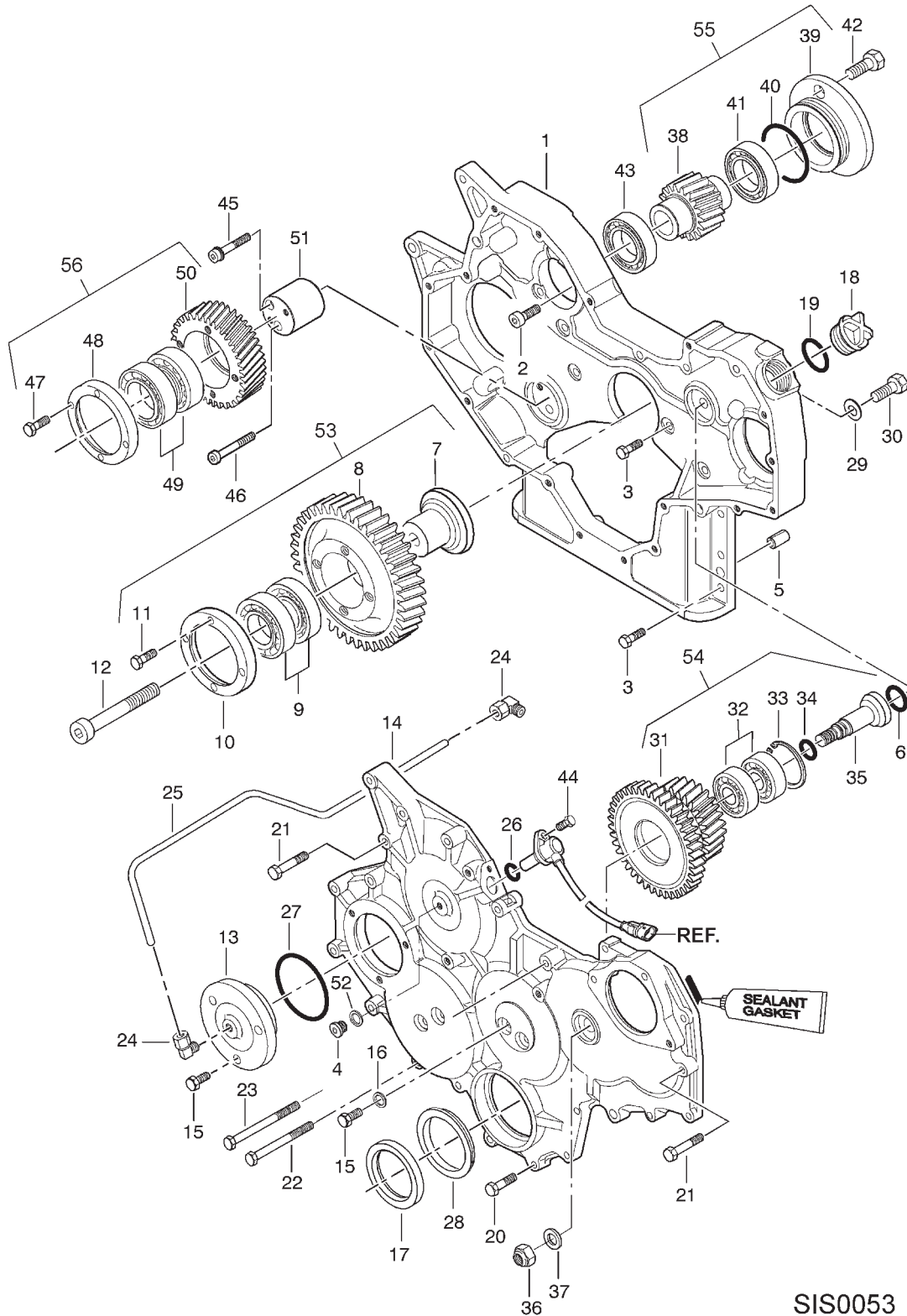
57

CYLINDER BLOCK
SISU

ITEM	NUMBER	QTY	DESCRIPTION
1	V836867046	1	BLOCK, CYLINDER (INCLS. ITEMS 2-9)
2	V836866069	1	BUSHING
3	V529903180	14	SCREW
4	V836214478	24	GUIDE
5	V640016018	1	PLUG, CUP
6	V640016040	4	PLUG, CUP
7	V836852460	2	BUSHING
8	V836852459	1	BUSHING
9	V836852461	1	BUSHING
10	V640016012	1	PLUG, CUP
11	V836867048	6	LINER, CYLINDER
	V836867050	AR	LINER, CYLINDER (9.08MM)
12	V836855446	12	O-RING
13	V836855447	6	O-RING
14	V640016016	4	PLUG, CUP
15	V836852744	1	PLUG
16	V837069057	1	PLUG
17	V640325110	5	PLUG
18	V615571014	5	RING, SEAL
19	VKH7070	1	O-RING
20	V528801380	5	SCREW, M8 X 20
21	V836855678	1	COVER
22	V836322852	1	GASKET
23	V836859153	1	NIPPLE, THREADED
24	V837070021	6	PIPE
25	V836338601	6	VALVE
26	V836855629	1	PIPE
27	V528801362	5	SCREW, M8 X 16
28	V837070147	1	BRACKET
29	V837069052	6	BUSHING, RUBBER
30	V837069056	3	SCREW
31	V836119079	1	PLUG
32	V836664377	1	COCK
33	V615881824	1	RING, SEAL
34	V615881620	1	RING, SEAL
35	V836840934	1	BLOCK HEATER, 110V, 1000W
36	V836840998	1	O-RING
37	V581804600	4	SCREW, M8 X 20
38	V836855554	1	GASKET
39	V529801102	8	SCREW, M6 X 25
40	V837070197	2	SCREW
41	V615881420	1	RING, SEAL
42	V640325014	1	PLUG
43	V500050840	1	WASHER
44	V546801360	1	STUDBOLT, M8 X 16
45	V546801400	1	STUDBOLT, M8 X 25
46	V837070285	1	HOUSING
47	V837070286	1	COVER
48	V500150642	5	WASHER
49	V581804182	5	SCREW, M6 X 12
50	V590253388	6	SCREW, 5.1 X 14
52	-----	-	SEE ENGINE ELECTRICAL

SIS0054
PR: t05109o11c0002

FRONT GEAR HOUSING
SISU



SIS0053

9790 COMBINE
ENGINE

59

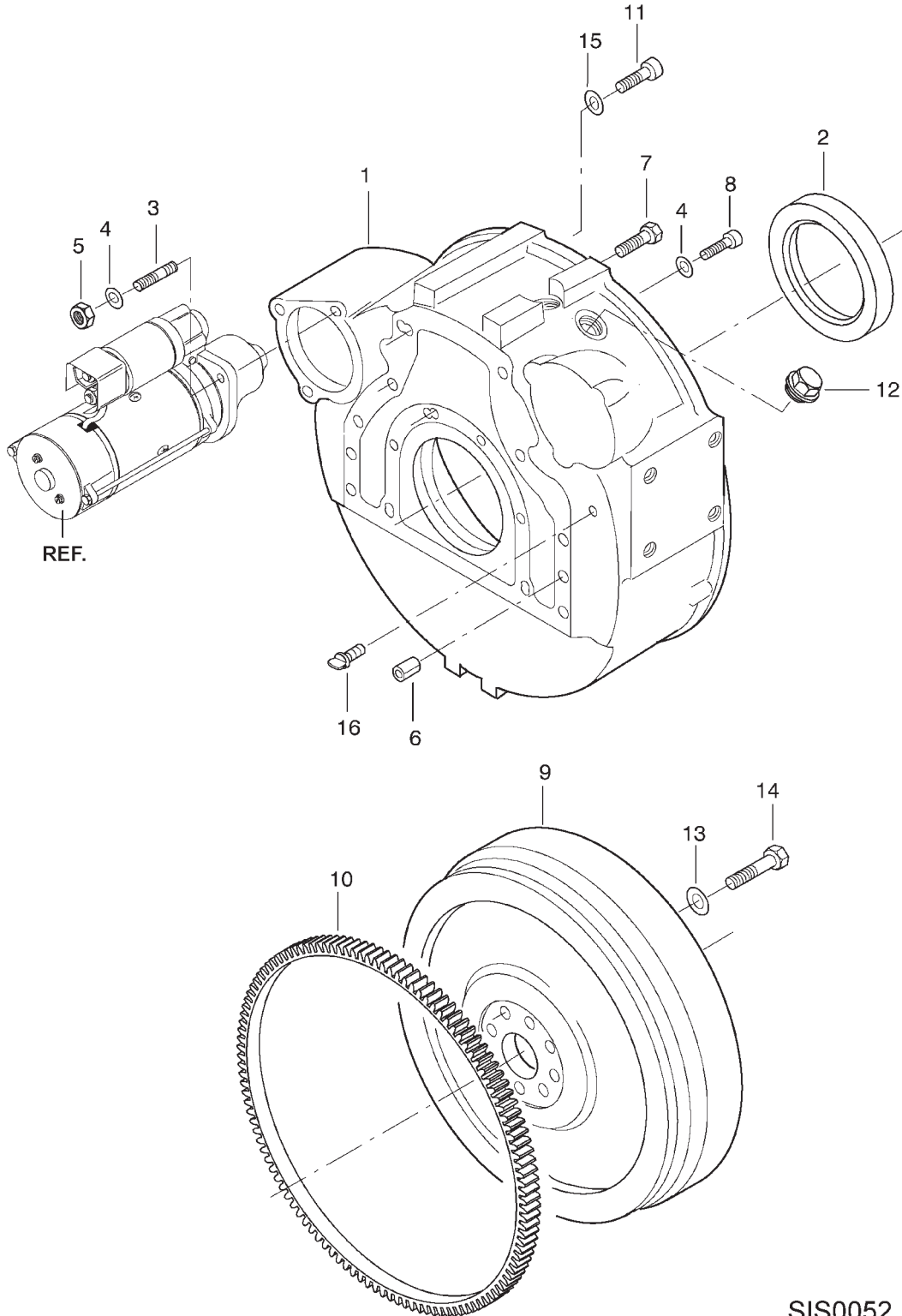
FRONT GEAR HOUSING
SISU

ITEM	NUMBER	QTY	DESCRIPTION
1	V837070107	1	HOUSING, GEAR
2	V581804620	2	SCREW, M8X25
3	V528801400	12	SCREW, M8X25
4	V640325110	1	PLUG
5	VJE8802	2	PIN
6	V614601924	1	O-RING
7	V836855562	1	SHAFT
8	V837070000	1	GEAR
9	V610072109	2	BEARING
10	V836855565	1	FLANGE
11	V528901400	4	SCREW, M8X25
12	V581705910	1	SCREW, M14X70
13	V837070179	1	COVER, LOCK
14	V837070108	1	COVER, FRONT
15	V528801380	7	SCREW, M8X20
16	V615870814	4	RING, SEAL
17	V836840883	1	SEAL, OIL
18	V836017927	1	CAP
19	V614603540	1	O-RING
20	V528801410	10	SCREW, M8X30
21	V529801440	9	SCREW, M8X45
22	V529801510	1	SCREW, M8X50
23	V529801550	1	SCREW, M8X95
24	V641166006	2	UNION
25	V836867775	1	PIPE
26	VKH7070	1	O-RING
27	V614606825	1	O-RING
28	V836855636	1	PLATE, SHIELD
29	V500951200	1	WASHER
30	V528902200	1	SCREW, M12X25
31	V837070113	1	GEAR
32	V610073040	2	BEARING
33	V617330052	1	CIRCLIP
34	V614601324	1	O-RING
35	V837069069	1	SHAFT
36	V504601400	1	NUT, M14
37	V837069070	1	WASHER
38	V837070005	1	SHAFT
39	V836855651	1	COVER
40	V614609430	1	O-RING
41	VLA1014	1	BEARING
42	V528802602	2	SCREW, M14X25
43	VLA1014	1	BEARING
44	V528801062	1	SCREW, M6X16
45	V580704670	1	SCREW, M8X50
46	V581704710	1	SCREW, M8X70
47	V528901400	4	SCREW, M8X25
48	V836855565	1	FLANGE
49	V610072109	2	BEARING
50	V837070002	1	GEAR
51	V837070003	1	SHAFT
52	V615571014	1	RING, SEAL
53	V837070001	1	GEAR ASSY (INCLS ITEMS 7-11)
54	V837070072	1	GEAR ASSY (INCLS ITEMS 31-35)
55	V837070137	1	DRIVE ASSY (INCLS ITEMS 38-41)
56	V837070004	1	GEAR ASSY (INCLS ITEMS 47-51)

SIS0053
PR: t05I09o11c0003

9790 COMBINE
ENGINE

FLYWHEEL AND HOUSING
SISU



9790 COMBINE
ENGINE

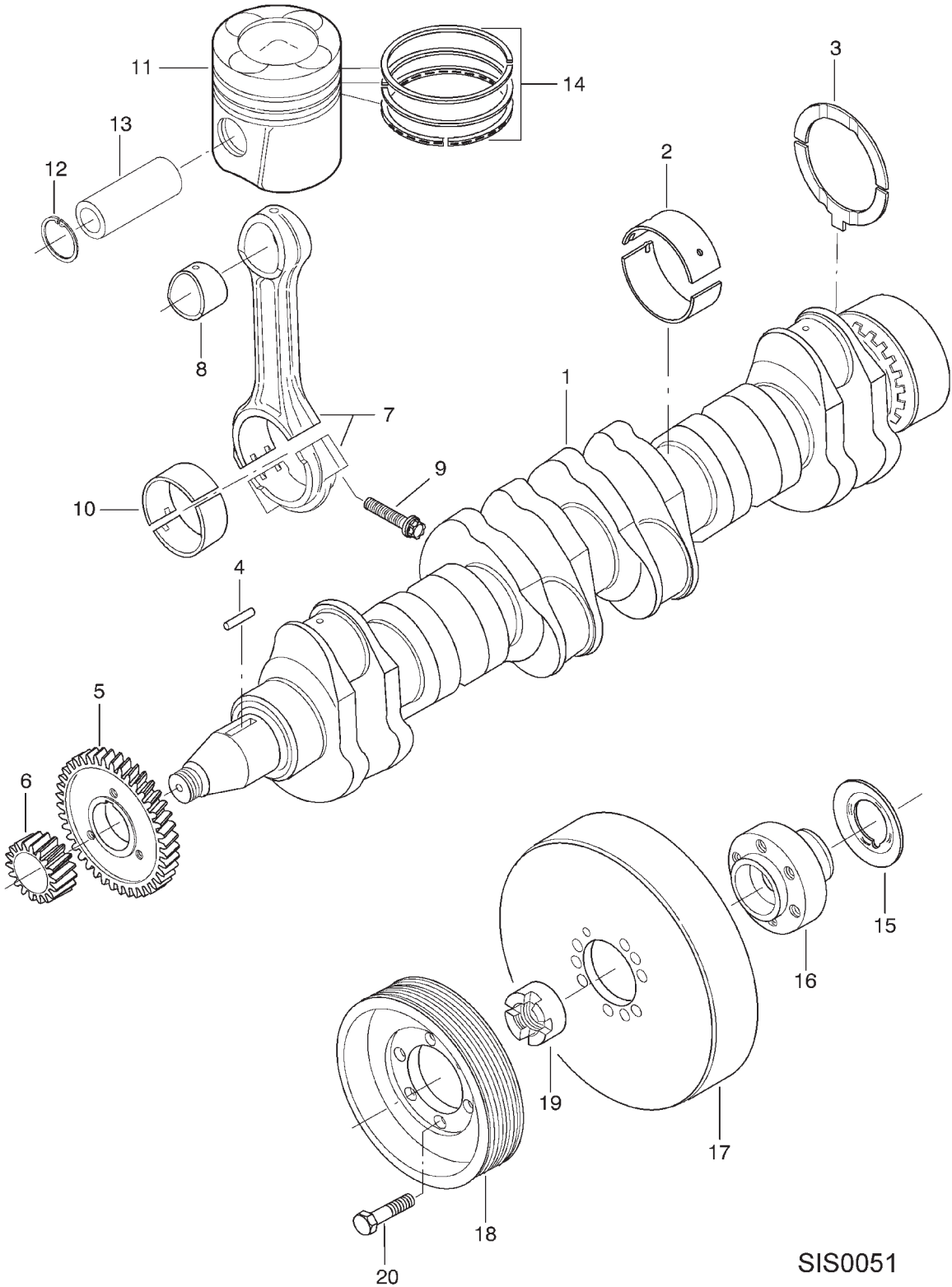
61

FLYWHEEL AND HOUSING
SISU

ITEM	NUMBER	QTY	DESCRIPTION
1	V836652468	1	HOUSING, FLYWHEEL
2	V836840884	1	SEAL, OIL
	V836020054	AR	RING, SEAL SPACER (2.0MM)
3	V546801800	3	STUDBOLT, M10X25
4	V500951000	6	WASHER
5	V504601000	3	NUT, M10
6	VJE8802	2	PIN
7	V528902220	6	SCREW, M12X35
8	V581705030	6	SCREW, M10X30
9	V836859485	1	FLYWHEEL (INCLS RING GEAR ITEM 10)
10	V836117943	1	GEAR, RING
11	V581705440	2	SCREW, M12X35
12	V640045126	1	PLUG
13	V500951400	8	WASHER
14	V529702630	8	SCREW, 200NM
15	V500951200	1	WASHER
16	V836859311	1	PLUG

SIS0052
PR: t05109o11c0004

CRANKSHAFT
SISU



SIS0051

9790 COMBINE
ENGINE

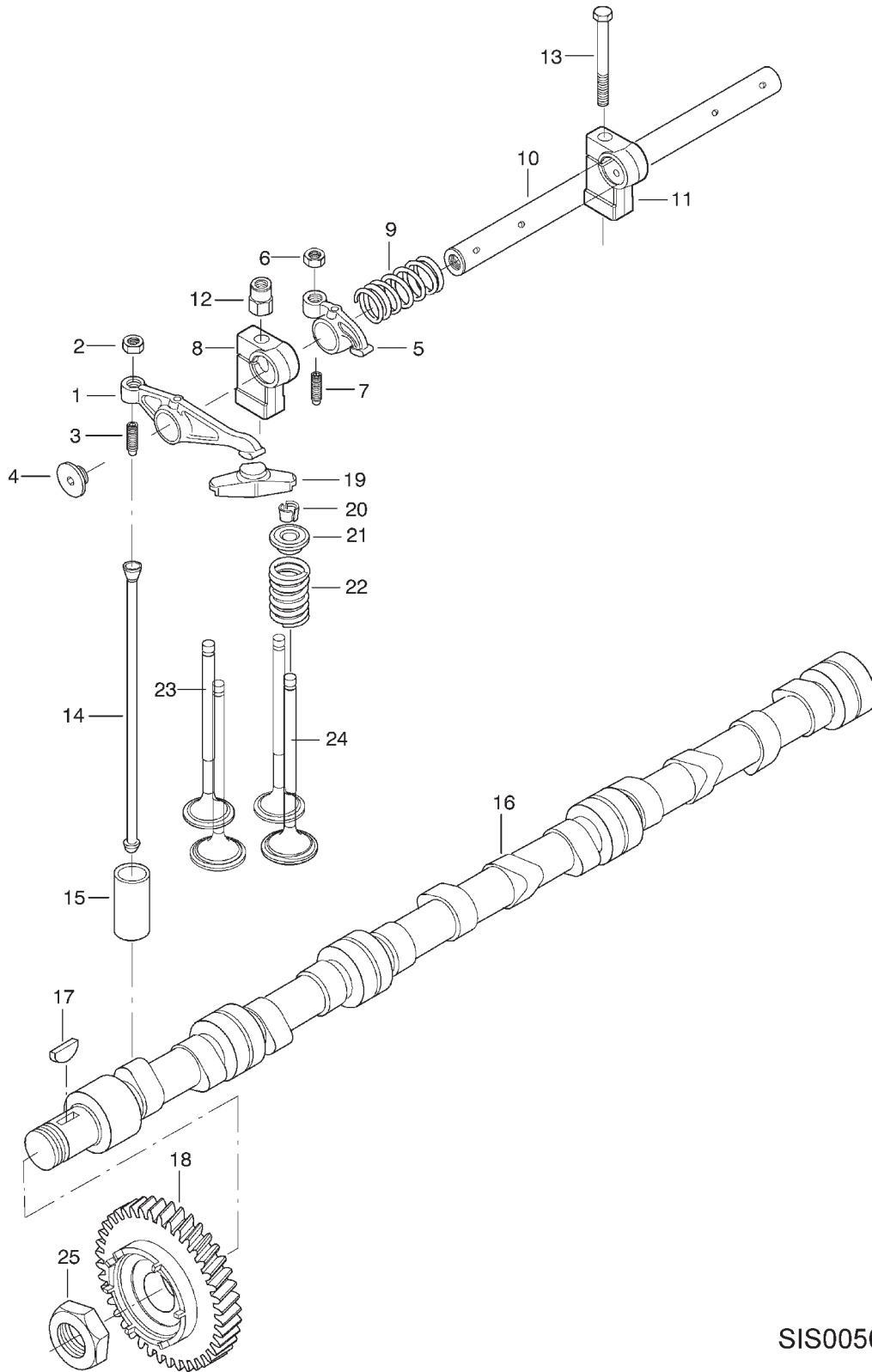
63

CRANKSHAFT
SISU

ITEM	NUMBER	QTY	DESCRIPTION
1	V837069088	1	CRANKSHAFT
2	V836840944	7	BEARING, MAIN (STD)
	V836840978	7	BEARING, MAIN (-0.25MM)
	V836840979	7	BEARING, MAIN (-0.50MM)
	V836840980	7	BEARING, MAIN (-1.00MM)
	V836840981	7	BEARING, MAIN (-1.50MM)
3	V836840945	2	PLATE, THRUST (STD)
	V836840982	2	PLATE, THRUST (-.10MM)
	V836840983	2	PLATE, THRUST (-.20MM)
4	V836855525	1	KEY
5	V836855558	1	GEAR
6	V837069060	1	GEAR
7	V836340948	AR	KIT, CONNECTING ROD (INCLS 6 RODS IN SAME WEIGHT CLASS & ITEMS 8 & 9)
	-----	6	ROD, CONNECTING (STAMPED E, ON LOWER) BEARING CAP)(NOT SERVICED)
	-----	6	ROD,CONNECTING (STAMPED F)(NOT SERVICED)
	-----	6	ROD,CONNECTING (STAMPED G)(NOT SERVICED)
	-----	6	ROD,CONNECTING (STAMPED H)(NOT SERVICED)
	-----	6	ROD,CONNECTING (STAMPED I)(NOT SERVICED)
	-----	6	ROD,CONNECTING (STAMPED J)(NOT SERVICED)
	-----	6	ROD,CONNECTING (STAMPED K)(NOT SERVICED)
			CONN ROD INCLS ITEMS 8&9
8	V836864288	6	BUSHING
9	V836864141	12	SCREW, TORX E18
10	V836336302	6	BEARING, ROD (STD)
	V836338650	6	BEARING, ROD (-0.25MM)
	V836338651	6	BEARING, ROD (-0.50MM)
	V836338652	6	BEARING, ROD (-1.00MM)
	V836338653	6	BEARING, ROD (-1.50MM)
	3637625M1	AR	BUSHING, OUTER, CONN ROD BRG (+0.5MM)
11	V837070185	6	PISTON ASSY (INCLS ITEMS 12,13,14)
12	-----	12	CIRCLIP (SERVICED IN ITEM 11)
13	-----	6	PIN, PISTON (SERVICED IN ITEM 11)
14	V836840887	6	SET, PISTON RING
15	V836855637	1	RING
16	V836855641	1	HUB
17	V836840882	1	DAMPER, VIBRATION
18	V836855690	1	PULLEY
19	V836322221	1	NUT, SLOTTED
20	V528902230	6	SCREW, M12 X 40

SIS0051
PR: t05l09o11c0005

CAMSHAFT AND VALVE TRAIN
SISU



9790 COMBINE
ENGINE

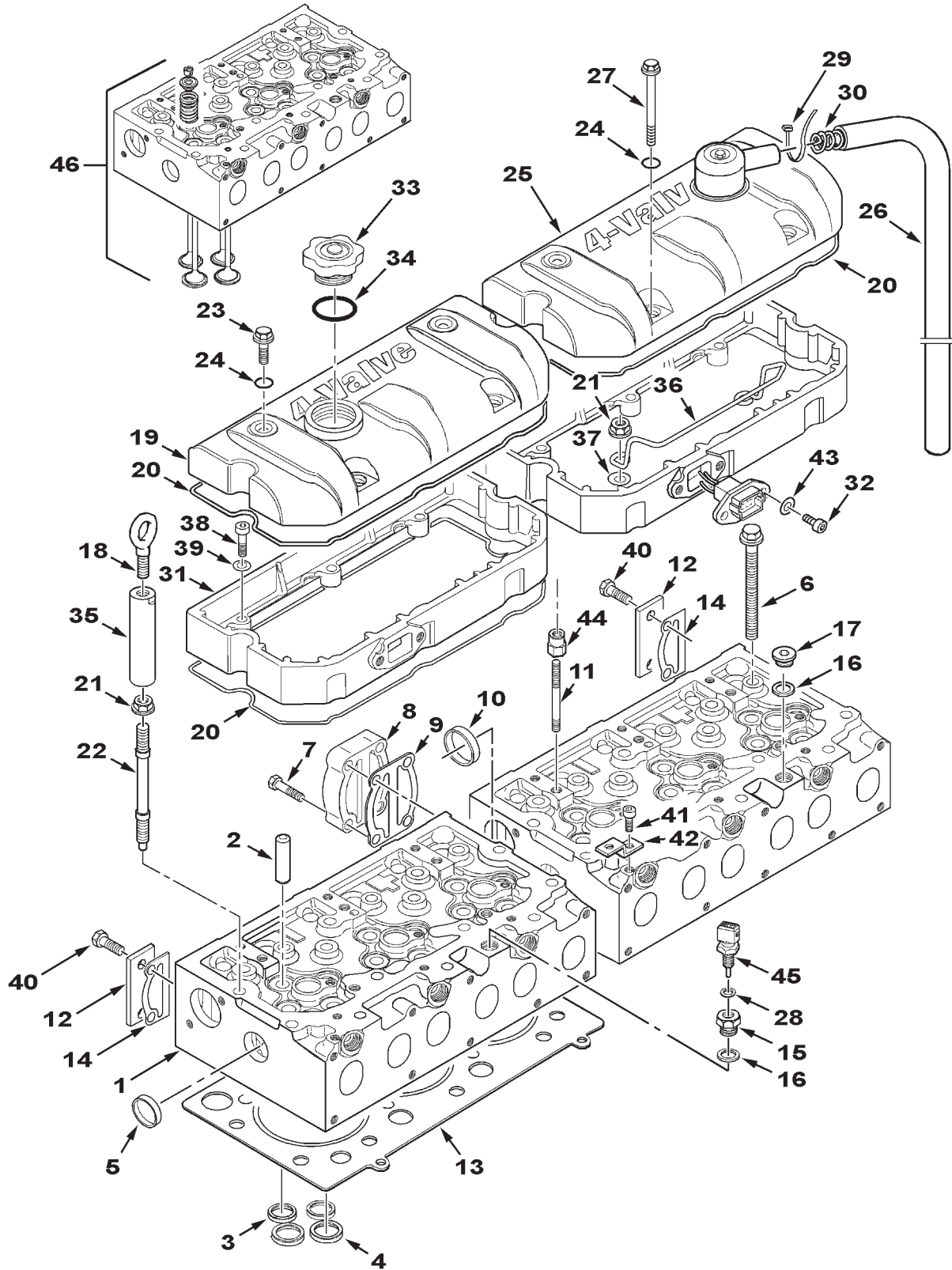
65

CAMSHAFT AND VALVE TRAIN
SISU

ITEM	NUMBER	QTY	DESCRIPTION
-	V837069016	2	VALVE MECHANISM (INCLS ITEMS 1-11)
1	V837069011	6	ARM, ROCKER (INCLS ITEMS 2-3)
2	V512861000	6	HEX NUT
3	V837069023	6	SCREW, ADJUSTING
4	V837069020	4	PLUG
5	V837069013	6	ARM, ROCKER (INCLS ITEMS 6-7)
6	V512861000	6	HEX NUT
7	V837069023	6	SCREW, ADJUSTING
8	V837069017	4	BRACKET
9	V837069019	4	SPRING
10	V837069015	2	SHAFT, ROCKER
11	V837069018	2	BRACKET
12	V836655406	4	NUT
13	V529801910	2	SCREW, M10X85
14	V837069014	12	PUSHROD
15	V836014264	12	TAPPET, VALVE
16	V837070148	1	CAMSHAFT
	V836866036	AR	BRG BUSHING,CAMSHFT, FRONT, OUTER(+0.4MM)
17	V603305760	1	KEY
18	V837070036	1	GEAR
19	V837069006	12	GUIDE
20	V837064910	48	KEEPER, VALVE
21	V837069004	24	RETAINER
22	V837069005	24	SPRING, VALVE
23	V837069002	12	VALVE, EXHAUST
24	V837069003	12	VALVE, INTAKE
25	V837069085	1	HEX NUT

SIS0050
PR: t05I09o11c0006

CYLINDER HEAD
SISU



9790 COMBINE
ENGINE

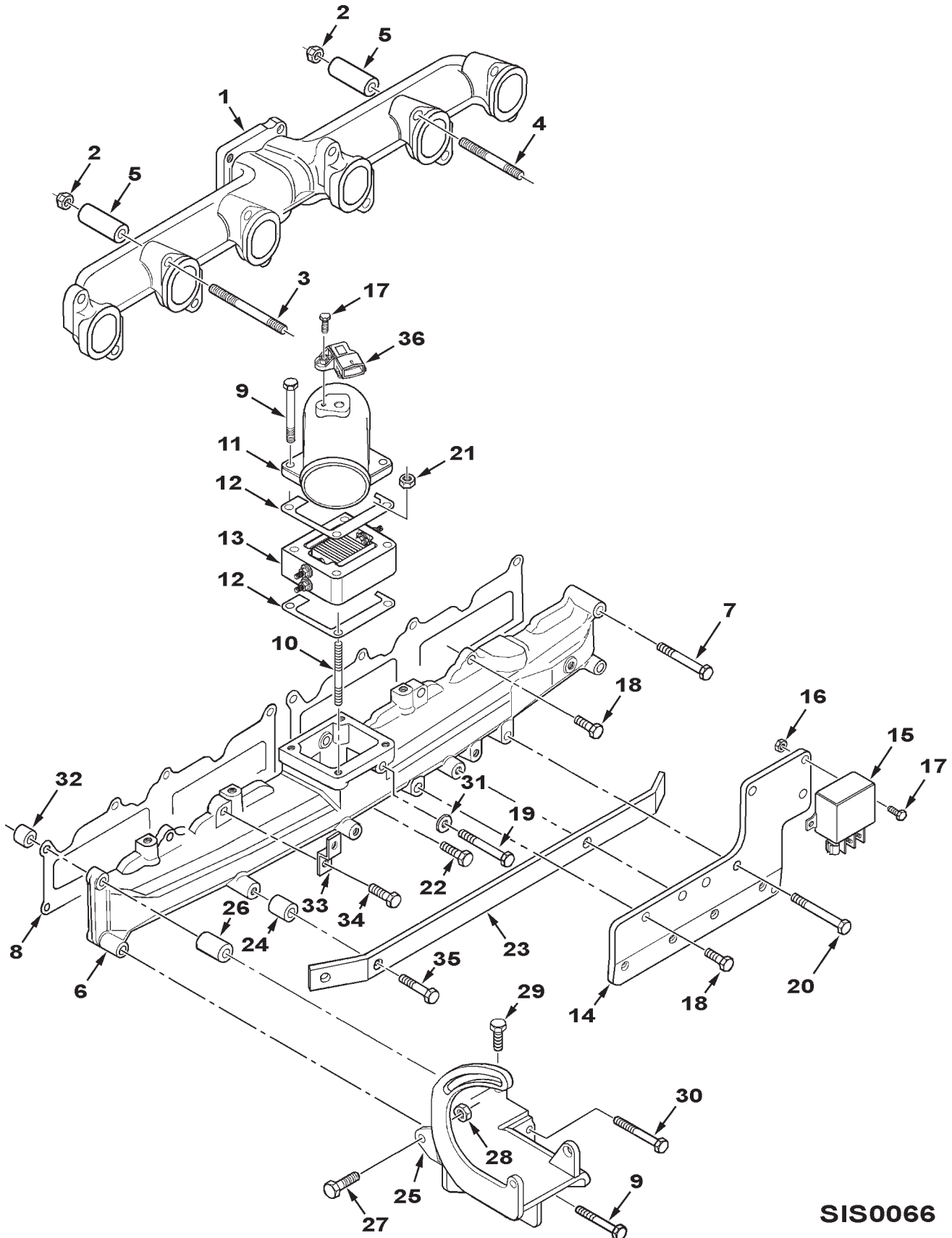
67

CYLINDER HEAD
SISU

ITEM	NUMBER	QTY	DESCRIPTION
1	V837069001	2	HEAD, CYLINDER (INCLS ITEMS 2-5)
2	V837064906	24	GUIDE, VALVE
3	V837064907	12	SEAT RING, VALVE (EXHAUST)
	V837070187	AR	SEAT RING, REPAIR VALVE (OVERSIZE 0.2MM)
4	V837064908	12	SEAT RING, VALVE (INTAKE)
	V837070188	AR	SEAT RING, REPAIR VALVE (OVERSIZE 0.2MM)
5	V836647942	4	PLUG
6	V837069025	28	SCREW
7	V528801830	4	SCREW, M10 X 40
8	V836855348	1	CONNECTOR
9	V836867390	1	GASKET
10	V640016045	1	PLUG
11	V546801900	4	STUDBOLT, M10 X 75
12	V836855350	2	COVER
13	V837070290	2	GASKET
14	V836867391	2	GASKET
15	V836119643	1	NIPPLE, THREADED
16	V615881822	2	RING, SEAL
17	V640325018	1	PLUG
18	V836640752	2	LIFTEYE
19	V837070170	1	COVER
20	V837067881	4	GASKET
21	V836859110	8	HEX NUT
22	V836859109	6	STUDBOLT
23	V540801780	4	SCREW, M10 X 20
24	V614901030	8	O-RING
25	V837069029	1	COVER
26	V837070347	1	PIPE, RUBBER
27	V540801910	4	SCREW, M10 X 80
28	V615881418	1	RING, SEAL
29	V835329746	1	STRAP, TIE
30	V837070343	1	SPRING
31	V837069021	2	FRAME
32	V581804602	1	SCREW, M8 X 20
33	V836338733	1	CAP
34	V614604740	1	O-RING
35	V836867567	2	NUT, EXTENDED, M12/M16
36	V837069026	1	BRACKET
37	V500951200	4	WASHER
38	V581804630	6	SCREW, M8 X 30
39	V500950800	6	WASHER
40	V528801800	4	SCREW, M10 X 25
41	V528801360	5	SCREW, M8 X 16
42	V836747849	2	SUPPORT
43	VJD0408	4	WASHER
44	-----	-	(SEE "CAMSHAFT & VALVETRAIN")
45	-----	-	(SEE "ENGINE ELECTRICAL")
46	V837062565	2	HEAD ASSY, CYLINDER

SIS0067
PR: t05109o11c0007

INTAKE & EXHAUST MANIFOLD
SISU



9790 COMBINE
ENGINE

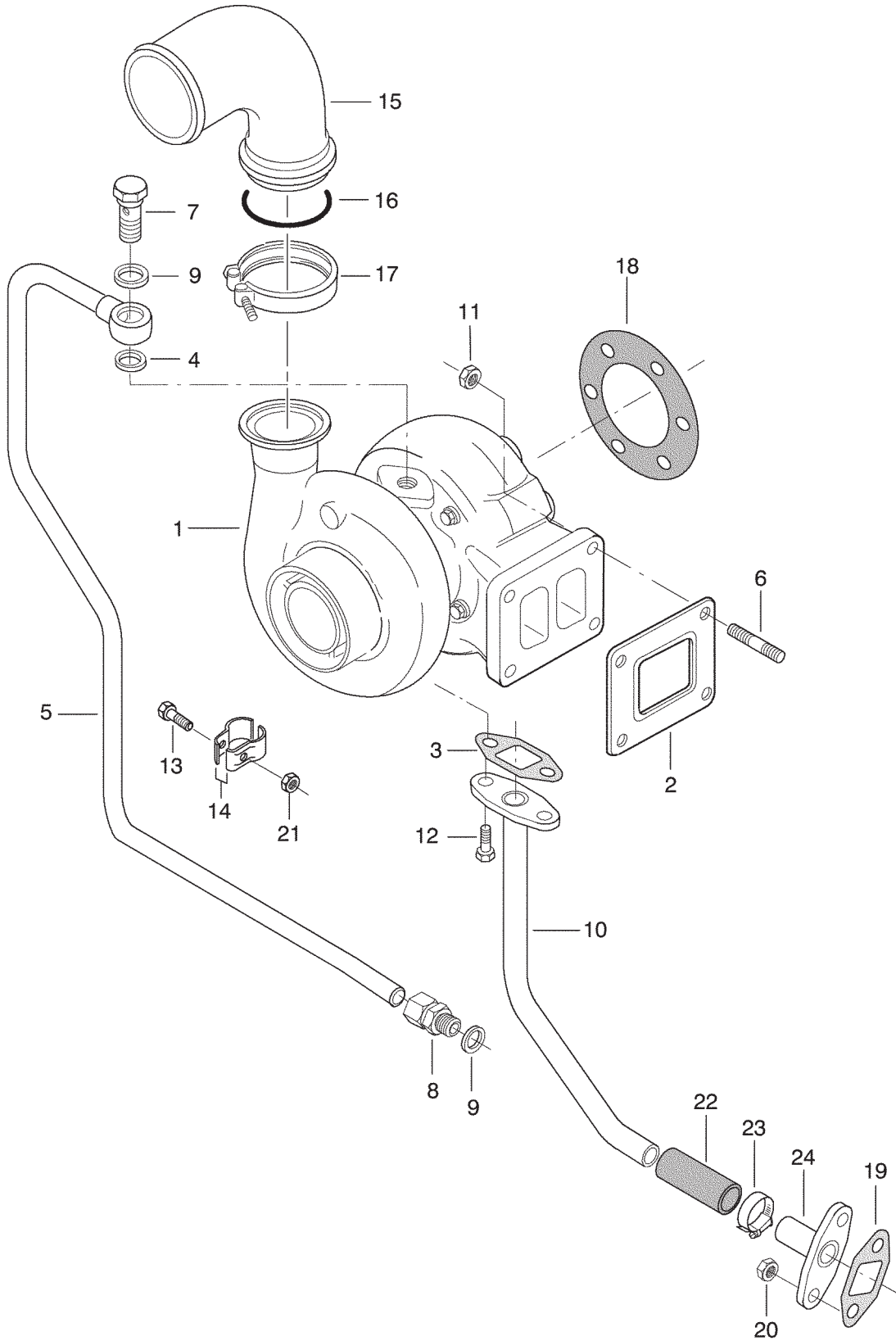
69

INTAKE & EXHAUST MANIFOLD
SISU

ITEM	NUMBER	QTY	DESCRIPTION
1	V836867556	1	EXHAUST MANIFOLD
2	V513601002	12	HEX NUT
3	V836859188	12	STUDBOLT, M10 X 100
4	V836859034	4	STUDBOLT, M10 X 130
5	V836664013	12	SLEEVE, 45MM LG
6	V837070219	1	INTAKE MANIFOLD
7	V529801470	2	CAPSCREW, M8 X 60
8	V837069009	2	GASKET (SEE ENGINE OVERHAUL KITS)
9	V529801490	4	CAPSCREW, M8 X 70
10	V546801490	1	STUDBOLT, M8 X 70
11	V836867642	1	PIPE
12	V837067345	2	GASKET (SEE ENGINE OVERHAUL KITS)
13	V837067295	1	HEATER, 12V
14	V837070228	1	BRACKET
15	V837069047	1	SOLENOID, 12V
16	V510600602	2	NUT, M6
17	V528801082	3	CAPSCREW, M6 X 20
18	V528801400	4	CAPSCREW, M8 X25
19	V529801550	1	CAPSCREW, M8 X 100
20	V529801530	2	CAPSCREW, M8 X 90
21	V504800800	1	HEX NUT, M8
22	V528801410	8	CAPSCREW, M8 X 30
23	V837070328	1	SUPPORT
24	V836119384	2	SLEEVE
25	V837070284	1	BRACKET
26	V836138015	1	SLEEVE
27	V529801830	1	CAPSCREW, M10 X 40
28	V510601002	1	HEX NUT, M10
29	V528801380	1	SCREW, M8 X 20
30	V529801500	1	CAPSCREW, M8 X 75
31	V836015967	1	SEAL RING
32	V598355365	1	PIN
33	V836747849	1	SUPPORT
34	V528801420	1	CAPSCREW, M8 X 35
35	V529801440	2	CAPSCREW, M8 X 45
36	-----	-	(SEE "ENGINE ELECTRICAL")

SIS0066
PR: t05I09o11c0008

TURBOCHARGER
SISU



9790 COMBINE
ENGINE

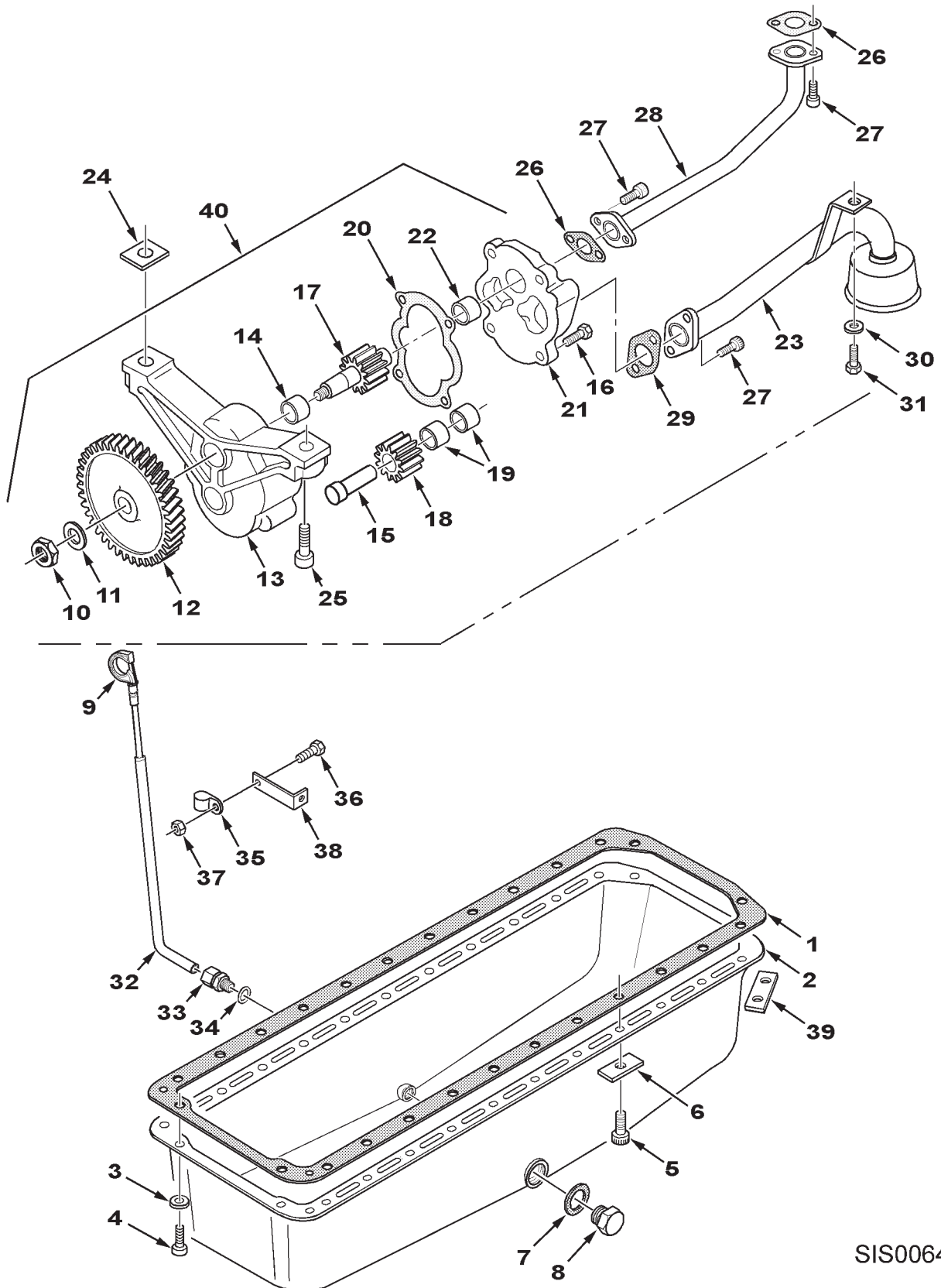
71

TURBOCHARGER
SISU

ITEM	NUMBER	QTY	DESCRIPTION
1	V837070171	1	TURBOCHARGER ASY (INCL. ITEMS 2-3) (REPAIR ASY. MAY HAVE TO BE RE- ASSEMBLED TO FIT THIS INSTALLATION)
2	V836840992	1	GASKET (SEE ENGINE OVERHAUL KITS)
3	V836866809	1	GASKET (SEE ENGINE OVERHAUL KITS)
4	V615881420	1	RING, SEAL
5	V836867559	1	PIPE
6	V546801800	4	STUDBOLT, M10 X 25
7	V836855714	1	SCREW
8	V641086012	1	UNION
9	V615881620	2	RING, SEAL
10	V836873003	1	PIPE
11	V521601000	4	HEX NUT
12	V528801380	2	CAPSCREW, M8 X 20
13	V529801112	1	CAPSCREW, M6 X 30
14	V835324324	1	BAND
15	V836867533	1	PIPE
16	V614605930	1	O-RING
17	V836840930	1	CLIP
18	V886325175	1	GASKET (SEE ENGINE OVERHAUL KITS)
19	V836866809	1	GASKET (SEE ENGINE OVERHAUL KITS)
20	V504800800	2	HEX NUT, M8
21	V504600602	1	HEX NUT, M6
22	V836873001	1	HOSE, RUBBER
23	V602087528	2	CLAMP, WORM GEAR
24	V836873004	1	PIPE, LOWER

SIS0065
PR: t05109o11c0009

OIL SUMP & PUMP
SISU



**9790 COMBINE
ENGINE**

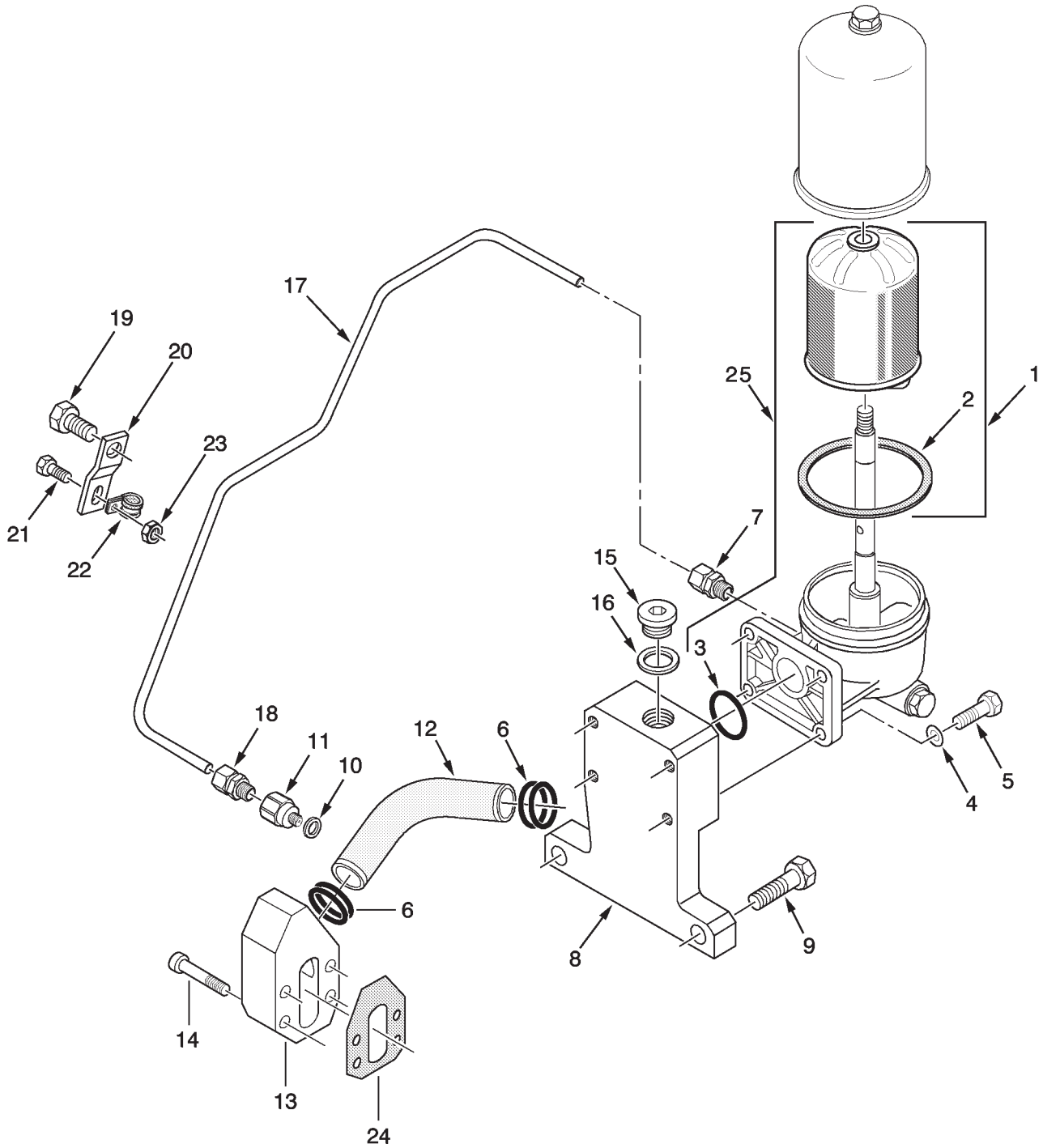
73

**OIL SUMP & PUMP
SISU**

ITEM	NUMBER	QTY	DESCRIPTION
1	V836347308	1	SUMP PAN, OIL
2	V836322538	1	GASKET (SEE ENGINE OVERHAUL KITS)
3	V500950800	4	WASHER
4	V581804600	4	SCREW, M8 X 20
5	V581805000	24	SCREW, M10 X 20
6	V836859560	20	WASHER
7	V615882227	1	RING, SEAL (SEE ENGINE OVERHAUL KITS)
8	V640045022	1	PLUG
9	V836866909	1	DIPSTICK, OIL
10	V504861000	1	NUT, M10
11	V836122910	1	WASHER
12	V836338667	1	GEAR
13	V836338186	1	FRAME ASSY (INCLS. ITEMS 14-15)
14	V836322909	1	BUSHING
15	V836322906	1	SHAFT
16	V528801380	4	SCREW, M8 X 20
17	V836338182	1	GEAR
18	V836338180	1	GEAR (INCLS BUSHING)
19	V836322909	2	BUSHING
20	V836338188	1	GASKET (SEE ENGINE OVERHAUL KITS)
21	V836855297	1	COVER (INCLS BUSHING)
22	V836322909	1	BUSHING
23	V836855674	1	PIPE
24	V836007871	AR	SHIM, SPACING
25	VHC8338	2	SCREW, M10 X 40
26	V836008449	2	GASKET (SEE ENGINE OVERHAUL KITS)
27	V581804600	6	SCREW, M8 X 20
28	V836855673	1	PIPE
29	V836338201	1	GASKET (SEE ENGINE OVERHAUL KITS)
30	V500150840	1	WASHER
31	V528801362	1	SCREW, M8 X 16
32	V836855921	1	PIPE
33	V641086012	1	UNION
34	V615881622	1	RING, SEAL (SEE ENGINE OVERHAUL KITS)
35	V602060612	1	BAND
36	V528801380	1	SCREW, M8 X 20
37	V504800800	1	NUT, M8
38	V836652081	1	SUPPORT
39	V836859561	2	WASHER
40	V836855300	1	OIL PUMP ASY (INCLS ITEMS 10-22)

SIS0064
PR: t05I09o11c0010

CENTRIFUGAL OIL CLEANER
SISU



9790 COMBINE
ENGINE

75

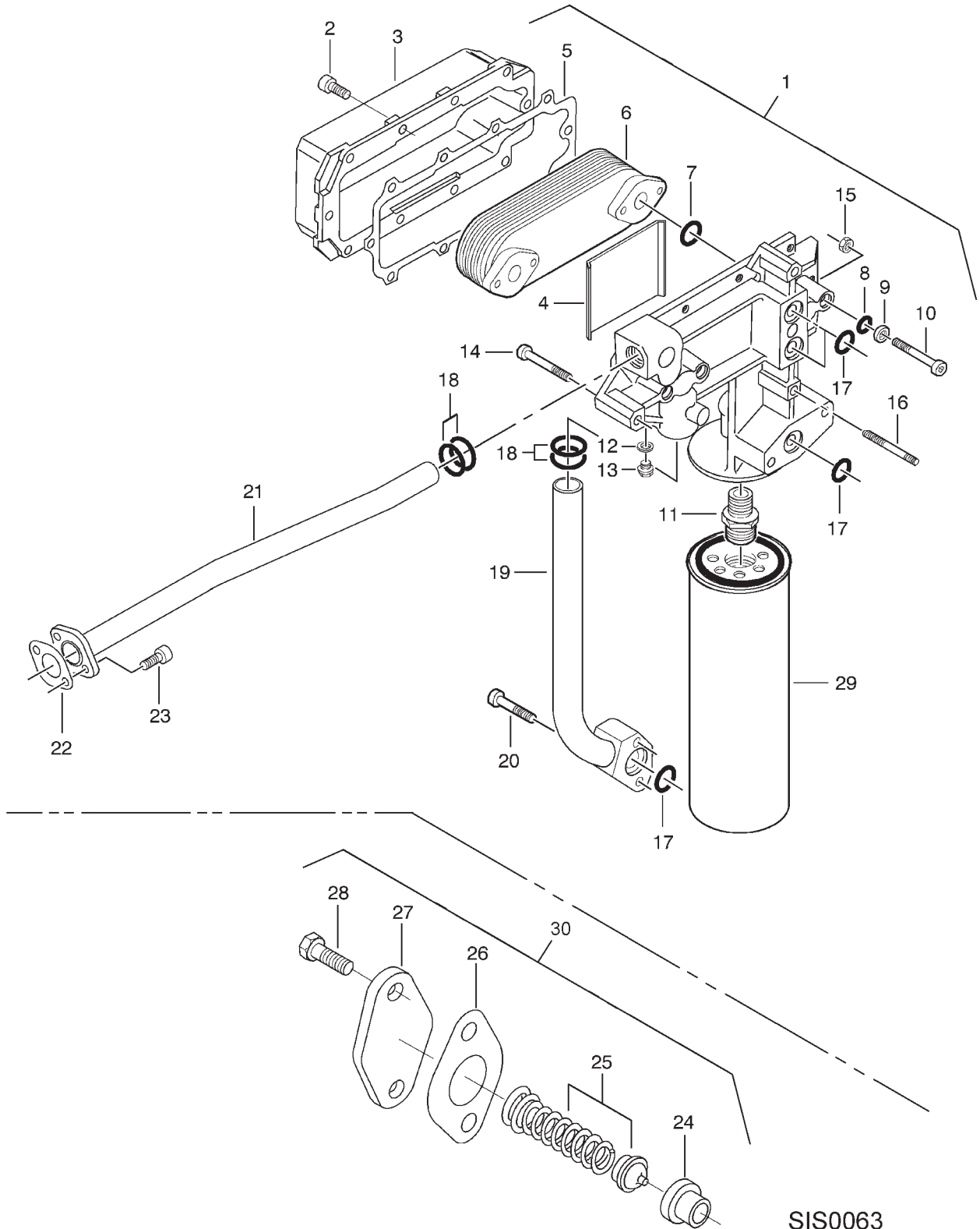
CENTRIFUGAL OIL CLEANER
SISU

ITEM	NUMBER	QTY	DESCRIPTION
1	V836362228	1	ROTOR ASY (INCL. ITEM 2)
2	V836362229	1	SEAL RING
3	V836664226	1	O-RING
4	V500951000	4	WASHER
5	V528801810	4	SCREW, M10 X 30
6	V614903430	4	O-RING
7	V641830008	1	UNION CONNECTOR
8	V837067970	1	ADAPTER MANIFOLD
9	V528803042	2	SCREW, M16 X 45
10	V615871016	1	SEAL RING
11	V836120022	1	NIPPLE, THREADED
12	V837067968	1	PIPE
13	V837067969	1	ADAPTER PLATE
14	V581804670	4	SCREW, M8 X 50
15	V640325039	1	PLUG
16	V615893946	1	SEAL RING
17	V837067967	1	PIPE
18	V641016008	1	UNION CONNECTOR
19	V528802602	1	SCREW, M14 X 25
20	V837070381	1	SUPPORT STRAP
21	V528801380	1	SCREW, M8 X 20
22	V602060610	1	CLAMP, LINE
23	V504800802	1	NUT, M8
24	V836866958	1	GASKET
25	V836359603	1	OIL CLEANER, CENTRIFUGAL(INCL ITEMS 1&3)

SIS0072
PR: t07a23o20b0001

9790 COMBINE
ENGINE

OIL COOLER & FILTER
SISU



SIS0063

9790 COMBINE
ENGINE

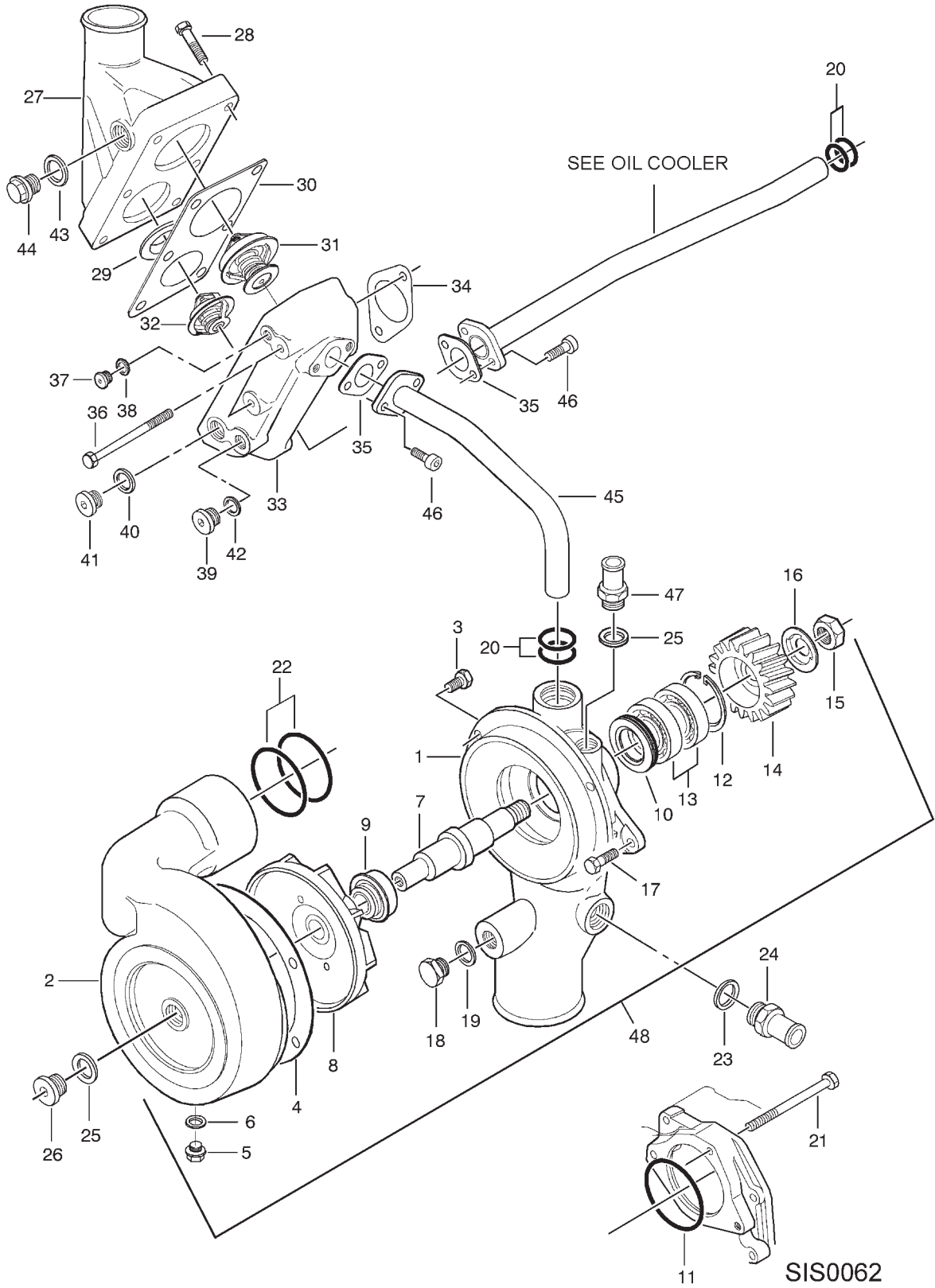
77

OIL COOLER & FILTER
SISU

ITEM	NUMBER	QTY	DESCRIPTION
1	V836855522	1	COOLER, OIL (INCLS ITEMS 2-13)
2	V581804620	10	SCREW, M8 X 25
3	V836855519	1	HOUSING
4	V836855521	1	PLATE, GUIDE
5	V836855520	1	GASKET (SEE ENGINE OVERHAUL KITS)
6	V836855484	1	CELL
7	V614602030	2	O-RING
8	V614600724	4	O-RING
9	V836855517	4	WASHER
10	V581804690	4	SCREW, M8 X 60
11	V836338512	1	NIPPLE, THREADED
12	V615881216	1	SEAL RING
13	V640305012	1	PLUG
14	V581804690	4	SCREW, M8 X 60
15	V504800800	1	NUT, M8
16	V546801490	1	STUDBOLT, M8 X 70
17	V614602030	4	O-RING
18	V614602430	4	O-RING
19	V836855523	1	PIPE
20	V581804650	2	SCREW, M8 X 40
21	V836855639	1	PIPE
22	V836322190	1	GASKET
23	V581804600	2	SCREW, M8 X 20
24	V836659521	1	SEAT, VALVE
25	V836667650	1	VALVE
26	V836322190	1	GASKET
27	V836659524	1	COVER
28	V528801380	2	SCREW, M8 X 20
29	V836362567	1	FILTER, OIL
30	V836662130	1	VALVE, CONTROL (INCL. ITEMS 24-28)

SIS0063
PR: t05I09o11c0011

WATER PUMP SYSTEM
SISU



**9790 COMBINE
ENGINE**

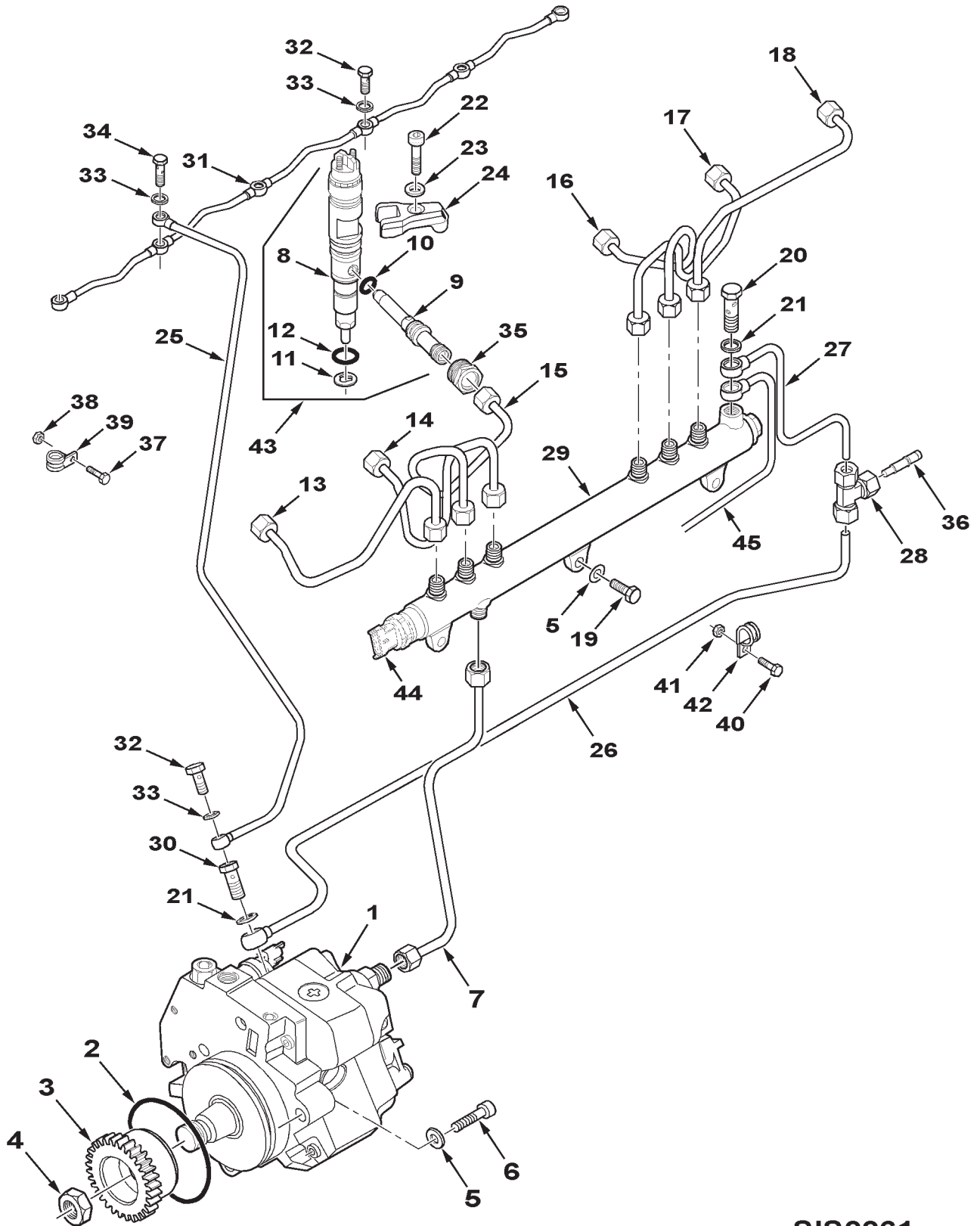
79

**WATER PUMP SYSTEM
SISU**

ITEM	NUMBER	QTY	DESCRIPTION
-	V837062617	1	KIT, WATER PUMP REPAIR (INCLS. ITEMS 4, 6-13,15,19,20,22)
1	V837069076	1	FRAME
2	V837069077	1	HOUSING
3	V528801362	4	SCREW, M8 X 16
4	V836855625	1	GASKET
5	V640305012	1	PLUG
6	V615881216	1	RING, SEAL
7	V837069078	1	SHAFT
8	V836866735	1	IMPELLER
9	V836859452	1	GASKET
10	V614703042	1	SEAL, OIL
11	V614607930	1	O-RING
12	V617330047	1	CIRCLIP
13	V610072040	2	BEARING
14	V837070074	1	GEAR
15	V504601600	1	NUT
16	V837070184	1	RING
17	V528801380	1	SCREW, M8 X 20
18	V836119079	1	PLUG
19	V615881620	1	RING, SEAL
20	V614602430	4	O-RING
21	V529801520	2	SCREW, M8 X 85
22	V614604958	2	O-RING
23	V615882227	1	RING, SEAL (SEE ENGINE OVERHAUL KITS)
24	V836667029	1	UNION
25	V615881822	2	RING, SEAL (SEE ENGINE OVERHAUL KITS)
26	V640325018	1	PLUG
27	V836855602	1	MANIFOLD, RETURN
28	V529801430	6	SCREW, M8 X 40
29	V836336425	1	RING, SPACING
30	V836855603	1	GASKET (SEE ENGINE OVERHAUL KITS)
31	V836331590	1	THERMOSTAT, 83 C (181 DEG F)
32	V836015156	1	THERMOSTAT, 79 C (174 DEG F)
33	V836855601	1	HOUSING
34	V836646393	1	GASKET (SEE ENGINE OVERHAUL KITS)
35	V836322190	2	GASKET (SEE ENGINE OVERHAUL KITS)
36	V529801550	2	SCREW, M8 X 100
37	V640325110	1	PLUG
38	V615871014	1	RING, SEAL (SEE ENGINE OVERHAUL KITS)
39	V640325014	1	PLUG
40	V615881822	1	RING, SEAL (SEE ENGINE OVERHAUL KITS)
41	V640325018	1	PLUG
42	V615881418	1	RING, SEAL (SEE ENGINE OVERHAUL KITS)
43	V615882227	1	RING, SEAL (SEE ENGINE OVERHAUL KITS)
44	V640045022	1	PLUG
45	V837070020	1	PIPE
46	V581804600	4	SCREW, M8 X 20
47	V836119837	1	UNION
48	V837070075	1	WATER PUMP ASSY (INCLS ITEMS 1-16)

SIS0062
PR: t05109o11c0012

INJECTOR PUMP SYSTEM
SISU



9790 COMBINE
ENGINE

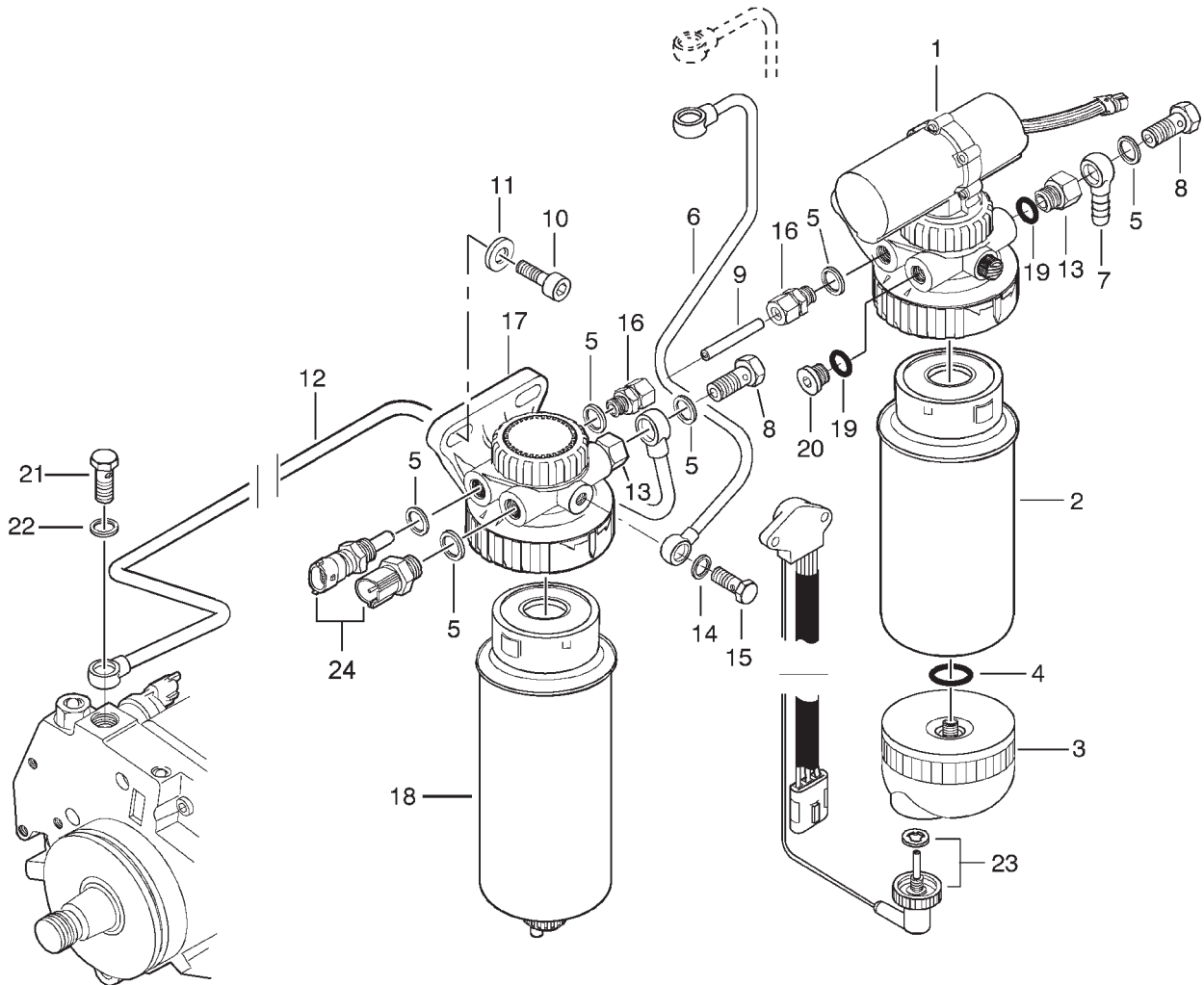
81

INJECTOR PUMP SYSTEM
SISU

ITEM	NUMBER	QTY	DESCRIPTION
1	V837069146	1	PUMP, INJECTOR
2	V837069147	1	O-RING
3	V837070073	1	GEAR
4	V504611802	1	NUT, M18
5	V500950800	6	WASHER
6	V581804650	3	SCREW, M8 X 40
7	V837070249	1	TUBE ASY
8	-----	1	INJECTOR UNIT (SERVICE WITH ITEM 43)
9	-----	1	PIPE (SERVICE WITH ITEM 43)
10	V837069314	1	O-RING
11	V837069032	1	RING, SEAL
12	V837069313	1	O-RING
13	V837070077	1	TUBE, FUEL #1 CYL.
14	V837070078	1	TUBE, FUEL #2 CYL.
15	V837070079	1	TUBE, FUEL #3 CYL.
16	V837070080	1	TUBE, FUEL #4 CYL.
17	V837070081	1	TUBE, FUEL #5 CYL.
18	V837070082	1	TUBE, FUEL #6 CYL.
19	V528801380	3	SCREW, M8 X 20
20	V640425008	1	SCREW
21	V615881216	5	RING, SEAL
22	V581704660	6	SCREW, M8 X 45
23	V837070121	6	WASHER
24	V837069007	6	FASTENER
25	V837070277	1	TUBE
26	V837070258	1	TUBE
27	V837070255	1	TUBE
28	V641436008	1	TEE, UNION
29	V837069050	1	MANIFOLD ASY
30	V837070314	1	SCREW
31	V837069027	1	TUBE ASY
32	V640435005	6	SCREW
33	V615870812	14	RING, SEAL
34	V640425005	1	SCREW
35	V837069268	6	NUT
36	V837067801	1	TUBE
37	VHA9220	1	SCREW, M5 X 20
38	V504600502	1	NUT, M5
39	V602070605	1	CLAMP, LINE
40	V528801082	1	SCREW, M6 X 20
41	V510600602	3	NUT, M6
42	V602074608	5	CLAMP, LINE
43	V837062629	6	INJECTOR ASY (INCLS ITEMS 8-12)
44	-----	-	SEE "ENGINE ELECTRICAL"
45	-----	-	SEE "FUEL FILTERS"

SIS0061
PR: t05I09o11c0013

FUEL FILTERS
SISU



**9790 COMBINE
ENGINE**

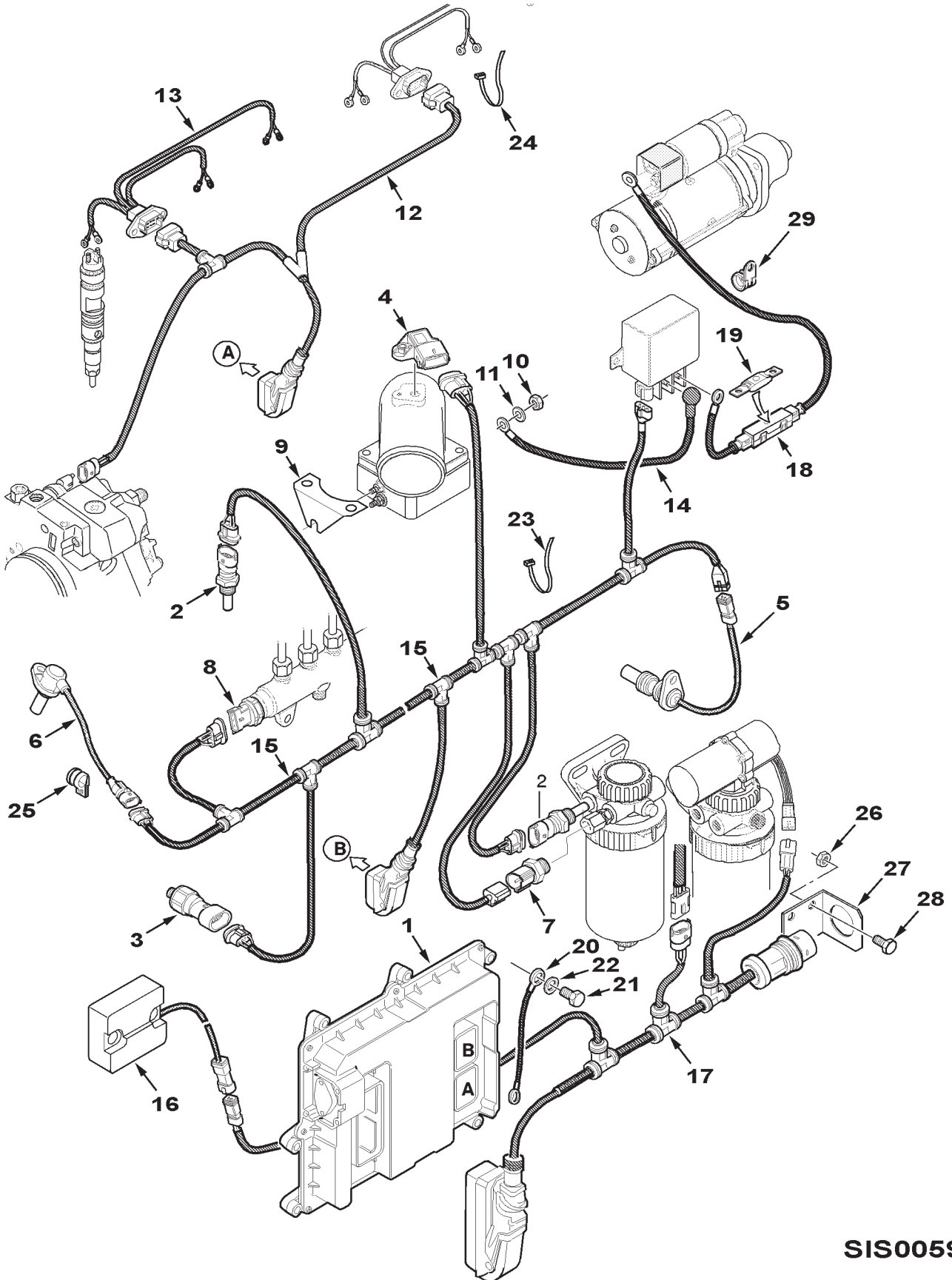
83

**FUEL FILTERS
SISU**

ITEM	NUMBER	QTY	DESCRIPTION
1	V836867602	1	PRE-FILTER ASY (INCLS ITEMS 2-4)
2	V836867591	1	ELEMENT, PRE-FILTER
3	V836862051	1	SEPARATOR, WATER (INCLS O-RING)
4	V836862496	1	O-RING
5	V615881420	10	RING, SEAL (SEE ENGINE OVERHAUL KITS)
6	V837070253	1	TUBE
7	V640255210	1	FITTING
8	V640435010	2	SCREW
9	V837070223	1	PIPE
10	V581705030	4	SCREW, M10 X 30
11	V836122910	4	WASHER
12	V837070252	1	TUBE
13	V836336934	2	UNION FTG
14	V615571014	2	RING, SEAL (SEE ENGINE OVERHAUL KITS)
15	V640435006	1	SCREW
16	V641086010	2	UNION
17	V836867593	1	FILTER, FUEL (INCLS ITEM 18)
18	V836867595	1	ELEMENT, FILTER
19	V614601125	2	O-RING
20	V640325014	2	PLUG
21	V640435008	1	SCREW
22	V615881216	2	RING, SEAL (SEE ENGINE OVERHAUL KITS)
23	V836866576	1	SENSOR, WATER
24	-----	-	SEE "ENGINE ELECTRICAL"

SIS0060
PR: t05I09o11c0014

ENGINE ELECTRICAL
SISU



9790 COMBINE
ENGINE

85

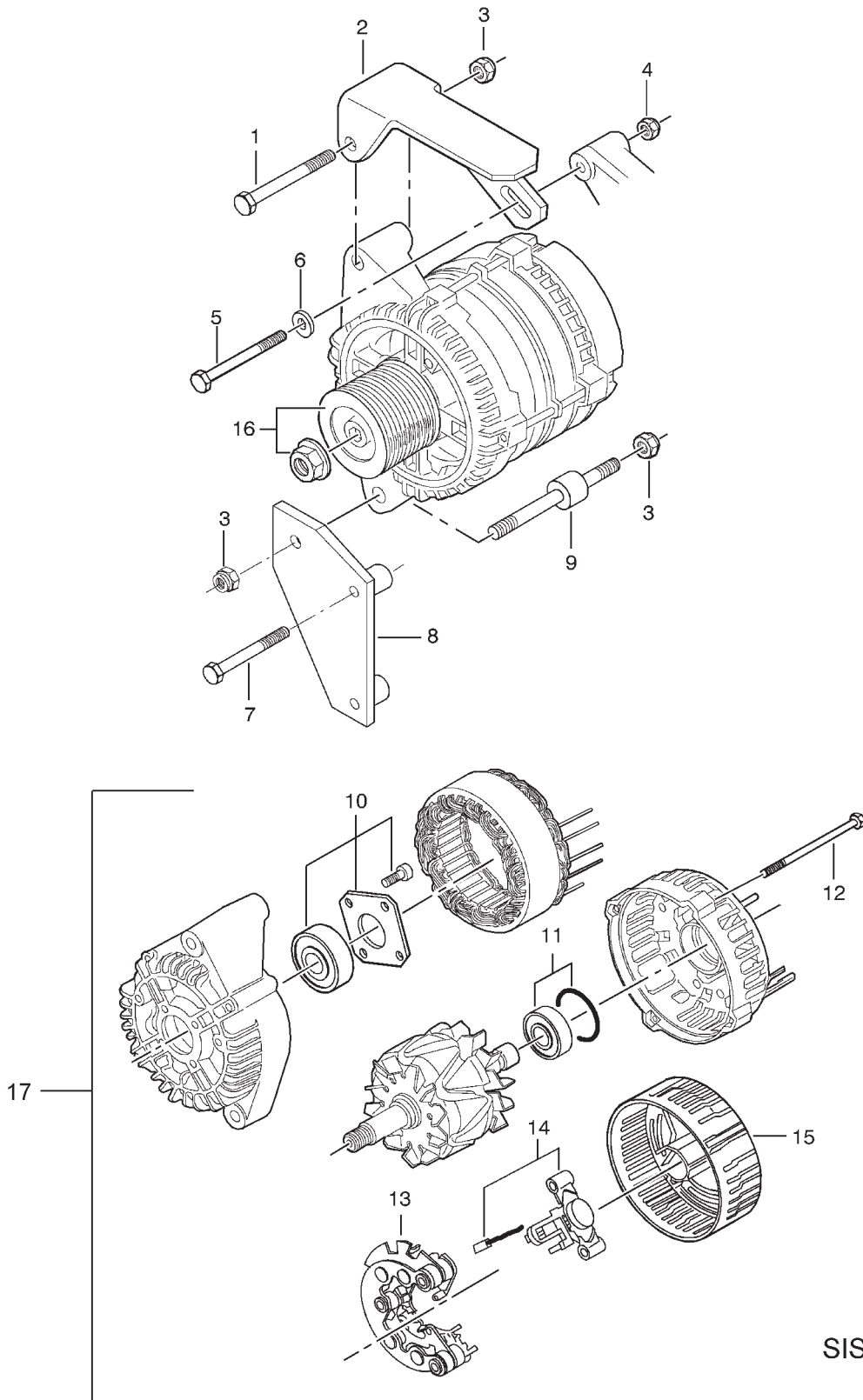
ENGINE ELECTRICAL
SISU

ITEM	NUMBER	QTY	DESCRIPTION
1	V837069216	1	UNIT, CONTROL (9790)
2	V836667732	2	SENSOR, TEMPERATURE
3	V837070201	1	SENSOR, OIL PRESSURE
4	V836666980	1	SENSOR, BOOST PRESSURE
5	V837069150	1	SENSOR, SPEED
6	V837070189	1	SENSOR, SPEED
7	V837070209	1	SWITCH, PRESSURE
8	V837069410	1	SENSOR
9	V837070130	1	STRAP, GROUND
10	V504600602	2	HEX NUT, M6
11	V500050642	2	WASHER
12	V837070049	1	HARNESS, INJECTOR
13	V837070048	2	HARNESS, INJECTOR
14	V837070055	1	HARNESS
15	V837070050	1	HARNESS, SENSOR
16	V837070198	1	MODULE, ID
17	V837070051	1	HARNESS
18	V837070054	1	HARNESS (INCLS FUSE)
19	V836864541	1	FUSE, 250A
20	V837070292	1	STRAP, GROUND
21	V528801360	1	CAPSCREW, M8 X 16
22	VJD0408	1	WASHER
23	V651754720	5	TIE, NYLON LOCKING
24	V651755320	5	TIE, NYLON LOCKING
25	V602060610	2	CLAMP, LINE
26	V504800800	1	NUT, M8
27	V836866831	1	BRACKET, FASTENER
28	V528801360	1	CAPSCREW, M8 X 16
29	V602060612	2	CLAMP, LINE

SIS0059
PR: t05I09o11c0015

9790 COMBINE
ENGINE

ALTERNATOR & MOUNTING
SISU



SIS0058

9790 COMBINE
ENGINE

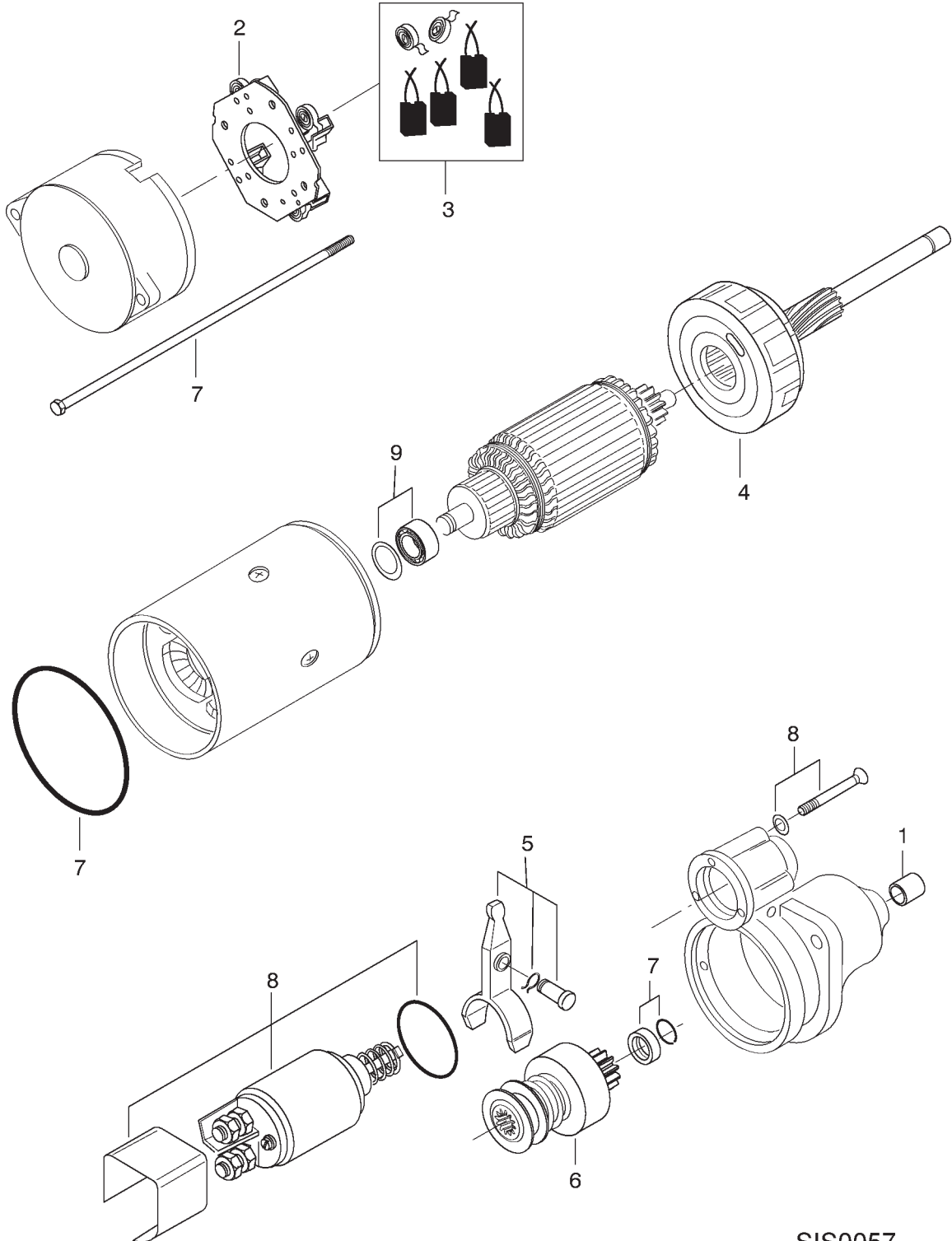
87

ALTERNATOR & MOUNTING
SISU

ITEM	NUMBER	QTY	DESCRIPTION
1	V529801910	1	CAPSCREW, M10 X 80
2	V836855928	1	SUPPORT
3	V510601002	3	HEX NUT, M10
4	V510600802	1	HEX NUT, M8
5	V529801510	1	CAPSCREW, M8 X 80
6	V836120989	1	WASHER
7	V529801490	2	CAPSCREW, M8 X 70
8	V836855956	1	SUPPORT
9	V836866341	1	SCREW, SPECIAL
10	V836662619	1	BEARING
11	V836662622	1	BEARING
12	V836662620	1	SCREW
13	V836662623	1	RECTIFIER
14	V836662625	1	REGULATOR
15	V836662624	1	COVER
16	V836662621	1	PULLEY & NUT
17	V836667315	1	ALTERNATOR ASY (INCLS ITEMS 10-16)

SIS0058
PR: t05I09o11c0016

STARTER MOTOR
SISU



9790 COMBINE
ENGINE

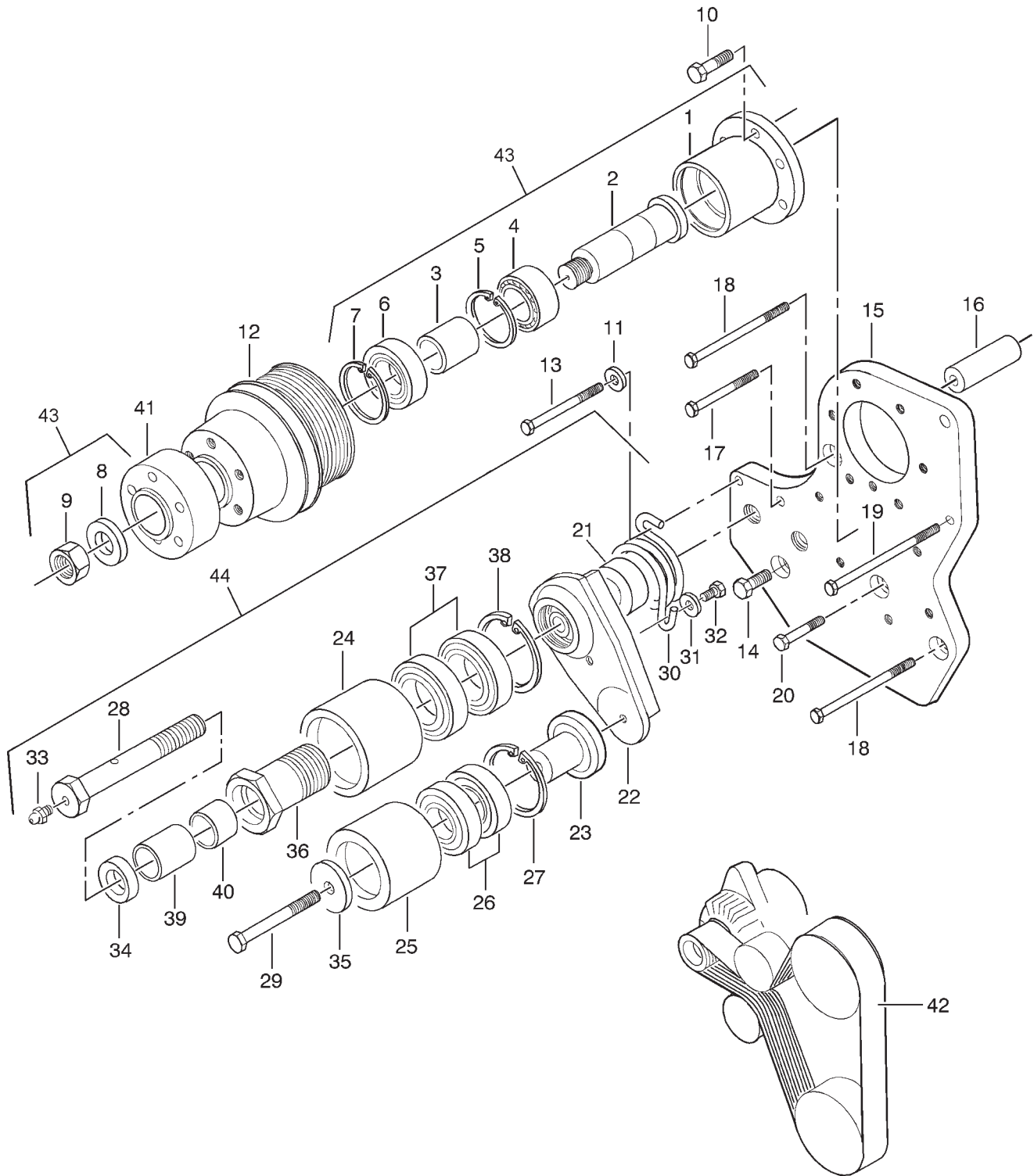
89

STARTER MOTOR
SISU

ITEM	NUMBER	QTY	DESCRIPTION
-	V836866817	1	STARTER ASY
1	V836862454	1	BUSHING
2	V836862461	1	HOLDER, BRUSH (INCLUDES ITEM 3)
3	V836862462	1	BRUSH SET
4	V836862458	1	SHAFT
5	V836862457	1	SHIFT LEVER SET
6	V836862456	1	DRIVE GEAR
7	V836862460	1	KIT, MISC. PARTS
8	V836862455	1	SOLENOID
9	V836862459	1	BEARING

SIS0057
PR: t05I09o11c0017

DRIVE BELT SYSTEM
SISU



9790 COMBINE
ENGINE

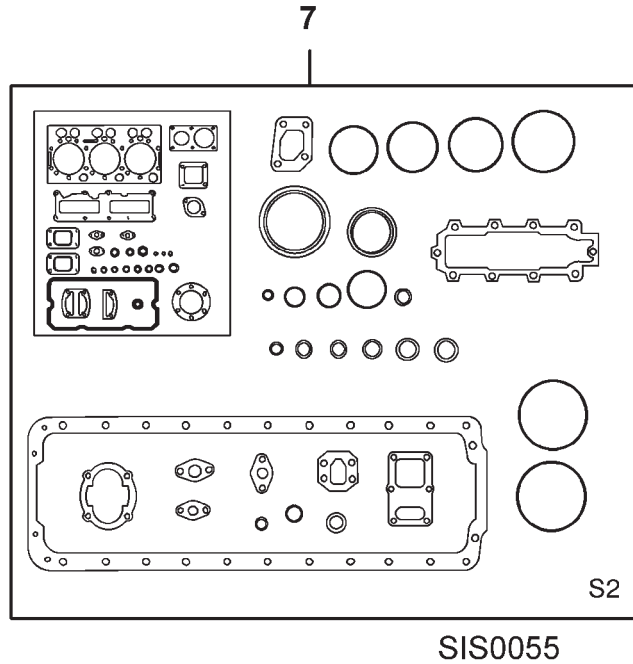
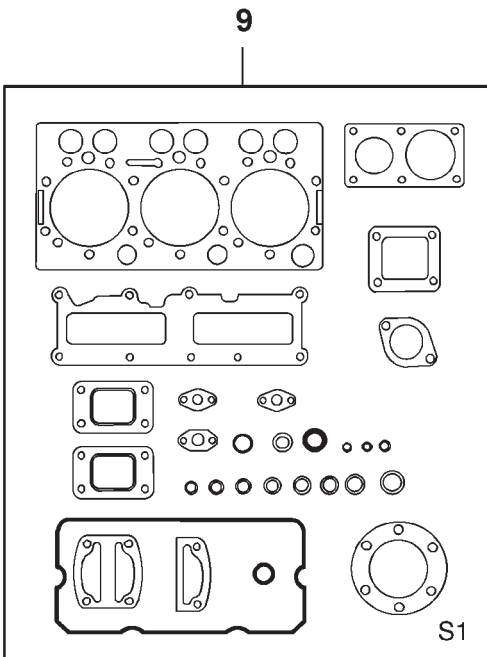
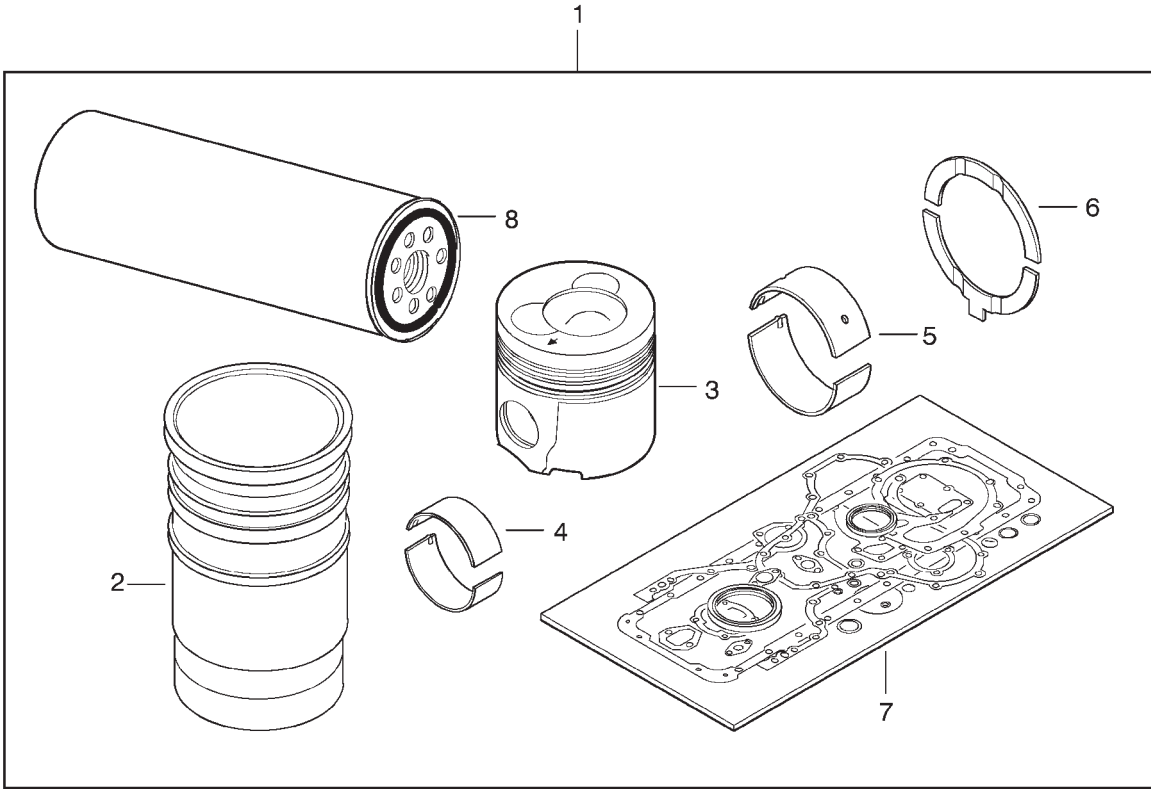
91

DRIVE BELT SYSTEM
SISU

ITEM	NUMBER	QTY	DESCRIPTION
1	V836855758	1	FRAME
2	V836855755	1	SHAFT
3	V836855757	1	SLEEVE
4	V610032065	1	BEARING
5	V617350062	1	CIRCLIP
6	V610063064	1	BEARING
7	V617330072	1	CIRCLIP
8	V836855756	1	WASHER
9	V504602002	1	HEX NUT, M20
10	V528801810	6	SCREW, M10 X 30
11	V836120989	1	WASHER
12	V836859288	1	PULLEY
13	V529801490	1	SCREW, M8 X 70
14	V528801800	1	SCREW, M10 X 25
15	V836855935	1	PLATE
16	V836855934	2	SLEEVE
17	V529801470	1	SCREW, M8 X 60
18	V529801550	2	SCREW, M8 X 100
19	V529801562	1	SCREW, M8 X 110
20	V529801450	1	SCREW, M8 X 50
21	V836859348	1	SHAFT
22	V836859347	1	SUPPORT
23	V836855789	1	SHAFT
24	V836859683	1	ROLLER
25	V836855666	1	ROLLER
26	V610062055	2	BEARING
27	V617330052	1	CIRCLIP
28	V836859357	1	SCREW
29	V529701880	1	SCREW, M10 X 65
30	V836855689	1	SPRING
31	V836120989	1	WASHER
32	V528801360	1	SCREW, M8 X 16
33	V644611006	1	FITTING, LUBE
34	V836859356	1	SPACER
35	V836855941	1	WASHER
36	V836859684	1	SHAFT
37	V610060085	2	BEARING
38	V617330068	1	CIRCLIP
39	V836859364	1	BUSHING
40	V836859363	1	BUSHING
41	V836852010	1	HUB, FAN SPACER
42	V685121585	1	BELT, V-RIBBED
43	V836855762	1	DRIVE ASY (INCLS ITEMS 1-9)
44	V836864296	1	TENSIONER ASY, BELT (INCLS ITEMS 21-40)

SIS0056
PR: t05I09o11c0018

ENGINE OVERHAUL KITS
SISU



**9790 COMBINE
ENGINE**

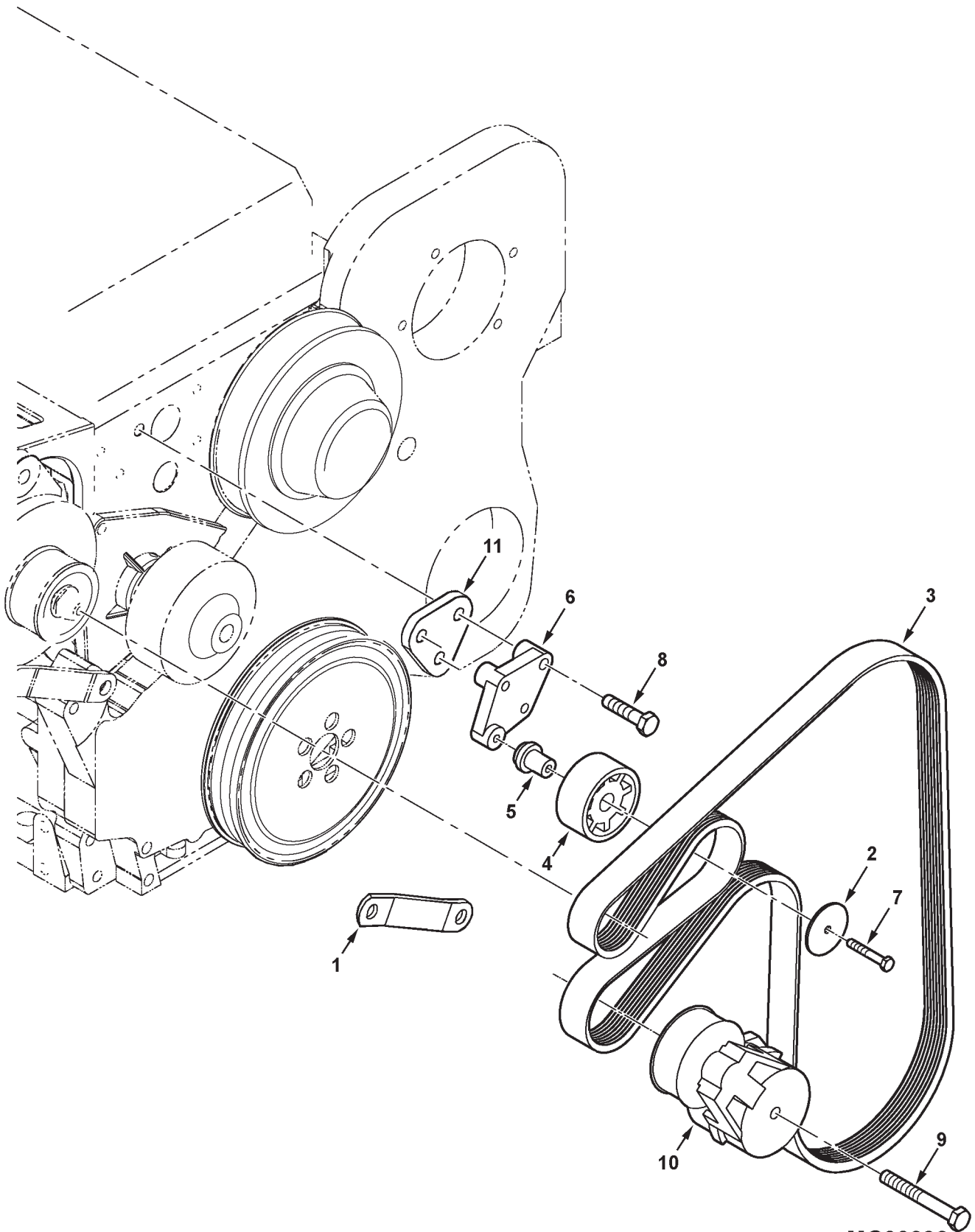
93

**ENGINE OVERHAUL KITS
SISU**

ITEM	NUMBER	QTY	DESCRIPTION
1	V837062626	1	KIT, REPAIR (INCLS ITEMS 2-8)
2	V836867048	6	LINER, CYLINDER
3	V837070185	6	PISTON
4	V836336302	6	BEARING
5	V836840944	7	BEARING, MAIN
6	V836840945	2	PLATE, THRUST
7	V837062628	1	SET, GASKET FOR ENGINE
8	V836362567	1	FILTER, OIL
9	V837062627	1	SET, GASKET FOR CYLINDER HEAD

SIS0055
PR: t05I09o11c0019

COOLING FAN DRIVE KIT, CUMMINS
(PRIOR S/N HR36101)



MC00393

9790 COMBINE
ENGINE

95

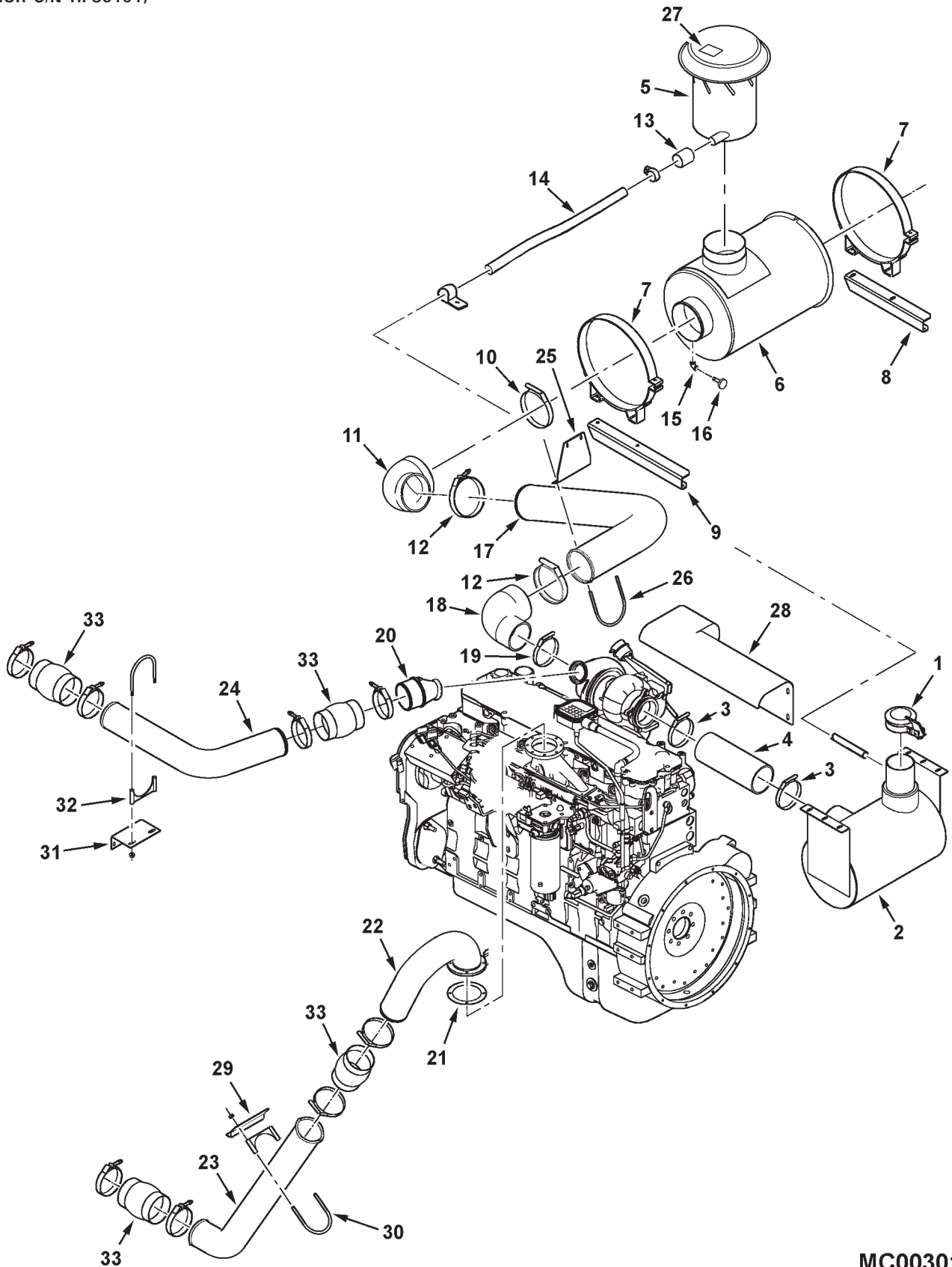
COOLING FAN DRIVE KIT, CUMMINS
(PRIOR S/N HR36101)

ITEM	NUMBER	QTY	DESCRIPTION
-	71410513	AR	KIT, COOLING FAN DRIVE (INCL. FOLLOWING)
1	71410512	1	BRACKET, ALTERNATOR SUPPORT, LOWER
2	71410509	1	WASHER, DUST SHIELD, IDLER
3	71410501V	1	BELT, FAN DRIVE
4	71410507	1	PULLEY, IDLER
5	71410508	1	SHAFT, IDLER PULLEY
6	71410505	1	SUPPORT BRACKET, IDLER PULLEY
7	71410510	1	CAPSCREW, IDLER PULLEY
8	71410506	3	CAPSCREW, M10 X 45, IDLER SUPPORT BRKT
9	71410504	1	CAPSCREW, M10 X 85, TENSIONER MOUNTING
10	71410503	1	TENSIONER, FAN BELT (ORDER FROM CUMMINS)
11	71401364	1	SPACER PLATE, SUPPORT BRKT

MC00393
PR: t05e26j58c0001

9790 COMBINE
ENGINE

AIR INTAKE AND EXHAUST
CUMMINS QSL9 ENGINE
(PRIOR S/N HP36101)



**9790 COMBINE
ENGINE**

97

**AIR INTAKE AND EXHAUST
CUMMINS QSL9 ENGINE
(PRIOR S/N HP36101)**

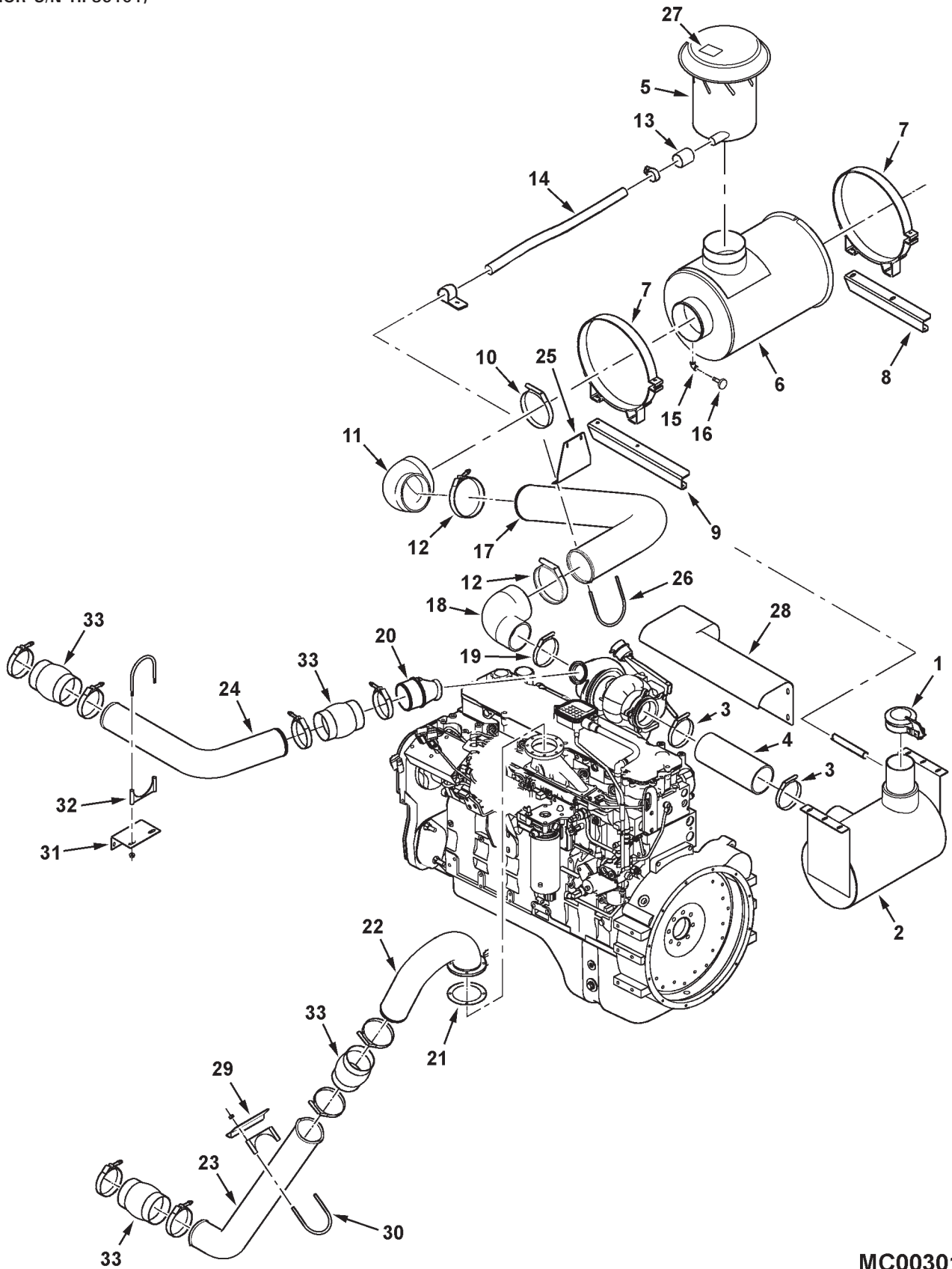
ITEM	NUMBER	QTY	DESCRIPTION
1	70269408V	1	CAP ASSEMBLY, 4" ID, PLATED
2	71386887	1	MUFFLER
	7700461	6	BOLT, RHSN, 5/16-18 X 3/4
	70917356	6	LOCKWASHER, 5/16
	70917372	6	NUT, HEX 5/16-18
	70917642	6	WASHER, WIDE 5/16
3	103830W91	2	CLAMP ASSEMBLY, 4" ID, PLATED
4	71386886	1	PIPE, EXHAUST
5	2577893W91	1	PRE-CLEANER
6	71383233	1	AIR CLEANER ASY
7	AG512664	2	BAND CLAMP, 14" ID
	70921210	4	CAPSCREW, 3/8-16 X 1"
	Y704734	4	NUT, HEX FLNG TOP LOCK, 3/8-16
8	71391041	1	CHANNEL, REAR
	7883333	2	SCREW, HEX WSHR HD, 5/16-18 X 1"
	Y704726	2	NUT, HEX FLANGE TOP LOCK, 5/16-18
9	71391040	1	CHANNEL, FRONT
	7883333	2	SCREW, HEX WSHR HD, 5/16-18 X 1"
	Y704726	2	NUT, HEX FLANGE TOP LOCK, 5/16-18
10	700717761	1	CLAMP, HOSE T-BOLT, 6-1/2
11	71368951	1	ELBOW, 90 DEG, RED. 6 X 5
12	72160993	2	CLAMP, HOSE T-BOLT, 5-1/2
13	71387650	1	BUSHING, HOSE
14	71387625	1	HOSE ASPIRATOR, 1.5 ID
	70921912	2	CLAMP, HOSE, WORM, 1.06 - 2.0 RANGE
15	70915955	1	ELBOW, 90 DEG FEM. 1/8-27 NPTF
16	31-2530050	1	SWITCH, AIR CLEANER VACUUM
17	71389910	1	TUBE, AIR ENGINE INTAKE
18	71351859	1	ELBOW, 90 DEG, RED. 5 X 4
19	72161280	1	CLAMP, HOSE T-BOLT, 4-1/2

CONTINUED

MC00301
PR: 30

9790 COMBINE
ENGINE

AIR INTAKE AND EXHAUST
CUMMINS QSL9 ENGINE
(PRIOR S/N HP36101)



**9790 COMBINE
ENGINE**

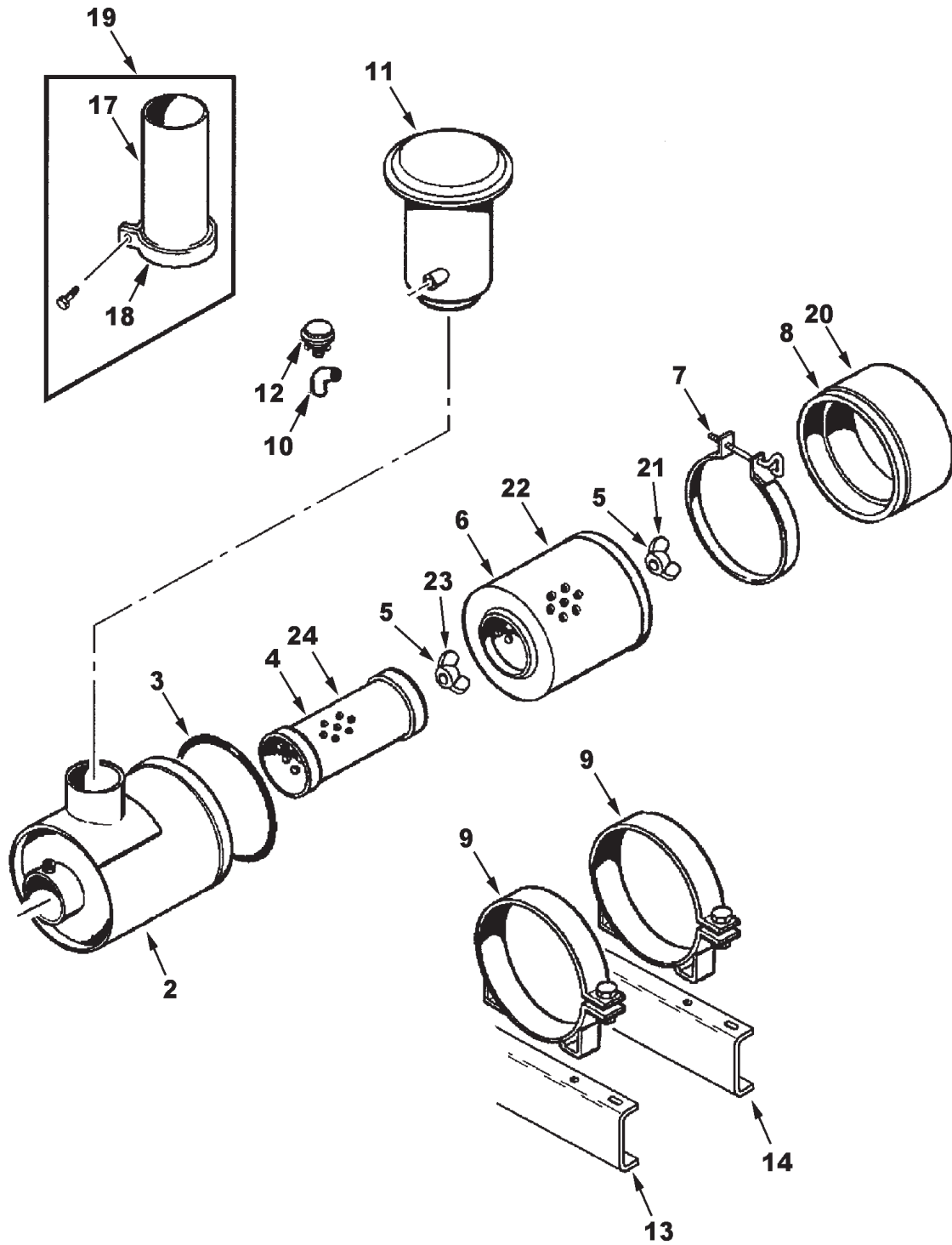
99

**AIR INTAKE AND EXHAUST
CUMMINS QSL9 ENGINE
(PRIOR S/N HP36101)**

ITEM	NUMBER	QTY	DESCRIPTION
20	71386890	1	ELBOW, AIR TRANSFER, TURBO OUT
	70917673	2	PLUG, 1/8 NPT
	3883284	1	O-RING, (CUMMINS)
	3923060	1	V-CLAMP, (CUMMINS)
21	3917892	1	GASKET, AIR INTAKE (CUMMINS)
22	71386895	1	TUBE, AIR, CAC TO ENGINE
	70951067	4	SCREW, SOCKET HEAD, M8-1.25 X 25
	1177981	4	LOCKWASHER, M8
23	71388887	1	TUBE, AIR, CAC TO ENGINE
24	71389410	1	TUBE, AIR, ENGINE TO CAC
25	71388900	1	SUPPORT, INLET TUBE
	7883325	2	SCREW, HEX WSHR HD, 5/16-18 X 3/4
	70917642	2	WASHER, 5/16 WIDE
	70917356	2	LOCKWASHER, 5/16
	70917372	2	NUT, HEX 5/16-18
26	2625940W1	1	U-BOLT, 5" ID
	Y704726	2	NUT, HEX FLANGE TOP LOCK, 5/16-18
27	71387749	2	DECAL - WARNING
28	71388883	1	SHIELD WLDMT
29	71393839	1	BRACKET, AIR COOLER TUBE
30	7024938	1	CLAMP, EXHAUST, 4-1/8 DIA
31	71401355	1	SUPPT BRKT, CAC TUBE (EFF. S/N HN36101)
	70921332	2	CAPSCREW, 5/16-18 X 3/4
	70918265	2	WASHER, 5/16 NARR
	70917356	2	LOCKWASHER, 5/16
32	7024938	1	U-CLAMP ASY, 4 ID (EFF. S/N HN36101)
	Y704734	2	NUT, HEX FLANGE TOP LOCK, 3/8-16
33	3071049	4	HOSE, HUMP (CUMMINS)
	3926704	8	T-CLAMP (CUMMINS)

MC00301
PR: 30

AIR CLEANER
CUMMINS QSL9 ENGINE



**9790 COMBINE
ENGINE**

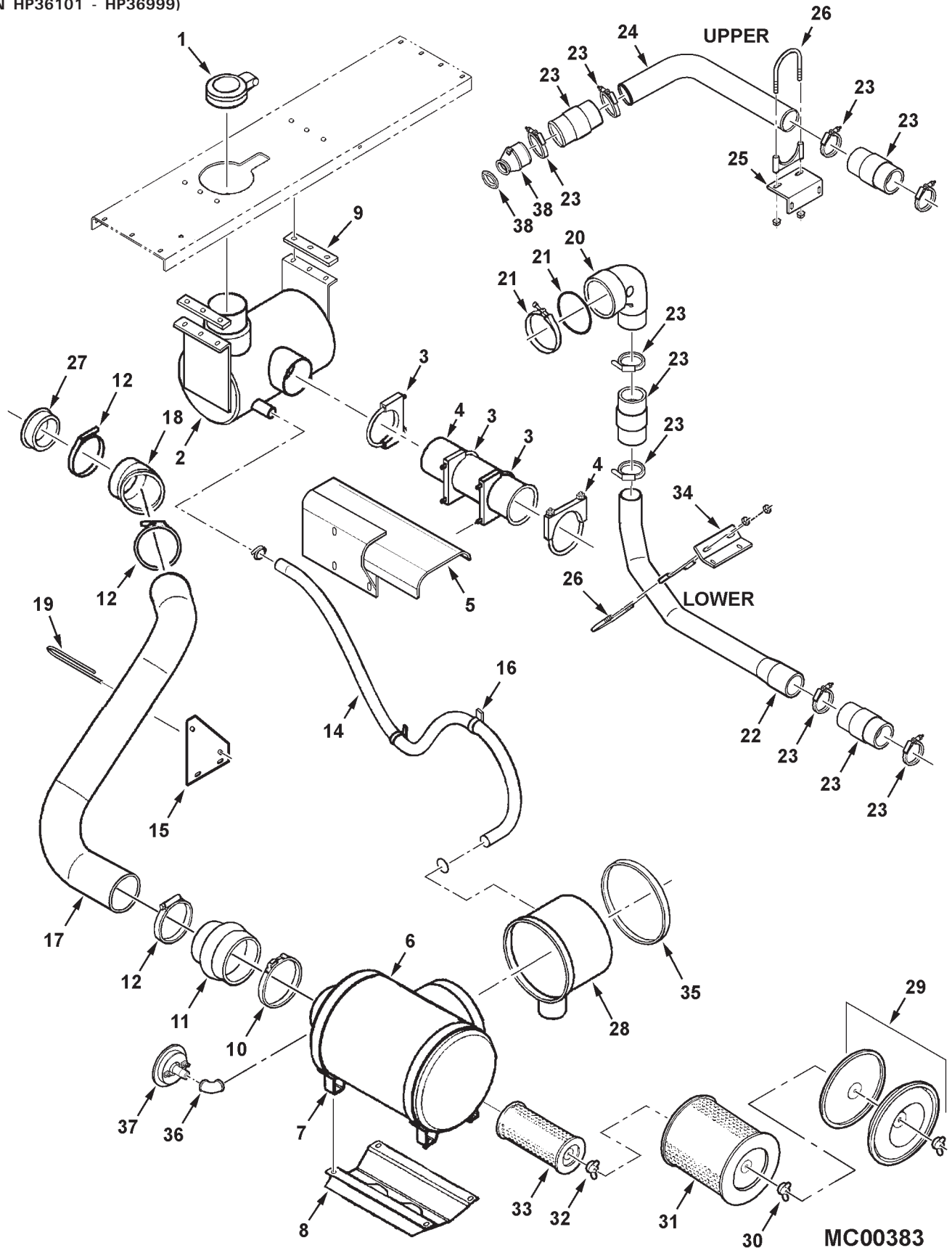
101

**AIR CLEANER
CUMMINS QSL9 ENGINE**

ITEM	NUMBER	QTY	DESCRIPTION
2	2461793W91	1	AIR CLEANER ASY (INCL ITEMS 3-8)(PRIOR S/N HN36101)(SERVICE ORDER 71383233)
	71383233	1	AIR CLEANER ASY (INCL ITEMS 20-24)(EFF. S/N HN36101)
3	1089933M1	1	O-RING
4	1070230M1	1	ELEMENT, SAFETY
5	3638002M1	1	NUT, WING SPECIAL, 7/16 UNF
6	1070229M1	1	ELEMENT, PRIMARY
7	1089941M91	1	CLAMP ASSEMBLY
8	1070231M91	1	CUP ASSEMBLY
9	AG512664	2	MOUNTING BAND, AIR CLNR
	703249	4	CAPSCREW, 3/8-16 X 1" GR5
	Y704734	4	NUT, HEX FLANGE TOP LOCK, 3/8-16
10	70915955	1	ELBOW, 90 DEG.
11	2577893W91	1	PRE-CLEANER ASSEMBLY
12	31-2530050	1	SWITCH, VACUUM
13	71391040	1	CHANNEL, AIR CLEANER - FRONT
14	71391041	1	CHANNEL, AIR CLEANER - REAR
17	105092W1	1	TUBE 11" AIR INLET
18	105091W1	1	STRAP, CLAMP
	70921971	1	BOLT, HEX, 3/8-16 X 1-3/4
	70916965	1	LOCKWASHER, 3/8
	70916950	1	NUT, 3/8-16
19	71378060	AR	AIR INTAKE KIT, 11" EXTEN. (INCL. ITEMS 17 & 18)(ORDER THRU DEALER CENTRAL)
20	71368963	1	COVER ASY, (INCL. NUT, CLIP & GASKET)
	71374564	1	WING NUT
	71374565	1	CLIP
	71369877	1	GASKET, COVER
21	70269246	1	NUT ASY.
22	71368961	1	ELEMENT, PRIMARY FILTER
23	70257297	1	NUT ASY, SAFETY
24	71368962	1	ELEMENT, FILTER, SAFETY

MC00295
PR: 32

AIR INTAKE & EXHAUST
CUMMINS QSL9 ENGINE
(S/N HP36101 - HP36999)



MC00383

**9790 COMBINE
ENGINE**

103

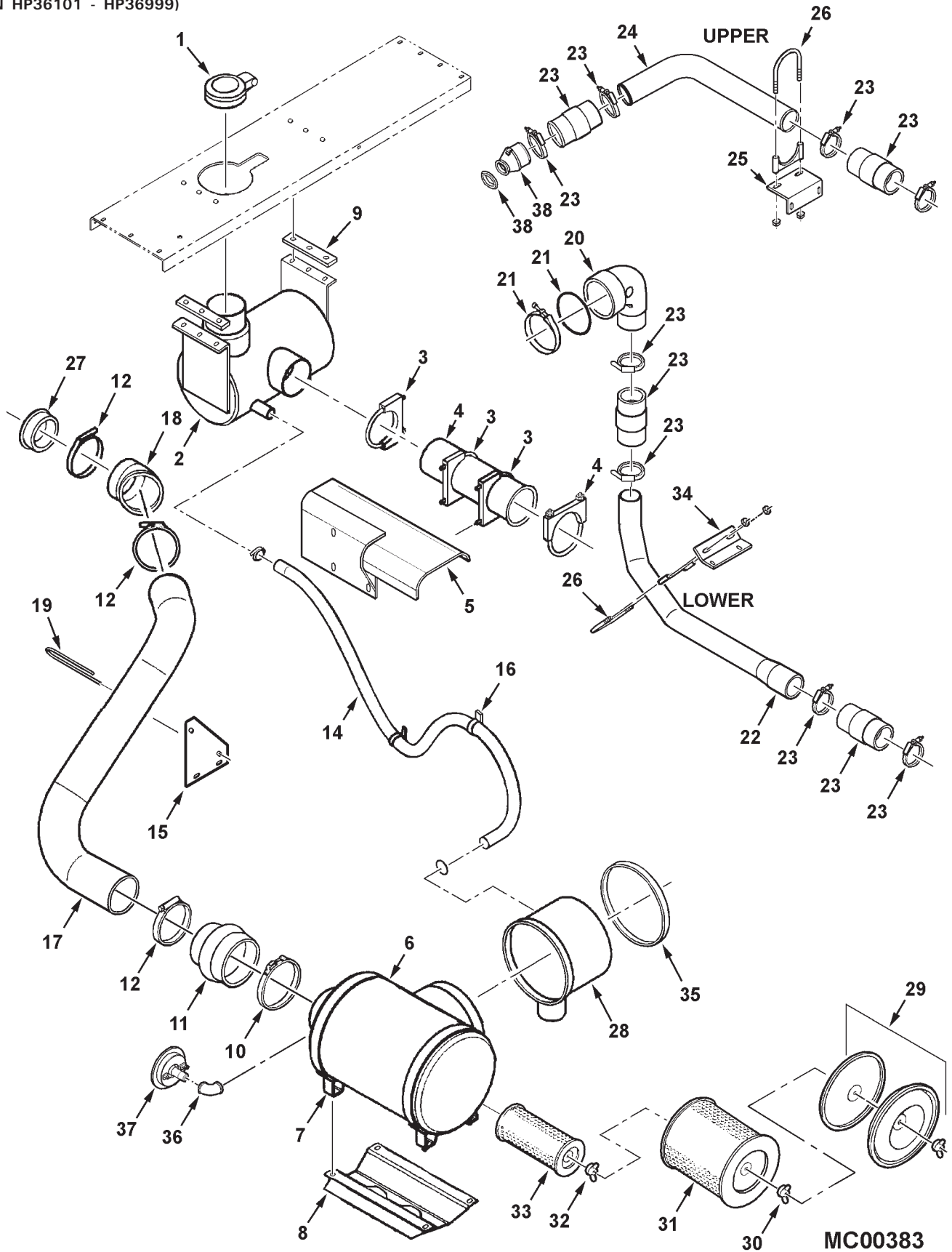
**AIR INTAKE & EXHAUST
CUMMINS QSL9 ENGINE
(S/N HP36101 - HP36999)**

ITEM	NUMBER	QTY	DESCRIPTION
1	71400553	1	CAP ASY, 5.0" EXHAUST
2	71400551	1	MUFFLER
	70917372	6	NUT, 5/16-18 REG
	70917356	6	LOCKWASHER, 5/16 REG
	Y705525	6	WASHER, 5/16 HARD
	7770308	6	BOLT, RD HD SQ NK, 5/16-18 X 1-1/2
3	71396994	3	CLAMP, 5" MUFFLER
	Y704734	6	NUT, HEX FLANGE TOP LOCK, 3/8-16
4	71406719	1	TUBE, EXHAUST
	103830W91	1	CLAMP, 4" MUFFLER
	Y704734	2	NUT, HEX FLANGE TOP LOCK, 3/8-16
5	71406718	1	SHIELD WLDMT, EXHAUST
6	71368953	1	AIR CLEANER (INCL ITEMS 29 - 33)
7	AG512664	2	BAND CLAMP, 14" ID
	70921210	4	CAPSCREW, 3/8-16 X 1 GR5
	Y705533	4	WASHER, 3/8 HARD
	70916965	4	LOCKWASHER, 3/8
	70916950	4	NUT, 3/8-16 REG
8	71397882	1	CHANNEL, MOUNT, AIR CLNR
	7883333	2	SCREW, HEX WSHR HD MACH, 5/16-18 X 1
	Y704726	2	NUT, HEX FLANGE TOP LOCK, 5/16-18
9	71400562	2	SPACER BAR, MUFFLER
10	700717761	1	CLAMP, T-BOLT
11	2632680W1	1	REDUCER, 6 X 5 DIA
12	72160993	3	CLAMP, BAND, 5.25-5.62 DIA
14	71400561	1	HOSE, ASPIRATOR, 1.5 ID
	70921912	2	CLAMP, WORM DRIVE, 1.06 - 2.0 DIA
15	71397883	1	BRACKET, INTAKE TUBE
	70917372	2	NUT, 5/16-18 REG
	Y705608	2	WASHER, 5/16, NARROW
	70917356	2	LOCKWASHER, 5/16 REG
	70921332	2	CAPSCREW, 5/16-18 X 3/4 GR5
16	70936765	1	CLAMP, TUBE, 1-3/4 X .406 HOLE
17	71397880	1	TUBE, AIR CLEANER TO ENG
18	71397895	1	ELBOW, 45 DEG, 5"
19	2625940W1	1	U-BOLT, 5 DIA, 5/16-18
	Y705608	2	WASHER, 5/16, NARROW
	70917356	2	LOCKWASHER, 5/16
	70917372	2	NUT, 5/16-18 REG
20	3682674	1	CONNECTION, 90 DEG ELBOW (CUMMINS)
21	3067979	1	CLAMP, V-BAND (CUMMINS)
	3682177	1	SEAL, O-RING (CUMMINS)
22	71401369	1	TUBE, AIR, CAC LOWER
23	3071049	4	HUMP HOSE, 4" (CUMMINS)
	3926704	8	CLAMP, T-BOLT (CUMMINS)

CONTINUED

MC00383
PR: t05b08m42d0001

AIR INTAKE & EXHAUST
CUMMINS QSL9 ENGINE
(S/N HP36101 - HP36999)



MC00383

**9790 COMBINE
ENGINE**

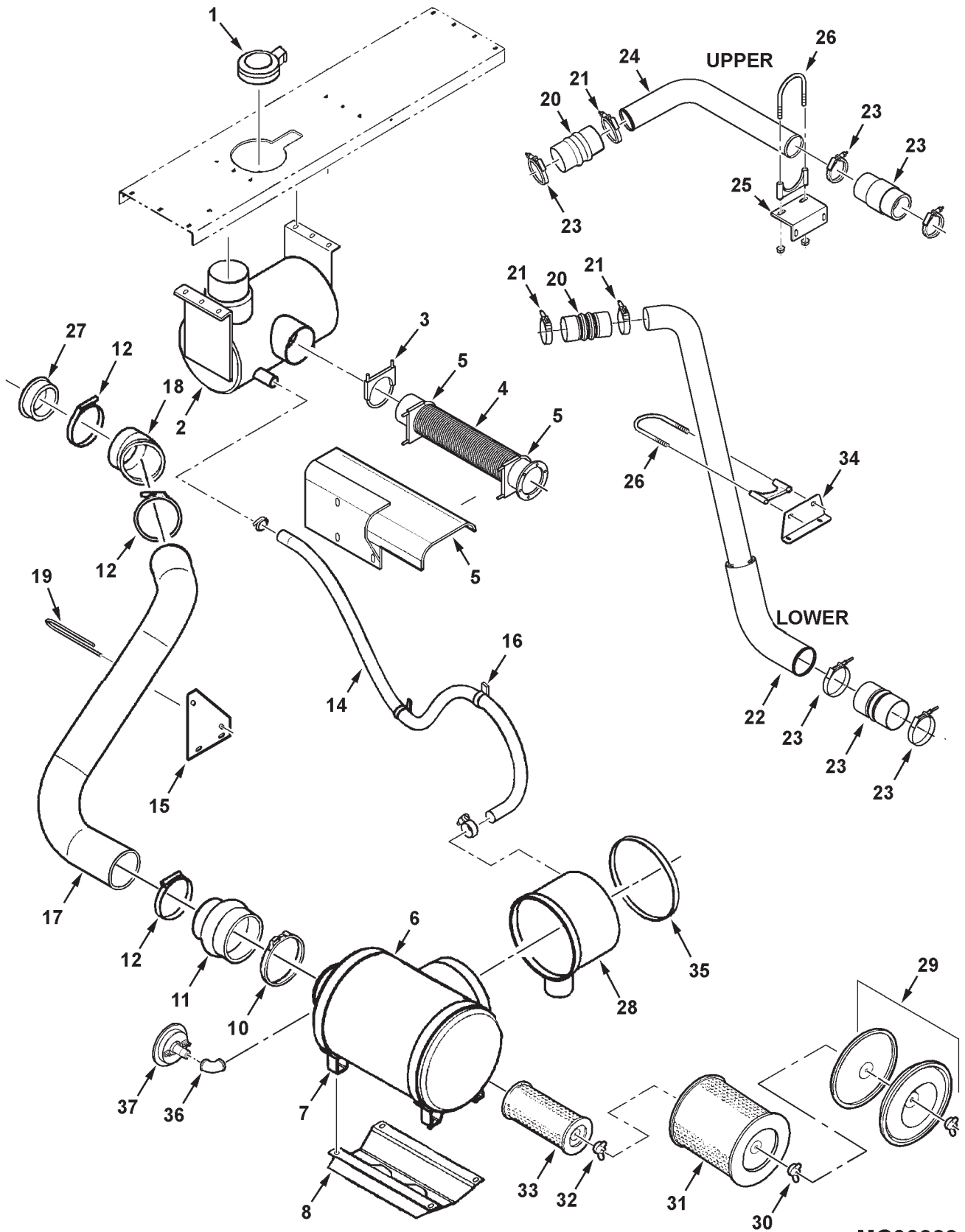
105

**AIR INTAKE & EXHAUST
CUMMINS QSL9 ENGINE
(S/N HP36101 - HP36999)**

ITEM	NUMBER	QTY	DESCRIPTION
24	71389410	1	TUBE, AIR, CAC UPPER
25	71401355	1	ANGLE BRKT, UPPER TUBE SUPPORT
	70921333	2	CAPSCREW, 5/16-18 X 3/4 GR5
	70917356	2	LOCKWASHER, 5/16 REG
	Y705525	2	WASHER, 5/16 HARD
26	7024938	2	CLAMP, 4 DIA, MUFFLER
	Y705533	4	WASHER, 3/8, HARD
	Y704734	4	NUT, HEX FLANGE TOP LOCK, 3/8-16
27	71397881	1	REDUCER RING, 5" TO 4" DIA
28	71397886	1	PRECLEANER
29	71368963	1	COVER ASY, (INCL. NUT, CLIP & GASKET)
	71374564	1	WING NUT
	71374565	1	CLIP
	71369877	1	GASKET, COVER
30	70269246	1	NUT ASY
31	71368961	1	ELEMENT, PRIMARY, FILTER
32	70257297	1	NUT ASY, SAFETY
33	71368962	1	ELEMENT, FILTER, SAFETY
34	71404410B	1	ANGLE BRKT, LOWER TUBE SUPPORT
35	71399697	1	SEAL, AIR CLEANER
36	70915955	1	ELBOW, 90 DEG FEM. 1/8-27 NPTF
37	31-2530050	1	SWITCH, AIR CLEANER VACUUM
38	71386890	1	ELBOW, AIR TRANSFER, TURBO OUT
	70917673	2	PLUG, 1/8 NPT
	3883284	1	O-RING, (CUMMINS)
	3923060	1	V-CLAMP, (CUMMINS)

MC00383
PR: t05b08m42d0001

AIR INTAKE AND EXHAUST
SISU ENGINE
(EFF. S/N HR36101)



**9790 COMBINE
ENGINE**

107

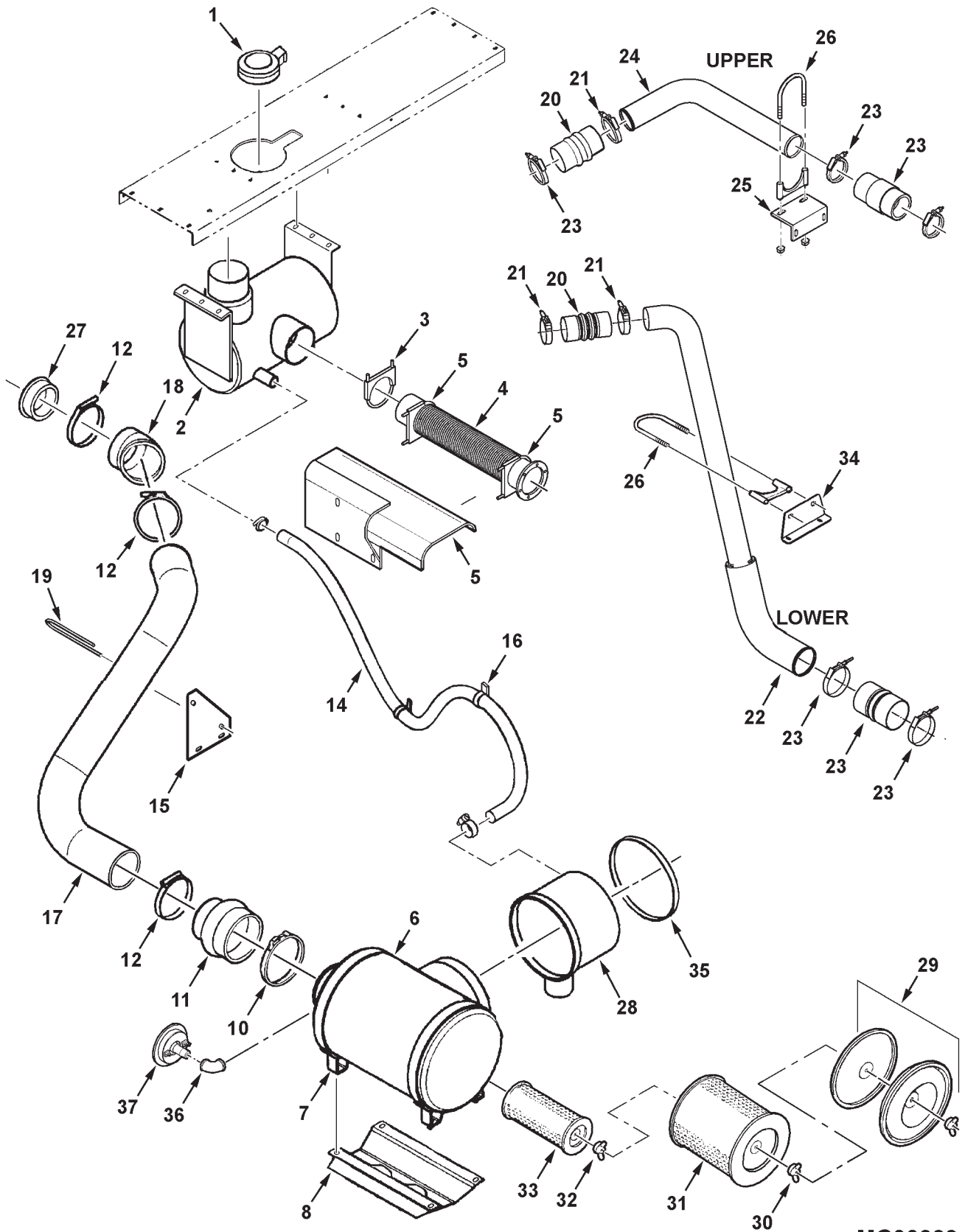
**AIR INTAKE AND EXHAUST
SISU ENGINE
(EFF. S/N HR36101)**

ITEM	NUMBER	QTY	DESCRIPTION
1	71400553	1	CAP ASY, 5.0 ID, EXHAUST
2	71400551	1	MUFFLER, EXHAUST
	7700461	6	BOLT, RD HD SHT SQ NK, 5/16-18 X 3/4
	70917642	6	WASHER, 5/16, WIDE
	70917356	6	LOCKWASHER, 5/16 REG
	70917372	6	NUT, 5/16-18 REG
3	71396994	1	CLAMP, 5" MUFFLER
	Y704734	2	NUT, HEX FLANGE TOP LOCK, 3/8-16
4	71406630	1	TUBE, EXHAUST
	391990X1	6	CPSCR,HX SOCK HD, M8-1.25 X 25, 10.9
5	71406612	1	SHIELD WLMT, EXHAUST
	103830W91	2	CLAMP, 4" MUFFLER
	Y704734	4	NUT, HEX FLANGE TOP LOCK, 3/8-16
6	71368953	1	AIR CLEANER (INCL ITEMS 29 - 33)
7	AG512664	2	BAND CLAMP, 14" ID
	70921210	4	CAPSCREW, 3/8-16 X 1 GR5
	70918266	4	WASHER, 3/8, NARROW
	70916965	4	LOCKWASHER, 3/8
	70916950	4	NUT, 3/8-16 REG
8	71397882	1	CHANNEL, MOUNT, AIR CLNR
	7883333	2	SCREW, HEX WSHR HD MACH, 5/16-18 X 1
	Y704726	2	NUT, HEX FLANGE TOP LOCK, 5/16-18
10	700717761	1	CLAMP, T-BOLT
11	2632680W1	1	REDUCER, 6 X 5 DIA
12	72160993	3	CLAMP, BAND, 5.25-5.62 DIA
14	71400561	1	HOSE, ASPIRATOR, 1.5 ID
	70921912	2	CLAMP, WORM DRIVE, 1.06 - 2.0 DIA
15	71406609	1	BRACKET, INTAKE TUBE
	70921332	2	CAPSCREW, 5/16-18 X 3/4 GR5
	Y705608	2	WASHER, 5/16, NARROW
	70917356	2	LOCKWASHER, 5/16 REG
	70917372	2	NUT, 5/16-18 REG
16	70936765	2	CLAMP, TUBE, 1-3/4 X .406 HOLE
17	71406626	1	TUBE, AIR CLEANER TO ENG
18	71397895	1	ELBOW, 45 DEG, 5"
19	2625940W1	1	U-BOLT, 5 DIA, 5/16-18
	Y705608	2	WASHER, 5/16, NARROW
	70917356	2	LOCKWASHER, 5/16
	70917372	2	NUT, 5/16-18 REG

CONTINUED

MC00399
PR: t05109o11c0020

AIR INTAKE AND EXHAUST
SISU ENGINE
(EFF. S/N HR36101)



**9790 COMBINE
ENGINE**

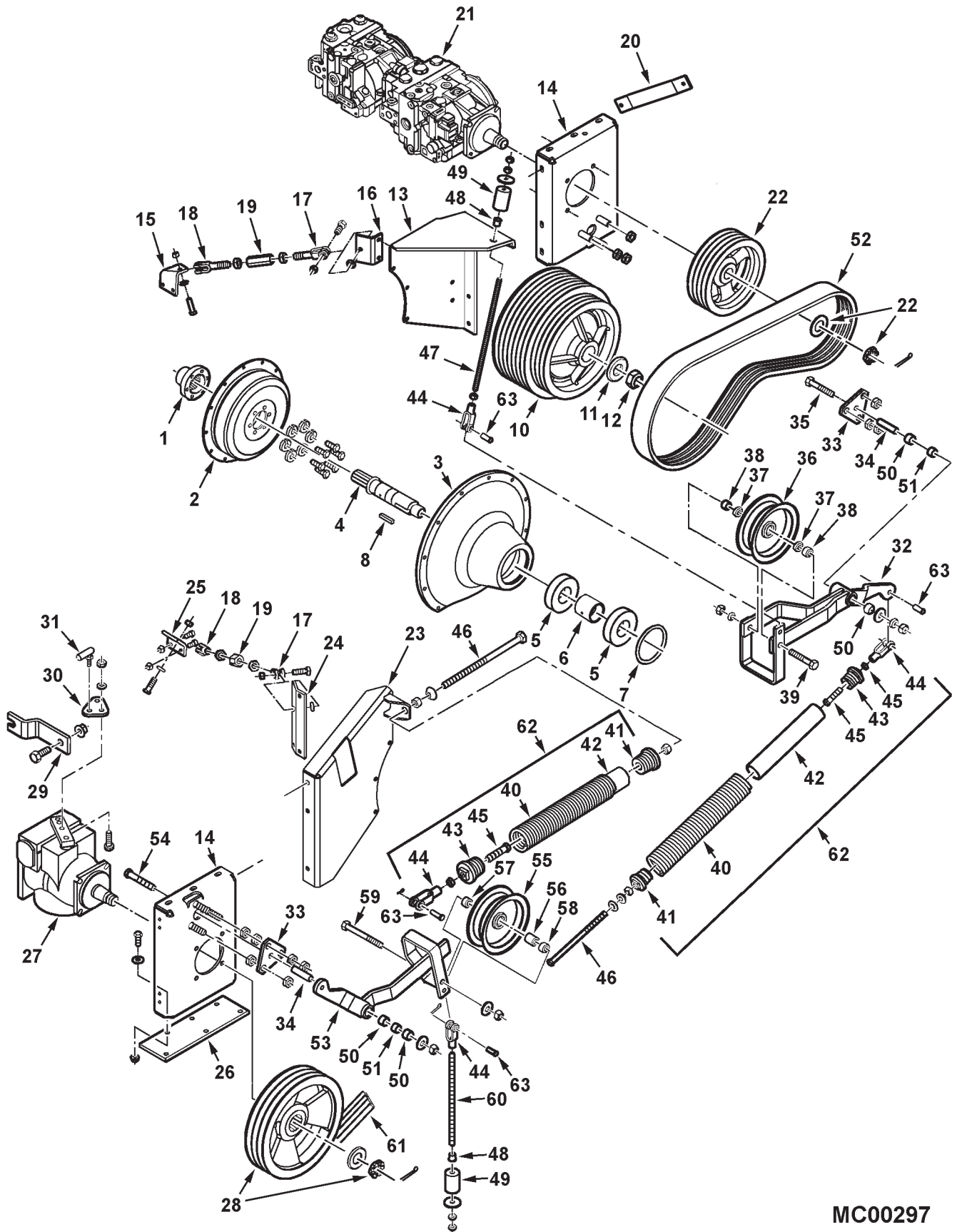
109

**AIR INTAKE AND EXHAUST
SISU ENGINE
(EFF. S/N HR36101)**

ITEM	NUMBER	QTY	DESCRIPTION
20	71408692	2	HOSE, BELLOWS, 3.0 ID
21	700726543	4	CLAMP, SPRING HOSE, 3.13-3.44 ID
22	71406631	1	TUBE, AIR, CAC TO ENGINE, LOWER
23	71407545	2	HOSE, BELLOWS, 4.0 ID
	71396983	4	CLAMP, T-BOLT, 4.13-4.44 DIA
24	71406625	1	TUBE, AIR, ENGINE TO CAC, UPPER
25	71406608	1	SUPPORT BRKT, CAC TUBE
	70921332	2	CAPSCREW, 5/16-18 X 3/4 GR5
	Y705608	2	WASHER, 5/16, NARROW
	70917356	2	LOCKWASHER, 5/16 REG
26	71399682	2	CLAMP, 3" DIA, EXHAUST
	Y704734	4	NUT, HEX FLANGE TOP LOCK, 3/8-16
27	71397881	1	REDUCER RING, 5" TO 4" DIA
28	71397886	1	PRECLEANER
29	71368963	1	COVER ASY, (INCL. NUT, CLIP & GASKET)
	71374564	1	WING NUT
	71374565	1	CLIP
	71369877	1	GASKET, COVER
30	70269246	1	NUT ASY
31	71368961	1	ELEMENT, PRIMARY, FILTER
32	70257297	1	NUT ASY, SAFETY
33	71368962	1	ELEMENT, FILTER, SAFETY
34	71409063	1	SUPPORT BRKT, CAC TUBE
35	71399697	1	SEAL, AIR CLEANER
36	70915955	1	ELBOW, 90 DEG FEM. 1/8-27 NPTF
37	31-2530050	1	SWITCH, AIR CLEANER VACUUM

MC00399
PR: t05109o11c0020

MAIN ENGINE DRIVES



**9790 COMBINE
ENGINE**

111

MAIN ENGINE DRIVES

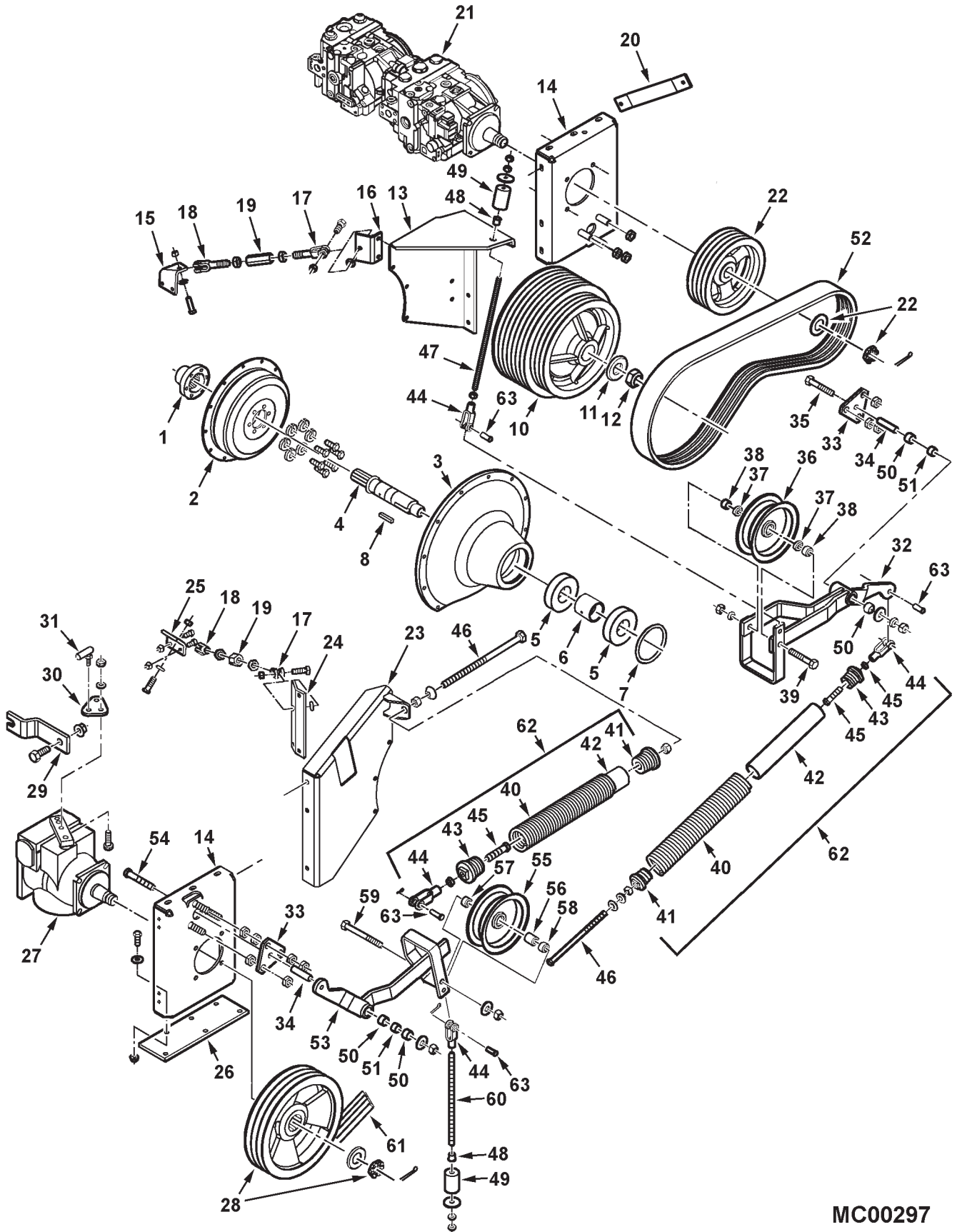
ITEM	NUMBER	QTY	DESCRIPTION
1	71386880	1	HUB, FLEX COUPLING
2	71370165	1	COUPLING, FLEX
	7702202	6	CAPSCREW, 7/16-14 X 1-1/4 GR5
	70918199	6	LOCKWASHER, 7/16, REG
	70922845	8	SCR,FLNG 12-PT HD, 3/8-16 X 3/4 GR8 (PRIOR S/N HR36101)
	3009292X1	8	CPS,HEX SOCK HD, M10-1.5 X 25 CL10.9 (EFF. S/N HR36101)
3	71390090	1	HOUSING, PTO
	7771728	9	CAPSCREW, M10-1.5 X 40, CL8.8(WAS 10 PRIOR S/N HP36--- MID PROD'N RUN)
	700708367	9	LOCKWASHER, M10 REG (WAS QTY 10)
4	71398332	1	SHAFT, PTO
5	71398331	2	BEARING, BALL, SPECIAL
6	71398333	1	SPACER, BEARING
7	700720004	1	RING, RETAINING, INTERNAL
8	71178962	1	KEY, 3/8 SQ. ROUND END
10	71390091	1	SHEAVE, PTO DRIVER
11	70928136	1	WASHER, HARD, 1.56 ID X 3.0 OD
12	70925284	1	NUT, HEX, NYLON LOCK, 1-1/2-12
13	71390872	1	BRACE, PUMP SUPPORT (PRIOR S/N HR36101)
	71406615	1	BRACE, PUMP SUPPORT (EFF. S/N HR36101)
	70921176	3	CAPSCREW, 1/2-13 X 1-1/4 GR5
	70918431	3	WASHER, FLAT, 1/2, WIDE
	Y704742	3	LOCKNUT, HEX FLANGE, 1/2-13, GR G
14	71390084	2	SUPPORT WLDMT, PUMP
	701235	6	CAPSCREW, 1/2-13 X 1-1/2 GR5
	70918431	6	WASHER, FLAT, 1/2, WIDE
	Y704742	6	LOCKNUT, HEX FLANGE, 1/2-13, GR G
15	103284M1R	1	BRACE, PUMP SUPPORT
	70921210	2	CAPSCREW, 3/8-16 X 1" GR5
	Y704734	2	NUT, HEX FLANGE TOP LOCK, 3/8-16
16	71390079	1	ANCHOR, CLEVIS
	70921176	2	CAPSCREW, 1/2-13 X 1-1/4 GR5
	Y704742	2	LOCKNUT, HEX FLANGE, 1/2-13, GR G
17	844174M1	2	CLEVIS, 3/4-10UNC, LH THD
	703983	2	CAPSCREW, 1/2-13 X 1-3/4, GR5
	70918431	4	WASHER, FLAT, 1/2, WIDE
	70926946	2	LOCKNUT, HEX TOP, 1/2-13
18	844173M1	2	CLEVIS, 3/4-10UNC, RH THD
	703983	2	CAPSCREW, 1/2-13 X 1-3/4, GR5
	70918431	4	WASHER, FLAT, 1/2, WIDE
	70926946	2	LOCKNUT, HEX TOP, 1/2-13
19	255301M2	2	TURNBUCKLE, 3/4-10UNC
	70929288	2	NUT, JAM, 3/4-10 LH
	70922037	2	NUT, JAM, 3/4-10 RH
20	71390870	1	BRACE, ROTOR PUMP
	70920415	1	CAPSCREW, 3/8-16 X 1-1/4, GR5
	Y704734	1	NUT, HEX FLANGE TOP LOCK, 3/8-16
	70921176	1	CAPSCREW, 1/2-13 X 1-1/4, GR5
	Y704742	1	LOCKNUT, HEX FLANGE, 1/2-13, GR G
21	71388852	1	TANDEM PUMPS
	703983	4	CAPSCREW, 1/2-13 X 1-3/4, GR5
	353773X1	4	WASHER, HVY HARD, .50
	Y704742	4	LOCKNUT, HEX FLANGE, 1/2-13, GR G

CONTINUED

MC00297
PR: 34

9790 COMBINE
ENGINE

MAIN ENGINE DRIVES



**9790 COMBINE
ENGINE**

113

MAIN ENGINE DRIVES

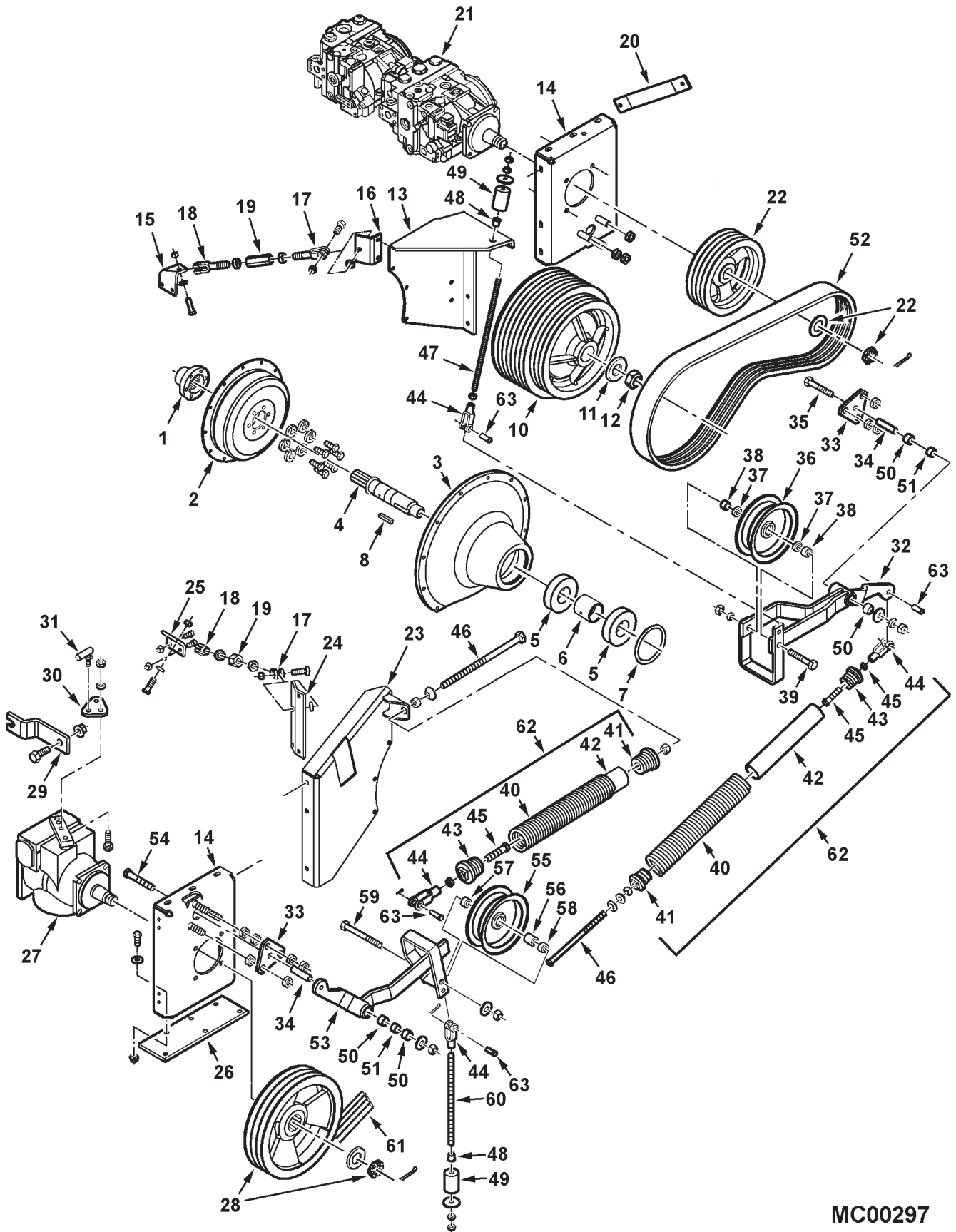
ITEM	NUMBER	QTY	DESCRIPTION
22	71390092	1	SHEAVE, ROTOR PUMP
	70926208	1	WASHER, HARD, 1.31 X 2.25 X .25
	71356529	1	NUT, SLOTTED HEX (SUPPLIED W/ PUMP)
	70925719	1	PIN, COTTER, 1/8 X 2"
23	71390087	1	BRACE WLMT,PUMP SUPPT(PRIOR S/N HR36101)
	71406616	1	BRACE WLMT,PUMP SUPPT (EFF. S/N HR36101)
	703983	2	CAPSCREW, 1/2-13 X 1-3/4 GR5
	70921176	1	CAPSCREW, 1/2-13 X 1-1/4 GR5
	70918431	3	WASHER, FLAT, 1/2, WIDE
	Y704742	3	LOCKNUT, HEX FLANGE, 1/2-13, GR G
24	71390081	1	ANCHOR, CLEVIS
25	71390080	1	ANCHOR, CLEVIS
	703249	2	CAPSCREW, 3/8-16 X 1" GR5
	Y704734	2	NUT, HEX FLANGE TOP LOCK, 3/8-16
26	71390082	1	PLATE, PUMP SUPPORT
	70921176	2	CAPSCREW, 1/2-13 X 1-1/4, GR5
	Y704742	2	LOCKNUT, HEX FLANGE, 1/2-13, GR G
27	71388873	1	PUMP, VARIABLE DISPL, PROPEL
	703983	4	CAPSCREW, 1/2-13 X 1-3/4, GR5
	353773X1	4	WASHER, HVY HARD, .50
	Y704742	4	LOCKNUT, HEX FLANGE, 1/2-13, GR G
28	71389641	1	SHEAVE, PROPEL PUMP
	70926208	1	WASHER, HARD, 1.31 X 2.25 X .25
	71356529	1	NUT, SLOTTED HEX (SUPPL'D W/ PUMP)
	70925719	1	PIN, COTTER, 1/8 X 2"
29	71395565	1	BRACKET, CABLE ANCHOR
	703249	2	CAPSCREW, 3/8-16 X 1" GR5
	Y704734	2	NUT, HEX FLANGE TOP LOCK, 3/8-16
30	71397428	1	PLATE, ADAPTER
	353505X1	2	CAPSCREW, 1/4-28 X 1" GR5
	705012	2	LOCKWASHER, 1/4 REG
	70914192	2	NUT, 1/4-28UNF
31	7845068	1	BALL JOINT
	Y704445	1	NUT, HEX, #10-32 REG
	70921880	1	WASHER, EXT TOOTH, .25 NOM.
	70914192	1	NUT, 1/4-28UNF
32	71395813	1	ARM ASY, IDLER
33	71346267	2	PLATE, MOUNTING
	70922037	12	NUT, JAM, 3/4-10UNC
34	71390203	2	SLEEVE, IDLER PIVOT
35	70925704	1	CAPSCREW, 5/8-11 X 4-1/2 GR5
	70918432	1	WASHER, 5/8, WIDE
	70917373	1	LOCKWASHER, 5/8
	70932665	1	NUT, 5/8-11UNC, REG
36	71390861	1	IDLER, FLAT, 8" DIA
37	71312603	2	SPACER, IDLER
38	6529705	2	SPACER, 1" OD X .492 LG
39	873802	1	CAPSCREW, 5/8-11 X 7" GR5
	70917373	1	LOCKWASHER, 5/8
	70932665	1	NUT, 5/8-11UNC, REG

CONTINUED

MC00297
PR: 34

9790 COMBINE
ENGINE

MAIN ENGINE DRIVES



**9790 COMBINE
ENGINE**

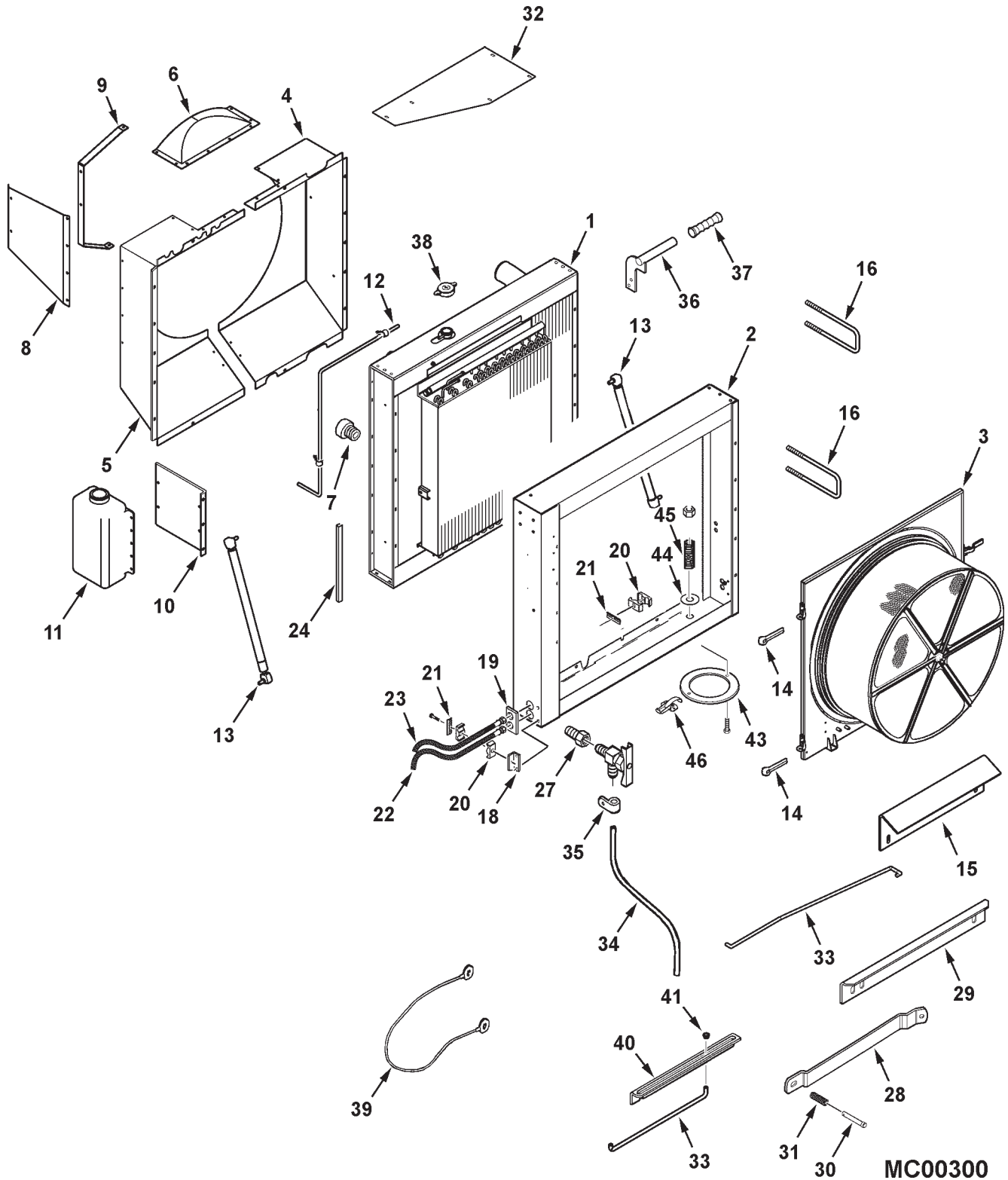
115

MAIN ENGINE DRIVES

ITEM	NUMBER	QTY	DESCRIPTION
40	71349270	2	SPRING, EXTENSION
41	71395776B	2	PLUG, SPRING, 5/8-11UNC
42	71396355	2	HOSE, SPRING DAMPER
43	71349813	2	PLUG, SPRING, .53 HOLE
44	70937465	4	YOKE, 1/2-13UNC
45	7703531	2	CAPSCREW, 1/2-13 X 2-1/2 GR5
	704056	2	NUT, HEX JAM, 1/2-13
46	8701211	2	BOLT, HEX, 5/8-11 X 13" FULL THD, GR5
	71395175	2	PIVOT WASHER, 11/16 HOLE
	70918432	2	WASHER, 5/8, WIDE
	375112X1	2	NUT, HEX JAM, 5/8-11
47	71380468	1	ROD, THREADED, 1/2-13UNC X 15.3 LG
	704056	3	NUT, HEX JAM, 1/2-13
48	71304362	2	BUSHING, NYLON
	70924095	2	NUT, SPEED, FLAT, 3/4 NOM
49	71194263	2	BUSHING, RUBBER
	70923094	2	WASHER, .53 X 2.0 X .18 FLAT
50	71356060	4	BUSHING, IDLER ARM
51	71390208	2	SPACER
52	71390210	1	BELT, ROTOR PUMP DRIVE
53	71390204	1	ARM ASY, IDLER
54	70915988	1	CAPSCREW, 5/8-11 X 4-1/4 GR5
	70918432	1	WASHER, 5/8, WIDE
	70923353	1	NUT, CENTER LOCK, 5/8-11UNC
55	71309768	1	IDLER, FLAT, 8" DIA
56	71312603	1	SPACER, IDLER
57	71312602	1	SPACER, IDLER
58	2451440W1	1	SPACER
59	7702194	1	CAPSCREW, 5/8-11 X 5" GR5
	70917373	1	LOCKWASHER, 5/8 REG
	70932665	1	NUT, 5/8-11, REG
60	71382871	1	ROD, THREADED, 1/2-13UNC X 15.3 LG (PRIOR S/N HR36101)
	71396565	1	ROD, THREADED, 1/2-13UNC X 14.75 LG (EFF. S/N HR36101)
	704031	3	NUT, 1/2-13, REG
61	71390209	1	BELT, PROPEL PUMP (PRIOR S/N HR36101)
	71406620	1	BELT, PROPEL PUMP (EFF. S/N HR36101)
62	71395872	2	SPRING ASY, PUMP DRIVE (INCL IT'S 40-45)
63	70929593	4	PIN, CLEVIS, 1/2 DIA
	70918452	4	COTTER PIN, 1/8 X 1"

MC00297
PR: 34

COOLING SYSTEM



MC00300

**9790 COMBINE
ENGINE**

117

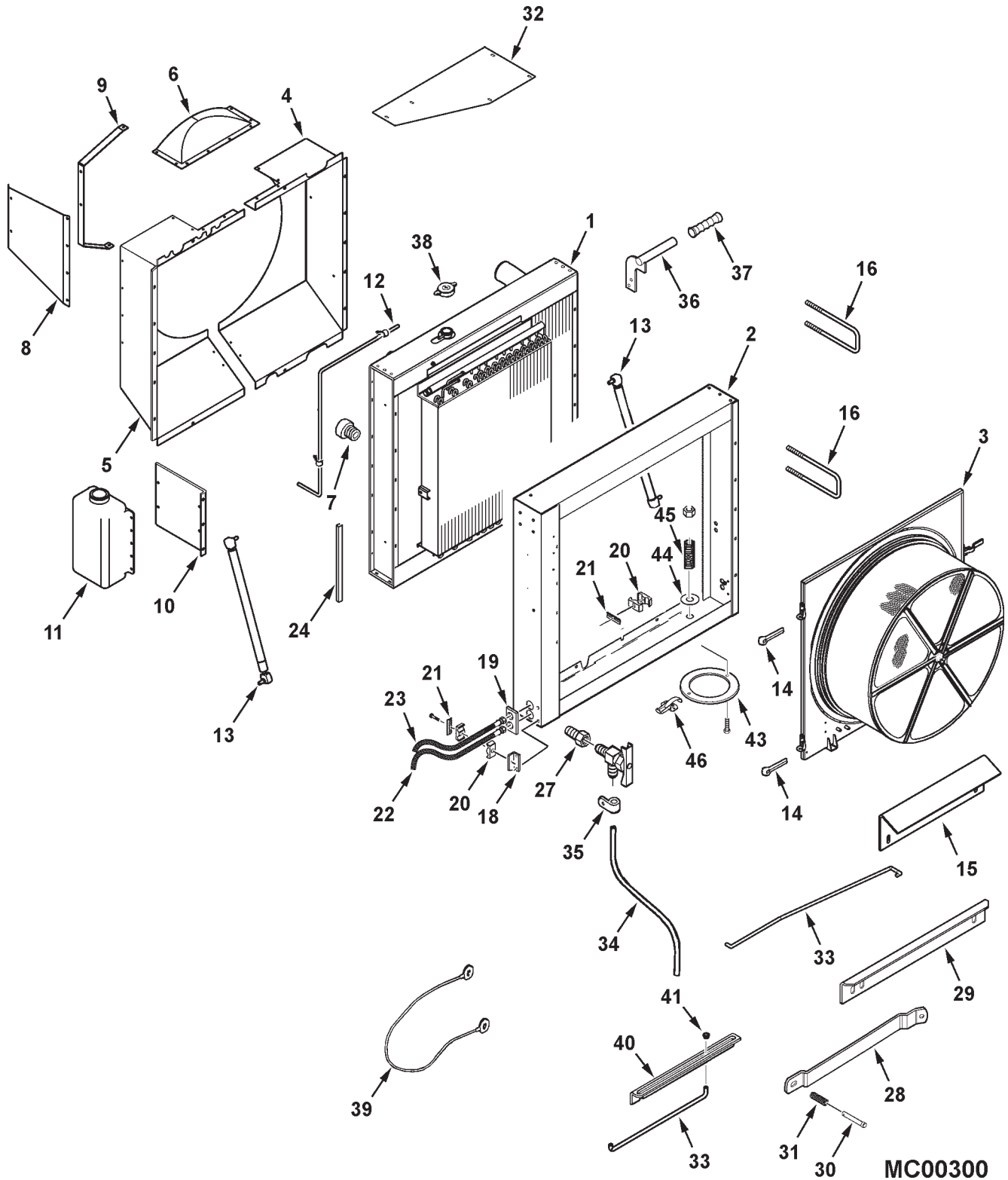
COOLING SYSTEM

ITEM	NUMBER	QTY	DESCRIPTION
1	-----	1	COOLING PACKAGE ASY.(PRIOR S/N HP36101) (INCL. FOLLOWING 4 COMPONENTS)
	71393841	1	RAD & CHARGE AIR COOLER ASY W/FRAME
	71387643	1	RADIATOR, NKKX, 7 ROW, 5 FPI
	71387644	1	CHARGE AIR COOLER, 4 ROW, 4 FPI
	71393842	1	COMBINATION COOLER, 4 ROW, 5 FPI (A/C, OIL & FUEL COOLER)
	-----	1	COOLING PACKAGE ASY.(EFF. S/N HP36101) (INCL. FOLLOWING 4 COMPONENTS)
	71401799	1	RAD & CHARGE AIR COOLER ASY W/FRAME
	71400554	1	RADIATOR, NKKX, 7 ROW, 6 FPI
	71404420	1	CHARGE AIR COOLER, 4 ROW, 4 FPI
	71393842	1	COMBINATION COOLER, 4 ROW, 5 FPI (A/C, OIL & FUEL COOLER)
	70921210	2	CAPSCREW, 3/8-16 X 1" GR5
	70916965	2	LOCKWASHER, 3/8, REG
	Y705533	2	WASHER, 3/8, HARD PLAIN
2	71401357	1	SHROUD WLMT, ROTARY SCREEN (PRIOR S/N HP36101)(FILL UNUSED HOLES W/SCREWS)
	71401807	1	SHROUD WLMT, ROTARY SCREEN (S/N HP36101- HP36999)(FILL UNUSED HOLES W/SCREWS)
	71410025	1	SHROUD WLMT, ROTARY SCREEN (EFF. S/N HR36101)
	Y704734	4	NUT, HEX FLANGE TOP LOCK, 3/8-16
	70917378	3	WASHER, 3/8, WIDE
	Y705533	9	WASHER, 3/8, HARD PLAIN
	70921210	12	CAPSCREW, 3/8-16 X 1, GR5
	70916965	9	LOCKWASHER, 3/8, REG
3	-----	1	SCREEN ASY. 40", COMPLETE (SEE COMPONENTS LISTING)
4	71393520	1	SHROUD WLMT,FAN FRONT(PRIOR S/N HP36101)
	71401817	1	SHROUD WLMT, FAN FRONT (S/N HP36101- HP36999)
	71405958	1	SHROUD WLMT,FAN FRONT (EFF. S/N HR36101)
	701565	5	SCR,HX WSHR HD,TAPPING, 1/4-20 X 3/4
	Y704734	1	NUT, HEX FLANGE TOP LOCK, 3/8-16
	Y705533	4	WASHER, 3/8, HARD PLAIN
	70916965	4	LOCKWASHER, 3/8, REG
	70921210	4	CAPSCREW, 3/8-16 X 1" GR5
5	71393523	1	SHROUD WLMT, FAN REAR(PRIOR S/N HP36101)
	71401806	1	SHROUD WLMT, FAN REAR (S/N HP36101- HP36999)
	71405957	1	SHROUD WLMT, FAN REAR (EFF. S/N HR36101)
	701565	6	SCR,HX WSHR HD,TAPPING, 1/4-20 X 3/4
	Y704734	1	NUT, HEX FLANGE TOP LOCK, 3/8-16
	Y705533	4	WASHER, 3/8, HARD PLAIN
	70916965	4	LOCKWASHER, 3/8, REG
	703249	4	CAPSCREW, 3/8-16 X 1" GR5
6	71387755	1	SHROUD WLMT, FAN TOP (PRIOR S/N HP36101)
	71396776	1	SHROUD WLMT, FAN TOP (S/N HP36101- HP36999)
	71410634	1	SHROUD WLMT, FAN TOP (EFF. S/N HR36101)
	70921332	8	CAPSCREW, 5/16-18 X 3/4 GR5
	70917356	8	LOCKWASHER, 5/16
	Y705525	8	WASHER, 5/16, HARD PLAIN
	70917372	8	NUT, 5/16-18 REG (PRIOR S/N HP36101)

CONTINUED

MC00300
PR: 40

COOLING SYSTEM



MC00300

**9790 COMBINE
ENGINE**

119

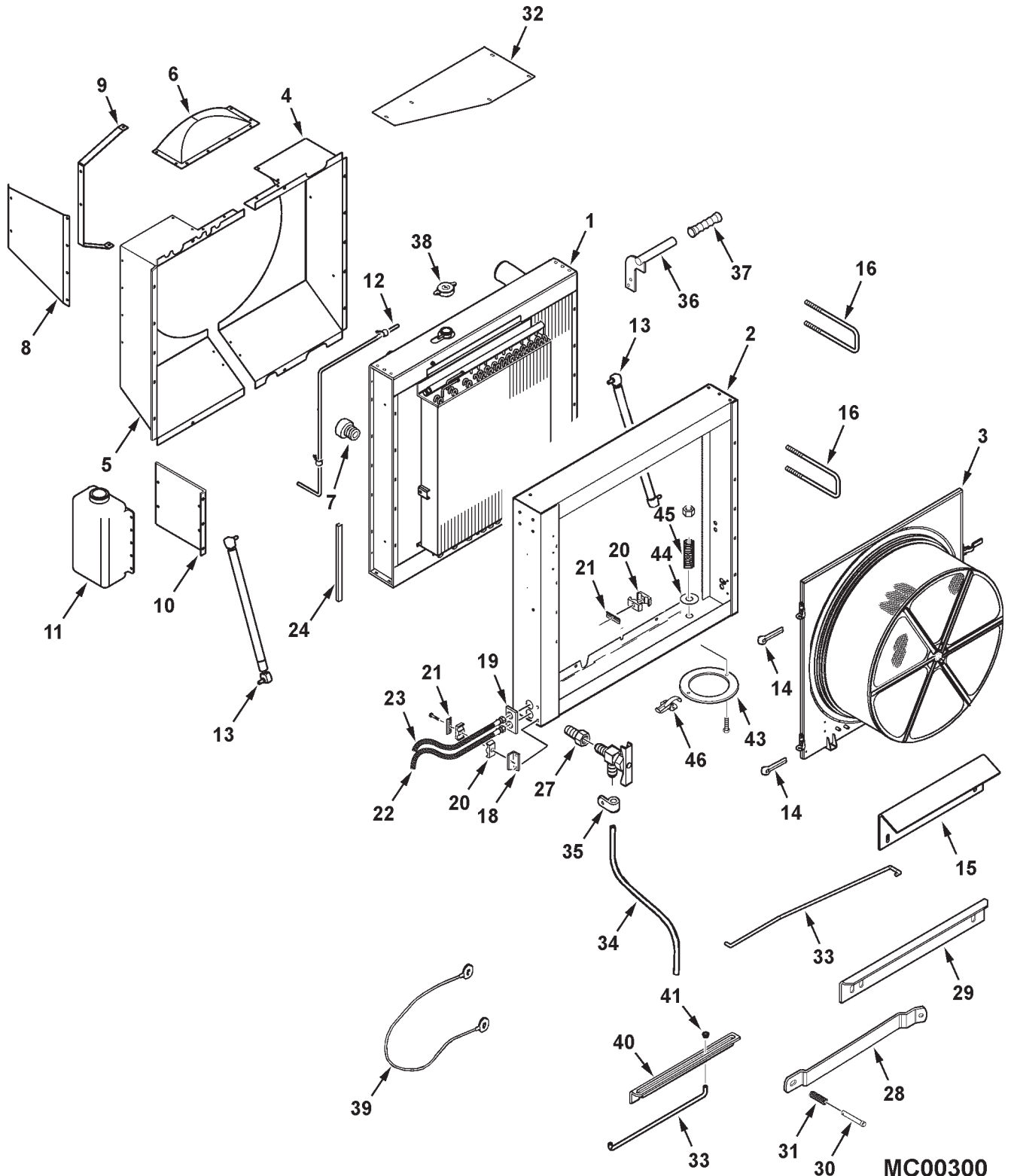
COOLING SYSTEM

ITEM	NUMBER	QTY	DESCRIPTION
7	70917970	1	PLUG, HEX SOCKET, 1/2 NTP
8	71387975	1	DEFLECTOR, AIR (PRIOR S/N HP36101)
	71404379	1	DEFLECTOR, AIR (S/N HP36101-HP36999)
	71406613	1	DEFLECTOR, AIR (EFF. S/N HR36101)
	Y705525	4	WASHER, 5/16, HARD PLAIN
	70917356	4	LOCKWASHER, 5/16
	70917372	2	NUT, 5/16-18 REG (PRIOR S/N HP36101)
	70921332	4	CAPSCREW, 5/16-18 X 3/4 GR5
9	71393525	1	STRAP, AIR DEFLECTOR (PRIOR S/N HP36101)
	71404415	1	STRAP, AIR DEFLECTOR (EFF. S/N HP36101)
	705707	1	WASHER, 1/4 WIDE
	705012	1	LOCKWASHER, 1/4
	704007	1	NUT, 1/4-20 REG
	7703457	1	CAPSCREW, 1/4-20 X 3/4 GR5
	70921332	3	CAPSCREW, 5/16-18 X 3/4 GR5
	Y705525	3	WASHER, 5/16, HARD PLAIN
	70917356	1	LOCKWASHER, 5/16
	Y704726	2	NUT, HEX FLANGE TOP LOCK, 5/16-18
10	71385996	1	PLATE, SUPPORT, OVERFLOW TANK (PRIOR S/N HP36101)
	705707	3	WASHER, 1/4 WIDE
	705012	3	LOCKWASHER, 1/4
	704007	3	NUT, 1/4-20, REG
	7703457	3	CAPSCREW, 1/4-20 X 3/4 GR5
11	71346998	1	TANK, COOLANT OVERFLOW
	70931317	4	BOLT, RD HD,SHT SQ NK, 1/4-20 X 3/4 (PRIOR S/N HP36101)
	7703457	4	CAPSCREW, 1/4-20 X 3/4 GR5
	353769X1	4	WASHER, 1/4, HARD PLAIN
	1703354	4	NUT, HEX FLANGE TOP LOCK, 1/4-20
12	71367032	2	HOSE,COOLNT RECOVERY (PRIOR S/N HP36101)
	71404417	1	HOSE,COOLANT RECOVERY (EFF. S/N HP36101)
	70925617	2	CLAMP, 1/2 X .406 HOLE
	70927097	1	CLAMP, 1/2 X .281 HOLE
13	71336386	2	SPRING, GAS
	71339847	4	STUD, BALL
	70917356	4	LOCKWASHER, 5/16
	70917372	2	NUT, 5/16-18 REG
14	70918452	2	PIN, COTTER, 1/8 X 1
15	71393833	1	RAMP, ROTARY SCREEN (PRIOR S/N HN36101)
	71378441	1	RAMP, ROTARY SCREEN (EFF. S/N HN36101)
	70921210	2	CAPSCREW, 3/8-16 X 1
	70917378	2	WASHER, 3/8 WIDE
	70916965	2	LOCKWASHER, 3/8
	70916950	2	NUT, 3/8-16 REG
16	1651910W1	2	LATCH BOLT
	70916950	8	NUT, 3/8-16 REG
18	71388063	1	ANGLE, SUPPORT, HOSE
	70921332	2	CAPSCREW, 5/16-18 X 3/4 GR5
	70917356	2	LOCKWASHER, 5/16
	70917372	2	NUT, 5/16-18 REG
19	71388064	1	SEAL, COOLER HOSE
20	101841M1	4	CLAMP PAIR, DOUBLE, 1-1/2 DIA

CONTINUED

MC00300
PR: 40

COOLING SYSTEM



**9790 COMBINE
ENGINE**

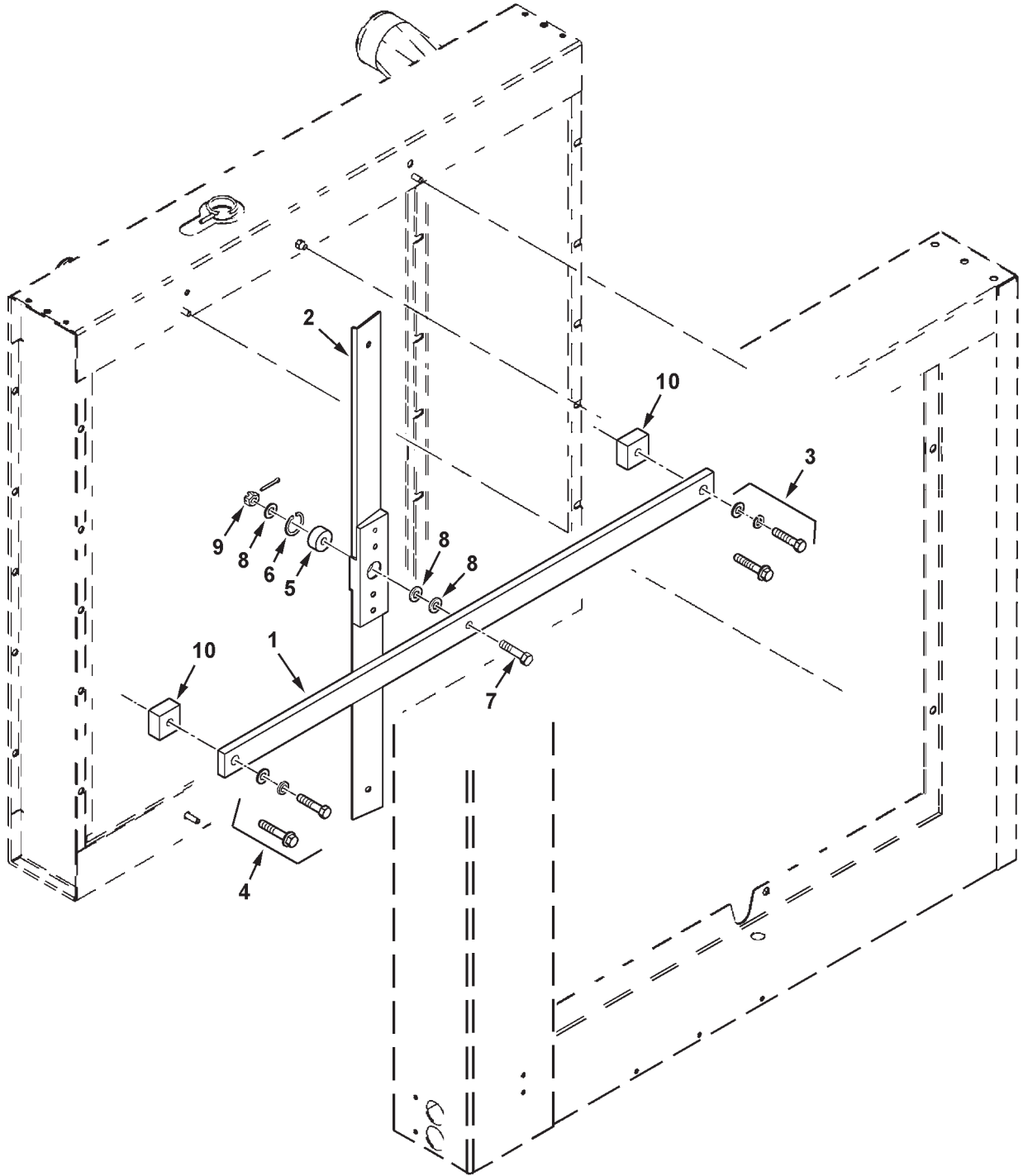
121

COOLING SYSTEM

ITEM	NUMBER	QTY	DESCRIPTION
21	101842M1	4	PLATE, COVER
	70926106	4	CAPSCREW, 5/16-18 X 3-1/4, GR5
	70917356	2	LOCKWASHER, 5/16
	Y704726	2	NUT, HEX FLANGE TOP LOCK, 5/16-18
22	71388061	1	HOSE ASY., COOLER
23	71388062	1	HOSE ASY., COOLER
24	71387797	1	EDGE MOULDING (EFF. S/N HR36101)
27	70933036	1	VALVE, DRAIN
	70917919	1	ADAPTER, 1/4 X 1/4 NPTF
28	71393834	1	LATCH, ROTARY SCREEN (PRIOR S/N HN36101)
29	71393840	1	GUIDE, PROP ROD (PRIOR S/N HN36101)
30	763565	1	PIN, CLVS, 5/16 X 2" (PRIOR S/N HN36101)
	70917642	1	WASHER, 5/16, WIDE
	62075	1	COTTER PIN, 1/8 X 3/4
31	K1846	1	SPRING (PRIOR S/N HN36101)
32	71393506	1	COVER, LWR SUB-FRAME (PRIOR S/N HP36101)
	71404416	1	COVER, LOWER SUB-FRAME(EFF. S/N HP36101)
	701565	5	SCR,HX WSHR HD,TAPPING, 1/4-20 X 3/4
33	71393835	1	PROP ROD, ROTARY SCRNPRIOR S/N HN36101)
	71399338	1	PROP ROD, ROTARY SCRNP (EFF. S/N HN36101)
	70918266	2	WASHER, 3/8 NARROW
	70918447	3	COTTER PIN, 3/32 X 3/4 (QTY 2,PRIOR S/N HN36101)
	70918547	1	PIN, SPRING, 1/8 X 1/2
34	71388089	1	HOSE ASY, RAD DRAIN
	700704010	AR	SILICONE SEALANT, BLACK
35	70936778	1	J-CLIP, 3/4 X .406 HOLE
	70917642	1	WASHER, 5/16, WIDE
	70917372	1	NUT, 5/16-18 REG
	70918249	1	SCREW, TRUSS HD, 5/16-18 X 3/4
36	71393831	1	HANDLE WLMT, COMBINATION COOLER
	70917356	2	LOCKWASHER, 5/16
	70917372	2	NUT, 5/16-18 REG
37	27342	1	GRIP, HANDLE
38	71400413	1	CAP, RADIATOR
39	112942W1	1	TETHER STRAP
	7703457	2	CAPSCREW, 1/4-20 X 3/4
	70918264	1	WASHER, 1/4 NARROW
	1703354	2	NUT, HEX FLANGE TOP LOCK, 1/4-20
40	71388880	1	BRACKET, PROP ROD (EFF. S/N HN36101)
	7700461	3	BOLT, RND HD SQ NECK, 5/16-18 X 3/4
	Y705525	3	WASHER, 5/16, HARD PLAIN
	70917356	3	LOCKWASHER, 5/16
	70917372	3	NUT, 5/16-18 REG
41	71388882	1	BUSHING, PROP ROD (EFF. S/N HN36101)
43	487777	1	COVER, CLEANOUT ACCESS
	Y705525	1	WASHER, 5/16 HARD PLAIN
	Y704726	1	NUT, HEX FLANGE TOP LOCK, 5/16-18
	7771744	1	CAPSCREW, 5/16-18 X 2-1/4 GR5
44	700709866	1	WASHER, SELF-ADHESIVE
45	758342	1	SPRING
46	70537291	1	FASTENER, SNAP
	700702358	1	SCREW, PAN HEAD, #10-24 X 1"
	70917380	1	WASHER, #10 PLAIN
	70917365	1	LOCKWASHER, #10 REG
	70916621	1	NUT, #10-24 REG

MCO0300
PR: 40

RADIATOR SLINGER



**9790 COMBINE
ENGINE**

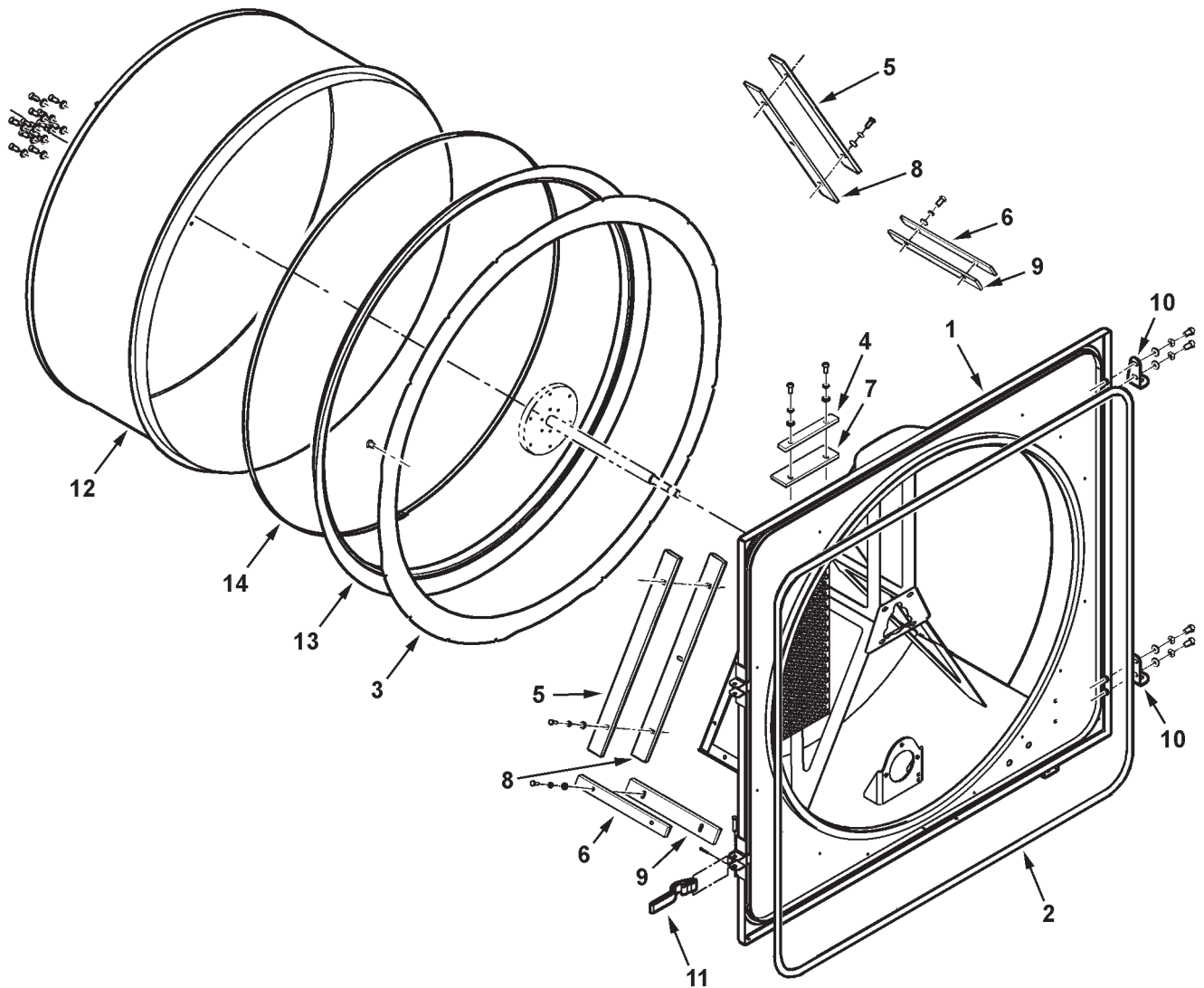
123

RADIATOR SLINGER

ITEM	NUMBER	QTY	DESCRIPTION
1	71391541	1	SUPPT CHANNEL,SLINGER(PRIOR S/N HP36101)
	71404414	1	SUPPORT BAR, SLINGER (EFF. S/N HP36101)
2	71391463	1	BLADE ASY, SLINGER
	71391461	2	BLADE, SLINGER
	71391462	1	CARRIER, BRG, SLINGER
	70920787	4	CAPSCREW, 5/16-18 X 1/2 LG, GR5
	79021668	AR	THREAD LOCKER, HIGH STRENGTH
	79021648	AR	PRIMER N
3	70921969	1	CPSCR, 3/8-16 X 1-1/2(PRIOR S/N HP36101)
	70916965	1	LOCKWASHER 3/8
	Y705533	1	WASHER, HARDENED .406 x .844
	700711134	1	CAPSCREW, HEX FLANGE, 3/8-16 X 1-3/4 (EFF. S/N HP36101)
4	70921971	1	CPSCR, 3/8-16 X 1-3/4(PRIOR S/N HP36101)
	70916965	1	LOCKWASHER 3/8
	Y705533	1	WASHER, HARDENED .406 x .844
	700711132	1	CAPSCREW, HEX FLANGE, 3/8-16 X 2 (EFF. S/N HP36101)
5	71391540	1	BEARING, BALL
6	70927692	1	RING, RETAINING
7	71391466	1	CAPSCREW, SPL. 3/8-24 X 1-1/4 (PRIOR S/N HP36101)
	71406694	1	CAPSCREW, SPL. 3/8-24 X 1-3/4 (EFF. S/N HP36101)
8	70918266	3	WASHER, 3/8, NARROW (WAS QTY 2 PRIOR TO S/N HP36101)
9	353924X1	1	NUT, SLOTTED HEX, 3/8-24
	70918452	1	COTTER PIN 1/8 X 1
	79021672	AR	THREAD LOCKER-MED. STRENGTH
	79021648	AR	PRIMER N
10	71392705	2	SPACER BLOCK, 3/4 TH

MC00386
PR: 46

ROTARY SCREEN
DOOR & SCREEN



**9790 COMBINE
ENGINE**

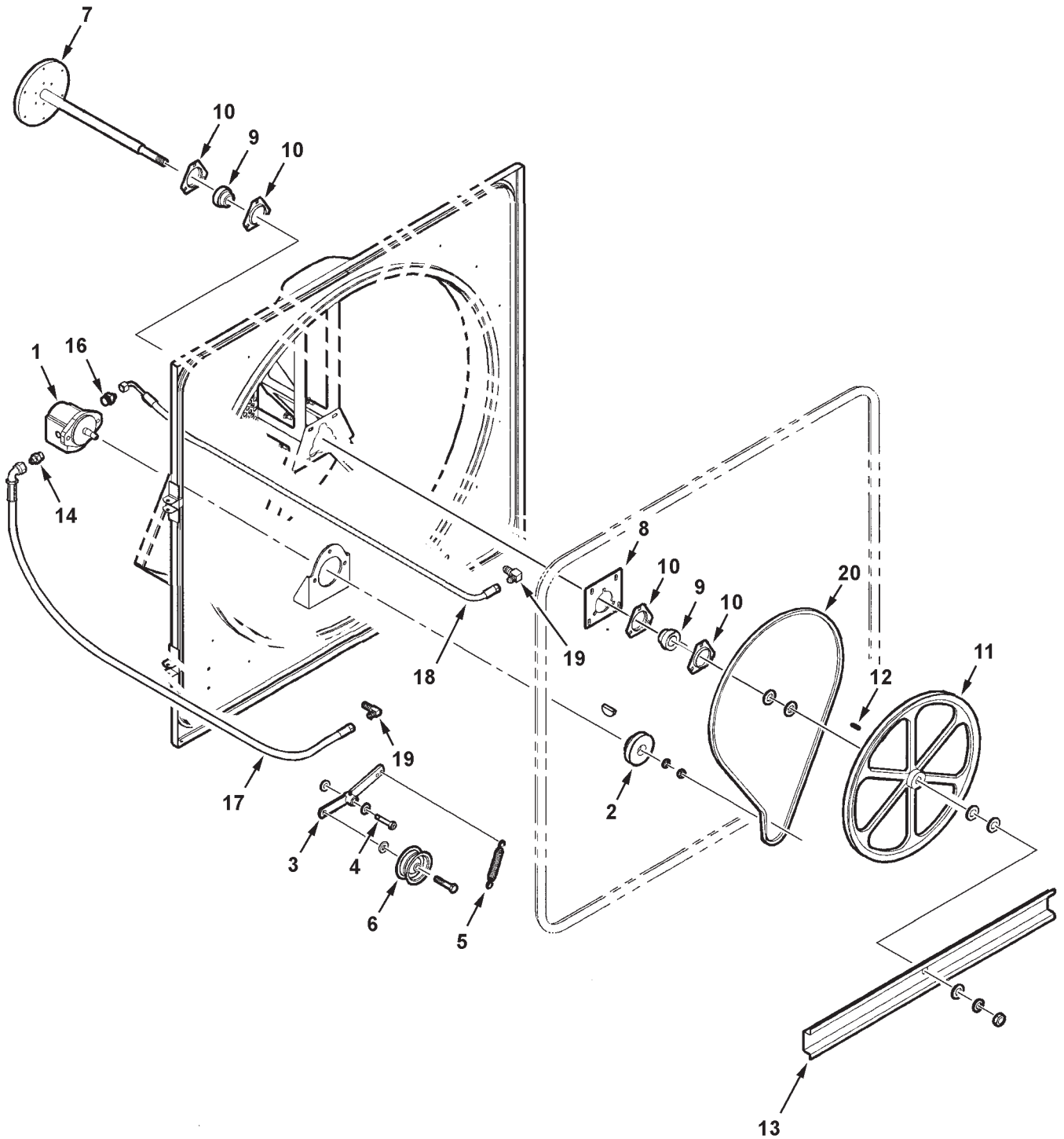
125

**ROTARY SCREEN
DOOR & SCREEN**

ITEM	NUMBER	QTY	DESCRIPTION
1	71397637	1	PANEL WLMT, 40" DIA SCREEN (PRIOR S/N HP36101)
	71404396	1	PANEL WLMT, 40" DIA SCREEN (S/N HP36101 - HP36999)
	71410021	1	PANEL WLMT, 40" D. SCR(N EFF.S/N HR36101)
2	71387996	1	SEAL, ROTARY SCREEN (PRIOR S/N HR36101)
	71410024	1	SEAL, ROTARY SCREEN (EFF. S/N HR36101)
3	71395750	1	RING, WEAR
	70924837	20	POP-RIVET, .188 X .063-.125 GRIP (QTY 16 PRIOR S/N HR36101)
4	71391036	1	PLATE, CUTOFF, UPPER (PRIOR S/N HP36101)
	71404403	1	PLATE, CUTOFF, UPPER (EFF. S/N HP36101)
	7703457	12	CAPSCREW, 1/4-20 X 3/4 GR5
	705012	12	LOCKWASHER, 1/4
	353769X1	2	WASHER, HARD, .281 X .656 X .074 TH
5	71391037	2	PLATE, CUTOFF, SIDE (PRIOR S/N HP36101)
	71404404	2	PLATE, CUTOFF, SIDE (EFF. S/N HP36101)
6	71404399	2	PLATE, CUTOFF, LOWER (EFF. S/N HP36101)
7	71404402	1	CURTAIN STRAP, FRONT (EFF. S/N HP36101)
8	71404401	2	CURTAIN STRAP, SIDE (EFF. S/N HP36101)
9	71404400	2	CURTAIN STRAP, LOWER (EFF. S/N HP36101)
10	71395906	2	BRACKET, HINGE
	Y705608	4	WASHER, 5/16 NARROW
	70917356	4	LOCKWASHER, 5/16
	70921332	4	CAPSCREW, 5/16-18 X 3/4 GR5
11	1799410W1	2	HANDLE, LATCH
	62075	2	COTTER PIN 1/8 X 3/4
	70927523	2	PIN, OVAL HD, DRILLED, 5/16 X 1-1/2
12	71391031	1	ROTARY SCREEN WLDMT
	353769X1	12	WASHER, HARD, .281 X .625 X .074 TH
	7703457	12	CAPSCREW, 1/4-20 X 3/4 GR5
13	71393650	1	SEAL, ROTARY SCREEN
14	71396752	1	CLAMP, BAND

MC00384
PR: 48

ROTARY SCREEN
MOTOR & DRIVE



**9790 COMBINE
ENGINE**

127

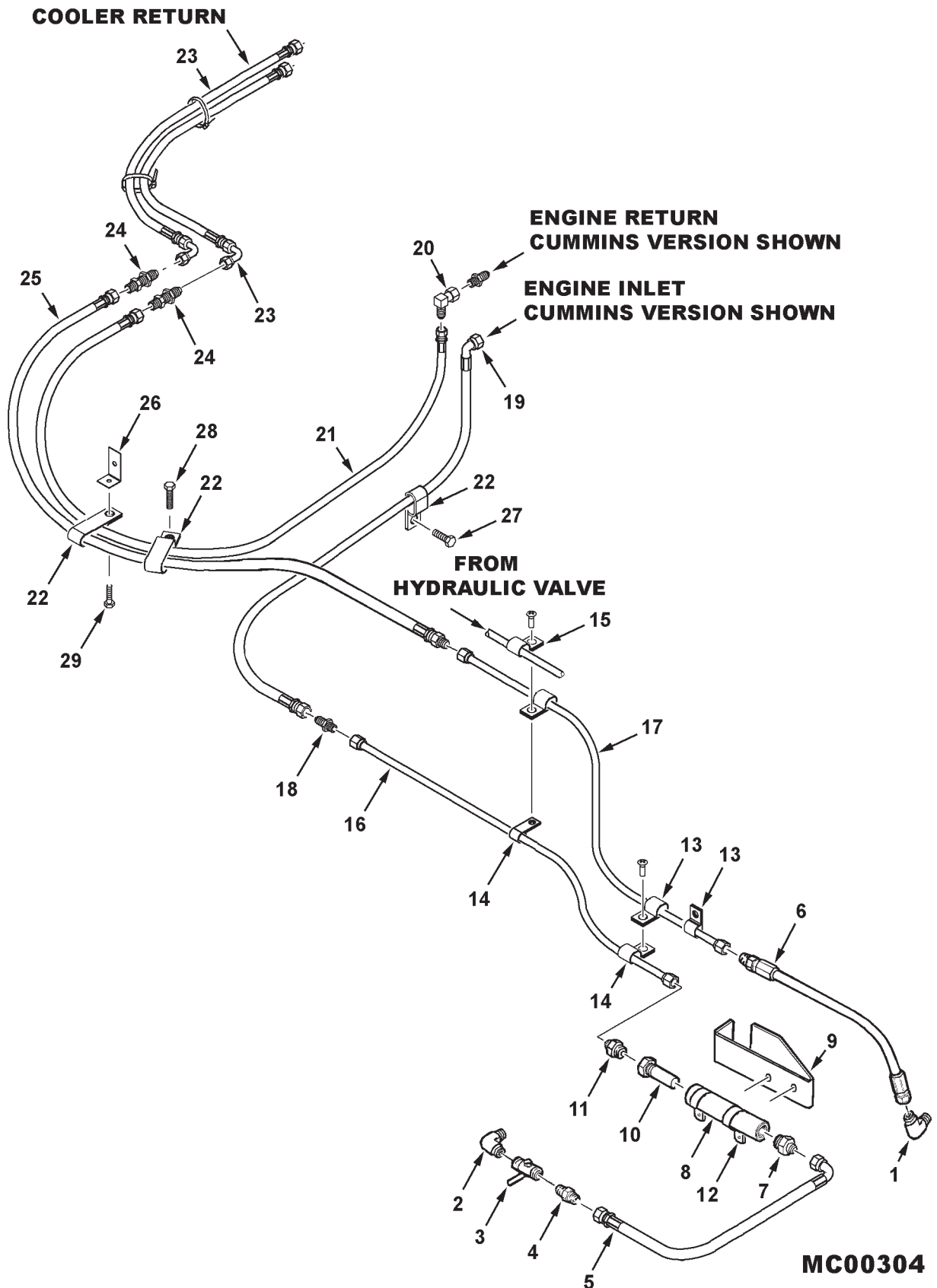
**ROTARY SCREEN
MOTOR & DRIVE**

ITEM	NUMBER	QTY	DESCRIPTION
1	71396755	1	MOTOR, HYDRAULIC (INCL. KEY, NUT & LKWR)
	71396758	AR	SEAL KIT (SOLE SERVICE COMPONENT)
	70910224	1	KEY, WOODRUFF, 5/32 X 5/8 DIA
	7883408	2	SCREW,HEX FLANGE, 3/8-16 X 1-1/4 GR8
	Y705533	2	WASHER, HARD, .406 X .781 X .065
	Y704734	2	NUT, HEX FLANGE TOP LOCK, 3/8-16
2	71395749	1	SHEAVE, DRIVE
	Y705046	1	LOCKWASHER, 1/2 REG
	7704000	1	JAM NUT, 1/2-20 GR2
3	71396756	1	ARM ASY, IDLER
	3728019M1	2	BUSHING
	70914687	1	LUBE FTG, 1/4-28, STRAIGHT
4	8701781	1	SCREW, SOCKET HD, SHOULDER,1/2 X 3/8-16
	705541	2	WASHER, HARD, .531 X 1.03 X .120
	Y704734	1	NUT, HEX FLANGE TOP LOCK, 3/8-16
5	700714064	1	SPRING
	70931277	2	LOCKNUT, SERR FLNG, 5/16-18
	7883333	1	SCREW, HEX WSHR HD, 5/16-18 X 1"
6	70529432	1	IDLER, 2-3/4 DIA, FLAT
	705541	2	WASHER, HARD, .531 X 1.03 X .120
	Y704742	1	NUT, HEX FLANGE TOP LOCK, 1/2-13
	70922645	1	CAPSCREW, 1/2-13 X 2-1/4 GR5
7	71391039	1	SHAFT WLDMT, ROTARY SCREEN
8	71395728	1	PLATE, BEARING
	Y704726	4	NUT, HEX FLANGE TOP LOCK, 5/16-18
	7700461	4	BOLT, RND HD SQ NK, 5/16-18 X 3/4
9	71308951	2	BEARING, BALL, SPHERICAL
10	71133361	4	FLANGE, BEARING
	Y704726	6	NUT, HEX FLANGE TOP LOCK, 5/16-18
	70921332	3	CAPSCREW, 5/16-18 X 3/4 GR5
	7700461	3	BOLT, RND HD SQ NK, 5/16-18 X 3/4
11	71396753	1	SHEAVE, DRIVEN
12	61002	1	KEY, 3/16 SQ X 1"
13	71393636	1	BLADE, WINDMILL
	700717591	7	WASHER, .781 X 1.25 X .125 TH
	70919332	1	LOCKWASHER, 3/4 REG
	353436X1	1	JAM NUT, 3/4-16 GR2
14	360202X91	1	CONNECTOR, 9/16-18 JIC X 3/4-16 ORB
	70921349	1	O-RING, .087 X .644 ID
16	8746018	1	CONNECTOR, 9/16-18 JIC X 7/8-14 ORB
	70921205	1	O-RING, .097 X .755 ID
17	71397634	1	HOSE ASY, HYDRAULIC
18	71397633	1	HOSE ASY, HYDRAULIC
19	700717539	2	ELBOW, 90 D, BLKHD, 9/16-18 JIC MALE
20	71396754	1	BELT-V

MC00294
PR: 50

FUEL LINES

(STRAINER MOUNT AT FUEL TANK)



MC00304

**9790 COMBINE
ENGINE**

129

**FUEL LINES
(STRAINER MOUNT AT FUEL TANK)**

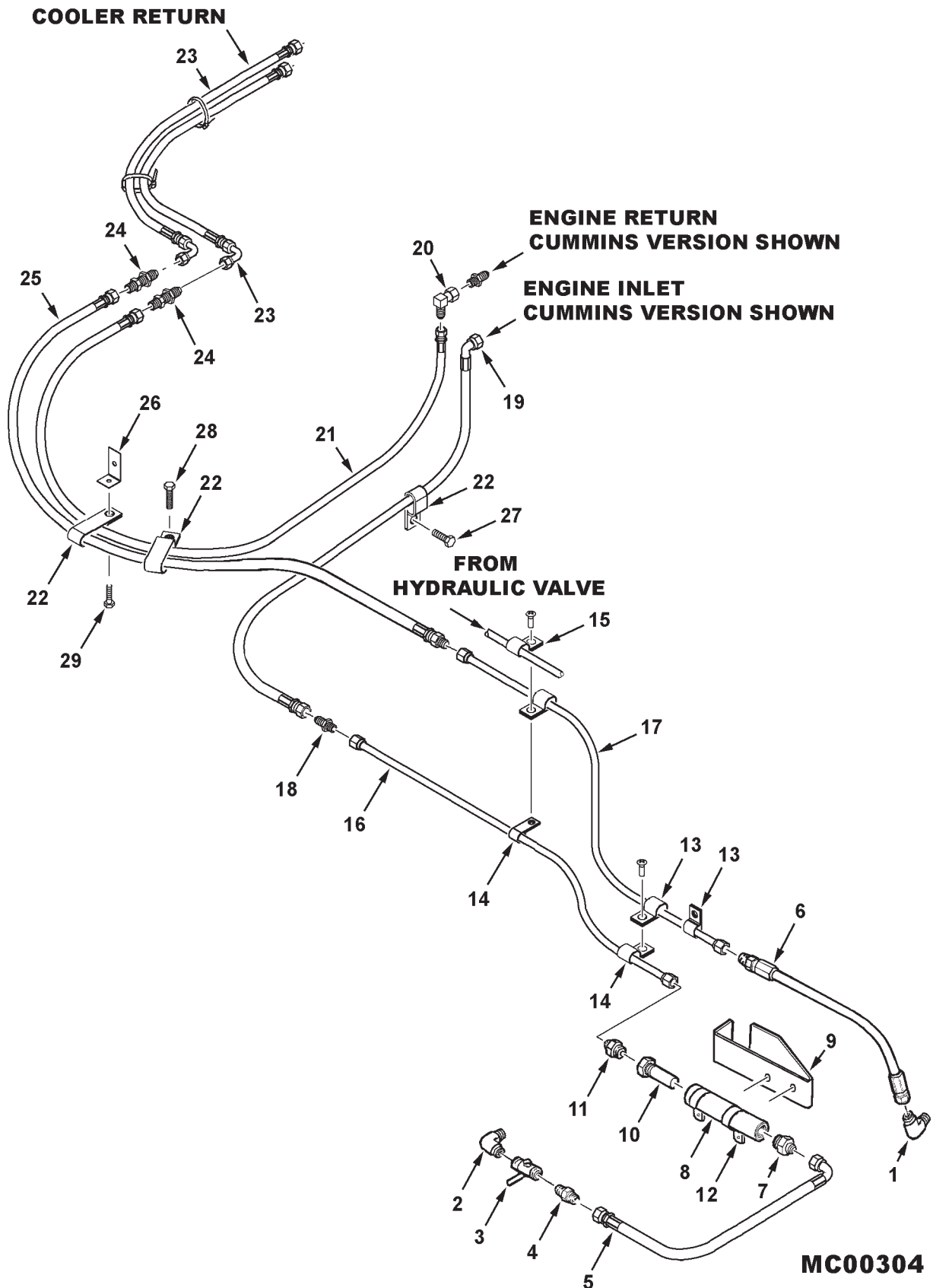
ITEM	NUMBER	QTY	DESCRIPTION
1	70919195	1	ELBOW, 90 DEG, 1/2 NPT X 3/4-16 JIC
2	700701331	1	ELBOW, 90 DEG, 1/2 NPT X 1/2 NPT MALE
3	71368741	1	VALVE, BALL, 1/2 NPT
4	70919472	1	STR CONN, MALE, 1/2 NPT X 7/8-14 JIC
5	71396260	1	HOSE ASY, FUEL SUPPLY, 5/8 X 41"
	70937133	2	TIE, NYLON SELF-LOCK, .30 X 14.5"
6	71396269	1	HOSE ASY, FUEL RETURN, 1/2 X 32"
7	70924022	1	STR CONN, 7/8-14 JIC X 1-5/16-12 ORB
	70921214	1	O-RING, .116 X 1.171 ID
8	71386139	1	BODY, STRAINER
9	71396262	1	BRACKET, FUEL FILTER
	7703457	2	CAPSCREW, 1/4-20 X 3/4 GR5
	704007	2	NUT, 1/4-20, REG
	705012	2	LOCKWASHER, 1/4 REG
	70917377	2	WASHER, 1/4, WIDE
10	71386140	1	STRAINER, FUEL
	70921214	1	O-RING, .116 X 1.171 ID
11	8746430	1	STR CONN, 7/8-14 JIC X 3/4-16 ORB
	70921349	1	O-RING, .087 X .644 ID
12	70936765	2	CLAMP, 1-3/4 ID X .406 HOLE
	7703457	2	CAPSCREW, 1/4-20 X 3/4 GR5
	704007	2	NUT, 1/4-20, REG
	705012	2	LOCKWASHER, 1/4 REG
	70917377	2	WASHER, 1/4, WIDE
13	70925617	3	CLAMP, 1/2 ID X .406 HOLE
	70921977	3	CAPSCREW, 5/16-18 X 1-1/4 GR5
	Y705608	4	WASHER, 5/16, NARR.
	70917372	3	NUT, 5/16-18, REG
	70917356	3	LOCKWASHER, 5/16 REG
14	70928656	2	CLAMP, 5/8 ID X .406 HOLE
15	70926049	1	CLAMP, 3/4 ID X .406 HOLE
	318618P	1	SPACER, 1/2 OD X .50 LG
16	71396263	1	TUBE ASY, FUEL SUPPLY
17	71391234	1	TUBE ASY, FUEL RETURN
18	70921368	1	UNION, 7/8-14 JIC, MALE
19	71388071	1	HOSE ASY, 5/8 X 70" (PRIOR S/N HR36101)
	71406624	1	HOSE ASY, 3/8 X 88" (EFF. S/N HR36101)
	70929402	1	CLAMP, WORM DR. .22-.63 GRIP
20	70921279	1	ELBOW, 90 DEG SWIV, 3/4-16 JIC (PRIOR S/N HR36101)

CONTINUED

MC00304
PR: 52

FUEL LINES

(STRAINER MOUNT AT FUEL TANK)



**9790 COMBINE
ENGINE**

131

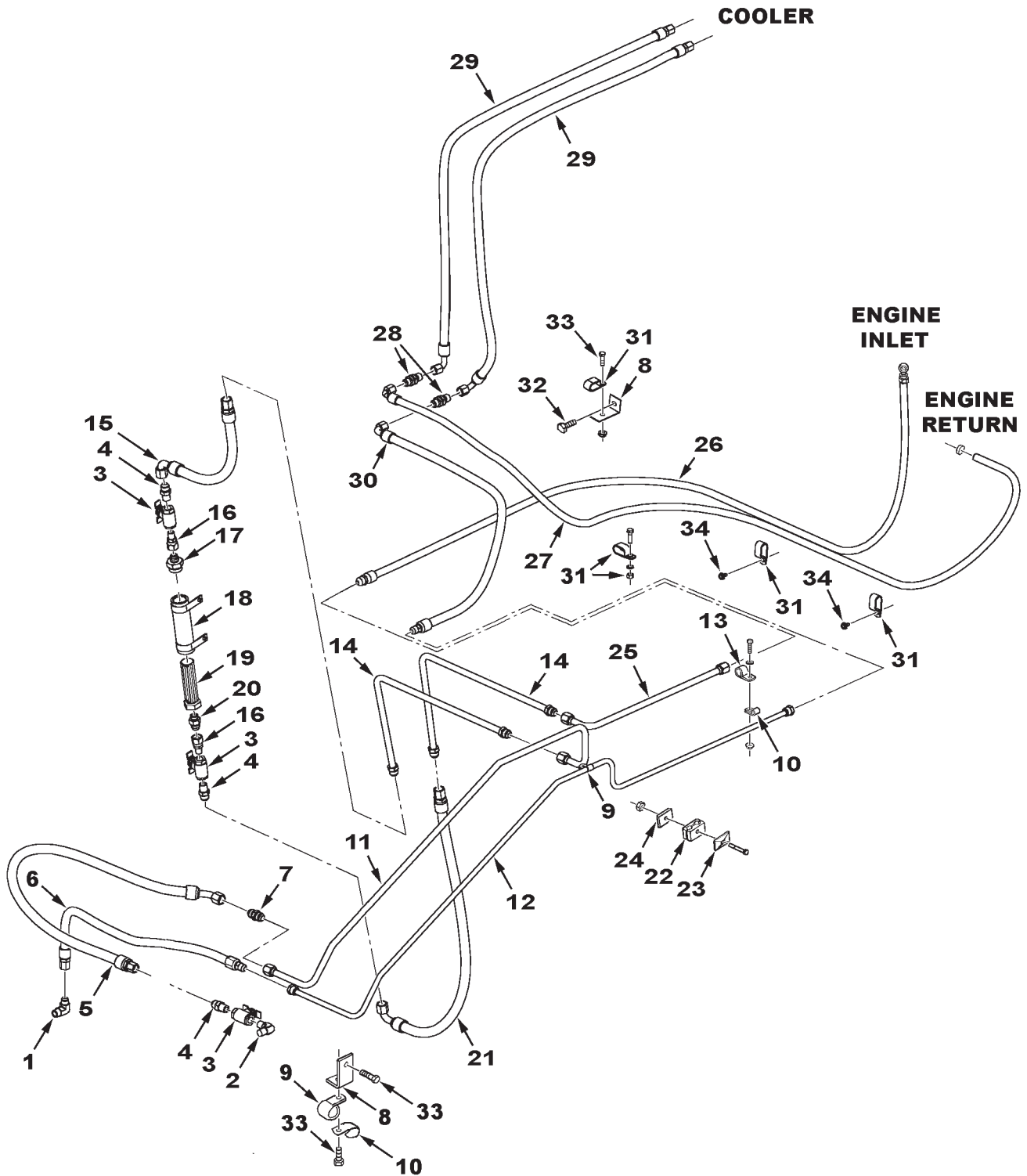
**FUEL LINES
(STRAINER MOUNT AT FUEL TANK)**

ITEM	NUMBER	QTY	DESCRIPTION
21	71388072	1	HOSE ASY, 1/2 X 88" (PRIOR S/N HR36101)
	71406623	1	HOSE ASY, 3/8 X 95" (EFF. S/N HR36101)
22	70929402	1	CLAMP, WORM DR. .22-.63 GRIP
	70936473	4	CLAMP, 7/8 DBL X .406 HOLE (PRIOR S/N HR36101)
23	70928148	4	CLAMP, 3/4 DBL X .406 (EFF. S/N HR36101)
	71388073	2	HOSE ASY, 1/2 X 69"
24	70937133	4	TIE, NYLON SELF-LOCK, .30 X 14.5"
	70927261	2	UNION, BULKHEAD, 3/4-16 JIC
25	71393847	1	HOSE ASY, 1/2 X 40"
26	112678W1	1	ANGLE, SUPPORT
	Y705608	1	WASHER, 5/16, NARR.
27	70921332	1	CAPSCREW, 5/16-18 X 3/4 GR5
	70931822	2	SCREW, HEX WSHR HD TAPPG, 5/16-12 X 3/4
28	70920415	1	CAPSCREW, 3/8-16 X 1-1/4
	705038	1	LOCKWASHER, 3/8 REG
29	70916950	1	NUT, 3/8 REG
	703249	1	CAPSCREW, 3/8-16 X 1" GR5
	Y704734	1	NUT, HEX FLANGE TOP LOCK, 3/8-16

MC00304
PR: 52

FUEL LINES

(EFF. S/N HR36- STRAINER MOUNT ON ELEV.)



**9790 COMBINE
ENGINE**

133

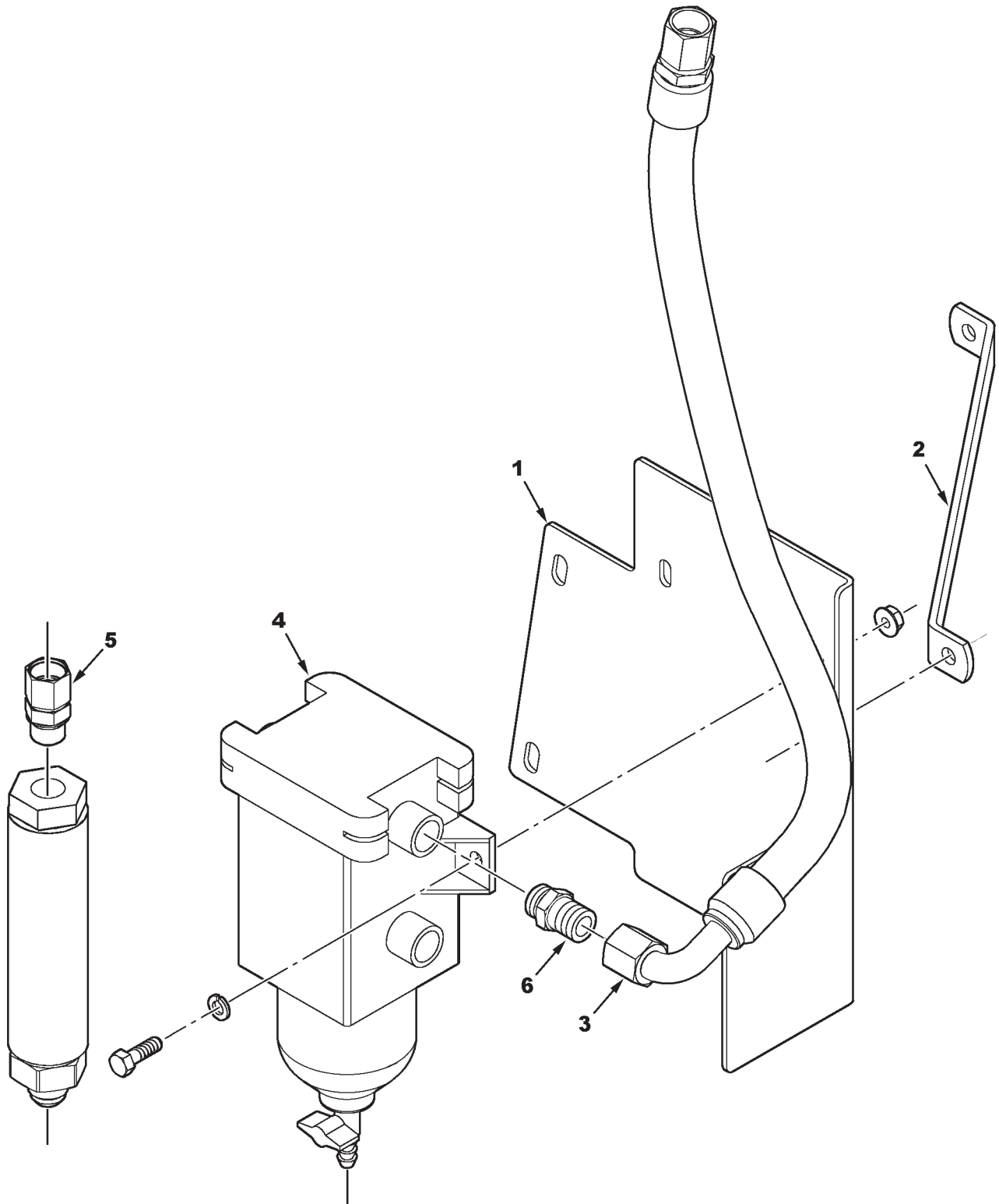
**FUEL LINES
(EFF. S/N HR36- STRAINER MOUNT ON ELEV.)**

ITEM	NUMBER	QTY	DESCRIPTION
1	70919195	1	ELBOW, 90 DEG, 1/2 NPT X 3/4-16 JIC
2	700701331	1	ELBOW, 90 DEG, 1/2 NPT X 1/2 NPT MALE
3	71368741	1	VALVE, BALL, 1/2 NPT
4	70919472	1	STR CONN, MALE, 1/2 NPT X 7/8-14 JIC
5	71396260	1	HOSE ASY, FUEL SUPPLY, 5/8 X 41"
	70937133	2	TIE, NYLON SELF-LOCK, .30 X 14.5
6	71396269	1	HOSE ASY, FUEL RETURN, 1/2 X 32"
7	70921368	1	UNION, MALE, 7/8-14 JIC
8	112678W1	2	ANGLE, SUPPORT
9	70928656	2	CLAMP, LINE, 5/8 ID X .406 HOLE
	70921977	1	CAPSCREW, 5/16-18 X 1-1/4 GR5
	Y705608	1	WASHER, 5/16, NARR.
	Y704726	1	NUT, HEX FLANGE TOP LOCK, 5/16-18
10	70925617	3	CLAMP, 1/2 ID X .406 HOLE
11	71405985	1	TUBE ASY, FUEL SUPPLY
12	71391234	1	TUBE ASY, FUEL RETURN
13	70926049	1	CLAMP, 3/4 ID X .406 HOLE
	318618P	1	SPACER, 1/2 OD X .50 LG
	70921977	1	CAPSCREW, 5/16-18 X 1-1/4 GR5
	Y705608	1	WASHER, 5/16, NARR.
	Y704726	1	NUT, HEX FLANGE TOP LOCK, 5/16-18
14	71405983	2	TUBE ASY, FUEL SUPPLY
15	71412267	1	HOSE ASY, FUEL SUPPLY, 5/8 ID
16	70937498	2	ADAPTER, SWIVEL, 1/2 NPTF X 7/8-14 JIC
17	70924022	1	STR CONN, 7/8-14 JIC X 1-5/16-12 ORB
	70921214	1	O-RING, .116 X 1.171 ID
18	71386139	1	BODY, STRAINER
19	71386140	1	STRAINER, FUEL
	70921214	1	O-RING, .116 X 1.171 ID
20	8746430	1	STR CONN, 7/8-14 JIC X 3/4-16 ORB
	70921349	1	O-RING, .087 X .644 ID
21	71412266	1	HOSE ASY, FUEL SUPPLY, 5/8 ID
22	148203M1	1	CLAMP PAIR, DOUBLE, 5/8 DIA
23	101646M1	1	COVER PLATE, CLAMP
24	71404450	1	SPACER PLATE
	70921160	1	CAPSCREW, 5/16-18 X 2-1/4 GR5
	Y704726	1	NUT, HEX FLANGE TOP LOCK, 5/16-18
25	71405984	1	TUBE ASY, FUEL SUPPLY
26	71406624	1	HOSE ASY, FUEL SUPPLY, 3/8 ID X 88"
	70929402	1	CLAMP, WORM DRIVE, .22-.63 DIA
27	71406623	1	HOSE ASY, FUEL RETURN, 3/8 ID X 95"
	70929402	1	CLAMP, WORM DRIVE, .22-.63 DIA
28	70927261	2	UNION, BULKHEAD, 3/4-16 JIC
29	71388073	2	HOSE ASY, FUEL COOLER, 1/2 X 69"
	70937133	4	TIE, NYLON SELF-LOCK, .30 X 14.5
30	71393847	1	HOSE ASY, FUEL RETURN, 1/2 X 40"
31	70928148	4	CLAMP, DOUBLE LINE, 3/4 DIA X .406 HOLE
	70920415	1	CAPSCREW, 3/8-16 X 1-1/4 GR5
	70916965	1	LOCKWASHER, 3/8 REG
	70916950	1	NUT, 3/8 REG
32	70921332	1	CAPSCREW, 5/16-18 X 3/4 GR5
	Y705608	1	WASHER, 5/16, NARR.
33	70921210	1	CAPSCREW, 3/8-16 X 1" GR5
	Y704734	1	NUT, HEX FLANGE TOP LOCK, 3/8-16
34	70931822	2	SCREW, HEX WSHR HD TAPPG, 5/16-12 X 3/4

MC00437

PR: t06d19k48d0002

FUEL FILTER OPTION
(EFF. S/N HR36- STRAINER MOUNT ON ELEV.)



9790 COMBINE
ENGINE

135

FUEL FILTER OPTION
(EFF. S/N HR36- STRAINER MOUNT ON ELEV.)

ITEM	NUMBER	QTY	DESCRIPTION
-	71411664	AR	KIT, FUEL FILTER (INCL. FOLLOWING) (ORDER THRU DEALER CENTRAL)
1	71410646	1	SUPPORT BRKT, FUEL FILTER
2	71406619	1	BRACE STRAP, FUEL FILTER
	70921210	2	CAPSCREW, 3/8-16 X 1 GR5
	Y704734	2	NUT, HEX FLANGE TOP LOCK, 3/8-16
3	71410648	2	HOSE ASY, 5/8 ID X 26.8 LG
4	71410649	1	FILTER ASY, FUEL (INCL. FOLLOWING SERVICE ITEMS)
	71412027	1	FILTER ELEMENT
	71412030	1	CLEAR BOWL
	71412029	1	GASKET, BOWL
	71412031	1	LID
	71412028	1	GASKET, LID
	70921333	2	CAPSCREW, 5/16-18 X 1 GR5
	Y704726	2	NUT, HEX FLANGE TOP LOCK, 5/16-18
	70917642	2	WASHER, 5/16, WIDE
5	700713219	1	ADAPTER, SWIVEL 3/4-16 FEM JIC X MALE ORB
	70921349	1	O-RING, .087 X .644 ID
6	70933454	2	CONNECTOR, STR, 1/2 NPTF X 3/4-16 ORB
	70921349	1	O-RING, .087 X .644 ID

MC00438

PR: t06d19k48d0003

FUEL FILTER & LINES KIT
(EAST EUROPE)(PRIOR MID-PRODN S/N HR36-)

**ILLUSTRATION NOT
AVAILABLE**

XXXXXXXX

**9790 COMBINE
ENGINE**

137

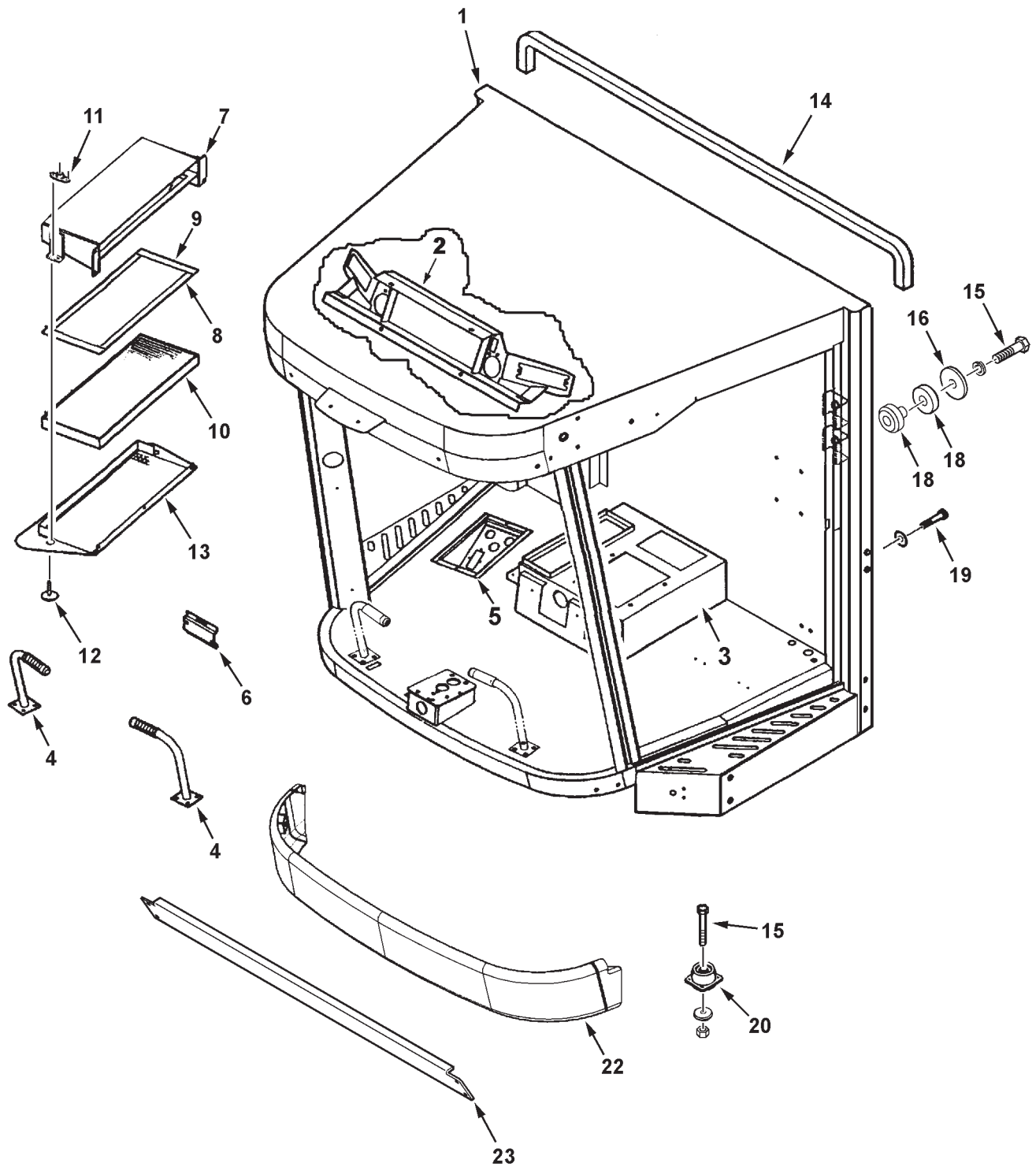
**FUEL FILTER & LINES KIT
(EAST EUROPE)(PRIOR MID-PRODN S/N HR36-)**

ITEM	NUMBER	QTY	DESCRIPTION
-	71408198	AR	KIT, FUEL FILTER (INCL. FOLLOWING)
1	71410649	1	FILTER ASY, FUEL (INCL. FOLLOWING SERVICE ITEMS)
	71412027	1	FILTER ELEMENT
	71412030	1	CLEAR BOWL
	71412029	1	GASKET, BOWL
	71412031	1	LID
	71412028	1	GASKET, LID
2	71410646	1	SUPPORT BRKT, FUEL FILTER
3	71406619	1	BRACE STRAP, FUEL FILTER
4	71368741	1	VALVE, BALL, 1/2 NPT
5	71405984	1	TUBE ASY, FUEL SUPPLY
6	71405985	1	TUBE ASY, FUEL SUPPLY
7	71405983	1	TUBE ASY, FUEL SUPPLY
8	71410648	2	HOSE ASY, 5/8 ID X 26.8 LG
10	71404450	1	SPACER PLATE
11	70933454	2	CONNECTOR, STR, 1/2 NPTF X 3/4-16 ORB
12	70919472	2	CONNECTOR, STR, 1/2 NPTF X 7/8-14 JIC
13	148203M1	1	CLAMP PAIR, DOUBLE, 5/8 DIA
14	101646M1	1	COVER PLATE, CLAMP
15	70921160	1	CAPSCREW, 5/16-18 X 2-1/4 GR5
16	70921333	2	CAPSCREW, 5/16-18 X 1 GR5
17	Y704726	3	NUT, HEX FLANGE TOP LOCK, 5/16-18
18	70917642	2	WASHER, 5/16, WIDE
19	70921210	2	CAPSCREW, 3/8-16 X 1 GR5
20	Y704734	2	NUT, HEX FLANGE TOP LOCK, 3/8-16

REFER TO INSTALLATION INSTRUCTIONS
NO. 71410650 FOR PICTORIAL VIEWS.

XXXXXXX
PR: t05109o11c0021

FRAME & MOUNTING



**9790 COMBINE
CAB**

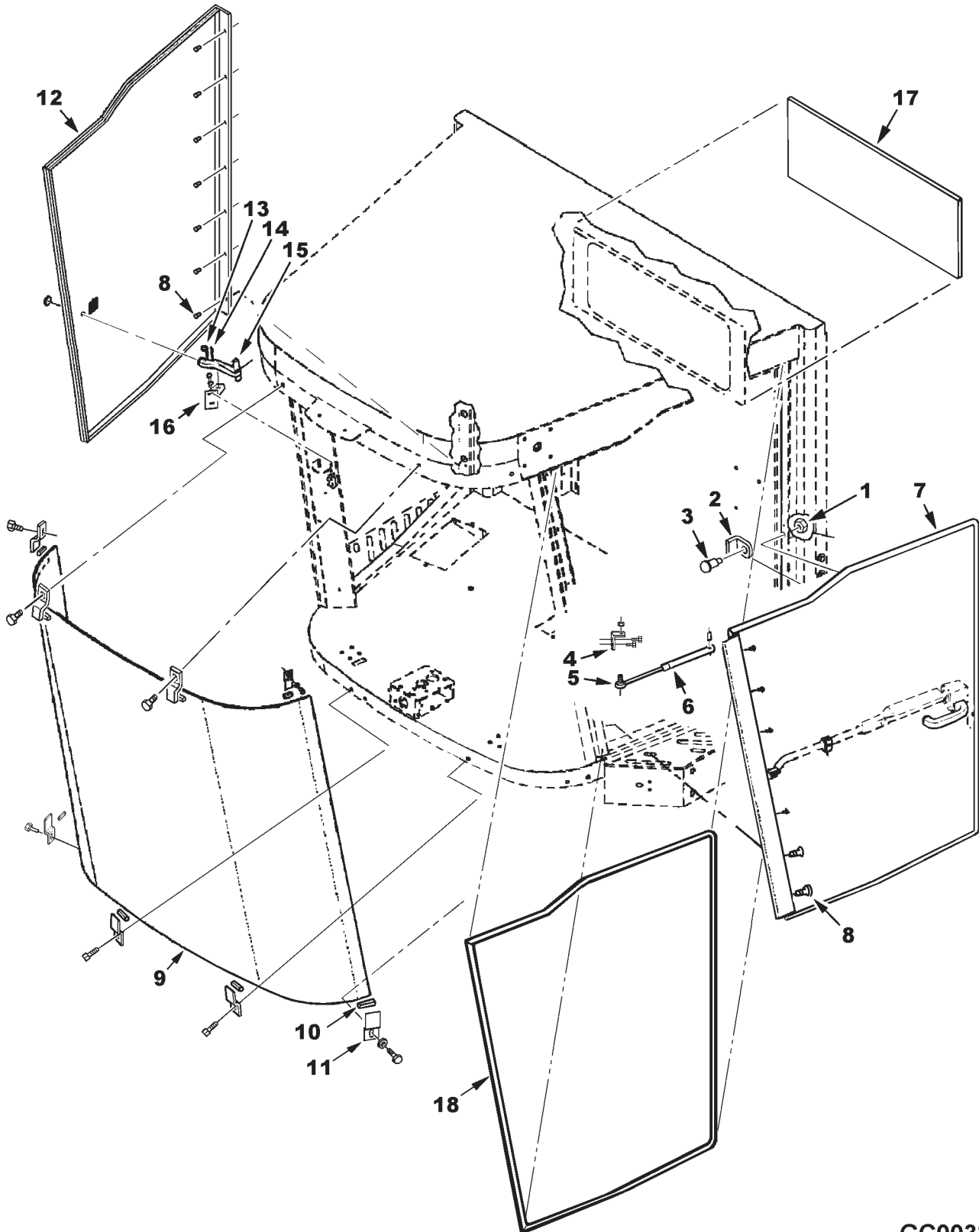
139

FRAME & MOUNTING

ITEM	NUMBER	QTY	DESCRIPTION
1	71387152	1	CAB WELDMT (PRIOR S/N HM36101, MID-YEAR)
	-----	1	CAB WELDMT (EFF. S/N HM36101, MID-YEAR) (SERVICE W/ 71406753)
	71406753	1	CAB WELDMT (EFF. S/N HP36101)
	700718515	AR	INSERT, THREADED 5/16-18
	700725632	AR	INSERT, THREADED 3/8-16
	700725634	AR	INSERT, THREADED 3/8-16
	700725633	AR	INSERT, THREADED 1/4-20
	71391713	AR	INSERT, THREADED #8-32
2	71388167	1	SUPPORT WLDMT, E.I.P.
	Y703132	4	CAPSCREW, 5/16-18 X 3/4
	700718515	4	INSERT, THREADED 5/16-18
	700725633	8	INSERT, THREADED 1/4-20
3	71388189	1	BASE, SEAT (PRIOR S/N HM36101, MID-YEAR)
4	71387185	1	FOOTREST, RH
	71387186	1	FOOTREST, LH
	71396276	2	GRIP, FOOTREST
	70920415	8	CAPSCREW, 3/8-16 X 1-1/4
	700725632	8	INSERT, THREADED 3/8-16
5	71391726	1	BOX, ELECTRICAL BLKHD (PRIOR S/N HM36101 MID-YEAR)
6	71394525	1	MOUNT, FUSE BLOCK
	7703457	4	CAPSCREW, 1/4-20 X 3/4
	705707	2	WASHER, 1/4
	700725633	5	INSERT, THREADED 1/4-20
7	71393307	1	SUPPORT WLDMT, FILTER
	Y703132	4	CAPSCREW, 5/16-18 X 3/4
	700718515	4	INSERT, THREADED 5/16-18
8	71362390	2	SEAL, FILTER (LONG)
9	71362391	2	SEAL, FILTER (SHORT)
10	71393893	1	ELEMENT, AIR FILTER
11	700714529	2	RECEPTACLE
	772426	4	SCREW, HEX WSHR HD, #10-24 X 5/8
	705004	4	LOCKWASHER, #10
	Y704072	4	HEX NUT, #10-24
12	700714528	2	LATCH, 90 DEG TURN
13	71400635	1	DOOR WLDMT, FILTER
	706432	3	SCREW, PAN HEAD MACH, 5/16-18 X 1
14	71398171	1	SEAL, CAB
15	70925704	4	CAPSCREW, 5/8-11 X 4-1/2 GR5
	70917373	4	LOCKWASHER, 5/8
16	70927122	2	WASHER, .781 X 2.50 X .25
18	71342768	2	ISOLATOR MOUNT, CAB
19	70922664	2	CAPSCREW, 5/8-11 X 2 GR5
	705632	2	WASHER, 5/8 NARROW
20	71401533	2	MOUNT, CAB
	70932665	2	NUT, 5/8-11 REG
	703249	8	CAPSCREW, 3/8-16 X 1.0
	705038	8	LOCKWASHER, 3/8
	70916950	8	HEX NUT, 3/8-16
22	71387292	1	VALANCE ASY.
	7771371	4	SCREW, HEX FLNG SERR 5/16-18 X 1-1/4
	6131916	4	BUSHING, 3/4 OD X .55 LG
	700718515	4	INSERT, THREADED, 5/16-18
23	71395255	1	CROSS BRACE, CAB SUPPORT
	68619	4	BOLT, RD HD SQ NK, 1/2-13 X 1-1/4
	Y704742	4	NUT, HEX FLNG, TOP LOCK, 1/2-13
-	700704010	AR	SEALANT, SILICONE (BLACK)

MC00280
PR: 54

WINDOWS AND DOORS



**9790 COMBINE
CAB**

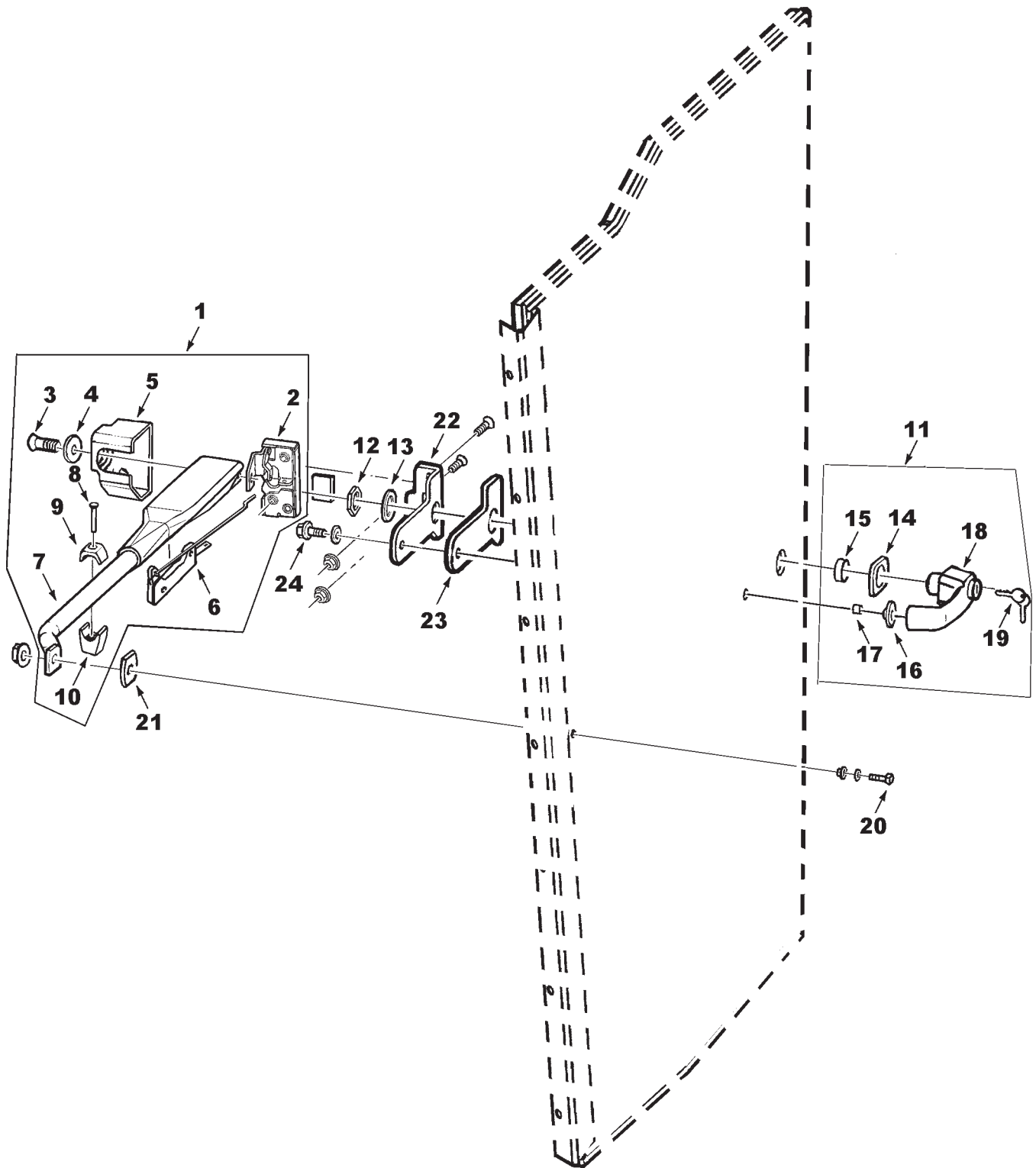
141

WINDOWS AND DOORS

ITEM	NUMBER	QTY	DESCRIPTION
1	71394502	1	NUT, STRIKER
2	71394503	1	GUARD, STRIKER
3	71394501	1	STRIKER, BOLT
4	71394523	1	BRACKET, GAS SPRING
	70937660	2	SCREW, PAN HD TAPPING, 1/4-20 X 5/8
5	71339847	1	STUD, BALL
	Y704726	1	NUT, HEX FLANGE TOP LOCK, 5/16-18
6	700715277	1	SPRING, GAS
	700715278	2	RETAINER, CLIP
7	71391897	1	GLASS DOOR ASY. LH (INCL HANDLES)
	71393885	1	GLASS, GASKET & HINGE ASY, LH DOOR
	71391899	1	GASKET, DOOR LH
8	70937660	14	SCREW, PAN HD, TAPTITE, 1/4-20 X 5/8
9	71391851	1	WINDSHIELD
	71370508	AR	PRIMER, GLASS ADHESIVE
	72506489	AR	ADHESIVE, GLASS
10	700715285	8	PAD, RUBBER
11	71387195	8	CLIP, WINDSHIELD
	70921332	8	CAPSCREW, 5/16-18 X 3/4
	70917642	8	WASHER, 5/16
12	71407657	1	GLASS DOOR & HINGE ASY. (INCL. DECAL)
	71391899	1	GASKET, DOOR RH
	71389158	1	DECAL, EMERGENCY EXIT
13	70934892	1	PIN, CLEVIS GRAB
14	70921291	1	PIN, SPRING, 3/16 X 5/8
15	71364349	1	LATCH, WINDOW, W/O PIN
	700718245	2	O-RING, .094 X .50 ID. NITRILE
16	71407659	1	BRACKET WLMT, LATCH
	70937660	2	SCREW, PAN HD, TAPTITE, 1/4-20 X 5/8
17	71387266	1	GLASS, REAR WINDOW
18	71401715	1	SEAL, FOAM RUBBER, DOOR FRAME

GC00322
PR: 56

LH DOOR
INTERIOR & EXTERIOR HANDLES



**9790 COMBINE
CAB**

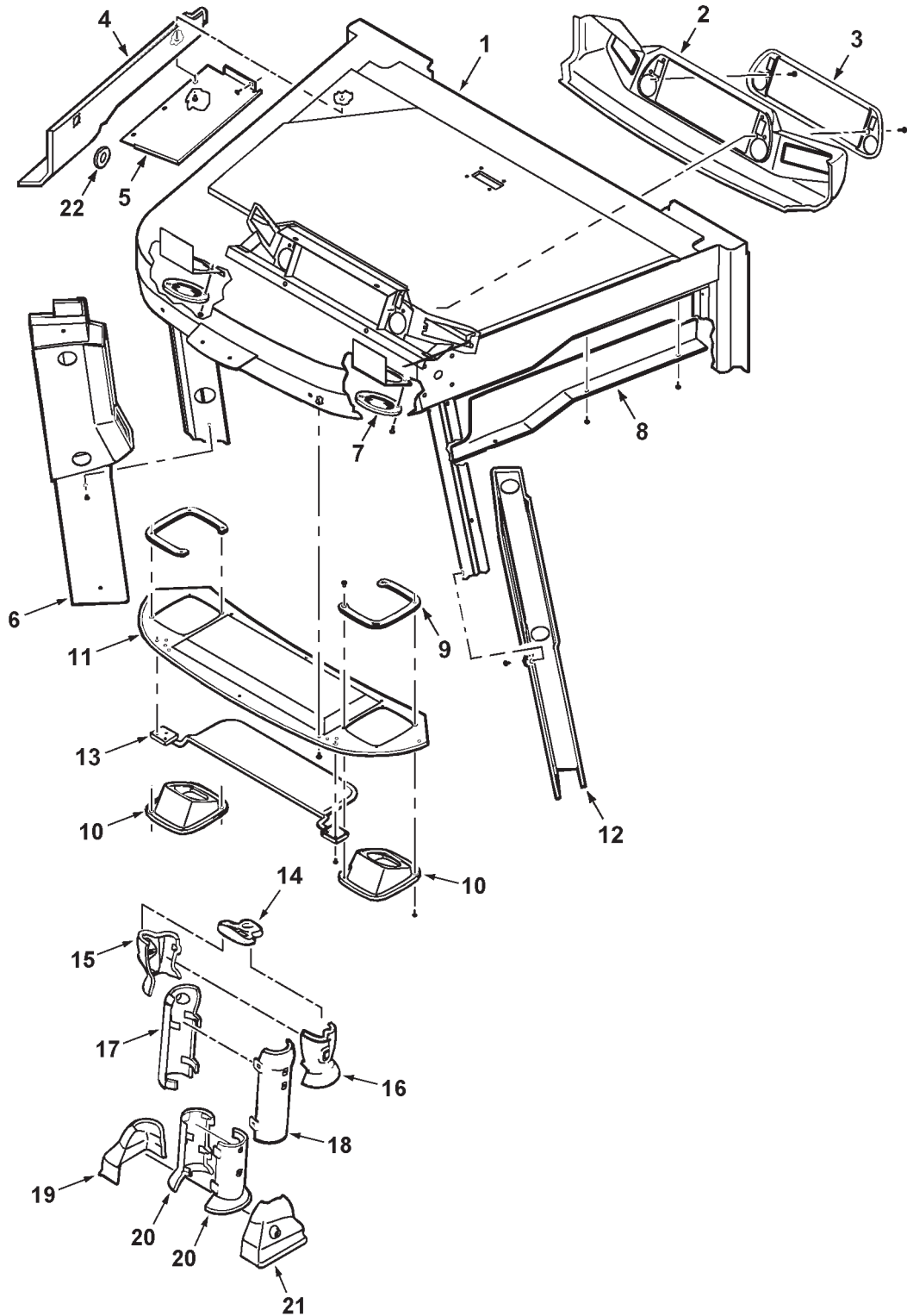
143

**LH DOOR
INTERIOR & EXTERIOR HANDLES**

ITEM	NUMBER	QTY	DESCRIPTION
1	71393881	1	DOOR HANDLE ASY, INNER (INCL ITEMS 2-10)
2	71393879	1	LATCH, DOOR, DOUBLE ROTOR
3	71394791	1	SCREW, INNER DOOR HANDLE
4	705012	1	WASHER, LOCK 1/4
5	71393878	1	COVER, INNER HANDLE
6	71394792	1	HANDLE, INNER RELEASE
7	-----	1	TUBE ASY, ARMREST (ORDER ITEM 1)
8	71393888	1	SCREW, HEX SOCKET, FLAT HD, M6 X 40
9	71393887	1	MOUNT, GAS SPRING UPPER
10	71393886	1	MOUNT, GAS SPRING LOWER
11	71393876	1	DOOR HANDLE ASY, EXT (INCL ITEMS 12-19)
12	71393469	1	NUT, EXTERIOR HANDLE
13	71393470	1	WASHER, EXT. HANDLE
14	71393471	1	GASKET, EXT. HANDLE (LARGE)
15	71393473	1	BUSHING
16	71393472	1	GASKET, EXT. HANDLE (SMALL)
17	71393468	1	BUSHING
18	71393475	1	HANDLE, EXTERIOR
19	71393474	AR	KEY, DOOR
20	372536X1	1	SCREW, MACH. HEX WSHR HD, 1/4-20 X 1.0
	705707	2	WASHER, 1/4
	72161999	1	SPACER
	1703354	1	LOCKNUT, HEX FLANGE TOP 1/4-20
21	71393883	1	GASKET
22	71391518	1	BRACKET, DOOR LATCH
	Y772129	2	SCR,HEX SKT FLAT HD, 5/16-18 X 1-3/4
	70931277	2	NUT, HEX FLANGE, SERRATED, 5/16-18
23	71391519	1	GASKET
24	339666X1	1	CAPSCREW, M6-1 X 16
	705707	1	WASHER, 1/4

GC00323
PR: 58

INTERIOR COVERINGS & TRIM
UPPER AND FRONT



**9790 COMBINE
CAB**

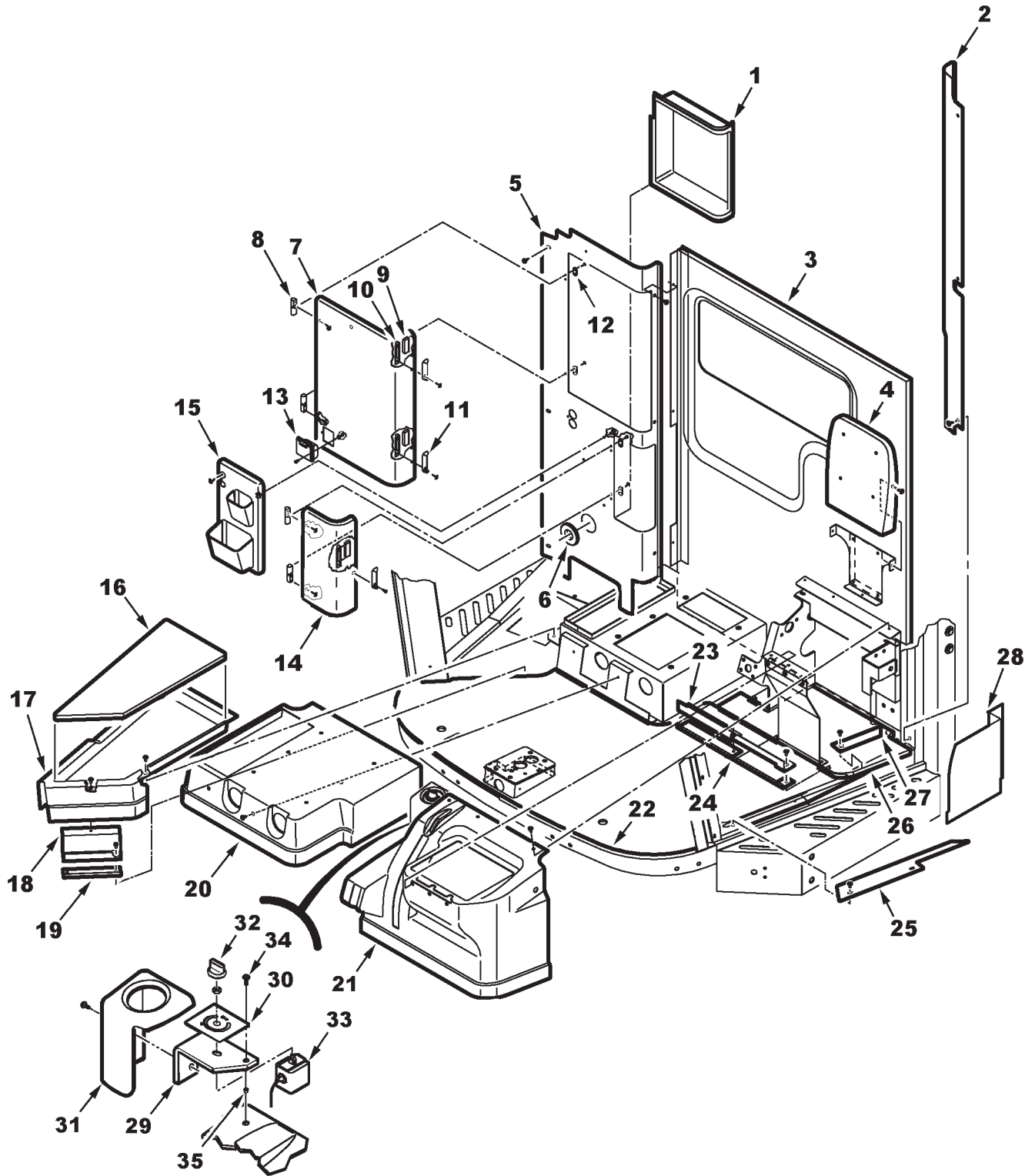
145

**INTERIOR COVERINGS & TRIM
UPPER AND FRONT**

ITEM	NUMBER	QTY	DESCRIPTION
1	71391747	1	HEADLINER, REAR
2	71393601	1	SURROUND, ELECT. INSTRUMENT PANEL
3	71388136	1	BEZEL, ELECT. INSTRUMENT PANEL
	70937730	2	SCREW,PAN HD TAPPING, 1/4-20 X 1-1/4
4	71393605	1	TRIM, HEADER, RH (PRIOR S/N HR36101)
	71409583	1	TRIM, HEADER, RH (EFF. S/N HR36101)
	70937660	4	SCREW, PAN HD TAPPING, 1/4-20 X 5/8
	70927401	4	CAPSCREW, 1/4-20 X 1
	705012	4	LOCKWASHER, 1/4
	700709601	4	WASHER, 1/4 WIDE
5	71394878	1	PLATE, ACCESSORY MNT (PRIOR S/N HR36101)
	71410958	1	PLATE, ACCESSORY MOUNT (EFF S/N HR36101)
	70937660	4	SCREW, PAN HD TAPPING, 1/4-20 X 5/8
6	71398809	1	COVER, B-PILLER (RH)
	70937660	6	SCREW, PAN HD TAPPING, 1/4-20 X 5/8
7	71393940	2	GRILLE, SPEAKER
8	71393604	1	TRIM, HEADER (LH)
	70937660	3	SCREW, PAN HD TAPPING, 1/4-20 X 5/8
9	71395767	2	PLATE, SPEAKER HSG. RETAINER
	70937280	8	SCREW, PAN HD TAPPING, #8-32 X 3/4
10	71391158	2	HOUSING, SPEAKER TRIM
	70937280	8	SCREW, PAN HD TAPPING, #8-32 X 3/4
11	71391746	1	HEADLINER, FRONT
12	71398808	1	COVER, B-PILLER (LH)
	70937660	6	SCREW, PAN HD TAPPING, 1/4-20 X 5/8
13	71391172	1	SUNVISOR
	70936592	6	SCREW, PAN HD. TAPPING #10-16 X 3/4
14	71394514	1	COVER, TOP
	70937280	2	SCREW, PAN HD TAPPING, #8-32 X 3/4
15	71394515	1	COVER, UPPER (RH)
	71407653	2	SCREW, PAN HD. MACH., M5 X 16
	71393926	1	WELLNUT, #8-32
16	71394516	1	COVER, UPPER (LH)
	71407653	2	SCREW, PAN HD. MACH., M5 X 16
	71393926	1	WELLNUT, #8-32
17	71394517	1	COVER, LOWER (RH)
	71407653	2	SCREW, PAN HD. MACH., M5 X 16
18	71394518	1	COVER, LOWER (LH)
	71407653	2	SCREW, PAN HD. MACH., M5 X 16
19	71394521	1	COVER, BOTTOM (RH)
	70930611	2	SCREW, PAN HD. MACH. #10-24 X 3/8
20	71394519	2	COVER, MID
	71407653	4	SCREW, PAN HD. MACH., M5 X 16
21	71394522	1	COVER, BOTTOM (LH)
	70930611	2	SCREW, PAN HD. MACH. #10-24 X 3/8
22	71409584	1	GROMMET, 1 ID X 1.87 DIA PANEL HOLE (EFF. S/N HR36101)

GC00457
PR: 60

INTERIOR COVERINGS & TRIM
LOWER AND REAR



**9790 COMBINE
CAB**

147

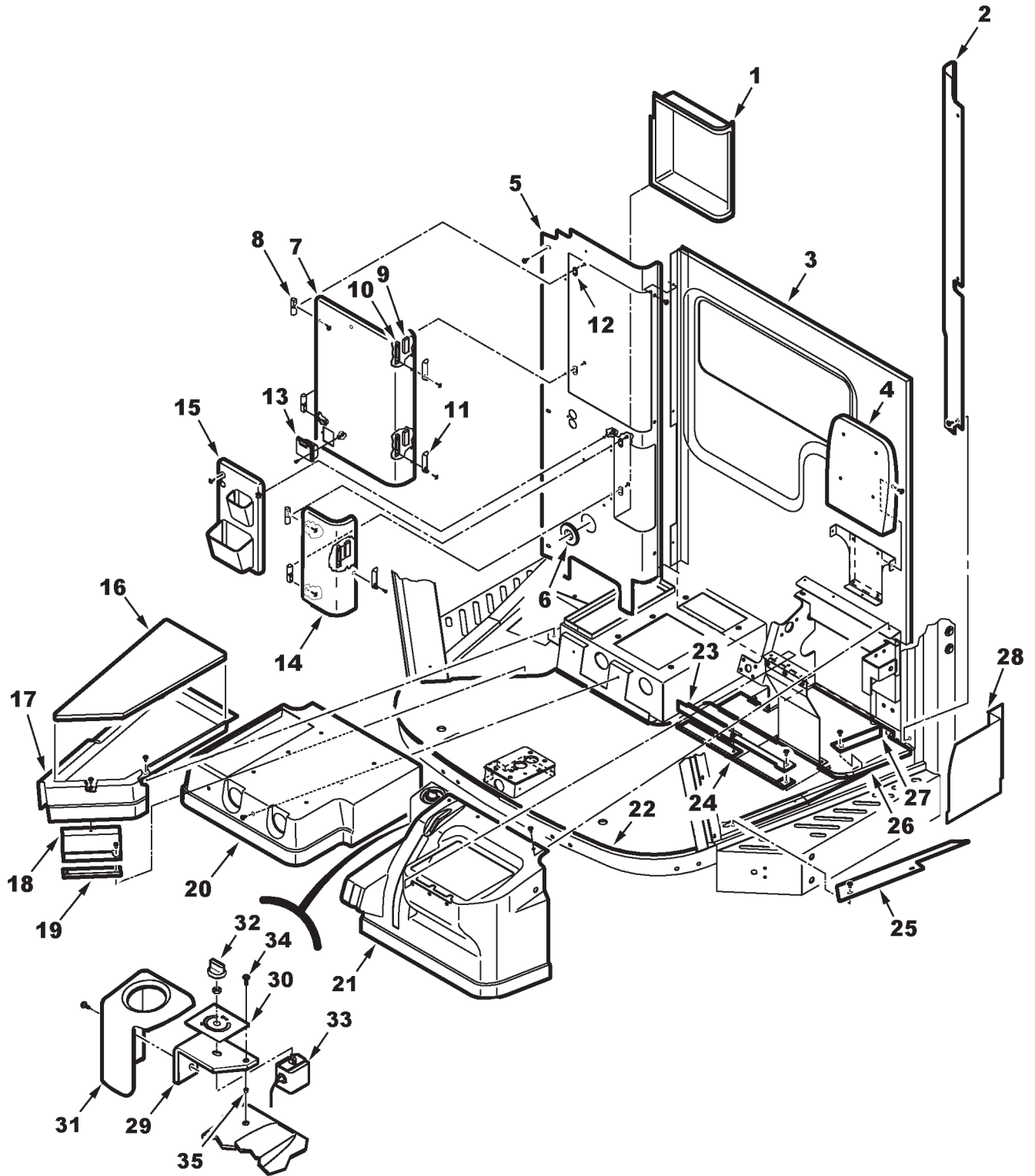
**INTERIOR COVERINGS & TRIM
LOWER AND REAR**

ITEM	NUMBER	QTY	DESCRIPTION
1	71393941	1	BOX, MANUAL HOLDER
	71395769	AR	PRIMER, PLASTIC
	72506489	AR	ADHESIVE, URETHANE
2	71394877	1	PANEL, TRIM (LH)
	70937660	3	SCREW, SELF TAPPING, 1/4-20 X 5/8
3	71391748	1	BACKLINER ASY.
	72506489	AR	ADHESIVE, URETHANE
4	71394893	1	SUPPORT, BACKREST
	70937660	3	SCREW, SELF TAPPING, 1/4-20 X 5/8
5	71406877	1	PANEL, ELECT. CABINET
	70937660	3	SCREW, SELF TAPPING, 1/4-20 X 5/8
6	71394884	1	GROMMET
7	71395768	1	DOOR ASY, FUSE PNL (SERVICED W/71400502 DOOR ASY, 71400504 ASH TRAY & SCREWS)
	71400502	1	DOOR ASY, FUSE PNL (EFF. S/N HM87---)
	71395760	1	DECAL, FUSE LABEL (INSIDE OF DOOR) (PRIOR S/N HN36101)
	700723598	1	DECAL, FUSE LABEL (EFF. HN36101-HR36999)
	700730037	1	DECAL, FUSE LABEL (EFF. S/N HS36101)
8	71393944	4	HINGE ASY.
	70930611	8	SCREW, PAN HD. MACH. #10-24 X 3/8
9	72505639	3	LATCH, MAGNETIC
10	71394879	3	PLATE, LATCH MOUNTING
11	71393947	3	PULL, CABINET DOOR
	70937263	6	SCREW, SELF TAPPING #10-16 X 1/2
12	71394885	4	SHIM
	70930611	8	SCREW, PAN HD. MACH. #10-24 X 3/8
13	72502796	1	ASH TRAY (PRIOR TO S/N HM87---)(USED W/ 71395768 DOOR ASY)
	700707619	2	SCREW, PAN HD. MACH. #6-32 X 1/2
	195441M1	2	LOCKWASHER, #6
	704551	2	HEXNUT, #6-32
	71400504	1	ASH TRAY (EFF S/N HM87---)(USED W/ 71400502 DOOR ASY, FUSE PNL)
	700710188	2	SCR, PAN HD MACH, #6-32 X 3/4
14	71393938	1	DOOR, MANUAL HOLDER
15	71395771	1	PANEL ASY.
	70937660	1	SCREW, SELF TAPPING, 1/4-20 X 5/8
16	71408224	1	FLOORMAT, (RH)
17	71394892	1	COVER, FLOOR (RH)
	70937660	3	SCREW, SELF TAPPING, 1/4-20 X 5/8
18	71394899	1	SUPPORT
	70937660	2	SCREW, SELF TAPPING, 1/4-20 X 5/8
19	71394900	1	GUIDE
20	71394891	1	SURROUND, OPERATORS SEAT
	70937660	2	SCREW, SELF TAPPING, 1/4-20 X 5/8
21	71394890	1	SURROUND, INSTRUCTORS SEAT (PRIOR S/N HS36101)
	700728472		SURROUND, INSTRUCTORS SEAT (EFF. S/N HS36101)
	70937660	3	SCREW, SELF TAPPING, 1/4-20 X 5/8
22	71408223	1	FLOORMAT, MAIN
	71410959	1	PROTECTOR SHEET, FLRMAT(EFF.S/N HR36101)

CONTINUED

GC00304
PR: 62

INTERIOR COVERINGS & TRIM
LOWER AND REAR



9790 COMBINE
CAB

149

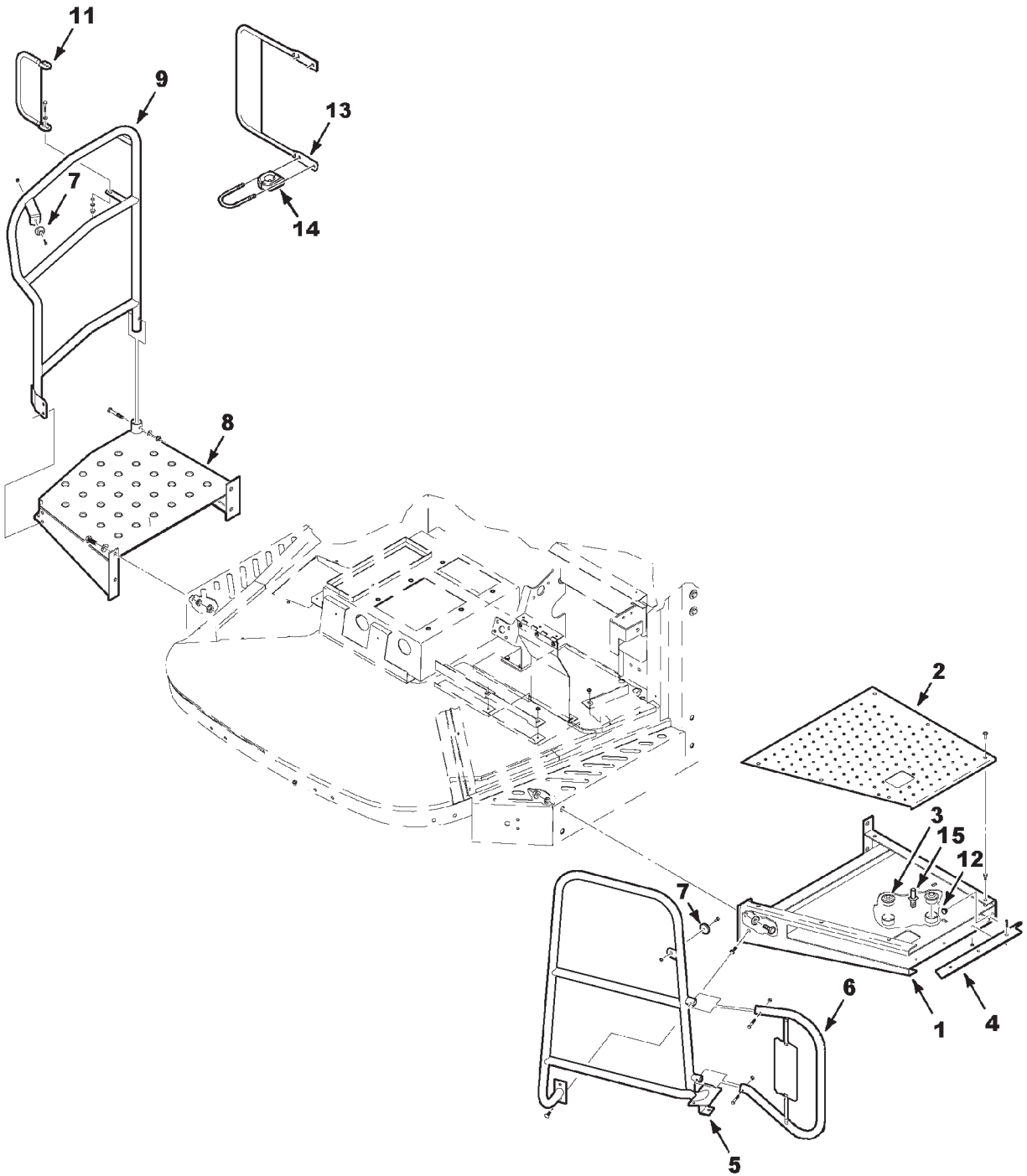
INTERIOR COVERINGS & TRIM
LOWER AND REAR

ITEM	NUMBER	QTY	DESCRIPTION
23	71394898	1	SUPPORT, MAIN
	70937660	2	SCREW, SELF TAPPING, 1/4-20 X 5/8
24	71394897	1	GUIDE, FRONT
25	71395773	1	THRESHOLD
	70937660	2	SCREW, SELF TAPPING, 1/4-20 X 5/8
26	71408225	1	FLOORMAT, INSTRUCTORS SEAT
27	71394896	1	SUPPORT, LEFT
	70937660	2	SCREW, SELF TAPPING, 1/4-20 X 5/8
28	71397427	1	BAFFLE
	372728X1	2	SCREW, SELF-TAPPING, 3/8-16 X 5/8
29	700164650	1	* MOUNTING BRKT
30	700728631	1	* DECAL, THERMOSTAT
31	700728473	1	* COVER, THERMOSTAT
32	700728714	1	* CONTROL KNOB
33	700728711	1	* THERMOSTAT
34	7703457	1	* CAPSCREW, 1/4-20 X 3/4 GR5
35	700725633	1	* INSERT, THREADED, 1/4-20

* ITEMS EFF. S/N HS36101

GC00304
PR: 62

PLATFORM
LEFT & RIGHT



GC00307

**9790 COMBINE
CAB**

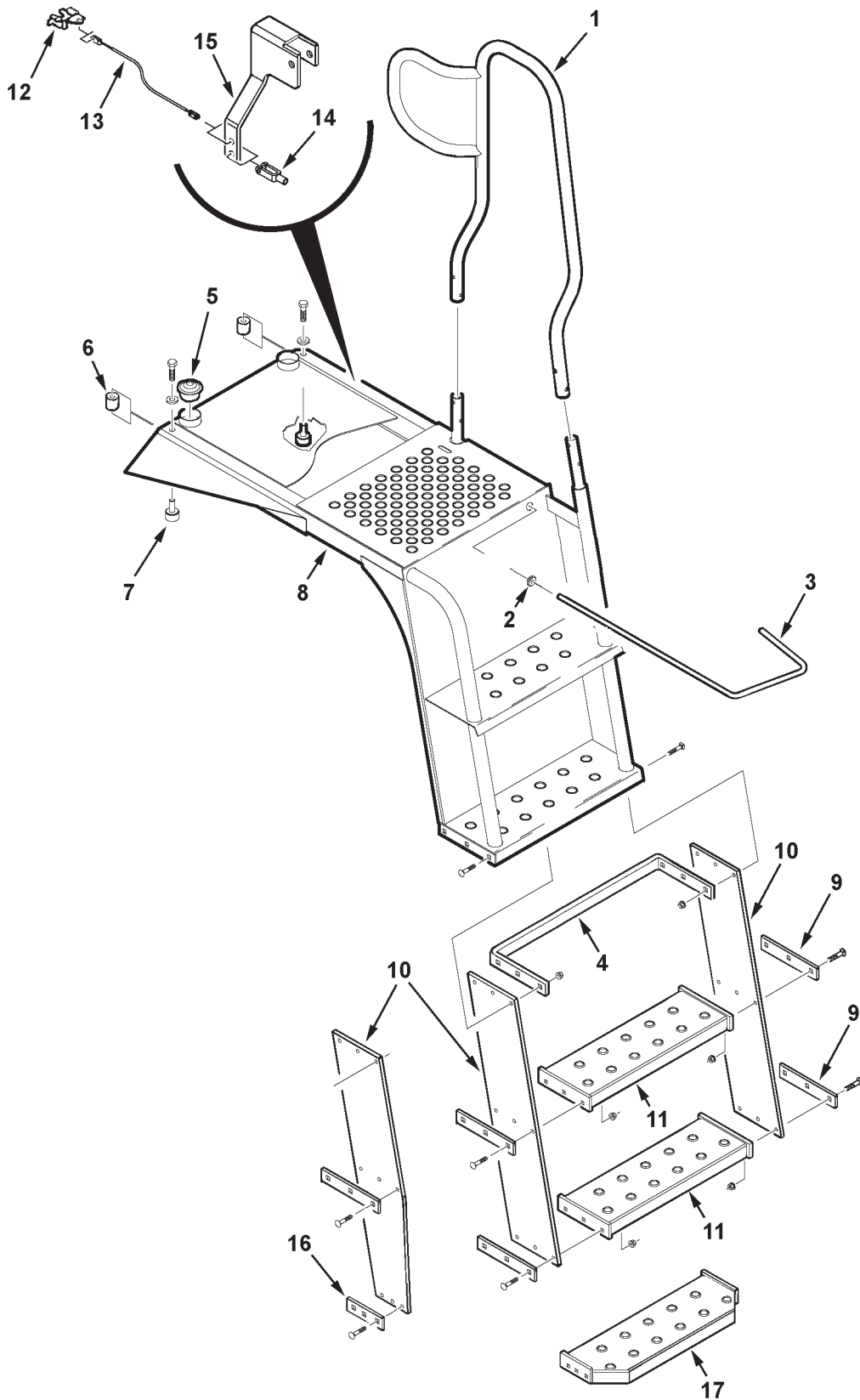
151

**PLATFORM
LEFT & RIGHT**

ITEM	NUMBER	QTY	DESCRIPTION
1	71399437	1	PLATFORM WLDMT, LH (PRIOR S/N HS36101)
	71418093	1	PLATFORM WLDMT, LH (EFF. S/N HS36101) (REQUIRES 71418482 LATCH ASY)
	70923112	4	CAPSCREW, 5/8-11 X 1-3/4 GR5
	70917373	4	LOCKWASHER, 5/8
	7704919	2	NUT, HEX FLANGE, 5/8-11 GR8
	70921965	2	CAPSCREW, 3/8-16 X 3/4
	71396682	1	PLATE, TOP DECK (PRIOR S/N HS36101)
2	71407719	1	PLATE, TOP DECK (EFF. S/N HS36101)
	7772049	6	SCREW, HEX FLNG SERR, 5/16-18 X 1
	700725958	6	INSERT, THREADED, 5/16-18
	71396743	2	BALL, TRANSFER, 30MPC
4	71396684	1	PLATE, WEAR (LOWER FRT.)
	70918222	3	SCR, FLAT CSK HD MACH, 1/4-20 X 3/4
	70931209	3	LOCKNUT, HEX FLNG SERR, 1/4-20
5	71396283	1	HANDRAIL WLDMT, LH
	7703424	3	SCREW, HEX FLNG. SERR., 3/8-16 X 1.0
	700725634	3	INSERT, THREADED, 3/8-16
6	71401700	1	GRABRAIL WLDMT, LH
	70925960	2	SCREW, PAN HD MACH, 5/16-18 X 1-1/2
	70931277	2	LOCKNUT, HEX SERR. FLANGE, 5/16-18
7	700708648	2	BUMPER
	700707203	2	SCREW, HEX WSHR HD MACH #12-24 X 3/4
	373839X1	2	NUT, HEX CENTER LOCK, #12-24
8	71396501	1	PLATFORM WLMT, RH (PRIOR S/N HS36101)
	71407677	1	PLATFORM WLMT, RH (EFF. S/N HS36101)
	70923112	4	CAPSCREW, 5/8-11 X 1-3/4 GR5
	70917373	4	LOCKWASHER, 5/8
9	7704919	2	NUT, HEX FLANGE, 5/8-11 GR8
	71396510	1	HANDRAIL WLDMT, RH (PRIOR S/N HN36101)
	71399442	1	HANDRAIL WLDMT, RH (EFF. S/N HN36101)
	7771470	2	SCREW, HEX SERR FLNG, 3/8-16 X 1-1/4
	700725634	2	INSERT, THREADED, 3/8-16
11	70922130	1	CAPSCREW, 3/8-16 X 2-1/4
	Y705533	1	WASHER, 3/8 HARD
	Y704734	1	NUT, HEX FLNG TOP LOCK, 3/8-16
	71396729	1	BRKT WLDMT, REFLECTOR(PRIOR S/N HN36101)
	103668W1	2	SPACER, PRESSURE PAD (PRIOR S/N HN36101)
12	7701717	2	CAPSCREW, 5/16-18 X 1-1/2
	Y705525	4	WASHER, 5/16
	Y704726	2	NUT, HEX FLNG TOP LK, 5/16-18
13	71399446	1	BUMPER, RUBBER, 5/16-18 X 1 STUD
	70920161	1	NUT, HEX JAM, 5/16-18
14	71399444	1	BRKT WLDMT, REFLECTOR (EFF. S/N HN36101)
15	71399445	2	U-CLAMP ASY, W/NUTS, 1/4-20 (EFF. S/N HN36101)
	71401707	2	STRIKER PIN (PRIOR S/N HS36101)
	71418483	2	STRIKER PIN (EFF. S/N HS36101)
	Y705525	2	WASHER, 5/16 HARD(PRIOR S/N HS36101)
	70931277	2	NUT, SERR. FLANGE, 5/16-18
	71394502	2	NUT, M12 X 1 (EFF. S/N HS36101)

GC00307
PR: 64

PIVOTING LADDER LH



9790 COMBINE
CAB

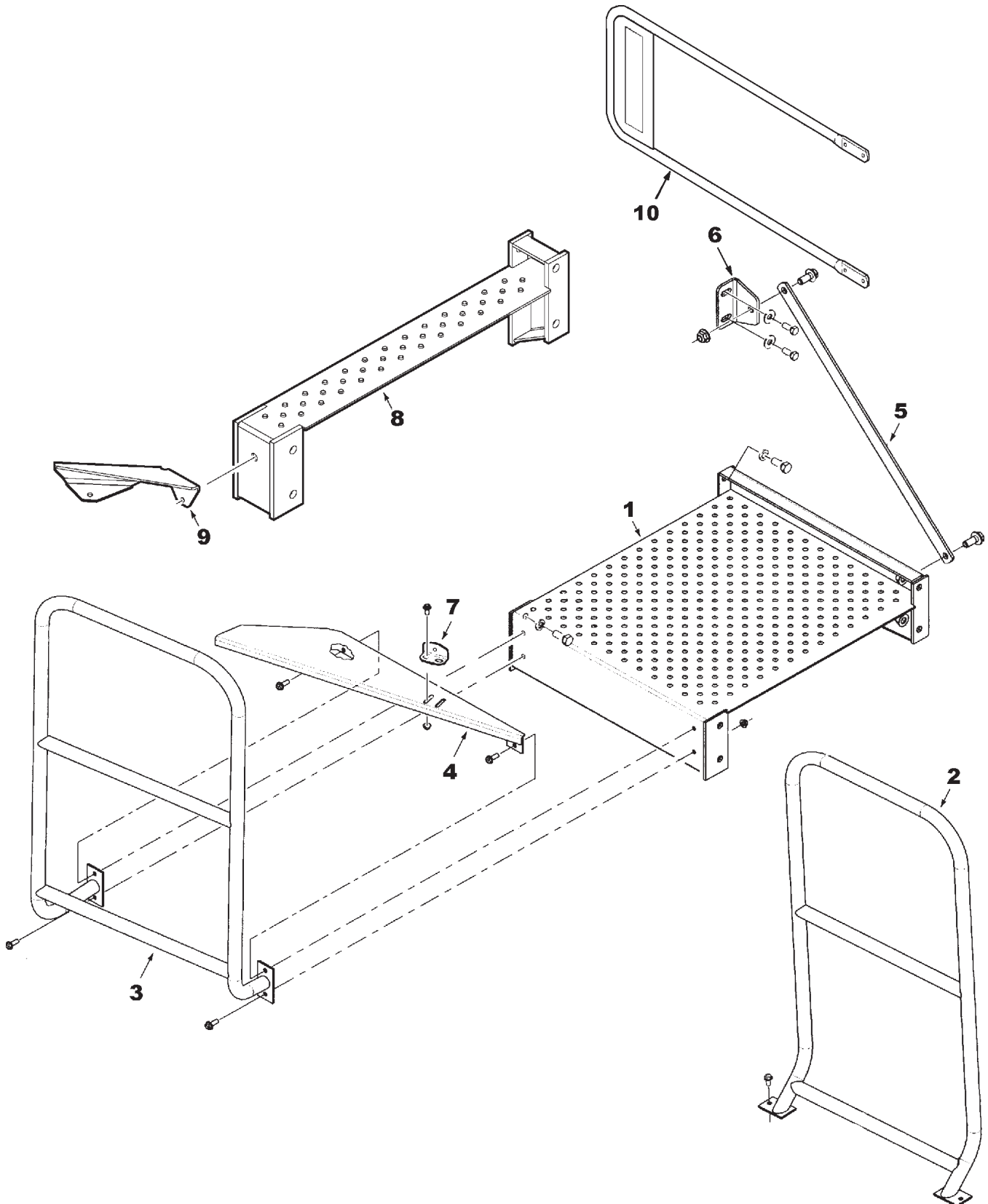
153

PIVOTING LADDER LH

ITEM	NUMBER	QTY	DESCRIPTION
1	71400628	1	TUBE WLDMT, GRAB
	7703838	1	CAPSCREW, 5/16-18 X 1-3/4
	6514772	1	SPACER
	7704117	1	NUT, HEX TOP LOCK, 5/16-18
	70925960	1	SCR,PHILLIPS PAN HD, 5/16-18 X 1-1/2
	Y705525	1	WASHER, 5/16 HARD
	70931277	1	NUT, HEX FLNG SERR, 5/16-18
2	70928304	1	GROMMET
3	71396745	1	ROD, OUTER LATCH
4	71397515	1	BRACKET, TREAD SUPPORT
5	71396743	2	BALL, TRANSFER, 30MPC
6	71396677	2	SPACER, THREADED
7	8050866	2	BEARING, CAM FOLLOWER
	873364	2	CAPSCREW, 1/2-20 X 3/4
	52167	2	BUSHING, 1/2 ID X 7/8 OD X 18 GA
8	71401710B	1	LADDER WA, PLATFORM (PRIOR S/N HS36101)
	71418481	1	LADDER WA, PLATFORM (EFF. S/N HS36101) (REQUIRES 71418482 LATCH ASY)
9	71362525	4	ANCHOR STRAP (QTY 2, S/N HN36101 THRU S/N HP36183, PROD'N MID-RUN)
10	71396735	2	PLATE, FLEXIBLE, PARALLEL SIDES
	71400641	2	PLATE,FLEXIBLE, TAPERED PROFILE (EFF.S/N HN36101 THRU HP36183,PROD'N MID-RUN)
	7700107	18	BOLT, RD HD SQ NK, 5/16-18 X 1-1/4
	70931277	18	LOCKNUT, HEX SERR. FLANGE, 5/16-18
11	71394472	2	TREAD WLDMT, STEP (QTY 1 S/N HN36101 THRU S/N HP36183, PROD'N MID-RUN)
12	71397510	1	LATCH ASY (PRIOR S/N HS36101)
	71418482	1	LATCH ASY (EFF. S/N HS36101)
	700718807	2	SCR,HX SCKT FLAT HD,SPL, 5/16-18 X 1
13	71397511	1	CABLE ASY, LATCH RELEASE
	7703457	3	CAPSCREW, 1/4-20 X 3/4
	1703354	2	NUT, HEX FLANGE TOP LOCK, 1/4-20
	705012	1	LOCKWASHER, 1/4
	353769X1	3	WASHER, HARDENED, 1/4
	70920438	2	NUT, HEX JAM, 5/16-24
14	766410	1	CLEVIS
	70927401	1	CAPSCREW, 1/4-20 X 1
	1703354	1	NUT, HEX FLANGE TOP LOCK, 1/4-20
15	71397255	1	PEDAL, FLOOR LATCH
	7703838	1	CAPSCREW, 5/16-18 X 1-3/4
	Y704726	1	NUT, HEX FLANGE TOP LOCK, 5/16-18
16	71400630	2	ANCHOR STRAP, BOTTOM (EFF. S/N HN36101 THRU S/N HP36183, PROD'N MID-RUN)
17	71400631	1	TREAD WLDMT, BOTTOM (EFF. S/N HN36101 THRU S/N HP36183, PROD'N MID-RUN)

MC00365
PR: 66

DECK EXTENSION
145" TREAD AND DUALS



**9790 COMBINE
CAB**

155

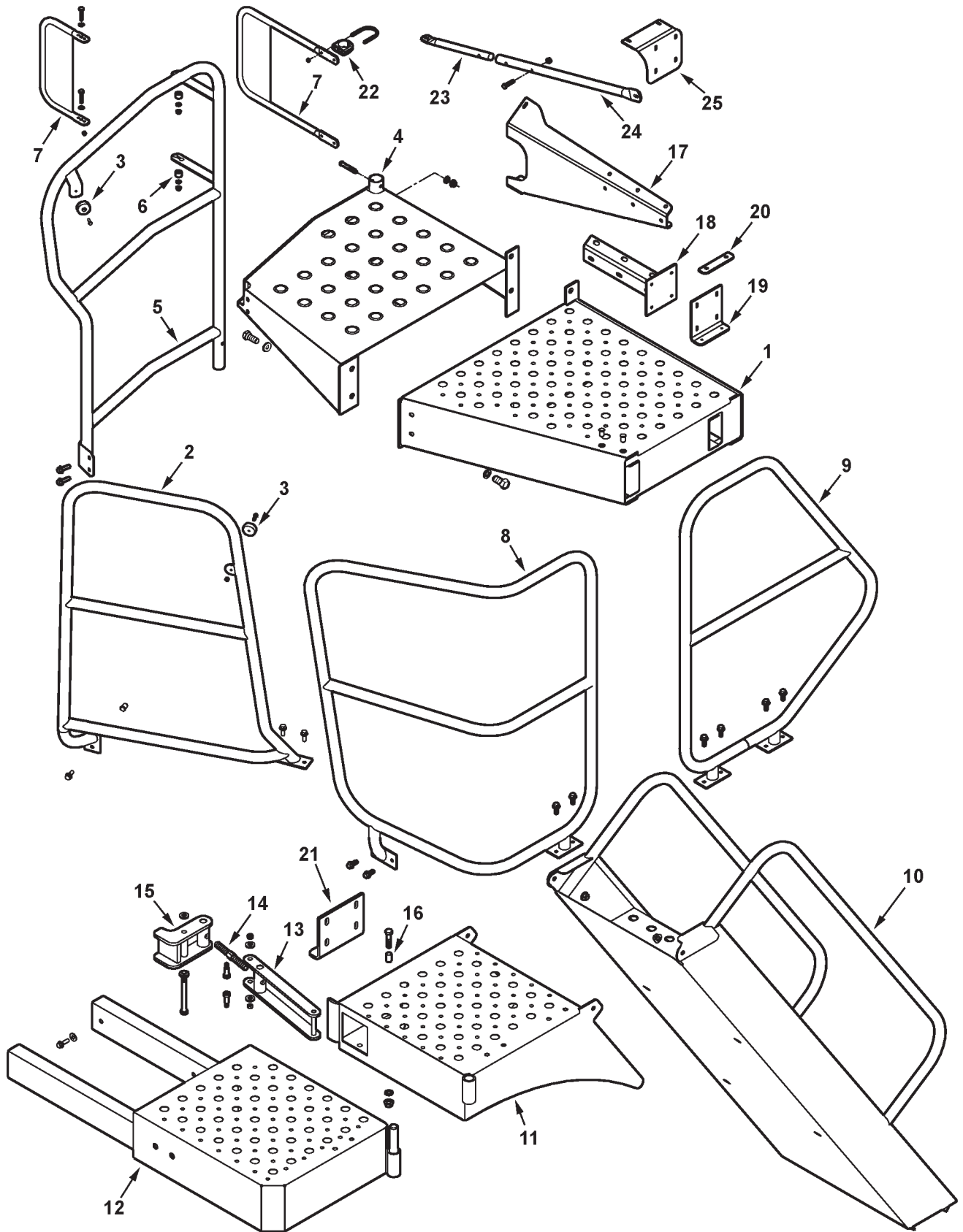
**DECK EXTENSION
145" TREAD AND DUALS**

ITEM	NUMBER	QTY	DESCRIPTION
1	71397268	1	PLATFORM EXTN WLDMT, 145" TREAD
	71397526	1	PLATFORM EXTN WLDMT, DUALS
	70924744	4	CAPSCREW, 5/8-11 X 1-1/2 GR5
	70917373	4	LOCKWASHER, 5/8 REG
	7704919	4	NUT, HEX FLANGE GR8
2	71400645	1	HANDRAIL WLDMT, SIDE, 145" TREAD
	71400646	1	HANDRAIL WLDMT, SIDE, DUALS
	372729X1	2	SCR, HX WSHR HD TAP'G, 5/16-18 X 3/4
3	71397265	1	HANDRAIL WLDMT, 145" TREAD
	71397532	1	HANDRAIL WLDMT, DUALS
	Y704734	4	NUT, HEX FLNG TOP LK, 3/8-16
	7883382	4	SCREW, HEX WSHR HD MACH 3/8-16 X 1
4	71397272	1	FILLER WLDMT, EXTENSION, 145" TREAD
	71397536	1	FILLER WLDMT, EXTENSION, DUALS
5	71397271	1	STRAP, SUPPORT, 145" TREAD
	71397535	1	STRAP, SUPPORT, DUALS
	700703922	2	NUT, HEX FLNG TOP LK, 5/8-11
	700711262	2	CAPSCREW, HEX FLG, 5/8-11 X 1-1/2
6	71397506	1	BRACKET, SUPPORT
7	71397538	1	ANGLE, DOOR STOP (DUALS)
	Y704726	2	NUT, HEX FLANGE TOP LOCK, 5/16-18
	7883325	2	SCR, HEX WSHR HD MACH, 5/16-18 X 3/4
8	71400626	1	PLATFORM EXT'N WLDMT, 4"
	70923112	4	CAPSCREW, 5/8-11 X 1-3/4 GR5
	70917373	4	LOCKWASHER, 5/8 REG
	7704919	4	NUT, HEX FLANGE GR8
9	71399447	1	PLATE, FILLER, 4" EXT'N
	7883325	2	SCR, HEX WSHR HD MACH, 5/16-18 X 3/4
	Y704726	2	NUT, HEX FLANGE TOP LOCK, 5/16-18
10	71401701	1	BRKT EXT WLDMT, RH, W/REFLECTOR DECALS
-	71399036	AR	*KIT, DECK EXTENSION (145" TREAD)
-	71399038	AR	*KIT, DECK EXTENSION (180" TREAD/DUALS)
-	71402014	AR	*KIT, 4" DECK EXTENSION

*ORDER THRU DEALER CENTRAL

GC00320
PR: 68

STAIRCASE LADDER & PLATFORM



9790 COMBINE
CAB

157

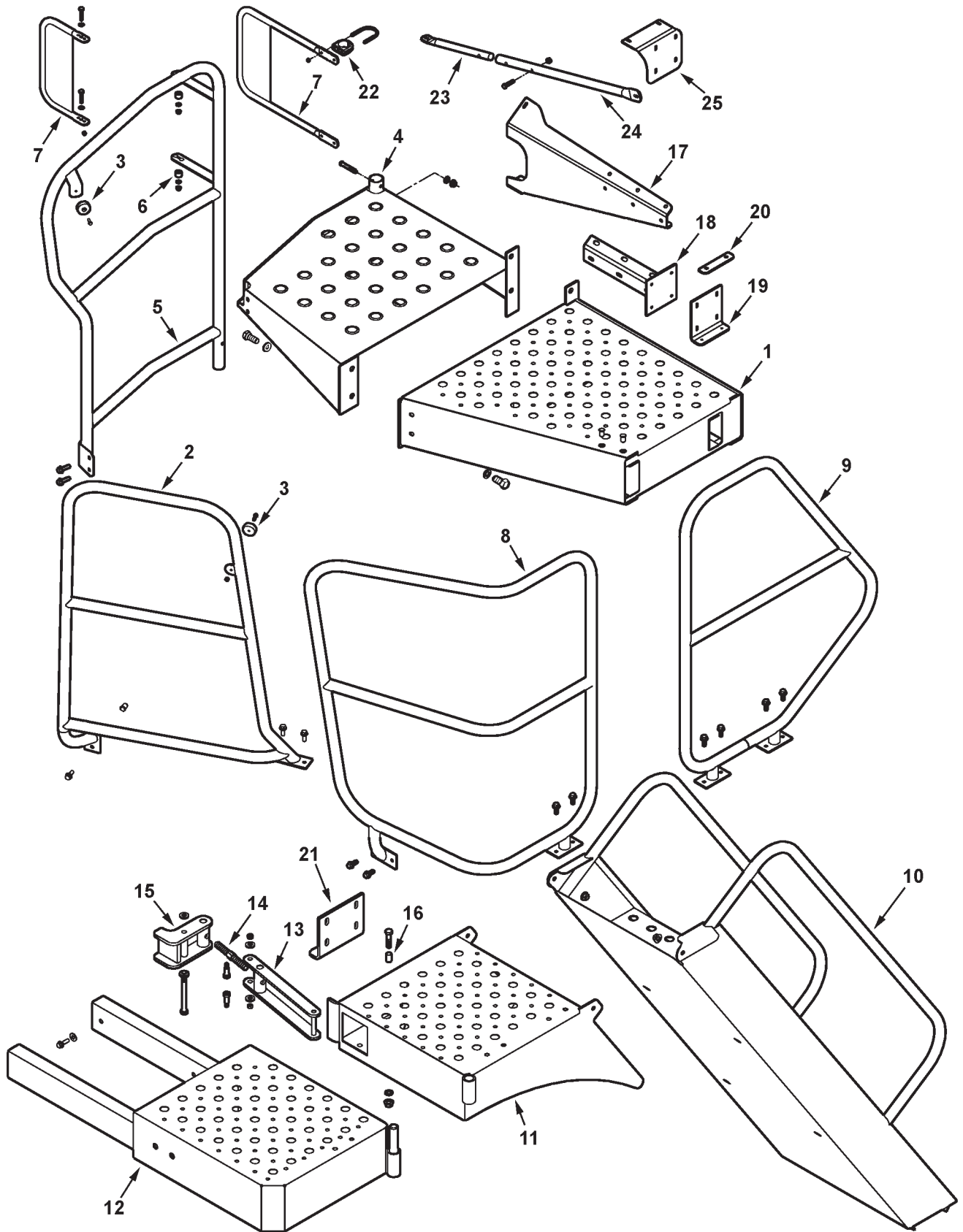
STAIRCASE LADDER & PLATFORM

ITEM	NUMBER	QTY	DESCRIPTION
1	71398429	1	PLATFORM WLMT, STAIRCASE
	70924744	4	CAPSCREW, 5/8-11 X 1-1/2
	70917373	4	LOCKWASHER, 5/8
	7704919	2	NUT, HEX FLANGE, 5/8-11 GR 8
2	71398436	1	HANDRAIL WLMT, LH
	700725634	4	INSERT, THREADED, 3/8-16
	7703424	4	SCREW, HEX SERR FLANGE, 3/8-16 X 1
3	700708648	2	BUMPER
	700707203	2	SCREW, HEX WSHR HD #12-24 X 3/4
	373839X1	2	NUT, HEX CENTER LOCK, #12-24
4	71396501	1	PLATFORM WLMT, RH
	70924744	4	CAPSCREW, 5/8-11 X 1-1/2
	70917373	4	LOCKWASHER, 5/8
	7704919	2	NUT, HEX FLANGE, 5/8-11 GR 8
5	71396510	1	HANDRAIL WLMT, RH (PRIOR S/N HP36101)
	71399442	1	HANDRAIL WLMT, RH (EFF. S/N HP36101)
	70922130	1	CAPSCREW, 3/8-16 X 2-1/4
	Y705533	1	WASHER, HARDENED 3/8
	Y704734	1	NUT, HEX FLANGE TOP LOCK, 3/8-16
	7771470	2	SCRW,HEX SERR FLANGE, 3/8-16 X 1-1/4
	700725634	2	INSERT, THREADED, 3/8-16
6	103668W1	2	SPACER, PRESSURE PAD (PRIOR S/N HP36101)
7	71396729	1	BRACKET WLMT, RFLCTRS(PRIOR S/N HP36101)
	71399444	1	BRACKET WLMT, RFLCTRS (EFF. S/N HP36101)
	7701717	2	CAPSCREW, 5/16-18 X 1-1/2 (PRIOR S/N HP36101)
	Y705525	4	WASHER, HARDENED 5/16
	Y704726	2	NUT, HEX FLANGE TOP LOCK, 5/16-18
8	71398196	1	HANDRAIL, CORNER
	7703424	4	SCREW, HEX SERR FLANGE, 3/8-16 X 1
9	71397842	1	HANDRAIL WLMT, STAIRCASE LEFT
	7703424	4	SCREW, HEX SERR FLANGE, 3/8-16 X 1
	704247	4	NUT, HEX SERR FLANGE, 3/8-16
10	71398182	1	STAIRCASE WLDMT
	7883424	2	CAPSCREW, HEX FLANGE, 1/2-13 X 1
	Y704742	2	NUT, HEX FLANGE TOP LOCK, 1/2-13
11	71398188	1	LANDING, STAIRCASE
12	71398197	1	EXTENSION WLMT, PLATFORM
	700725632	8	INSERT, THREADED, 3/8-16
	7771470	4	SCRW,HEX SERR FLANGE, 3/8-16 X 1-1/4
	70917378	4	WASHER, WIDE 3/8
13	71398445	1	HANDLE WLDMT
	700705676	2	SCRW,HX SOCK SHLDR, 1/2 X 1 X 3/8-16
	705541	2	WASHER, HARDENED, 1/2
	7704141	2	NUT, HEX TOP LOCK, 3/8-16
14	71398505	1	STUD, ADJUSTMENT
15	71398501	1	LATCH, HANDLE
	873497	1	CAPSCREW, 1/2-13 X 5-1/2
	705541	2	WASHER, HARDENED, 1/2
16	WSP1344	1	SPACER, TUBE
	70921024	1	CAPSCREW, 1/2-13 X 2 GR5
	700700057	1	WASHER, 1/2 X 7/8 X .075
	704254	1	NUT, HEX SERR FLANGE, 1/2-13

CONTINUED

MC00289
PR: 70

STAIRCASE LADDER & PLATFORM



**9790 COMBINE
CAB**

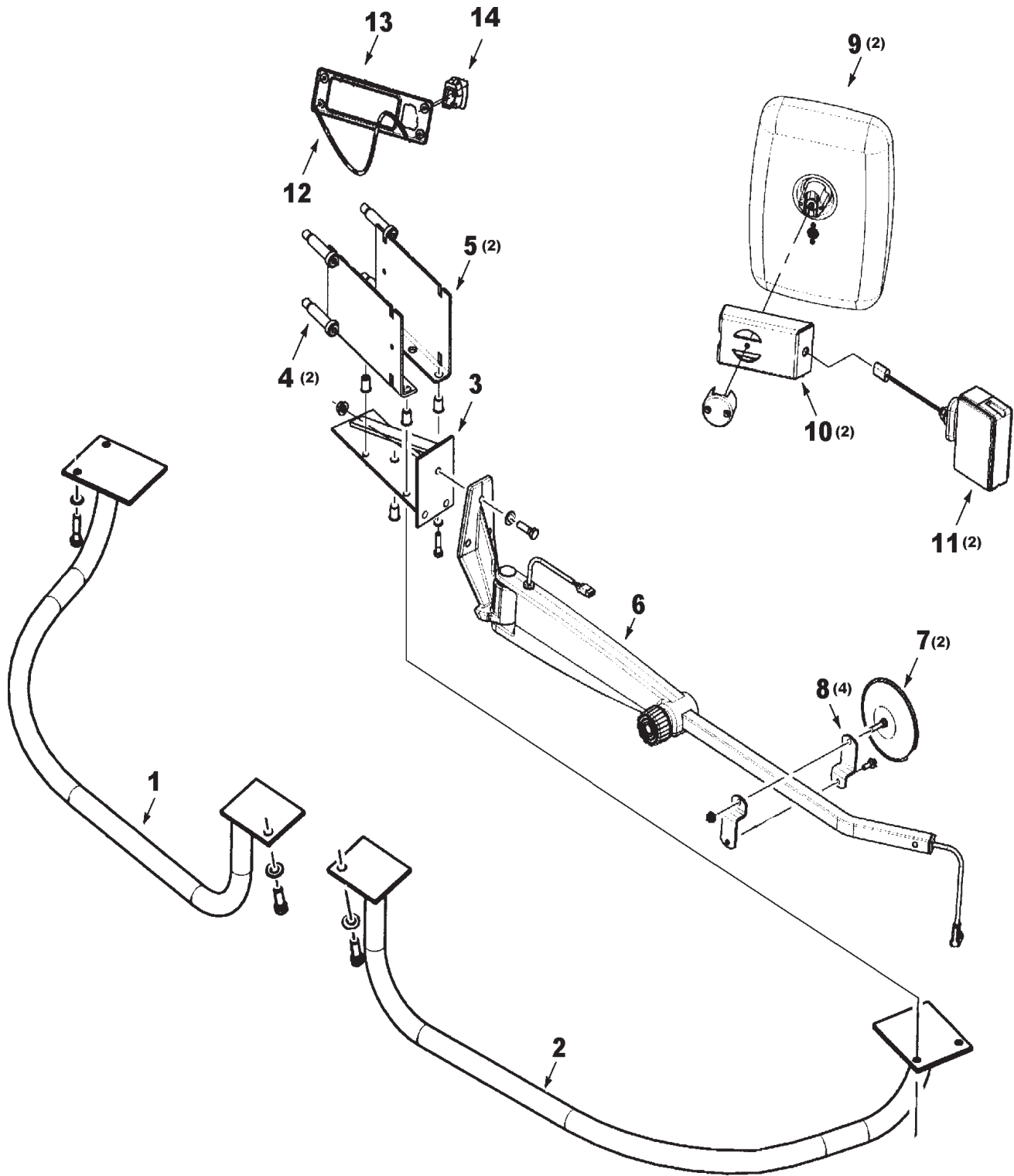
159

STAIRCASE LADDER & PLATFORM

ITEM	NUMBER	QTY	DESCRIPTION
17	71398514	1	SUPPORT WLMT, LADDER (PRIOR S/N HP36101)
	7883408	1	SCREW, HEX FLNG, 3/8-16 X 1-1/4 GR8
	Y704734	1	NUT, HEX FLNG TOP LOCK, 3/8-16
	700710984	1	SCREW, HEX FLNG, 1/2-13 X 1-1/4 GR8
	Y704742	1	NUT, HEX FLNG TOP LOCK, 1/2-13
18	71398511	1	EXTENSION WLMT, SUPPT(PRIOR S/N HP36101)
	700710984	4	SCREW, HEX FLNG, 1/2-13 X 1-1/4 GR8
	Y704742	4	NUT, HEX FLNG TOP LOCK, 1/2-13
19	71398509	1	SUPPORT BRKT, BUMPER
	7883408	4	SCREW, HEX FLNG, 3/8-16 X 1-1/4 GR8
	Y704734	4	NUT, HEX FLANGE TOP LOCK, 3/8-16
20	71398518	1	PLATE, CONTACT
	70918222	2	SCREW, MACH, 1/4-20 X 3/4
	70931209	2	NUT, HEX SERR FLANGE, 1/4-20
21	71398510	1	SUPPORT BRACKET
	70921210	4	CAPSCREW, 3/8-16 X 1"
	Y704734	4	NUT, HEX FLANGE TOP LOCK, 3/8-16
22	71399445	2	U-CLAMP ASY, W/NUTS, 1/4-20 (EFF. S/N HP36101)
23	71401723B	1	TUBE, INNER SUPPORT (EFF. S/N HP36101)
	70920415	2	CAPSCREW, 3/8-16 X 1-1/4 GR5
	Y704734	2	NUT, HEX FLANGE TOP LOCK, 3/8-16
24	71401722B	1	TUBE, OUTER SUPPORT (EFF. S/N HP36101)
	7701055	1	CAPSCREW, 3/8-16 X 1-3/4 GR5
	Y704734	1	NUT, HEX FLANGE TOP LOCK, 3/8-16
25	71406751B	1	BRKT WLDMT, SUPPORT (EFF. S/N HP36101)
	7883408	2	SCREW, HEX FLNG, 3/8-16 X 1-1/4 GR8
	Y704734	2	NUT, HEX FLANGE TOP LOCK, 3/8-16

MCO0289
PR: 70

MIRRORS & EXTREMITY LIGHTS
MANUAL & ELECTRIC ADJUST



**9790 COMBINE
CAB**

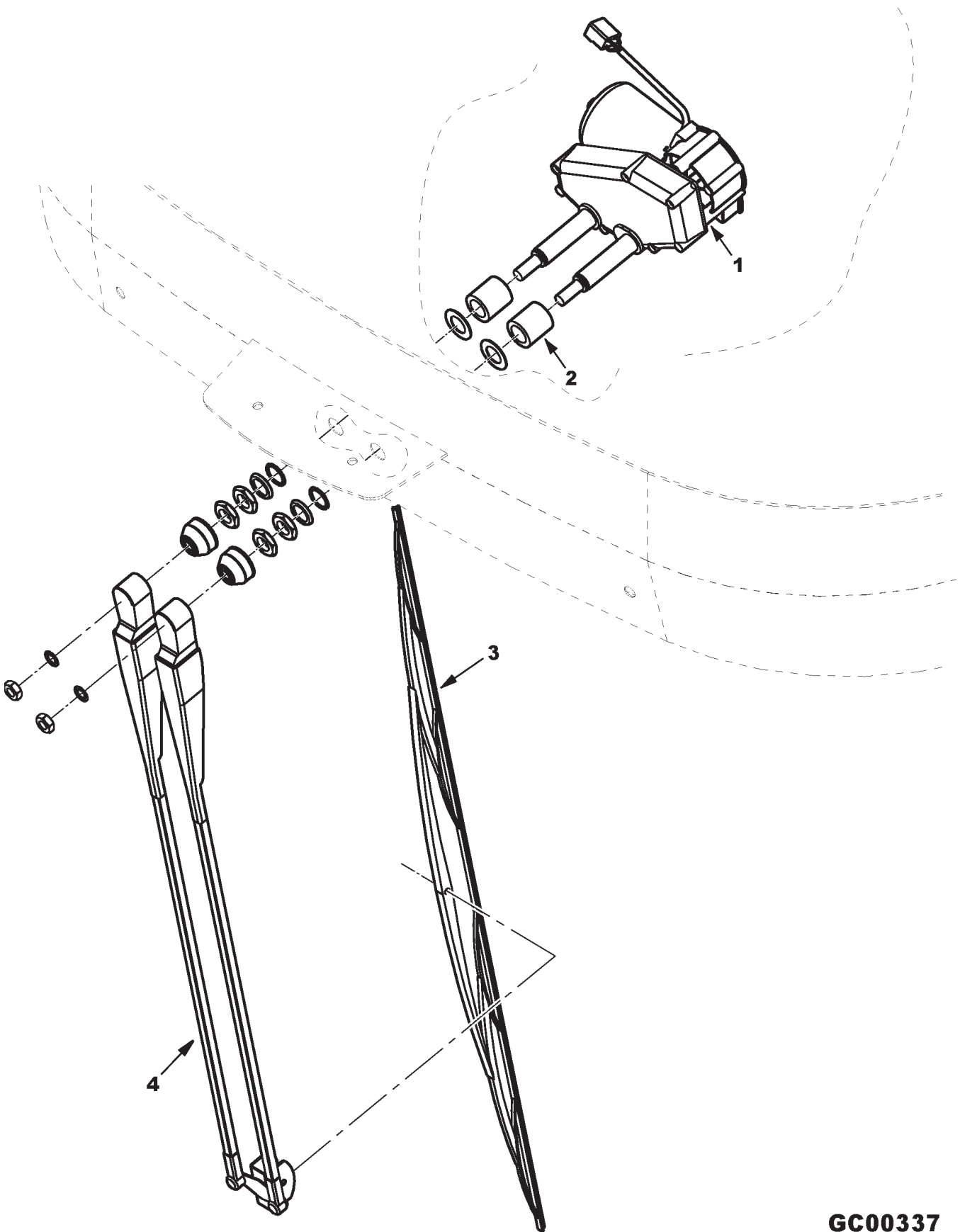
161

**MIRRORS & EXTREMITY LIGHTS
MANUAL & ELECTRIC ADJUST**

ITEM	NUMBER	QTY	DESCRIPTION
1	71393324	1	GRABRAIL, RIGHT
	703249	1	CAPSCREW, 3/8-16 X 1.0
	Y705533	1	WASHER, HARD, 3/8
	Y704734	1	NUT, HEX FLANGE TOP LOCK, 3/8-16
	70921977	2	CAPSCREW, 5/16-18 X 1-1/4
2	70917356	2	LOCKWASHER, 5/16
	71393323	1	GRABRAIL, LEFT
	703249	1	CAPSCREW, 3/8-16 X 1.0
	Y705533	1	WASHER, HARD, 3/8
	Y704734	1	NUT, HEX FLANGE TOP LOCK, 3/8-16
3	70921977	2	CAPSCREW, 5/16-18 X 1-1/4
	70917356	2	LOCKWASHER, 5/16
	71390453	1	BRACKET, MIRROR ARM (LH)
	71390452	1	BRACKET, MIRROR ARM (RH)
	70921977	4	CAPSCREW, 5/16-18 X 1-1/4
4	70917356	4	LOCKWASHER, 5/16
	700725958	AR	INSERT, THREADED, 5/16-18
	71390450	2	BRACKET
	704254	4	LOCKNUT, HEX FLNG SERR, 1/2-13
	71390451	2	BRACKET
5	704254	4	LOCKNUT, HEX FLNG SERR, 1/2-13
	71387272	1	ARM, MIRROR (MANUAL) (LH)
	71387279	1	ARM, MIRROR (REMOTE) (LH)
	71387271	1	ARM, MIRROR (MANUAL) (RH)
	71387278	1	ARM, MIRROR (REMOTE) (RH)
6	71397838	1	THUMBWHEEL ASY.
	70920415	6	CAPSCREW, 3/8-16 X 1-1/4
	Y705533	6	WASHER, 3/8
	Y704734	6	NUT, HEX FLANGE TOP LOCK, 3/8-16
	71355604	2	MIRROR, GRAIN BIN
7	70931209	2	LOCKNUT, HEX FLNG SERR, 1/4-20
	71407655	4	BRACKET
	70930594	2	SCREW, HEX SERR FLANGE, 1/4-20 X 3/4
8	70934479	2	NUT, HEX TOP LOCK, 1/4-20
	71387273	2	MIRROR ASY., (MANUAL)
	71387280	2	MIRROR ASY., (REMOTE)
	71397839	2	MIRROR, GLASS
	71397840	2	RETAINING KIT, MIRROR
9	71393455	2	BRACKET, EXTREMITY LIGHT
10	71391501	2	LAMP, EXTREMITY
11	71390122	1	HARNES, REMOTE MIRR.(PRIOR S/N HP36101)
12	71395763	1	BEZEL, HVAC (MANUAL ADJUST MIRRORS) (PRIOR S/N HN36101)
	71393943	1	BEZEL, HVAC (REMOTE ADJUST MIRRORS)
	70937280	4	SCREW, PAN HD. SELF-TAP #8-32 X 3/4
13	71387281	1	SWITCH, REMOTE MIRROR

GC00315
PR: 74

WINDSHIELD WIPER



9790 COMBINE
CAB

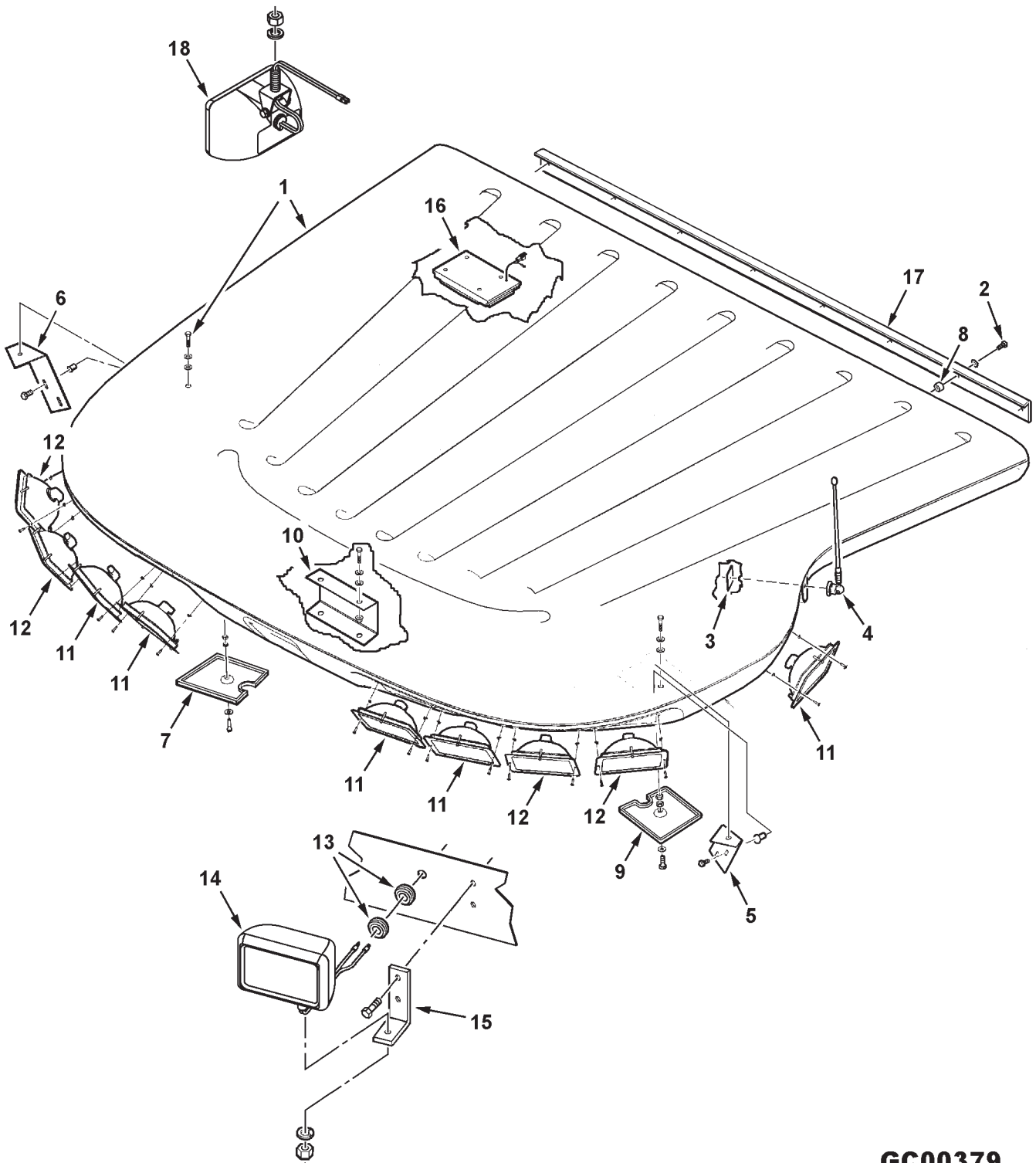
163

WINDSHIELD WIPER

ITEM	NUMBER	QTY	DESCRIPTION
1	71387295	1	MOTOR, WIPER (INCLUDES MOUNTING HRDWR)
	71397837	1	HRDWR KIT, MOTOR MOUNTING
-	71387420	1	SWITCH, WIPER (NOT ILL.) (REF. ALSO MODULES, UPPER CONSOLE)
2	71390468	2	BUSHING, WIPER
3	71387297	1	BLADE, WIPER
4	71390472	1	ARM, WIPER

GC00337
PR: 76

ROOF & INTERIOR/EXTERIOR LIGHTS



**9790 COMBINE
CAB**

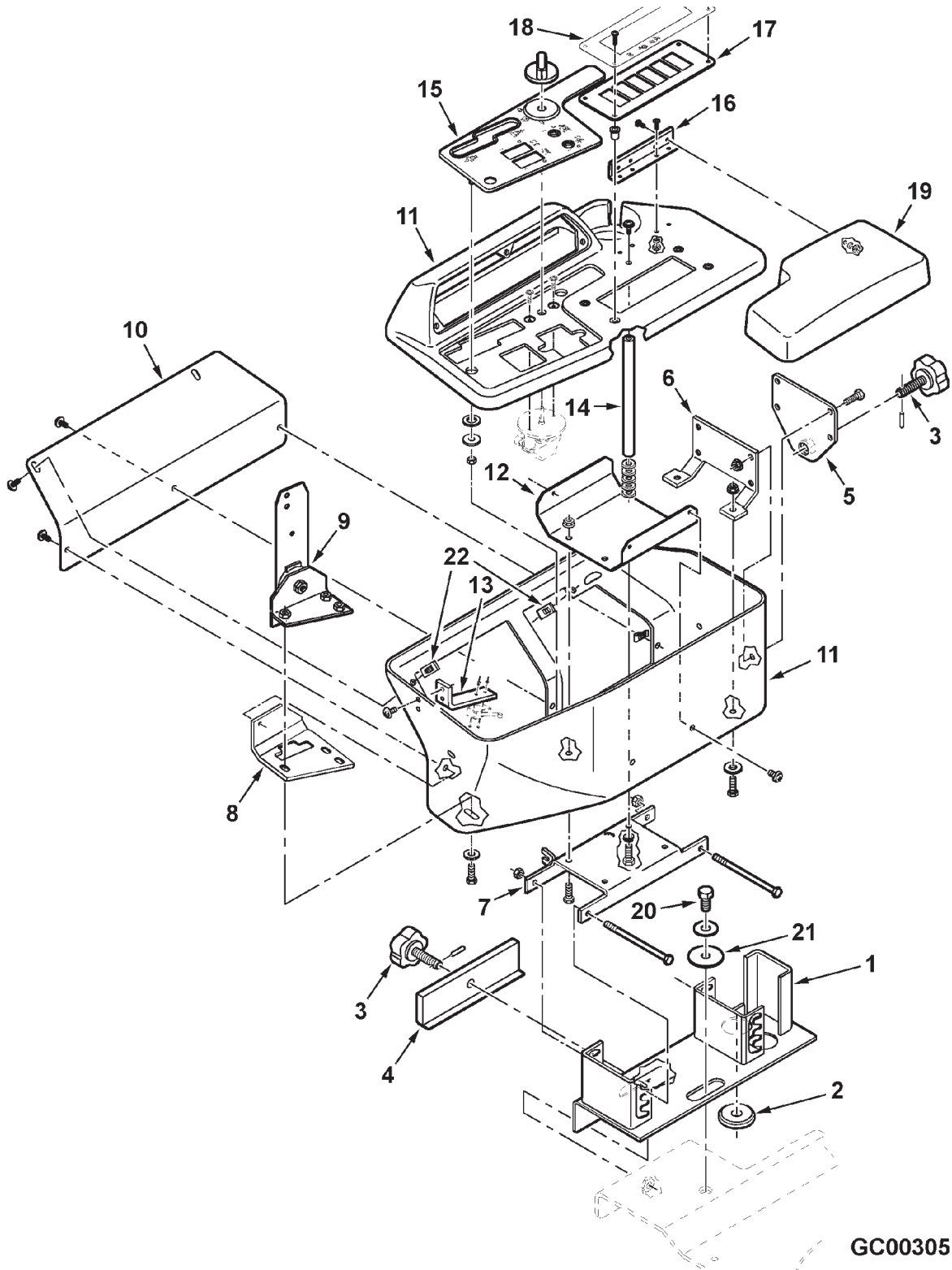
165

ROOF & INTERIOR/EXTERIOR LIGHTS

ITEM	NUMBER	QTY	DESCRIPTION
1	-----	1	ROOF ASY, CAB (PRIOR S/N HP36101) (ITEM 8 & 17 REQUIRED) (SERVICE W/ 71406748)
	71406748	1	ROOF ASY, CAB (EFF. S/N HP36101) (ITEM 8 NOT REQUIRED)
	7883325	4	SCR, HEX WSHR HD MACH, 5/16-18 X 3/4
	700709602	4	WASHER, 5/16 WIDE
	700717621	4	WASHER, RUBBER, .370 X .88 X .090
	Y704726	4	NUT, HEX FLANGE TOP LOCK, 5/16-18
2	70921960	9	CAPSCREW, 1/4-20 X 1 GR5
	700709601	9	WASHER, PLAIN WIDE, 1/4
3	71394800	1	PLATE, ANTENNA GRND.
4	RE210066	1	ANTENNA
5	71396736	1	BRACKET, ROOF SUPPORT, LH
6	71399426	1	BRACKET, ROOF SUPPORT, RH
	Y703132	4	SCR, HEX FLNG SERR., 5/16-18 X 3/4
	700725958	4	INSERT, THREADED, 5/16-18
7	71387274	1	COVER, SUPPORT ACCESS (RH)
	70921977	1	CAPSCREW, 5/16-18 X 1-1/4
	700709602	1	WASHER, WIDE PLAIN, 5/16
	70920161	1	JAM NUT, 5/16-18
	70917372	1	NUT, 5/16-18 REG
8	71401719	9	SPACER, .281 ID X .50 X .20 TH (PRIOR S/N HP36101)
9	71387275	1	COVER, SUPPORT ACCESS (LH)
	70921977	1	CAPSCREW, 5/16-18 X 1-1/4
	700709602	1	WASHER, PLAIN WIDE, 5/16
	70920161	1	JAM NUT, 5/16-18
	70917372	1	HEXNUT, 5/16-18
10	71398525	1	BRACKET, ROOF SUPPORT, FRONT
11	71387267	5	LAMP ASY., TRAP 25 DEG. UP
	700725576	AR	BULB, 12V 60W (GE 9004U)
	70937550	10	SCREW, PAN HD. SELF-TAP #8-18 X 3/4
	700715255	10	NUT, SPEED, #8
12	71387268	4	LAMP ASY., FLOOD 10 DEG. UP
	700725576	AR	BULB, 12V 60W (GE 9004U)
	70937550	8	SCREW, PAN HD. SELF-TAP #8-18 X 3/4
	700715255	8	NUT, SPEED, #8
13	7827983	4	GROMMET, WIRE
14	71393703	2	LIGHT, CAB, LOWER
	Y705046	2	LOCKWASHER, 1/2
	704031	2	NUT, 1/2-13 REG
15	71396954	2	BRACKET
	7883325	4	SCREW, HEX MACH. 5/16-18 X 3/4
	70931277	4	LOCKNUT, HEX SERR FLANGE, 5/16-18
16	71361831	1	LIGHT, INTERIOR
	700701265	4	SCR, PAN HD. SELF-TAP, #8-18 X 1/1/2
	700705185	1	SCREW, PAN HD. MACH. #8-32 X 1/2 (GRND WIRE ATTACHING SCREW)
17	71401718	1	ANGLE, ROOF RETAINER, REAR
18	71406866	1	LIGHT, ROW FINDER
	Y705046	1	LOCKWASHER, 1/2
	704031	1	NUT, 1/2-13 REG

GC00379
PR: 78

CONSOLE - SEAT



9790 COMBINE
CAB

167

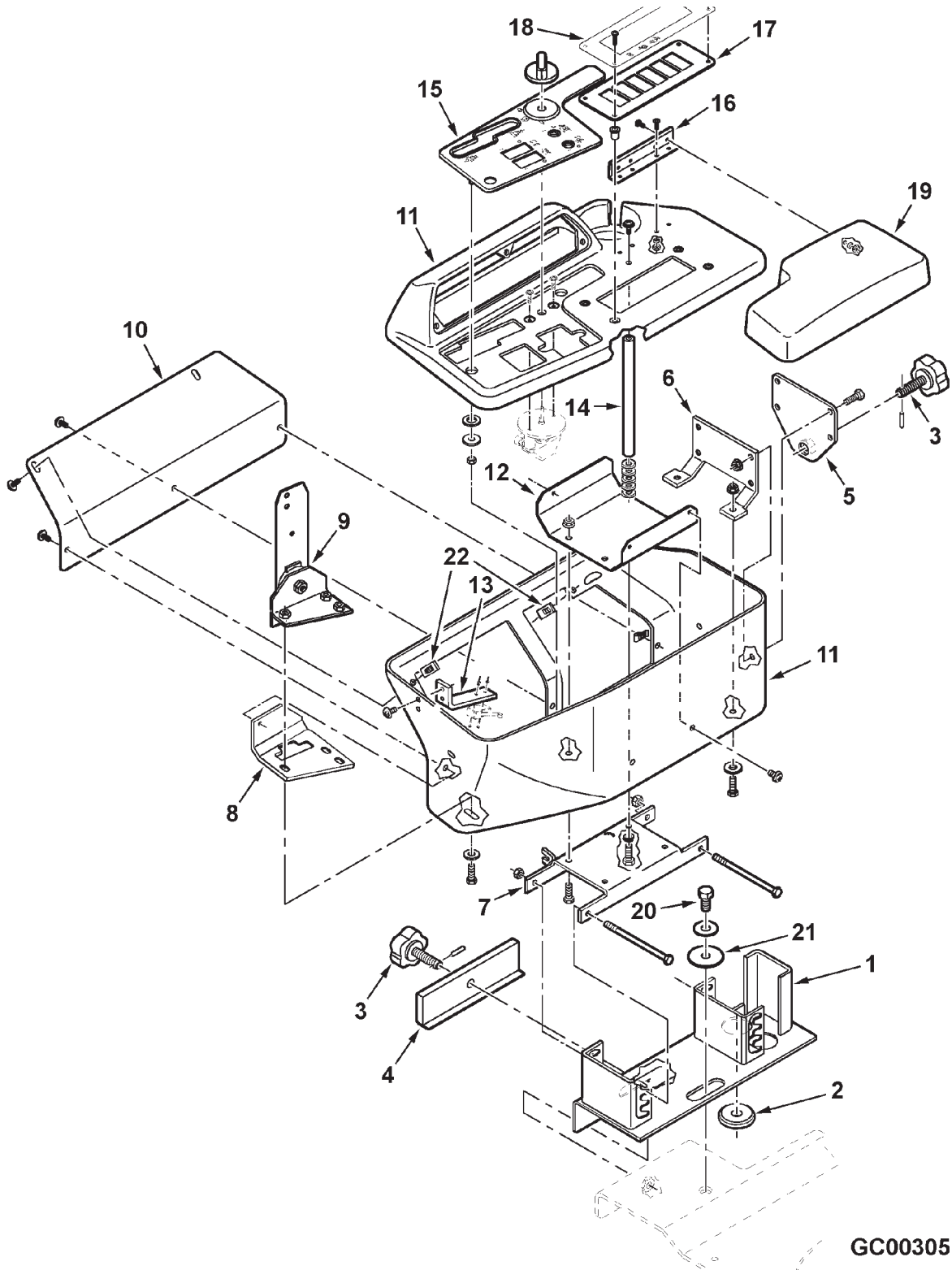
CONSOLE - SEAT

ITEM	NUMBER	QTY	DESCRIPTION
1	71398815	1	PLATE WLMT, ADJUSTER (PRIOR S/N HR36101)
	71409576	1	PLATE WLMT, ADJUSTER (EFF. S/N HR36101)
2	71395754	1	GROMMET
3	71388152	2	KNOB, THREADED, 1/2-13 X 2
	70918111	2	PIN, SPRING, 1/8 X 1
4	71393609	1	BAR, STABILIZER
5	71388149	1	PLATE, KNOB
	70921333	4	CAPSCREW, 5/16-18 X 1.0
	70931277	4	LOCKNUT, HEX SERR. FLANGE, 5/16-18
6	71393613	1	STIFFENER, REAR
	70921333	2	CAPSCREW, 5/16-18 X 1.0
	70917642	2	WASHER, 5/16 WIDE
	70931277	2	LOCKNUT, HEX SERR. FLANGE, 5/16-18
7	71388142	1	BASEPLATE
	70925693	2	CAPSCREW, 5/16-18 X 5.0
	70923362	2	LOCKNUT, 5/16-18
8	71393615	1	STIFFENER
9	71388129	1	PIVOT ASY., HYDRO HANDLE
	71408202	AR	KIT, PIVOT ASY REPAIR (INCL. ALL COMP'TS EXCEPT MTG BRKT & PVT LEVER)
	70921333	3	CAPSCREW, 5/16-18 X 1.0
	70917642	3	WASHER, 5/16 WIDE
10	71388154	1	COVER
	70937660	5	SCREW, PAN HD,TAPPING, 1/4-20 X 5/8
11	71400501	1	CONSOLE HSG (1 PIECE. SHOWN IN 2 PIECES) (PRIOR S/N HR36101)
	71409600	1	CONSOLE HSG (1 PIECE. SHOWN IN 2 PIECES) (EFF. S/N HR36101)
12	71393612	1	STIFFENER, BOTTOM
	70921333	3	CAPSCREW, 5/16-18 X 1.0
	70931277	3	LOCKNUT, HEX FLANGE SERR, 5/16-18
	70937660	2	SCREW, PAN HD,TAPPING, 1/4-20 X 5/8
13	71398165	1	BRACKET, PROXIMITY SWITCH (SERVICE WITH #71406876 FOR MICRO SWITCH)
	71406876	1	BRACKET, MICRO SWITCH (USED W/SWITCH #107041 - SEE ELECT. SECTION)
	70937660	2	SCREW, PAN HD,TAPPING, 1/4-20 X 5/8
14	71393614	1	STIFFENER, VERTICAL
	70921333	1	CAPSCREW, 5/16-18 X 1.0
	Y705525	5	WASHER, 5/16
	70917356	1	LOCKWASHER, 5/16
	70937660	1	SCREW, PAN HD,TAPPING, 1/4-20 X 5/8
15	71393939	1	BEZEL, CONSOLE
	70923550	4	WASHER, .562 X 1.0 X 12GA
	70919381	4	WASHER, .344 X 1.0
	1703354	4	NUT, HEX FLANGE TOP LOCK, 1/4-20

CONTINUED

GC00305
PR: 80

CONSOLE - SEAT



9790 COMBINE
CAB

169

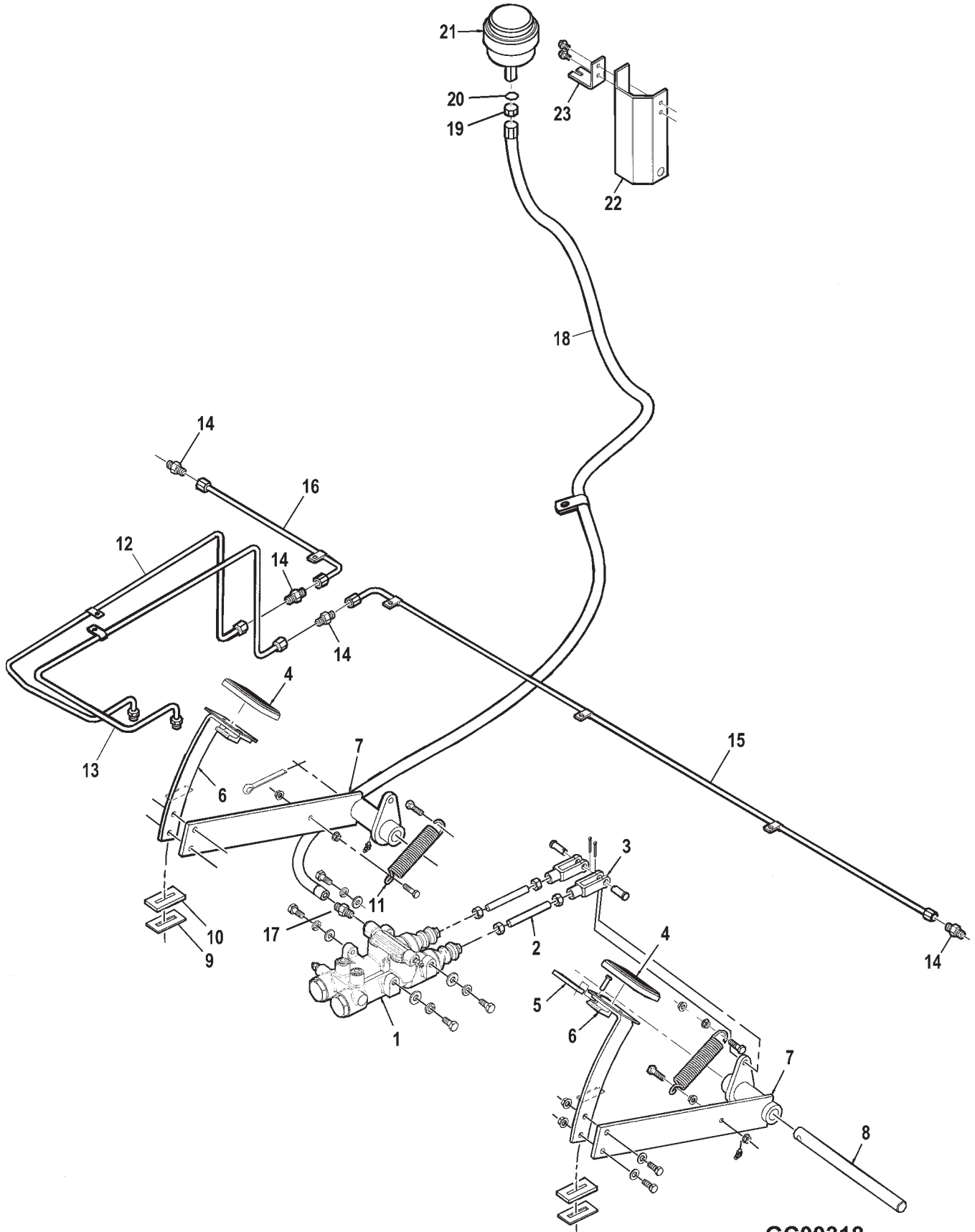
CONSOLE - SEAT

ITEM	NUMBER	QTY	DESCRIPTION
16	71391157	1	HINGE
	116047W1	8	SCREW, PAN HD. MACH. #10-24 X 5/8
	705004	8	LOCKWASHER, #10
	Y704072	8	HEXNUT, #10-24
17	71393929	1	PLATE, SWITCH MTG. (PRIOR S/N HR36101)
	71409579	1	PLATE, SWITCH MTG. (EFF. S/N HR36101)
	70937280	4	SCREW, SELF TAPPING #8-32 X 3/4
	71393926	4	WELLNUT, #8-32
18	71395764	1	DECAL, SWITCHES (PRIOR S/N HR36101)
	71409594	1	DECAL, SWITCHES(EFF.S/N HR36101-HR36999)
19	71388131	1	ARMREST ASY.
20	70921865	1	CAPSCREW, NYLOK, 1/2-13 X 1
	70918431	1	WASHER, 1/2 WIDE
21	71398814	1	WASHER, POLYETHYLENE, NATURAL
22	700705135	3	SPEEDNUT, 1/4-20

GC00305
PR: 80

9790 COMBINE
CAB

CONTROL
SERVICE BRAKES



GC00318

**9790 COMBINE
CAB**

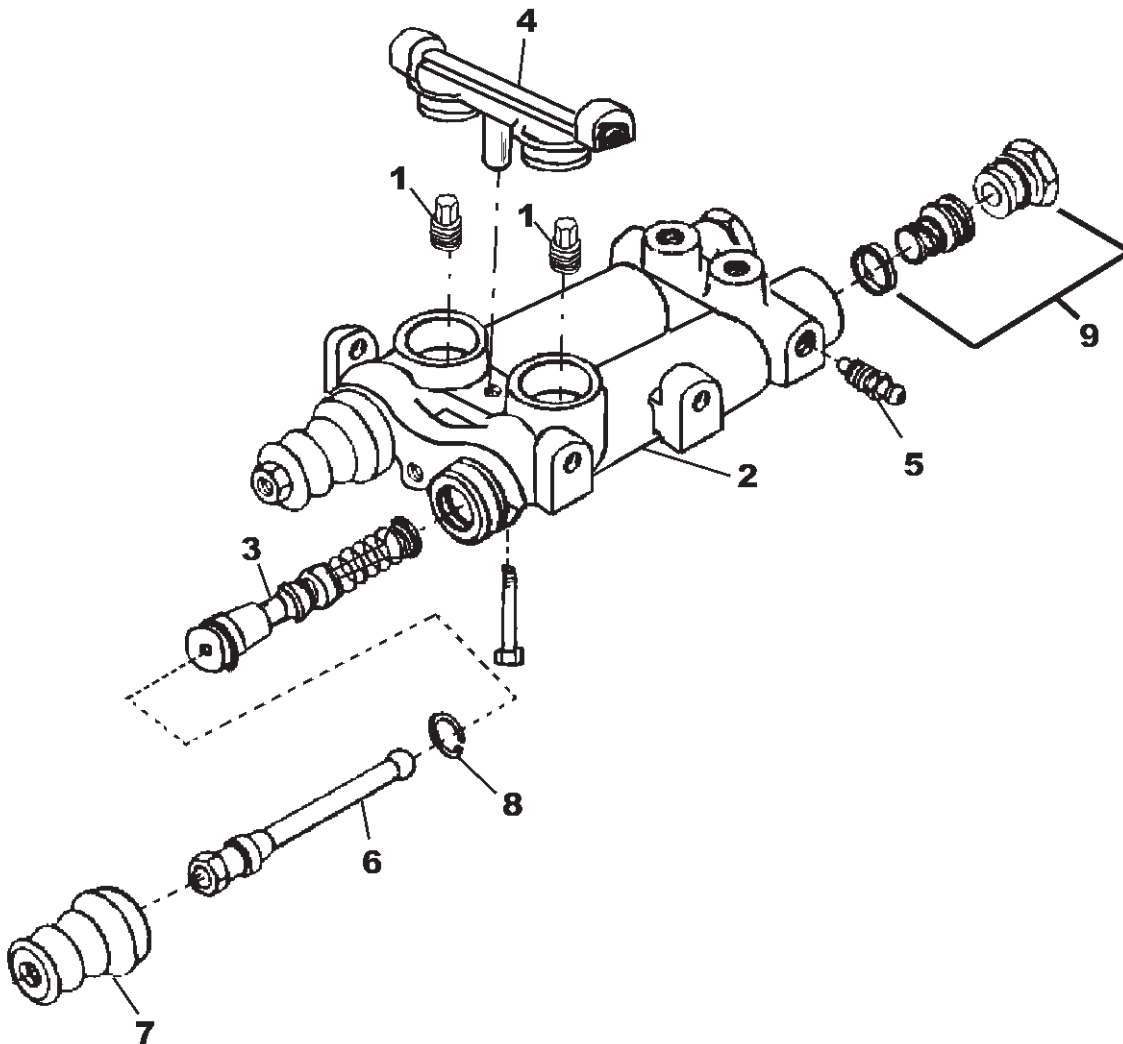
171

**CONTROL
SERVICE BRAKES**

ITEM	NUMBER	QTY	DESCRIPTION
1	71378364	1	MASTER CYLINDER, BRAKE
	700708349	4	CAPSCREW, M10 X 1.5 X 25
	339376X1	4	LOCKWASHER, M10
	700702916	4	WASHER, WIDE HARD, 3/8
2	71361940	2	ROD, BRAKE
	353426X1	4	NUT, 7/16-20 UNF
3	W500053E	2	YOKE
	700706356	2	PIN, CLEVIS, 7/16 X 1-1/4
	70918452	2	PIN, COTTER, 1/8 X 1.0
4	71361947	2	PAD, PEDAL
5	71361941	1	LOCK, LINK (LH ONLY)
	763136	1	PIN, CLEVIS, 1/4 X 1.0
6	71390414	1	PEDAL, BRAKE (LH)
	71390413	1	PEDAL, BRAKE (RH)
	703249	4	CAPSCREW, 3/8-16 X 1.0
	70918266	4	WASHER, 3/8, NARR
	704247	4	LOCKNUT, HEX SERR FLANGE, 3/8-16
7	71387178	1	ARM, BRAKE PEDAL (LH)
	71387177	1	ARM, BRAKE PEDAL (RH)
	70925731	2	FITTING, GREASE, 1/4-28 X 45 DEG.
8	71361720	1	SHAFT, BRAKE PEDAL
	70929957	1	PIN, COTTER, 3/8 X 3.0
9	71387181	2	BRACKET
10	71390407	2	SEAL, PEDAL
11	1565240W1	2	SPRING
	70921977	4	CAPSCREW, 5/16 X 1-1/4
	70931277	8	LOCKNUT, HEX SERR FLANGE, 5/6-18
12	71391255	1	TUBE, MASTER CYL. (RH)
	70928654	1	CLAMP, LINE, 1/4 X .406 HOLE
	7704141	1	NUT, HEX TOP LOCK, 3/8-16
13	71391256	1	TUBE, MASTER CYL. (LH)
	70928654	1	CLAMP, LINE, 1/4 X .406 HOLE
	7704141	1	NUT, HEX TOP LOCK, 3/8-16
14	70919214	4	UNION, 1/4 JIC X 1/4 JIC
15	71391254	1	TUBE, CAB, (LH)
	70926919	3	CLAMP, LINE, 1/4 X .281 HOLE
	365775X1	3	SCREW, HEX SELF-TAP, 1/4-20 X 1/2
16	71391253	1	TUBE, CAB, (RH)
	70926919	1	CLAMP, LINE, 1/4 X .281 HOLE
	365775X1	1	SCREW, HEX SELF-TAP, 1/4-20 X 1/2
17	70920821	1	CONNECTOR, 1/4 HOSE X 5/16 INVERTED
18	71396273	1	HOSE ASY.
	70929402	1	CLAMP, WORM DRIVE, .22-.63 DIA
19	N12998	1	NUT, HEX BULKHD, 9/16-18 UNF, SAE J514
20	112734W1	1	O-RING, .070 WIDE X .301 ID
21	112735W91	1	RESERVOIR, BRAKE
22	71393695B	1	COVER, RESERVOIR
23	71393694	1	BRACKET, RESERVOIR
	701953	2	SCREW,HEX HD, TAPPING, 5/16-18 X 3/4

GC00318
PR: 82

BRAKE MASTER CYLINDER



9790 COMBINE
CAB

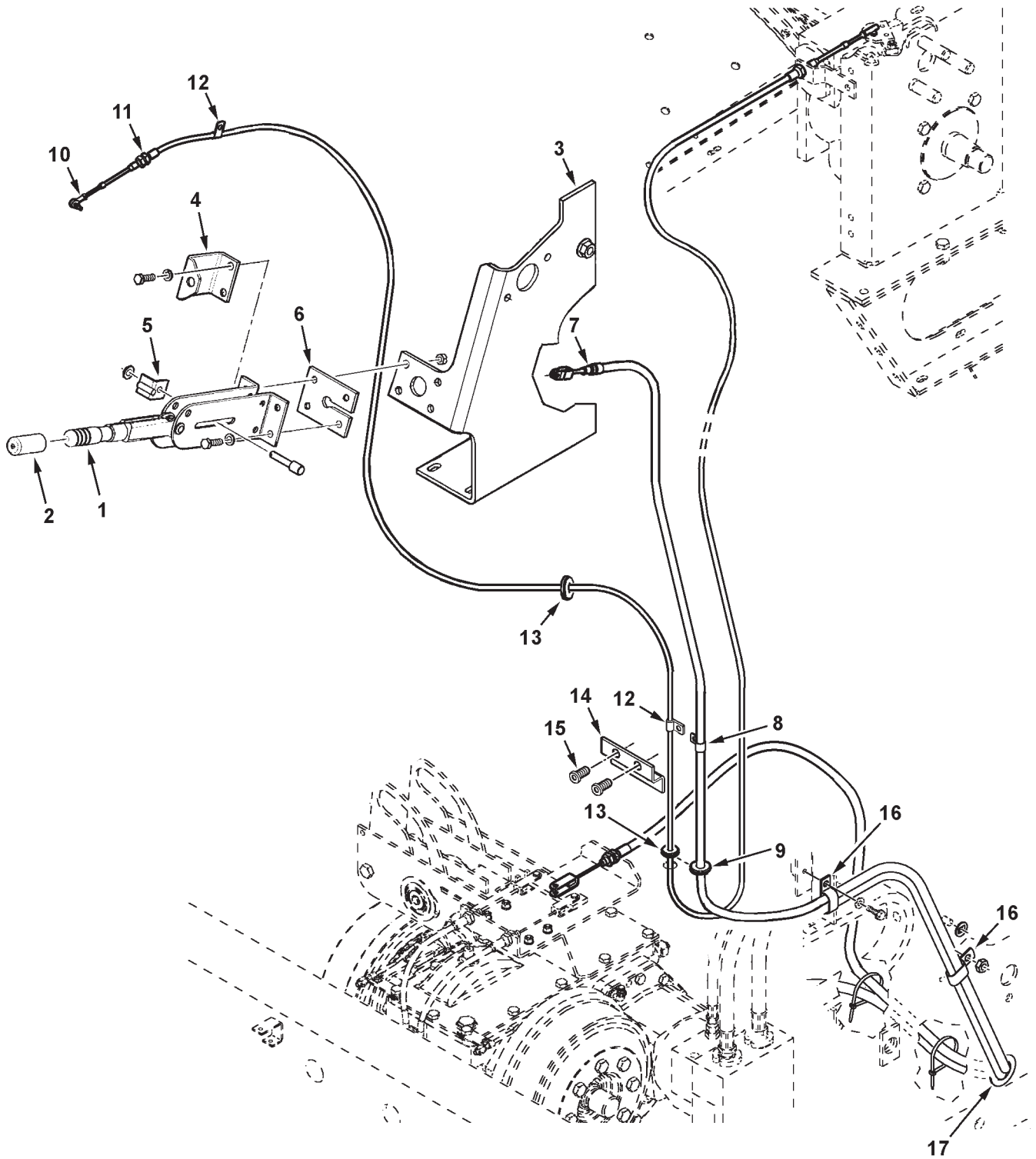
173

BRAKE MASTER CYLINDER

ITEM	NUMBER	QTY	DESCRIPTION
-	71378364	1	MASTER CYLINDER, BRAKE
1	71389509	2	VALVE ASSEMBLY, FAST FILL
2	-----	1	BODY AND TUBE SEAT ASSEMBLY (ORDER BRAKE MASTER CYLINDER)
3	71389511	2	PISTON ASSEMBLY
4	71389512	1	CONNECTOR AND TUBE SEAT ASSEMBLY
5	71389513	2	BLEED SCREW
6	74906743	2	PUSH ROD
7	71389514	2	BOOT
8	71389515	2	RETAINING RING
9	71389516	2	POPPET PACKAGE

MC00218
PR: 84

CONTROL
PARK BRAKE & HYDRO PROPEL CABLE



9790 COMBINE
CAB

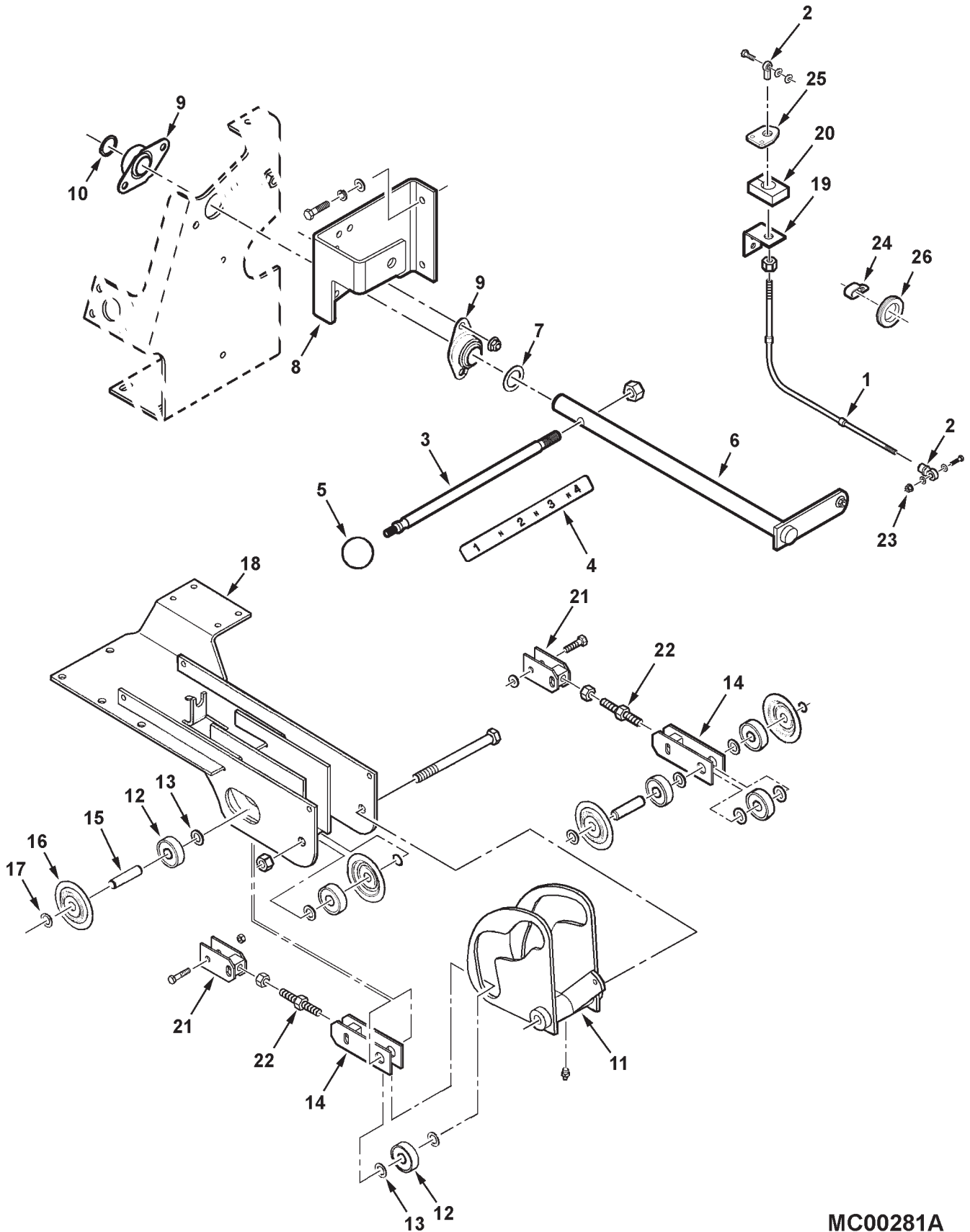
175

CONTROL
PARK BRAKE & HYDRO PROPEL CABLE

ITEM	NUMBER	QTY	DESCRIPTION
1	1774490W91	1	LEVER ASY., PARKING BRAKE
	70921333	4	CAPSCREW, 5/16-18 X 1.0 GR5
	70917356	4	LOCKWASHER, 5/16
	70917372	4	NUT, 5/16-18 REG
2	111711W1	1	HANDLE, GRIP
3	71394796	1	SUPPORT BRKT WLDMT
	70921977	4	CAPSCREW, 5/16-18 X 1-1/4
	Y705608	4	WASHER, 5/16 NARR
4	71394799	1	BRACKET, SWITCH
	71395848	1	SWITCH, PARK BRAKE (NOT ILL.)
5	1791851W91	1	BRACKET WLDMT, PARKING BRAKE
6	71379701	1	PLATE, ANCHOR
7	71394880	1	CABLE ASY., PARK BRAKE
8	70928656	1	CLAMP, CABLE, 5/8 X .406 HOLE
	70921965	1	CAPSCREW, 3/8-16 X 3/4
9	71395753	1	GROMMET
10	71351389	1	JOINT, BALL
	705004	1	LOCKWASHER, #10
	Y704445	1	NUT, #10-32
11	71391303	1	CABLE ASY., HYDRO
	700717644	2	NYLON TIE, .30 X 8.1 LG
12	70929720	2	CLAMP, TUBE, 5/16 X .406 HOLE
	70921965	1	CAPSCREW, 3/8-16 X 3/4
	70931277	1	LOCKNUT, HEX SERR FLANGE, 5/16-18
13	71395752	2	GROMMET
14	71397429	1	BRACKET ASY, CABLE SUPPORT (W/ INSERTS) (PRIOR S/N HP36101)
	Y703132	2	SCR,HEX SERR FLNG, 5/16-18 X 3/4 GR5
15	700725632	2	INSERT, THREADED, 3/8-16
16	70936472	2	CLAMP, DOUBLE, 9/16 DIA X .406 HOLE
	70931942	1	SPEED NUT, PUSH-ON, 3/8
17	8027427	1	GROMMET, 2.0 ID X 2.5 HOLE

MCO0396
PR: 86

CONTROL
GEARSHIFT



**9790 COMBINE
CAB**

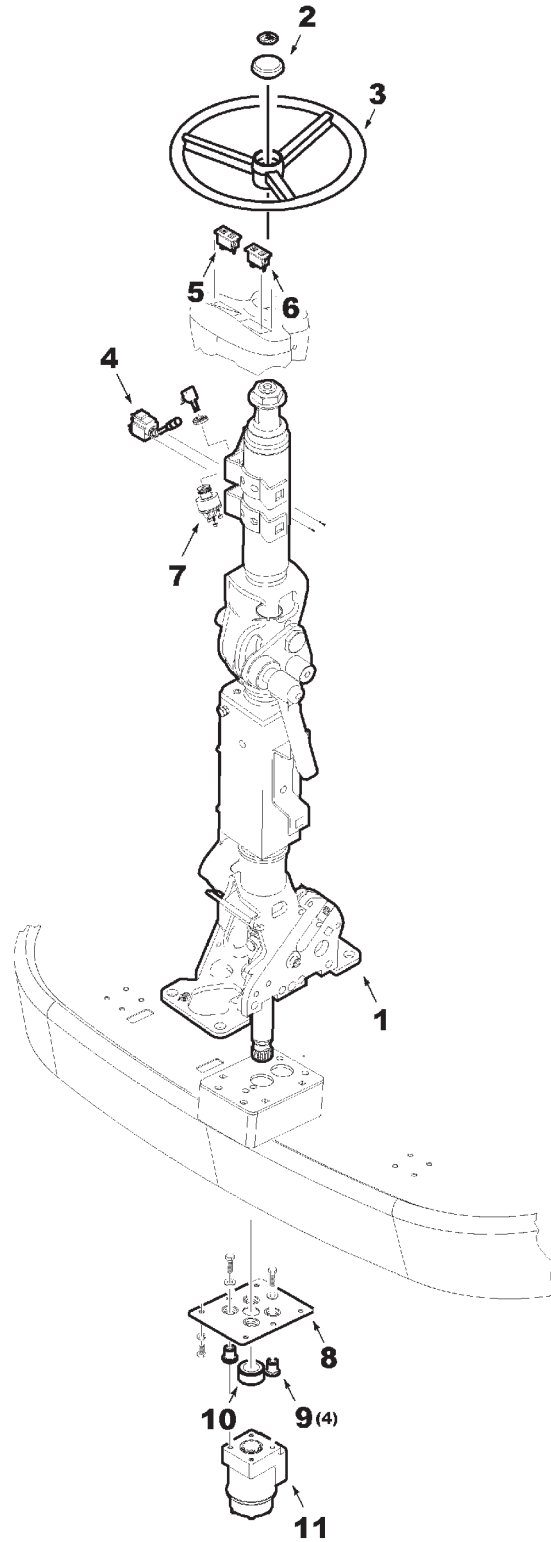
177

**CONTROL
GEARSHIFT**

ITEM	NUMBER	QTY	DESCRIPTION
1	71387205	1	CABLE ASY., SHIFTER
	700717644	2	NYLON TIE, .30 X 8.1 LG
2	700710788	2	BEARING, ROD END
	70921977	2	CAPSCREW, 5/16-18 X 1-1/4 GR5
	Y705525	4	WASHER, HARD, .344 X .688 X 16GA
3	71391515	1	LEVER
	Y704742	1	NUT, HEX FLANGE TOP LOCK, 1/2-13
4	71395770	1	DECAL, SHIFTER
5	71363845	1	KNOB
6	71391516	1	LEVER WLDMT, SHIFT
7	Y52209	1	WASHER, SPL, 1 X 1-1/2 X 18 GUAGE
8	71394795	1	SUPPORT WLDMT, SHAFT (LH)
	70921969	2	CAPSCREW, 3/8-16 X 1-1/2 GR5
	70916965	2	LOCKWASHER, 3/8
	70918266	2	WASHER, 3/8, NARROW
9	71394797	2	BEARING, FLANGE 1.0
	70921210	4	CAPSCREW, 3/8-16 X 1 GR5
	Y704734	4	NUT, HEX FLANGE TOP LOCK, 3/8-16
10	70927738	1	RETAINING RING
11	71387142	1	CAM WELD ASM
	70914465	1	LUBE FTG, STRAIGHT, 1/8-27 NPT
	70926137	1	CAPSCREW, 5/8-11 X 7" GR 5
	70923353	1	NUT, HEX CENTER LOCK, 5/8-11
12	711770	6	BEARING, ROLLER
13	52175	8	WASHER, SPL .62 X 1.0 X 18 GA, NON-PLTD
14	71397262	2	YOKE WLDMT, LONG
	70921221	2	CAPSCREW, 5/16-18 X 1-1/2
	70923362	2	NUT, CENTER LOCK, 5/16-18
15	71393301	2	PIN, SHIFTER
16	71393467	4	CAP, BEARING RETAINER
17	70927103	4	RING, RETAINING
18	71387148	1	BASE WELD ASM, SHIFTER
19	71396393	1	BRKT ASY, SHIFT CABLE(PRIOR S/N HP36101)
	7883333	2	SCREW, HX WSHR HD MACH, 5/16-18 X 1
	70917642	2	WASHER, 5/16, WIDE
20	71396394	1	SEAL, SHIFT CABLE (PRIOR S/N HP36101)
21	71397263	2	YOKE WLDMT, SHORT
22	71397261	2	STUD, YOKE, 3/8-16
	70917421	2	JAM NUT, 3/8-16
23	Y704726	1	NUT, HEX FLANGE TOP LOCK, 5/16-18
24	70936472	2	CLAMP, DOUBLE, 9/16 DIA X .406 HOLE
	70931942	1	SPEED NUT, PUSH-ON, 3/8
25	71406878	1	RETAINER WLMT, CABLE (EFF. S/N HP36101)
	70921210	4	CAPSCREW, 3/8-16 X 1 GR5
26	8027427	1	GROMMET, RUBBER (EFF. S/N HP36101)

MC00281A
PR: 88

CONTROL
STEERING COLUMN



**9790 COMBINE
CAB**

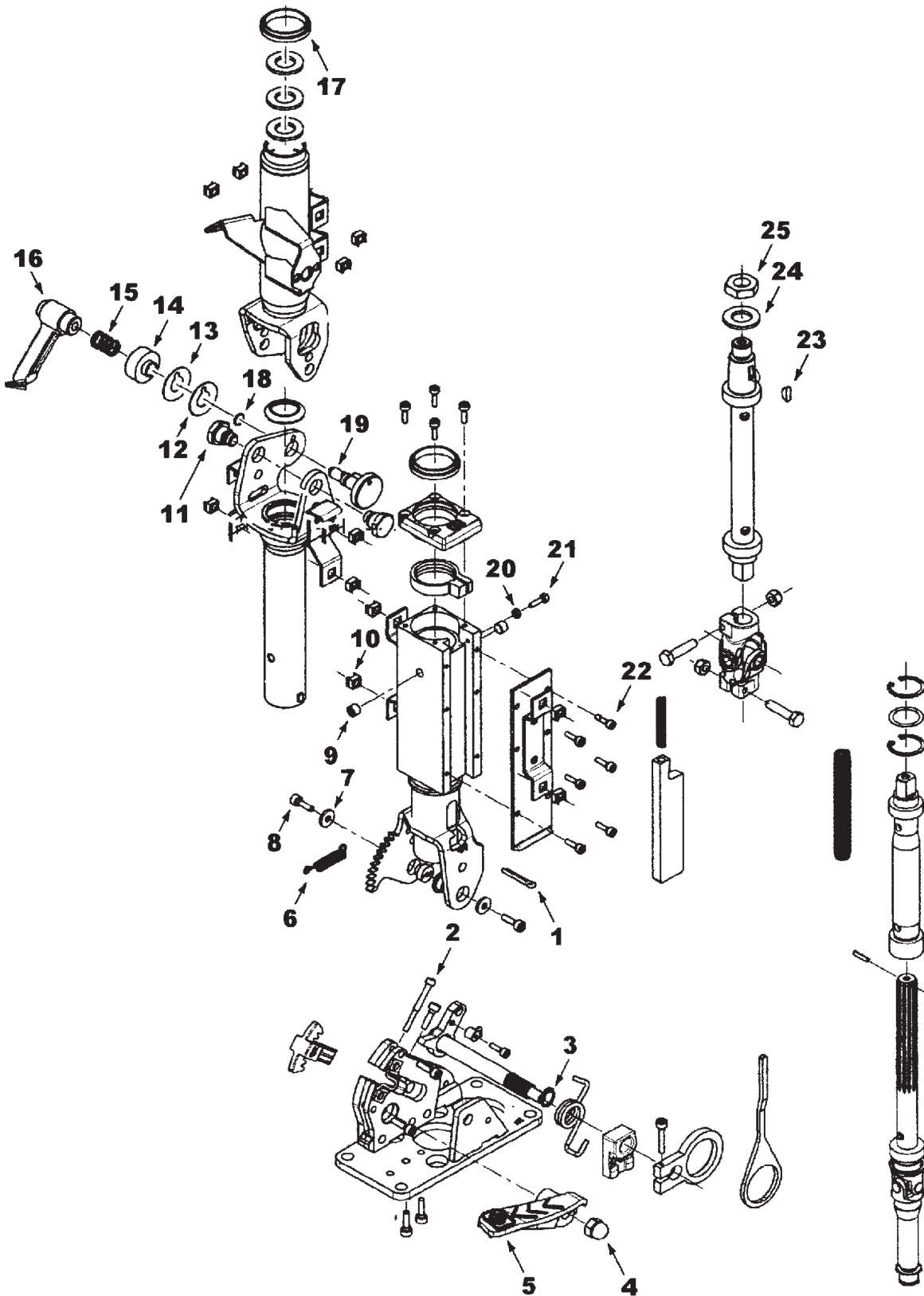
179

**CONTROL
STEERING COLUMN**

ITEM	NUMBER	QTY	DESCRIPTION
1	71407651	1	STEERING COLUMN ASY
	70921969	2	CAPSCREW, 3/8-16 X 1-1/2 GR5
	70916965	4	LOCKWASHER, 3/8
2	71387145	1	CAP, STRG. WHEEL, CENTER
	71395759	1	EMBLEM, MF
3	71387293	1	WHEEL, STEERING (LEATHER WRAPPED)
4	71390314	1	SWITCH, TURN SIGNAL/HORN
	700720909	2	SCREW, PAN HD MACH, M4 X 0.7 X 10
	70923906	2	WASHER, #8, NARROW
5	71393282	1	MODULE, BLINKER/WAIT TO START
6	71393281	1	MODULE, BLINKER/HIGH BEAM
7	700718010	1	SWITCH, IGNITION
	71395761	1	DECAL, IGNITION SWITCH
	71377109	1	KEY, IGNITION, X2
8	71390417	1	PLATE W/A, STRG. CONTROL
	70921965	6	CAPSCREW, 3/8-16 X 3/4
	70916965	6	LOCKWASHER, 3/8
	70920415	4	CAPSCREW, 3/8-16 X 1-1/4
	70917378	4	WASHER, 3/8, WIDE
9	700701287	4	MOUNT, RUBBER
10	72504036	1	SEAL, FOAM RING
11	71392876	1	STEERING CONTROL UNIT (200 CC/REV)
-	71391083	1	SEAL KIT, STRG CONTROL UNIT (NO OTHER SERVICED COMPONENTS)

GC00302
PR: 90

STEERING COLUMN



9790 COMBINE
CAB

181

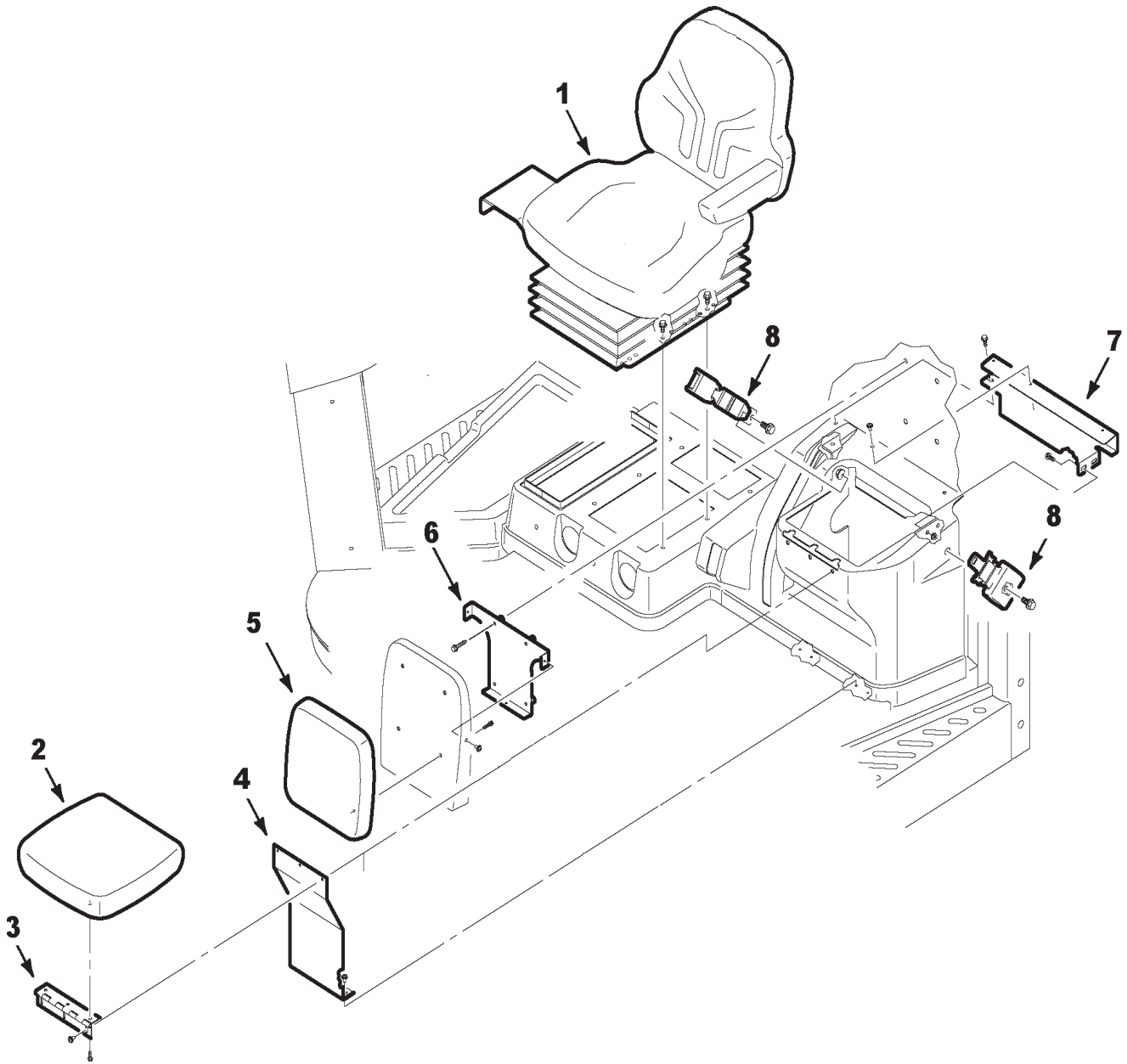
STEERING COLUMN

ITEM	NUMBER	QTY	DESCRIPTION
-	71407651	-	STEERING COLUMN ASY
1	70918459	1	COTTER PIN, 3/16 X 1-1/4
2	71397834	1	CAPSCR, HEX SOC HD, M5-1 X 50
3	71397830	1	RING, RETAINING, EXT.
4	71397550	1	NUT, HEX CAP, M10-1.5
5	71397543	1	PEDAL
6	71397546	1	SPRING, EXTENSION
7	71397827	2	WASHER, FLAT, M6
8	71397828	2	CAPSCR, HEX SOC HD, M6-1 X 18
9	71397833	2	SETSCREW, M10-1 X 8
10	71397829	12	NUT, CAGE, #10-24 (PRIOR S/N HP36101)
	71407652	12	NUT, CAGE, M5 (EFF. S/N HP36101)
	71407653	12	SCREW, M5 X 16, BLACK
11	71397539	2	SCREW, FULCRUM
12	71397544	1	SPACER, 1 MM TH.
13	71397542	1	SPACER, .5 MM TH.
14	71397541	1	RING
15	71397549	1	SPRING, COMPRESSION
16	71397548	1	HANDLE
17	71397545	2	GROMMET, RUBBER
18	71397835	1	O-RING, .344 ID X .070
19	71397547	1	STOP, TILT
20	71397540	1	NUT, HEX, M5-1.5
21	71397836	1	CAPSCREW, HEX, M5-1 X 18
22	71397826	11	CAPSCREW, HEX SOC HD, M5-1 X 16
23	71397831	1	KEY, WOODRUFF, 5 X 6.5 MM
24	700702979	1	WASHER, FLAT, 19 ID X 34 X 3 MM
25	71397832	1	NUT, HEX, M18-1.5

GC00396

PR: 92

SEAT
OPERATOR & INSTRUCTOR



9790 COMBINE
CAB

183

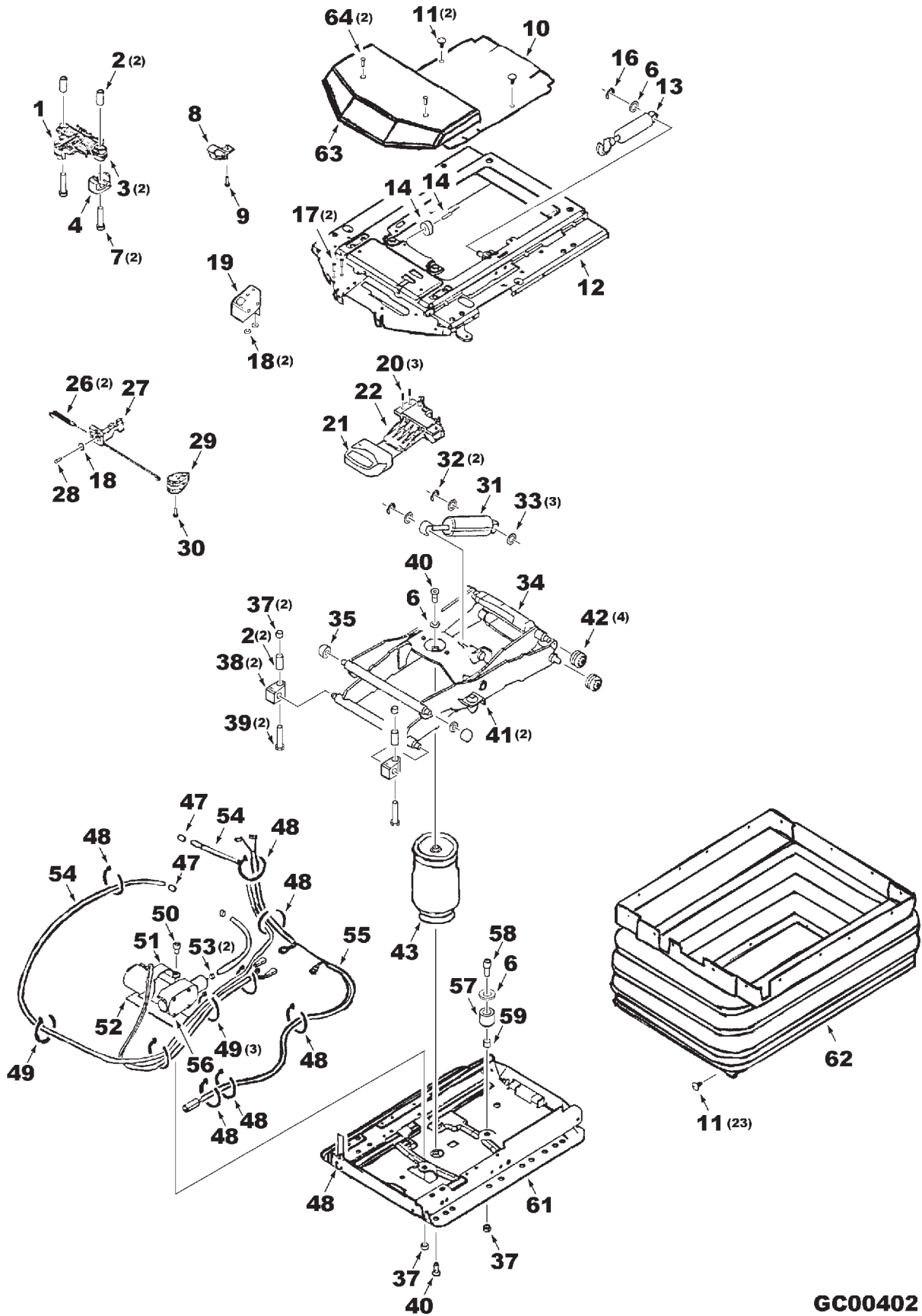
SEAT
OPERATOR & INSTRUCTOR

ITEM	NUMBER	QTY	DESCRIPTION
1	71388178	1	SEAT ASSEMBLY (SEE BREAKDOWN)
	7703432	4	SCREW, HEX SERR FLANGE, 3/8-16 X 3/4
2	71394888	1	CUSHION, INSTRUCTORS SEAT
	7883275	3	MACH SCR, HEX WSHR HD. 1/4-20 X 3/4
3	71394887	1	HINGE, INSTR. SEAT
	70937660	3	SCR, PAN HD, THD TAP'G 1/4-20 X 5/8
4	71394886	1	SUPPORT, INSTR. SEAT FRONT
	70937660	2	SCR, PAN HD, THD TAP'G 1/4-20 X 5/8
5	71394889	1	CUSHION, INSTRUCTORS SEAT BACK
	7883283	4	MACH SCREW, HEX WSHR HD, 1/4-20 X 1
6	71396377	1	BRACKET WLDMT, BACKREST MTG
	7772056	4	SCREW,HX SERR FLANGE,5/16-18 X 1-1/2
7	71394894	1	SUPPORT, INSTR. SEAT REAR
	7883325	3	MACH SCR, HEX WSHR HD. 5/16-18 X 3/4
	70931277	3	LOCKNUT, HEX SERR FLANGE, 5/16-18
	70937660	3	SCR, PAN HD, THD TAP'G 1/4-20 X 5/8
8	72502789	1	SEAT BELT ASY. (INCL. BOTH HALVES)
	7701592	2	SCREW, HEX SERR FLANGE, 1/2-13 X 1

GC00306
PR: 94

9790 COMBINE
CAB

SEAT
BASE & SUSPENSION



**9790 COMBINE
CAB**

185

**SEAT
BASE & SUSPENSION**

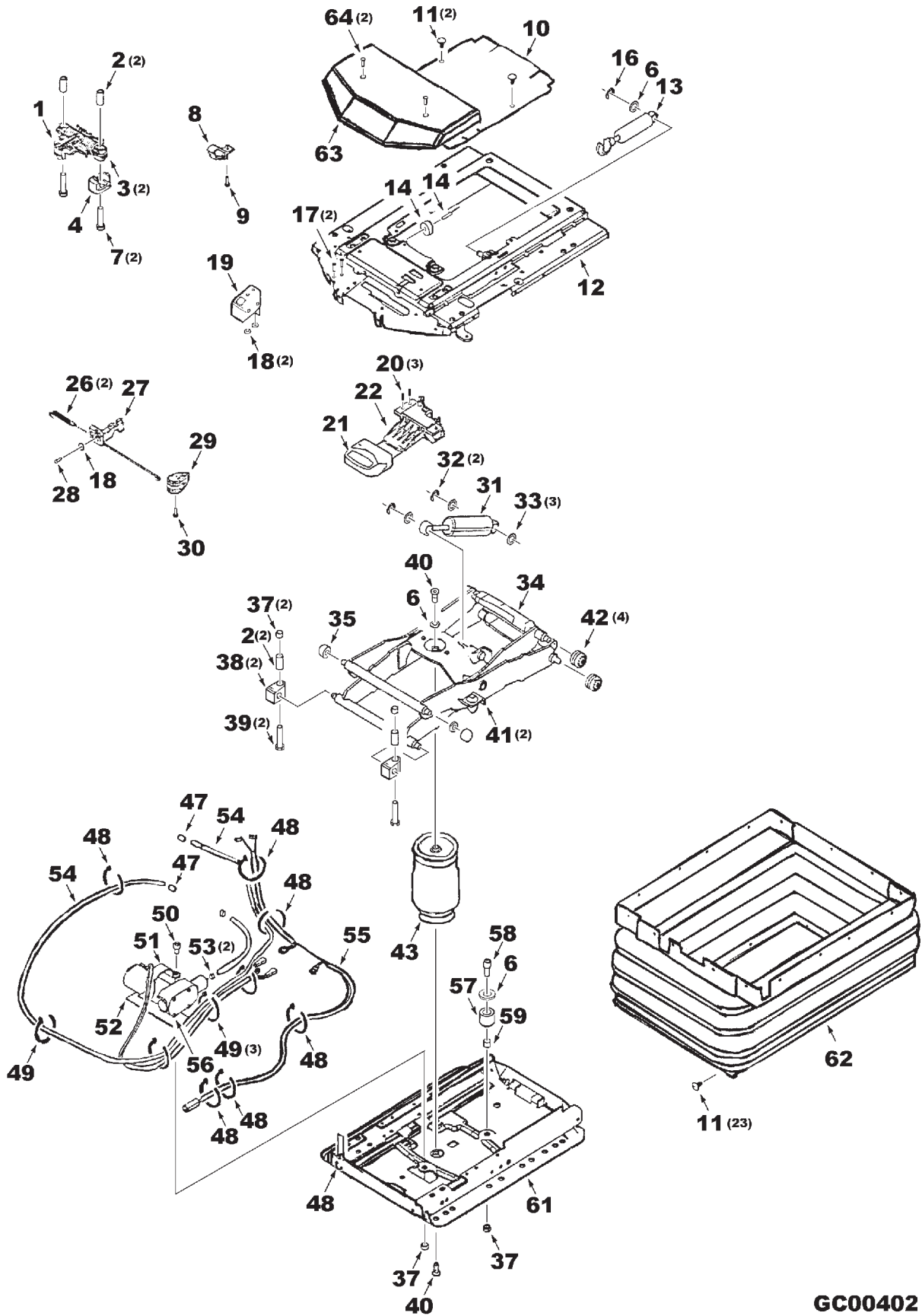
ITEM	NUMBER	QTY	DESCRIPTION
-	71383653	AR	BASE & SUSPENSION ASY., COMPLETE
1	72504803	1	KIT, ISOLATOR, HORIZ, (INCL. ITEMS 2, 3, 4, 7, 9, 11, 14, 35)
2	72504802	4	TUBE
3	72504775	2	BUSHING
4	72504804	1	BUMPER
6	390972X1	3	WASHER, 8.4-HV140
7	7772361	2	SCREW, M8-1.25 X 35
8	72504791	2	KIT, STOP (INCL ITEMS 9, 11)
9	72504792	2	RIVET, 4 X 16.9MM
10	72514069	1	COVER
11	71306949	25	PLUG, RETAINER
12	71398172	1	KIT, SUSPENSION UPPER (INCL ITEMS 9, 11, 14, 18, 19, 26-29, 35, 42)
13	700725845	1	KIT, SHOCK ABSORBER (INCL ITEMS 6,11,16)
14	72504785	1	KIT, BUMPER & RIVET
16	72504740	1	CLIP RING, RETAINING
17	72514052	2	RIVET, 4 X 12MM
18	72504786	3	WASHER, 4.3-HV140
19	71398174	1	KIT, LEVEL CONTROL (INCL. 11, 17, 18)
20	71398175	3	SCREW, M5 X 16
21	700725844	1	HANDLE
22	72514061	1	KIT, OPERATION (INCL ITEMS 11, 20, 21)
26	3903044M1	2	SPRING, TENSION
27	72514070	1	KIT, LEVER, LOCKING (INCL ITEM 11)
28	71398726	1	SCREW, M3.5 X 12
29	AG132254	1	HANDLE
30	72514066	1	SCREW, M4 X 14
31	700725843	1	KIT, SHOCK ABSORBER (INCL ITEMS 5, 11, 32, 33)
32	72504812	4	CLIP RING, RETAINING
33	72504776	3	WASHER, 13MM
34	71398727	1	KIT, SWING ARM (INCL ITEMS 2, 6, 9, 11, 35, 37, 38, 40-42, 48-50)
35	71401534	2	ROLLER
37	71383667	4	NUT, M8-SI
38	72504809	2	BEARING
39	72504808	2	SCREW
40	72504811	2	SCREW, M8 X 20 TORX
41	70263605	2	BUMPER
42	72504810	4	ROLLER
43	700724622	1	KIT, AIR SPRING (INCL ITEMS 6, 11, 40, 47, 48, 53)
47	700725840	2	NIPPLE, HOSE
48	70932747	7	TIE, BLACK NYLON, SELF-LOCK .10 X 4.0
49	70925094	4	TIE, BLACK NYLON, SELF-LOCK .18 X 7.3
50	1112299	1	SCREW, M8 X 12

CONTINUED

GC00402
PR: 96

9790 COMBINE
CAB

SEAT
BASE & SUSPENSION



9790 COMBINE
CAB

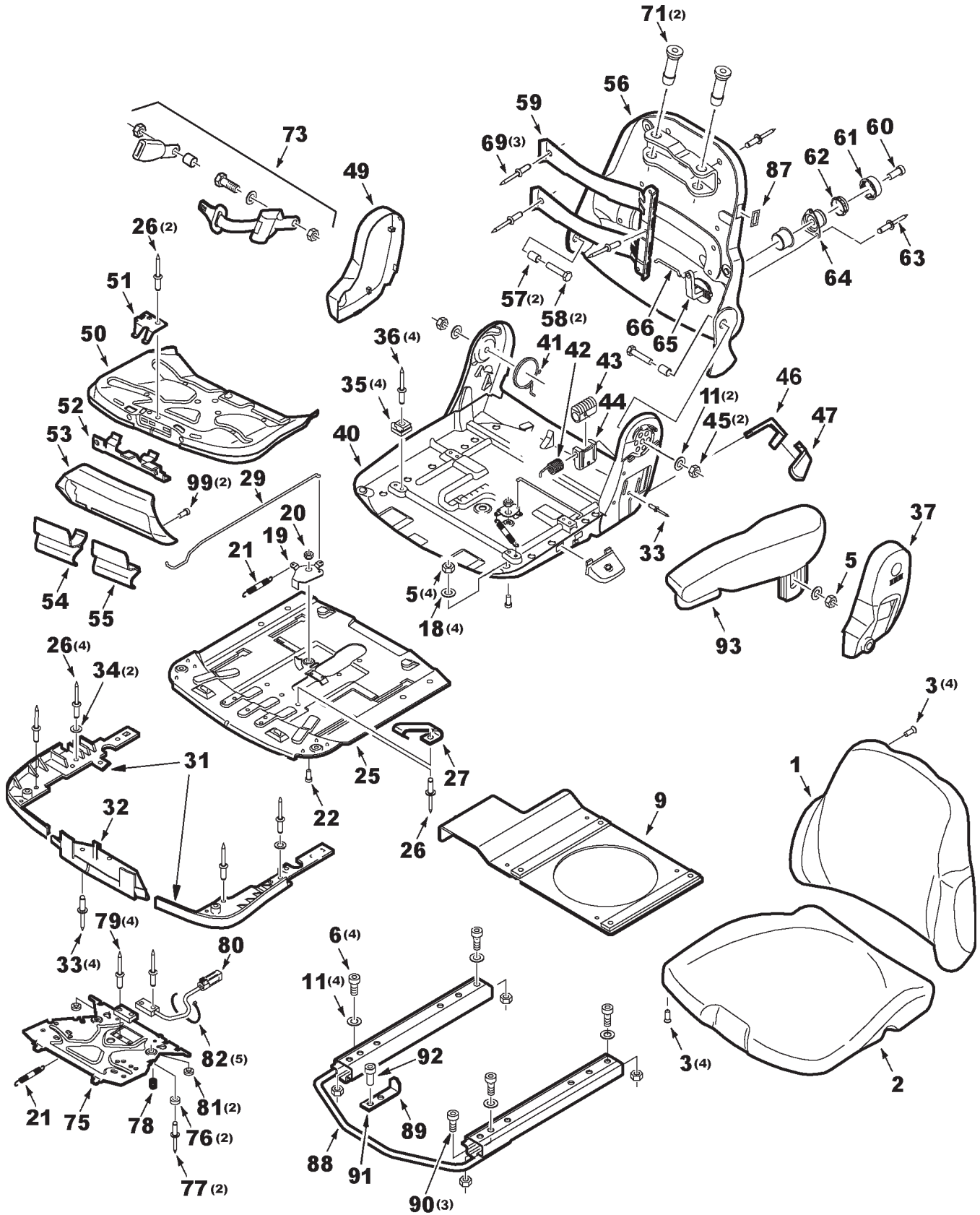
187

SEAT
BASE & SUSPENSION

ITEM	NUMBER	QTY	DESCRIPTION
51	72511891	1	BRACKET
52	72504762	1	PLATE
53	700725837	2	CLAMP, HOSE
54	700724623	1	KIT, AIR TUBE (REPAIR AIR LINES BETWEEN COMPRESSOR & AIR SPRING)
55	700725836	1	KIT, CABLE, CONNECTING (INCL ITEMS 11, 48, 49)
56	700728301	1	KIT, COMPRESSOR (INCL ITEMS 11,37,48-53)
57	72514067	1	KIT, BUMPER (INCLS ITEMS 6, 11, 37, 58, 59)
58	72514054	1	SCREW, M8 X 20
59	72514053	1	TUBE
61	71398728	1	KIT, SUSPENSION, LOWER (INCL ITEMS 2,11, 37-40, 42, 48-50, 57)
62	71383661	1	KIT, BELLOWS (INCL ITEM 11)
63	71383662	1	KIT, COVER (INCL ITEM 64)
64	2813878M1	2	RIVET, 4.8 X 10.3
-	71398173	1	KIT, WEAR PARTS (INCL. 2, 4, 9, 11, 14, 35, 38, 40-42, 48-50, 53 & 57)

GC00402
PR: 96

SEAT
CUSHION AND BACKREST



9790 COMBINE
CAB

189

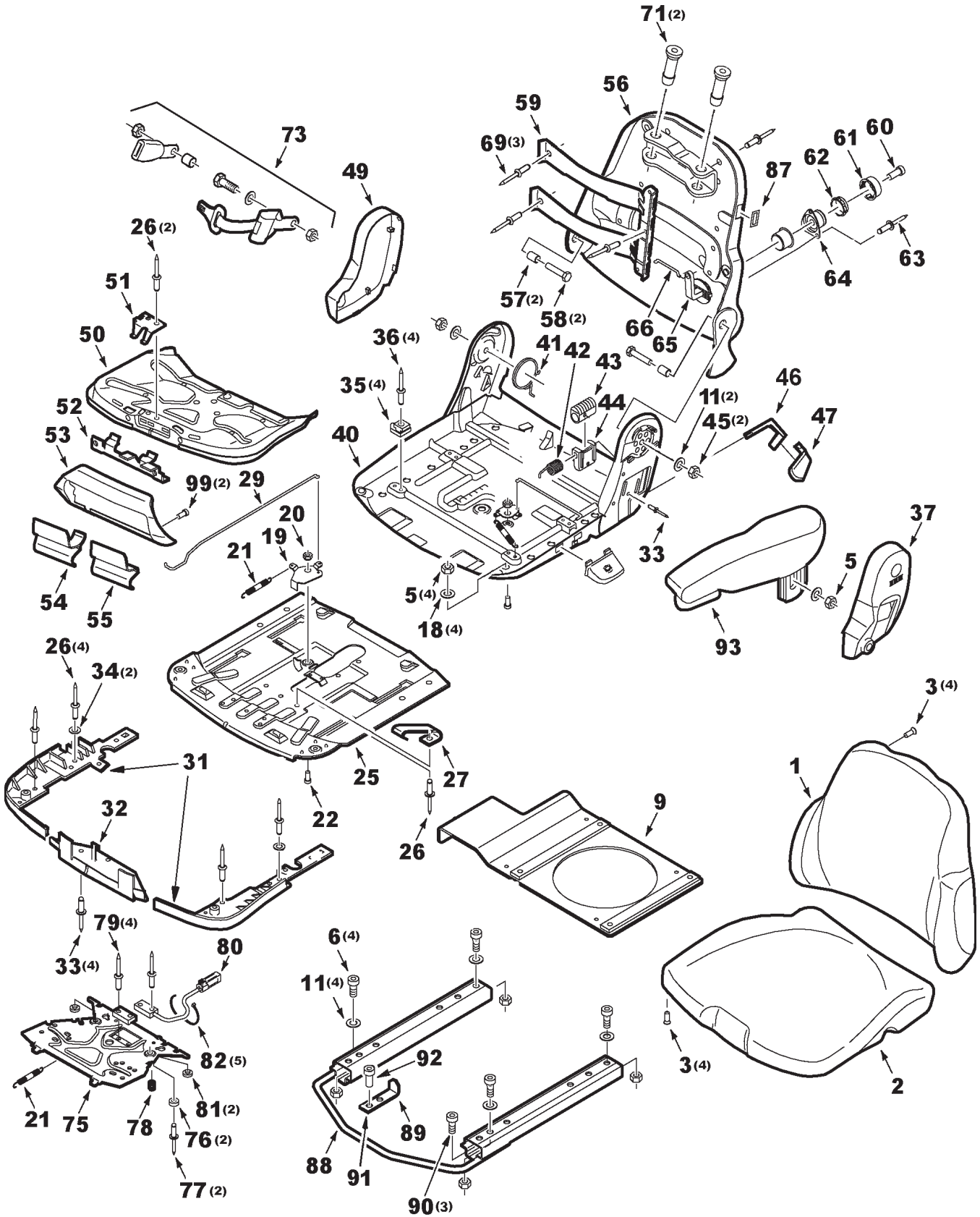
SEAT
CUSHION AND BACKREST

ITEM	NUMBER	QTY	DESCRIPTION
1	700725806	1	KIT, BACKREST CUSHION (INCL ITEM 3)
2	71398730	1	KIT, SEAT CUSHION (INCL ITEM 3)
3	71398731	8	SCREW, M5 X 25
5	72513700	5	NUT, M8
6	71383673	4	SCREW, M8 X 25
9	71388157	1	PLATE WLDMT, CONSOLE SUPPORT
11	391039X1	4	WASHER M8 WIDE, 9.0MM X 24 X 1.82 TH
18	390972X1	4	WASHER M8 STD, 9.0MM X 17 X 1.36 TH
19	71400508	1	KIT, LEVER, DEPTH ADJUST (INCL ITEMS 20, 21, 22)
20	71400509	1	BUSHING
21	700725810	2	SPRING, EXTENSION
22	71400510	1	SCREW, M8 X 12
25	71398733	1	KIT, PLATE FOR SEAT DEPTH
26	72514076	7	RIVET, 4 X 8
27	71398734	1	BRACKET, SPRING
29	71398735	1	ROD, ADJUSTER
31	71398736	1	KIT, SEAT ANGLE COVERS(INCL ITEMS 26,34)
32	71398737	1	KIT, BRACKET (INCL ITEM 33)
33	71398740	5	RIVET, 6 X 12
34	72504786	2	WASHER, 4.3MM
35	71398738	4	GLIDE
36	71398739	4	RIVET, 4 X 16
37	71398741	1	COVER, ARMREST
40	71398742	1	KIT, SEAT PAN (INCL ITEMS 11, 33, 35, 36, 45, 57, 58)
41	71398743	1	SPRING, TORSION
42	71398744	1	SPRING, SPIRAL
43	71398746	1	WORM GEAR
44	71398745	1	KIT, BEARING (INCL ITEMS 33, 43)
45	71383667	2	NUT, M8
46	-----	1	KIT, BACKREST TILT LEVER (INCL ITEMS 33, 47)(NOT AVLBL AT TIME OF PRINT)
47	-----	1	KNOB (NOT AVAILABLE AT TIME OF PRINTING)
49	71398749	1	COVER, ARMREST
50	71398750	1	KIT, SEAT ANGLE ADJUST(INCL ITEMS 3, 51)
51	71398777	1	BRACKET, SPRING
52	71398778	1	LATCH
53	71398779	1	KIT, COVER, FORE & AFT (INCL ITEM 99)
54	71398780	1	KIT, HANDLE, SEAT DEPTH (INCL ITEM 29)
55	71398781	1	HANDLE
56	71398782	1	BACKREST ASY
57	71398783	2	TUBE
58	71398784	2	SCREW, M8 X 40
59	71398786	1	KIT, LUMBAR SUPPORT (INCL ITEMS 60-69)
60	71398785	1	SCREW, M6 X 10

CONTINUED

GC00403
PR: 100

SEAT
CUSHION AND BACKREST



9790 COMBINE
CAB

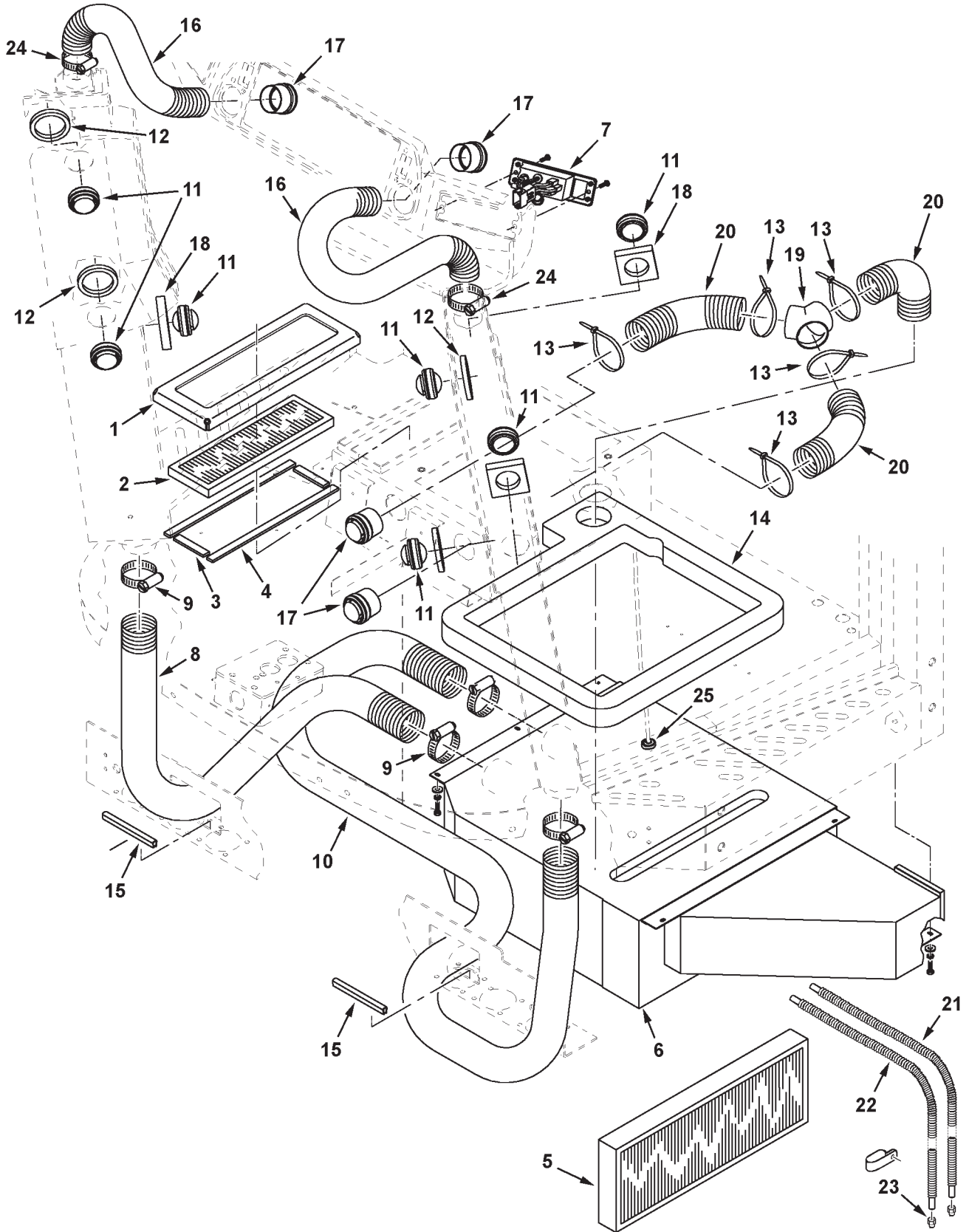
191

SEAT
CUSHION AND BACKREST

ITEM	NUMBER	QTY	DESCRIPTION
61	71398787	1	KIT, HANDLE, LUMBAR ADJ (INCL ITEM 60)
62	71398788	1	WHEEL, TOOTHED
63	71398789	3	RIVET, 3.2 X 8
64	71398790	1	SLING, SPRING BRAKE
65	71398791	1	CARRIER
66	71398792	1	ROD, LINK
69	71398795	3	RIVET, 4 X 8
71	71398796	2	BUSHING
73	700725833	1	SEAT BELT ASY
75	700725871	1	KIT, OPERATOR PRESENCE SWITCH MTG (INCL ITEMS 21, 76, 77, 78, 80, 81)
76	-----	2	SPACER (NOT SERVICED SEPARATELY)
77	-----	2	RIVET (NOT SERVICED SEPARATELY)
78	71398798	2	SPRING, COMPRESSION
79	71398799	4	RIVET, 3.2 X 14
80	71398800	1	KIT, SWITCH (INCL ITEMS 79, 82)
81	72272098	2	GROMMET
82	70932747	5	TIE, BLACK NYLON, SELF-LOCK .10 X 4.0
87	71398801	1	COVER
88	71398802	1	RAIL ASY, ADJUSTMENT
89	71398732	1	KIT, ADJUSTMENT RAIL MOUNTING (INCLUDES ITEMS 90, 91, 92)
90	72514055	3	SCREW, M8 X 16
91	71398803	1	ANGLE
92	391148X1	1	CAPSCREW, HEX SOCKET HD, M8 X 20 CL8.8
93	71398804	1	ARMREST ASY
99	71398175	2	SCREW, M5 X 16

GC00403
PR: 100

HVAC
PRESSURIZER UNIT & DUCTING



9790 COMBINE
CAB

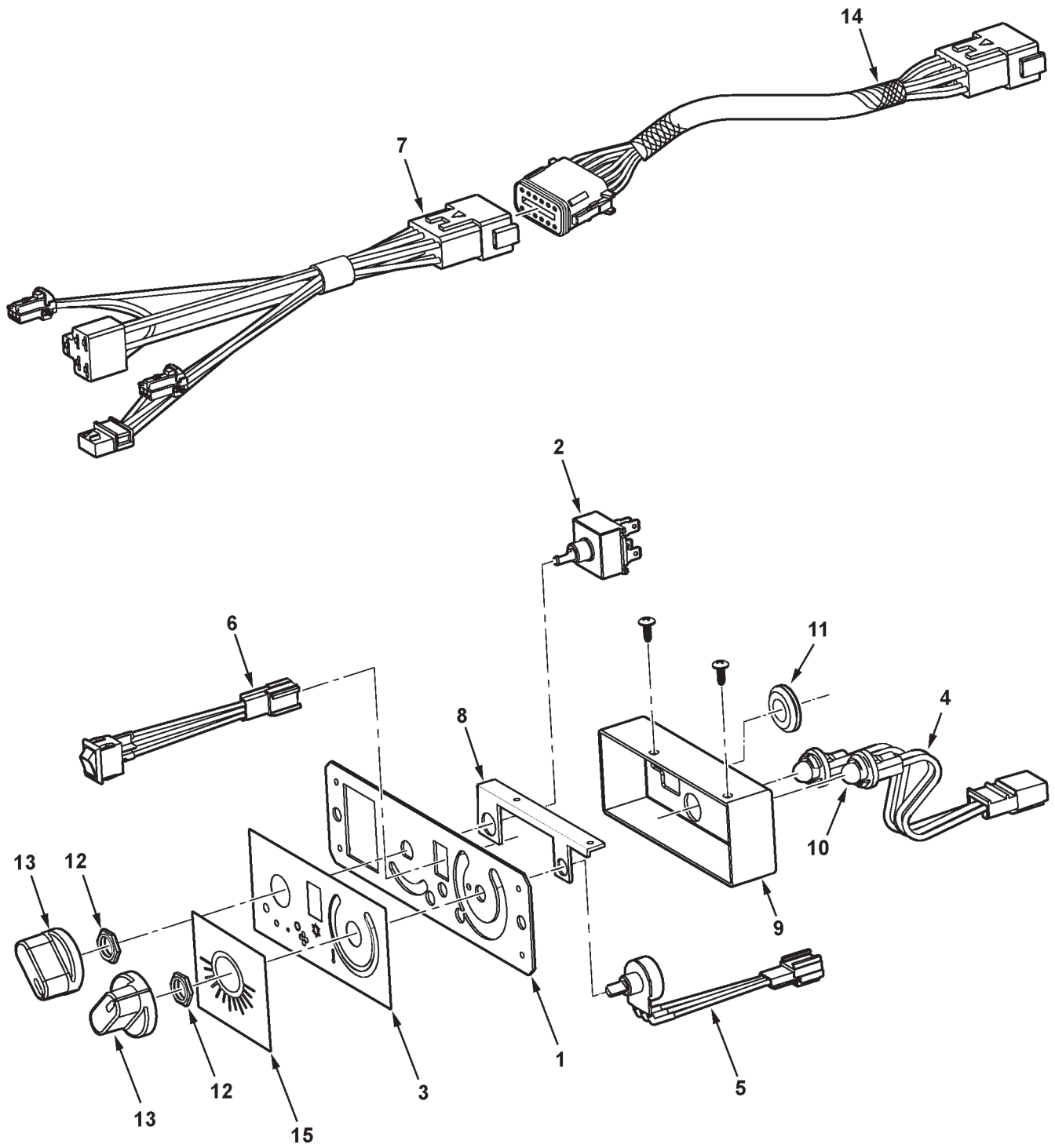
193

HVAC
PRESSURIZER UNIT & DUCTING

ITEM	NUMBER	QTY	DESCRIPTION
1	71393463	1	RETAINER, FILTER
2	71391153	1	AIR FILTER
3	71393620	2	SEAL, AIR FILTER (SHORT)
4	71393619	2	SEAL, AIR FILTER (LONG)
5	71393893	1	AIR FILTER
6	-----	1	HVAC ASY. (SEE BREAKDOWN) (REQUIRES ITEM 14 & 71408216 ASSEMBLY INSTR, PRIOR S/N HP36101)
	70921333	6	CAPSCREW, 5/16-18 X 1.0
	70917356	6	LOCKWASHER, 5/16
	700709602	6	WASHER, 5/16
7	71409581	1	CONTROL PANEL ASY. (SEE BREAKDOWN)
	7703457	2	CAPSCREW, 1/4-20 X 3/4 GR5
8	71393949	1	HOSE, FLEX AIR
9	70936813	4	CLAMP, HOSE
10	71393948	1	HOSE, FLEX AIR
11	72161024	7	LOUVER ASY., BALL
12	71393617	4	SEAL, DEFROST LOUVER
13	3619622M1	5	TIE, NYLON
14	71401526	1	SEAL (EFF. S/N HP36101)
	71393551	AR	ADHESIVE SPRAY
15	71387797	2	TRIM, EDGE PROTECTOR (EFF. S/N HP36101)
16	71393950	2	HOSE, FLEX AIR
17	71388188	4	LOUVER ASY., BALL
18	71393616	3	SEAL, A/C LOUVER
19	71391175	1	CONNECTOR, HOSE "Y"
20	71391322	3	HOSE, FLEX AIR
21	71396381	1	HOSE, DRAIN, 88" LONG
22	71396382	1	HOSE, DRAIN, 108" LONG
	700717644	3	TIE, NYLON
	70928148	1	CLAMP, DBL, 3/4 DIA X .406 HOLE
23	71396390	2	RESTRICTOR, DRAIN
24	7720063	2	CLAMP, HOSE
25	700728474	2	GROMMET, .109 ID (EFF. S/N HS36101)
-	71400513	-	KIT, HVAC HI-SPEED BLOWER PERF UPGRADE (APPLIES TO S/N HM36101 THRU HM36162) (INCLUDES FOLLOWING)
-	71400520	1	WIRE HARNESS ASY, W/FUSE
-	70937609	AR	MINI FUSE, 25 AMP
-	71398820	1	RELAY
-	71400522	1	GROMMET, 3/8 ID X 5/8 PANEL DIA
-	71400521	1	PLATE, RESTRICTOR
-	71400523	5	SCREW, HX SERR WSHR HD, #10-16 X 1/2
-	70925094	10	TIE, BLACK NYLON, SELF-LOCK .18 X 7.3

GC00319
PR: 104

HVAC
CONTROL PANEL
(PRIOR S/N HS36---)



**9790 COMBINE
CAB**

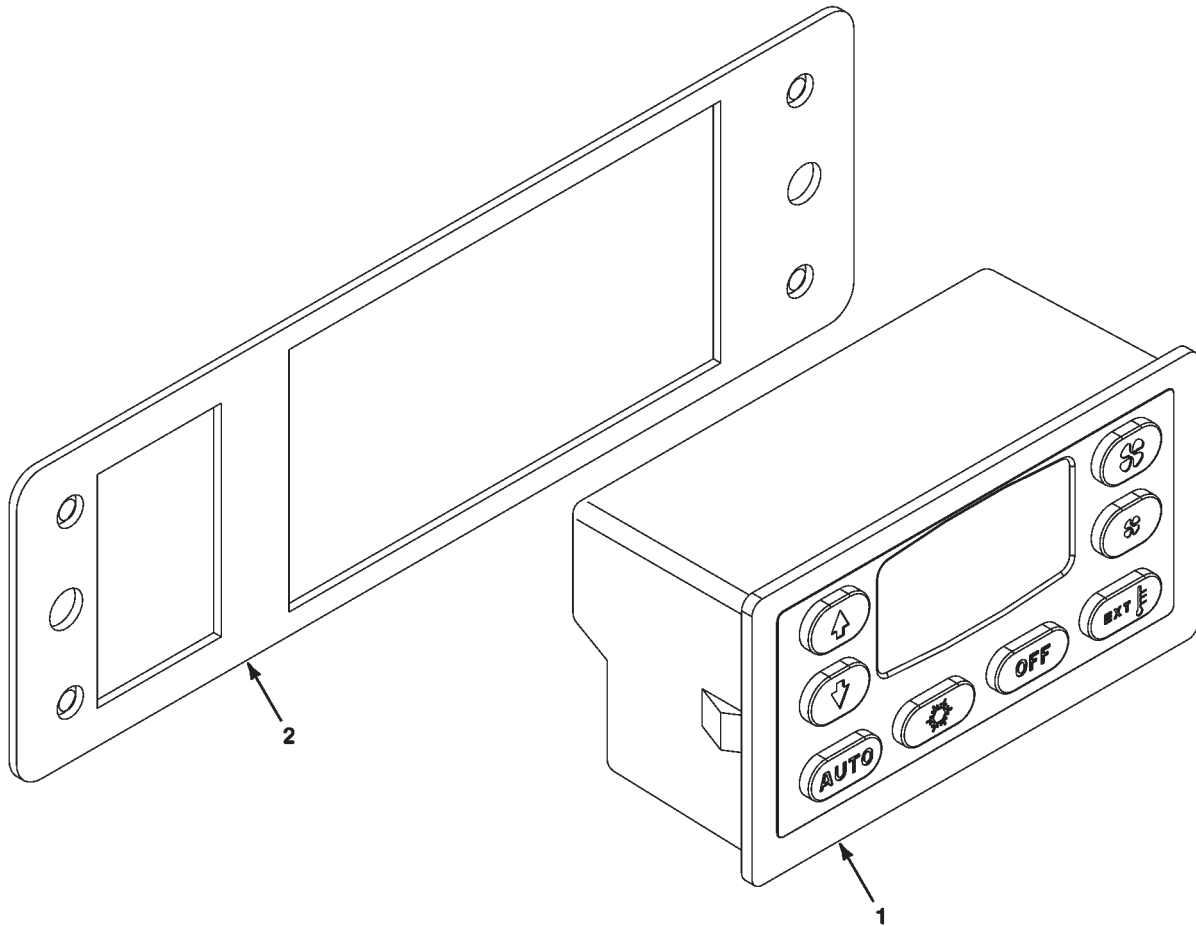
195

**HVAC
CONTROL PANEL
(PRIOR S/N HS36--)**

ITEM	NUMBER	QTY	DESCRIPTION
-	71409581	1	CONTROL PANEL ASY. (INCL. ITEMS 1-13)
-	71395763	1	BEZEL, HVAC (MANUAL ADJ. MIRRORS)(PRIOR S/N HP36101)(NOT ILLUS.)(ALSO SEE MIRRORS)
-	71393943	1	BEZEL, HVAC (REMOTE ADJUST MIRRORS) (NOT ILLUSTRATED)(ALSO SEE MIRRORS)
1	71397433	1	CONTROL HOUSING ASY
2	71397432	1	SWITCH, BLOWER
3	71409582	1	DECAL, CONTROL PANEL
4	71397434	1	SOCKET ASY. LAMP
5	71401548	1	POTENTIOMETER, HEATER CONTROL
6	71397438	1	SWITCH, A/C
7	71397439	1	WIRE HARNESS
8	71397440	2	BRACKET, LIGHT BOX
9	71397437	1	LIGHT BOX
	71373144	2	SCREW, #8-18 X 1/2
10	71397443	2	BULB, LIGHT
11	71397441	1	GROMMET, RUBBER
12	71373145	2	NUT
13	71397436	2	KNOB, CONTROL
14	71410922	1	HARNESS, A/C JUMPER (PRIOR S/N HR36--)
15	71408221	1	DECAL, OVERLAY, A/C
-	700525400	AR	KIT, ADJUSTABLE THERMOSTAT (APPLIES TO S/N'S HM,HN,HP,& HR) (FIELD INSTALL) INCLUDES FOLLOWING:
	700164650	1	MOUNTING BRKT
	700728631	1	DECAL, THERMOSTAT
	700728473	1	THERMOSTAT COVER
	700728714	1	CONTROL KNOB
	7703457	1	CAPSCREW, 1/4-20 X 3/4 GR5
	700725633	1	INSERT, THREADED, 1/4-20
	700728845	1	PACKGE, ADJ THERMOSTAT & WATER VALVE
	700728474	2	GROMMET, .109 ID X 5/16 PANEL HOLE
	727693	2	GROMMET, 1/4 ID X 3/8 PANEL HOLE
	71413084	1	WIRE ASY, HVAC JUMPER
	70937660	1	SCREW,PAN HD TAPPING, 1/4-20 X 5/8

GC00314
PR: 106

HVAC CONTROL PANEL
(EFF. S/N HS36101)



**9790 COMBINE
CAB**

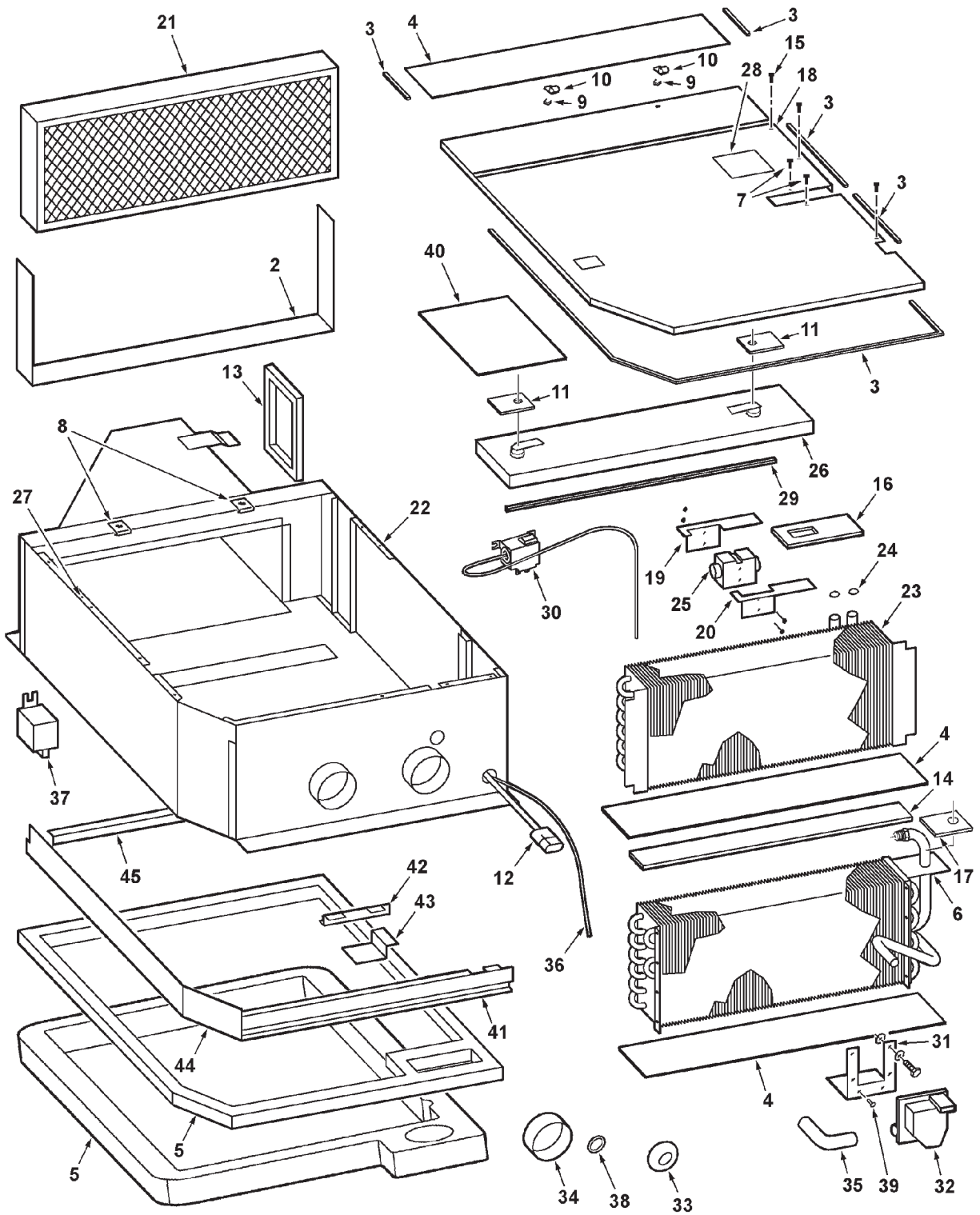
197

**HVAC CONTROL PANEL
(EFF. S/N HS36101)**

ITEM	NUMBER	QTY	DESCRIPTION
1	71418427	1	MODULE-AUTO TEMP CONTROL
2	71413067	1	PLATE-MOUNTING, HVAC

MC00570
PR: t07a23o20b0002

HVAC PRESSURIZER UNIT
EVANS-TEMPCON
(PRIOR S/N HS36--)



**9790 COMBINE
CAB**

199

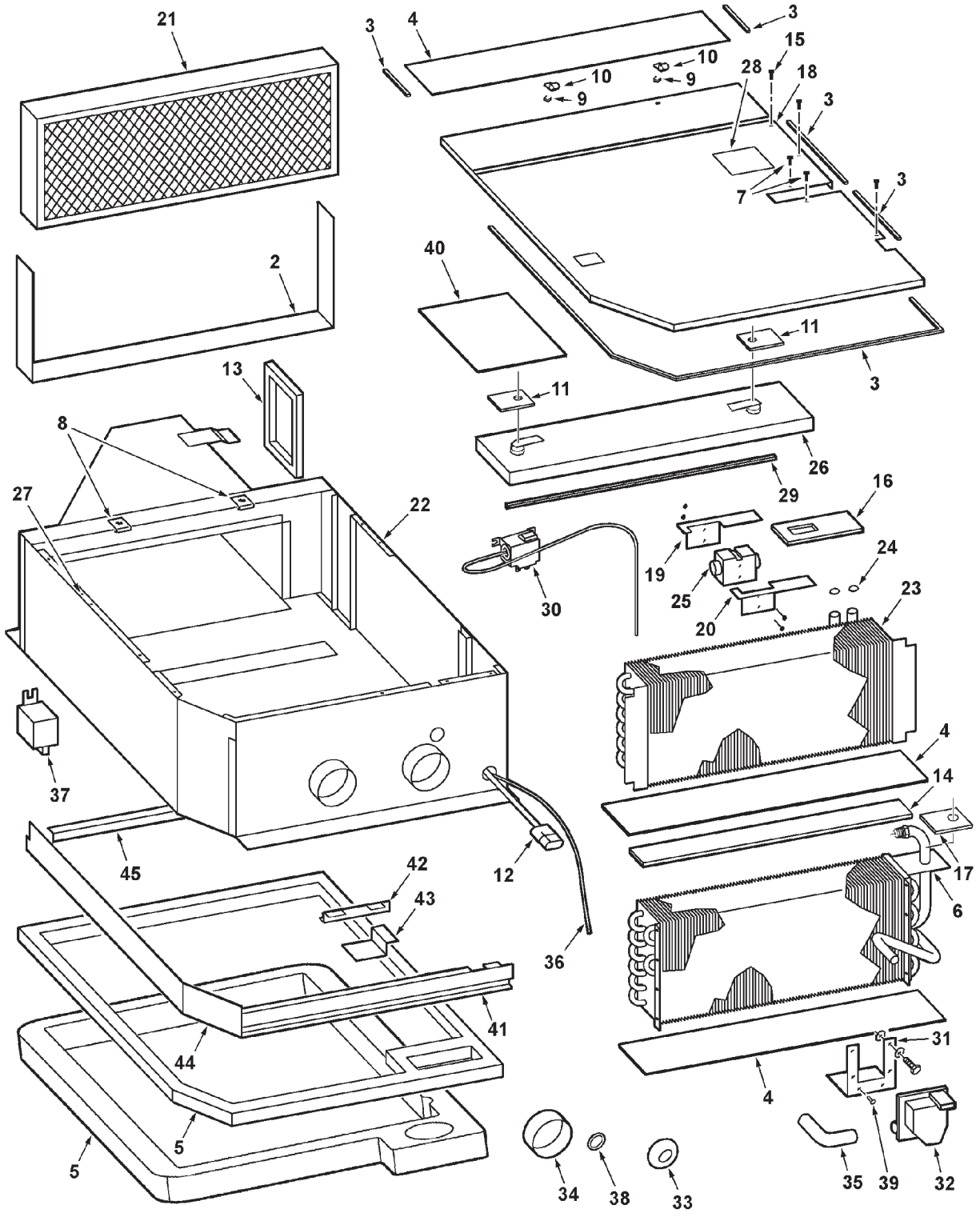
**HVAC PRESSURIZER UNIT
EVANS-TEMPCON
(PRIOR S/N HS36---)**

ITEM	NUMBER	QTY	DESCRIPTION
-	71408222	1	HVAC ASY. (PRIOR S/N HR36221)
-	700728713	1	HVAC ASY. (EFF. S/N HR36221) (INCLUDES FOLLOWING)
2	71371331	1	TAPE, FOAM 1/4 X 1-1/2 (3.50 FT)
3	71397934	1	TAPE, FOAM, 1/4 X 1/2
4	71371333	1	TAPE, FOAM 1/8 X 3-7/8 (6.0 FT)
5	71401530	1	TAPE, FOAM 1" X 1-1/8" (8.67 FT)(PRIOR S/N HP36101)
	71401526	1	SEAL (EFF. S/N HP36101) (NOT INCLUDED IN A/C & HTR ASY)
6	71397445	1	HEATER CORE (PRIOR S/N HN36...)
	71401546	1	HEATER CORE (EFF. S/N HN36...)
7	71400523	2	SCREW, #10, SELF DRILLING
8	71371336	2	RECEPTACLE, CLIP-ON, #5 STUD
9	71384272	2	RETAINER, PUSH ON
10	71371338	2	FASTENER, 1/4 TURN
11	71397444	2	SEAL, DRAIN TUBE
12	71397446	1	HARNESS, WIRING
13	71397447	1	GASKET, FRESH AIR
14	71384552	1	FOAM TAPE, 3/8 X 2 (21.62" LG)
15	71373146	10	SCREW, SELF TAPPING, #10-24
16	71371343	1	SEAL, EXPANSION VALVE
17	71397449	1	SEAL, HEATER TUBES
18	71408215	1	COVER & FILTER DOOR ASY. (INCL. TAPE & POP-RIVETS)
	70924947	5	POP-RIVET, 1/8 X .251-.312
19	71371346	1	BRACKET, EXPANSION VALVE, R.H.
20	71371347	1	BRACKET, EXPANSION VALVE, L.H.
	353509X1	2	BOLT, 1/4-28 X 1-1/2
	70930760	2	NUT, LOCK, 1/4-28
21	71393893	1	FILTER, AIR
22	71406891	1	CASE ASY (INCL. ITEMS 2,4,8,13,27,33, 34 & 38)(CASE WLMT NOT SERVICE)
	700728745	1	CASE WLMT(EFF. S/N HR36221 THRU HS36---)
23	71371349	1	EVAPORATOR ASY. (INCL. ITEMS 24 & 25) (PRIOR S/N HN36...)
	71373126	1	EVAPORATOR UNIT (PRIOR S/N HN36)
	71401545	1	EVAPORATOR ASY. (INCL. ITEMS 24 & 25) (EFF. S/N HN36...)(SEE * NOTE)
24	70937295	2	O-RING, #8, R134a
25	71373127	1	VALVE, EXPANSION (REQUIRES SEAL IT. 16)
26	71397926	1	PAN ASY., DRAIN
27	70937424	10	NUT, SPEED
28	71397927	1	LABEL, WARNING, R134a
29	71397448	1	FOAM SEAL, 1/4 X 1/2 (DRAIN PAN)
30	71397929	1	THERMOSTAT, COLD CONTROL (PRIOR HR36221)
31	71397933	1	BRACKET, WATER VALVE
32	71408211	1	WATER VALVE ASY, (PRIOR S/N HR36221)
	700728746	1	WATER VALVE ASY, (EFF. S/N HR36221)
	70921959	4	CAPSCREW, 1/4-20 X 5/8
	70926622	4	HEXNUT, 1/4-20
33	71397932	1	GROMMET, WIRE

CONTINUED

GC00410
PR: 108

HVAC PRESSURIZER UNIT
EVANS-TEMPCON
(PRIOR S/N HS36--)



**9790 COMBINE
CAB**

201

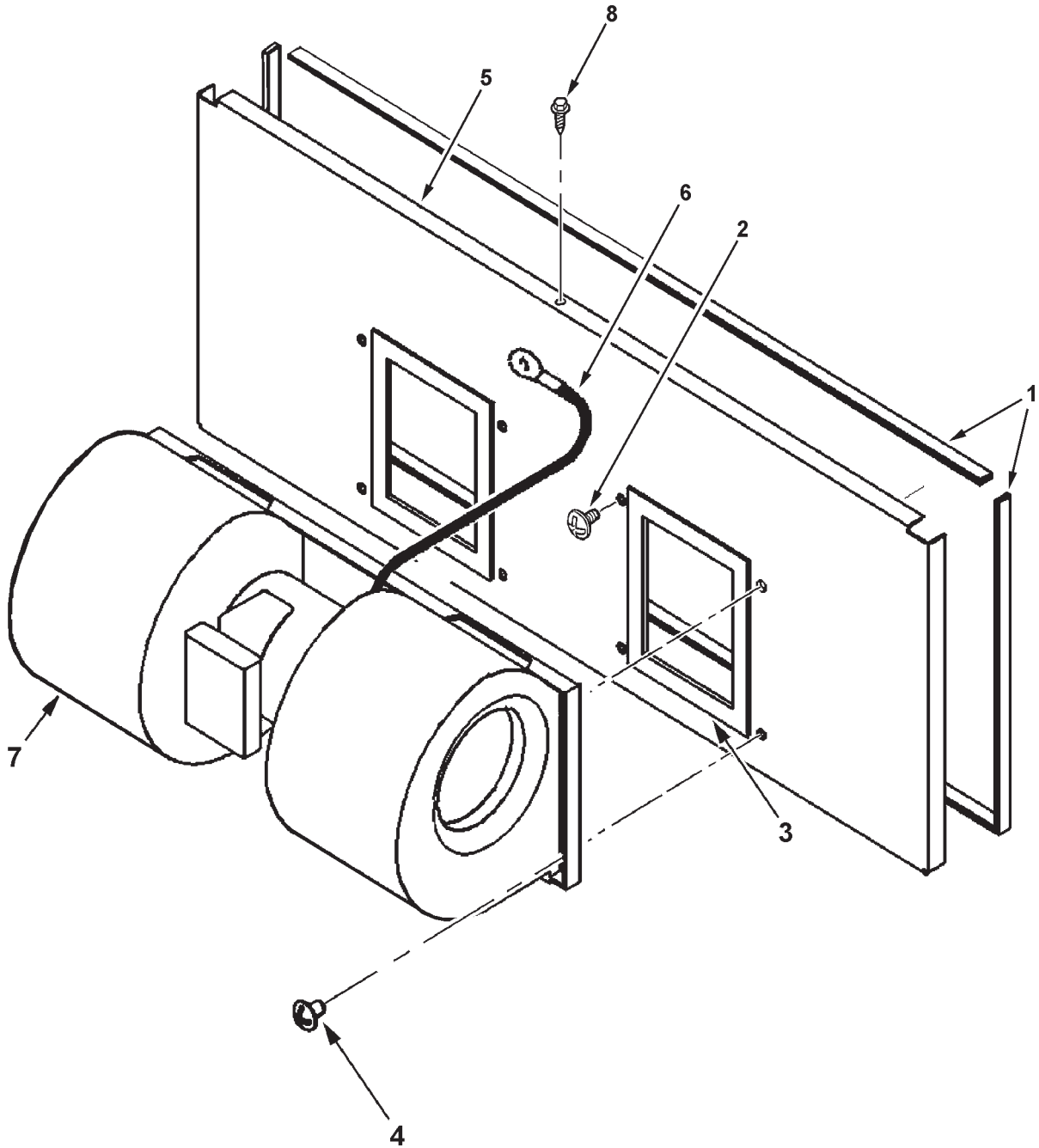
**HVAC PRESSURIZER UNIT
EVANS-TEMPCON
(PRIOR S/N HS36--)**

ITEM	NUMBER	QTY	DESCRIPTION
34	71384551	2	STRIP, CLOSED CELL FOAM, 1/8 X 1 X 9.4"
35	71408209	1	HOSE, FORMED 90DEG (WATER VALVE TO CORE)
	70921911	2	CLAMP, HOSE, WORM DR, .69-1.25 DIA
36	71398819	1	WIRE HARNESS ASY, HI SPEED, W/FUSE
	70937609	AR	MINI FUSE, 25 AMP (NOT ILLUS.)
37	71398820	1	RELAY
38	71397930	1	SNAP BUSHING
39	71373144	24	SCREW, TAPPING, #8-18 X 1/2
40	71408210	1	LABEL, WIRING DIAGRAM
41	-----	1	SPACER, OUTLET (NOT SERVICED)(PRIOR S/N HP36101)
42	-----	1	SPACER, RECIRCULATOR (NOT SERVICED) (PRIOR S/N HP36101)
43	-----	1	SPACER, RECIRCULATOR END (NOT SERVICED) (PRIOR S/N HP36101)
44	-----	1	SPACER, FRONT (NOT SERVICED)(PRIOR S/N HP36101)
45	-----	1	SPACER, FRESH AIR (NOT SERVICED)(PRIOR S/N HP36101)
-	700707823	AR	SEALANT, SILASTIC (NOT ILLUS.)

* NOTE: UPGRADE OF A/C COOLING FOR
MACHINES PRIOR TO S/N HN36, REQUIRES
71401545 EVAP. ASY, 71401546 HEATER
CORE, 71401544 BLOWER ASY, & RECHARGE
TO LATEST REFRIGERATION SPEC.

GC00410
PR: 108

HVAC BLOWER ASY.
EVANS TEMPCON
(PRIOR S/N HS36---)



9790 COMBINE
CAB

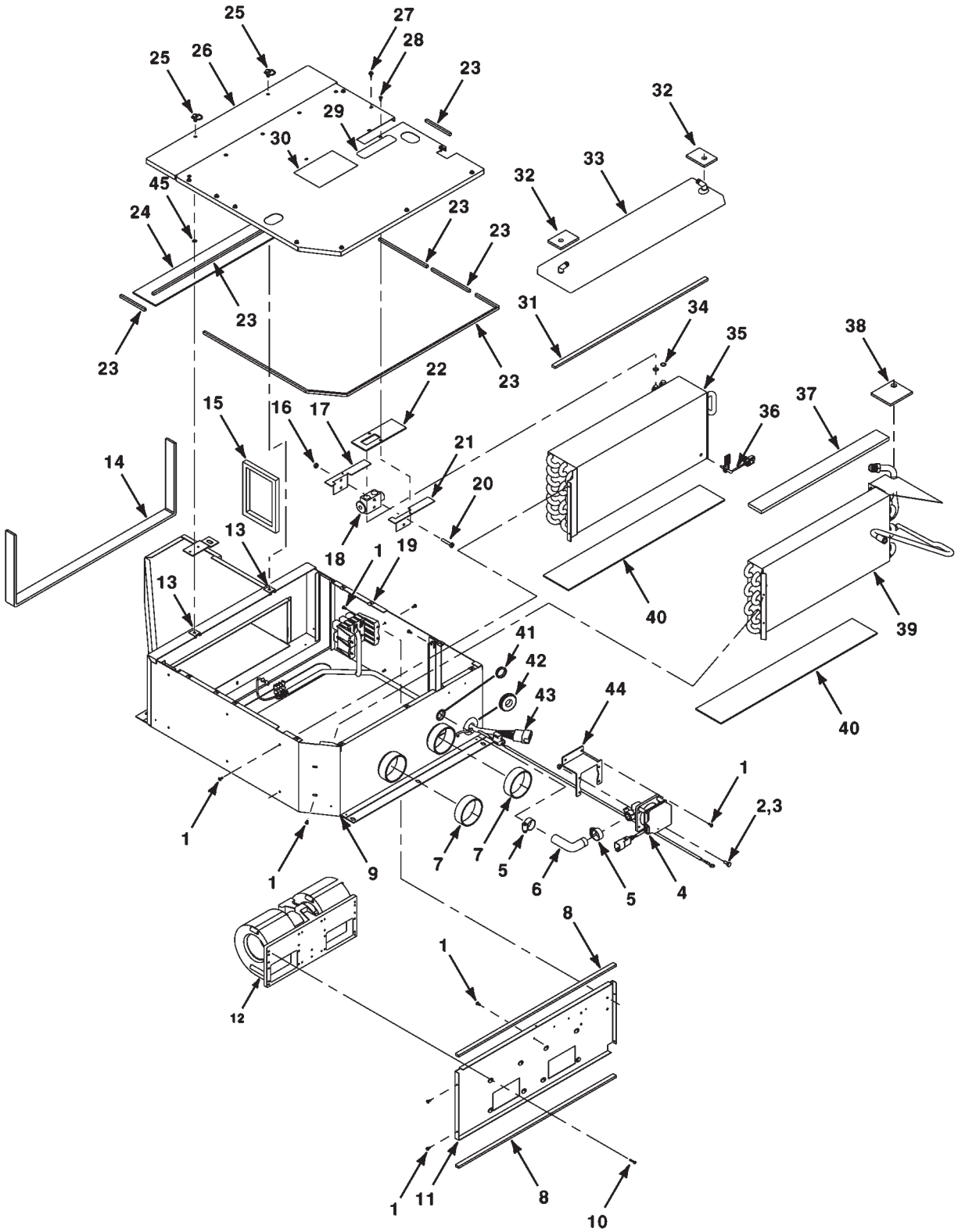
203

HVAC BLOWER ASY.
EVANS TEMPCON
(PRIOR S/N HS36--)

ITEM	NUMBER	QTY	DESCRIPTION
-	-----	1	BLOWER & PANEL ASY (NOT SERVICED)
1	71371332	1	TAPE, FOAM, 1/4 X 1/2 (4.78 FT)
2	71373144	1	SCREW, #8-18 X 1/2, SELF-TAPPING
3	71384553	1	TAPE, FOAM, 1/8 X 1/4 (2.0 FT)
4	71384558	8	SCREW, #10-24 X 1/2, SELF-TAPPING
5	71397939	1	PANEL ASY., BLOWER
6	71384555	1	WIRE ASY., (GROUND)
7	71384556	1	BLOWER ASY, PLASTIC (PRIOR S/N HN36) (SERVICE W/ 71401544)
	71401544	1	BLOWER ASY, PLASTIC (EFF. S/N HN36) (COMPONENTS NOT SERVICED)(SEE * NOTE IN PRESSURIZER UNIT)
8	71400523	1	SCREW, #10, SELF-DRILLING

GC00267
PR: 110

HVAC PRESSURIZER UNIT
EVANS-TEMPCON
(EFF. S/N HS36---)



9790 COMBINE
CAB

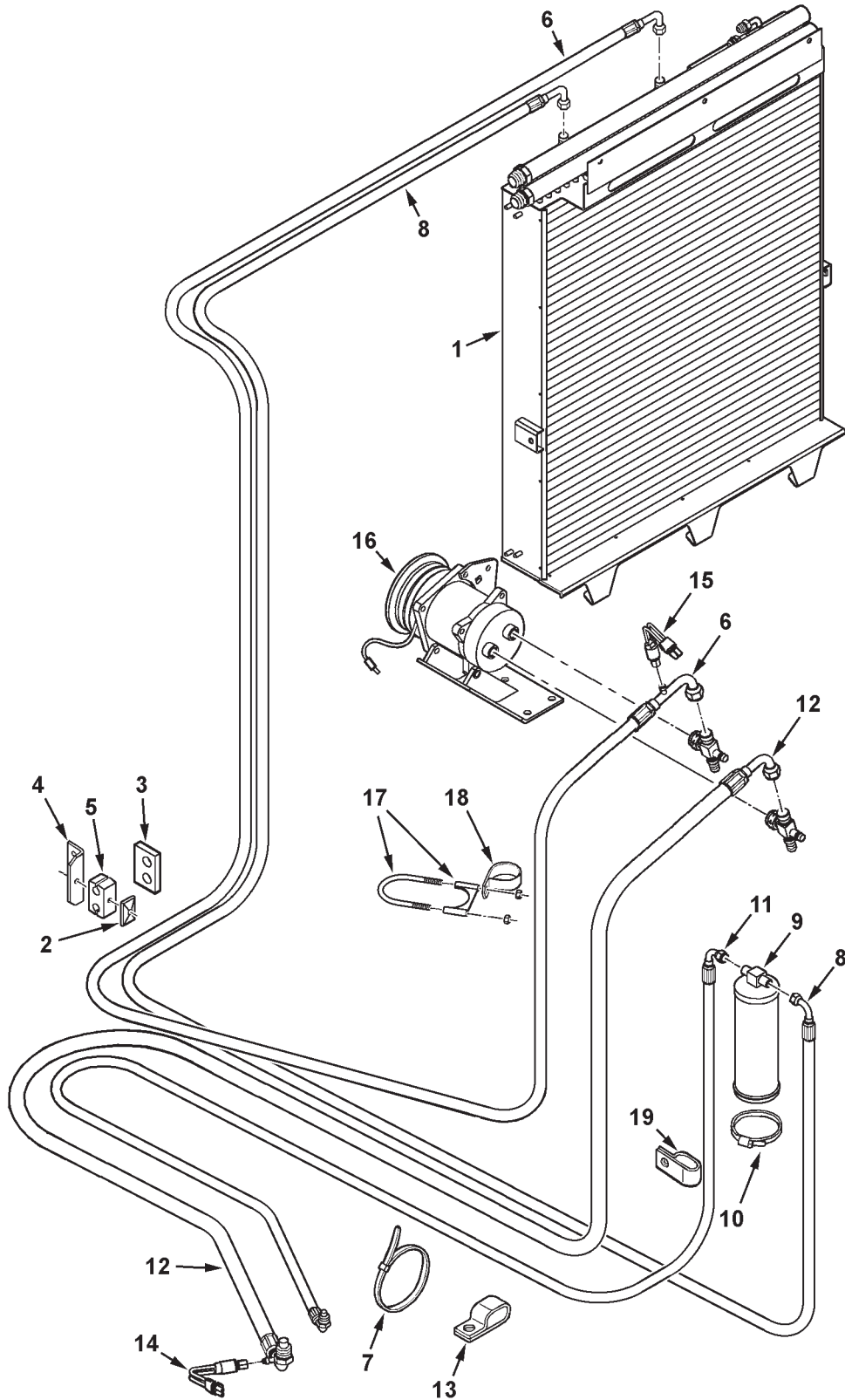
205

HVAC PRESSURIZER UNIT
EVANS-TEMPCON
(EFF. S/N HS36---)

ITEM	NUMBER	QTY	DESCRIPTION
1	71373144	16	SCREW, #8-18 X 1/2
2	70921959	4	CAPSCREW, 1/4-20 X 5/8
3	704007	4	NUT, 1/4-20 REG
4	71418429	1	WATER VALVE
5	70921911	2	CLAMP-HOSE
6	71408209	1	HOSE-FORMED 90 DEGREE
7	71384551	2	FOAM-CELL
8	71371332	2	TAPE-FOAM
9	71419804	1	CASE ASSEMBLY
10	71384558	8	SCREW, #10-24 X 1/2, SELF-TAPPING
11	71419805	1	PANEL-BLOWER ASSEMBLY
12	71418430	1	BLOWER ASSEMBLY
13	71371336	2	RECEPTACLE-NO. 85 CLIP
14	71371331	1	TAPE-FOAM
15	71397447	1	GASKET-FRESH AIR
16	70930760	2	NUT, LOCK, 1/4-28
17	71371346	1	BRACKET-R EXPANSION VALVE
18	71373127	1	VALVE-R134A EXPANSION
19	70937424	10	NUT, SPEED
20	353509X1	1	SCREW, 1/4-28 X 1-1/2
21	71371347	1	BRACKET-L EXPANSION VALVE
22	71371343	1	SEAL, EXPANSION VALVE
23	71397934	6	TAPE-FOAM 1/4 X 1/2
24	71371333	1	TAPE-FOAM 1/8 X 3-7/8
25	71371338	2	FASTENER, 1/4 TURN
26	71408215	1	COVER AND FILTER DOOR ASSEMBLY (INCL. FOAM TAPE, LABELS & FASTENERS)
	70924947	5	POP-RIVET, .125 DIA X .251-.312 GRIP
27	71373146	10	SCREW, SELF TAPPING, #10-24
28	71408214	3	SCREW, NO. 10 SELF DRILLING
29	71397927	1	LABEL-WARNING, 134a
30	71408210	1	LABEL-WIRING DIAGRAM
31	71397448	1	FOAM
32	71397444	2	SEAL-DRAIN TUBE
33	71397926	1	PAN-DRAIN
34	70937295	1	O-RING, #8, R134a
35	71419807	1	EVAPORATOR ASSEMBLY
36	71419806	1	SENSOR-ANTI-ICING
37	71384552	1	TAPE-FOAM
38	71397449	1	SEAL-HEATER TUBES
39	71419808	1	CORE-HEATER
40	71371333	2	TAPE-FOAM 1/8 X 3-7/8
41	71397930	1	BUSHING-SNAP
42	71397932	1	GROMMET-WIRE
43	71418431	1	WIRING HARNESS
44	71418428	1	BRACKET-WATER VALVE
45	71384272	2	RETAINER, PUSH-ON

MC00569
PR: t07a23o20b0003

AIR CONDITIONER
LINES



**9790 COMBINE
CAB**

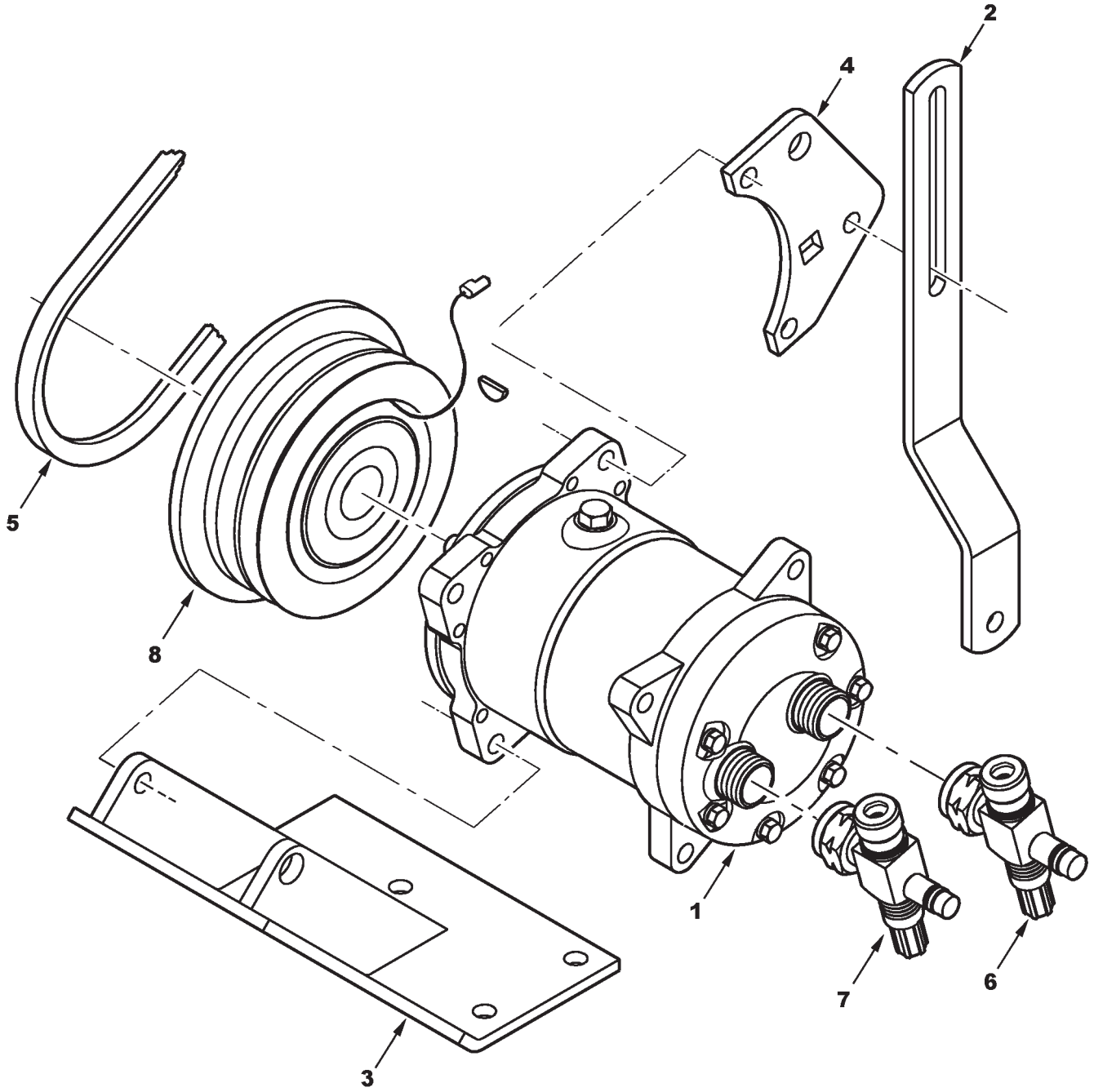
207

**AIR CONDITIONER
LINES**

ITEM	NUMBER	QTY	DESCRIPTION
1	71393842	1	COMBINATION COOLER
2	101646M1	1	COVER PLATE
	7771744	1	CAPSCREW, 5/16-18 X 2-1/4
	Y704726	1	NUT, HEX FLANGE TOP LOCK, 5/16-18
3	71388076	1	SEAL, A/C HOSES
4	71388063	1	ANGLE, HOSE SUPPORT
	70921332	2	CAPSCREW, 5/16-18 X 3/4
	Y704726	1	NUT, HEX FLANGE TOP LOCK, 5/16-18
5	71388856	1	CLAMP PAIR, 7/8 DIA DOUBLE
6	71391648	1	HOSE ASY., COMPRESSOR TO CONDENSER
	70937295	2	O-RING, .070 X .426 ID, 70 DUR, HNBR
	70925621	2	CLAMP, LINE, 1" X .406 HOLE (PRIOR S/N HR36101)
	70936474	2	CLAMP, LINE, 1 DIA DBL X .406 HOLE (EFF. S/N HR36101)
	70921332	1	CAPSCREW, 5/16-18 X 3/4
	70917356	1	LOCKWASHER, 5/16
7	3619622M1	11	TIE, CABLE .189 X 14.19
8	71394172	1	HOSE ASY., CONDENSER TO DRYER
	70937296	2	O-RING, .070 X .301 ID, 70 DUR, HNBR
	70926049	1	CLAMP, SINGLE, 3/4 X .406 HOLE (PRIOR S/N HR36101)
9	71369761	1	RECEIVER, DRYER (R134A)
10	70921915	1	CLAMP, WORM DRIVE, 2.81 - 3.75 DIA
11	71396259	1	HOSE ASY., DRYER TO CAB
	70937296	2	O-RING, .070 X .301 ID, 70 DUR, HNBR
	70928148	2	CLAMP, DOUBLE, 3/4 X .406 HOLE
	70931822	2	SCR,HEX WSHR HD TAPPG, 5/16-12 X 3/4
12	71391100	1	HOSE ASY., CAB TO COMPRESSOR
	70937297	2	O-RING, .070 X .551 ID, 70 DUR, HNBR
	70925621	1	CLAMP, LINE, 1" X .406 HOLE (PRIOR S/N HR36101)
	700708349	1	CAPSCREW, M10-1.5 X 25MM
	700708367	1	LOCKWASHER, M10
13	70936474	5	CLAMP, DOUBLE, 1 DIA X .406 HOLE
	70931822	2	SCR,HEX WSHR HD TAPPG, 5/16-12 X 3/4
	70921977	3	CAPSCREW, 5/16-18 X 1-1/4
	Y704726	3	NUT, HEX FLANGE TOP LOCK, 5/16-18
14	71372724	1	SWITCH, LOW PRESSURE
15	72509305	1	SWITCH, HIGH PRESSURE
	70925094	5	TIE, NYLON LOCKING, .175 X 7.0
16	71379601	1	COMPRESSOR (SANDEN)
	72507682	AR	LUBRICANT, A/C COMPRESSOR
17	71399682	1	CLAMP, 3" DIA EXHAUST (EFF. S/N HR36101)
18	7041015	1	CLAMP, LINE, 2-1/4 DIA X .531 HOLE (EFF. S/N HR36101)
	Y704734	1	NUT, HEX FLANGE TOP LOCK, 3/8-16
19	70928148	1	CLAMP, DOUBLE, 3/4 DIA X .406 HOLE
	70931822	1	SCR,HEX WSHR HD TAPPG, 5/16-12 X 3/4

MC00284
PR: 112

AIR CONDITIONER
COMPRESSOR (SANDEN)



**9790 COMBINE
CAB**

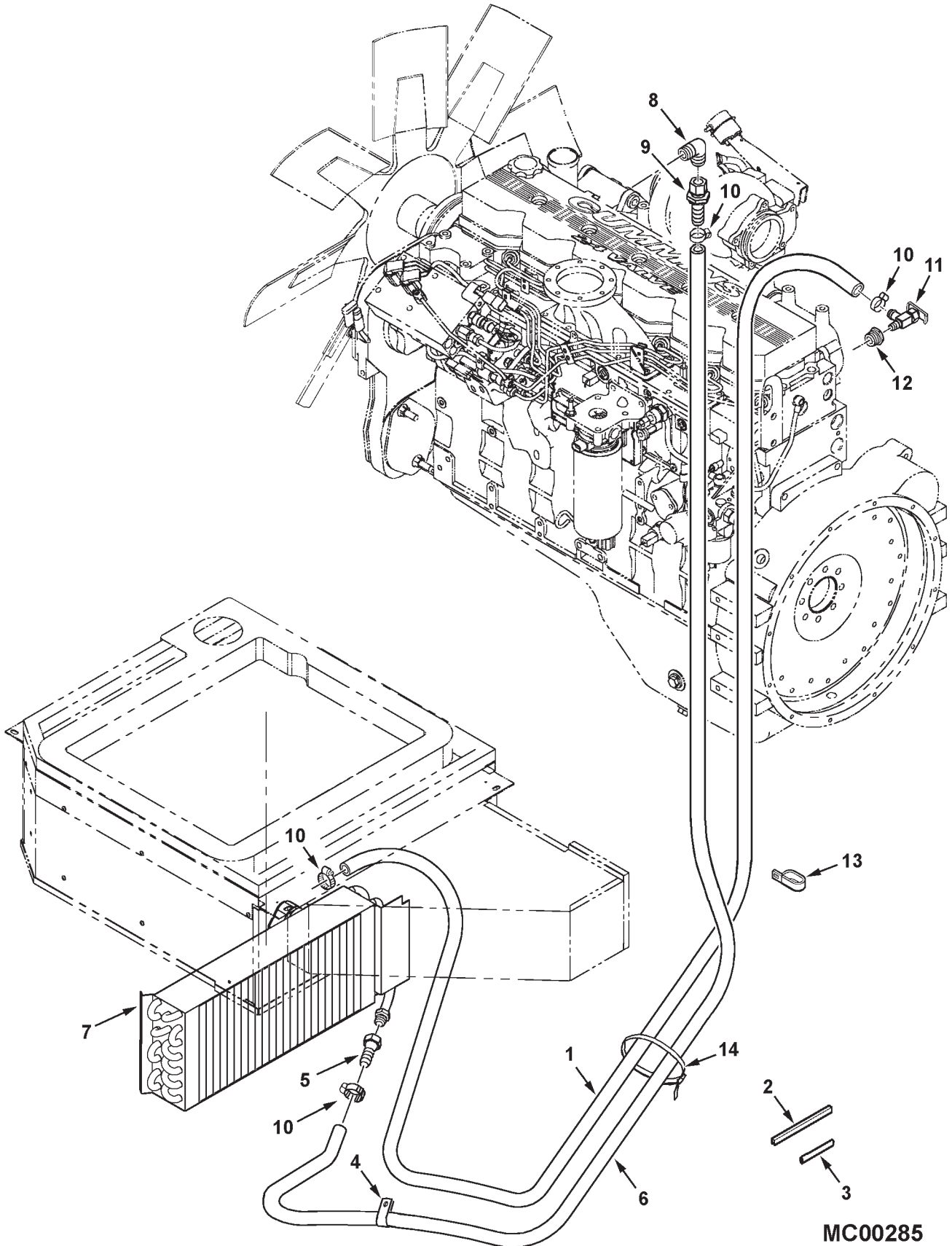
209

**AIR CONDITIONER
COMPRESSOR (SANDEN)**

ITEM	NUMBER	QTY	DESCRIPTION
1	71379601	1	COMPRESSOR, (COMPLETE W/SEALED BEARING CLUTCH)
	71386436	1	CLUTCH ASY. (SEALED BRG.) (SEE ITEM # 8)
	70950038	2	CAPSCREW, (M10 X 40)
	70950220	2	WASHER, LOCK, (M10)
	70950945	2	NUT, (M10)
	72160927	1	BUSHING, (SLIT-SLEEVE)
2	71388877	1	LINK, ADJUSTING, A/C COMP
	1112407	1	CAPSCREW, M10-1.5 X 20
	70950220	2	LOCKWASHER M10
	70950037	1	CAPSCREW, M1-1.5 X 30
	70918266	1	WASHER, FLAT M10
	70950945	1	NUT, M10-1.5
3	71385055	1	SUPPORT WLMT. COMPRESSOR
	72160927	1	SLEEVE SLIT
	70950038	2	CAPSCREW, M10-1.5 X 40
	70950220	2	LOCKWASHER M10
	70950945	2	NUT, M10-1.5
4	30-3429865	1	PLATE COMPRESSOR
	70950038	2	CAPSCREW, M10-1.5 X 40
	70950220	2	LOCKWASHER M10
	70950945	2	NUT, M10-1.5
5	71148120	1	BELT, A/C COMPRESSOR
6	72506694	1	SERVICE VALVE, (HI-SIDE) (DISCHARGE)
	70937297	1	O-RING, .070 X .551 ID, 70 DUR, HNBR
	72507408	1	CAP PLUG, NYLON
	72507406	1	CAP, STEM
7	72506922	1	SERVICE VALVE, (LO-SIDE) (SUCTION)
	70937297	1	O-RING, .070 X .551 ID, 70 DUR, HNBR
	72507407	1	CAP PLUG, NYLON
	72507406	1	CAP, STEM
8	71386436	1	CLUTCH ASY. (SEALED BRG.)
-	72507682	AR	LUBRICANT, PAG, AC COMPRESSOR (USE ON MODELS USING 134A REFRIGERANT)
-	71369762	AR	REFRIGERANT

71384573
PR: 114

HEATER & LINES
(PRIOR S/N HR36101)



9790 COMBINE
CAB

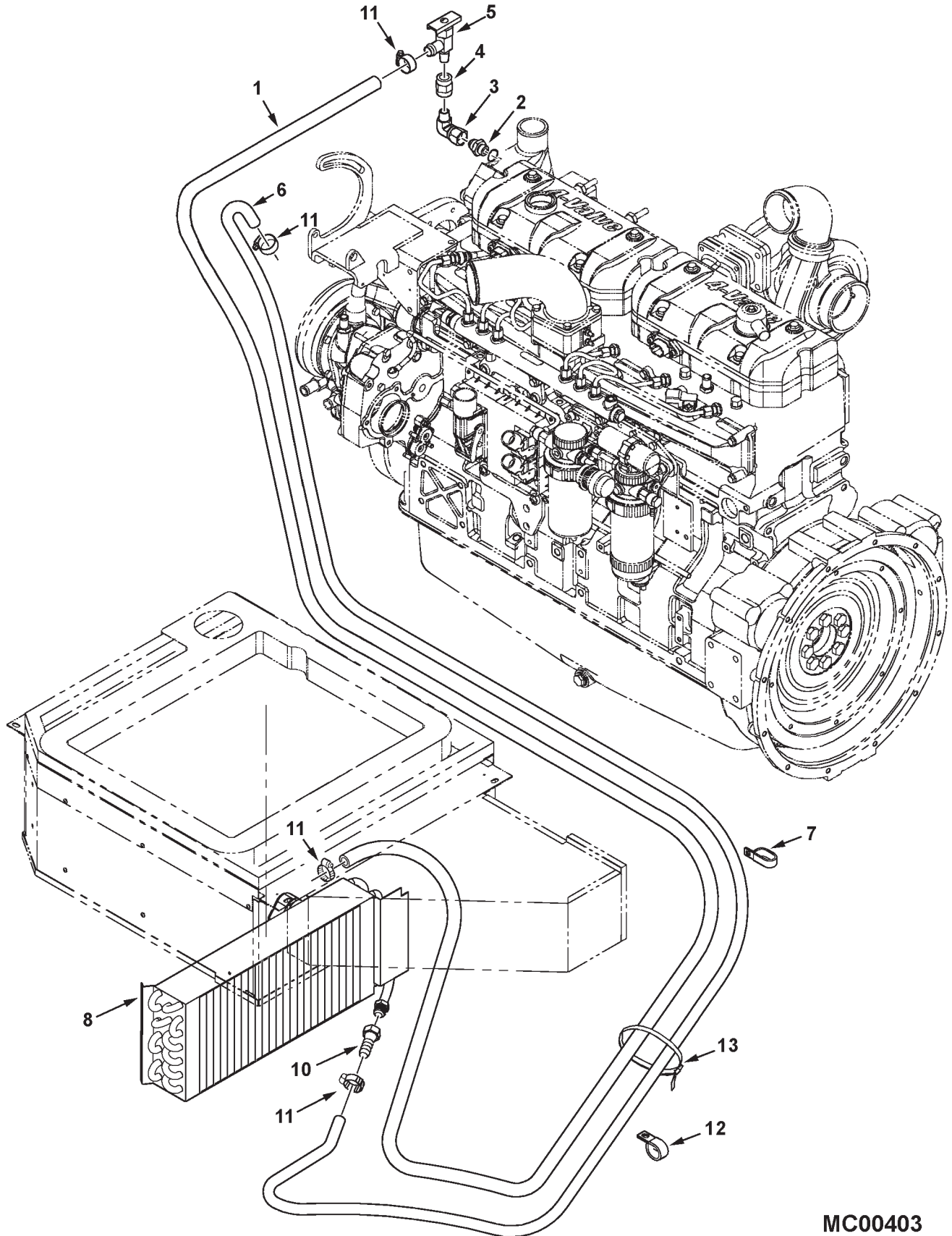
211

HEATER & LINES
(PRIOR S/N HR36101)

ITEM	NUMBER	QTY	DESCRIPTION
1	71394144	1	HOSE, 5/8 ID, HEATER SUPPLY, 275" LG
2	71387797	1	EDGE PROTECTOR
3	71191799	2	EDGE PROTECTOR
4	70928464	1	CLAMP, 1 DIA. X .281 HOLE
5	70920808	1	FITTING, BARB, 7/8 X 14 JIC FEM X 5/8
6	71396268	1	HOSE, 5/8 ID, HEATER RETURN, 200" LG
7	-----	1	HEATER CORE(SEE "HVAC PRESSURIZER UNIT")
8	70919272	1	ELBOW, 90 D, 3/4-16 JIC X 3/4 NPT
9	71351285	1	FITTING, BARB, 3/4-16 FEM X 5/8 HOSE
10	70921911	4	CLAMP, WORM DRIVE, .69- 1.25 DIA
11	30-3076830	1	VALVE, SHUT-OFF, WATER
12	70936774	1	BUSHING,PIPE REDUCER, 3/4 MALE X 3/8 FEM
13	70936474	3	CLAMP, DOUBLE, 1 DIA X .406 HOLE
14	3619622M1	2	TIE, SELF LOCK, .184 X 14.6 LG

MCO0285
PR: 116

HEATER LINES
(EFF. S/N HR36101)



9790 COMBINE
CAB

213

HEATER LINES
(EFF. S/N HR36101)

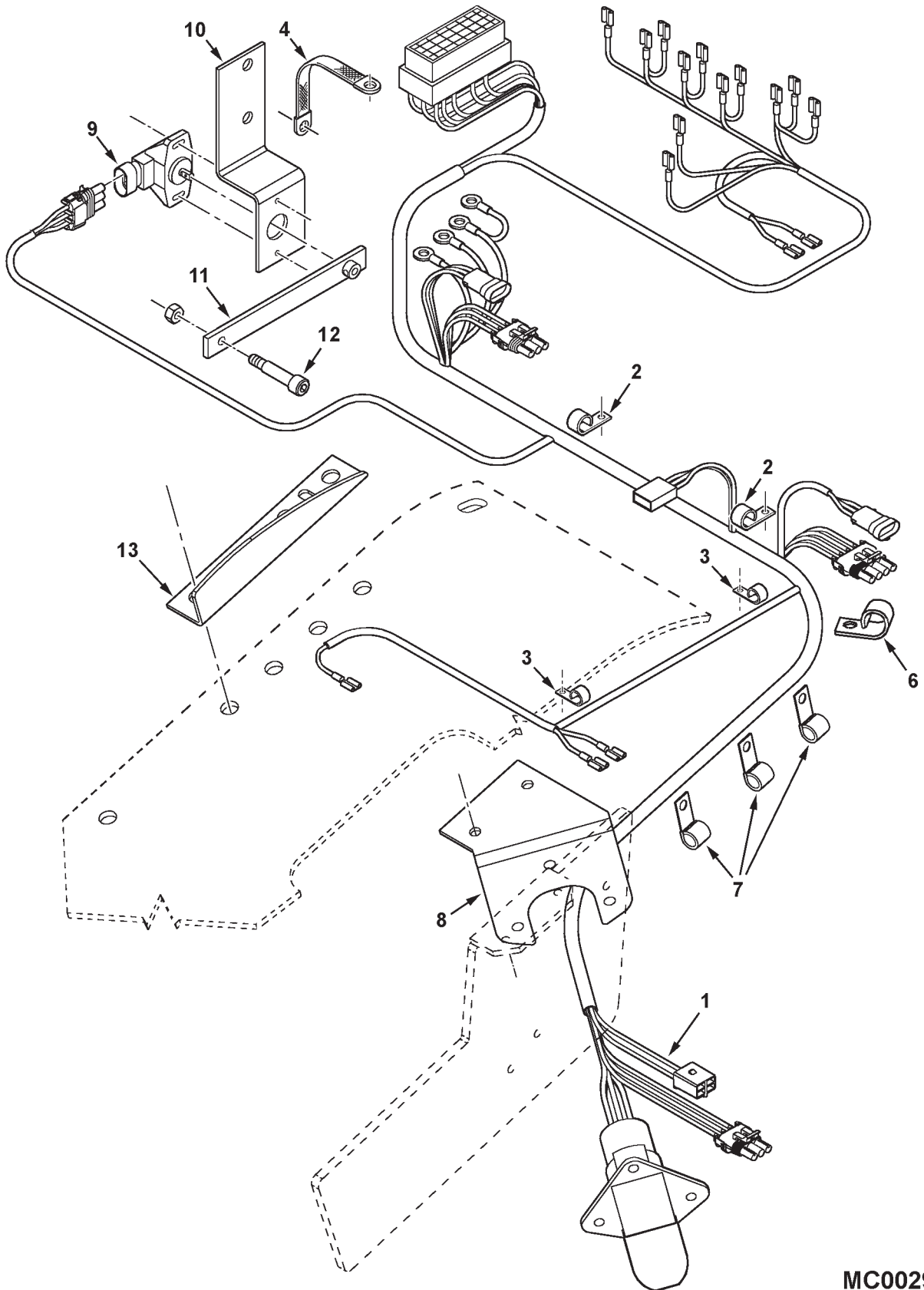
ITEM	NUMBER	QTY	DESCRIPTION
1	71404436	1	HOSE, 5/8 ID, HEATER SUPPLY, 260" LG
2	70951055	1	CONN. METRIC, MALE, M18-1.5 X 3/4-16 JIC
	V615881822	1	WASHER, COPPER SEALING
3	70935416	1	ELBOW,90 DEG, 3/8 NPTF X 3/4-16 JIC FEM
4	W943003	1	COUPLING, 3/8 NPTF FEM.
5	30-3076830	1	VALVE, SHUT-OFF, WATER
6	700715271	1	HOSE, HEATER RETURN, 5/8 ID X 227.5" LG
7	70936474	5	CLAMP, DOUBLE, 1 DIA X .406 HOLE
8	-----	1	HEATER CORE(SEE "HVAC PRESSURIZER UNIT")
10	70920808	1	FITTING,7/8 X 14 JIC SWIV FEM X 5/8 STEM
11	70921911	4	CLAMP, WORM DRIVE, .69- 1.25 DIA
12	70928464	1	CLAMP, LINE, 1.0 DIA X .281 HOLE
13	3619622M1	2	TIE, SELF LOCK, .184 X 14.6 LG

MC00403

PR: t06d19k48d0004

9790 COMBINE
ELECTRICAL

FEEDER ELECTRICAL
(PRIOR S/N HS36101)



**9790 COMBINE
ELECTRICAL**

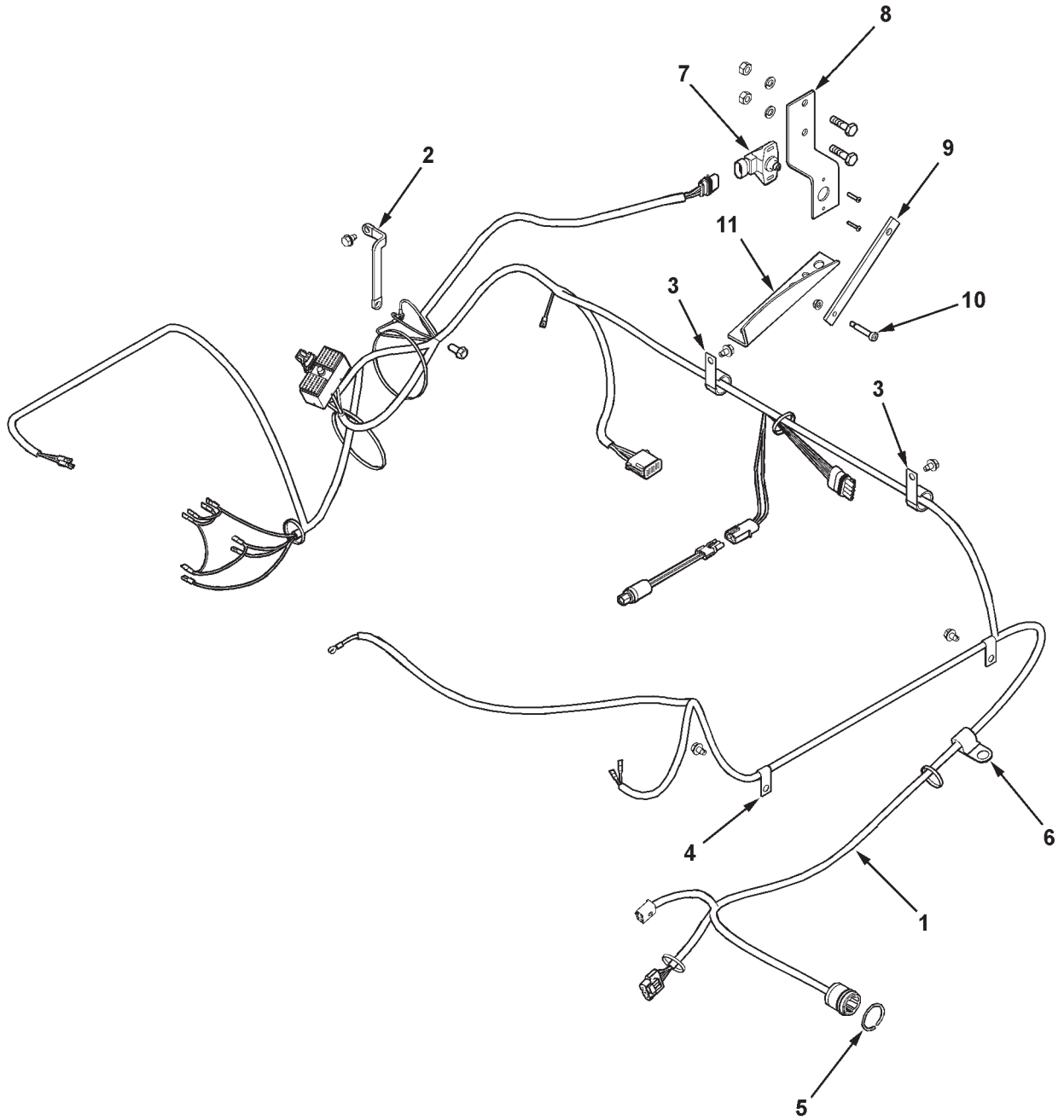
215

**FEEDER ELECTRICAL
(PRIOR S/N HS36101)**

ITEM	NUMBER	QTY	DESCRIPTION
1	71412359	1	HARNES, FEEDER
	70937133	2	TIE, SELF-LOCK, .300 X 14.5 LG
	70925094	2	TIE, SELF-LOCK, .184 X 7.31 LG
2	70937677	2	J-CLIP, 1.0 DIA X .406 HOLE
	772525	2	SCREW,HEX HD SELF-TAP, 5/16-18 X 1/2
3	70937685	2	J-CLIP, 3/8 DIA X .406 HOLE
	772525	2	SCREW,HEX HD SELF-TAP, 5/16-18 X 1/2
4	71396955	1	STRAP, GROUND
	372729X1	1	SCREW, HEX WASHER HD, 5/16-18 X 3/4
	772525	1	SCREW,HEX HD SELF-TAP, 5/16-18 X 1/2
	705160	2	LOCKWASHER, EXT TOOTH, 5/16
6	70937682	1	J-CLIP, 3/4 DIA X .656 HOLE
7	70936778	3	J-CLIP, 3/4 DIA X .406 HOLE
	70916950	3	HEXNUT, 3/8-16
8	71391420	1	BRACKET, HEADER CONNECTOR
	372729X1	2	SCREW,HEX HD SELF-TAP, 5/16-18 X 3/4
	70921333	3	CAPSCREW, 5/16-18 X 1.0
	70917356	3	LOCKWASHER, 5/16
	70917372	3	HEXNUT, 5/16-18
9	71391869	1	SENSOR, ROTARY POSITION
	700711659	2	SCREW, PAN HD MACH #8-32 X 3/4
	70923906	2	WASHER, #8, NARROW
	70917395	2	LOCKWASHER, #8
	704494	2	HEXNUT, #8-32
10	71395832	1	BRACKET, SENSOR MOUNT
	70920415	2	CAPSCREW, 3/8-16 X 1-1/4
	70916965	2	LOCKWASHER, 3/8
	70916950	2	HEXNUT, 3/8-16
11	71395840	1	ARM WLMT, SENSOR
	70923520	1	SETSCREW,KNURLED CUP PT, #8-32 X 1/4
12	700721586	1	SHOULDER BOLT, 5/16 X 1-1/4 X 1/4-20
	1703354	1	NUT, HEX FLANGE TOP LOCK, 1/4-20
13	71395838B	1	BRACKET, FEEDHOUSE SHARK FIN
	372729X1	4	SCREW, HEX WSH HD, 5/16-18 X 3/4

MC00292
PR: 118

FEEDER ELECTRICAL
(EFF. S/N HS36101)



**9790 COMBINE
ELECTRICAL**

217

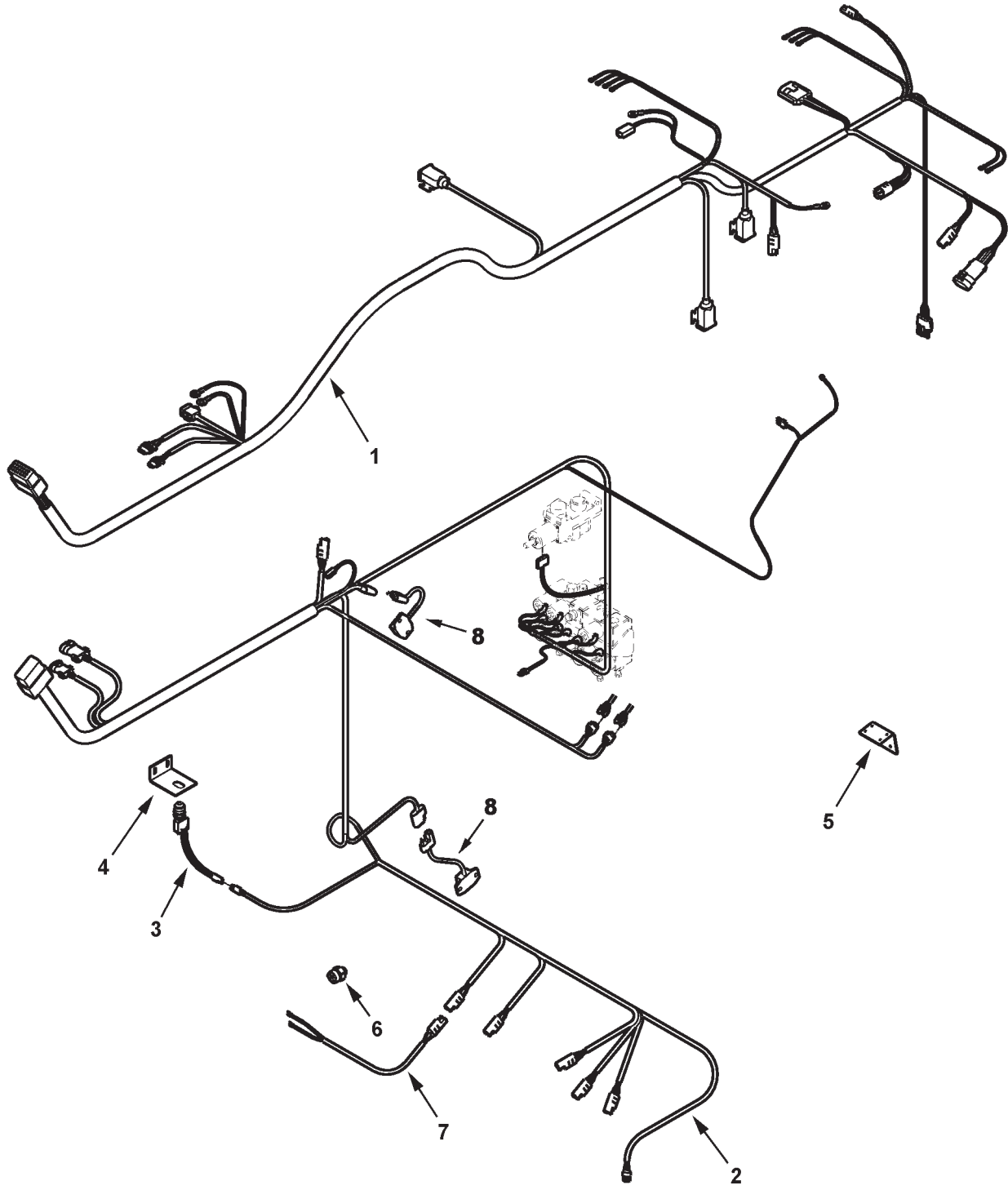
**FEEDER ELECTRICAL
(EFF. S/N HS36101)**

ITEM	NUMBER	QTY	DESCRIPTION
1	71413092	1	HARNES, FEEDER
	70937133	4	TIE, SELF-LOCK, .300 X 14.5 LG
	70925094	3	TIE, BLK NYLN SELF-LOCK, .184 X 7.31
2	71396955	1	STRAP, GROUND
	705160	2	LOCKWASHER, EXT TOOTH, 5/16
	372729X1	1	SCR, HX WSHR HD TAPPG, 5/16-18 X 3/4
	70924856	1	SCR, HX WSHR HD TAPPG, 5/16-18 X 1/2
3	70937677	2	J-CLIP, 1.0 DIA X .406 HOLE
	70924856	2	SCREW,HEX HD SELF-TAP, 5/16-18 X 1/2
4	70937685	2	J-CLIP, 3/8 DIA X .406 HOLE
	70924856	2	SCREW,HEX HD SELF-TAP, 5/16-18 X 1/2
5	71410556	1	SNAP RING, EXTERNAL
6	70937682	1	J-CLIP, 3/4 DIA X .656 HOLE
7	71391869	1	SENSOR, ROTARY POSITION
	700711659	2	SCREW, PAN HD MACH #8-32 X 3/4
	70923906	2	WASHER, #8, NARROW
	70917395	2	LOCKWASHER, #8
	704494	2	HEXNUT, #8-32
8	71395832	1	BRACKET, POTENTIOMETER MOUNT
	70920415	2	CAPSCREW, 3/8-16 X 1-1/4
	70916965	2	LOCKWASHER, 3/8
	70916950	2	HEXNUT, 3/8-16
9	71395840	1	ARM WLMT, SENSOR
	70923520	1	SETSCREW,KNURLED CUP PT, #8-32 X 1/4
10	700721586	1	SHOULDER BOLT, 5/16 X 1-1/4 X 1/4-20
	1703354	1	NUT, HEX FLANGE TOP LOCK, 1/4-20
11	71395838	1	BRACKET, FEEDHOUSE, SHARK FIN

MC00427

PR: t07a23o20b0004

ELECTRICAL HARNESSES & SWITCHES
FRONT



**9790 COMBINE
ELECTRICAL**

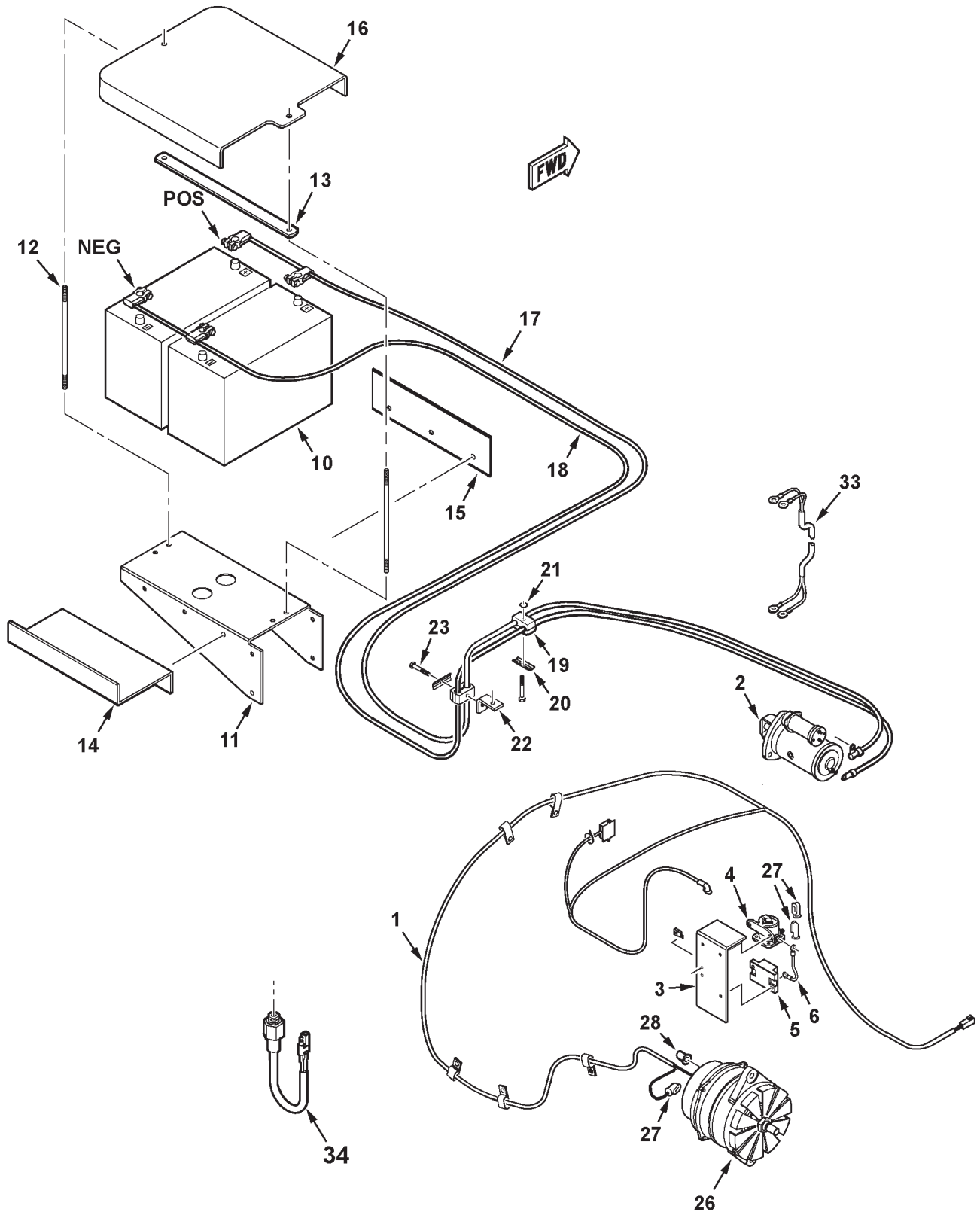
219

**ELECTRICAL HARNESSSES & SWITCHES
FRONT**

ITEM	NUMBER	QTY	DESCRIPTION	
1	71391016	1	HARNESS, MAIN (PRIOR S/N HR36101)	
	71410902	1	HARNESS, MAIN (EFF. S/N HR36101)	
	71413309	1	HARNESS, MAIN (EFF. S/N HS36101)	
	70937685	3	J-CLIP, 3/8 DIA X .406 HOLE	
	70927134	1	J-CLIP, 5/8 DIA X .406 HOLE	
	70936778	6	J-CLIP, 3/4 DIA X .406 HOLE	
	70937684	1	J-CLIP, 1-1/4 DIA X .406 HOLE	
	70921333	1	CAPSCREW, 5/16-18 X 1.0	
	700709602	1	WASHER, 5/16	
	70917356	1	LOCKWASHER, 5/16	
	70917372	1	HEXNUT, 5/16-18	
	71389754	1	MOLDING, EDGE	
	70925094	AR	TIE, SELF-LOCKING .184 X 7.31	
	2	71391017	1	HARNESS, FAN/HYD (PRIOR S/N HR36101)
		71410903	1	HARNESS, FAN/HYD (EFF. S/N HR36101)
71412351		1	HARNESS, FAN/HYD (EFF. S/N HS36101)	
70925246		AR	J-CLIP, 1/2 DIA X .281 HOLE	
7883267		AR	SCREW, HX WSHR HD MACH 1/4-20 X 1/2	
70931209		AR	LOCKNUT, 1/4-20	
70937685		AR	J-CLIP, 3/8 DIA X .406 HOLE	
70936778		1	J-CLIP, 3/4 DIA X .406 HOLE	
70929725		2	J-CLIP, 7/16 DIA X .406 HOLE	
70927134		1	J-CLIP, 5/8 DIA X .406 HOLE	
70921965		4	CAPSCREW, 3/8-16 X 3/4	
705038		4	LOCKWASHER, 3/8	
70916950		4	HEXNUT, 3/8-16	
70925094		AR	TIE, SELF-LOCKING, .184 X 7.31	
3		293766M1	1	SWITCH, STONE TRAP DOOR
	70925094	1	TIE, SELF-LOCKING .184 X 7.31	
4	112159W1	1	BRACKET, SWITCH, STONE TRAP	
	70921333	2	CAPSCREW, 5/16-18 X 1.0	
	700709602	2	WASHER, 5/16	
	70917356	2	LOCKWASHER, 5/16	
	70917372	2	HEXNUT, 5/16-18	
5	71396956	1	BRACKET, MAG LIGHT 12V POWER	
	70936592	4	SCREW, PAN HD X-RECESS, #10-16 X 3/4	
	705160	4	LOCKWASHER, 5/16	
6	71342216	1	SWITCH, START	
7	71385907	1	WIRE ASM., SWITCH	
8	71391021	1	SENSOR ASY, 2-WIRE	

MCO0308
PR: 120

ENGINE & BATTERY WIRING
(PRIOR S/N HR36101)



**9790 COMBINE
ELECTRICAL**

221

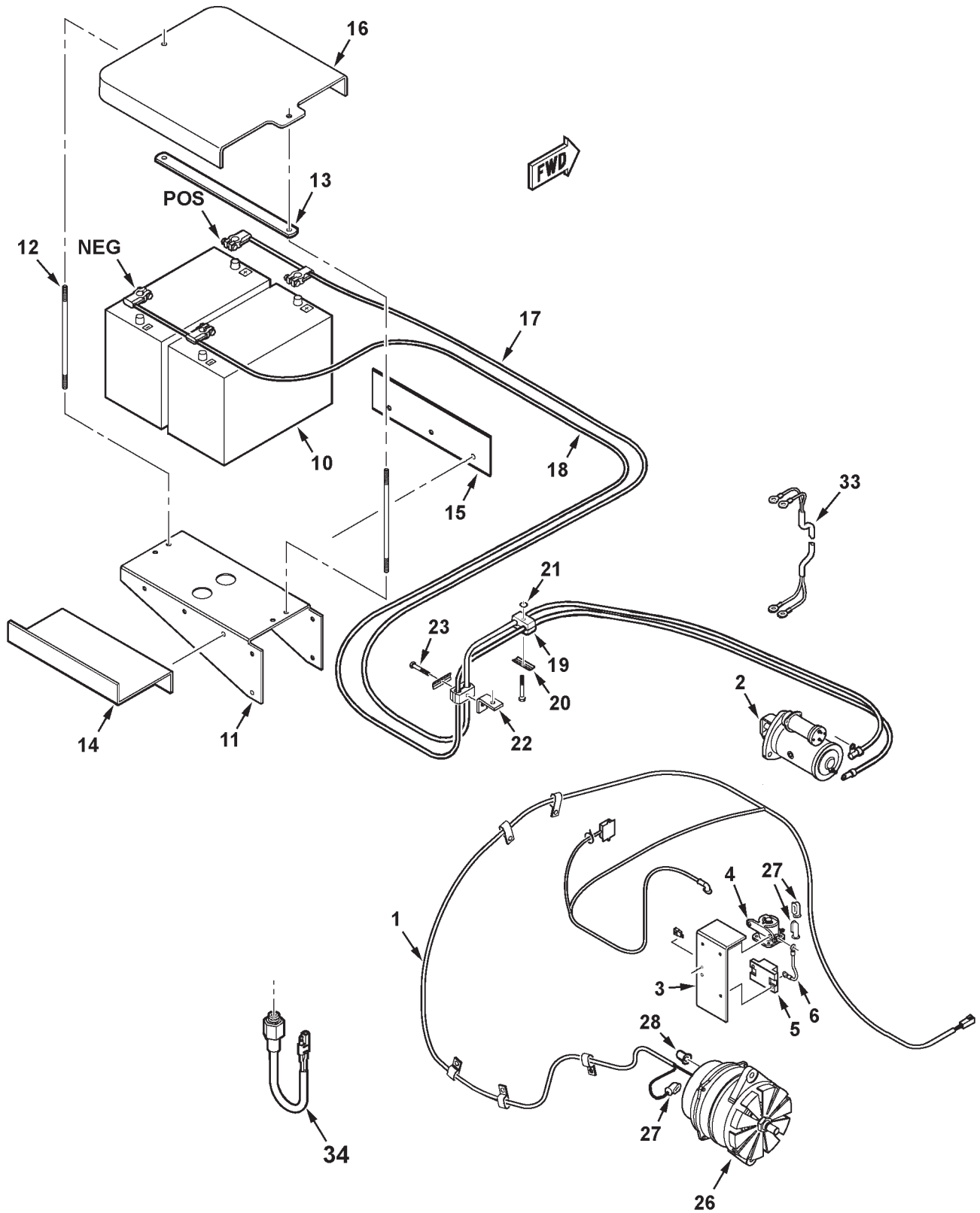
**ENGINE & BATTERY WIRING
(PRIOR S/N HR36101)**

ITEM	NUMBER	QTY	DESCRIPTION
-	71391870	1	LIGHT,MAGNETIC SRVICE(IN CAB BUDDY SEAT)
-	71397725	AR	OUTLET SOCKET, SERVICE LIGHT
1	71391710	1	HARNESS, ENG. WIRING (PRIOR S/N HP36101)
	71401348	1	HARNESS, ENG. WIRING (EFF. S/N HP36101)
	71408391	1	WIRE ASY, ALT'R, 37.4" (FIELD INSTAL'N UPGRADE. 2003 & 2004 PROD'N ONLY, S/N HM36--)(NOT ILLUS.)
	70934739	1	FUSE, 5-AMP
	70935426	3	FUSE, 7.5-AMP
	70934740	2	FUSE, 10-AMP
	70927104	1	CLAMP, .750 TUBE X .531 HOLE
	773473	1	CAPSCREW, M12-1.75 X 30MM
	Y705046	1	LOCKWASHER, 1/2
	70937684	1	J-CLIP, 1-1/4 X .406 HOLE
	70937677	2	J-CLIP, 1.0 X .406 HOLE
	70930791	2	J-CLIP, .688 X .406 HOLE
	70937685	1	J-CLIP, 3/8 X .406 HOLE
	7745193	4	CLIP, PANEL SLIDE-ON
	70925094	AR	TIE, SELF-LOCKING .184 X 7.31
	70929807	AR	TIE, SELF-LOCKING .50 X 19.0
	70937133	AR	TIE, SELF-LOCKING .300 X 14.5
2	71391860	1	STARTER MOTOR, 42MT (SEE BREAKDOWN)
3	71391866	1	BRACKET, SOLENOID MTG.
	773473	2	CAPSCREW, M12-1.75 X 30MM
	Y705624	1	WASHER, FLAT 1/2
	Y705046	2	LOCKWASHER, 1/2
4	530132M1	1	SOLENOID
	70931833	2	SCREW, MTG. 1/4-20 X 1/2
	70917356	2	LOCKWASHER, 5/16
	70917372	2	HEXNUT, TERMINAL 5/16-18
	705004	2	LOCKWASHER, #10
	Y704445	2	HEXNUT, TERMINAL #10-32
5	71389309	1	BREAKER, CIRCUIT 150A
	70934728	2	SCREW, PAN HD TAPPING, 1/4-20 X 3/4
6	71389313	1	WIRE, START RELAY (APRX. 6-1/4" LG.)
10	1907162M1	2	BATTERY, 12V HD/HI-CAPACITY
11	71393713	1	BRACKET, BATTERY SUPPORT
	70921210	4	CAPSCREW, 3/8-16 X 1.0
	704247	4	LOCKNUT, HEX SERR FLANGE, 3/8-16
12	108047W1	2	ROD, BATTERY HOLD DOWN
13	108048W1	1	STRAP, TIE BAR
	704247	4	LOCKNUT, HEX SERR FLANGE, 3/8-16
14	71397729	1	ANGLE, BATTERY SUPPORT
	70921210	3	CAPSCREW, 3/8-16 X 1.0
	704247	3	LOCKNUT, HEX SERR FLANGE, 3/8-16
15	71397726	1	PLATE, BATTERY SUPPORT
	70921210	3	CAPSCREW, 3/8-16 X 1.0
	704247	3	LOCKNUT, HEX SERR FLANGE, 3/8-16
16	108076W1	1	COVER, BATTERY
	Y704361	2	WINGNUT, 3/8-16

CONTINUED

MC00298
PR: 122

ENGINE & BATTERY WIRING
(PRIOR S/N HR36101)



**9790 COMBINE
ELECTRICAL**

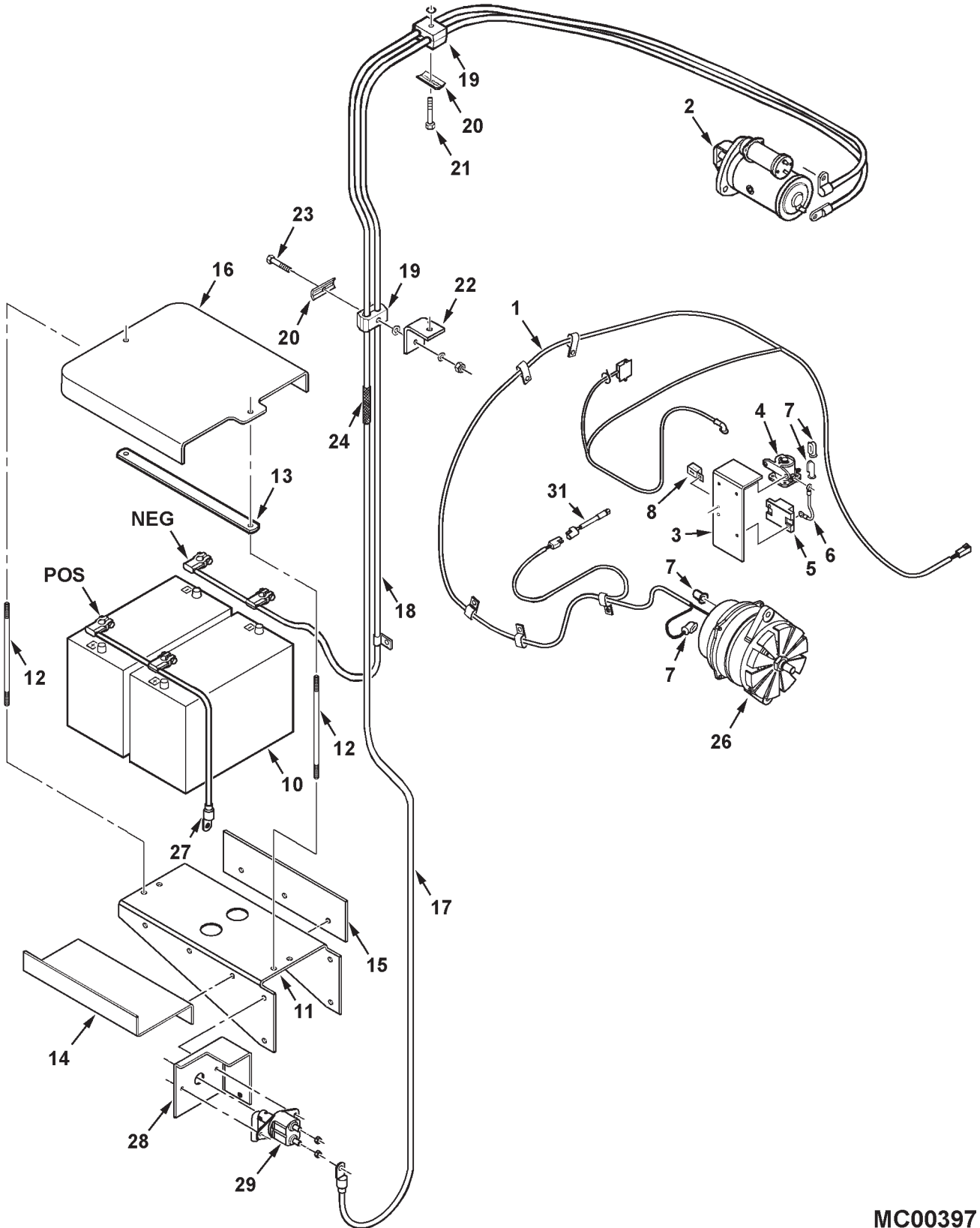
223

**ENGINE & BATTERY WIRING
(PRIOR S/N HR36101)**

ITEM	NUMBER	QTY	DESCRIPTION
17	71396951	1	CABLE, POSITIVE BATTERY
	71396952	AR	PROTECTOR, BATT. CABLE (SPLIT HOSE)
	70925094	2	TIE, SELF-LOCKING .184 X 7.31
18	71394725	1	CABLE, NEGATIVE BATTERY
	70925094	4	TIE, SELF-LOCKING .184 X 7.31
	Y702951	1	SCR, HEX WSHR HD TAPPG, 3/8-16 X 3/4 (GROUND LUG ATTACH)
19	148203M1	2	CLAMP PAIR, 5/8 DIA DOUBLE, BATT. CABLE
20	101646M1	2	PLATE, TOP COVER
21	70921719	1	CAPSCREW, 5/16-18 X 2-1/2
	70918431	4	WASHER, 1/2, WIDE
	70917378	1	WASHER, 3/8, WIDE
	70917356	1	LOCKWASHER, 5/16
	70917372	1	HEXNUT, 5/16-18
22	71337414	1	BRACKET
23	7703507	1	CAPSCREW, 5/16-18 X 2.0
	70917356	1	LOCKWASHER, 5/16
	70917372	1	HEXNUT, 5/16-18
26	71370306	1	ALTERNATOR ASY, 130A (SEE BREAKDOWN FOR COMPONENTS)(PRIOR S/N HM36173)
	3965146	1	PULLEY, ALTERNATOR
	71396957	1	ALTERNATOR ASY, 150A (EFF S/N HM36173)
	3965146	1	PULLEY, ALTERNATOR
27	70232758	3	TERMINAL COVER
28	72506418	2	TERMINAL COVER, ALT.
33	71386807	1	WIRE ASY., GRID HEATER TO RELAYS(60.5")
	70232758	2	COVER, TERMINAL
	70950717	2	NUT, M6 -1, CL9
	Y705269	2	LOCKWASHER, M6
34	71389746	1	SWITCH, ROTOR PRESSURE
	70921885	1	O-RING, .078 X .468 ID

MC00298
PR: 122

ENGINE & BATTERY WIRING
(EFF. S/N HR36101)



**9790 COMBINE
ELECTRICAL**

225

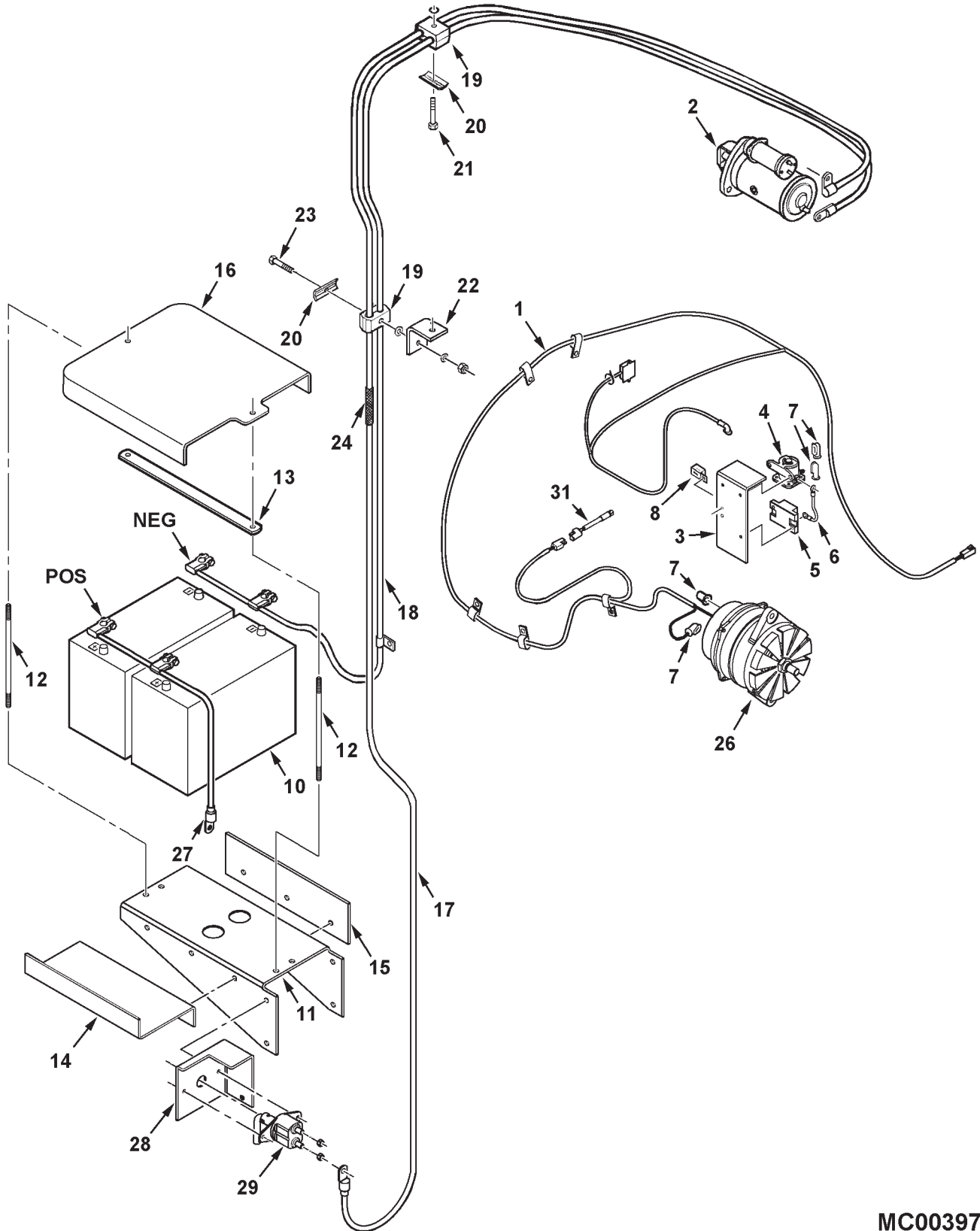
**ENGINE & BATTERY WIRING
(EFF. S/N HR36101)**

ITEM	NUMBER	QTY	DESCRIPTION
1	71410574	1	HARNESS, SISU ENGINE WIRING
	70927104	2	CLAMP, LINE, 3/4 DIA X .531 HOLE
	70929748	1	CLAMP, LINE, 1-1/4 DIA X .406 HOLE
	70937684	1	J-CLIP, 1-1/4 DIA X .406 HOLE
	70937677	5	J-CLIP, 1 DIA X .406 HOLE
	7704703	1	NUT, M6 X 1.0
	70921332	3	CAPSCREW, 5/16-18 X 3/4 GR5
	70921333	1	CAPSCREW, 5/16-18 X 1 GR5
	70918266	2	WASHER, 3/8, NARROW
	70925094	5	TIE, NYLON LOCKING, .184 X 7.31
	70929807	1	TIE, NYLON LOCKING, .50 X 19.0
	70937133	8	TIE, NYLON LOCKING, .30 X 14.5
2	- - - - -	1	STARTER, 37MT (SEE ENGINE BREAKDOWN)
3	71391424	1	BRACKET, SOLENOID MTG.
	70921332	1	CAPSCREW, 5/16-18 X 3/4 GR5
4	530132M1	1	SOLENOID
	70931833	2	SCREW, PAN HD TAPPING, 1/4-20 X 1/2
	705004	1	LOCKWASHER, #10
	Y704445	1	NUT, #10-32
	70917372	2	NUT, 5/16-18
5	71389309	1	BREAKER, CIRCUIT, 150A
	70934728	2	SCREW, PAN HD TAPPING, 1/4-20 X 3/4
6	71389313	1	WIRE ASY, START RELAY (APPRX. 6-1/4 LG.)
7	70232758	4	TERMINAL COVER
8	71378104	1	RELAY, 40 AMP
	706382	1	SCREW, RND HD MACH, #10-32 X 1/2
	705004	1	LOCKWASHER, #10
	Y704445	1	NUT, #10-32
10	1907162M1	2	BATTERY, 12V HD/HI-CAPACITY
11	71393713	1	BRACKET, BATTERY SUPPORT
	70921210	4	CAPSCREW, 3/8-16 X 1.0
	704247	4	LOCKNUT, HEX SERR FLANGE, 3/8-16
12	108047W1	2	ROD, BATTERY HOLD DOWN
13	108048W1	1	STRAP, TIE BAR
	704247	8	LOCKNUT, HEX SERR FLANGE, 3/8-16
14	71397729	1	ANGLE, BATTERY SUPPORT
	70921210	3	CAPSCREW, 3/8-16 X 1.0
	704247	3	LOCKNUT, HEX SERR FLANGE, 3/8-16
15	71397726	1	PLATE, BATTERY SUPPORT
	70921210	3	CAPSCREW, 3/8-16 X 1.0
	704247	3	LOCKNUT, HEX SERR FLANGE, 3/8-16
16	108076W1	1	COVER, BATTERY
	Y704361	2	WINGNUT, 3/8-16
17	71409809	1	CABLE, BATTERY, POSITIVE
18	71409822	1	CABLE, BATTERY, NEGATIVE
	Y702951	1	SCR, HEX WSHR HD TAPPG, 3/8-16 X 3/4 (GROUND LUG ATTACH)
19	148203M1	2	CLAMP PAIR, 5/8 DIA DOUBLE, BATT. CABLE
20	101646M1	2	PLATE, TOP COVER
21	70921719	1	CAPSCREW, 5/16-18 X 2-1/2 GR5
	70918431	4	WASHER, 1/2, WIDE
	70917642	1	WASHER, 5/16, WIDE
	70917356	1	LOCKWASHER, 5/16
	70917372	1	NUT, 5/16-18 REG

CONTINUED

MC00397
PR: t05I09o11c0022

ENGINE & BATTERY WIRING
(EFF. S/N HR36101)



9790 COMBINE
ELECTRICAL

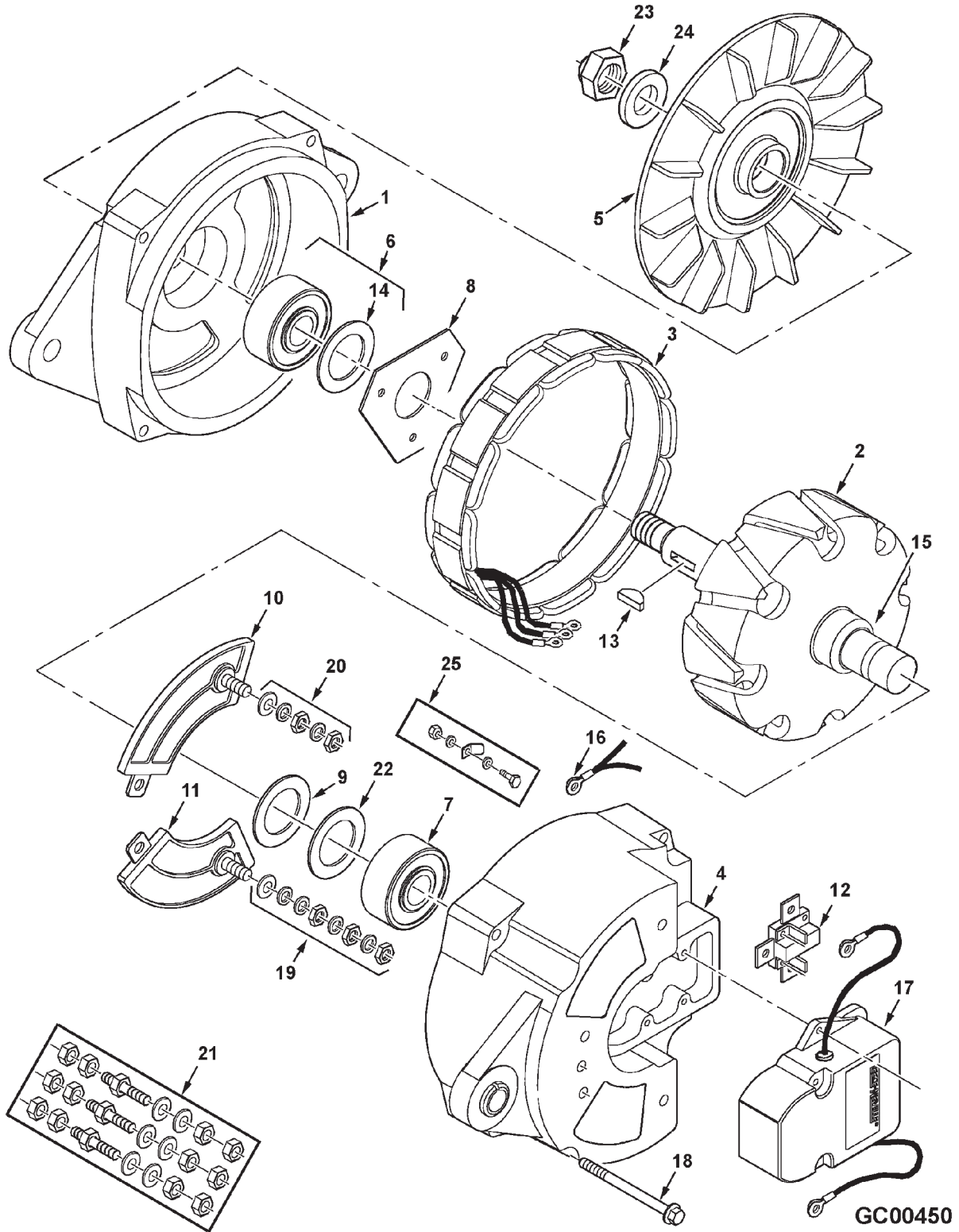
227

ENGINE & BATTERY WIRING
(EFF. S/N HR36101)

ITEM	NUMBER	QTY	DESCRIPTION
22	71337414	1	BRACKET
23	7703507	1	CAPSCREW, 5/16-18 X 2 GR5
	70918431	1	WASHER, 1/2, WIDE
	70917642	1	WASHER, 5/16, WIDE
	70917356	1	LOCKWASHER, 5/16
	70917372	1	NUT, 5/16-18 REG
24	71396952	1	HOSE, SPLIT, .63 ID X 11.8 LG(PROTECTOR)
	70925094	2	TIE, NYLON LOCKING, .184 X 7.31
26	71396957	1	ALTERNATOR ASY, 150A (SEE BREAKDOWN)
27	71409807	1	CABLE, BATTERY, POSITIVE
28	71409810	1	BRACKET, BATTERY DISCONNECT
29	71409811	1	SWITCH, BATT DISCNT(INCL KEY & M10 HDWR)
	71409812	1	KEY, SHUTOFF
	339402X1	2	NUT, M10 REG
	70917378	2	WASHER, 3/8, WIDE
	339376X1	2	LOCKWASHER, M10
	7703457	2	CAPSCREW, 1/4-20 X 3/4 GR5
	705012	2	LOCKWASHER, 1/4
	70916622	2	NUT, 1/4-20, REG
31	71389746	1	SWITCH, ROTOR PRESSURE
	70921885	1	O-RING, .078 X .468 ID

MC00397
PR: t05I09o11c0022

ALTERNATOR - 150 AMP



9790 COMBINE
ELECTRICAL

229

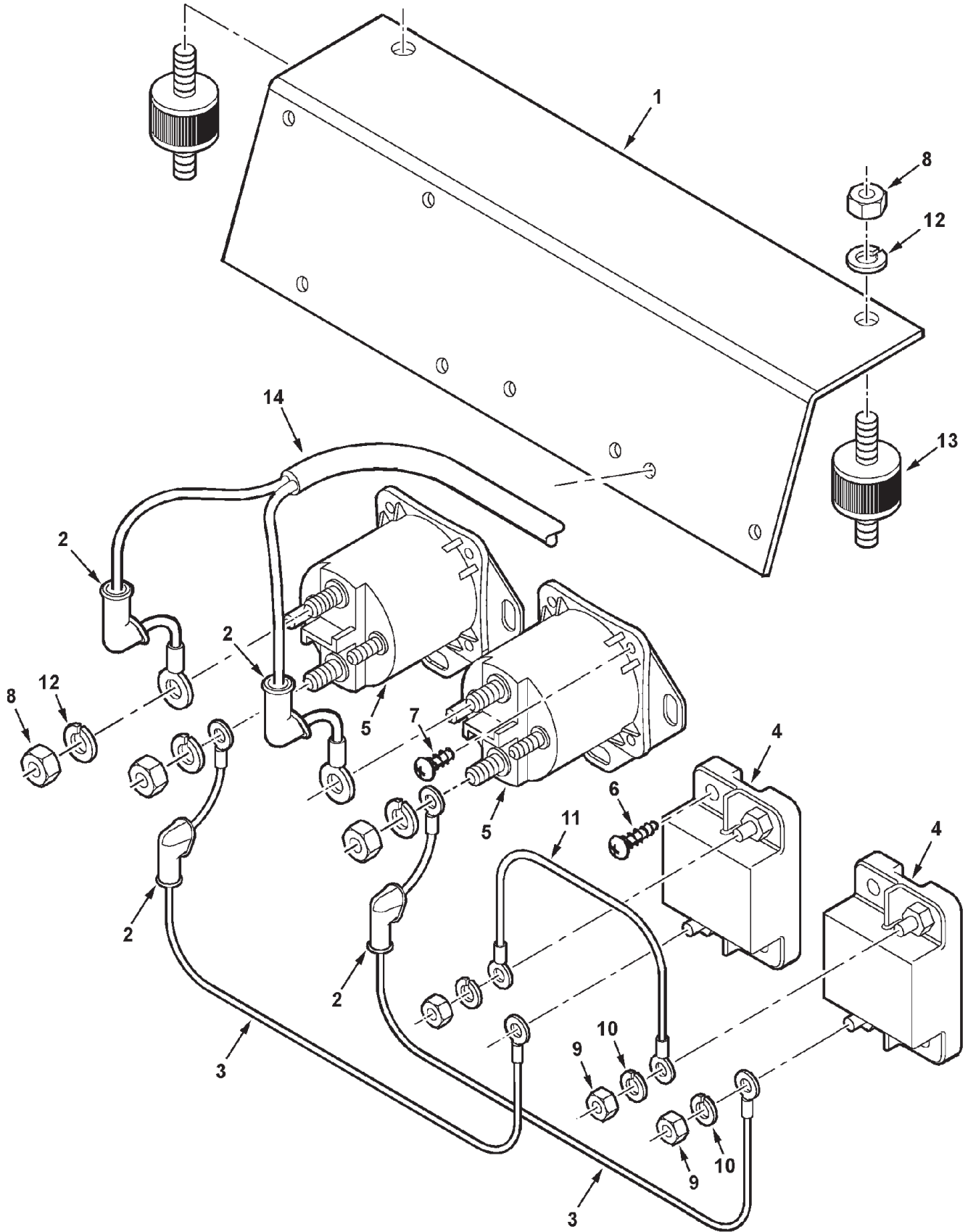
ALTERNATOR - 150 AMP

ITEM	NUMBER	QTY	DESCRIPTION
-	71396957	1	ALTERNATOR, LEECE NEVILLE, 150 AMP
1	71407431	1	FRONT HOUSING
2	71407436	1	ROTOR ASY
3	71407434	1	STATOR ASY
4	71407446	1	REAR HOUSING
5	71407428	1	FAN
6	71407432	1	FRONT BEARING PKG.
7	71407440	1	REAR BEARING
8	71407429	1	FRONT BEARING RETAINER PKG.
9	71407438	1	REAR BEARING RETAINER
10	71407442	1	DIODE RING ASY, NEGATIVE
11	71407441	1	DIODE RING ASY, POSITIVE
12	71407448	1	BRUSH ASY
13	71407435	1	KEY, WOODRUFF
14	71407433	1	SEAL, FRONT BEARING
15	71407437	1	SLIP RING
16	71407445	1	CABLE ASY, RECT.
17	71407450	1	REGULATOR KIT
18	71407430	1	THRU BOLT PKG.
19	71407443	1	TERMINAL STUD PKG, POSITIVE
20	71407444	1	TERMINAL STUD PKG, NEGATIVE
21	71407449	1	TERMINAL STUD PKG, AC
22	71407439	1	SPACER, REAR BEARING
23	71407426	1	LOCK NUT, PULLEY
24	71407427	1	WASHER, 5/8
25	71407447	1	AC FLAG TERMINAL PKG.

GC00450
PR: t05b08m42d0003

9790 COMBINE
ELECTRICAL

GRID HEATER
(PRIOR S/N HR36101)



9790 COMBINE
ELECTRICAL

231

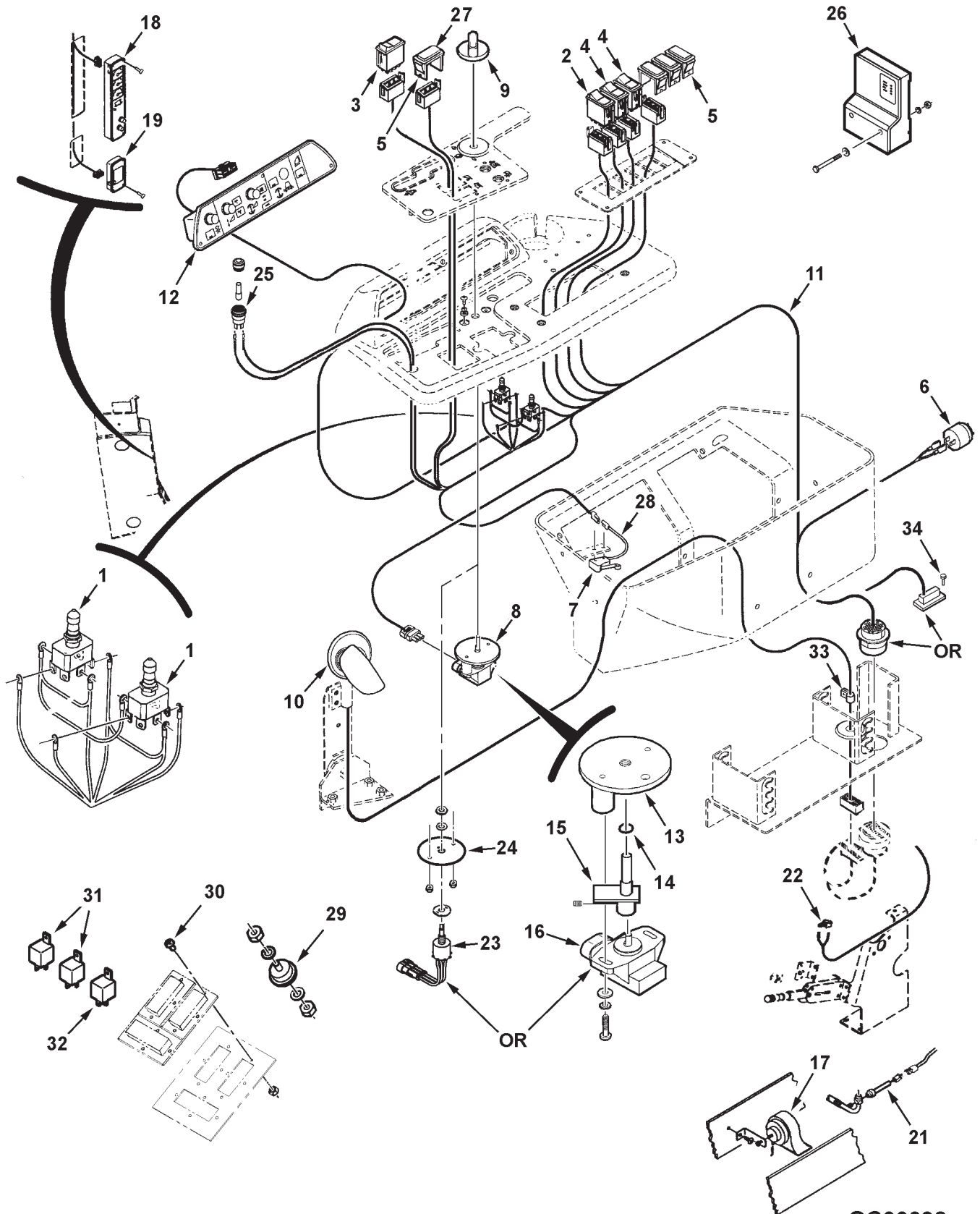
GRID HEATER
(PRIOR S/N HR36101)

ITEM	NUMBER	QTY	DESCRIPTION
1	71386805	1	BRACKET, RELAY
2	70232758	4	COVER, TERMINAL
3	71386806	2	WIRE ASY, INTERCONNECT RELAYS AND CIRCUIT BREAKERS
4	71387908	2	BREAKER, CIRCUIT (120 AMP)
5	71347910	2	SWITCH, SOLENOID
6	70934728	4	SCREW, 1/4-20 X 3/4, TAPTITE
7	70931833	4	SCREW, 1/4-20 X 1/2, TAPTITE
8	70917372	6	NUT, HEX 5/16-18
9	70917415	4	NUT, HEX #10-32
10	705004	4	WASHER, LOCK #10-32
11	71389310	1	WIRE ASSY, INTERCONNECT CIRCUIT BREAKERS
12	70917356	6	WASHER, LOCK, 5/16
13	71390316	2	ISOLATOR
14	71386807	1	WIRE ASY, GRID HEATER

MC00229
PR: 126

9790 COMBINE
ELECTRICAL

CAB COMPONENTS
CONTROLS & SWITCHES



**9790 COMBINE
ELECTRICAL**

233

**CAB COMPONENTS
CONTROLS & SWITCHES**

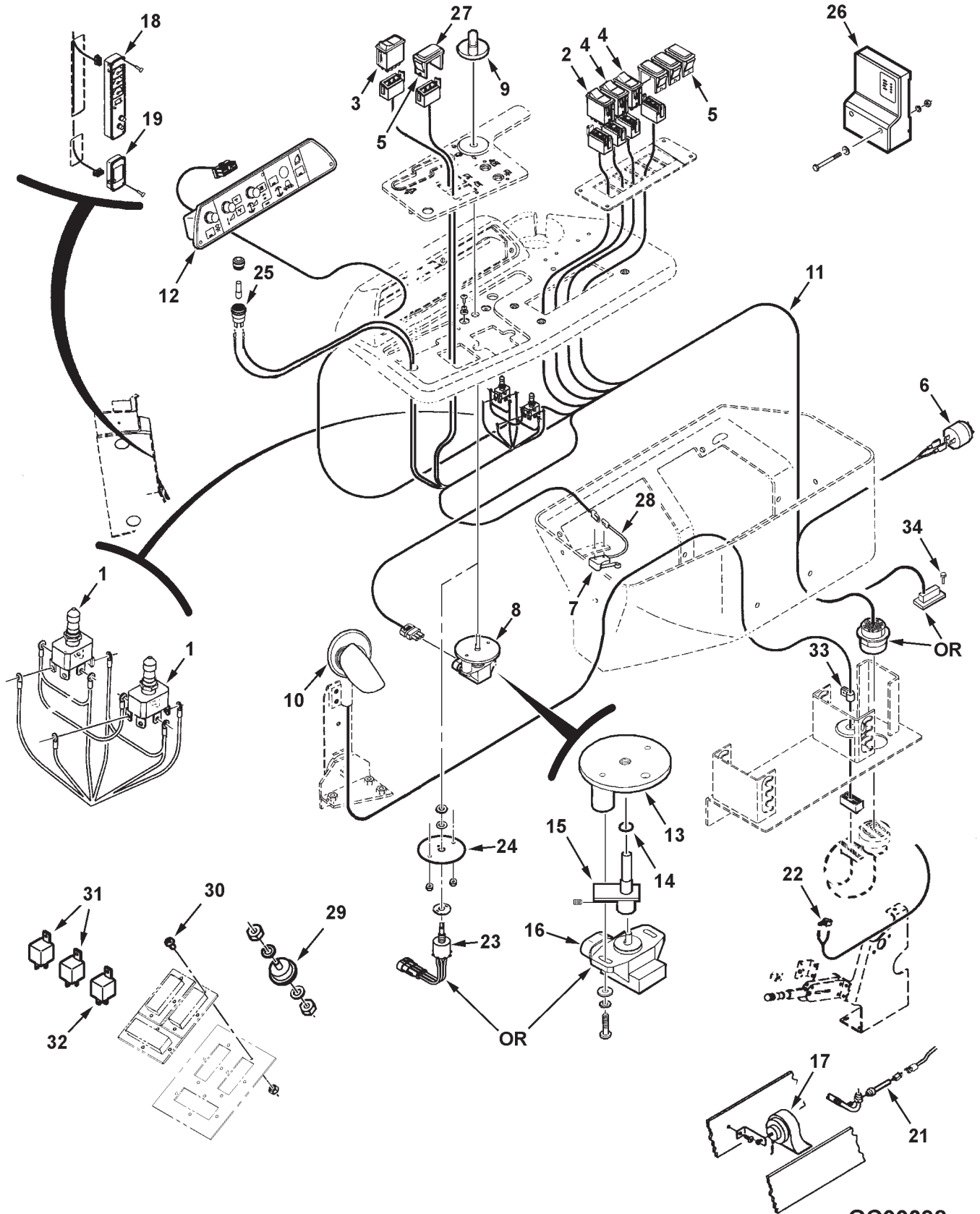
ITEM	NUMBER	QTY	DESCRIPTION
1	700726696	2	SWITCH, LEVER LOCK
2	71387413	1	SWITCH, SPEED, HARE/TORTOISE
3	71387416	1	SWITCH, HEADER REVERSE
4	71387417	2	SWITCH, INCREASE/DECREASE
5	71390325	4	PLUG, SWITCH
6	112236W1	1	ALARM BUZZER
7	-----	-	SWITCH, PROXIMITY, BACK-UP (SERVICE W/ 107041 & 71385907 WIRE ASY.)
	107041	1	SWITCH, MICRO, BACK-UP (SEE "CAB, SEAT CONSOLE" FOR MOUNTING BRACKET)
	700701772	2	SCR, MACH, PAN HD, #6-32 X 1
	195441M1	2	LOCKWASHER, #6
	704551	2	NUT, #6-32 REG
8	71393931	1	THROTTLE ASY. (INCLUDES COMPONENT ITEMS 13-16)(PRIOR S/N HR36101)
	700710188	2	SCREW, PAN HD, MACH. #6-32 X 3/4
	70917395	2	LOCKWASHER, #8
	70923906	2	WASHER, #8, NARROW
9	71396391	1	KNOB, THROTTLE
10	71388133	1	HANDLE ASY., HYDRO (SEE BREAKDOWN)
	70921332	2	CAPSCREW, 5/16-18 X 3/4
11	71387408	1	HARNESS, CONSOLE (PRIOR S/N HR36101)
	71407298	1	HARNESS, CONSOLE (EFF. S/N HR36101)
12	71393285	1	CONTROLLER - CONSOLE
	108664W1	3	KNOB
	71394716	3	SHAFT, KNOB
	70937280	3	SCREW, PAN HD TAPPING, #8-32 X 3/4
	71393926	3	WELLNUT, #8-32
13	71398169	1	BRACKET, THROTTLE SUPPORT
14	70923559	1	O-RING
15	71393623	1	SHAFT, THROTTLE
	70923520	1	SCREW, SET #8-32 X 1/4
16	71391869	1	SENSOR, ROTARY POSITION
	700710188	2	SCR, PAN HD, MACH. #6-32 X 3/4
	70917395	2	LOCKWASHER, #8
	70923906	2	WASHER, #8, NARROW
17	71406492	1	HORN
	7701501	1	SCR,HX WSHR HD TAPPING, 1/4-14 X 3/4
18	71389811	1	CLUSTER, GAUGE (FUEL, OIL PRESS, TEMP, AND GRAIN LOSS MONITOR)
	108664W1	2	KNOB
	71394716	2	SHAFT, KNOB
	70937280	4	SCREW, PAN HD TAPPING, #8-32 X 3/4
	71393926	4	WELLNUT, #8-32
19	71393277	1	CONTROL, TACHOMETER
	700720863	4	SCREW, PAN HD. MACH. #8-32 X 2.0
	71393926	4	WELLNUT, #8-32
21	71372724	1	SWITCH, LOW PRESSURE
22	71395848	1	SWITCH, PARK BRAKE
23	71406894	1	THROTTLE SWITCH ASY (EFF. S/N HR36101)

CONTINUED

GC00398
PR: 128

9790 COMBINE
ELECTRICAL

CAB COMPONENTS
CONTROLS & SWITCHES



**9790 COMBINE
ELECTRICAL**

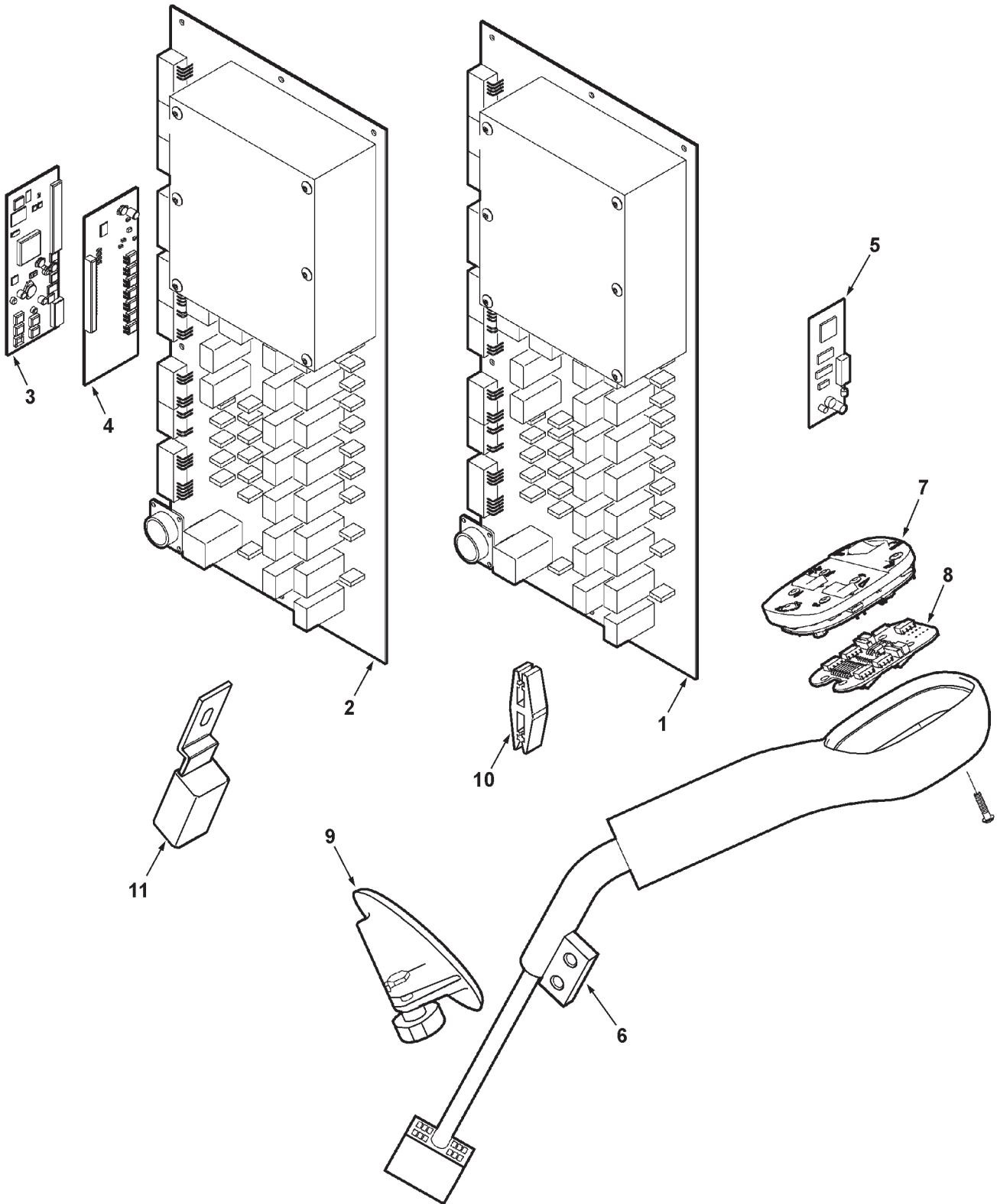
235

**CAB COMPONENTS
CONTROLS & SWITCHES**

ITEM	NUMBER	QTY	DESCRIPTION
24	71400505	1	PLATE, THROTTLE MTG (EFF. S/N HR36101)
	700710188	2	SCREW, PAN HD MACH. #6-32 X 3/4
	70917395	2	LOCKWASHER, #8
	70923906	4	WASHER, #8, NARROW
	704551	2	NUT, #6-32 REG
	70917459	2	LOCKWASHER, #6
25	112812W1	1	SOCKET ASY, LAMP
	112811W1	1	LAMP, PILOT
	112814W1	1	LENS, AMBER
26	71379323	1	CONTROL, ROTOR SPEED (PRIOR S/N HR36101)
	7701964	2	CAPSCREW, 1/4-20 X 2-1/2 GR2
	705012	2	LOCKWASHER, 1/4 REG
	70917377	2	WASHER, HARD, 1/4
27	71387414	1	SWITCH, ON/OFF, RWA
28	71385907	1	WIRE ASY, MICRO SWITCH(PRIOR S/N HR36101)
29	72500822	2	TERMINAL, FEED THRU, 3/8-16 UNC
30	700711659	12	SCREW, PAN HD MACH, #8-32 X 3/4
	107320M1	12	LOCKNUT, HEX SERR FLANGE, #8-32
31	71390323	2	RELAY, 70 AMP
32	72160919	1	RELAY, 40 AMP
33	70927097	1	CLAMP, LINE, 1/2 DIA X .281 HOLE (EFF. S/N HR36101)
	7883283	1	SCREW, HEX WSHR HD MACH, 1/4-20 X 1
	70931209	1	LOCKNUT, HEX SERR FLANGE, 1/4-20
34	700711659	2	SCREW, PAN HD MACH, #8-32 X 3/4 (EFF. S/N HR36101)
	107320M1	2	LOCKNUT, HEX SERR FLANGE, #8-32

GC00398
PR: 128

CAB COMPONENTS
FUSE PANEL & HYDRO HANDLE



**9790 COMBINE
ELECTRICAL**

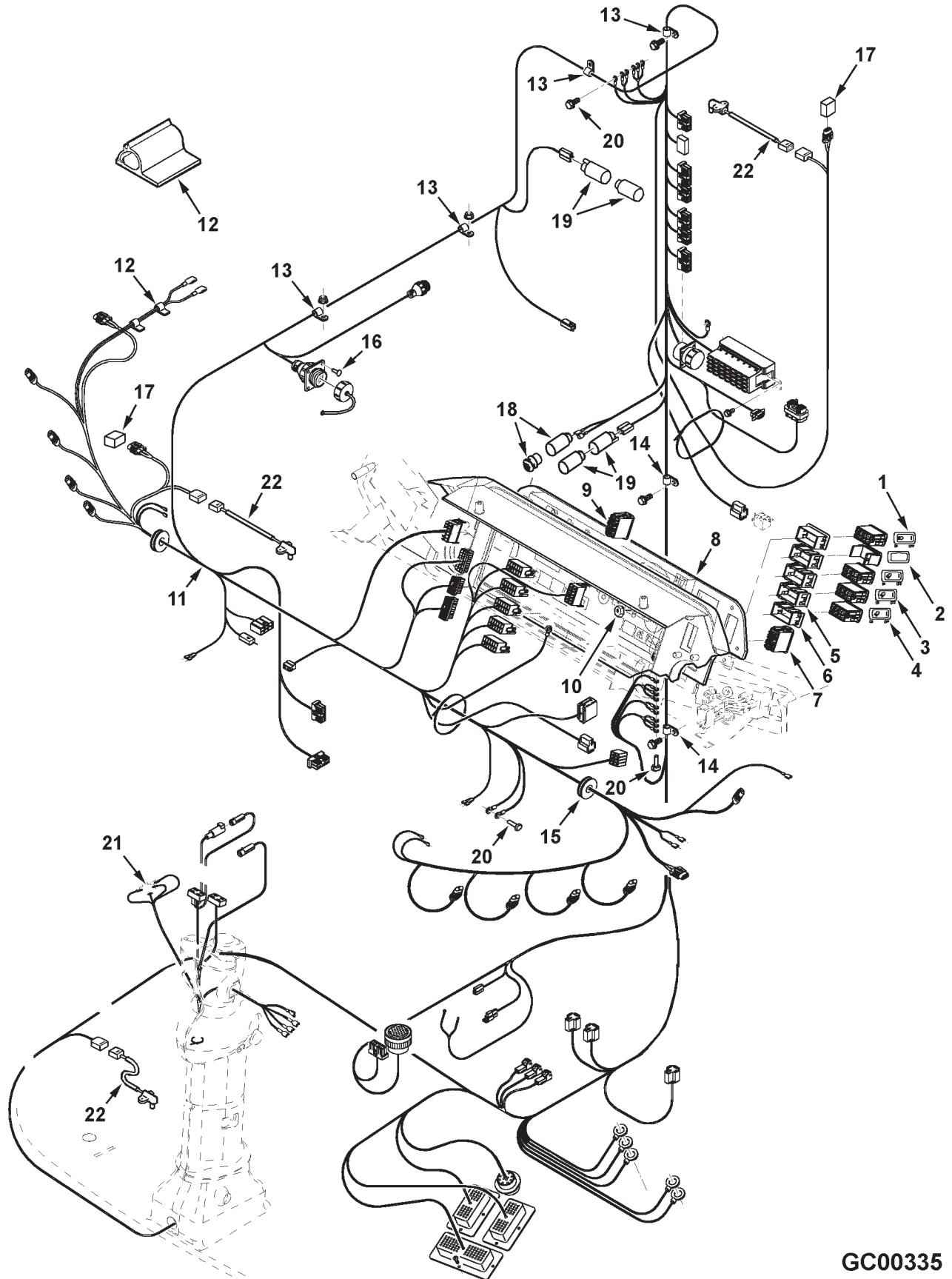
237

**CAB COMPONENTS
FUSE PANEL & HYDRO HANDLE**

ITEM	NUMBER	QTY	DESCRIPTION
1	71394717	1	PANEL ASY., FUSE (INCL. ITEMS 2,3,4) (PRIOR S/N HR36101)
	71406480	1	PANEL ASY, FUSE (INCL. ITEMS 2,3,4) (EFF. S/N HR36101)
	71389815	10	BOLT, PLASTIC ISOLATOR, #8-32 UNC
	70917395	10	LOCKWASHER, #8
	774745	10	NUT, #8-32 UNC
	7883267	1	SCR, HEX WSHR HD MACH, 1/4-20 X 1/2
	700721620	9	MINI FUSE, 3 AMP
	70937605	8	MINI FUSE, 5 AMP
	70937606	5	MINI FUSE, 10 AMP
	70937607	AR	MINI FUSE, 15 AMP (NOT INCLUDED)
	70937608	AR	MINI FUSE, 20 AMP (NOT INCLUDED)
	70937609	AR	MINI FUSE, 25 AMP (NOT INCLUDED)
	70937610	AR	MINI FUSE, 30 AMP (NOT INCLUDED)
	71396970	3	PCB RELAY, 40 AMP
	71396971	17	PCB RELAY, 20 AMP
	71396972	1	LID, CARD CAGE (NOT ILLUS)
2	71389812	1	PANEL, FUSE
3	71389813	1	CARD, MAIN CONTROL (PRIOR S/N HR36101)
	71406481	1	CARD, MAIN CONTROL (EFF. S/N HR36101)
4	71389814	1	CARD, OUTPUT DRIVER
5	71393350	1	CARD, FIELDSTAR INTERFACE (OPT.)
6	71388133	1	HANDLE ASY, HYDRO (INCLUDES ITEMS 7,8,9)
	-----	1	HANDLE & SUPP'T ASY, HYDRO (ORDER HYDRO HANDLE ASY.)
7	71397940	1	DECK ASY. SWITCHES
	195441M1	4	LOCKWASHER, #6
	-----	4	SCREW, HEX SOCK BUTTON HD, #6-32 X 5/8 (SERVICE W/ 71408201)
	71408201	4	SCREW, TORX HD, #6-32 X 3/4, BLACK
8	71397941	1	CIRCUIT BOARD ASY., HANDLE
9	71397942	1	PALM/WRIST REST KIT, HANDLE
10	71375902	1	FUSE PULLER
11	72160919	1	RELAY, 40 AMP

GC00332
PR: 130

CAB COMPONENTS
UPPER CONSOLE



**9790 COMBINE
ELECTRICAL**

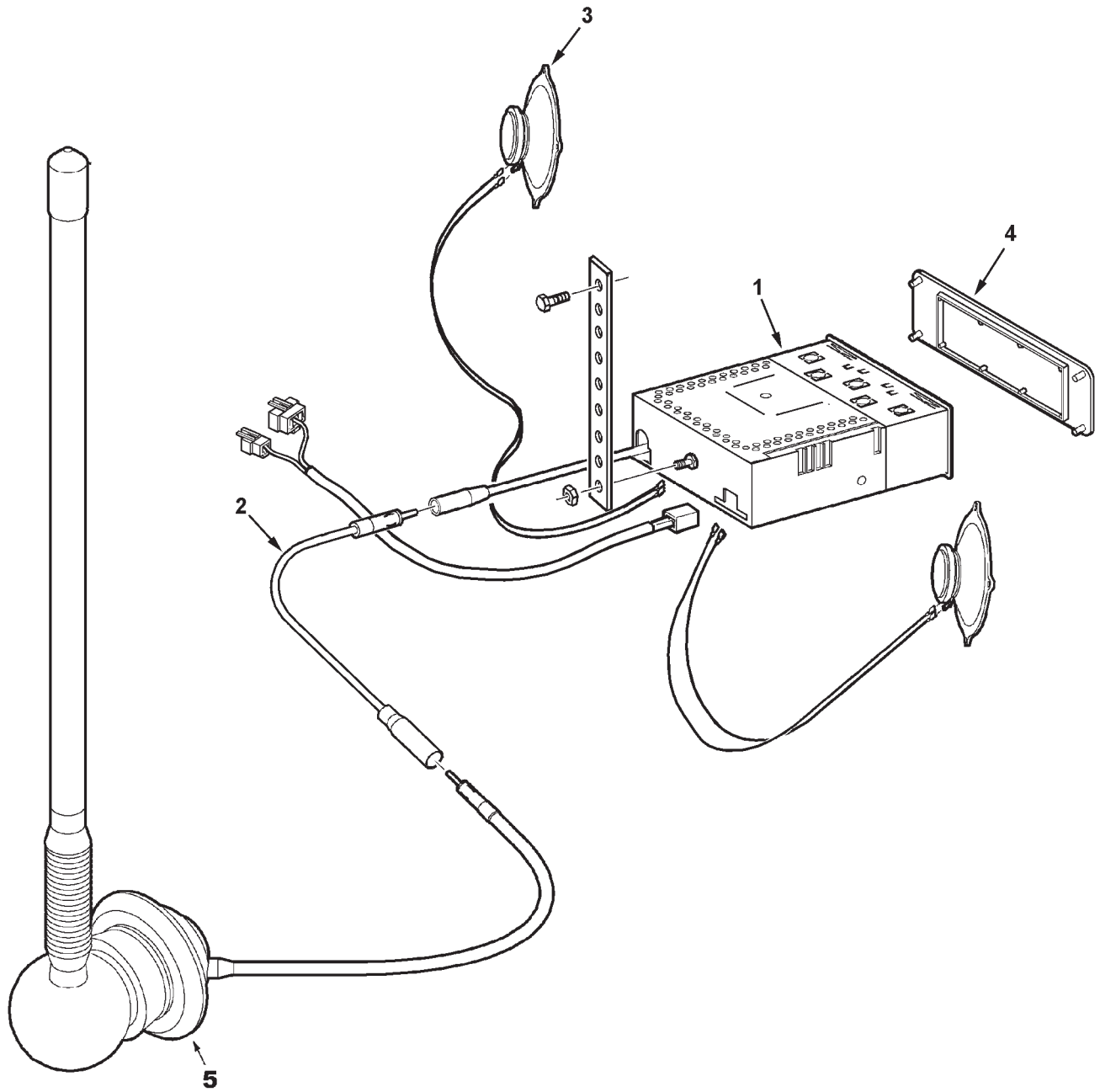
239

**CAB COMPONENTS
UPPER CONSOLE**

ITEM	NUMBER	QTY	DESCRIPTION
1	71387423	1	SWITCH, EXIT LIGHT
2	71390325	1	PLUG, SWITCH COVER
3	71387424	2	SWITCH, FIELD LIGHTS
4	71387418	1	SWITCH, HEADLIGHT
5	71391417	3	BEZEL, SWITCH CENTER
6	71391416	2	BEZEL, SWITCH END
7	71387422	1	SWITCH, HAZARD
8	71406478	1	PANEL, ELECTRONIC INSTRUMENT (E.I.P.)
	70935072	4	SCREW, PAN HD. SELF-TAP 1/4-20 X 5/8
9	71387420	1	SWITCH, WIPER, FRONT GLASS
10	Y704445	1	NUT, HEX #10-32
11	71406476	1	HARNESS, CAB (PRIOR S/N HR36101)
	71407297	1	HARNESS, CAB (EFF. S/N HR36101)
	71412358	1	HARNESS, CAB (EFF. S/N HR36221)
	71413325	1	HARNESS, CAB (EFF. S/N HS36---)
12	70569880	2	CLIP, WIRING, SELF-ADHESIVE PLASTIC
13	70926874	4	CLAMP, HARNESS, 1-1/2 X .406 HOLE
	7883325	1	SCREW,HX WSHR HD MACH, 5/16-18 X 3/4
	70931277	2	LOCKNUT, SERR. FLANGE, 5/16-18
14	70936765	2	CLAMP, HARNESS, 1-3/4 X .406 HOLE
	7883325	2	SCREW,HX WSHR HD MACH, 5/16-18 X 3/4
15	70937658	1	GROMMET, RUBBER
16	70937550	4	SCR,PHILLIPS PAN HD,TAPPING, #8-18 X 3/4 (FIELDSTAR PLUG)
17	3714264M1	2	SENSOR, AIR TEMPERATURE
18	71365477	1	ELEMENT, LIGHTER
	71365476	1	HOUSING, LIGHTER
19	107500M1	2	SOCKET, AUX. POWER
	107499M1	2	PLUG, AUX. POWER SOCKET
20	701953	3	SCR, HEX WSHR HD TAPPING, 5/16-18 X 3/4
	70920426	2	LOCKWASHER, EXT TOOTH, 5/16
21	Y704445	4	NUT, #10-32 UNF
	705004	4	LOCKWASHER, #10
22	71413062	3	SENSOR, TEMP, A/C (EFF. S/N HS36---)
	700728339	3	TAPE, ADHESIVE, SENSOR

GC00335
PR: 132

CAB COMPONENTS
RADIO AND ANTENNA



9790 COMBINE
ELECTRICAL

241

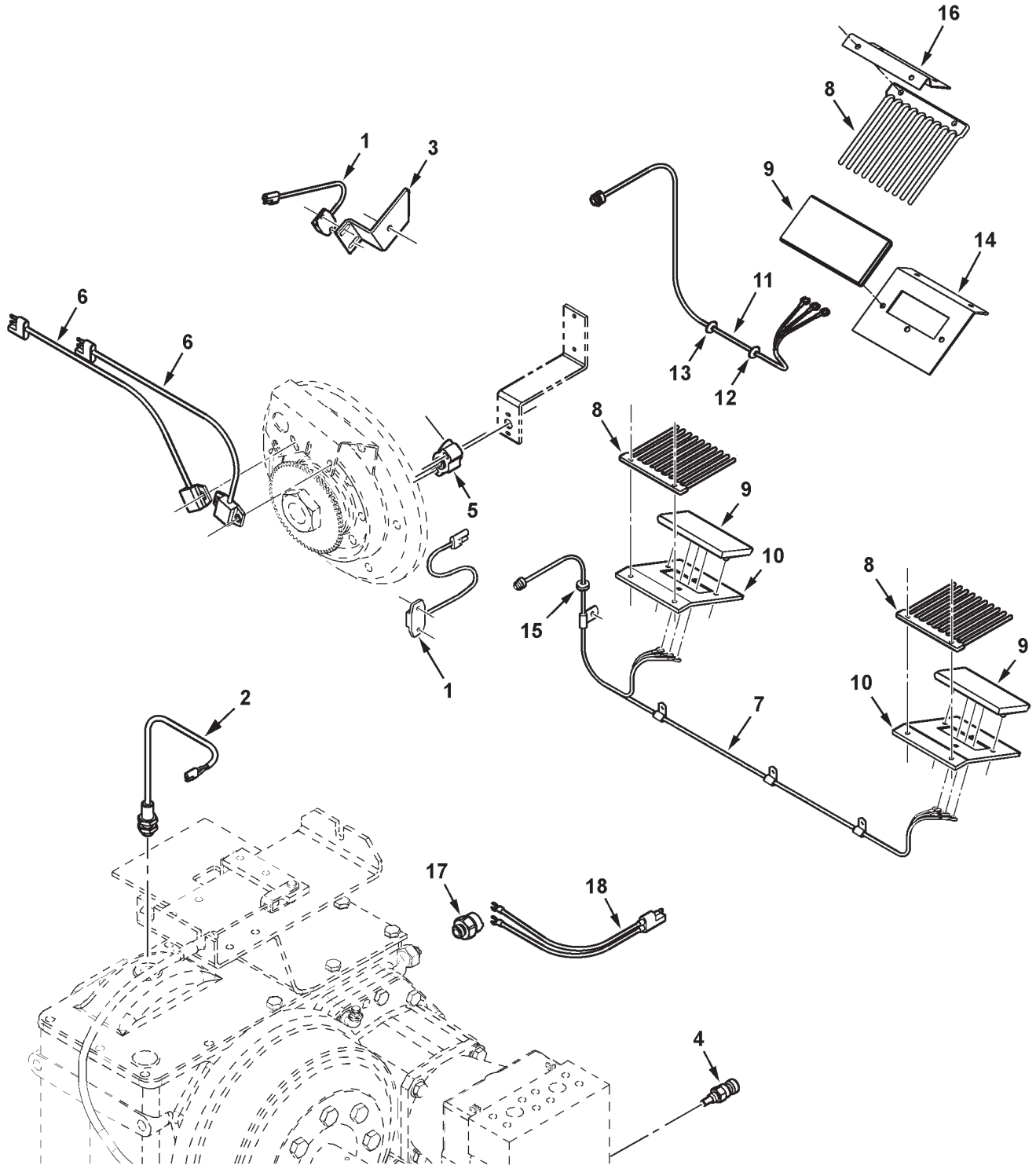
CAB COMPONENTS
RADIO AND ANTENNA

ITEM	NUMBER	QTY	DESCRIPTION
1	RE701169D6	1	* RADIO, AM/FM, CD, WEATHERBAND
	RE701141D6	1	* RADIO, AM/FM, CASSETTE, WEATHERBAND
	RE701128D6	1	* RADIO, AM/FM, CASSETTE
2	RE530013	1	CABLE, ANTENNA EXTENSION
3	71393287	2	SPEAKER, 5-1/4 POLYCONE
	700701772	8	SCREW, PAN HD. MACH. #6-32 X 1.0
	700703830	8	WASHER, FLAT #6
	195441M1	8	LOCKWASHER, #6
	704551	8	HEXNUT, #6-32
4	71362813	1	PANEL, BLANK, W/O RADIO
	70932720	4	NUT, SPEED
5	RE210066	1	ANTENNA ASY., W/CABLE
-	71406069	1	** KIT, RADIO, AM/FM, CD, WEATHERBAND
-	71398028	1	** KIT, RADIO, AM/FM,CASSETTE,WEATHRBAND

* INCL. HARNESS, MTG STRAP & HRDWR
** FIELD INSTALL. ORDER THRU DLR CENTRAL

GC00338
PR: 134

MONITORING SYSTEMS
DIGITAL TACHOMETER



**9790 COMBINE
ELECTRICAL**

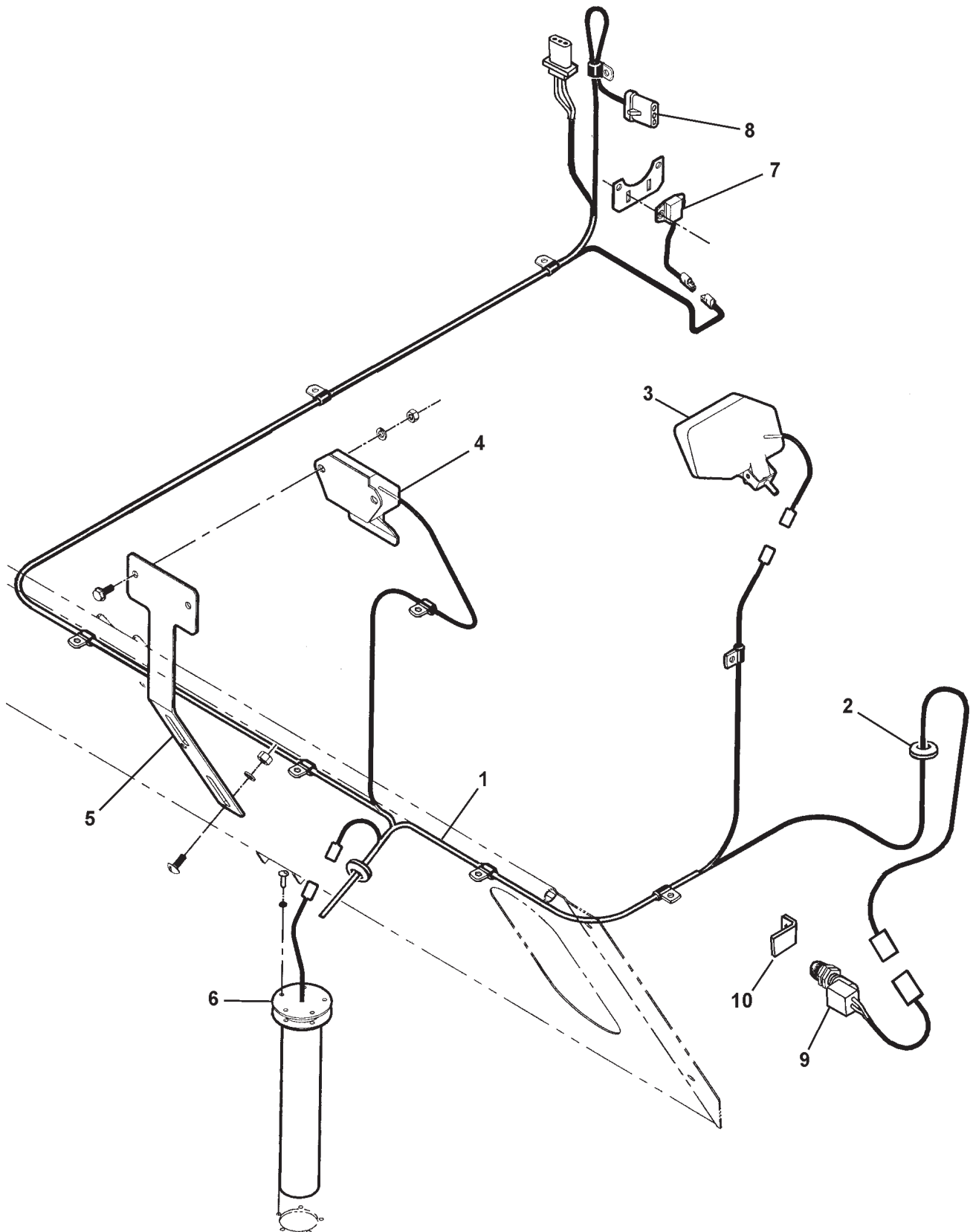
243

**MONITORING SYSTEMS
DIGITAL TACHOMETER**

ITEM	NUMBER	QTY	DESCRIPTION
1	71391021	4	SENSOR ASY., TWO WIRE
	70931317	8	BOLT, RD HD,SHT SQ NK, 1/4-20 X 3/4
	705012	8	LOCKWASHER, 1/4
	70916622	8	HEXNUT, 1/4-20
2	71389818	1	SENSOR, GROUND SPEED
3	71385108	1	BRACKET, BEATER SPEED SENSOR
4	71393718	1	SENSOR, HYDRO TEMP
	70936326	1	O-RING, .072 X .414 ID
5	71376825	1	SENSOR, CONCAVE POS'N (SEE "PROCESSOR")
	70918151	2	SCREW, TRUSS HD MACH #10-32 X 1-1/4
	70917380	2	WASHER, #10
	705004	2	LOCKWASHER, #10
	Y704445	2	HEXNUT, #10-32
6	71383914	1	SENSOR,ROTOR SPD(QTY 2 PRIOR S/N HR36101
	70931317	2	BOLT, RD HD,SHT SQ NK, 1/4-20 X 3/4
	705012	2	LOCKWASHER, 1/4
	70916622	2	HEXNUT, 1/4-20
7	71391018	1	HARNES, SHOE LOSS (TIED TO SHAKER ARM) (PRIOR S/N HP36101)
	71391421	1	HARNES,SHOE LOSS (THRU TWO GROMMETS IN FRAME)(EFF. S/N HP36101)
	70937685	2	J-CLIP, 3/8 X .406 HOLE
	700725918	9	J-CLIP, 5/16 X .281 HOLE
	70931317	4	BOLT, RD HD,SHT SQ NK, 1/4-20 X 3/4
	70916622	4	HEXNUT, 1/4-20
	705012	4	LOCKWASHER, 1/4
	7703457	1	CAPSCREW, 1/4-20 X 3/4 GR5
	70931209	1	NUT, SERR. FLANGE, 1/4-20
	353769X1	1	WASHER, 1/4, HARD
	70930708	1	CLAMP, 5/16 X .344 HOLE (PRIOR S/N HP36101)
8	71393717	4	FINGER DIFFUSER
	7703457	2	CAPSCREW, 1/4-20 X 3/4 GR5
	70916622	2	NUT, 1/4-20 REG
	705012	2	LOCKWASHER, 1/4
9	71412356	4	SENSOR, GRAIN LOSS
	70916622	8	HEXNUT, 1/4-20
	705012	8	LOCKWASHER, 1/4
10	71393716	3	BRKT, GRN LOSS (QTY 4 PRIOR S/N HN36101)
	7770167	6	BOLT, RH HD SQ NK, 1/4-20 X 1.0
	700709601	6	WASHER, 1/4 WIDE
	705012	6	LOCKWASHER, 1/4
	70916622	6	HEXNUT, 1/4-20
11	71391874	1	HARNES, ROTOR GRAIN LOSS
12	700701160	1	GROMMET
13	832653M1	1	GROMMET
14	71401333	1	BRKT,ROTOR LOSS SENSOR (EFF S/N HM36101)
	70916622	2	NUT, 1/4-20 REG
	705012	2	LOCKWASHER, 1/4
15	70937658	2	GROMMET, RUBBER (EFF. S/N HP36101)
16	71409405	1	BRACKET, MOUNTING, FINGER DIFFUSER
17	71342216	1	SWITCH, START
18	71385907	1	WIRE ASM., SWITCH

MC00310
PR: 136

HARNESSES & LIGHTING
GRAIN BIN



**9790 COMBINE
ELECTRICAL**

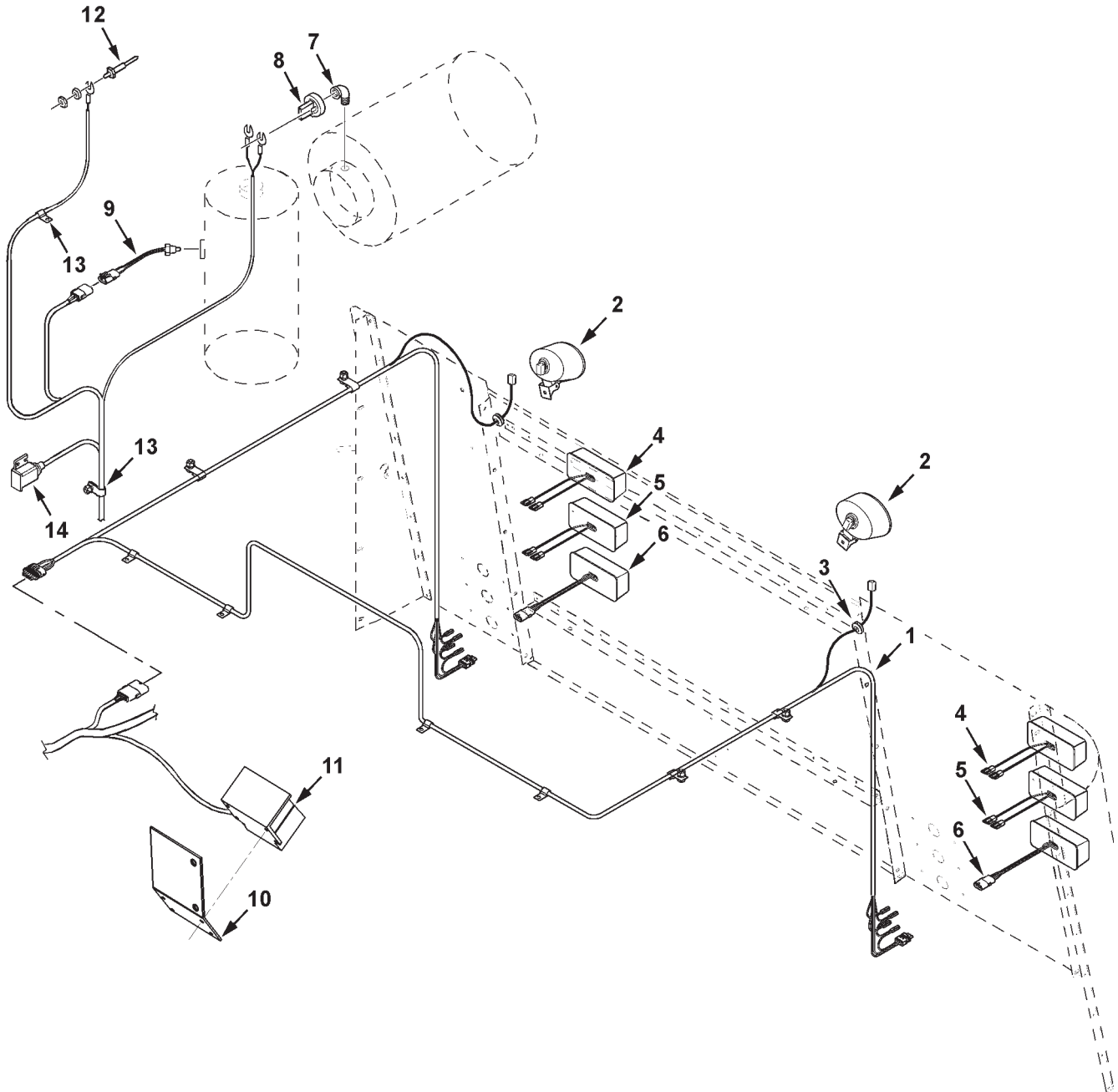
245

**HARNESSES & LIGHTING
GRAIN BIN**

ITEM	NUMBER	QTY	DESCRIPTION
1	71391020	1	HARNESS, GRAIN BIN
	70937685	11	J-CLIP, 3/8 X .406 HOLE
	70936314	5	J-CLIP, 1/2 X .406 HOLE
	70921332	AR	CAPSCREW, 5/16-18 X 3/4
	70917356	AR	LOCKWASHER, 5/16
	70917372	AR	HEXNUT, 5/16-18
	70925094	3	TIE, BLACK NYLON, .184 X 7.31
2	700708340	1	GROMMET, RUBBER
3	71393704	1	LIGHT, GRAIN BIN
4	71375911	1	SENSOR, BIN LEVEL
	7883325	2	SCREW, WSHR HD MACH, 5/16-18 X 3/4
	70917356	2	LOCKWASHER, 5/16
	70917372	2	HEXNUT, 5/16-18
5	71393742	1	BRACKET, BIN LEVEL SENSOR
6	71407293	1	SENDER, FUEL LEVEL W/ GASKET
	3729528M1	5	SCREW, PAN HD MACH, #10-24 X 1-1/4
	705004	5	LOCKWASHER, #10 REG
	70917380	5	WASHER, .219 X .50 X .049 TH
	71398110	1	GASKET, SENDER
7	71391021	1	SENSOR, TWO WIRE
	70931317	2	BOLT, RD HD,SHT SQ NK, 1/4-20 X 3/4
	705012	2	LOCKWASHER, 1/4
	70916622	2	HEXNUT, 1/4-20
8	71188145	1	BRACKET, SHAFT
9	293766M1	1	SWITCH, MOMENTARY
10	2495780W1	1	BRACKET, UNLOADER INDICATOR
	703249	1	CAPSCREW, 3/8-16 X 1.0
	70917378	3	WASHER, WIDE, 3/8
	705038	1	LOCKWASHER, 3/8
	70916950	1	HEXNUT, 3/8-16

MCO0306
PR: 138

ELECTRICAL HARNESSES
REAR



9790 COMBINE
ELECTRICAL

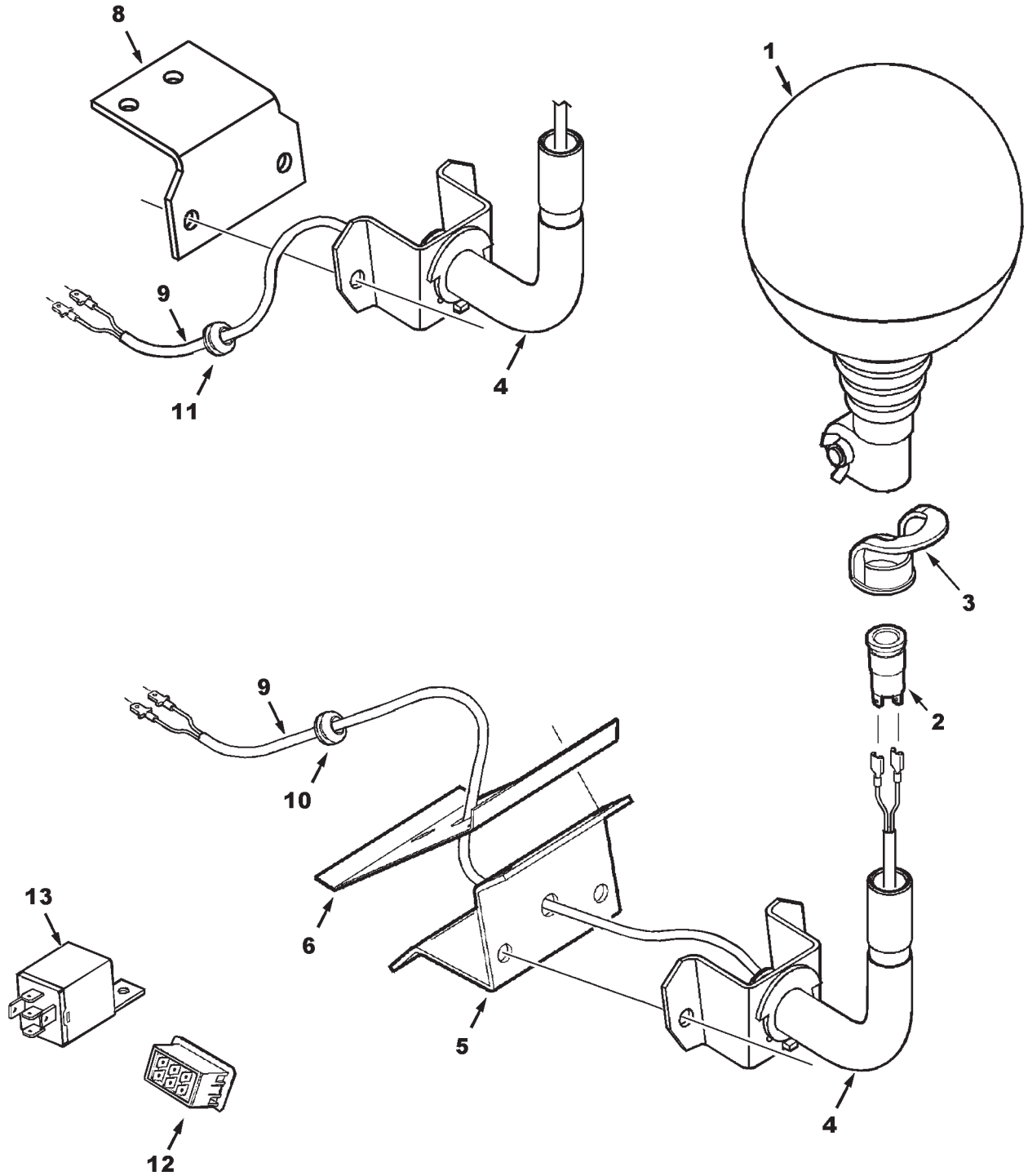
247

ELECTRICAL HARNESSSES
REAR

ITEM	NUMBER	QTY	DESCRIPTION
1	71391709	1	HARNESS, TAIL LIGHT
	70937677	1	J-CLIP, 1.0 X .406 HOLE
	70936314	9	J-CLIP, 1/2 X .406 HOLE
	70921965	4	CAPSCREW, 3/8-16 X 3/4
	705038	4	LOCKWASHER, 3/8
	70916950	4	HEXNUT, 3/8-16
	70925094	AR	TIE, SELF-LOCK .184 X 7.31
2	700726172	2	LIGHT, FLOOD
	700722351	2	BULB, HALOGEN, 12V (GE #862)
3	70937691	2	GROMMET
4	72503309	2	LAMP ASY., WARNING (AMBER)
	1018729M1	1	BULB, 1156
	72501110	1	LENS, REPLACEMENT
	3729545M1	4	SCREW, PAN HD MACH, #10-24 X 2-1/2
	705004	4	LOCKWASHER, #10
	70916621	4	NUT, #10-24, REG
5	71391871	2	LAMP ASY., BACKUP (CLEAR)
	1018729M1	1	BULB, 1156
	3729545M1	4	SCREW, PAN HD MACH, #10-24 X 2-1/2
	705004	4	LOCKWASHER, #10
	70916621	4	NUT, #10-24, REG
6	700726168	2	LAMP ASY., TURN SIGNAL (RED)
	70928348	1	BULB, 1157
	-----	1	LENS, REPLACEMENT (ORDER ASY.)
	700718599	AR	KIT, CONNECTOR REPAIR
	3729545M1	4	SCREW, PAN HD MACH, #10-24 X 2-1/2
	705004	4	LOCKWASHER, #10
	70916621	4	NUT, #10-24, REG
7	70915955	1	ELBOW, 90 DEG FEM. 1/8-27 NPTF
8	31-2530050	1	SWITCH, AIR CLEANER VACUUM
9	71391418	1	SENSOR, OIL LEVEL (PRIOR S/N HS36101)
10	71398850	1	BRKT, BACK-UP ALARM (EFF. S/N HP36101)
11	71389319	1	ALARM, BACK-UP (EFF. S/N HP36101)
	7703457	4	CAPSCREW, 1/4-20 X 3/4 GR5
	705012	4	LOCKWASHER, 1/4
	704007	4	NUT, 1/4-20, REG
12	71193260	1	SENDER, RADIATOR LEVEL
	705004	1	LOCKWASHER, #10
	Y704445	1	HEXNUT, #10-32
13	70937685	2	J-CLIP, 3/8 DIA X .406 HOLE
	70929722	1	J-CLIP, 3/16 DIA X .281 HOLE
14	71391870	1	SERVICE LIGHT, MAGNETIC
	71397725	AR	OUTLET SOCKET, 12V, SERVICE LIGHT
	70936592	4	SCREW, PAN HD TAPPING, #10-16 X 3/4

MC00363
PR: 140

BEACON LIGHTS
FIELD KIT



9790 COMBINE
ELECTRICAL

249

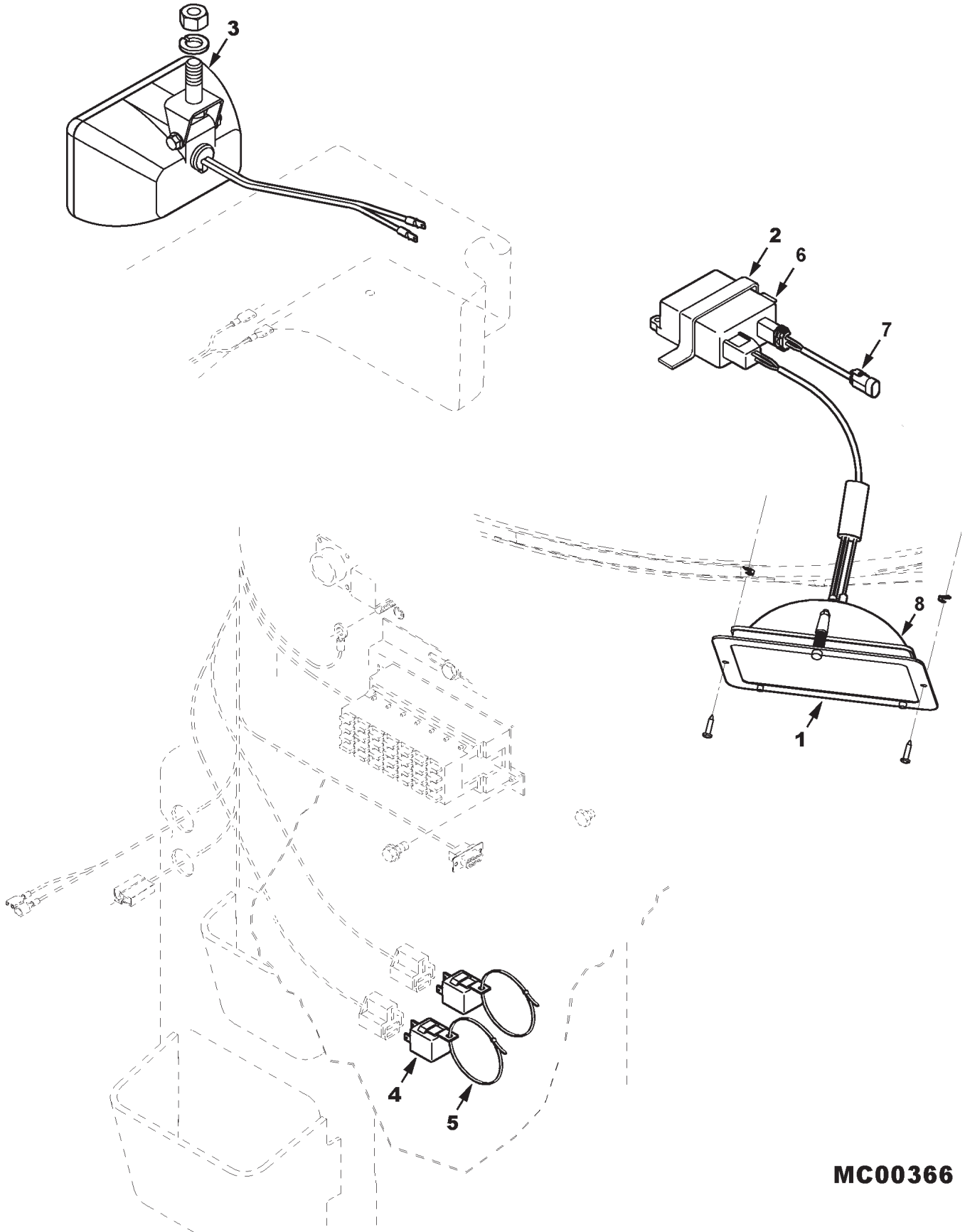
BEACON LIGHTS
FIELD KIT

ITEM	NUMBER	QTY	DESCRIPTION
-	71395048	1	* KIT, BEACON LIGHT (PRIOR S/N HN36101)
-	71402108	1	* KIT, BEACON LIGHT (EFF. S/N HN36101)
1	3715144M92	2	BEACON
2	3617860M1	2	PLUG, BEACON
3	3617859M1	2	CAP, BEACON
4	3778093M91	2	SUPPORT, BEACON
	7883382	4	SCREW, HEX WSHR HD MACH, 3/8-16 X 1
	704247	4	LOCKNUT, SERRATED FLANGE, 3/8-16
5	71391403	1	BRACKET, BEACON MTG. (FRONT)
	7883382	3	SCREW, HEX WSHR HD MACH, 3/8-16 X 1
	704247	3	LOCKNUT, SERRATED FLANGE, 3/8-16
6	71391404	1	PLATE, BACKUP (FRT)
8	71388391	1	BRACKET, BEACON MTG. (REAR)
9	71395830	2	HARNESS, BEACON LIGHT (FRT & REAR)
10	70923510	1	GROMMET, RUBBER, .375 ID X 3/4 OD (FRT)
11	7827629	1	GROMMET, RUBBER, .375 ID X 5/8 OD (REAR)
12	71387419	1	SWITCH, BEACON (PRIOR S/N HN36101)
	71401336	1	SWITCH, BEACON (EFF. S/N HN36101)
13	72160919	1	RELAY, 40 AMP (EFF. S/N HN36101)
	3619622M1	2	TIE, BLACK NYLON, .165 X 14 LG

* ORDER THRU DEALER CENTRAL

MC00364
PR: 148

HIGH INTENSITY LIGHTING
FIELD KIT



9790 COMBINE
ELECTRICAL

251

HIGH INTENSITY LIGHTING
FIELD KIT

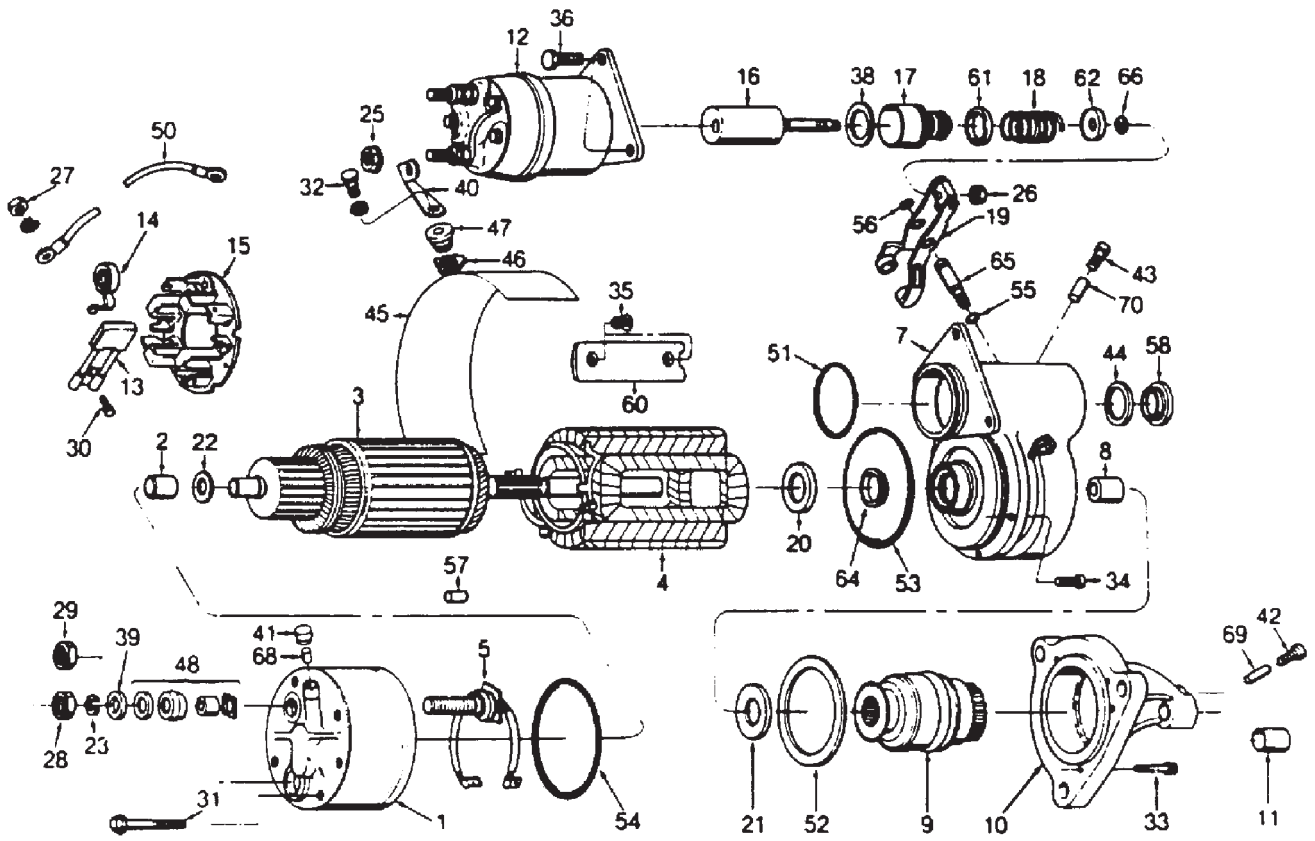
ITEM	NUMBER	QTY	DESCRIPTION
-	71402111	1	*KIT, H.I.D. LIGHTING(PRIOR S/N HP36101)
-	71406073	1	*KIT, H.I.D. LIGHTING (EFF. S/N HP36101)
1	71401342	2	LAMP ASY, HIGH INTENSITY (INCL IT.6,7,8) (SERVICE W/ 71410912)
	71410912	2	LAMP ASY,HIGH INT'Y (INCL IT.6,7,8,9,10)
	70937550	4	SCREW, PAN HD, TAPPING, #8-18 X 3/4
	700715255	4	NUT, SPEED, #8
2	700719940	2	FASTENER, ADHESIVE BACK
3	71393703	1	LIGHT, CAB (PRIOR S/N HP36101)
4	72160919	2	RELAY, 40 AMP (PRIOR S/N HP36101)
5	70925094	2	TIE, BLACK NYLON (PRIOR S/N HP36101)
6	71408385	1	BALLAST (FOR LAMP 71401342)
	71408393	1	BALLAST (FOR LAMP 71410912)
7	71408386	1	ADAPTER WIRE (FOR LAMP 71401342)
	71408394	1	ADAPTER WIRE (FOR LAMP 71410912)
8	71408387	1	LAMP & STARTER (FOR LAMP 71401342)
	71408397	1	LAMP ASY (FOR LAMP 71410912)
9	71408395	1	WIRE ASY, STARTER (NOT ILLUS.)
10	71408396	1	WIRE ASY, BULB (NOT ILLUS.)

* ORDER THRU DEALER CENTRAL

MC00366

PR: t04c24o27c0002

STARTER MOTOR



9790 COMBINE
ELECTRICAL

253

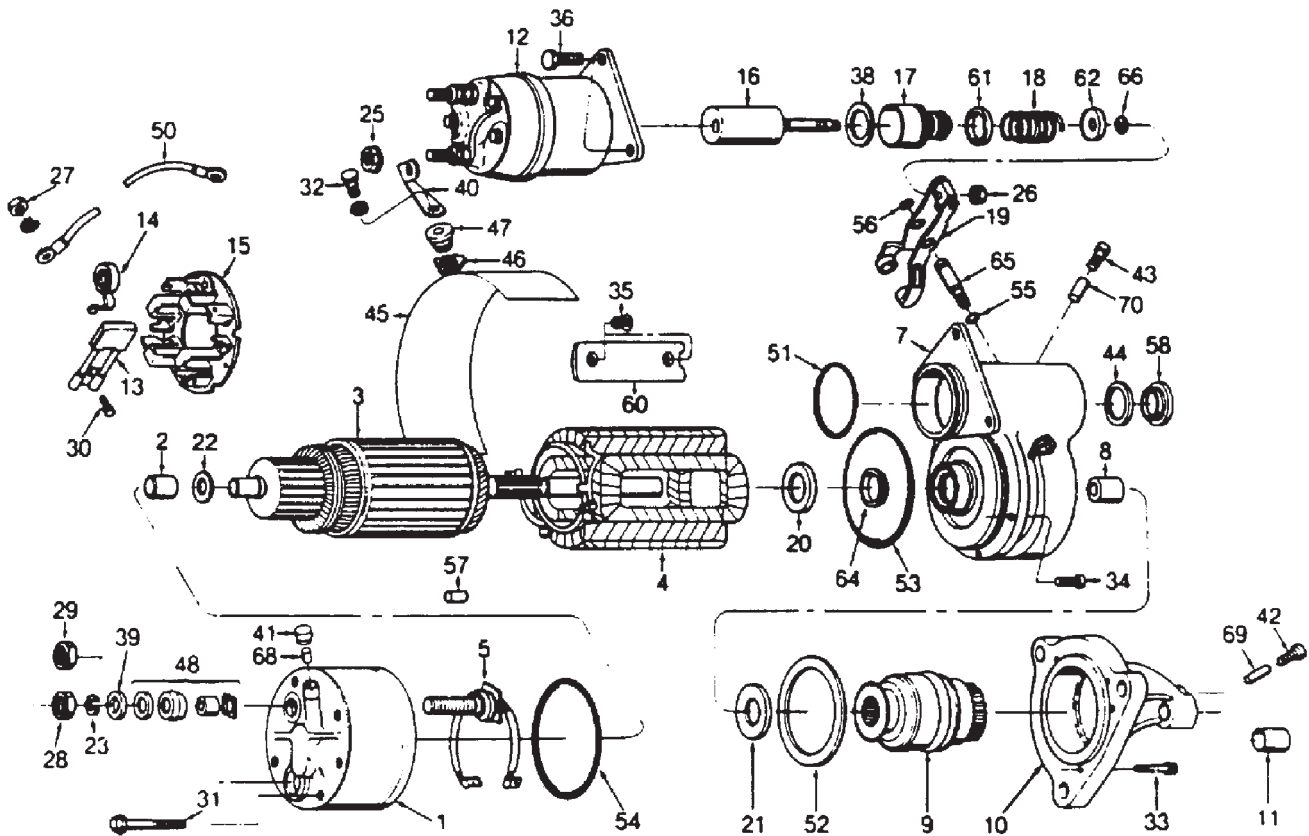
STARTER MOTOR

ITEM	NUMBER	QTY	DESCRIPTION
-	71391860	AR	STARTER ASY, 42MT, (DELCO REMY)
1	71360326	1	FRAME
2	70234847	1	BUSHING
3	71360337	1	ARMATURE
4	71360335	1	FIELD COIL
5	1070554M1	1	LEAD, TERMINAL
7	71360338	1	HOUSING, LEVER
8	71360378	1	BUSHING LEVER HOUSING
9	-----	1	DRIVE ASY
10	30-3427978	1	HOUSING, DRIVE INCL. BUSHING
11	71319846	1	BUSHING, DRIVE HOUSING
12	71360341	1	SOLENOID
13	71360350	4	BRUSH
14	1070564M1	4	SPRING, BRUSH
15	71360334	1	BRUSH PLATE ASY
16	72162820	1	PLUNGER
17	72162821	1	BOOT
18	70241344	1	SPRING, PLUNGER
19	71360381	1	LEVER, SHIFT
20	1022645M1	1	WASHER
21	K7873	1	WASHER, BRAKE
22	70276103	1	WASHER, THRUST
23	71360331	1	LOCK WASHER
25	71333276	3	NUT, FIELD COIL CONN.
26	70927029	1	NUT
27	71360342	1	NUT, SHUNT LEAD
28	71360332	1	NUT, TERMINAL
29	375098X1	1	NUT
30	363712X1	4	SCREW
31	71360349	6	SCREW & WASHER ASY.
32	72162819	4	SCREW
33	71370813	6	SCREW, DRIVE HOUSING
34	72162818	5	SCREW, LEVER HOUSING
35	72162815	8	SCREW, POLE SHOE
36	72162819	3	SCREW
38	70241345	1	WASHER
39	71360330	1	WASHER
40	71360336	1	CONNECTOR, FIELD TERMINAL
41	71360348	1	CUP
42	1055753M1	1	CUP
43	71360348	1	CUP
44	1036543M1	1	GASKET
45	72162809	1	INSULATOR, FIELD COIL
46	72162811	1	INSULATOR, FIELD TERMINAL-IN
47	72162812	1	INSULATOR, FIELD TERMINAL-OUT
48	71360328	1	INSULATOR PKG., CE TERMINAL
50	71360333	1	LEAD, CE, TERMINAL
51	1070578M1	1	O-RING
52	71360382	1	O-RING
53	70923588	1	O-RING
54	1070580M1	1	O-RING
55	167550A	1	O-RING
56	71333904	1	O-RING

CONTINUED

GC00111
PR: 142

STARTER MOTOR



9790 COMBINE
ELECTRICAL

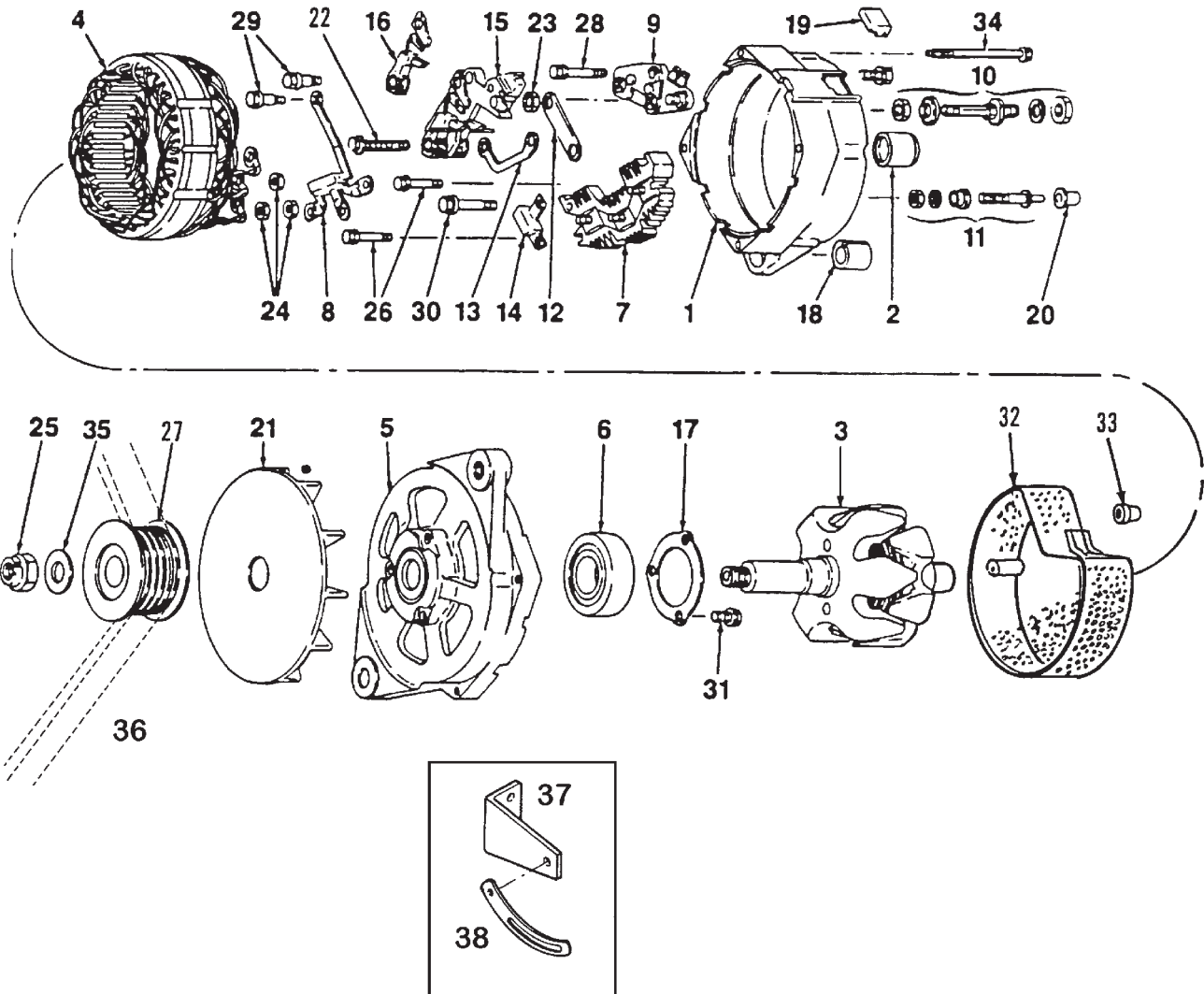
255

STARTER MOTOR

ITEM	NUMBER	QTY	DESCRIPTION
57	70915711	2	PIN, SPRING
58	70241352	1	PLUG, INSPECTION
60	1014575M1	4	POLE, SHOE
61	1042836M1	1	RETAINER, PLUNGER SPRING
62	70268364	1	RETAINER, PLUNGER
64	70241336	1	SEAL
65	1053766M1	1	SHAFT, LEVER
66	W944142	2	SNAP RING, PLUNGER
68	71360379	1	WICK
69	71333299	1	WICK
70	71360379	1	WICK
--	71360343	AR	12-V BRUSH, PKG. (INCL ITEMS 13, 14, 30, & 54)
--	71360344	AR	BUSHING PKG (INCL ITEMS 26, 31, 41-44, 51-54, 64, & 68-70)
--	71360345	AR	SHIFT LEVER PKG (INCL. ITEMS 26, 44, 51, 52, 55, 56, 65, & 67)

GC00111
PR: 142

ALTERNATOR
DELCO #1117965



**9790 COMBINE
ELECTRICAL**

257

**ALTERNATOR
DELCO #1117965**

ITEM	NUMBER	QTY	DESCRIPTION
-	71370306	1	ALTERNATOR, 130 AMP, 12 VOLT
-	81370306	1	ALTERNATOR, 130 AMP, 12 VOLT (REMAN)
1	71370852	1	FRAME
2	70262754	1	BEARING
3	71370854	1	ROTOR ASY
4	71370855	1	STATOR ASY
5	71370856	1	FRAME
6	30-3413837	1	BEARING
7	71370858	1	RECTIFIER BRIDGE ASY
8	71370859	1	DIODE
9	71370860	1	REGULATOR
10	71370861	1	TERMINAL PACKAGE, OUTPUT
11	71370862	1	TERMINAL PACKAGE, RELAY
12	71370863	1	CONNECTOR
13	71370864	1	CONNECTOR, RELAY TERMINAL
14	71370865	1	CAPACITOR
15	71370866	1	BRUSH HOLDER ASSEMBLY
16	71370867	1	BRUSH AND ARM
17	71370868	1	PLATE, RETAINER
18	30-3413918	1	BUSHING
19	71370570	1	COVER, TERMINAL
20	30-3413926	1	CAP, RELAY TERMINAL
21	71370872	1	FAN
22	71327160	1	SCREW, BRUSH HOLDER
23	70916622	1	NUT, REGULATOR 1/2-20
24	70917385	3	NUT #8-32
25	70930986	1	LOCK, HEX NUT 5/8 UNF-2B FINE THD
26	71370874	3	SCREW W/LOCKWASHER, #8-32 X 1
27	3965146	1	PULLEY 27.1 RETAINER 738431.1
28	71370874	1	SCREW, W/LOCKWASHER, #8-32 X 1
29	71173328	2	SCREW/INSULATOR, #8-32 X 1
30	71370877	1	SCREW/INSULATOR, #8-32 X 1-1/8
31	71370878	3	SCREW, TAPTITE, #8 X 1/2
32	71370808	1	COVER ASSEMBLY, DEBRIS
	71370880	1	SCREW, #8-32X 1-3/4
	71370881	1	SCREW, 1/4-20 X 2
	70921880	1	WASHER, LOCK, EXT. TOOTH
33	72506418	2	COVER, TERMINAL
	70232758	1	COVER, TERMINAL
34	71370879	1	SCREW, THRU, 10-24 X 2-1/2
35	70918268	1	WASHER, SHAFT, 5/8 SAE
36	-----	1	BELT, V-RIBBED ALTERNATOR (SEE BELT LISTING)
37	71351392	1	ANCHOR, BRACE
	70921210	2	CAPSCREW, 3/8-16 X 1
	70919312	2	LOCKWASHER, 3/8
38	3907674	1	BRACE, ALTERNATOR (ORDER THRU CUMMINS)
	70921210	1	CAPSCREW, 3/8-16 X 1
	70919312	1	LOCKWASHER, 3/8
	70916950	1	NUT, 5/8-16

71369889
PR: 144

**ILLUSTRATION NOT
AVAILABLE**

XXXXXXXXXX

9790 COMBINE
ELECTRICAL

259

SERVICE CONNECTORS
HARNESS REPAIR

ITEM	NUMBER	QTY	DESCRIPTION
-			LISTED PARTS USED FOR REPAIR OF WIRE HARNESSES
1	71390804	AR	CONNECTOR, 26 WAY, DEUTSCH, DRC26-50S-05
2	71390806	AR	REMOVAL TOOL, DEUTSCH, 0411-240-2005
3	71390809	AR	PROBE, EXTRTN TOOL, SZ 16, 0411-310-1605
4	71390810	AR	CONNECTOR, 36 WAY, DEUTSCH, HD36-24-23SN
5	71390813	AR	CONNECTOR, 3 WAY, DEUTSCH, DT06-3S-P012
6	71390815	AR	WEDGE CONNECTOR, DEUTSCH, W3S-P012
7	71390816	AR	CONNECTOR, 12 WAY, DEUTSCH, DT06-12SA-P012
8	71390817	AR	WEDGE CONNECTOR, DEUTSCH, W12S-P012
9	71390820	AR	PLUG CONNECTOR, 15 WAY, AMP, 1-640523-0
10	71390821	AR	RECEPTACLE CONN, 12 WAY, AMP, 1-640512-0
11	71390822	AR	PLUG CONNECTOR, 12 WAY, AMP, 1-640522-0
12	71390823	AR	RECEPTACLE CONN, 9 WAY, AMP, 1-640511-0
13	71390824	AR	PLUG CONNECTOR, 9 WAY, AMP, 1-640521-0
14	71390825	AR	RECEPTACLE CONN, 6 WAY, AMP, 1-640510-0
15	71391001	AR	PLUG CONNECTOR, 6 WAY, AMP, 1-640520-0
16	71391002	AR	PIN TERMINAL, 10 PCS. AMP, 645545-1
17	71391003	AR	RECEPTACLE TERML, 10 PCS, AMP, 641300-1
18	71397676	AR	RECEPT CONN, 9 WAY, DEUTSCH, HD14-9-96P
19	71397677	AR	PLUG CONNECTOR, 9, DEUTSCH, HD16-9-96S
20	71397678	AR	CONNECTOR, 3 WAY, DEUTSCH, DT04-3P-E004
21	71397679	AR	WEDGE LOCK, 3 TERM'L, DEUTSCH, W3P
22	71397680	AR	CONNECTOR, 7 PIN FEM, COLE HERSEE, 12301
23	71397681	AR	RECEPT CONN, 8 PIN, DEUTSCH, DTM04-08PB
24	71397682	AR	PLUG CONNECTOR, DEUTSCH, HDP26-18-14-SE
25	71397683	AR	PLUG CONNECTOR, 40, DEUTSCH, DRC18-40SB
26	71397684	AR	SUPERSEAL CONNECTOR, AMP, 282087-1
27	71397685	AR	TERMINAL, AMP, 183025-1
28	71397686	AR	SEAL-WIRE, AMP, 281934-2
29	71397687	AR	CONNECTOR, 7 PIN, COLE HERSEE, 12300
30	71397688	AR	CONNECTOR, 6 PIN, PACKARD, 12124107
31	71397689	AR	CONNECTOR, 12 PIN, CARLINGSWITCH, LC1-02
32	71397690	AR	CONNECTOR, 3 PIN, PACKARD, 12162280
33	71397691	AR	CONNECTOR, 5 PIN, PACKARD, 12110539
34	71397692	AR	TERM. METRI-PK, 10 PCS, PACKARD, 12129409
35	71397693	AR	SEAL, METRI-PK, 10 PCS, PACKARD, 12015359
36	71397695	AR	SEAL, METRI-PK, 10 PCS, PACKARD, 1201539
37	71397697	AR	SEC LOCK, PACKARD, 12110540
38	71397698	AR	CONNECTOR, 3 PIN, PACKARD, 12162182
39	71397701	AR	SEAL, 3 WAY, PACKARD, 12065285
40	71397702	AR	TERMINAL, 10 PCS, DEUTSCH, 1062-16-0144
41	71397703	AR	RESISTOR, 3 WAY, DEUTSCH, DT04-3P-P006

CONTINUED

XXXXXXX
PR: t05b08m42d0004

**ILLUSTRATION NOT
AVAILABLE**

XXXXXXXXXX

**9790 COMBINE
ELECTRICAL**

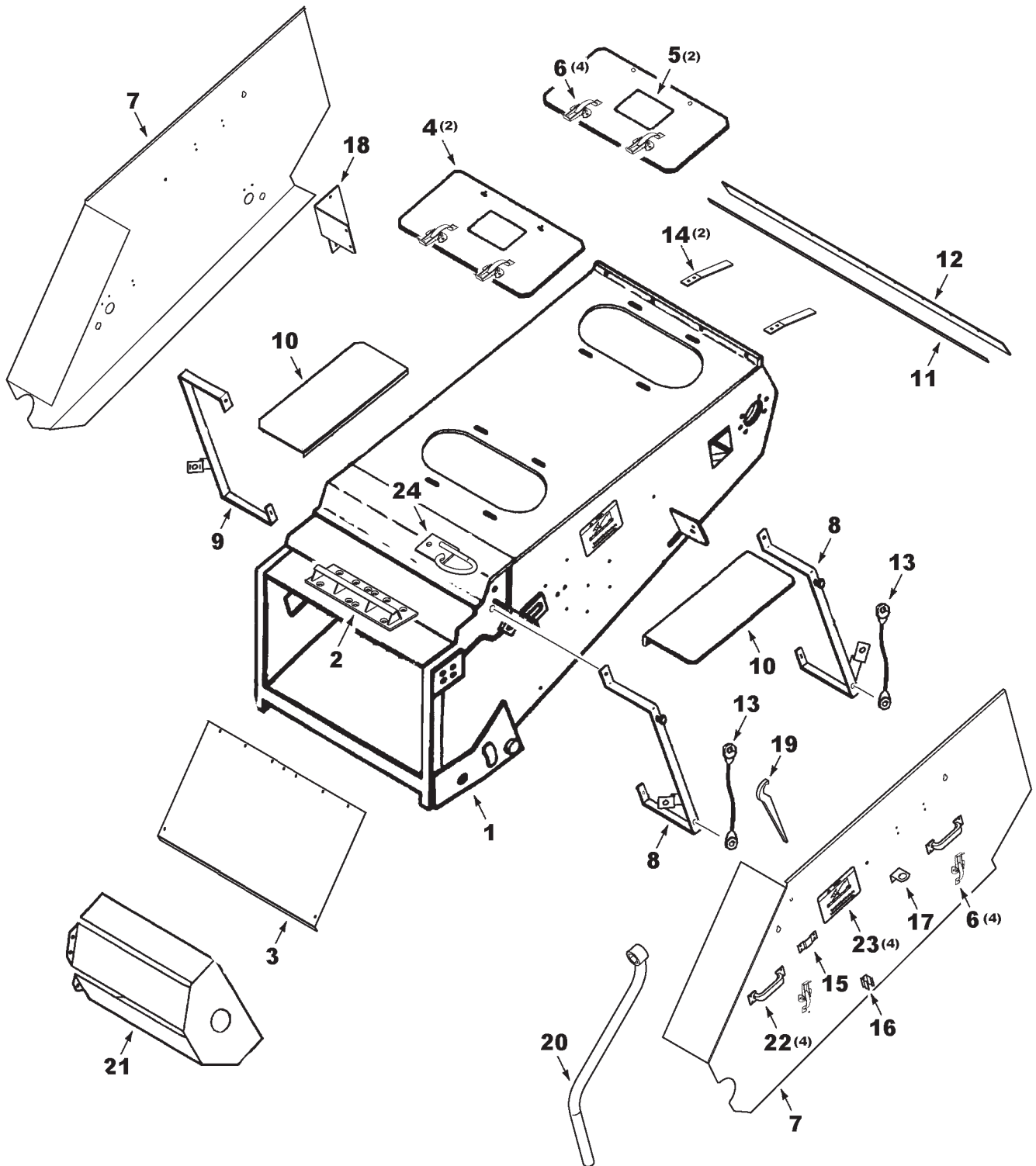
261

**SERVICE CONNECTORS
HARNESS REPAIR**

ITEM	NUMBER	QTY	DESCRIPTION
-			LISTED PARTS USED FOR REPAIR OF WIRE HARNESSES
42	71397704	AR	CONNECTOR, 16 PIN, PACKARD, 15326667
43	71397705	AR	TERMINAL, 10 PCS, PACKARD, 15304731
44	71397706	AR	SEAL, 14 GA, PACKARD, 12191222
45	71397707	AR	SEAL, 12 GA, PACKARD, 12191223
46	71397708	AR	PLUG, PACKARD, 15305170
47	71397709	AR	CONNECTOR, 16 PIN, PACKARD, 15326666
48	71397710	AR	TERMINAL-SOCK, 10 PCS, PACKARD, 15304719
49	71397711	AR	CONN, 8 PIN, METRI PAC,PACKARD, 12047931
50	71397712	AR	SEC-LOCK, PACKARD, 12047936
51	71397713	AR	CONNECTOR, METRI PAC, PACKARD, 12129615
52	71397714	AR	CONN.RECEPTCL, 5 PIN, PACKARD, 12034342
53	71397715	AR	CONNECTOR, METRI PAC, PACKARD, 12124819
54	71397716	AR	SEC-LOCK, METRI PACK, PACKARD, 12020807
55	71397717	AR	TERM. METRI-PK,10 PCS, PACKARD, 12077411
56	71397718	AR	SEAL, 10 PCS, PACKARD, 12041351
57	71397719	AR	CONN, 8 PIN, METRI PAC,PACKARD, 12047937
58	71397720	AR	SEC-LOCK, METRI PACK, PACKARD, 12066304
59	71397721	AR	BOOT, COLE HERSEE, 81356
60	71397722	AR	TERMINAL-SOCKET, COLE HERSEE, 31784
61	71397724	AR	SEC-LOCK, METRI PACK, PACKARD, 12052850
62	71397725	AR	ELECT. OUTLET, 12 VOLT, CASCO, 212711
63	71397731	AR	CONNECTOR, FUSE, PACKARD, 12033769
64	71397732	AR	PLUG CONN'R, 70 PIN, DEUTSCH, DRC16-70SA
65	71397733	AR	CONN. RECEPTCL, 4 PIN, DEUTSCH, DT04-4P
66	71397734	AR	SEAL, METRI-PK,10 PCS, PACKARD, 12052924
67	71397735	AR	PLUG CONN'R, 40 PIN, DEUTSCH, DRC18-40SA
68	71397736	AR	PLUG CONN'R, 4 PIN, DEUTSCH, DTM06-4SA
69	71397737	AR	CONN. RECEPTCL, 2 PIN, PACKARD, 08911772
70	71397738	AR	TERM. METRI-PK,10 PCS, PACKARD, 15304730
71	71397739	AR	SEAL-DELPHI, PACKARD, 15366067
72	71397740	AR	CONN, 2 PIN, METRI-PAC,PACKARD, 12162000
73	71397741	AR	TERMINAL-SOCK, 10 PCS, PACKARD, 08911640
74	71397742	AR	HARNESS, 4 PIN, MOLDED, 12" LG
75	71397743	AR	CONNECTOR, 5 PIN, PACKARD, 12065158
76	71398851	AR	SEAL-DELPHI, PACKARD, 12015284
77	71398852	AR	TERMINAL-SOCK, 10 PCS, PACKARD, 12084590
78	71398853	AR	TERM. METRI-PK,10 PCS, PACKARD, 12015870
79	700709919	AR	TERMINAL-PIN, 18-14 AWG, AMP, 66602-2
80	700718792	AR	CONNECTOR, 6 PIN, PACKARD, 12052848
81	71399228	AR	CONTACT PIN, DEUTSCH, 0460-204-12141
82	700721776	AR	CONTACT SOCKET, DEUTSCH, 0462-203-12141

XXXXXXX
PR: t05b08m42d0004

HOUSING & SHIELDS
(PRIOR S/N HP36101)



**9790 COMBINE
FEEDER**

263

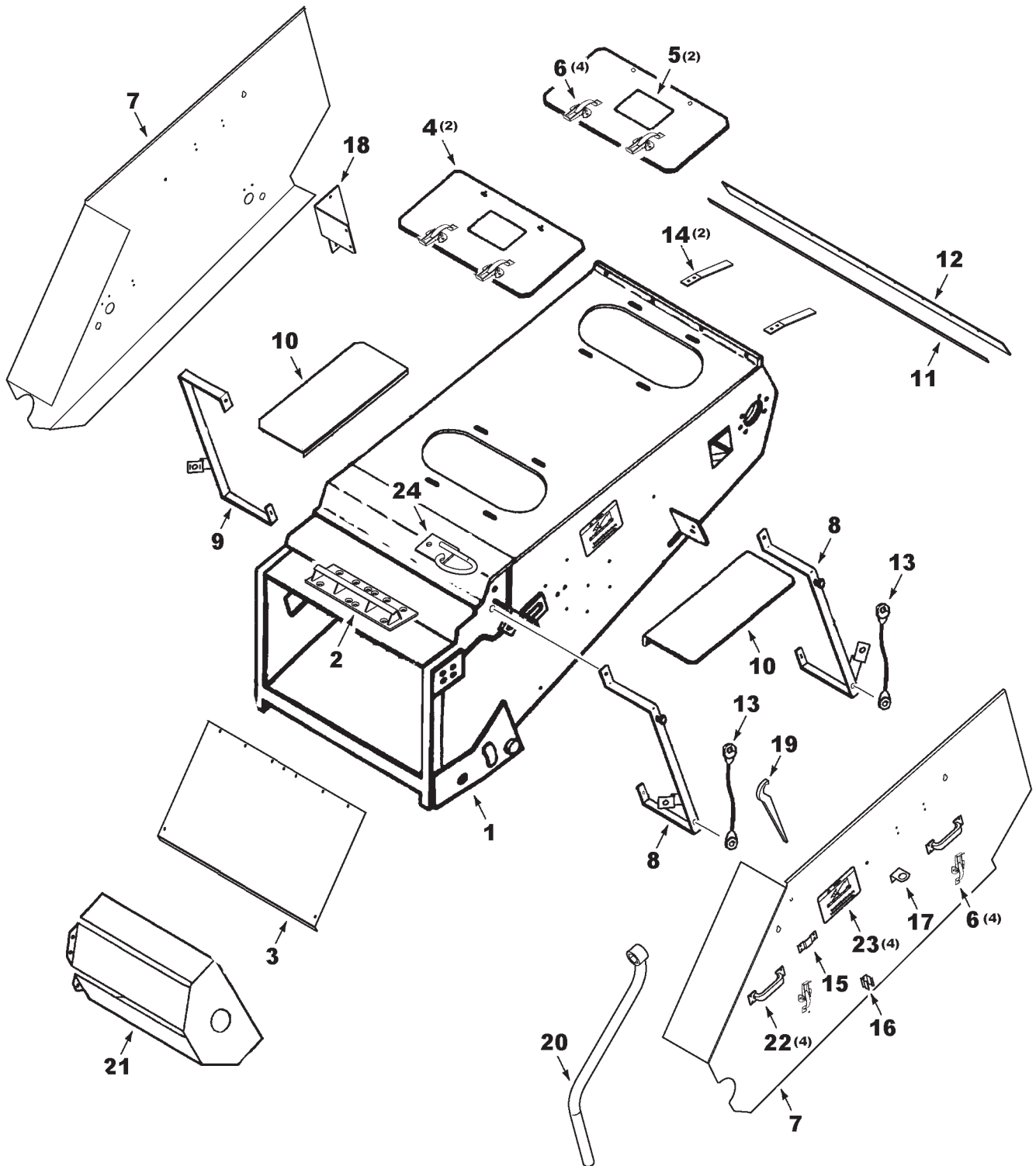
**HOUSING & SHIELDS
(PRIOR S/N HP36101)**

ITEM	NUMBER	QTY	DESCRIPTION
1	71400971	1	HOUSING WLDMT, FEEDER
2	71380423	2	HOOKUP WLDMT, HEADER
	355736X1	14	CAPSCREW, HEX SOCKT, 1/2-13 X 1-1/4
	71383783	4	SHIM, HEADER LEVELING
	71402105	-	KIT, HDR HOOKUP GRP(HIGH MOUNT, NON-LTM) (ORDER FROM DEALER CENTRAL)(INCLUDES
	71399829	1	RISER WLDMT, LH (NOT ILLUS.)
	71399830	1	RISER WLDMT, RH (NOT ILLUS.)
	71383783	4	SHIM, HEADER LEVELING
	70919089	14	CAPSCREW, 1/2-13 X 1-3/4 GR5
	Y705046	14	LOCKWASHER, 1/2 REG
3	71388237	1	COVER, FLOOR
	365775X1	2	SCREW, THD FORM., 1/4-20 X 1/2
	70931317	7	BOLT, RD HD,SHT SQ NK, 1/4-20 X 3/4
	70931209	7	NUT, SERR. FLANGE, 1/4-20
4	71383785B	4	DOOR ASY (INCL. CLAMPS & DECAL)
5	71379134	4	DECAL, WARNING
6	762975	8	CLAMP
	700717635	16	RIVET, 3/16 X 13/32
7	71393786	1	SHIELD ASY, LH (INCL IT'S 6,22,23,15-17)
	71393784	1	SHIELD ASY, RH (INCL IT'S 6,22,23)
8	71393776	1	BRACKET WLDMT, FRONT, LH
	70921333	1	CAPSCREW, 5/16-18 X 1.0
	70917356	1	LOCKWASHER, 5/16
	70917372	1	NUT, 5/16-18 REG
	70921965	1	CAPSCREW, 3/8-16 X 3/4 GR5
	705038	1	LOCKWASHER, 3/8 REG
	71393780	1	BRACKET WLDMT, REAR, LH
	703249	2	CAPSCREW, 3/8-16 X 1"
	705038	2	LOCKWASHER, 3/8
	70916950	2	NUT, 3/8-16 REG
	70918266	1	WASHER, 3/8 NARR.
9	71393778	1	BRACKET ASY., FRONT, RH
	70921333	1	CAPSCREW, 5/16-18 X 1.0
	70917356	1	LOCKWASHER, 5/16
	70917372	1	NUT, 5/16-18 REG
	70921965	1	CAPSCREW, 3/8-16 X 3/4 GR5
	705038	1	LOCKWASHER, 3/8 REG
10	71397452B	1	SHIELD, TOP, LH
	70936778	2	J-CLIP, 3/4 X .406 HOLE
	70923683	3	SCREW,HEX HD, TAPPING, 3/8-16 X 3/4
	71393788	1	SHIELD, TOP, RH
	70923683	3	SCREW,HEX HD, TAPPING, 3/8-16 X 3/4
11	71388226	1	RETAINER, PIVOT SEAL
12	71387900	1	SEAL, UPPER PIVOT
	70923341	11	CAPSCREW, 1/4-20 X 3/4 GR5
	70919310	11	LOCKWASHER, 1/4
	70916622	11	NUT, 1/4-20 REG

CONTINUED

MC00347
PR: 146

HOUSING & SHIELDS
(PRIOR S/N HP36101)



**9790 COMBINE
FEEDER**

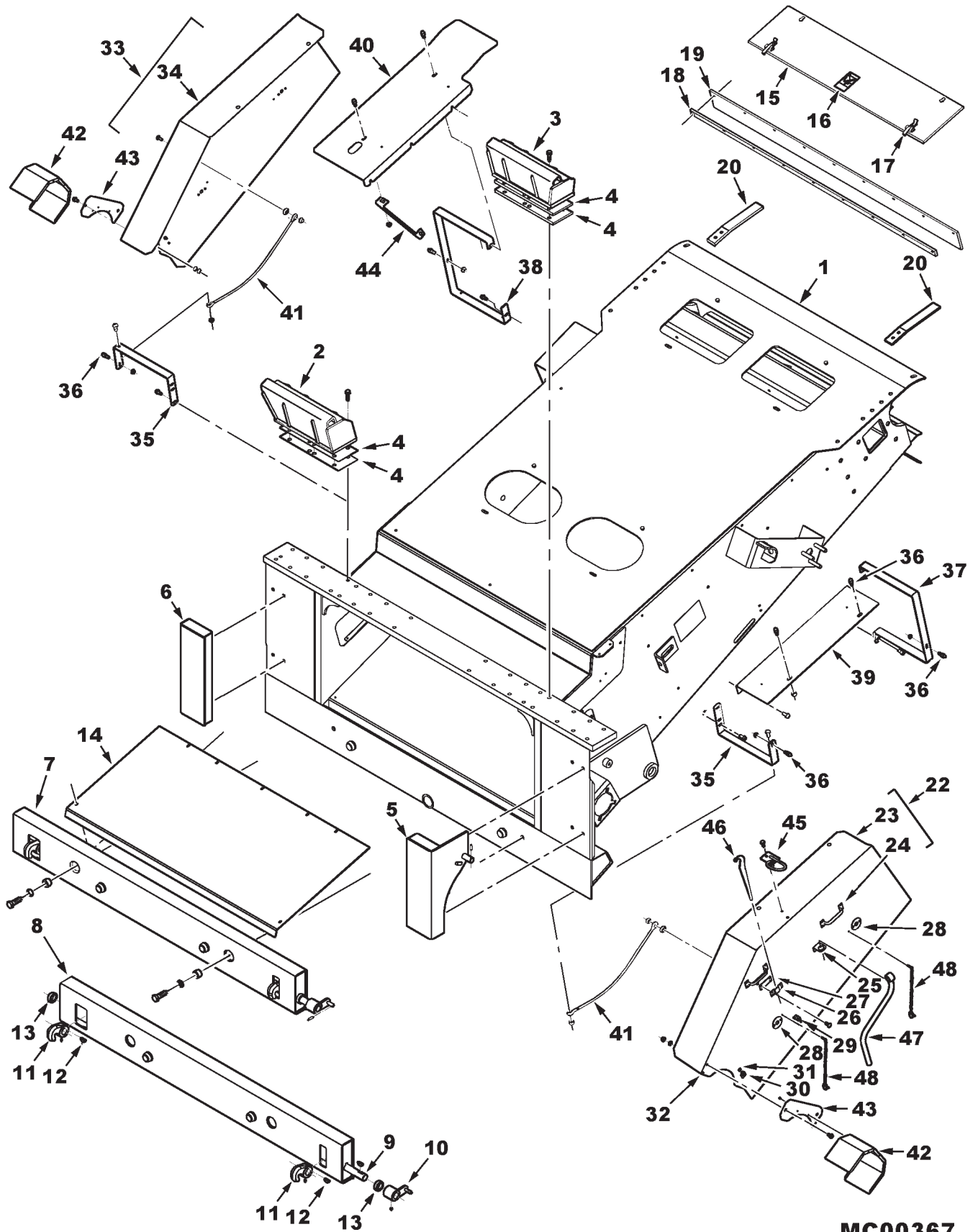
265

**HOUSING & SHIELDS
(PRIOR S/N HP36101)**

ITEM	NUMBER	QTY	DESCRIPTION
13	71374425	2	CABLE, SHIELD RETAINER
	70917356	4	WASHER, LOCK, 5/16
	70917372	4	NUT, HEX, 5/16-18
	70918265	4	WASHER, 5/16 NARR
	70927075	4	BOLT, RHSN, 5/16-18 X 1.0
14	116328W1	2	SUPPORT, PIVOT SLIDE
	70927075	4	BOLT, CARRIAGE, 5/16-18 UNC X 1
	70917356	4	LOCKWASHER 5/16
	70917372	4	NUT, HEX 5/16-18
15	71385633	1	BRACKET, WRENCH
	71394821	1	SPACER, BRKT.
	70924837	4	RIVET, .188 X .277 LG
16	71310976	1	CLIP, WRENCH
	70922928	2	SCREW, #6-32 X 1/2
	70917458	2	WASHER, FLAT #6
	70917459	2	LOCKWASHER #6
	704551	2	NUT, #6-32
17	71352828	1	BRACKET, WRENCH
	70925205	1	BOLT, HEX 5/16-18 X 5/8
	70917356	1	LOCKWASHER, 5/16
	70917372	1	NUT, HEX, 5/16-18
18	71393782	1	BRACKET ASY, REAR, RH
	70921333	2	CAPSCREW, 5/16-18 X 1
	70917356	2	WASHER, LOCK, 5/16
	70917372	2	NUT, 5/16-18
19	28280440	1	WRENCH, C'SHAFT
20	71388248	1	HANDLE WLMT., FEEDER LATCH
21	116518W1	1	SHIELD, COUNTERSHAFT, LH
	116519W1	1	SHIELD, COUNTERSHAFT, RH
	70924856	6	SCREW, HEX HD, TAPPING, 5/16-18 X 1/2
22	71304149	4	HANDLE
	70924837	16	POP RIVET, .188 X .063-.125 GRIP
23	111095W1	4	DECAL, DANGER
24	71375388	1	RETAINER WLDMT, HOSES
	7703432	2	SCREW, HEX FLNG SERR, 3/8-16 X 3/4
	Y704734	2	NUT, HEX FLNG TOP LK, 3/8-16

MC00347
PR: 146

HOUSING & SHIELDS
(EFF. S/N HP36101)



MC00367

**9790 COMBINE
FEEDER**

267

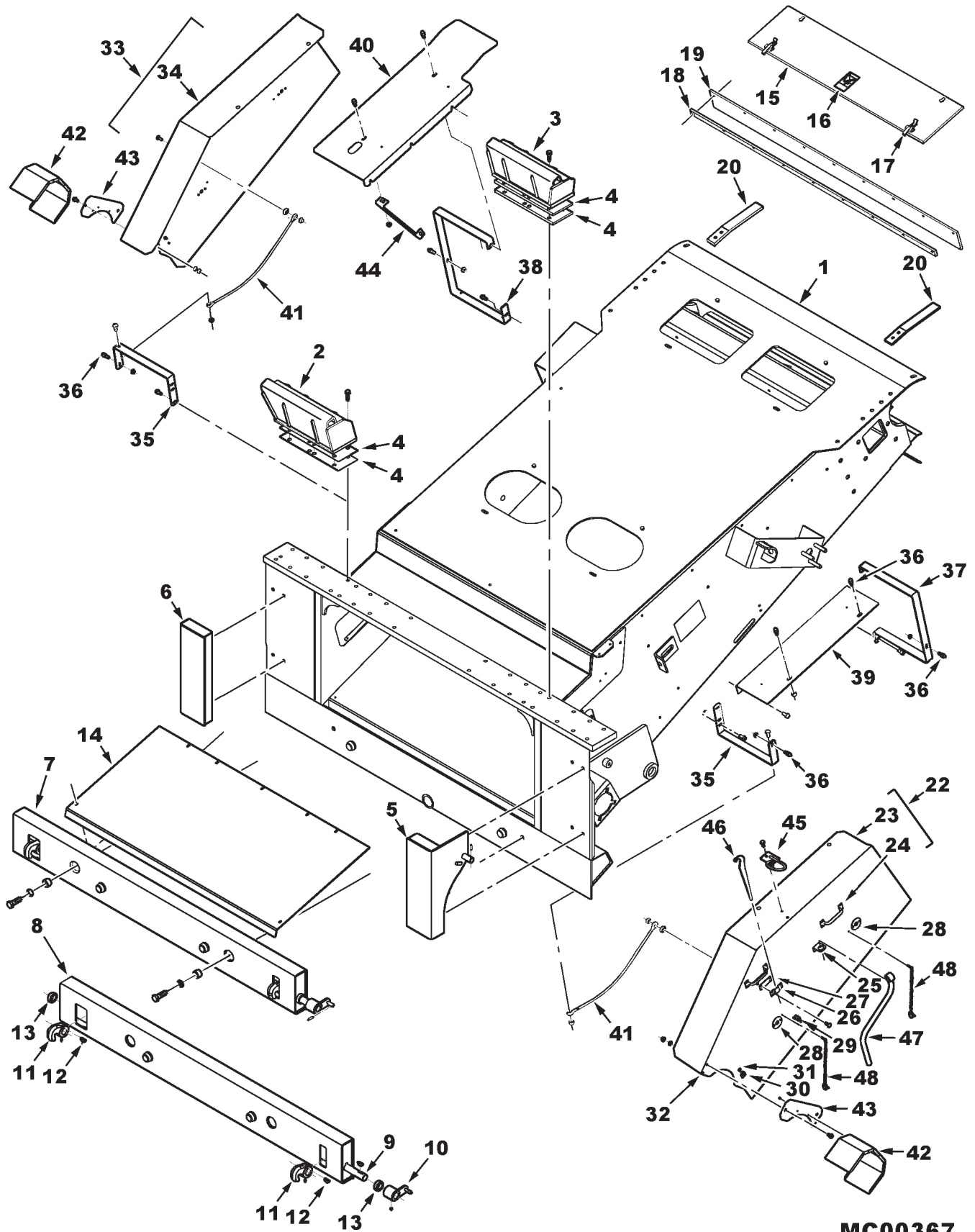
**HOUSING & SHIELDS
(EFF. S/N HP36101)**

ITEM	NUMBER	QTY	DESCRIPTION
1	71403669	1	HOUSING WLMT, FEEDER (PRIOR S/N HS36101)
	71409952	1	HOUSING WLMT, FEEDER (EFF. S/N HS36101)
2	71406510	1	HOOKUP WLMT, RH, HEADER
	-----	-	HOOKUP WLMT, HEADER, SHORT (SEE "KIT" AT END OF LIST)
	70919089	7	CAPSCREW, 1/2-13 X 1-3/4
	Y705046	7	LOCKWASHER, 1/2
3	71406504	7	HOOKUP WLMT, LH, HEADER
	70919089	7	CAPSCREW, 1/2-13 X 1-3/4
	Y705046	7	LOCKWASHER, 1/2
4	71383783	4	SHIM, HEADER LEVELING
5	71406518	1	FRAME WLMT, LH, VERTICAL
	70923114	2	CAPSCREW, 1/2-13 X 1 GR5
	Y705046	2	LOCKWASHER, 1/2 REG
6	71406514	1	FRAME WLMT, RH, VERTICAL
	70923114	2	CAPSCREW, 1/2-13 X 1 GR5
	Y705046	2	LOCKWASHER, 1/2
7	71406804	1	FRAME ASY, HDR HOOKUP, LOWER (INCL. ITEMS 8 THRU 13)
	70922664	2	CAPSCREW, 5/8-11 X 2 GR5
	70917373	2	LOCKWASHER, 5/8
	368615X1	2	SPACER, .656 X 1.125 OD X .66 LG
8	71406520	1	FRAME WLMT, HDR HOOKUP, LOWER
9	71406802	1	SHAFT, HEADER LATCH
10	116343W1	1	CRANK WLMT, LATCH, LOWER
	70921263	1	SETSCREW, HEX SOCKET, 5/16-18 X 3/8
11	71317841	2	HOOK
	70903835	2	SETSCREW, HEX SOCKET, 1/4-20 X 3/8
12	70905126	3	KEY, WOODRUFF, .25 X 1 DIA, #808
13	375028X1	2	COLLAR, BRG, 1 DIA, W/SETSCREW
14	71388237	1	COVER, FLOOR
	365775X1	2	SCREW, THD FORM., 1/4-20 X 1/2
	70931317	7	BOLT, RD HD, SHT SQ NK, 1/4-20 X 3/4
	353769X1	7	WASHER, 1/4, HARD
	705012	7	LOCKWASHER, 1/4
	70916622	7	NUT, 1/4-20 REG
15	71383785B	4	DOOR ASY (INCL. CLAMPS & DECAL) (PRIOR S/N HS36101)
	71409955	4	DOOR ASY (INCL. CLAMPS & DECAL) (EFF. S/N HS36101)
16	71379134	4	DECAL, WARNING
17	762975	8	CLAMP
	700717635	16	POP-RIVET, .188 DIA X .126-.250 GRIP
18	71388226	1	RETAINER, PIVOT SEAL
19	71387900	1	SEAL, UPPER PIVOT
	3009183X1	11	BOLT, HEX FLANGE, M6-1.0 X 20 CL10.9
	339375X1	11	LOCKWASHER, M6
	339030X1	11	NUT, M6 X 1.0, REG
20	116328W1	2	SUPPORT, PIVOT SLIDE
	385370X1	4	BOLT, RD HD SQ NK, M8-1.25 X 25 CL8.8
	339374X1	4	LOCKWASHER, M8
	339169X1	4	NUT, M8 X 1.25, REG

CONTINUED

MC00367
PR: t05b08m42d0005

HOUSING & SHIELDS
(EFF. S/N HP36101)



**9790 COMBINE
FEEDER**

269

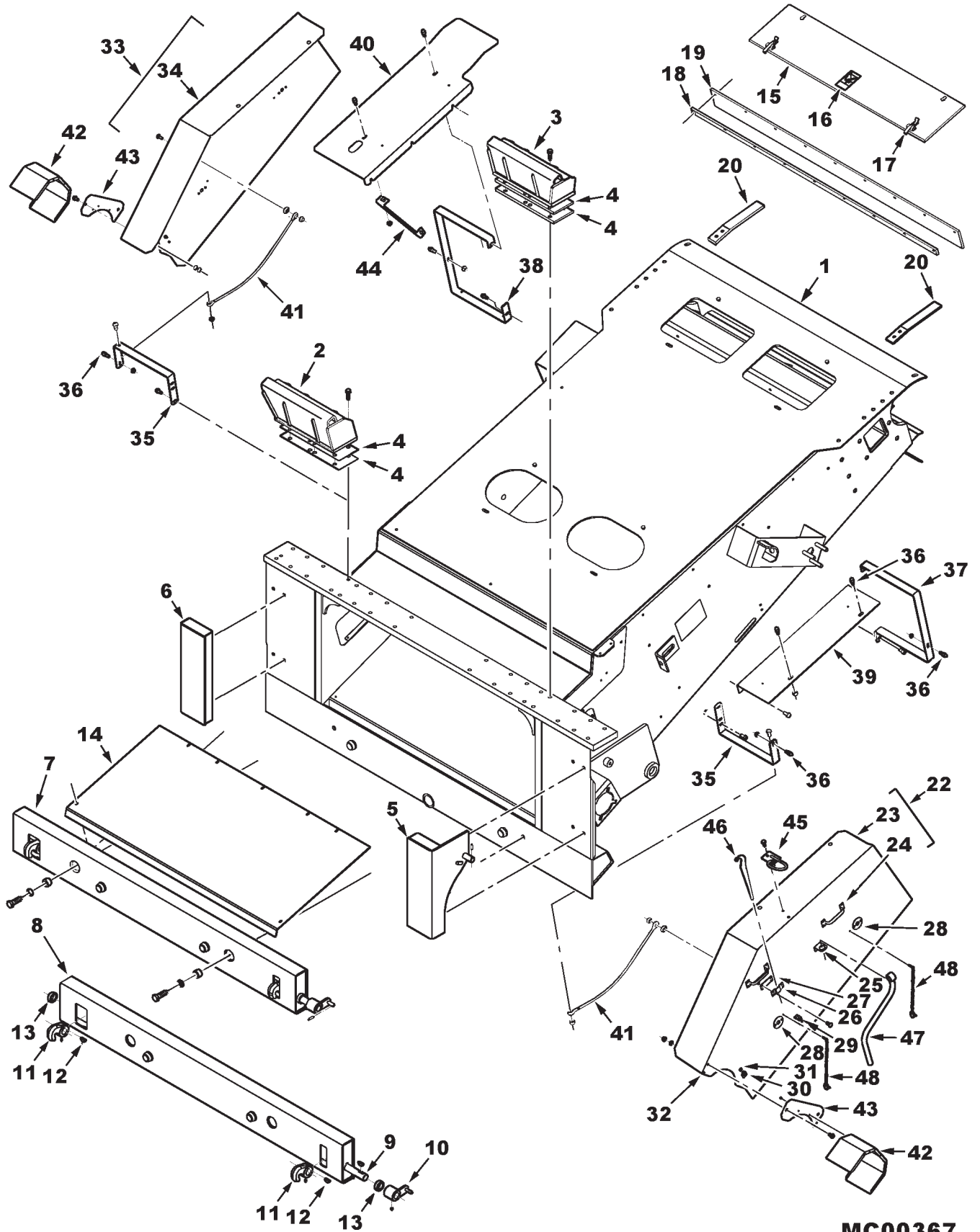
**HOUSING & SHIELDS
(EFF. S/N HP36101)**

ITEM	NUMBER	QTY	DESCRIPTION
22	71401636	1	SHIELD ASY,LEFT (INCL. ITEMS 23 THRU 32) (PRIOR S/N HS36101)
	-----	1	SHIELD ASY,LEFT (INCL. ITEMS 23 THRU 32) (PAINT IS ONLY DIFF.)(EFF. HS36101)
23	71401637	1	SHIELD, LEFT
24	71304149	2	HANDLE
	70924837	8	POP RIVET, .188 X .063-.125 GRIP
25	71352828	1	BRACKET, HANDLE MOUNT
	70925205	1	CAPSCREW, 5/16-18 X 5/8
	70917356	1	LOCKWASHER, 5/16
	70917372	1	NUT, 5/16-18 REG
26	71385633	1	BRACKET, WRENCH
27	71394821	1	SPACER, BRKT.
	70924837	4	POP RIVET, .188 X .063-.125 GRIP
28	71400739	2	PLATE, PIN
	70924837	4	POP RIVET, .188 X .063-.125 GRIP
29	71310976	1	CLIP, WRENCH
	70922928	2	SCREW, #6-32 X 1/2
	70917458	2	WASHER, FLAT #6
	70917459	2	LOCKWASHER #6
	704551	2	NUT, #6-32
30	70537291	1	FASTENER, SNAP
	70924837	1	POP RIVET, .188 X .063-.125 GRIP
31	70937660	1	SCREW, PAN HD TAPPING, 1/4-20 X 5/8
	1703354	1	NUT, HEX FLNG TOP LOCK, 1/4-20
32	7883267	1	SCREW, HEX WSHR HD, MACH, 1/4-20 X 1/2
	1703354	1	NUT, HEX FLNG TOP LOCK, 1/4-20
33	71401628	1	SHIELD ASY, FEEDER, RIGHT (INCL. ITEMS 24,28,30,31,32,34)(PRIOR S/N HS36101
	-----	1	SHIELD ASY, FEEDER, RIGHT (INCL. ITEMS 24,28,30,31,32,34)(EFF. S/N HS36101 (PAINT IS ONLY DIFF.)
34	71401627	1	SHIELD, RIGHT
35	71407660	2	SUPPORT, SHIELD, FRONT
	7702012	2	SCR, HEX WSHR HD TAPPING, 3/8-16 X 1
36	1656110W2	8	PIN, SHIELD LOCK
	Y704734	8	NUT, HEX FLNG TOP LOCK, 3/8-16
37	71401633	1	SUPPORT, SHIELD, LEFT
	7702012	1	SCR, HEX WSHR HD TAPPING, 3/8-16 X 1
38	71401632	1	SUPPORT, SHIELD, RIGHT
	7702012	1	SCR, HEX WSHR HD TAPPING, 3/8-16 X 1
39	71401638	1	SHIELD, TOP, LEFT
	70936778	2	J-CLIP, 3/4 X .406 HOLE (NOT ILLUS.)
	7702012	3	SCR, HEX WSHR HD TAPPING, 3/8-16 X 1
40	71401626	1	SHIELD, TOP, RIGHT
	70936778	2	J-CLIP, 3/4 X .406 HOLE (NOT ILLUS.)
41	71374425	2	CABLE, TETHER
	70931350	2	BOLT, RND HD SQ NK, 3/8-16 X 1
	705541	2	WASHER, 1/2 HARD
	Y704734	4	NUT, HEX FLNG TOP LOCK, 3/8-16
	7883382	2	SCREW, HEX WSHR HD MACH, 3/8-16 X 1

CONTINUED

MC00367
PR: t05b08m42d0005

HOUSING & SHIELDS
(EFF. S/N HP36101)



**9790 COMBINE
FEEDER**

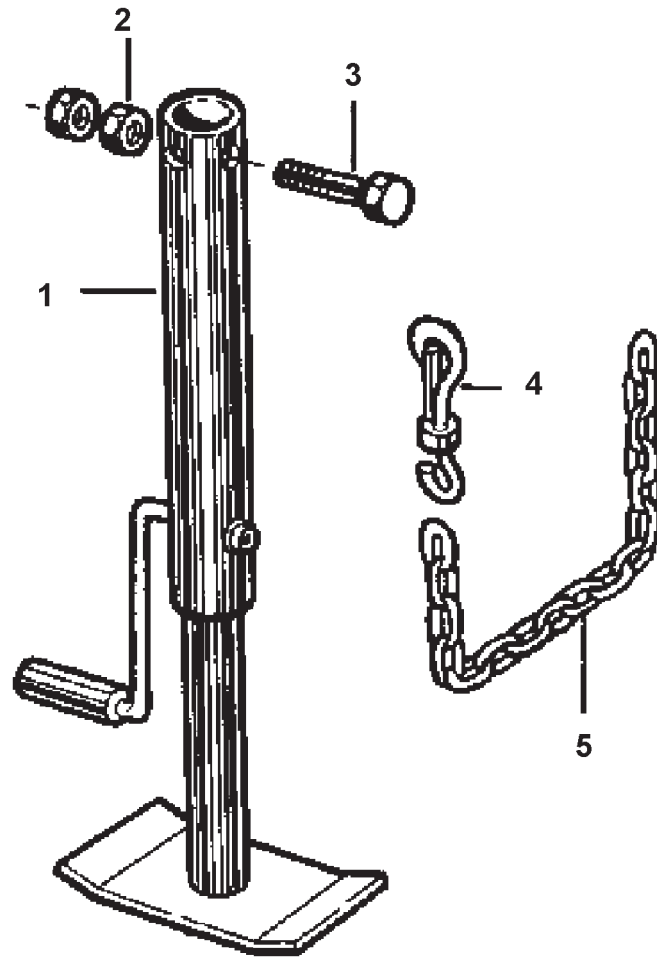
271

**HOUSING & SHIELDS
(EFF. S/N HP36101)**

ITEM	NUMBER	QTY	DESCRIPTION
42	71409461	2	SHIELD, DRIVELINE
43	71401660B	2	PLATE, COVER
	7883374	2	SCR, HEX WSHR HD MACH, 3/8-16 X 3/4
	Y705533	2	WASHER, 3/8 HARD
	Y704734	2	NUT, HEX FLNG TOP LOCK, 3/8-16
	70924837	6	POP RIVET, .188 X .063-.125 GRIP
44	71401658B	1	SUPPORT, TOP SHIELD, RH
	7702012	3	SCR, HEX WSHR HD TAPPING, 3/8-16 X 1
45	71375388	1	RETAINER WLMT, HOSE
	7883382	2	SCREW, HEX WSHR HD MACH, 3/8-16 X 1
	Y704734	2	NUT, HEX FLNG TOP LOCK, 3/8-16
46	28280440	1	WRENCH, C'SHAFT
47	71388248	1	HANDLE WLMT, FEEDER LATCH
48	863415	4	KLIK PIN, W/CHAIN
-	71411647	-	KIT, HEADER HOOKUP LUGS, HIGH, NON-LTM INCL IT'S 2 THRU 13, & LATCH COMP'S. (ORDER THRU DEALER CENTRAL)
-	71411650	-	KIT, HEADER HOOKUP LUGS, LOW, NON-LTM (ORDER THRU DEALER CENTRAL)
	71406512	2	HOOKUP LUG WLDMT, SHORT
	71383783	4	SHIM, HEADER LEVELING
	70924204	14	SCR, HEX SOCK CSK HD, 1/2-13 X 1-1/4

MC00367
PR: t05b08m42d0005

JACK



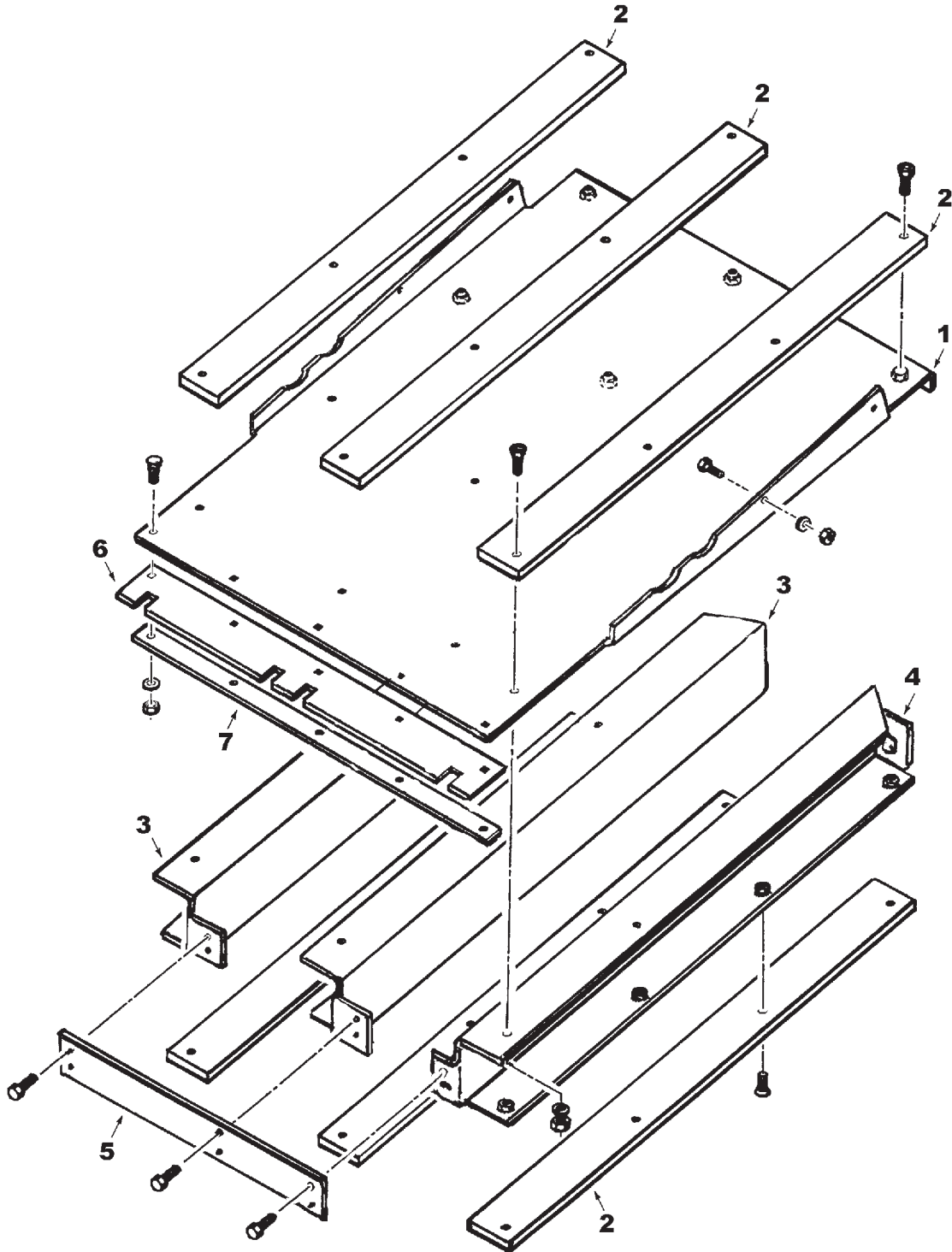
9790 COMBINE
FEEDER

273
JACK

ITEM	NUMBER	QTY	DESCRIPTION
1	1609121W91	1	JACK ASY, FEEDER STAND (ACCESSORY)
2	70913160	2	NUT, 3/4-10 UNC
3	70923126	1	CAPSCREW, 3/4-10 X 5 GR5
4	1611180W1	1	SNAP HOOK, CHAIN
5	1609200W1	1	CHAIN (18 LINKS)
	70921969	1	CAPSCREW, 3/8-16 X 1-1/2
	70917378	2	WASHER, 3/8, WIDE
	70916950	2	NUT, 3/8-16 REG
-	71378016	AR	KIT, FEEDER ELEVATOR JACK (ORDER FROM DEALER CENTRAL)

MCO0209
PR: 150

FEED FLOOR
(PRIOR S/N HS36101)



9790 COMBINE
FEEDER

275

FEED FLOOR
(PRIOR S/N HS36101)

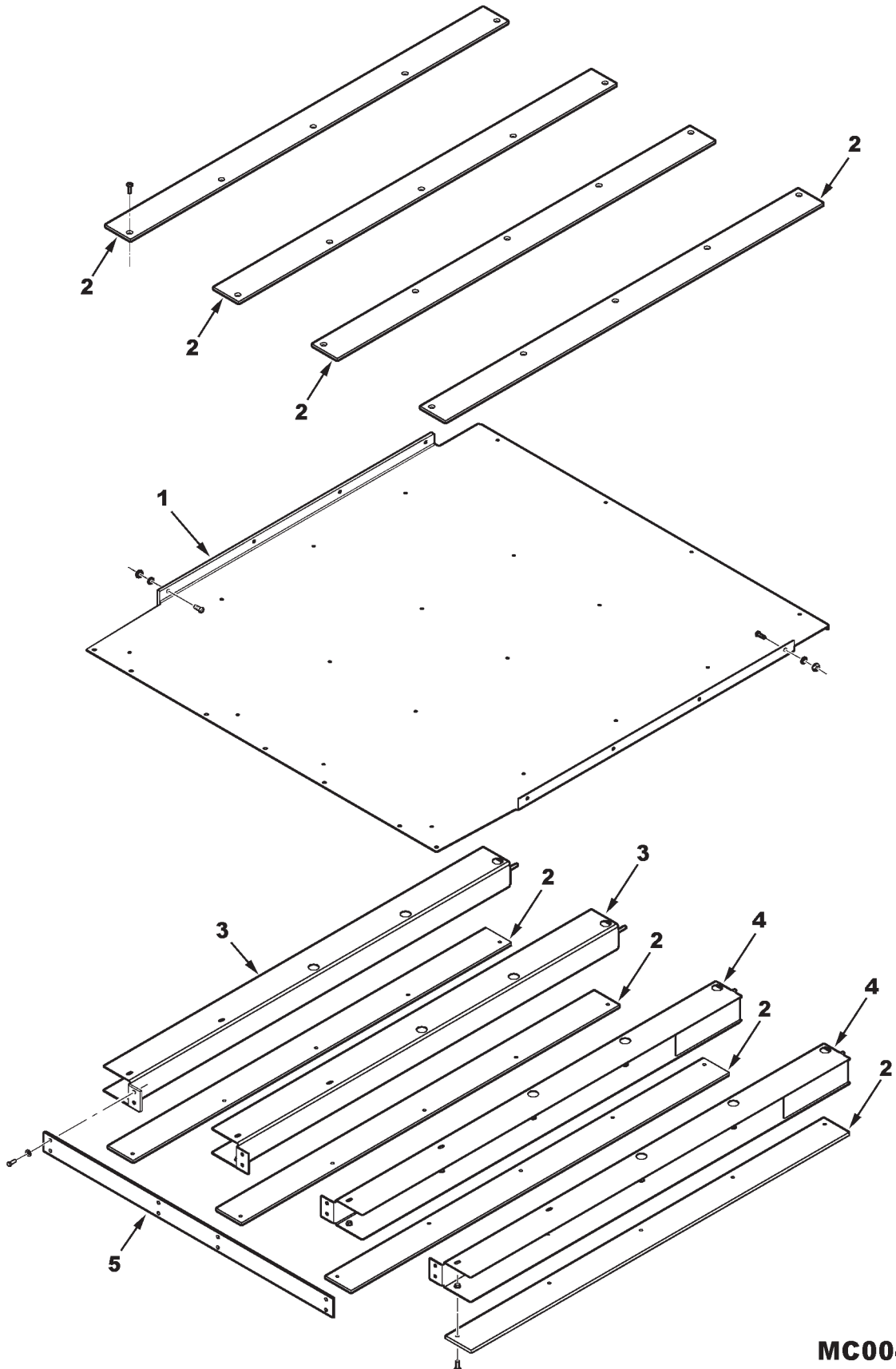
ITEM	NUMBER	QTY	DESCRIPTION
1	71388230	1	FLOOR WLMT. FEEDER
	70920415	1	CAPSCREW, 3/8-16 X 1-1/4
	70921965	7	CAPSCREW, 3/8-16 X 3/4
	70916965	8	WASHER, LOCK, 3/8
	70916950	8	NUT, 3/8-16
2	116354W1	6	STRIP, WEAR
	70935275	30	SCREW,HX SOCK CNTRSK HD, 5/16-18 X 1
	70927557	6	LOCKNUT, LG SERR FLG, 5/16-18
3	116362W1	2	SUPPORT WLMT, RAIL RH
4	116363W1	1	SUPPORT WLMT, RAIL LH
5	71388232	1	SUPPORT, FRONT
	70921333	6	CAPSCREW, 5/16-18 X 1
	70917356	6	LOCKWASHER, 5/16
6	71388233	1	SEAL, DRUM
	7700461	7	BOLT, RD HD SQ NK, 5/16-18 X 3/4
	70917356	7	LOCKWASHER, 5/16
	70917372	7	NUT, HEX, 5/16-18
7	71388234	1	RETAINER, SEAL

71375170
PR: 152

276

9790 COMBINE
FEEDER

FLOOR, MIDDLE
(EFF. S/N HS36101)



MC00439

9790 COMBINE
FEEDER

277

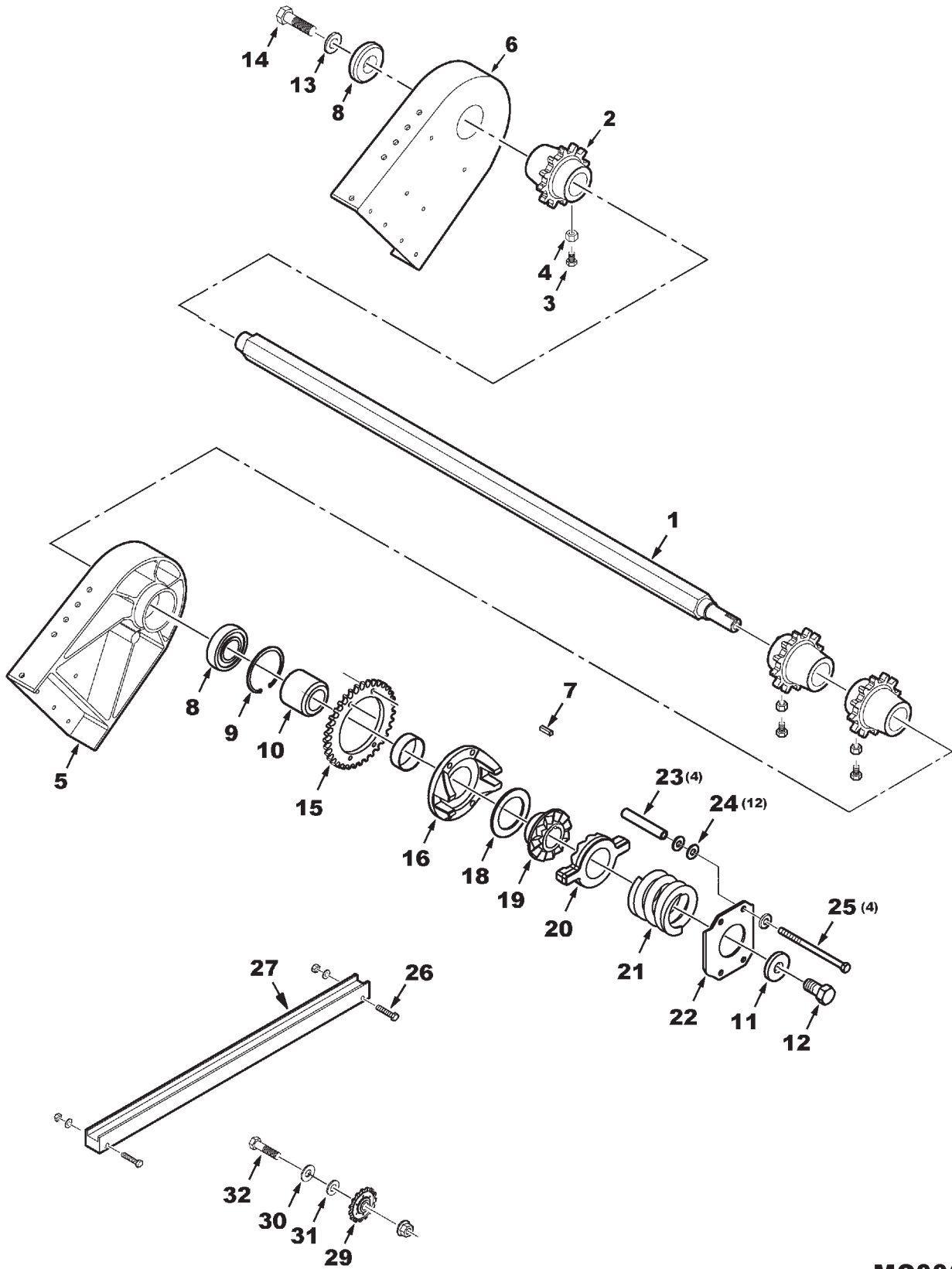
FLOOR, MIDDLE
(EFF. S/N HS36101)

ITEM	NUMBER	QTY	DESCRIPTION
1	71409618	1	FLOOR SHEET WLMT
	339081X1	7	CAPSCREW, M10-1.5 X 20 CL8.8
	3001429X1	1	CAPSCREW, M10-1.5 X 35 CL8.8
	339376X1	8	LOCKWASHER, M10
	339402X1	8	NUT, M10 X 1.5, REG
2	116354W1	8	STRIP, WEAR
	70935275	40	SCREW,HX SOCK CNTRSK HD, 5/16-18 X 1
	70931277	8	NUT, HEX SERR FLANGE, 5/16-18
3	71409623	2	SUPPORT RAIL WLMT, RH
4	71409615	2	SUPPORT RAIL WLMT, LH
5	71411427	1	SUPPORT BAR, FRONT
	70921333	8	CAPSCREW, 5/16-18 X 1
	70917356	8	LOCKWASHER, 5/16

MC00439

PR: t07a23o20b0005

PIVOT SHAFT
(PRIOR S/N HP36101)



**9790 COMBINE
FEEDER**

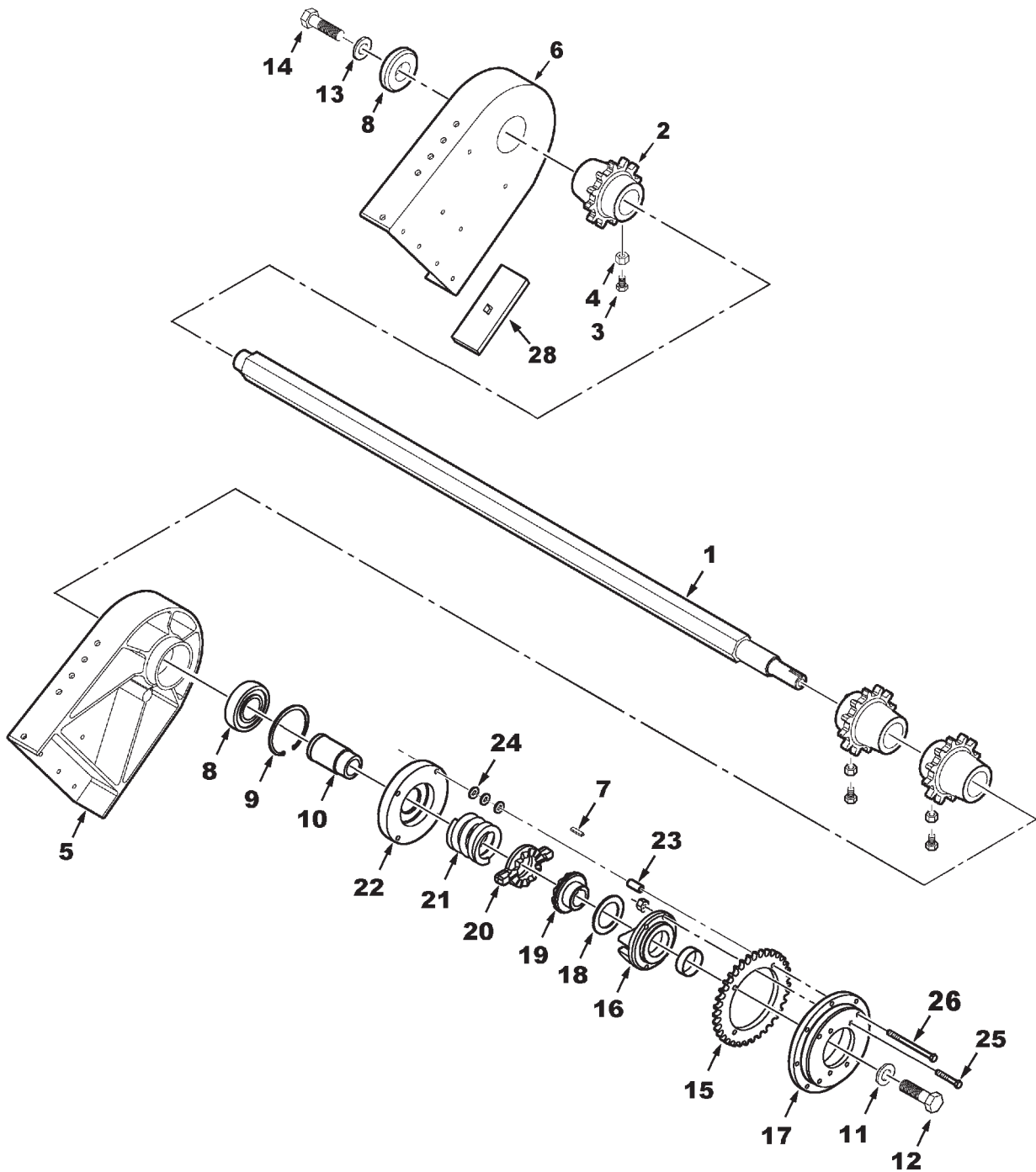
279

**PIVOT SHAFT
(PRIOR S/N HP36101)**

ITEM	NUMBER	QTY	DESCRIPTION
1	71387891	1	SHAFT, TOP FEEDER
2	116108W1	3	SPROCKET, PIVOT SHAFT
3	70911255	6	SETSCREW, HEX SOCKET, 1/2-13 X 3/4
4	70913744	6	NUT, HEX JAM, 1/2-13 UNC
5	116106W1	1	CASTING, PIVOT, LH
6	116107W1	1	CASTING, PIVOT, RH
	70926838	2	BOLT, RD HD,SQ NK, 1/2-13 X 1-1/2
	70920328	28	CAPSCREW, 1/2-13 X 1-1/2, GR5
	Y705046	30	LOCKWASHER 1/2 REG
	704031	12	NUT, 1/2-13 REG
7	61770	1	KEY, SQ, 3/8 X 3/8 X 1 1/2
8	71154722	2	BEARING, 1-31/32 X 4-11/32 X 1-1/16
9	355997X1	1	RING, RETAINING, INTERNAL
10	101785M1	1	SPACER
11	103834W1	1	WASHER, FLAT, SPL, .781 X 2.0 X .312
12	367451X1	1	BOLT, HEX LOCK, 3/4-10 X 1-1/2
13	2403610W1	1	WASHER, 29/32 X 2-1/2 X 3/8
14	70928397	1	CAPSCREW, 7/8-9 UNC X 1-1/2 GR8
15	101783M1	1	SPROCKET, 35 TEETH
16	1777403W91	1	DRIVE HSG & BUSHING ASY
	1717650W1	1	BUSHING, DRIVE HSG
18	1717640W1	1	THRUST WASHER
19	2563800W1	1	JAW, FIXED, CLUTCH
20	1659630W1	1	JAW, MOVABLE, CLUTCH
21	1659650W1	1	SPRING, CLUTCH
22	1659660W1	1	RETAINER, SPRING
23	2573180W1	4	SPACER, 31/64 X 5/8 X 3-21/32
24	70917378	12	WASHER, FLAT, 3/8 WIDE
25	70922771	4	CAPSCREW, HEX, 3/8-16 X 6" GR5
	Y704734	4	NUT, HEX FLNG TOP LOCK, 3/8-16
26	702928	2	CAPSCREW, 3/8-16 X 2-3/4 GR5
	70917378	2	WASHER, 3/8 WIDE
	Y704734	2	NUT, HEX FLNG TOP LOCK, 3/8-16
27	71384836	1	GUIDE, FEEDER CHAIN, UPPER
29	71378873	1	SPROCKET, IDLER, 15 TEETH
30	368933X1	2	WASHER, FLAT, .656 SQ. X 1.5 X .190 TH
31	70918268	2	WASHER, 5/8 NARROW
32	70926694	1	BOLT, RD HD,SQ NK, 5/8-11 X 2-1/2 GR5
	700703922	1	NUT, HEX FLNG TOP LOCK, 5/8-11
-	79021676	AR	PRIMER T
-	70930235	AR	LOCTITE 609
-	71389221	-	KIT, PERFORMANCE PKG
	71386668	1	STRIPPER, LH, PIVOT SHAFT SPROCKET
	71386669	1	STRIPPER, RH, PIVOT SHAFT SPROCKET

MCO0346
PR: 154

PIVOT SHAFT
(EFF. S/N HP36101)



**9790 COMBINE
FEEDER**

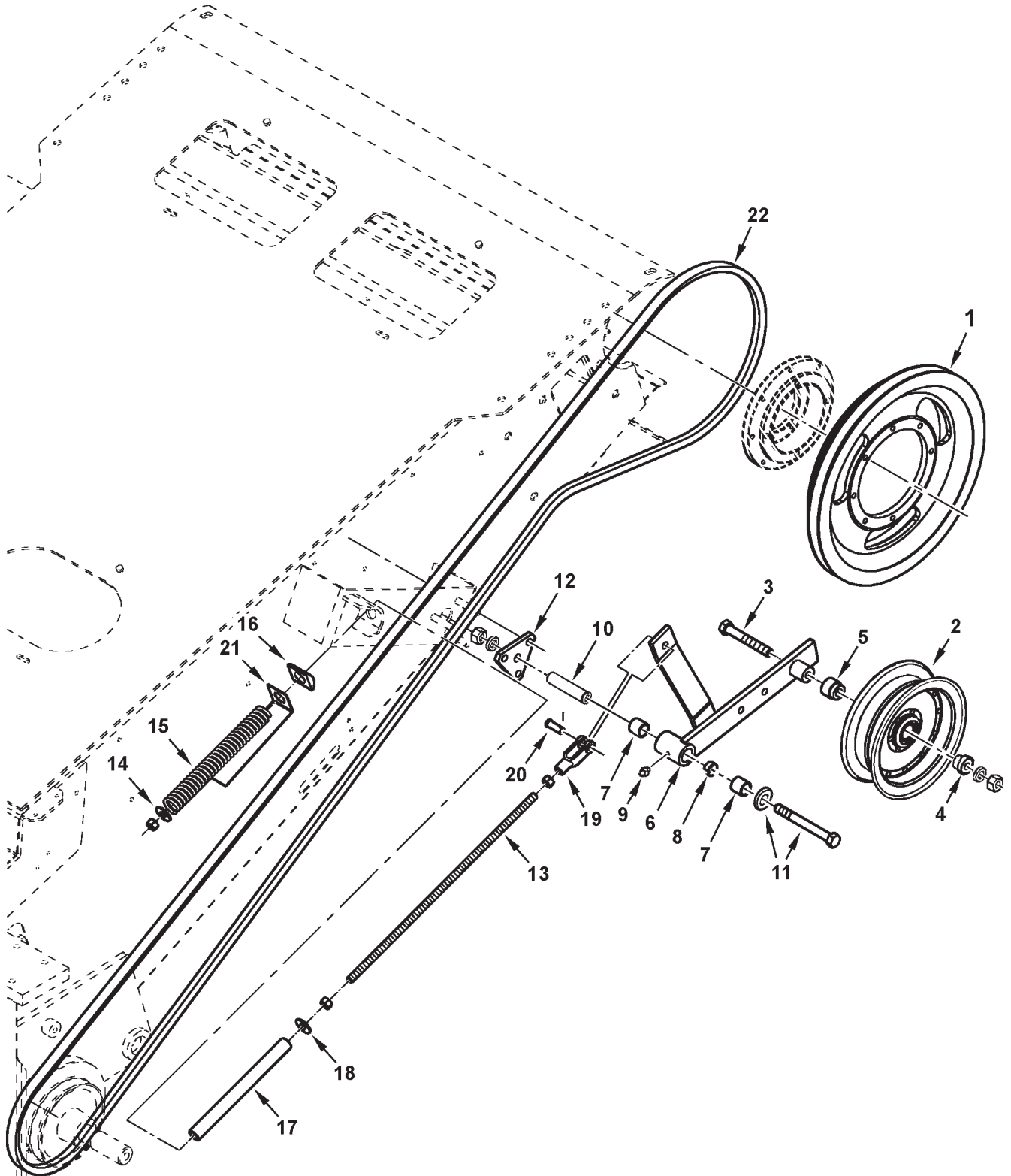
281

**PIVOT SHAFT
(EFF. S/N HP36101)**

ITEM	NUMBER	QTY	DESCRIPTION
1	71399509	1	SHAFT, TOP FEEDER
2	116108W1	4	SPROCKET, PIVOT SHFT(QTY 3 PRIOR HS36101
3	70911255	8	SETSCREW, HEX SOCKET, 1/2-13 X 3/4
4	70913744	8	NUT, HEX JAM, 1/2-13 UNC
5	116106W1	1	CASTING, PIVOT, LH
6	116107W1	1	CASTING, PIVOT, RH
	70926838	2	BOLT, RD HD,SQ NK, 1/2-13 X 1-1/2
	70920328	28	CAPSCREW, 1/2-13 X 1-1/2, GR5
	Y705046	30	LOCKWASHER 1/2 REG
	704031	12	NUT, 1/2-13 REG
7	61770	1	KEY, SQ, 3/8 X 3/8 X 1 1/2
8	71154722	2	BEARING, 1-31/32 X 4-11/32 X 1-1/16
9	355997X1	1	RING, RETAINING, INTERNAL
10	71399508	1	PILOT SLEEVE, SPRING
11	103834W1	1	WASHER, FLAT, SPL, .781 X 2.0 X .312
12	367451X1	1	BOLT, HEX LOCK, 3/4-10 X 1-1/2
13	2403610W1	1	WASHER, 29/32 X 2-1/2 X 3/8
14	70928397	1	CAPSCREW, 7/8-9 UNC X 1-1/2 GR8
15	71399511	1	SPROCKET, 35 TEETH
16	1777403W91	1	DRIVE HSG & BUSHING ASY.
	1717650W1	1	BUSHING, DRIVE HSG
17	71403678	1	HUB, FEEDER DRIVE CLUTCH
18	1717640W1	1	THRUST WASHER
19	2563800W1	1	JAW, FIXED, CLUTCH
20	1659630W1	1	JAW, MOVING, CLUTCH
21	1659650W1	1	SPRING, CLUTCH
22	71403677	1	RETAINER, SPRING
23	71403676	4	SPACER, SLIP CLUTCH
24	70917378	12	WASHER, 3/8 WIDE
25	70921969	4	CAPSCREW, 3/8-16 X 1-1/2 GR5
	Y704734	4	NUT, HEX FLNG TOP LOCK, 3/8-16
26	13601	4	CAPSCREW, 3/8-16 X 5-1/4 GR5
	Y705046	4	LOCKWASHER 1/2 REG
28	71404300	1	PLATE, GUIDE, STONE TRAP HANDLE
	70926838	1	BOLT, RD HD,SQ NK, 1/2-13 X 1-1/2
	Y705046	1	LOCKWASHER 1/2 REG
	704031	1	NUT, 1/2-13 REG

MC00368
PR: t05b08m42d0006

LH PIVOT DRIVE
(EFF. S/N HP36101)



**9790 COMBINE
FEEDER**

283

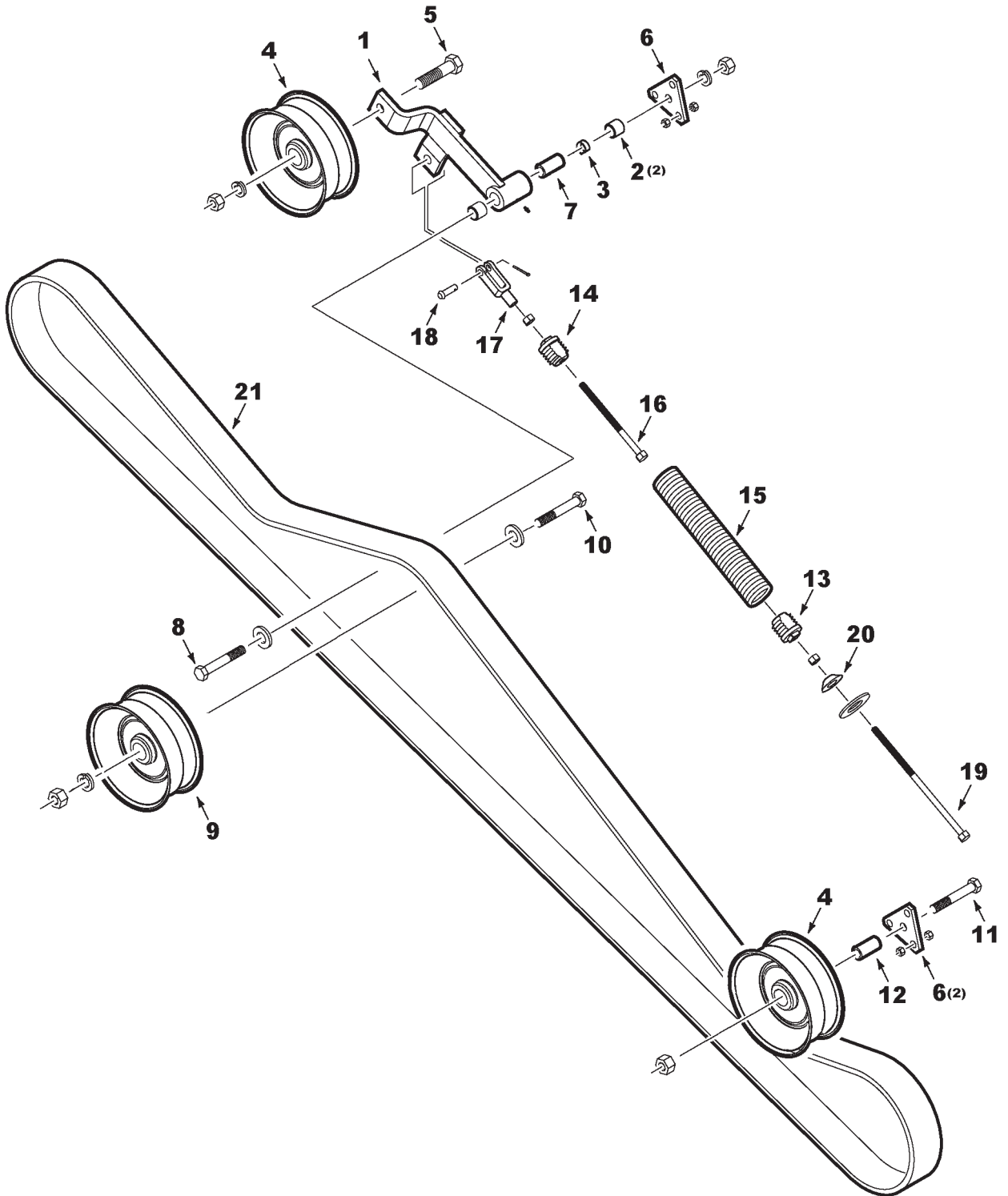
**LH PIVOT DRIVE
(EFF. S/N HP36101)**

ITEM	NUMBER	QTY	DESCRIPTION
1	71403679	1	SHEAVE, DRIVEN, PIVOT SHAFT
	70920415	8	CAPSCREW, 3/8-16 X 1-1/4, GR5
	705038	8	LOCKWASHER, 3/8 REG
2	71309768	1	IDLER PULLEY
3	70925704	1	CPSCR, 5/8-11 X 4-1/2 GR5(PRIOR HS36101)
	70917373	1	LOCKWASHER, 5/8
	70932665	1	NUT, 5/8-11 REG
	3009247X1	1	SCREW, HEX FLANGE, M16-2.0 X 120 CL10.9
	5000006X1	1	NUT, HEX FLANGE NYL LOCK, M16 X 2.0
4	71312602	1	SPACER, IDLER
5	71353127	1	SPACER, IDLER
6	71398389	1	IDLER ARM ASY (INCL. IT'S 7, 8, 9) (PRIOR S/N HS36101)
	71411886	1	IDLER ARM ASY (INCL. IT'S 7 & 8) (EFF. S/N HS36101)
7	71356060	2	BUSHING, IDLER PIVOT
8	71197117	1	SPACER
9	13811X	1	LUBE FTG, STR, 1/4-28 TPR(PRIOR HS36101)
10	71356061	1	SLEEVE, HARD, IDLER PIVOT
11	70925703	1	CAPSCREW, 5/8-11 X 4 GR5 (PRIOR HS36101)
	70918432	1	WASHER, 5/8, WIDE
	70917373	1	LOCKWASHER, 5/8
	70932665	1	NUT, 5/8-11 REG
	3009245X1	1	SCREW, HEX FLANGE, M16-2.0 X 100 CL10.9
	70918432	1	WASHER, 5/8, WIDE
	5000006X1	1	NUT, HEX FLANGE NYL LOCK, M16 X 2.0
12	71182840	1	PLATE, MOUNTING
	70913744	6	NUT, HEX JAM, 1/2-13
13	71356938	1	ROD, 1/2-13UNC X 21 LG.
	704031	3	NUT, 1/2-13 REG
14	70923094	1	WASHER, .53 X 2.0 X .18 TH.
15	71356067	1	SPRING, IDLER
16	71356058	1	BLOCK, PIVOT
17	71368761	1	SPACER TUBE, SPRING
18	70918431	1	WASHER, 1/2, WIDE
19	70937465	1	YOKE, 1/2-13 THD.
20	70929593	1	PIN, 1/2 X 1.36 LG.
	70918452	1	COTTER PIN, 1/8 X 1
21	71368570	1	STRAP, INDICATOR, IDLER SPRING
22	71398388	1	BELT

MC00369
PR: t05b08m42d0007

9790 COMBINE
FEEDER

RH DRIVE
(PRIOR S/N HP36101)



**9790 COMBINE
FEEDER**

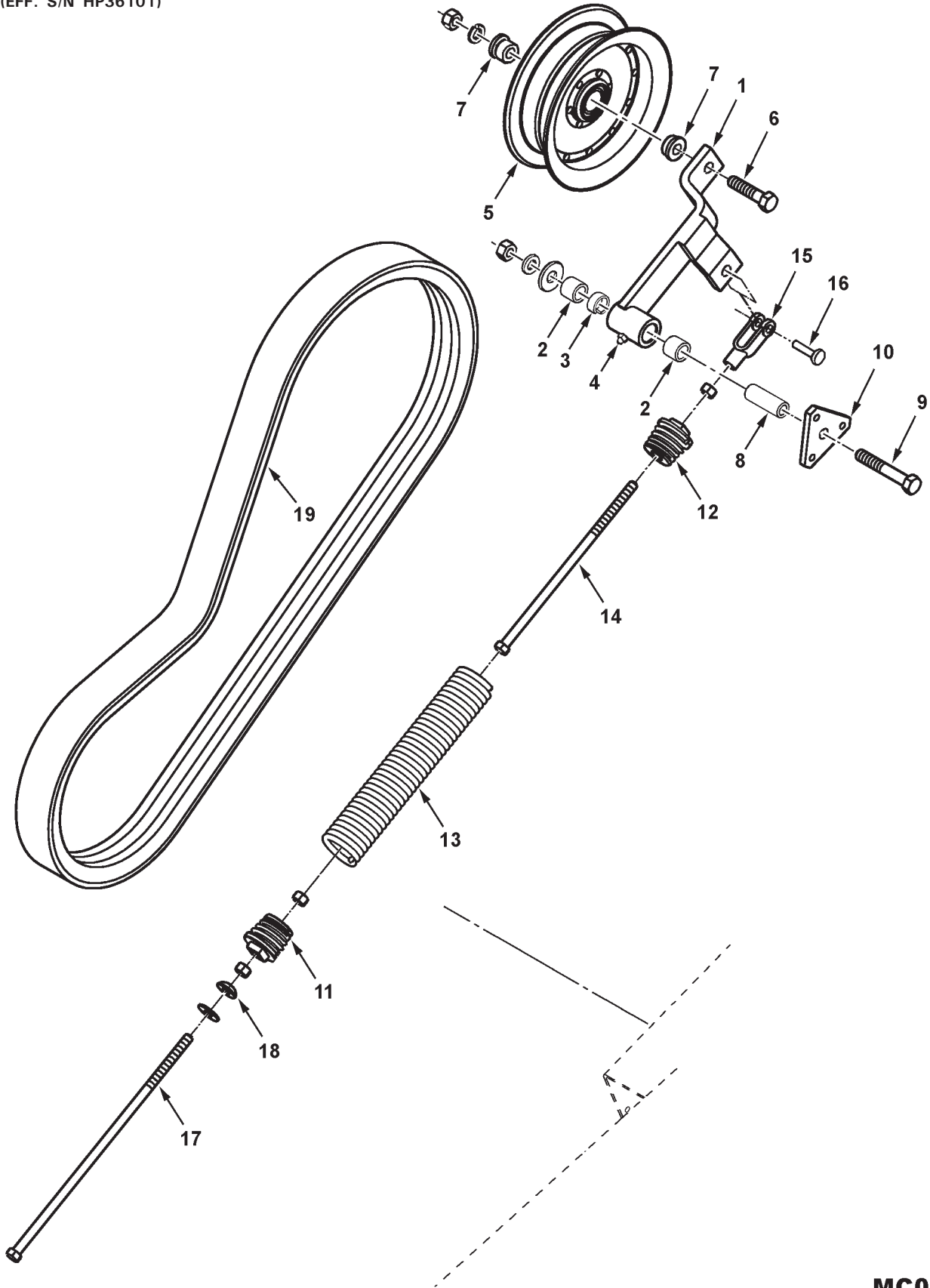
285

**RH DRIVE
(PRIOR S/N HP36101)**

ITEM	NUMBER	QTY	DESCRIPTION
1	71389638	1	IDLER ARM WLDMT, W/BUSHINGS
	13811X	1	LUBE FTG, STR, 1/4-28 TAPER THD
2	71356060	2	BUSHING, PIVOT
3	71197117	1	SPACER, BUSHING
4	71308156	2	IDLER, BELT DRIVE
5	70919434	1	CAPSCREW, 5/8-11 X 2-3/4 GR5
	70917373	1	LOCKWASHER, 5/8 REG
	70932665	1	NUT, 5/8-11
6	71182840	2	PLATE, IDLER MNTG (PRIOR S/N HN36101)
	704056	12	JAM NUT, 1/2-13 (PRIOR S/N HN36101)
	71346267	2	PLATE, IDLER MNTG (EFF. S/N HN36101)
	70922037	12	JAM NUT, 3/4-10 (EFF. S/N HN36101)
7	71356061	1	SLEEVE, HARD, IDLER PIVOT
8	70925703	1	CAPSCREW, 5/8-11 X 4 GR5
	70918432	1	WASHER, 5/8 WIDE
	70917373	1	LOCKWASHER, 5/8 REG
	70932665	1	NUT, 5/8-11 REG
9	71388217	1	IDLER, BELT DRIVE
10	70923111	1	CAPSCREW, 5/8-11 X 3 GR5
	70918432	3	WASHER, 5/8 WIDE (USE AS REQUIRED)
	70917373	1	LOCKWASHER, 5/8 REG
	70932665	1	NUT, 5/8-11 REG
11	70925704	1	CAPSCREW, 5/8-11 X 4-1/2 GR5
	70917373	1	LOCKWASHER, 5/8 REG
	70932665	1	NUT, 5/8-11 REG
12	700149006	1	SPACER
13	71344647	1	PLUG ASY, SPRING
	71344649	1	PLUG, SPRING
	704031	1	NUT, 1/2-13 REG
	70937461	1	WASHER, .531 X .812 X .036
14	71344649	1	PLUG, SPRING
15	71197323	1	SPRING
16	70935299	1	CAPSCREW, FULL THD, 1/2-13 X 12" GR5
17	70937465	1	YOKE
	704031	1	NUT, 1/2-13 REG
18	70929593	1	PIN, CLEVIS, 1/2 X 1.36 LG
	70918452	1	COTTER PIN, 1/8 X 1"
19	70935036	1	CAPSCREW, FULL THD, 1/2-13 X 16" GR5
	704031	1	NUT, 1/2-13 REG
20	70301781	1	WASHER, PIVOT
	70918431	1	WASHER, 1/2, WIDE
21	71379105	1	BELT, FEEDER DRIVE

MCO0349
PR: 156

JACKSHAFT DRIVE
R.H. FEEDERHOUSE
(EFF. S/N HP36101)



**9790 COMBINE
FEEDER**

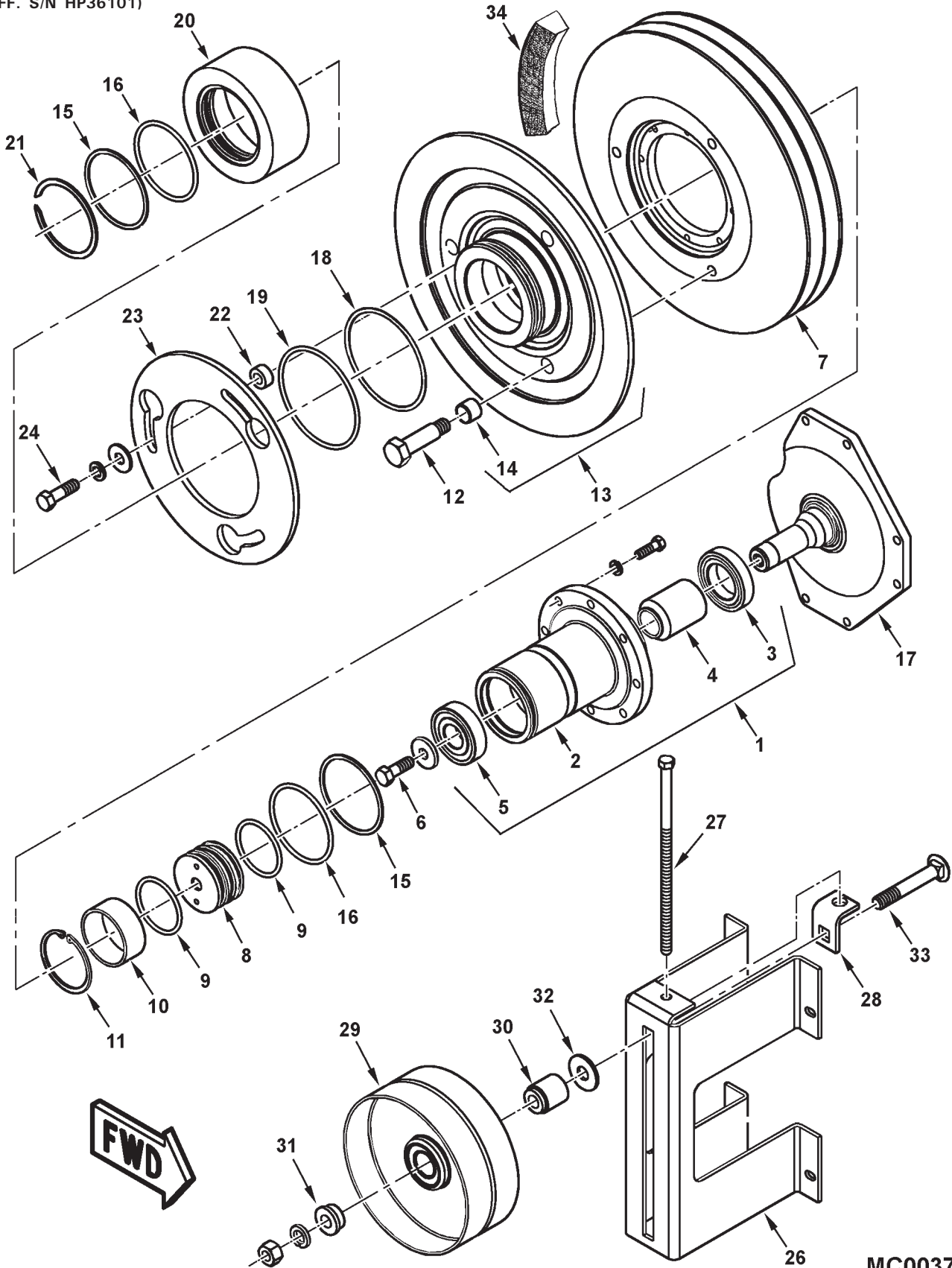
287

**JACKSHAFT DRIVE
R.H. FEEDERHOUSE
(EFF. S/N HP36101)**

ITEM	NUMBER	QTY	DESCRIPTION
1	71389638	1	IDLER ARM ASY, JACKSHAFT DR (INCL. ITEMS 2, 3 & 4)
2	71356060	2	BUSHING, PIVOT
3	71197117	1	SPACER, BUSHING
4	13811X	1	LUBE FITTING, STR, 1/4-28 TAPER
5	71309768	1	IDLER, BELT DRIVE
6	70919434	1	CAPSCREW, 5/8-11 X 2-3/4 GR5
	70917373	1	LOCKWASHER, 5/8
	70932665	1	NUT, 5/8-11 REG
7	71312602	2	SPACER, IDLER
8	71356061	1	SLEEVE, HARD, IDLER PIVOT
9	70925703	1	CAPSCREW, 5/8-11 X 4 GR5
	70918432	1	WASHER, 5/8, WIDE
	70917373	1	LOCKWASHER, 5/8
	70932665	1	NUT, 5/8-11 REG
10	71346267	1	PLATE, MOUNTING
	70922037	6	JAM NUT, 3/4-10
11	71349811	1	PLUG ASY, SPRING
	71349813	1	PLUG, SPRING
	704031	1	NUT, 1/2-13 REG
	70937461	1	WASHER, .531 X .812 X .036
12	71349813	1	PLUG, SPRING
13	71349270	1	SPRING
14	70935299	1	CAPSCREW, 1/2-13 X 12", FULL THD, GR5
15	70937465	1	YOKE, 1/2-13 THD.
	704031	1	NUT, 1/2-13 REG
16	70929593	1	PIN, CLEVIS, 1/2 X 1.36 LG
	70918452	1	COTTER PIN, 1/8 X 1"
17	70935036	1	CAPSCREW, 1/2-13 X 16, FULL THD, GR5
	704031	1	NUT, 1/2-13 REG
18	70301781	1	WASHER, PIVOT
	70918431	1	WASHER, 1/2, WIDE
19	71398384	1	BELT, BEATER TO JACKSHAFT

MC00370
PR: t05b08m42d0008

JACKSHAFT & V.S. IDLER
V.S. HEADER DRIVE
(EFF. S/N HP36101)



**9790 COMBINE
FEEDER**

289

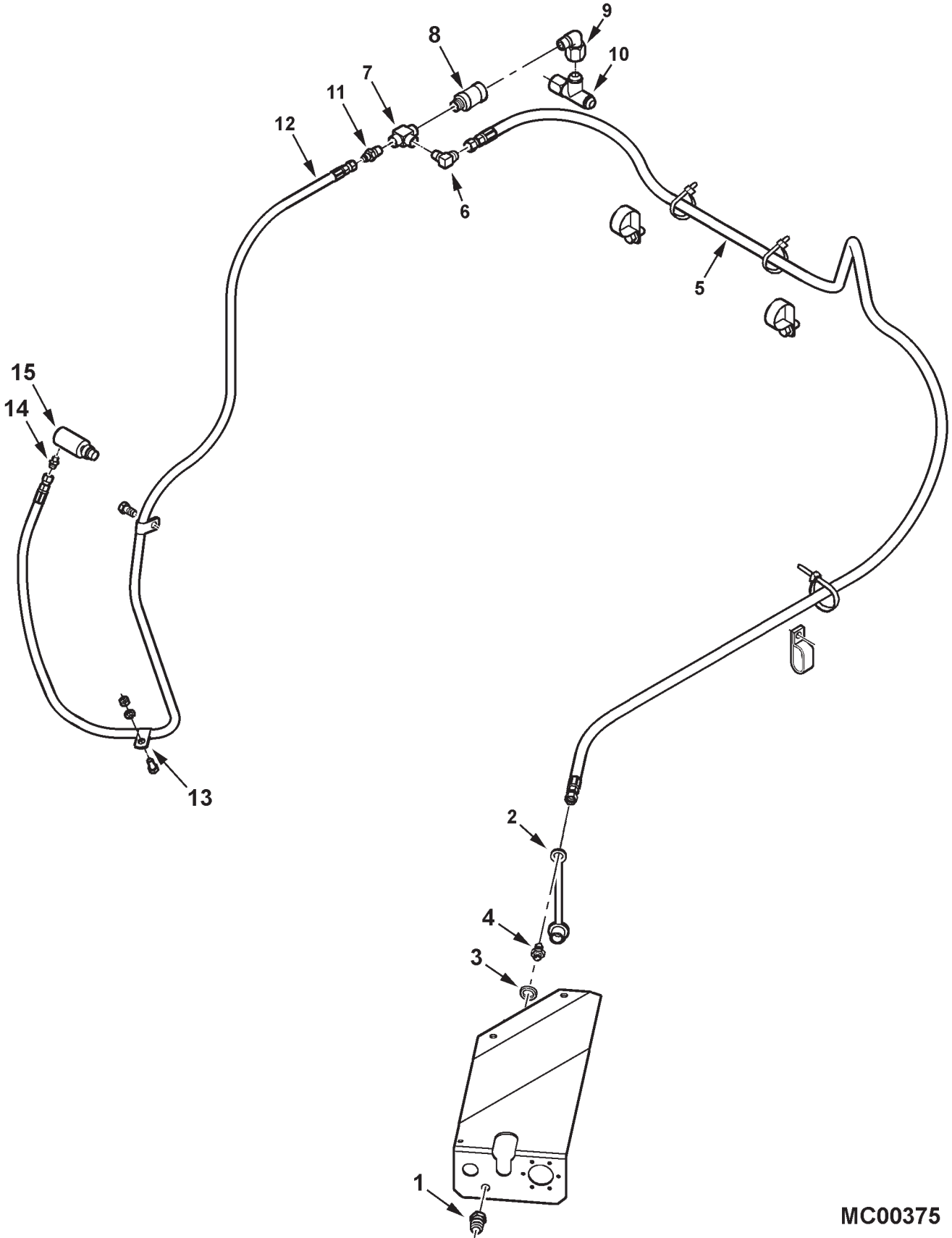
**JACKSHAFT & V.S. IDLER
V.S. HEADER DRIVE
(EFF. S/N HP36101)**

ITEM	NUMBER	QTY	DESCRIPTION
1	71399483	1	HUB & BEARING ASY, VS HDR DRIVE (INCL. ITEMS 2, 3, 4, & 5)
2	71398361	1	HUB, VS HEADER DRIVE
3	71382057	1	BEARING, BALL, W/SEALS
4	71399484	1	SPACER, BRG.
5	71382983	1	BEARING, BALL, W/SEALS
6	701235	1	CAPSCREW, 1/2-13 X 1-1/2 GR5
	70917861	1	WASHER, .531 X 1.50 X .180 TH.
7	71398358B	1	SHEAVE, DRIVEN, FEEDER JACKSHAFT
	70920415	8	CAPSCREW, 3/8-16 X 1-1/4 GR5
	70916965	8	LOCKWASHER, 3/8
8	71382985	1	ADAPTER, ROTARY UNION
9	70923828	2	O-RING, .210 X 2.475 ID, 75 DURO.
10	71382055	1	SPACER, ADAPTER
11	353062X1	1	RETAINING RING, INTERNAL
12	71391567	3	GUIDE PIN, HEX HD, VS HDR DRIVE
13	71382053	1	SHEAVE ASY, OUTER HALF, VS HDR (INCL. IT. 14)
14	71380460	3	BUSHING, GUIDE
15	70926647	2	RING, BACKUP
16	70923831	2	O-RING, .210 X 3.60 ID, 75 DURO.
17	71398360	1	JACKSHAFT, SHEAVE SUPPORT
	70920415	6	CAPSCREW, 3/8-16 X 1-1/4 GR5
	Y704734	6	NUT, HEX FLNG TOP LOCK, 3/8-16
18	70937348	1	RING, BACKUP
19	70937347	1	O-RING, .210 X 4.725 ID, 75 DURO.
20	71391792B	1	CAP, VS HDR DRIVE
21	70937646	1	RETAINING RING, EXTERNAL
22	71312819	3	SPACER
23	71312823	1	DISC, LOCKOUT
24	70919089	3	CAPSCREW, 1/2-13 X 1-3/4 GR5
	Y705624	3	WASHER, 1/2, NARROW
	Y705046	3	LOCKWASHER, 1/2
26	71398379B	1	SUPPORT, IDLER, VS HDR DRIVE
	70921210	2	CAPSCREW, 3/8-16 X 1 GR5
	Y704734	4	NUT, HEX FLNG TOP LOCK, 3/8-16
27	70935033	1	CAPSCREW, 7/16-14 X 10.5 GR5
28	71174391	1	BRACKET WLDMT, IDLER ADJUST
29	71309766	1	IDLER, FLAT, W/BRG, 8.0 OD
30	71312603	1	SPACER, IDLER
31	71312602	1	SPACER, IDLER
32	70918432	1	WASHER, 5/8, WIDE
33	70924845	1	BOLT, RND HD SQ NECK, 5/8-11 X 4 GR5
	70917373	1	LOCKWASHER, 5/8
	70932665	1	NUT, 5/8-11 REG
34	71399505	1	BELT, VS HEADER DRIVE

MC00371
PR: t05b08m42d0009

9790 COMBINE
FEEDER

HYDRAULIC LINES
V.S. HEADER DRIVE
(EFF. S/N HP36101)



9790 COMBINE
FEEDER

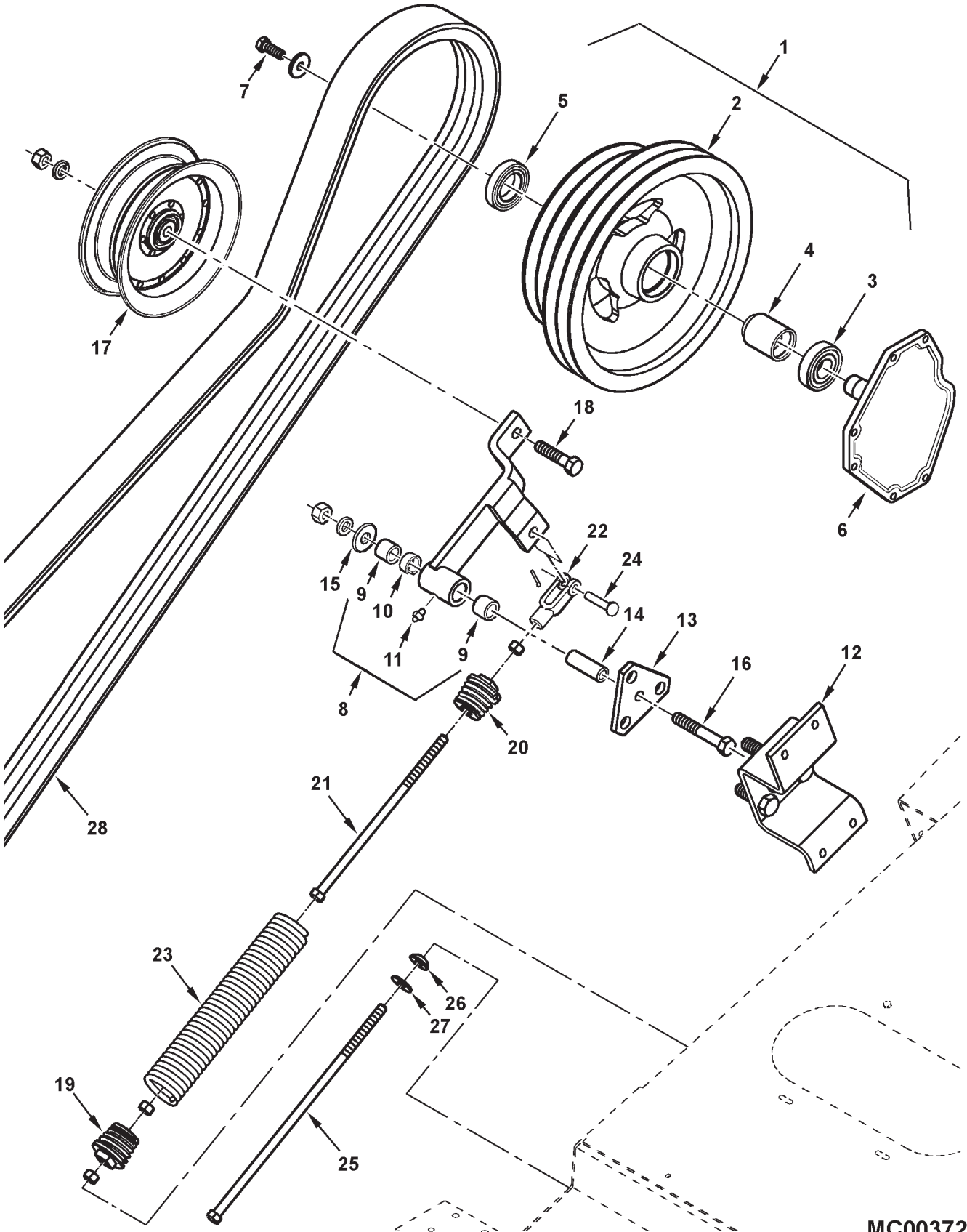
291

HYDRAULIC LINES
V.S. HEADER DRIVE
(EFF. S/N HP36101)

ITEM	NUMBER	QTY	DESCRIPTION
1	71328361	1	QUICK COUPLER HALF, MALE, 1/4 NPTF FEM.
2	71328365	1	DUST CAP, FEM. W/TETHER STRAP
3	Y705624	1	WASHER, 1/2, NARROW
4	70919062	1	CONN, STR. MALE, 9/16-18 JIC X 1/4 NPTF
5	71401755	1	HOSE ASY, 3/8 ID X 9/16-18 JIC FEM. (2)
	70925094	8	TIE, NYLON, .184 X 7.3 LG.
6	70919135	1	ELBOW, 90 D MALE, 9/16-18 JIC X 1/4 NPTF
7	846774	1	TEE, FEM. 1/4 NPTF
8	71368991	1	VALVE, RELIEF, IN-LINE, 500 PSI
9	70935416	1	ELBOW, 90 DEG, 3/8 NPTF M X 3/4-16 FEM.
10	70921298	1	TEE, SWIVEL RUN, 3/4-16 JIC
11	70919140	1	CONN, STR. MALE, 7/16-20 JIC X 1/4 NPTF
12	71401756	1	HOSE ASY, 1/4 ID X 7/16-20 JIC FEM. (2)
	70925617	1	CLAMP, 1/2 ID X .406 HOLE
	Y702951	1	SCR, HEX WSHR HD, 3/8-16 X 3/4
13	755785	2	CLAMP, LINE, 9/16 TUBE X .281 HOLE
	70921960	2	CAPSCREW, 1/4-20 X 1 GR5
	705012	2	LOCKWASHER, 1/4
	70916622	2	NUT, 1/4-20, REG
14	70919171	1	CONN, STR. MALE, 7/16-20 JIC X 1/8 NPTF
15	71332011	1	UNION, ROTATING
	70921885	1	O-RING, .078 X .468 ID

MC00375
PR: t05b08m42d0010

JACKSHAFT & C' SHAFT DRIVE IDLER
FIXED SPEED HEADER DRIVE
(EFF. S/N HP36101)



**9790 COMBINE
FEEDER**

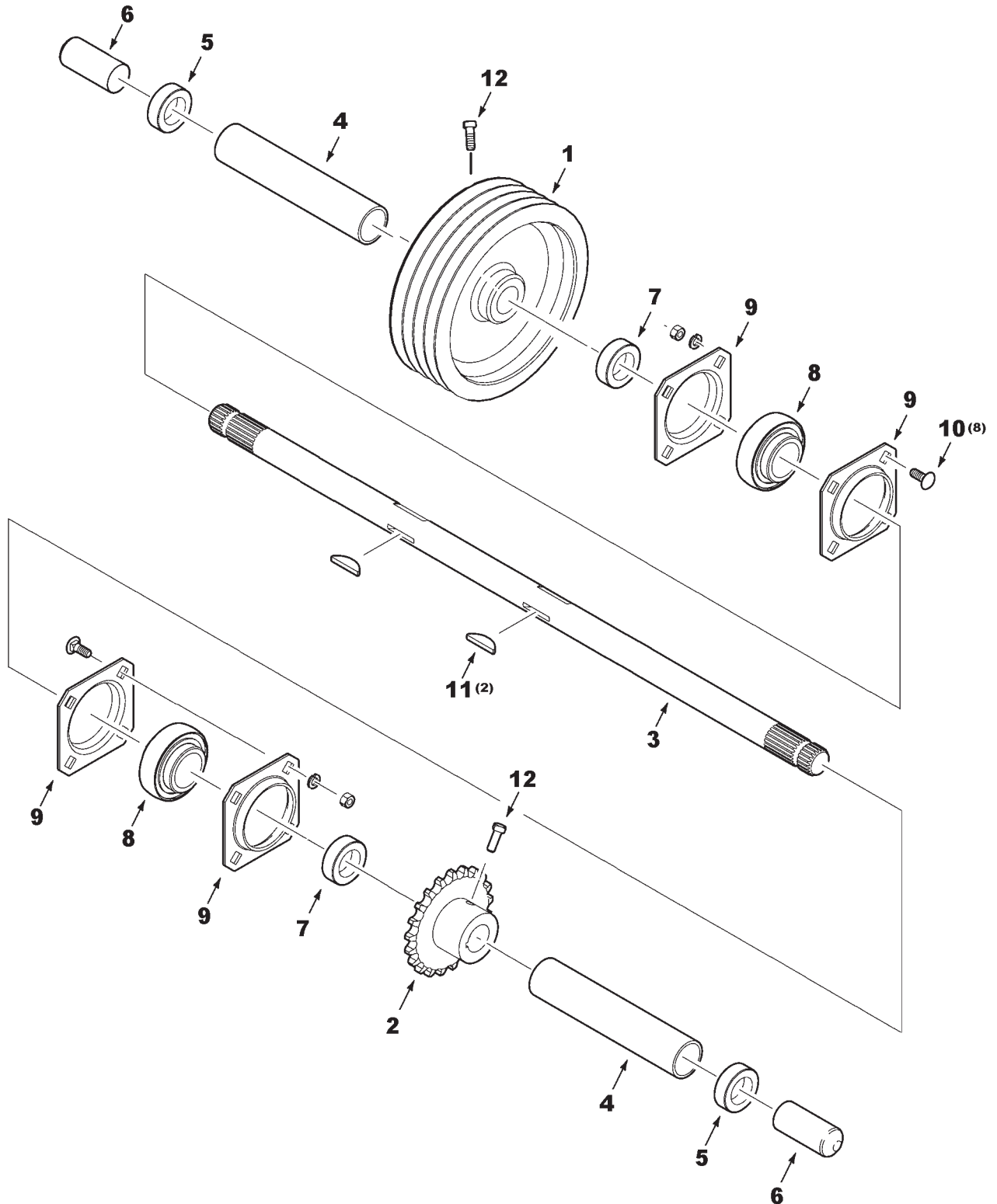
293

**JACKSHAFT & C'SHAFT DRIVE IDLER
FIXED SPEED HEADER DRIVE
(EFF. S/N HP36101)**

ITEM	NUMBER	QTY	DESCRIPTION
1	71399520B	1	SHEAVE ASY, W/BEARINGS (INCL ITEM 2, 3, 4 & 5)
2	71398364	1	SHEAVE, DRIVEN, FEEDER JACKSHAFT
3	71382057	1	BEARING, BALL, W/SEALS
4	71399484	1	SPACER, BEARING
5	71382983	1	BEARING, BALL, W/SEALS
6	71398360	1	JACKSHAFT, SHEAVE SUPPORT
	70920415	6	CAPSCREW, 3/8-16 X 1-1/4 GR5
	Y704734	6	NUT, HEX FLNG TOP LOCK, 3/8-16
7	701235	1	CAPSCREW, 1/2-13 X 1-1/2 GR5
	70917861	1	WASHER, .531 X 1.50 X .180 TH.
8	71389638	1	IDLER ARM ASY, FIXED SPD HDR DRIVE (INCL IT. 9, 10 & 11)
9	71356060	2	BUSHING, PIVOT
10	71197117	1	SPACER, BUSHING
11	13811X	1	LUBE FITTING, STR, 1/4-28 TAPER
12	71398391	1	SUPPORT WLDMT, IDLER, FIXED SPD DRIVE
	70921210	2	CAPSCREW, 3/8-16 X 1 GR5
	Y704734	4	NUT, HEX FLNG TOP LOCK, 3/8-16
13	71346267	1	PLATE, MOUNTING
	70922037	6	JAM NUT, 3/4-10 UNC
14	71356061	1	SLEEVE, HARD, IDLER PIVOT
15	70918432	1	WASHER, 5/8, WIDE
16	70925703	1	CAPSCREW, 5/8-11 X 4 GR5
	70917373	1	LOCKWASHER, 5/8
	70932665	1	NUT, 5/8-11 REG
17	71308156	1	IDLER, FLAT, FLANGED, 8.0 DIA
18	70919434	1	CAPSCREW, 5/8-11 X 2-3/4 GR5
	70917373	1	LOCKWASHER, 5/8
	70932665	1	NUT, 5/8-11 REG
19	71349811	1	PLUG ASY, SPRING
	71349813	1	PLUG, SPRING
	704031	1	NUT, 1/2-13 REG
	70937461	1	WASHER, .531 X .812 X .036
20	71349813	1	PLUG, SPRING
21	70935035	1	CAPSCREW, 1/2-13 X 8-1/2, FULL THD, GR5
22	70937465	1	YOKE, 1/2-13 UNC
	704031	1	NUT, 1/2-13 REG
23	71349270	1	SPRING
24	70929593	1	PIN, CLEVIS, 1/2 X 1.36 LG
	70918452	1	COTTER PIN, 1/8 X 1"
25	70935299	1	BOLT, HEX, 1/2-13 X 12, FULL THD, GR5
	704031	1	NUT, 1/2-13 REG
26	70301781	1	WASHER, PIVOT, CONVEX, 1/2
27	70918431	1	WASHER, 1/2, WIDE
28	71399519	1	BELT, FIXED SPEED C'SHAFT DRIVE

MC00372
PR: t05b08m42d0011

COUNTERSHAFT
HEADER DRIVE
(PRIOR S/N HP36101)



9790 COMBINE
FEEDER

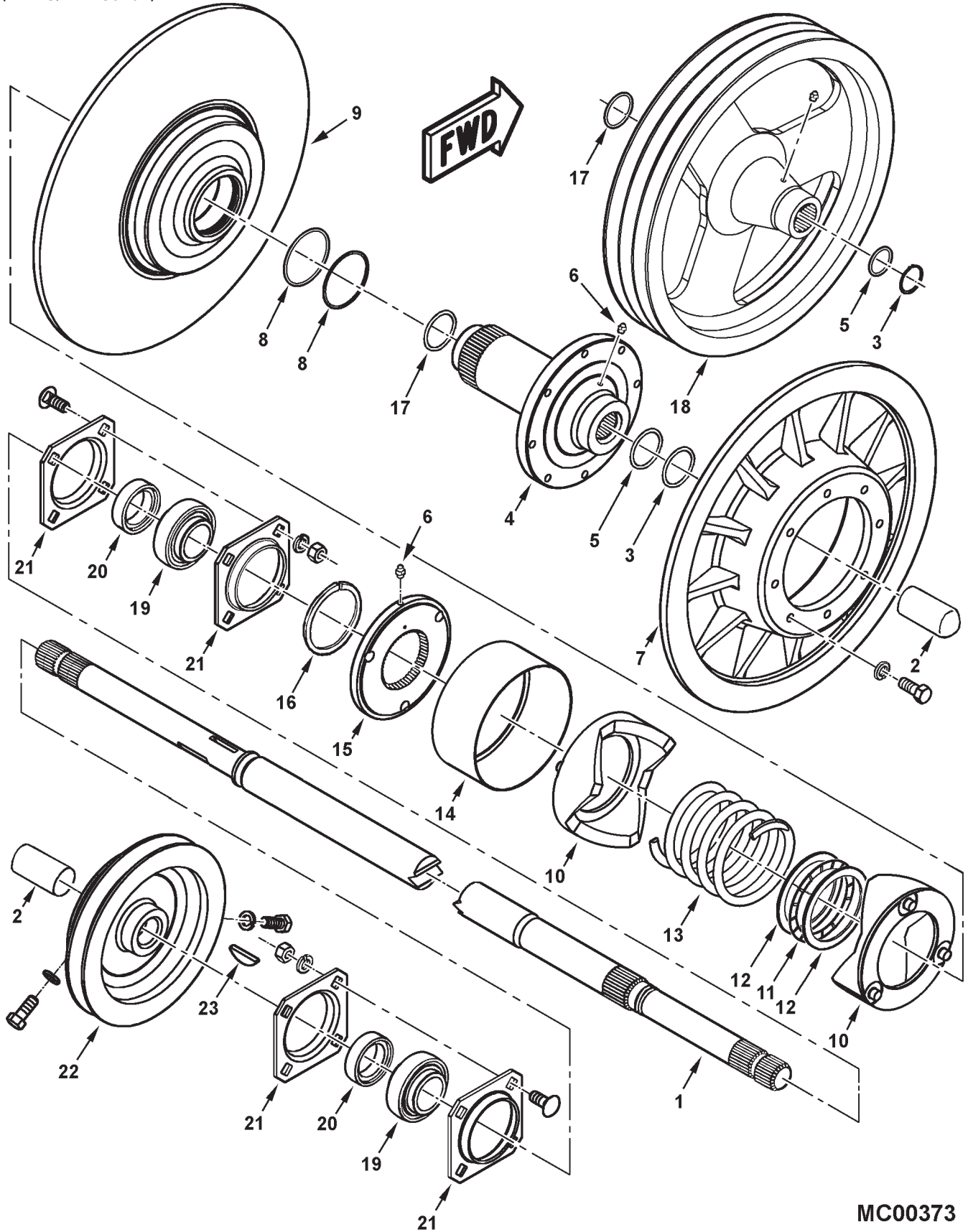
295

COUNTERSHAFT
HEADER DRIVE
(PRIOR S/N HP36101)

ITEM	NUMBER	QTY	DESCRIPTION
1	71393671	1	SHEAVE, RH
2	71379103	1	SPROCKET, LH
3	71393665	1	COUNTERSHAFT
4	71388239	2	COVER, FEEDER C'SHAFT
5	K3999	2	COLLAR (INCL. SETSCREW)
6	71179395	2	COVER, SHAFT
7	70534931	2	COLLAR, 1.75 (INCL. SETSCREW)
8	71335184	2	BEARING ASY. 1.75 (W/O COLLAR)
9	71130258	4	FLANGE, BEARING
10	68619	8	BOLT, RD HD,SHT SQ NK, 1/2-13 X 1-1/4
	Y705046	8	LOCKWASHER, 1/2 REG
	704031	8	NUT, 1/2-13 REG
11	700707139	2	KEY, WOODRUFF, #27, .250 X 2.125
12	70923306	4	SETSCREW, 1/2-13 X 1.0

MCO0350
PR: 158

COUNTERSHAFT
VARIABLE & FIXED SPEED HEADER DRIVE
(EFF. S/N HP36101)



**9790 COMBINE
FEEDER**

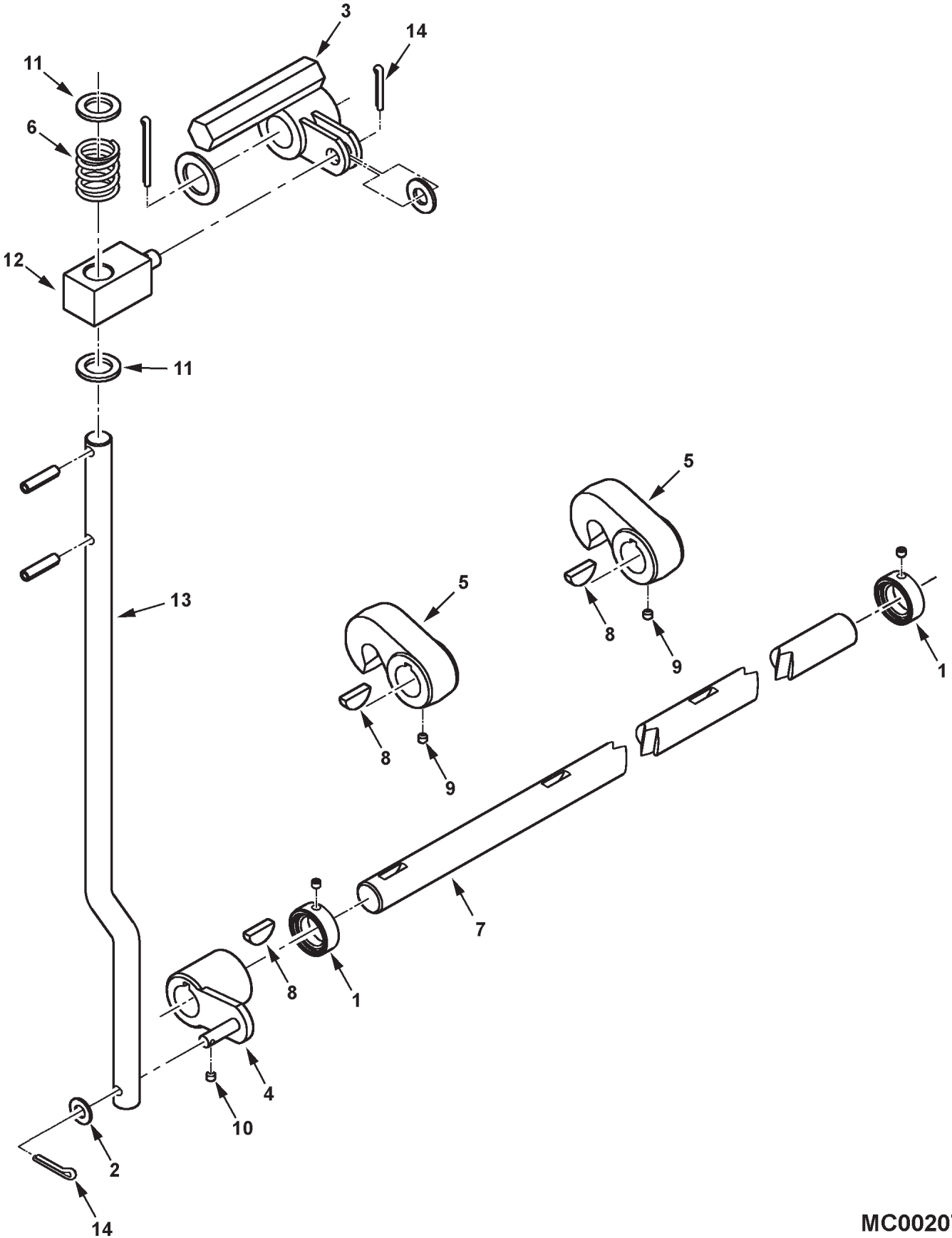
297

**COUNTERSHAFT
VARIABLE & FIXED SPEED HEADER DRIVE
(EFF. S/N HP36101)**

ITEM	NUMBER	QTY	DESCRIPTION
1	71399486	1	COUNTERSHAFT, FEEDER
2	71179395	2	COVER, SHAFT
3	70927745	1	RING, EXTERNAL RETAINING
4	71399485	1	HUB, V.S. COUNTERSHAFT
5	70923813	1	O-RING, .139 X 1.359 ID, 75 DUR
6	13811X	2	LUBE FITTING, STR, 1/4-28 TAPER
7	71380043	1	SHEAVE HALF, OUTER, V.S. HEADER
	70920415	8	CAPSCREW, 3/8-16 X 1-1/4 GR5
	70916965	8	LOCKWASHER, 3/8
8	70923584	1	O-RING, .139 X 2.984 ID, 75 DUR
	70926626	1	RING, BACKUP, .050 TH X 3.0 ID
9	71395799	1	SHEAVE HALF, INNER, V.S. HEADER
10	71399487	2	CAM, ACTUATOR, V.S. HEADER
11	71161396	1	BEARING, THRUST
12	71173857	2	RACE, THRUST BEARING
13	71380028	1	SPRING, V.S. HEADER CAM
14	71380905	1	COVER, CAM
15	71380463	1	PLATE, CAM CARRIER
16	70930415	1	RING, EXTERNAL RETAINING
17	70923577	1	O-RING, .139 X 1.734 ID, 75 DUR
18	71398365B	1	SHEAVE, DRIVEN, FIXED SPEED HEADER
	13887X	1	LUBE FITTING, STR, 1/4 PTF
19	71335184	2	BEARING, W/O COLLAR, 1.75 DIA
20	70534931	2	COLLAR, BRG.
21	71130258	4	FLANGE, BEARING
	68619	8	BOLT, RND HD SQ NECK, 1/2-13 X 1-1/4
	Y705046	8	LOCKWASHER, 1/2
	704031	8	NUT, 1/2-13 REG
22	71398362B	1	SHEAVE, DRIVE, C'SHAFT, LH
	70923306	2	SETSCREW, SQ HD, 1/2-13 X 1
23	700707139	1	KEY, WOODRUFF, #27, .250 X 2.125

MC00373
PR: t05b08m42d0012

LATCH
HEADER



**9790 COMBINE
FEEDER**

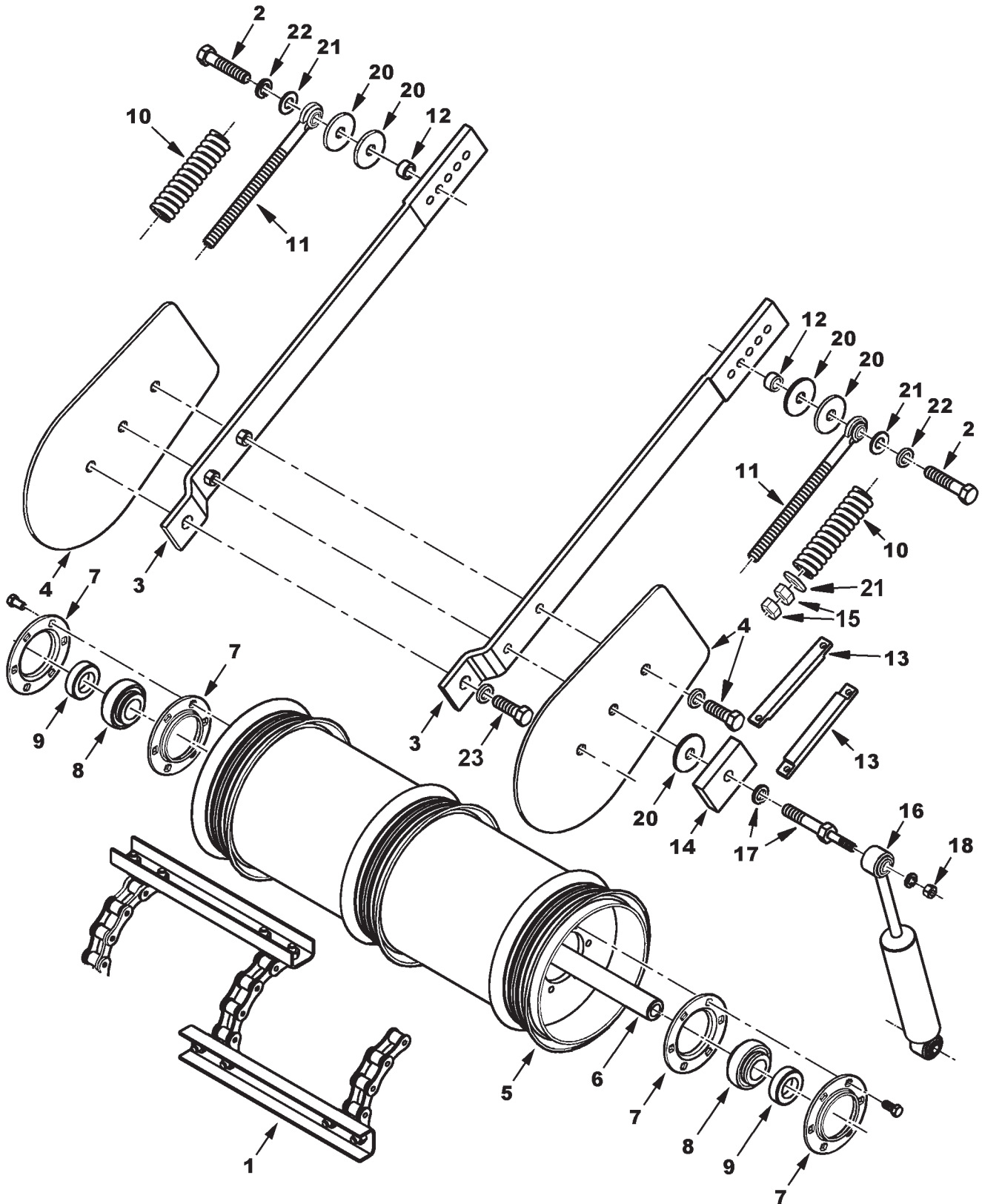
299

**LATCH
HEADER**

ITEM	NUMBER	QTY	DESCRIPTION
1	375028X1	2	COLLAR, LOCK, W/ SETSCREW (QTY 1 PRIOR S/N HP 36101)
	70915794	2	SETSCREW, 1/4-20 X 1/4
2	70917378	1	WASHER, 3/8 WIDE (PRIOR S/N HP36101)
	70918266	3	WASHER, 3/8 NARROW (EFF. S/N HP36101)
3	116346W1	1	CRANK ASSEMBLY, LATCH, UPPER
	70919393	1	WASHER, PLAIN, 1.02 X 1.63 X 12 GA
	70918459	1	PIN, COTTER, 3/16 X 1 1/2
4	116343W1	1	CRANK ASSEMBLY, LATCH, LOWER
5	71317841	2	HOOK
6	116312W1	1	SPRING
	70915935	2	PIN, SPRING, 5/16 X 1-1/4
7	116349W1	1	SHAFT, HEADER LATCH (PRIOR S/N HP36101)
	71406802	1	SHAFT, HEADER LATCH (EFF. S/N HP36101)
8	70905126	3	KEY, WOODRUFF, #808, 1/4 X 1 DIA
9	70903835	2	SETSCREW, 1/4-20 X 3/8
10	70921263	1	SETSCREW, 5/16-18 X 3/8
11	70923427	2	WASHER, 25/32 X 1-1/4 X 11 GA
12	116348W1	1	BLOCK, LATCH PIVOT
	Y705624	1	WASHER, 1/2 NARROW
13	116339W1	1	ROD, LATCH (PRIOR S/N HP36101)
	71406803B	1	ROD, LATCH (EFF. S/N HP36101)
14	70918452	2	PIN, COTTER, 1/8 X 1

MC00207
PR: 160

CONVEYOR
(PRIOR S/N HP36101)



**9790 COMBINE
FEEDER**

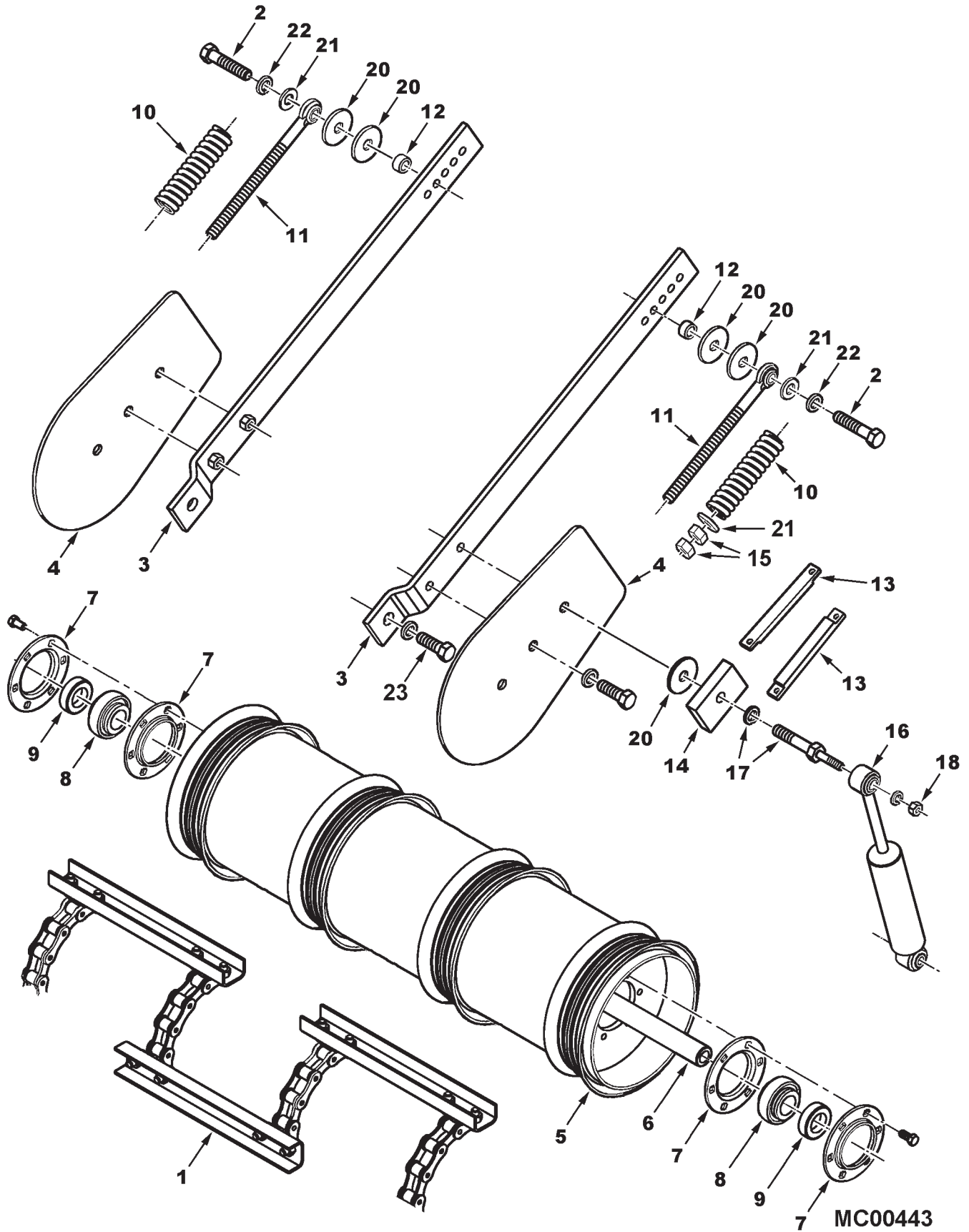
301

**CONVEYOR
(PRIOR S/N HP36101)**

ITEM	NUMBER	QTY	DESCRIPTION
1	71449003	1	CHAIN ASY, FEEDER CONVEYOR, W/SLATS
	71149999	1	CHAIN ASY, CONVEYOR, CENTER
	71449001	2	CHAIN ASY, CONVEYOR, SIDE
	71149894	AR	LINK, ATTACHING
	70937300	AR	LINK, ROLLER
	71149896	AR	LINK, OFFSET (INCL. PIN & LOCKNUT)
	71149895	AR	LINK, COUPLING
	70920397	AR	NUT, NYLON LOCK, 1/4-20
	71387896	28	SLAT, FEEDER CHAIN
	70937603	112	CAPSCREW, LOCKING, 1/2-13 X 3/4 GR8
	70928512	112	NUT, 1/2-13 REG GR8
2	70923111	2	CAPSCREW, 5/8-11 X 3 GR5
3	71381680	2	ARM ASY, FEEDER DRUM
4	71381682	2	SHIELD, DUST
	70923151	2	CAPSCREW 5/8-11 X 1-1/4 GR5
	70917373	2	LOCKWASHER, 5/8 REG
5	71387894	1	DRUM WLMT, 8.625
	71377310	3	WEAR RING, 8.625"
6	71387895	1	SHAFT, CONVEYOR DRUM
7	71370634	4	FLANGE, BEARING, 72MM
	70925625	12	CAPSCREW, 3/8-16 X 7/8, NYLOK GR8
	705038	12	LOCKWASHER, 3/8 REG
8	71309117	2	BEARING, 1-1/4, INCL. COLLAR
9	7710551	2	COLLAR, BEARING
10	71375335	2	SPRING
11	71363526	2	EYEBOLT, 5/8-11 THD.
12	71370121	2	BUSHING, ARM
13	71370496	4	STOP, ARM, FEEDER HOUSING.
	70931317	8	BOLT, RD HD, SHT SQ NK 1/4-20 X 3/4
	70916964	8	LOCKWASHER, 1/4
	70916622	8	NUT, 1/4-20 REG
14	71370120	2	STOP, DRUM POSITION
15	70915726	4	NUT, 5/8-11 REG
16	71315999	2	SHOCK ABSORBER
	70925696	2	CAPSCREW, 7/16-14 X 2 GR5
	70918199	2	LOCKWASHER, 7/16
	70918267	2	WASHER, 7/16 NARROW
17	71376888	2	STUD, DAMPER ATTACH
	70917373	2	LOCKWASHER, 5/8 REG
18	70930757	2	NUT, NYLOCK, 7/16-14
	70918267	2	WASHER, 7/16 NARROW
20	70937480	6	WASHER, HARD, 21/32 X 2-1/4 X 8 GA.
21	70918268	4	WASHER, PLAIN, 5/8 NARROW
22	70917373	2	LOCKWASHER, 5/8 REG
23	70937548	2	CAPSCREW, 3/4-10 X 2, GR 8, NYLOK
	70919332	2	LOCKWASHER, 3/4 REG
-	79021665	AR	LOCTITE, SEALANT, 271

MC00351
PR: 162

CONVEYOR
(EFF. S/N HP36101)



MC00443

**9790 COMBINE
FEEDER**

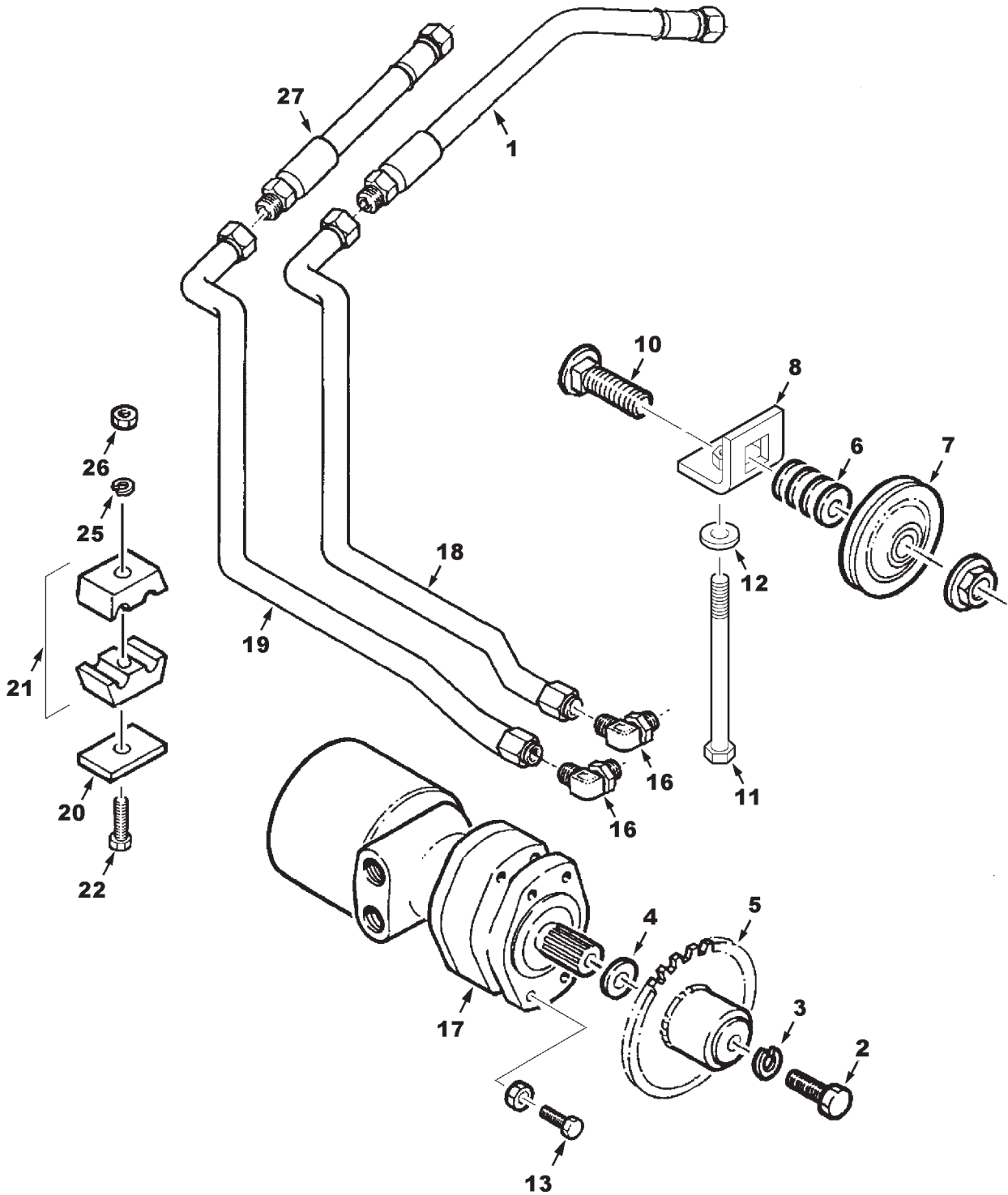
303

**CONVEYOR
(EFF. S/N HP36101)**

ITEM	NUMBER	QTY	DESCRIPTION
1	71449017	1	CHAIN ASY, CONVEYOR, 3-STRAND W/SLATS (PRIOR S/N HS36101)
	71449016	1	CHAIN ASY, CONVEYOR, CENTER
	71449015	2	CHAIN ASY, CONVEYOR, SIDE
	71449025	1	CHAIN ASY, CONVEYOR, 4-STRAND W/SLATS (EFF. S/N HS36101)
	71449016	2	CHAIN ASY, CONVEYOR, CENTER
	71449015	2	CHAIN ASY, CONVEYOR, SIDE
	71149894	AR	LINK, ATTACHING
	70937300	AR	LINK, ROLLER
	71149896	AR	LINK, OFFSET, INCL. PIN & LOCKNUT
	71149895	AR	LINK, COUPLING
	70920397	AR	NUT, NYLON LOCK, 1/4-20
	71387896	28	SLAT, FEEDER CHAIN (3-STRAND)
	71411426	42	SLAT, FEEDER CHAIN (4-STRAND)
	70937603	168	CAPSCREW, LOCKING, 1/2-13 X 3/4 GR8 (QTY 112 ON 3-STRAND CHAIN)
	70928512	168	NUT, 1/2-13 GR8 (QTY 112, 3-STRAND)
2	70923111	2	CAPSCREW, 5/8-11 X 3 GR5
3	71396481	2	ARM, FRONT FEEDER DRUM
4	71381682	2	SHIELD, DUST
	70923113	2	CAPSCREW 5/8-11 X 1 GR5
	70917373	2	LOCKWASHER, 5/8
5	71387894	1	DRUM WLMT, 8.625 (PRIOR S/N HS36101)
	71411425	1	DRUM WLMT, 8.625 (EFF. S/N HS36101)
	71377310	4	WEAR RING, 8.625" (QTY 3 PRIOR HS36101)
6	71387895	1	SHAFT, CONVEYOR DRUM
7	71370634	4	FLANGE, BEARING, 72MM
	70925625	12	CAPSCREW, 3/8-16 X 7/8, NYLON GR8
	705038	12	LOCKWASHER, 3/8 REG
8	71309117	2	BEARING, 1-1/4, (INCL. COLLAR)
9	7710551	2	COLLAR, BEARING
10	71375335	2	SPRING
11	71363526	2	EYEBOLT, 5/8-11 THD.
12	71370121	2	SPACER, ARM
13	71370496	4	STOP, ARM, FEEDER HOUSING.
	70931317	8	BOLT, CARR, 1/4-20 X 3/4 (PRIOR HS36101)
	70916964	8	LOCKWASHER, 1/4
	70916622	8	NUT, 1/4-20 REG
	3009330X1	8	BOLT, RD HD SQ NK, M6-1.0 X 20 CL8.8 (EFF. S/N HS36101)
	339375X1	8	LOCKWASHER, M6
	339030X1	8	NUT, M6 X 1.0, REG
14	71370120	2	STOP, DRUM POSITION
15	70915726	4	NUT, 5/8-11 REG
16	71315999	2	SHOCK ABSORBER
	70925696	2	CAPSCREW, 7/16-14 X 2 GR5
	70918199	2	LOCKWASHER, 7/16
	70918267	2	WASHER, 7/16 NARROW
17	71406934	2	STUD, DAMPER ATTACH
18	70930757	2	NUT, NYLOCK, 7/16-14
	70918267	2	WASHER, 7/16 NARROW
20	Y705582	6	WASHER, HARD, .688 X 1.28 X .125 TH
21	70918268	4	WASHER, PLAIN, 5/8 NARROW
22	70917373	4	LOCKWASHER, 5/8
23	70937548	2	CAPSCREW, 3/4-10 X 2, GR 8, NYLON
	70919332	2	LOCKWASHER, 3/4 REG
-	79021665	AR	LOCTITE, SEALANT, 271

MC00443
PR: t05b08m42d0013

FEEDER REVERSER
LINES & FITTINGS
(PRIOR S/N HP36101)



**9790 COMBINE
FEEDER**

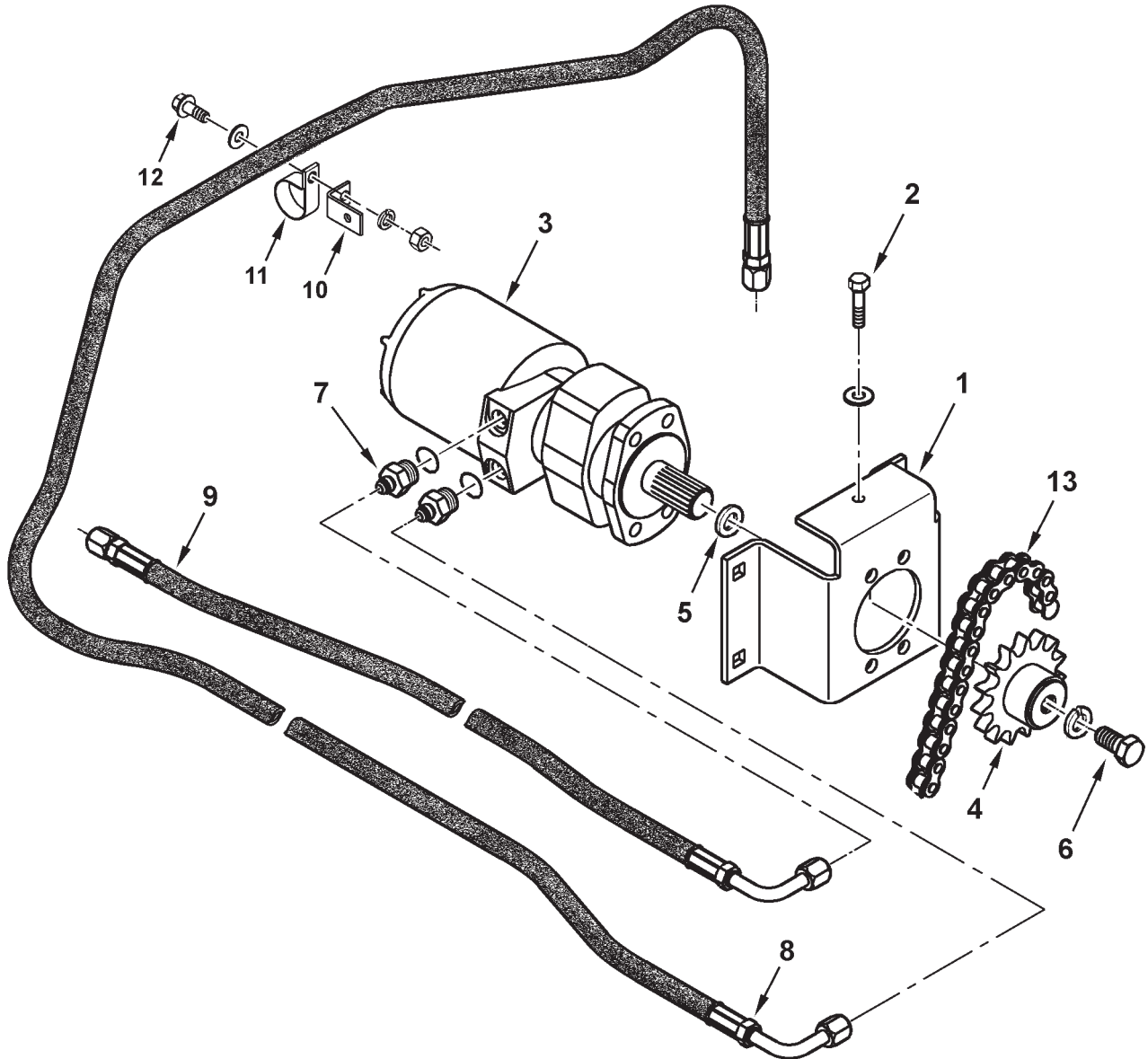
305

**FEEDER REVERSER
LINES & FITTINGS
(PRIOR S/N HP36101)**

ITEM	NUMBER	QTY	DESCRIPTION
1	112046W1	1	HOSE ASY, REVERSER RETURN, 3/8 X 32"
2	353609X1	1	CAPSCREW, 5/8-18 UNF X 1-1/4 GR5
3	70917373	1	LOCKWASHER, 5/8 REG
4	363282X1	AR	WASHER, SPCL, FLAT, .688 X 1.0 X .048
5	71379631	1	SPROCKET WLDMT, 15T 3/4 P
6	70918268	6	WASHER, 5/8 NARROW
7	71378873	1	SPROCKET, IDLER, 15 TEETH
8	71174391	1	BRACKET WLDMT, IDLER ADJUST
10	70933955	1	BOLT, RD HD,SQ NK, 5/8-11 X 2-3/4
	700703922	1	NUT, HEX FLNG, TOP LOCK, 5/8-11 UNC
11	70935032	1	CAPSCREW, 7/16-14 X 6 GR5
12	70918267	1	WASHER, 7/16 NARROW
13	701235	4	CAPSCREW, 1/2-13UNC X 1-1/2 GR5
	Y704742	4	NUT, HEX FLANGE TOP LOCK, 1/2-13
16	70924786	2	ELBOW, 90 DEG, 7/8-14 ORB X 3/4-16 JIC
	70921205	2	O-RING, .097 X .755 ID
17	104307W91	1	MOTOR AND CLUTCH ASSEMBLY (SEE MOTOR & CLUTCH LISTING)
18	71391087	1	TUBE ASSEMBLY, 1/2
19	71391086	1	TUBE ASSEMBLY, 1/2
20	101646M1	2	COVER PLATE
21	148022M1	2	CLAMP PAIR, DOUBLE, 1/2 X 1/2 DIA
22	7701485	2	CAPSCREW, 1/4-20 X 2" GR5
25	70916964	2	LOCKWASHER, 1/4 REG
26	70916622	1	NUT, 1/4-20 UNC, REG
27	71394137	1	HOSE ASY, REVERSER SUPPLY, 3/8 X 96"

MC00353
PR: 164

FEEDER REVERSER
DRIVE & HYDRAULICS
(EFF. S/N HP36101)



**9790 COMBINE
FEEDER**

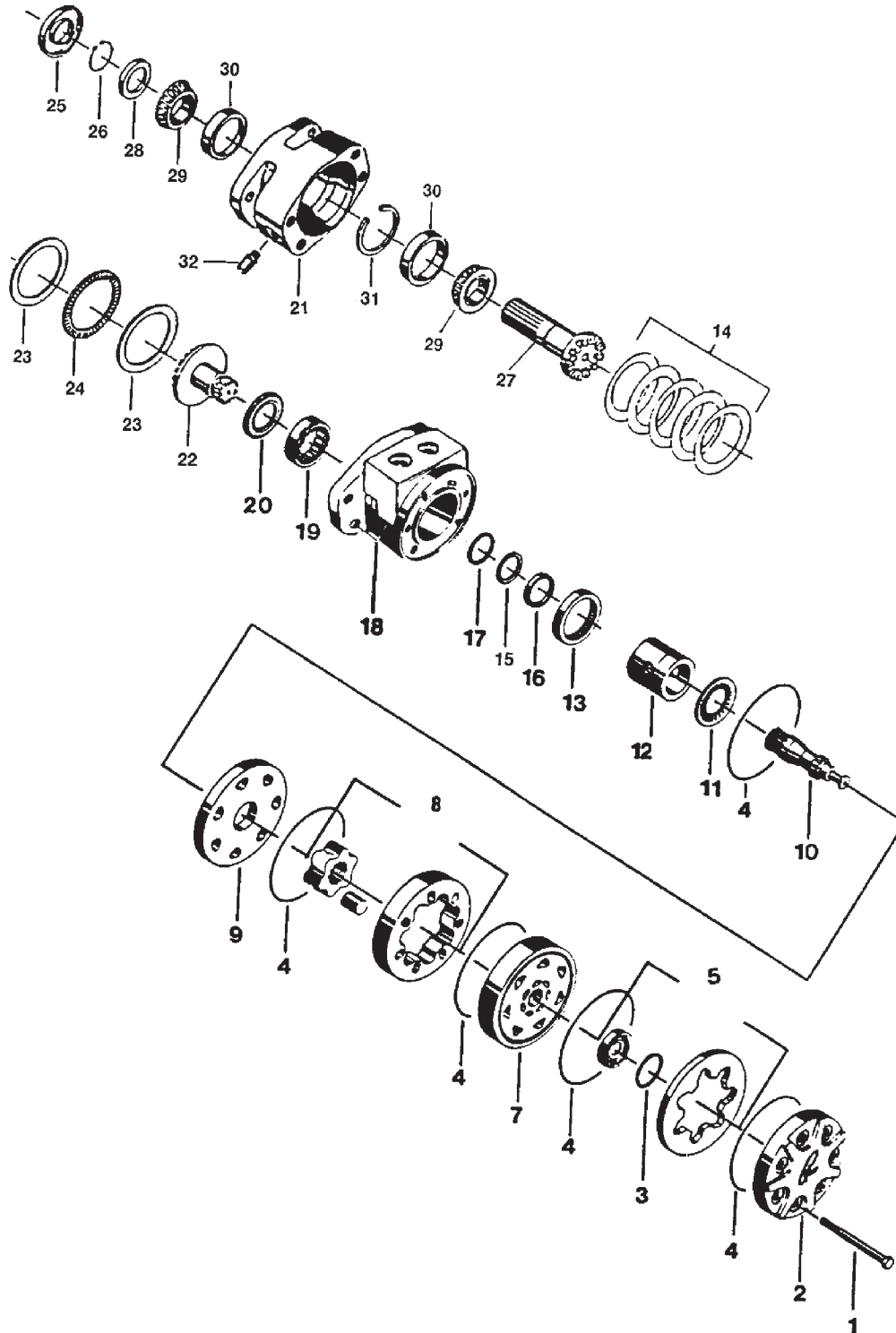
307

**FEEDER REVERSER
DRIVE & HYDRAULICS
(EFF. S/N HP36101)**

ITEM	NUMBER	QTY	DESCRIPTION
1	71400852	1	PLATE WLDMT, FEEDER REV'R MOTOR
	68619	1	BOLT, RND HD SQ NK, 1/2-13 X 1-1/4
	Y705046	1	LOCKWASHER, 1/2
	704031	1	NUT, 1/2-13 REG
	70929116	1	CAPSCREW, 3/8-16 X 2 GR5, FULL THD
2	70918266	1	WASHER, 3/8 NARROW
3	71362941	1	MOTOR AND CLUTCH ASY, REVERSER
	701235	4	CAPSCREW, 1/2-13 X 1-1/2 GR5
4	Y704742	4	NUT, HEX FLNG TOP LOCK, 1/2-13
	71379631	1	SPROCKET WLDMT, 15T 3/4 P
5	363282X1	AR	WASHER, SPCL, FLAT, .688 X 1.0 X .048
6	353609X1	1	CAPSCREW, 5/8-18 UNF X 1-1/4 GR5
	70917373	1	LOCKWASHER, 5/8
7	8746018	2	STR CONN. 9/16-18 JIC X 7/8-14 ORB
	70921205	2	O-RING, .097 X .755 ID
8	71401739	1	HOSE ASY, PRES, 115" (PRIOR S/N HS36101)
	71413448	1	HOSE ASY, PRES, 124" (EFF. S/N HS36101)
9	700716510	1	HOSE ASY, RETURN, 59" LG
10	71407962	1	BRACKET, HOSE CLAMP
11	7041015	1	CLAMP, 2-1/4 ID X .531 HOLE
12	70921965	1	CAPSCREW, 3/8-16 X 3/4 GR5
	70918266	1	WASHER, 3/8 NARROW
	70916965	1	LOCKWASHER, 3/8
	70916950	1	NUT, 3/8-16, REG
13	-----	1	CHAIN ASY, REVERSER DRIVE (INCL. FOLLOWING 2 ITEMS)
	71449019	1	CHAIN, #60, 71 PITCHES
	70914584	1	CONNECTOR LINK, #60 CHAIN

MCO0376
PR: t05b08m42d0014

REVERSER MOTOR & CLUTCH
COMPONENTS
(PRIOR S/N HP36101)



9790 COMBINE
FEEDER

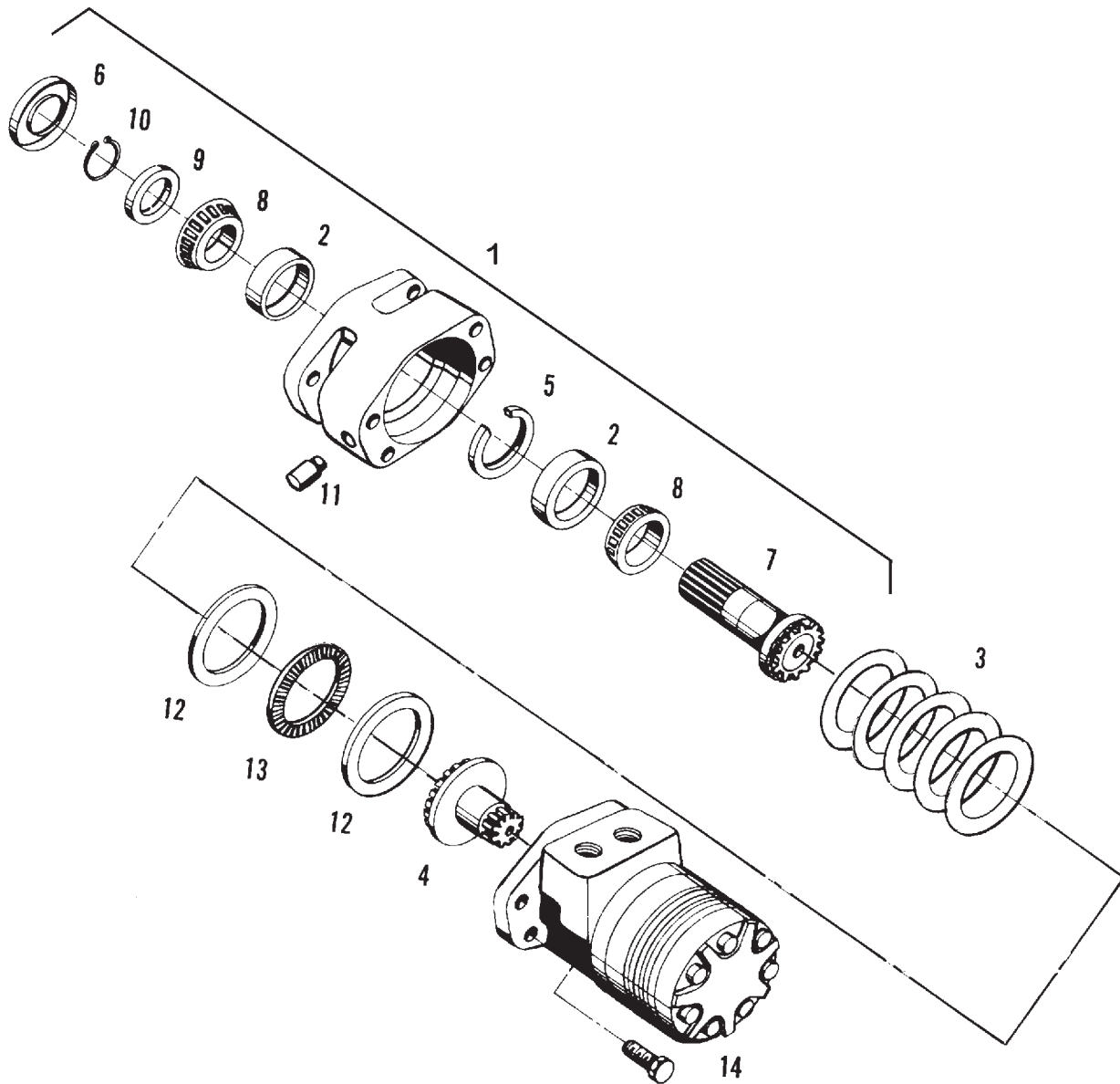
309

REVERSER MOTOR & CLUTCH
COMPONENTS
(PRIOR S/N HP36101)

ITEM	NUMBER	QTY	DESCRIPTION
-	104307W91	1	MOTOR AND CLUTCH, HYDRAULIC (TRW MB)
1	104482W1	7	BOLT, SPECIAL
2	71367309	1	COVER, END
3	1042752M1	1	* RING, SEAL - COMMUTATOR
4	104475W1	5	* RING, SEAL
5	104480W91	1	COMMUTATOR ASSEMBLY (MATCHED SET)
7	104479W1	1	MANIFOLD
8	104478W91	1	SET ROTOR (MATCHED SET)
9	104476W1	1	PLATE, WEAR
10	104477W1	1	LINK, DRIVE
11	71367317	1	BEARING, THRUST
12	71367528	1	COUPLING & RETAINING RING ASSEMBLY
13	71367320	2	BEARING, INNER
14	71354859	1	DISC SPRING KIT
15	104486W1	1	WASHER, BACKUP
16	104485W1	1	* SEAL
17	104484W1	1	* WASHER, BACKUP
18	71367323	1	HOUSING ASSEMBLY
	353724X1	4	BOLT, HEX, 1/2-13 UNC X 1-1/2
19	71367324	1	BEARING, OUTER
20	104483W1	1	* SEAL
21	104473W91	1	CLUTCH HOUSING ASSEMBLY (INCLUDES 2-ITEM 30 & 1-ITEM 31)
22	104468W1	1	DRIVE GEAR, SPLINED
23	103732W1	2	WASHER, THRUST
24	71354855	1	BEARING, THRUST
25	71354861	1	SEAL, DIRT AND WATER
26	71354865	1	RING, RETAINING
27	71354863	1	SHAFT, DRIVE
28	103736W1	1	WASHER, THRUST
29	103737W1	2	CONE, BEARING
30	105733W1	2	CUP, BEARING
31	103738W1	1	RING, RETAINING
32	355547X1	1	PLUG, PIPE
-	700709503	AR	KIT, SEAL (INCL * ITEMS 3,4,16,17,20)

MC00006
PR: 166

REVERSER MOTOR
CLUTCH HOUSING & SHAFT ASSEMBLY
(EFF. S/N HP36101)



9790 COMBINE
FEEDER

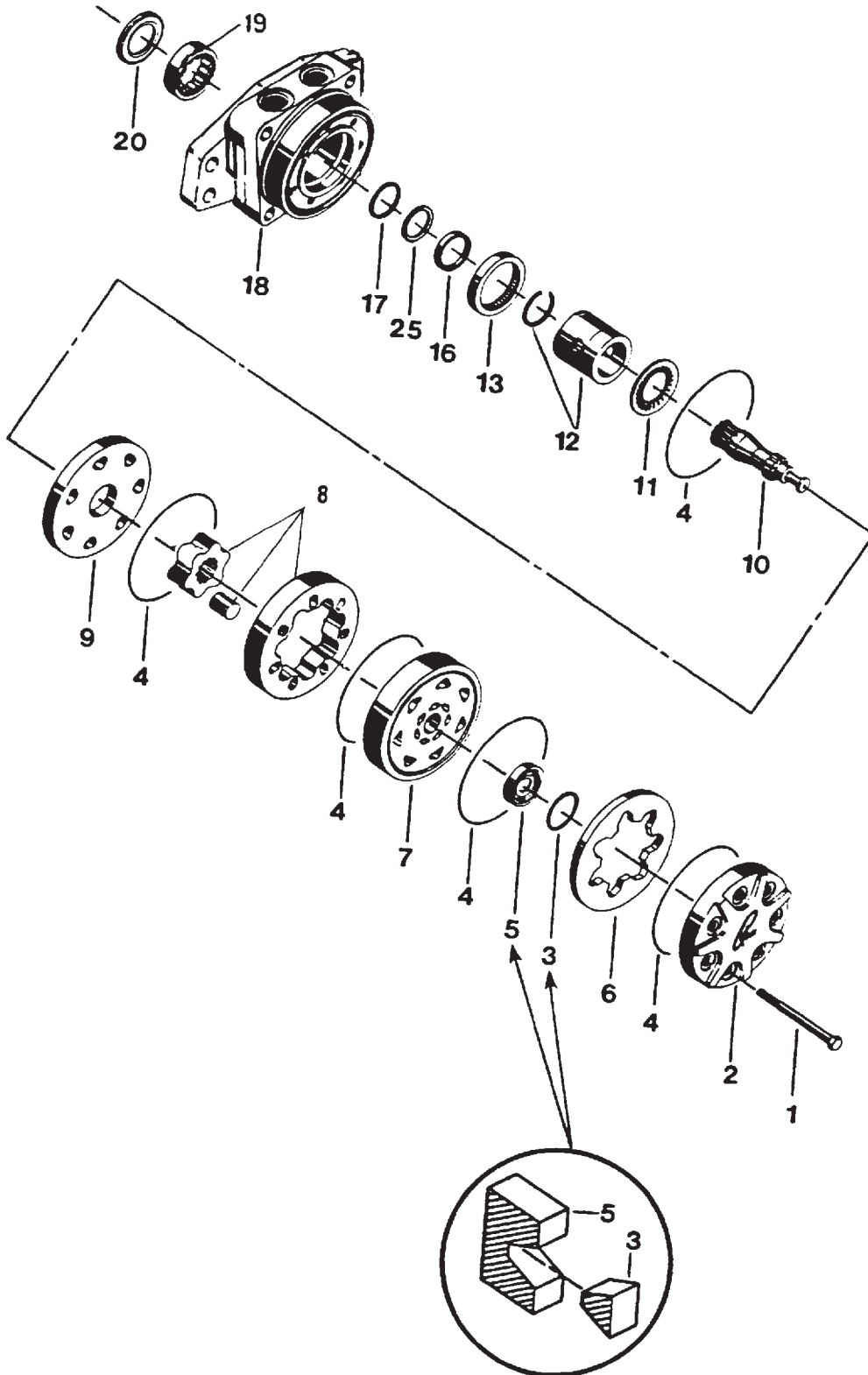
311

REVERSER MOTOR
CLUTCH HOUSING & SHAFT ASSEMBLY
(EFF. S/N HP36101)

ITEM	NUMBER	QTY	DESCRIPTION
-	71362941	AR	MOTOR ASY, FEEDER REVERSER(INCL. CLUTCH)
	70923154	4	CAPSCREW, 1/2-13 X 1-1/2
1	71367529	1	HOUSING ASY. (INCL. ITEMS 2, 5-10)
2	70327997	2	CUP, BEARING
3	71354859	5	DISC SPRING
4	104468W1	1	DRIVE, SPLINE
5	71355001	1	RING, SNAP
6	71354861	1	SEAL, DIRT/WATER
7	71354863	1	SHAFT, DRIVE
8	70327382	2	CONE, BEARING
9	71354864	1	WASHER, THRUST
10	71354865	1	RING, SNAP
11	70901651	1	PLUG, PIPE, 1/8 NPT
12	71354856	2	WASHER, THRUST
13	71354855	1	BEARING, THRUST
14	-----	--	MOTOR TORQUE (SEE FEED REVERSER - TORQUE MOTOR FOR COMPONENTS)

GC00123
PR: t05b08m42d0015

REVERSER MOTOR
TORQUE MOTOR ASY.
(EFF. S/N HP36101)



9790 COMBINE
FEEDER

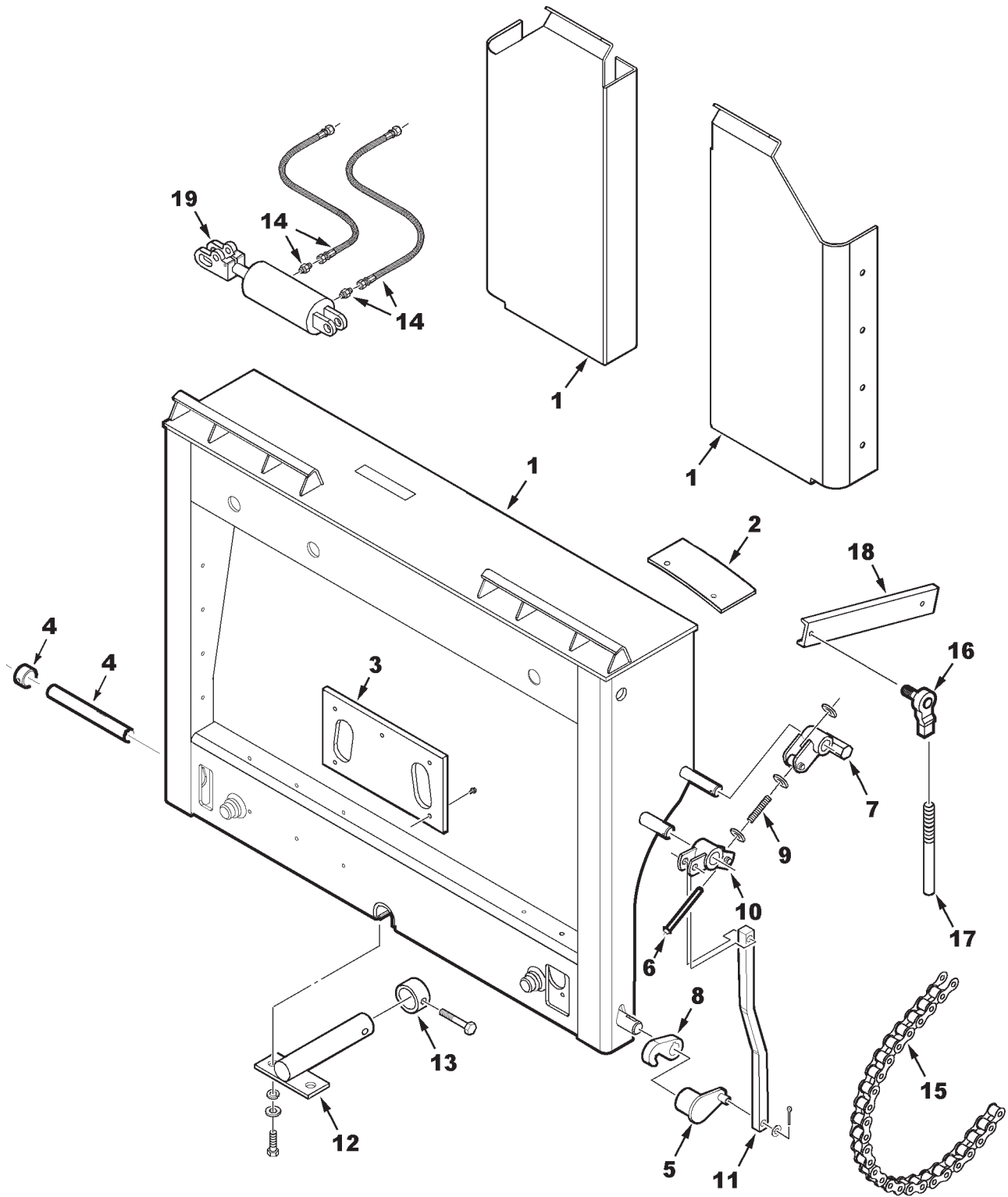
313

REVERSER MOTOR
TORQUE MOTOR ASY.
(EFF. S/N HP36101)

ITEM	NUMBER	QTY	DESCRIPTION
-	71362941	AR	MOTOR ASY, FEEDER REVERSER(INCL. CLUTCH)
1	71367308	7	BOLT, SPECIAL
2	71367309	1	COVER, END
3	-----	1	RING, BONDEN (ORDER SEAL KIT #71367307)
4	-----	5	SEAL RING (ORDER SEAL KIT)
5	71367312	1	COMMUTATOR ASY. (INCL. ITEM 6)
6	-----	1	RING, COMMUTATOR (ORDER COMMUTATOR ASY.)
7	104479W1	1	MANIFOLD
8	71367314	1	ROTOR ASY.
9	104476W1	1	PLATE, WEAR
10	71367316	1	LINK, DRIVE
11	71367317	1	BEARING, THRUST
12	71367528	1	COUPLING ASY. (INCL. RETAINING RING)
13	71367320	1	BEARING
16	-----	1	SEAL, SHAFT (ORDER SEAL KIT)
17	-----	1	RING, BACK-UP (ORDER SEAL KIT)
18	71367323	1	HOUSING ASY.
19	71367324	1	BEARING
20	-----	1	SEAL (ORDER SEAL KIT)
25	71367526	1	WASHER
-	700709503	1	KIT, SEAL (INCL ITEMS 3, 4, 16, 17 & 20)

GC00124
PR: t05b08m42d0016

HOUSING



**9790 COMBINE
LATERAL TILT**

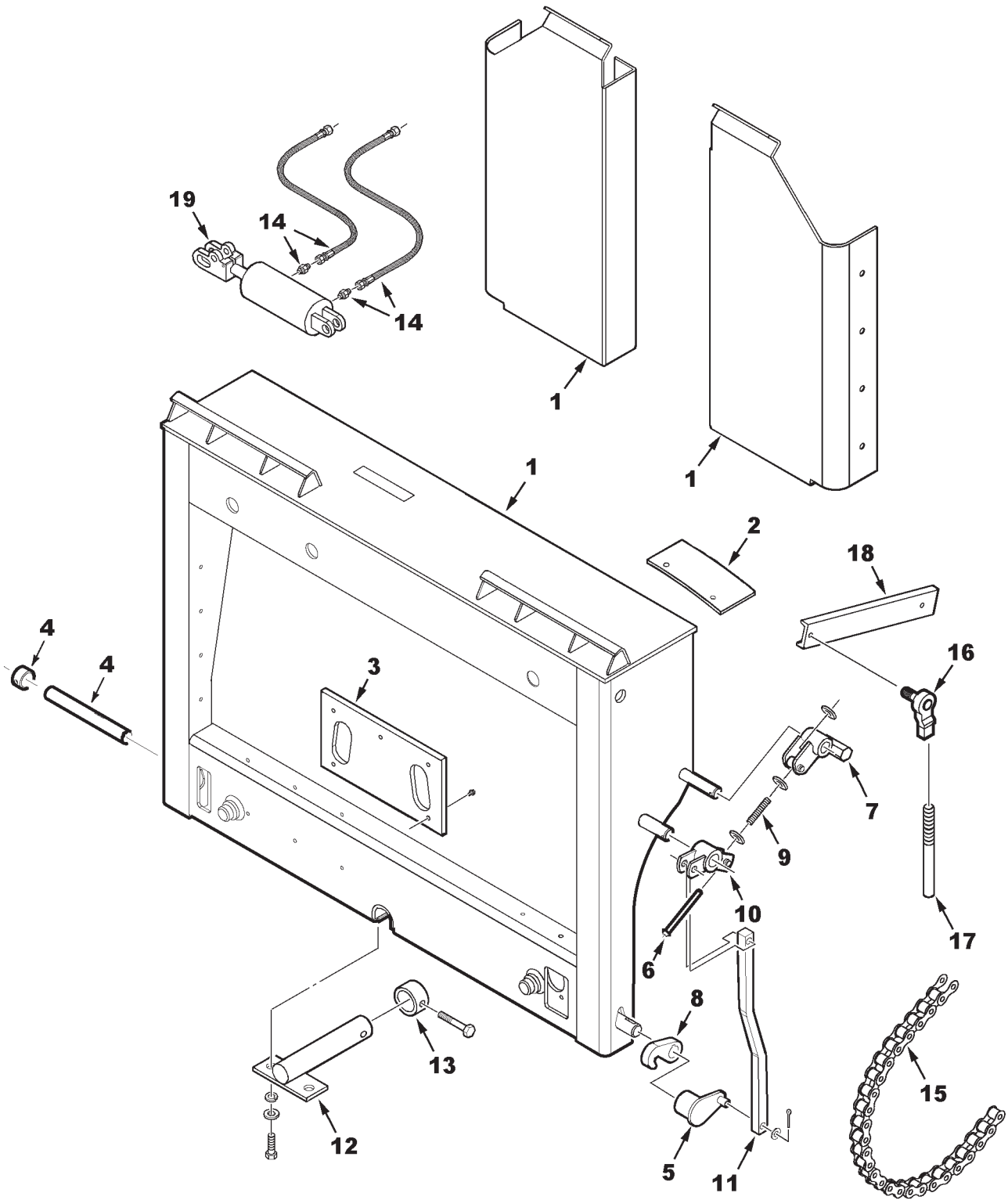
**315
HOUSING**

ITEM	NUMBER	QTY	DESCRIPTION
1	71401307B	1	FRAME WLDMT, HDR
	71394222	1	PANEL, FILLER (RH)
	71394223	1	PANEL, FILLER (LH)
	372729X1	4	SCR,HX WSHR HD,TAPPING,5/16-18 X 3/4
2	71374672	2	TRACK, ROLLER
	70927477	4	CAPSCREW 5/16 X 1 THD FORMING
	70917356	4	LOCKWASHER 5/16
3	71374816	2	BEARING, LOWER PLASTIC
	71335690	12	SCREW, TORX,TRUSS HD, 5/16-18 X 7/8
	79021665	AR	LOCTITE #271
	79021676	AR	LOCTITE PRIMER
4	71374796	1	SHAFT, LATCH PIVOT
	375028X1	1	COLLAR, LOCK W/SETSCREW
5	71375564	1	CRANK ASSEMBLY, HOOK
	70905126	1	KEY, WOODRUFF #808, 1/4 X 1" DIA
	70921263	1	SETSCREW, SKT HD, 5/16-18 X 3/8
6	71314842	1	SHAFT ASSEMBLY, SPRING
	70918111	1	PIN, SPRING 1/8 X 1
	70918266	3	WASHER, 3/8 NARR(A/R TO ADJUST SPRG)
7	71375556	1	CRANK ASSEMBLY, LATCH
	62232	1	COTTER PIN, 3/16 X 1-1/4
	70919391	1	WASHER, .906 X 1.5 X #12GA.
8	71317841	2	HOOK
	70905126	2	KEY, WOODRUFF #808, 1/4 X 1" DIA
	70903835	2	SETSCREW, SKT HD, 1/4-20 X 3/8
	71314833	1	SPRING
10	71375559	1	PIVOT ASSEMBLY
	62232	1	COTTER PIN, 3/16 X 1-1/4
	70918452	1	COTTER PIN, 1/8 X 1"
	705681	1	WASHER, 1" NARROW
	70929593	1	PIN, CLEVIS, 1/2 X 1.36 LG
11	71398477	1	ROD, LATCH
	70918452	1	COTTER PIN, 1/8 X 1"
	Y705624	1	WASHER SAE 1/2
12	71374798	1	PIN WLMT, PIVOT
	70919387	4	WASHER 41/64 X 1-1/4 X .065
	70922664	2	CAPSCREW 5/8 X 2
	70917373	2	LOCKWASHER 5/8
	13811X	1	LUBE FTG, STR, 1/4-28 TAPER THD
	79021665	AR	LOCTITE, #271
	79021648	AR	PRIMER N
13	71374674	1	COLLAR, PIN
	70923240	1	CAPSCREW 1/2 X 2-3/4
	Y704288	1	NUT, HEX CENTER LOCK, 1/2
14	71374932	2	HOSE ASSEMBLY 1/4
	70934923	2	STR CONN, 3/4-16 ORB X 7/16-20 JIC
	70921349	2	O-RING, .087 X .644 ID
	70932619	2	CLAMP, HOSE DBL. 1/2 X .406 HOLE
	3619622M1	8	TIE, PLASTIC
15	71149896	9	LINK, OFFSET, A557 (PRIOR S/N HP36101)

CONTINUED

MC00345
PR: 168

HOUSING



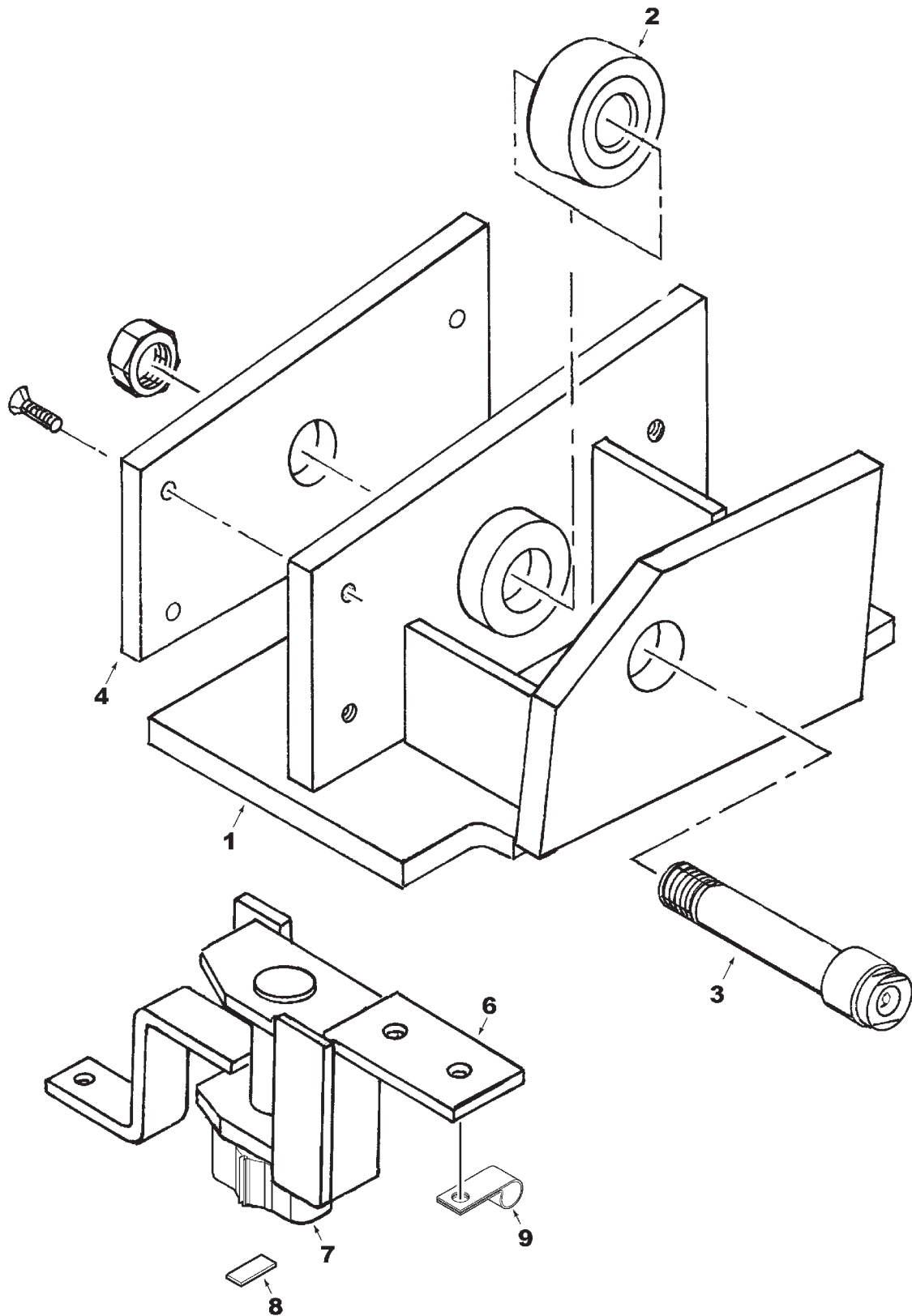
**9790 COMBINE
LATERAL TILT**

**317
HOUSING**

ITEM	NUMBER	QTY	DESCRIPTION
16	71314999	2	JOINT, BALL 1/4-28
	70914192	2	NUT, 1/4-28
	70916964	2	LOCKWASHER 1/4
17	71375122	1	ROD, CONNECTING
	70914192	2	NUT, 1/4-28
18	71389344	1	ARM, FEEDER TILT SWITCH
	70927401	1	CAPSCREW, 1/4-20 X 1"
	704007	1	NUT, 1/4-20 REG
	705012	1	LOCKWASHER, 1/4 REG
19	71398131	1	CYL. ASY, LAT TILT (SEE BREAKDOWN)
-	71399039	AR	KIT, LATERAL TILT, FIELD (ORDER THRU DEALER CENTRAL)(PRIOR S/N HP36101)
-	71406010	AR	KIT, LATERAL TILT, FIELD (ORDER THRU DEALER CENTRAL)(EFF. S/N HP36101)

MCO0345
PR: 168

ANCHORS & SENSOR



9790 COMBINE
LATERAL TILT

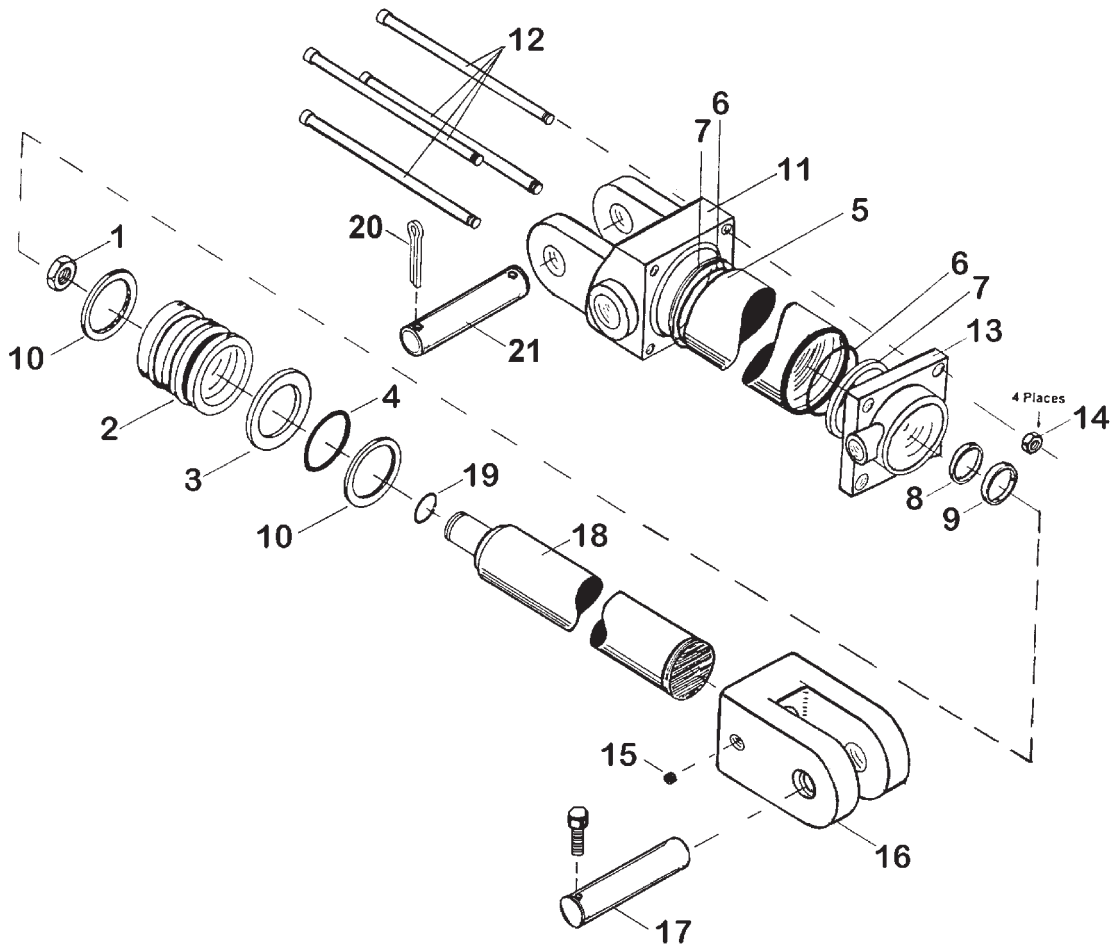
319

ANCHORS & SENSOR

ITEM	NUMBER	QTY	DESCRIPTION
1	71374666	1	ANCHOR WLDMT RH
	71374663	1	ANCHOR WLDMT LH
	70919089	10	CAPSCREW, 1/2-13 X 1-3/4 GR5
	Y705046	10	LOCKWASHER, 1/2
2	71374803	1	BEARING, ROLLER
3	71374667	1	SHAFT, ROLLER
	353436X1	1	JAM NUT, 3/4-16 UNF
	13811X	1	LUBE FTG, STR, 1/4-28 TAPER THD
4	71374670	1	BEARING, PLASTIC RH
	71374669	1	BEARING, PLASTIC LH
	70935275	6	SCREW, FLAT HD HEX SKT, 5/16-18 X 1
	79021665	AR	LOCTITE #271
	79021676	AR	LOCTITE PRIMER
6	71414225	1	SENSOR ACTUATOR WLDMT
	70924856	2	SCREW, HEX HD, TAPPG, 5/16-18 X 1/2
7	71376825	1	POSITION SENSOR, 5K POT.
	70918151	2	SCREW, TRUSS HD, #10-32 X 1-1/4
8	71382607	1	TAB, DRIVE
9	70927134	1	J-CLIP, 5/8 DIA X .406 HOLE

MC00354
PR: 170

HYDRAULIC CYLINDER
(PRIOR S/N HN36101)



9790 COMBINE
LATERAL TILT

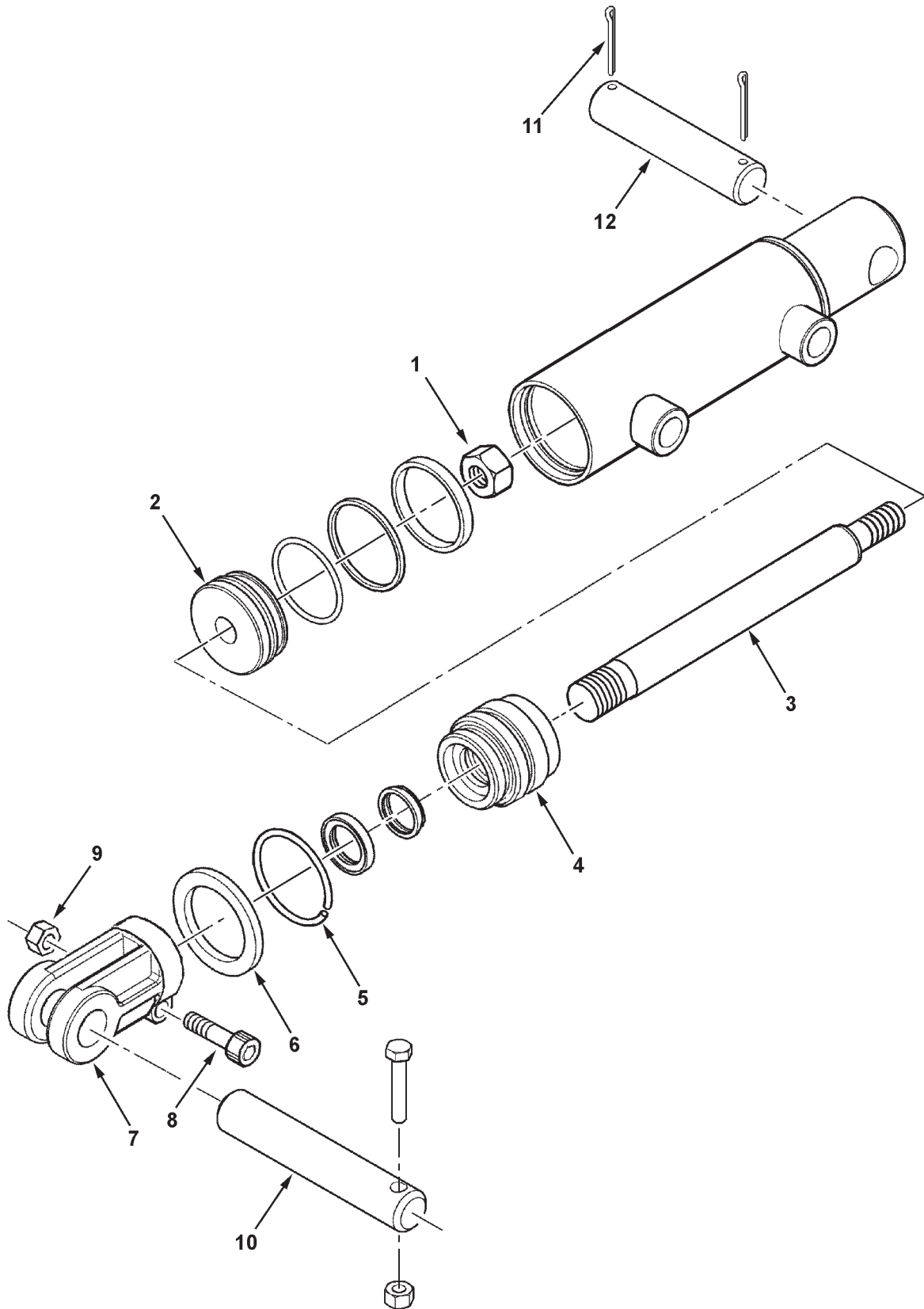
321

HYDRAULIC CYLINDER
(PRIOR S/N HN36101)

ITEM	NUMBER	QTY	DESCRIPTION
-	71374671	1	CYL. ASY, HYDR (INCL. ITEMS 1-16,18,19)
1	70921343	1	NUT, LOCK
2	71374776	1	PISTON
3	-----	1	*SEAL, PISTON
4	-----	1	*O-RING
5	71376907	1	CASE
6	-----	2	*O-RING
7	-----	2	*BACKUP
8	-----	1	*U-CUP
9	-----	1	*WIPER
10	71374778	2	RING, WEAR
11	71374779	1	BASE, CYLINDER
12	71376908	4	ROD, TIE
13	71374781	1	HEAD, CYLINDER
14	70918213	4	NUT, 7/16-14
15	70914383	1	SETSCREW, 3/8-16 X 1/2
16	71374782	1	CLEVIS, CYLINDER
17	71374808	2	PIN, CYLINDER CLEVIS
	70922127	1	CAPSCREW, 5/16-18 X 1-3/4 GR5
	70923362	1	NUT, CENTER LOCK, 5/16-18
18	71376909	1	SHAFT, CYLINDER
19	-----	1	*O-RING
20	70920117	2	PIN, COTTER, 5/32 X 1-1/2
21	71374807	1	PIN, CYLINDER BASE
-	71373962	AR	SEAL KIT (INCLUDES * ITEMS)

71374671
PR: 172

HYDRAULIC CYLINDER
(EFF. S/N HN36101)



9790 COMBINE
LATERAL TILT

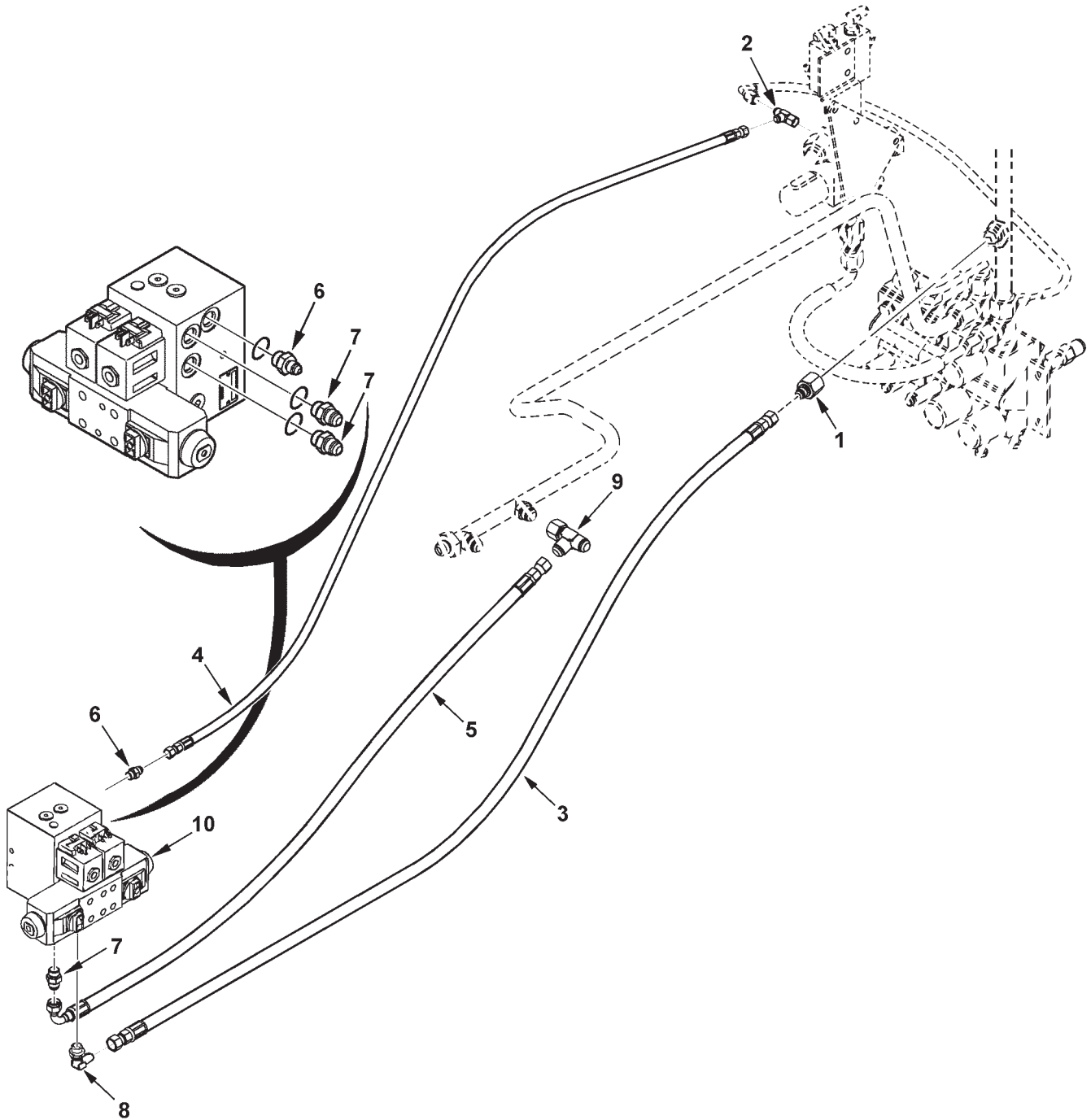
323

HYDRAULIC CYLINDER
(EFF. S/N HN36101)

ITEM	NUMBER	QTY	DESCRIPTION
-	71398131	1	CYL. ASY, LAT TILT (INCL. ITEMS 1 THRU 9)
1	79001879	1	NUT, PISTON
2	1R61628	1	PISTON
3	700729237	1	ROD
4	700729235	1	HEAD, ROD BEARING
5	1064661M1	1	RETAINING RING
6	1064659M1	1	NUT, HEAD RETAINER
7	700729234	1	CLEVIS ASY, ROD END (INCL SCR & NUT)
8	70917467	1	CAPSCREW, SOCK HD, 3/8-16 X 1-3/4
9	70916950	1	NUT, 3/8-16 REG
-	700729238	AR	SEAL KIT
10	71374808	1	PIN, CYLINDER CLEVIS
	70922127	1	CAPSCREW, 5/16-18 X 1-3/4 GR5
	70923362	1	NUT, CENTER LOCK, 5/16-18
11	70920117	2	PIN, COTTER, 5/32 X 1-1/2
12	71374807	1	PIN, CYLINDER BASE

GC00511
PR: 71398131-02-11

HYDRAULICS



9790 COMBINE
LATERAL TILT

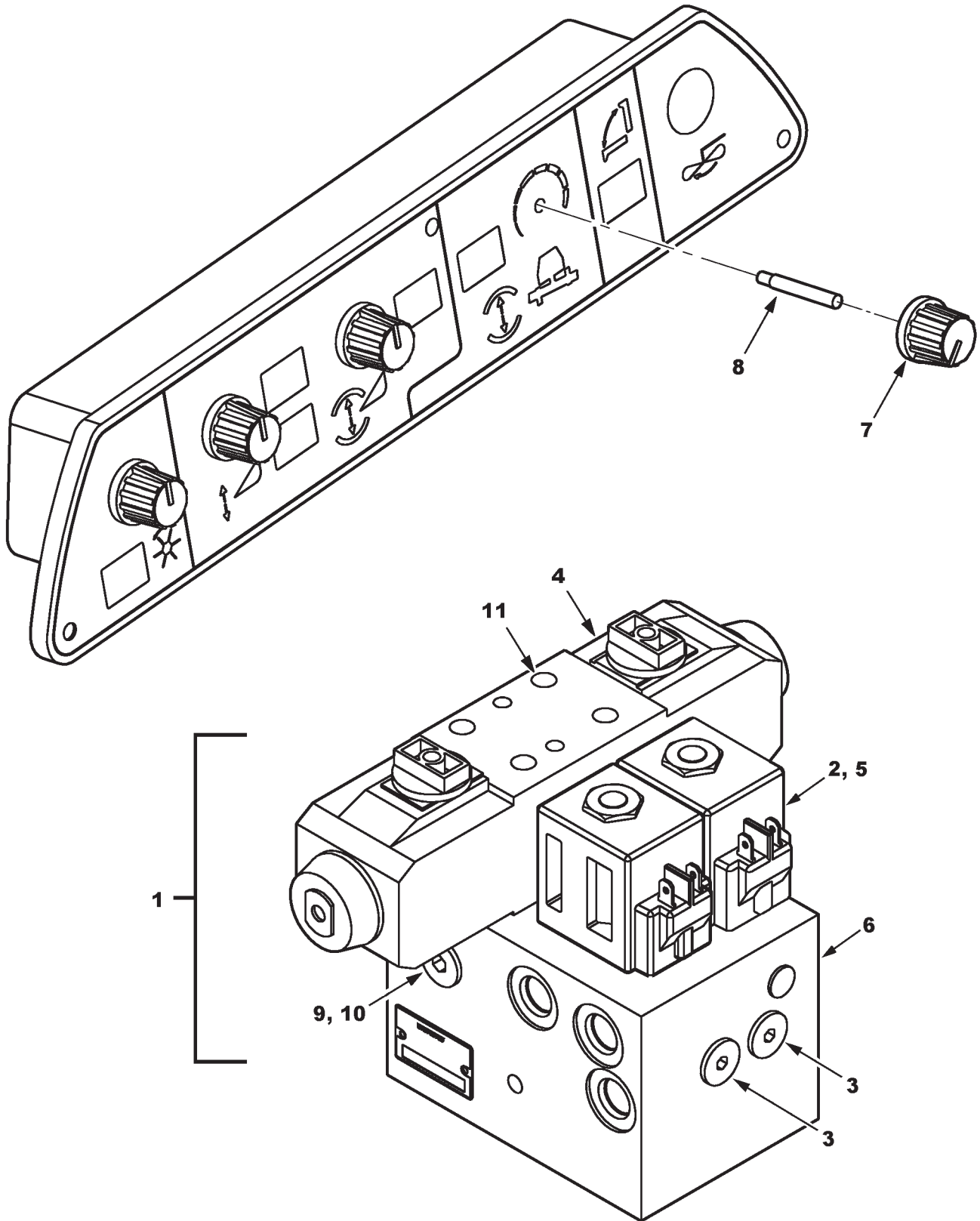
325

HYDRAULICS

ITEM	NUMBER	QTY	DESCRIPTION
1	70926768	1	REDUCER FTG, 9/16-18 JIC X 3/4-16 JIC
2	700701355	1	TEE, SWIV RUN, 7/16-20 JIC
3	700716462	1	HOSE ASY, 3/8 ID
4	71394169	1	HOSE ASY, 1/4 ID
	70937133	1	TIE, NYLON, .30 X 14.5"
5	71394170	1	HOSE ASY, 3/8 ID
6	70926292	1	CONN, STR, 7/16-20 JIC X 9/16-18 ORB
	70921885	1	O-RING, .078 X .468 ID
7	846634	3	CONN, STR, 9/16-18 JIC X 9/16-18 ORB
	70921885	3	O-RING, .078 X .468 ID
8	70922523	1	ELBOW, 90 DEG, 9/16-18 ADJ ORB X JIC
	70921885	1	O-RING, .078 X .468 ID
9	70921298	1	TEE, SWIV RUN, 3/4-16 JIC
10	71409176	1	VALVE ASY, LATERAL TILT (SEE BREAKDOWN)
	70916965	2	LOCKWASHER, 3/8 REG
	70921210	2	CAPSCREW, 3/8-16 X 1" GR5

MCO0355
PR: 174

VALVE & CONTROL



9790 COMBINE
LATERAL TILT

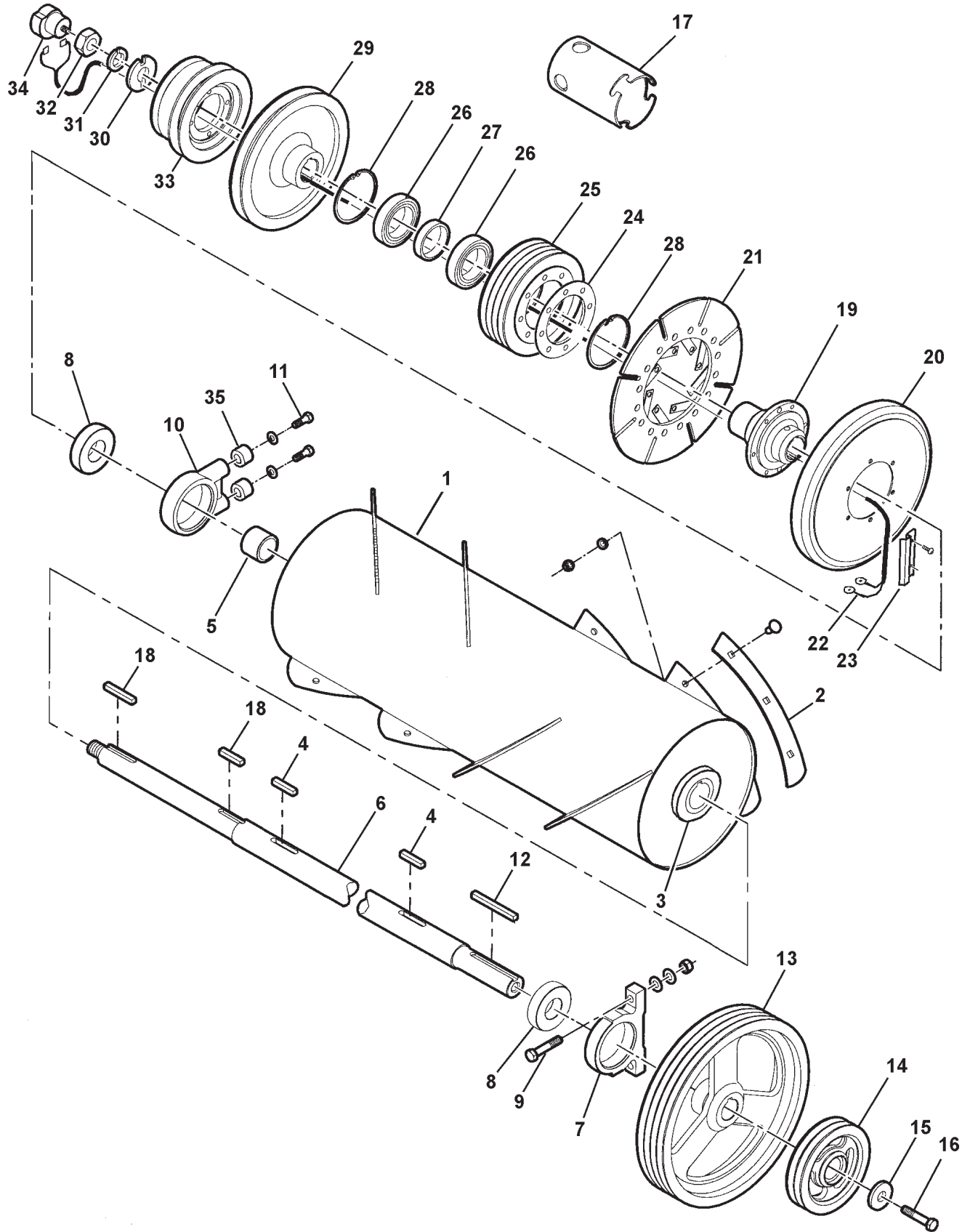
327

VALVE & CONTROL

ITEM	NUMBER	QTY	DESCRIPTION
1	71391659	1	VALVE ASY, LATERAL TILT (INCL ITEMS 2-6, 9,10,11)(SERVICED W/ 71409176)
	71409176	1	VALVE ASY, LATERAL TILT (INCL ITEMS 2-6, 9,10,11)(EFF. HP36--- MID-RUN)
2	71398983	2	SOLENOID VALVE ASY
	71398984	2	CARTRIDGE
	71398985	2	COIL
	700706151	2	NUT, COIL
	700715662	AR	KIT, SEAL
3	71398993	2	KIT, SENSE CHECK
4	71398994	1	VALVE ASY, DIRECTIONAL CONTROL
	71398995	2	COIL
	700718869	2	NUT, COIL
	71386129	AR	KIT, SEAL
5	71398988	2	PISTON, PILOT
	71398989	AR	KIT, SEAL
6	-----	1	MANIFOLD (NOT SERVICED)
7	108664W1	1	KNOB, POINTER
8	71394716	1	SHAFT, CONTROL
9	71398134	1	PLUG, HEX SOCKET, SAE ORB
10	71398136	1	ORIFICE PLUG, .053 DIA (USED W/ VALVE ASY, 71391659)
	700713516	1	ORIFICE PLUG, .040 DIA (USED W/ VALVE ASY, 71409176)
11	700714189	1	KIT, BOLT

MC00356
PR: 176

FRONT BEATER



**9790 COMBINE
PROCESSOR**

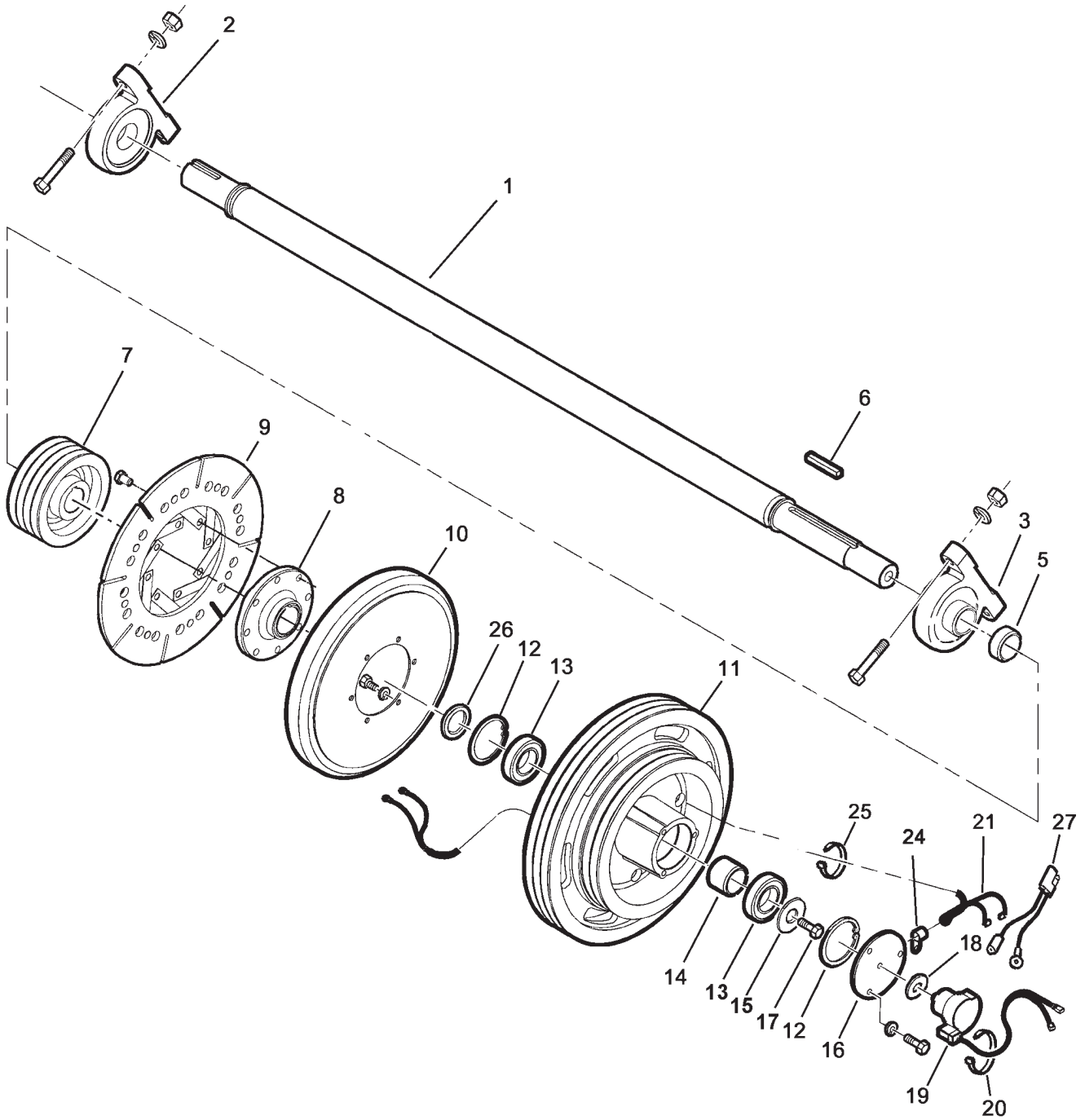
329

FRONT BEATER

ITEM	NUMBER	QTY	DESCRIPTION
1	71401416	1	BEATER DRUM ASY (BALANCED)(INCL. ITEM 2)
2	71393101	12	FLIGHT, WEAR
	68619	36	BOLT, RD HD SQ NK, 1/2-13 X 1-1/4
	Y705046	36	LOCKWASHER, 1/2 REG
	704031	36	NUT, 1/2-13 REG
3	101078M1	2	SEAL, BEATER
4	Y61879	2	KEY, SQ, 1/2 X 2-1/2
5	112685W1	1	SPACER, SLEEVE
6	71390575	1	SHAFT, BEATER
7	1706380W1	1	HOUSING, BEARING
8	71154722	2	BEARING
9	70929018	2	CAPSCREW, 5/8-11 X 3-1/4 GR8
	70937005	4	WASHER, HARD, .656 X 1.31 X 9GA
	W915795-4	2	LOCKNUT, HX TOP, 5/8-11
10	2445360W1	1	HOUSING, BEARING (PRIOR S/N HN36101)
	71401419	1	HOUSING, BEARING (EFF. S/N HN36101)
11	8701708	2	CAPSCREW, 1/2-13 X 1-1/4 GR8 (PRIOR S/N HN36101)
	353773X1	2	WASHER, HVY, HARD, 1/2
	70922664	2	CAPSCREW, 5/8-11 X 2 GR5 (EFF. S/N HN36101)
	70917373	2	LOCKWASHER, 5/8
12	2620180W1	1	KEY, HARD, SQ, 1/2 X 5
13	71388202	1	SHEAVE, BEATER DRIVE
14	2620130W1	1	SHEAVE, PITMAN DRIVE
15	104751W1	1	WASHER, .781 X 2.50 X .375
16	70921169	1	CAPSCREW, 3/4-16 X 1-1/2 GR8
17	104500W1	1	TUBE, REVERSER TOOL
18	2588510W1	2	KEY, CLUTCH HUB, 1/2 SQ X 3.62
19	71391220	1	HUB, MAGNETIC CLUTCH
20	71335195	1	MAGNET ASY, CLUTCH
	70916965	6	LOCKWASHER, 3/8 REG
	70921210	6	CAPSCREW, 3/8-16 X 1" GR5
21	71365064	1	ARMATURE ASY
	Y705046	8	LOCKWASHER, 1/2 REG
	70923114	8	CAPSCREW, 1/2-13 X 1" GR5
22	71391219	1	WIRE ASY, CLUTCH
23	71393220	1	DUCT, WIRE
	703082	1	SCREW, HEX HD TAPPING, #8-32 X 3/8
24	71397222	AR	SHIM, ARMATURE, .060 TH
	71400661	AR	SHIM, ARMATURE, .035 TH
25	71391221	1	SHEAVE, FDR DR. 4-GRV(PRIOR S/N HP36101)
	71398357	1	SHEAVE, FDR DR. 2-GRV (EFF. S/N HP36101)
26	71195913	2	BEARING, BALL
27	71391225	1	SPACER, BEARING
28	70933375	2	RING, RETAINING, INT
29	71394353	1	SHEAVE, DR, VARI SPEED FAN
30	71391224	1	WASHER, SPL, 3/8 THK
31	70912299	1	WASHER, 1-1/4 NARROW
32	70923230	1	NUT, JAM, 1-1/4-12 GR2
33	71394354	1	SHEAVE, DRIVE, RETURN ELEV
	70916965	4	LOCKWASHER, 3/8 REG
	70921210	4	CAPSCREW, 3/8-16 X 1" GR5
34	71314321	1	BRUSHHOLDER ASY
	70925094	1	TIE, NYLON, .172 X 7.3
35	368615X1	2	SPACER, .66 LG (EFF. S/N HN36101)

MC00286
PR: 178

MAIN COUNTERSHAFT



9790 COMBINE
PROCESSOR

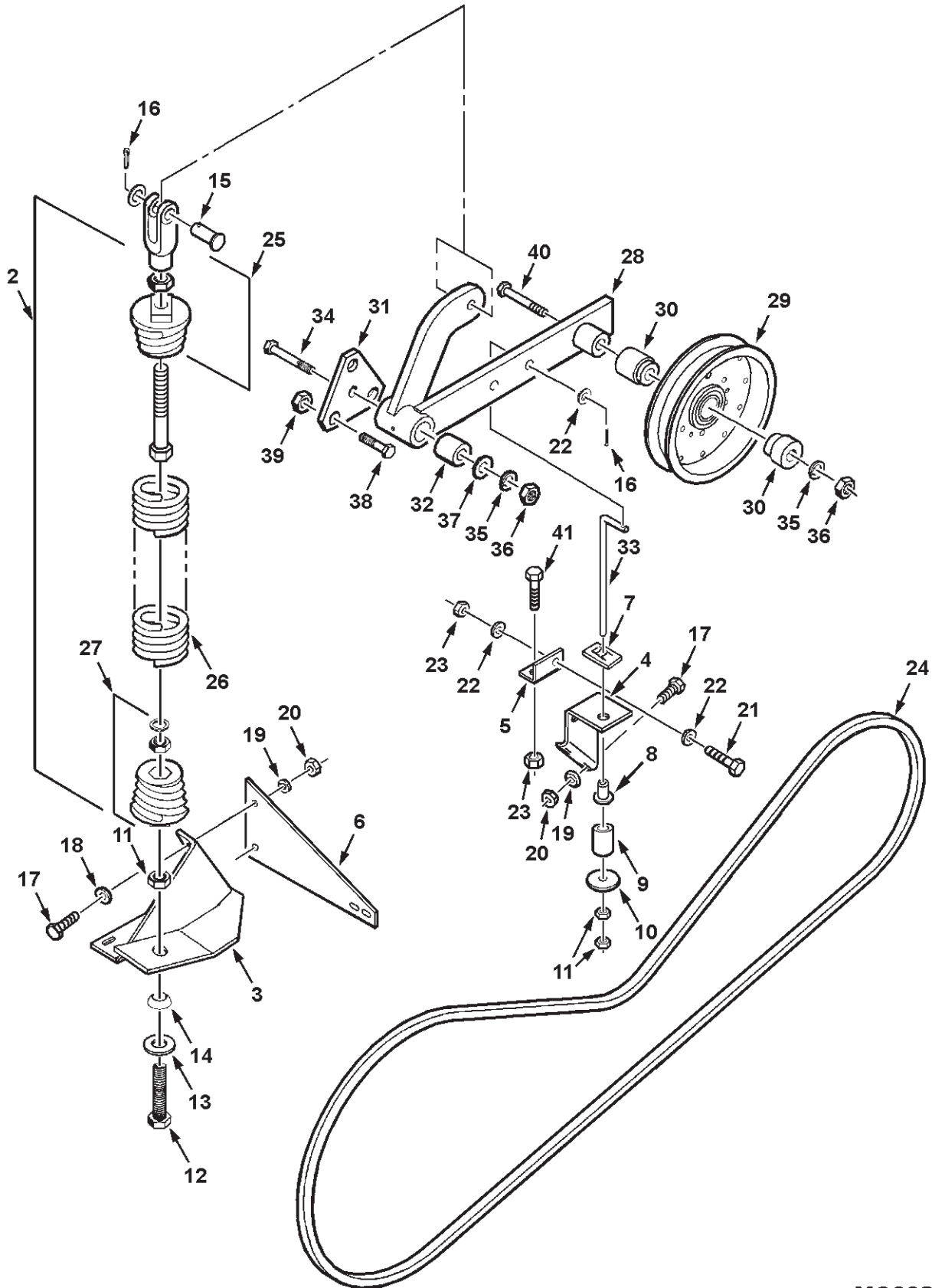
331

MAIN COUNTERSHAFT

ITEM	NUMBER	QTY	DESCRIPTION
1	71387517	1	COUNTERSHAFT, MAIN
2	1706393W91	1	BEARING & HOUSING ASY
	1706380W1	1	HOUSING, BEARING
	71154722	1	BEARING
	70921360	2	CAPSCREW, 5/8-11 X 2-1/4 GR5
	70918268	2	WASHER, 5/8 NARROW
	700703922	2	NUT, HEX FLG TOP LOCK, 5/8-11 GR G
3	71388206	1	BEARING & HOUSING ASY
	1706380W1	1	HOUSING, BEARING
	71365065	1	BEARING
	70921360	2	CAPSCREW, 5/8-11 X 2-1/4 GR5
	70918268	2	WASHER, 5/8 NARROW
	700703922	2	NUT, HEX FLG TOP LOCK, 5/8-11 GR G
5	-----	-	SPACER, SHEAVE (9690 ONLY)
6	2620180W1	1	KEY, HARD. 1/2 SQ. X 5.0
7	71387523	1	SHEAVE, BEATER DRIVE
8	71390223	1	HUB, CLUTCH ARMATURE
9	71365064	1	ARMATURE ASY.
	70926115	8	CAPSCREW, 1/2-13 X 3/4 GR5
	Y705046	8	LOCKWASHER, 1/2, REG
10	71335195	1	MAGNET ASY.
	70920415	6	CAPSCREW, 3/8-16 X 1-1/4 GR5
	70916965	6	LOCKWASHER, 3/8, REG
11	71389611	1	SHEAVE, DRIVEN, COUNTERSHAFT
12	350392X1	2	RING, INTERNAL SNAP, 3-47/64 OD X 7/64
13	1138480	2	BEARING
14	2619560W1	1	SPACER, BEARING
15	104751W1	1	WASHER, 25/32 X 2-1/2 X 3/8
16	71390178	1	ADAPTOR, BRUSHHOLDER
	70921210	3	CAPSCREW, 3/8-16 X 1" GR5
	70916965	3	LOCKWASHER, 3/8, REG
17	70921169	1	CAPSCREW, 3/4-16 X 1-1/2 GR8
18	70923858	1	WASHER, FLAT, .531 X 1.25 X 7GA
19	71314321	1	BRUSHHOLDER ASY
20	70925094	1	TIE, NYLON, 7"-8" LG
21	71318052	1	WIRE ASY.
24	70925615	1	CLAMP, TUBE, .188 X .406 HOLE
25	3619622M1	1	TIE, NYLON, 14"-15" LG
26	104715W1	AR	SHIM (AS REQUIRED)
27	71394397	1	WIRE ASY. (JUMPER)

MCO0287
PR: 180

MAIN COUNTERSHAFT
DRIVE AND IDLER



9790 COMBINE
PROCESSOR

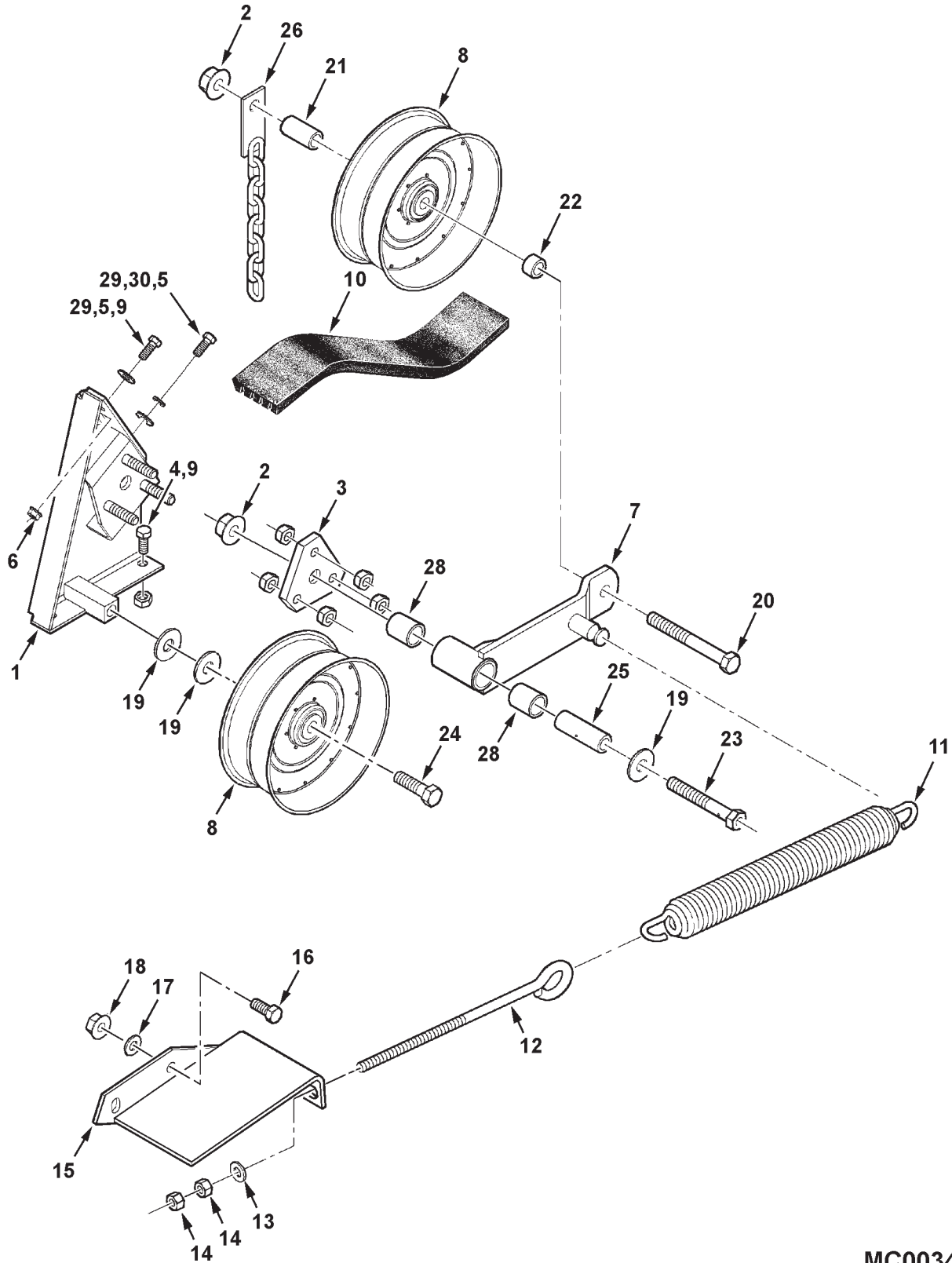
333

MAIN COUNTERSHAFT
DRIVE AND IDLER

ITEM	NUMBER	QTY	DESCRIPTION
2	71379519	1	SPRING, ASY (INCL ITEMS 25, 26, 27)
3	71390183	1	ANCHOR WLDMT, SPRING
4	71394363	1	ANCHOR WLDMT, SNUBBER
5	71394364	1	ANGLE, SUPPORT
6	71390190	1	SUPPORT, BELT GUIDE
7	71304362	1	BUSHING, NYLON
8	70924095	1	NUT, SPEED
9	71194263	1	BUSHING, RUBBER
10	70923094	1	WASHER, 17/32 X 2 X 7GA
11	704031	3	NUT, 1/2-13 REG
12	70935299	1	CAPSCREW, 1/2-13 X 12" LG
13	70918431	1	WASHER, 1/2 WIDE
14	70301781	1	WASHER, PIVOT
15	70929593	1	PIN, CLEVIS, 1/2 X 1.36
16	70918452	1	PIN, COTTER, 1/8 X 1
17	70920415	6	CAPSCREW, 3/8-16 X 1-1/4 GR5
18	70917378	4	WASHER, 3/8 WIDE
19	70916965	6	LOCKWASHER, 3/8
20	70916950	6	NUT, 3/8-16 REG
21	70921176	1	CAPSCREW, 1/2-13 X 1-1/4 GR5
22	Y705624	3	WASHER, 1/2 NARROW
23	Y704742	2	NUT, HEX FLANGE TOP LOCK, 1/2-13
24	71390188	1	BELT, MAIN C'SHAFT DRIVE
25	71379520	1	YOKE & PLUG ASY.
	70937010	1	CAPSCREW, 1/2-13 X 5 GR5
	71349813	1	PLUG, SPRING
	70913744	1	NUT, JAM 1/2-13
	70937465	1	YOKE, 1/2-13
26	71349270	1	SPRING
27	71349811	1	PLUG & NUT ASY.
28	71391529	1	ARM ASY, IDLER, MAIN C'SHAFT
	71356060	2	BUSHING
	71197117	1	SPACER
29	71309768	1	IDLER, FLAT 8"
30	71312602	2	SPACER, IDLER
31	71346267	1	PLATE, MOUNTING
32	71356061	1	SLEEVE, HARD, IDLER PIVOT
33	71330802	1	ROD, SNUBBER
34	70925703	1	BOLT, 5/8-11 X 4 GR5
35	70917373	2	LOCKWASHER, 5/8
36	70915726	2	NUT, 5/8-11 REG
37	70918432	1	WASHER, 5/8 WIDE
38	70935290	3	CAPSCREW, 3/4-10 X 3, FULL THD. GR5
39	70913160	3	NUT, 3/4-10 REG
40	70915988	1	CAPSCREW, 5/8-11 X 4-1/4 GR5
41	701235	1	CAPSCREW, 1/2-13 X 1-1/2 GR5

MC00248
PR: 182

FRONT BEATER
DRIVE BELT & IDLER



**9790 COMBINE
PROCESSOR**

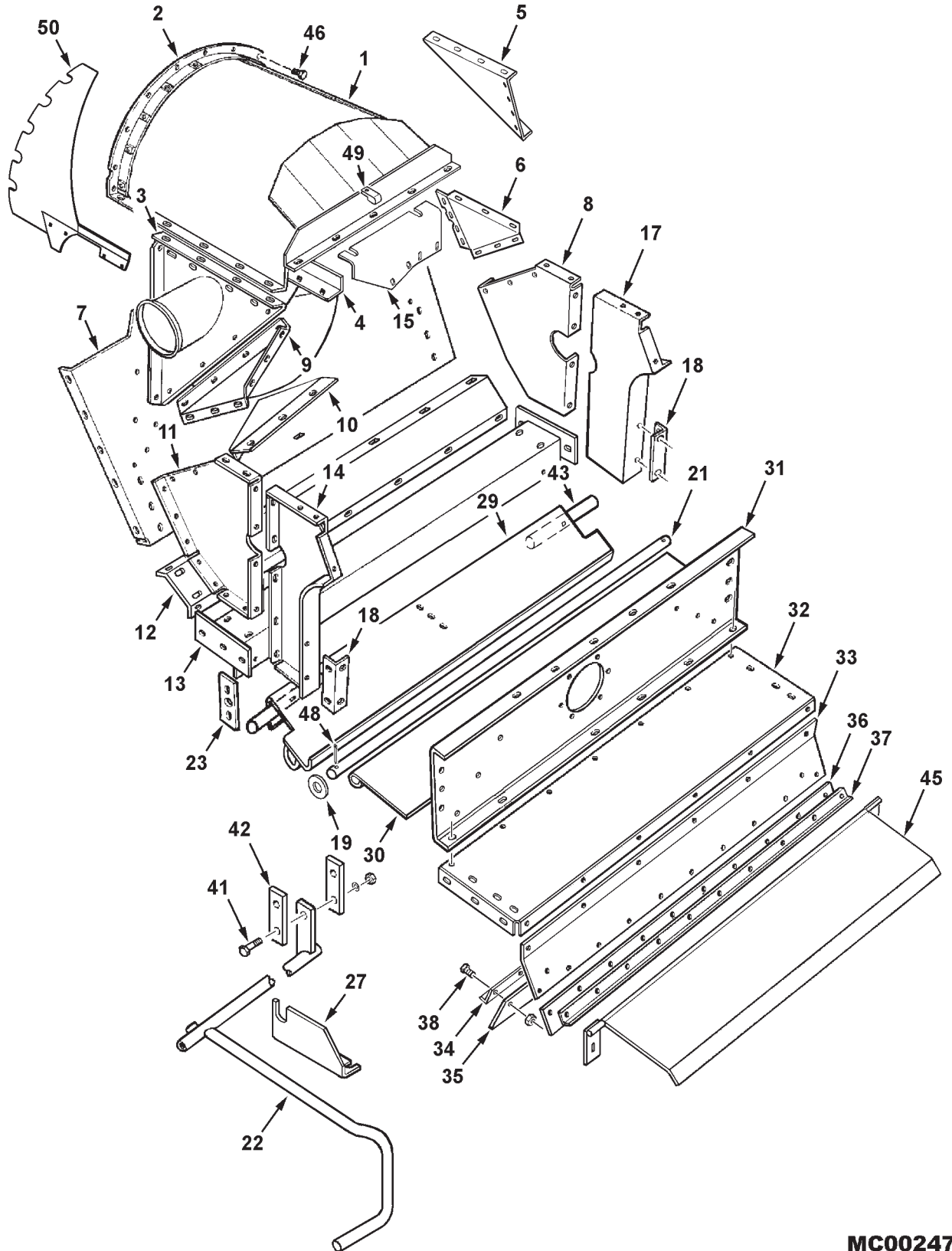
335

**FRONT BEATER
DRIVE BELT & IDLER**

ITEM	NUMBER	QTY	DESCRIPTION
1	71388209	1	BRACKET, IDLER
2	700703922	2	NUT, HEX FLANGE TOP LOCK, 5/8-11
3	71182840	1	MOUNTING PLATE
	704056	6	JAM NUT, 1/2-13 GR2
4	70920415	2	CAPSCREW, 3/8-16 X 1-1/4 GR5
5	70917378	3	WASHER, 3/8 WIDE
6	70916950	1	NUT, 3/8-16 REG
7	71388213	1	ARM ASSEMBLY (W/BUSHINGS)
8	71388217	2	IDLER PULLEY, FLAT, 8.0" DIA.
9	Y704734	3	NUT, HEX FLNG TOP LOCK, 3/8-16
10	71388216	1	BELT, KEVLAR (SEE BELTS LISTING)
11	2627000W1	1	SPRING, 45-1/2 COILS, 17-1/4 FREE LENGTH
12	2626120W1	1	ROD, PULL, 12.63" LG
13	70301781	1	WASHER, SPHERICAL
14	704031	2	NUT, 1/2-13 REG
15	71388207	1	BRACKET ASSEMBLY, ANCHOR
16	70921176	2	CAPSCREW, 1/2-13 X 1-1/4 GR5
17	70918431	1	WASHER, PLAIN, 1/2 WIDE
18	Y704742	2	NUT, HEX FLNG TOP LOCK, 1/2-13
19	70918432	3	WASHER, PLAIN, 5/8 WIDE
20	70925706	1	BOLT, HEX, 5/8-11 UNC X 5-1/2
21	71388212	1	SPACER, IDLER
22	71181443	1	SPACER, IDLER
23	2636170W1	1	BOLT, IDLER PIVOT, 5/8-11
24	70921360	1	CAPSCREW, 5/8-11 X 2-1/4 GR5
25	2636210W1	1	SLEEVE, PIVOT
26	105086W91	1	CHAIN ASSEMBLY, IDLER STOP
	70921969	1	CAPSCREW, 3/8-16 X 1-1/2 GR5
	70917378	1	WASHER, 3/8 WIDE
	70917642	4	WASHER, 5/16 WIDE
	Y704734	1	NUT, HEX FLANGE TOP LOCK, 3/8-16
28	1689170W1	2	BUSHING, 1.25 OD X .750 LG
29	70921210	2	CAPSCREW, 3/8-16 X 1 GR5
30	70916965	1	LOCKWASHER, 3/8

MCO0348
PR: 184

INLET HOUSING AND STONE TRAP



**9790 COMBINE
PROCESSOR**

337

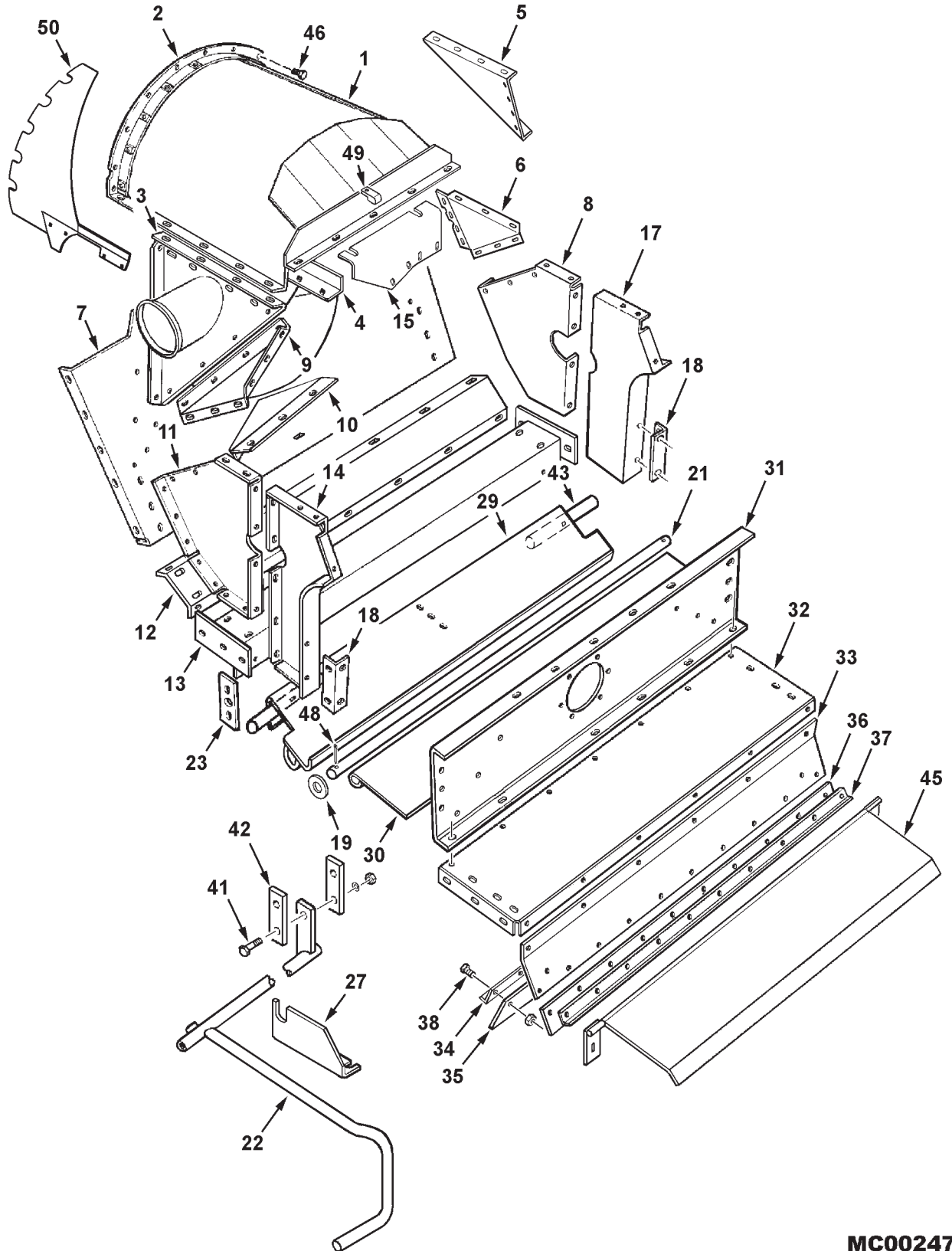
INLET HOUSING AND STONE TRAP

ITEM	NUMBER	QTY	DESCRIPTION
1	71409987	1	TOP COVER WLMT, INLET HOUSING
	700720958	9	SCR,BUTTON HD,RECESS SOCK,3/8-16 X 1
	70921965	8	CAPSCREW, 3/8-16 X 3/4 GR5
	70921966	4	CAPSCREW, 3/8-16 X 7/8 GR5
	70917378	12	WASHER, 3/8, WIDE
	Y704734	12	NUT, HEX FLANGE TOP LOCK, 3/8-16
2	2612961W91	1	ANGLE WLMT, INLET HOUSING
	70920787	10	CAPSCREW, 5/16-18 X 1/2 GR5
3	71387580	1	PLATE WLMT, RETURN TUBE
4	71410576	1	WEAR PLATE, RETURN INLET
	70931348	4	BOLT, RD HD SHT SQ NK, 3/8-16 X 3/4
	Y704734	4	NUT, HEX FLANGE TOP LOCK, 3/8-16
5	71387578	1	PLATE, LEFT REAR
6	71387576	1	PLATE, LEFT FRONT
7	71409996	1	FEED PLATE WLMT
	70921210	8	CAPSCREW, 3/8-16 X 1
	Y704734	8	NUT, HEX FLANGE TOP LOCK, 3/8-16
	70923325	11	CAPSCREW, 5/16-18 X 7/8 GR5
	Y704726	11	NUT, HEX FLANGE TOP LOCK, 5/16-18
8	2612880W1	1	SIDE SHEET, INLET HSG, LH
9	71387577	1	PLATE, RIGHT
10	71387584	1	PLATE, DEFLECTOR
	70714	7	SCREW,PHILIPS TRUSS HD, 3/8-16 X 7/8
	70917378	AR	WASHER, 3/8 WIDE
	70916965	AR	LOCKWASHER, 3/8
	70916950	17	NUT, 3/8-16 REG
11	2612870W1	1	SIDE SHEET, INLET HSG, RH
12	71409970	1	PANEL WLMT, FLOOR, GR./CORN/ SOYBEAN
	71409280	1	PANEL WLMT, FLOOR, RICE
	70921965	19	CAPSCREW, 3/8-16 X 3/4 GR5
	70921210	9	CAPSCREW, 3/8-16 X 1 GR5
	70917378	9	WASHER, 3/8 WIDE
	705038	9	LOCKWASHER, 3/8
	Y704734	19	NUT, HEX FLANGE TOP LOCK, 3/8-16
13	71411435	1	CHANNEL WLMT
	70921176	6	CAPSCREW, 1/2-13 X 1-1/4 GR5
	Y704742	6	NUT, HEX FLANGE TOP LOCK, 1/2-13
14	2531671W91	1	PANEL WLMT, RIGHT FRONT
15	-----	1	BRKT, SENSOR(S/S BY 71401326)(SEE ROTOR)
17	2531681W91	1	PANEL WLMT, LEFT FRONT
18	2488980W1	2	SUPPORT, ANGLE
	70921210	7	CAPSCREW, 3/8-16 X 1
	70921969	1	CAPSCREW, 3/8-16 X 1-1/2 GR5
	70917378	8	WASHER, 3/8, WIDE
	Y704734	8	NUT, HEX FLANGE TOP LOCK, 3/8-16
19	70922658	2	WASHER, 1", WIDE
21	71387454	1	SHAFT, FEED PLATE
22	71391763	1	HANDLE WLMT, STONE TRAP
23	2522600W1	2	PLATE, ADJUSTABLE
	70920328	4	CAPSCREW, 1/2-13 X 1-1/2 GR5
	Y704742	4	NUT, HEX FLANGE TOP LOCK, 1/2-13

CONTINUED

MC00247
PR: 186

INLET HOUSING AND STONE TRAP



**9790 COMBINE
PROCESSOR**

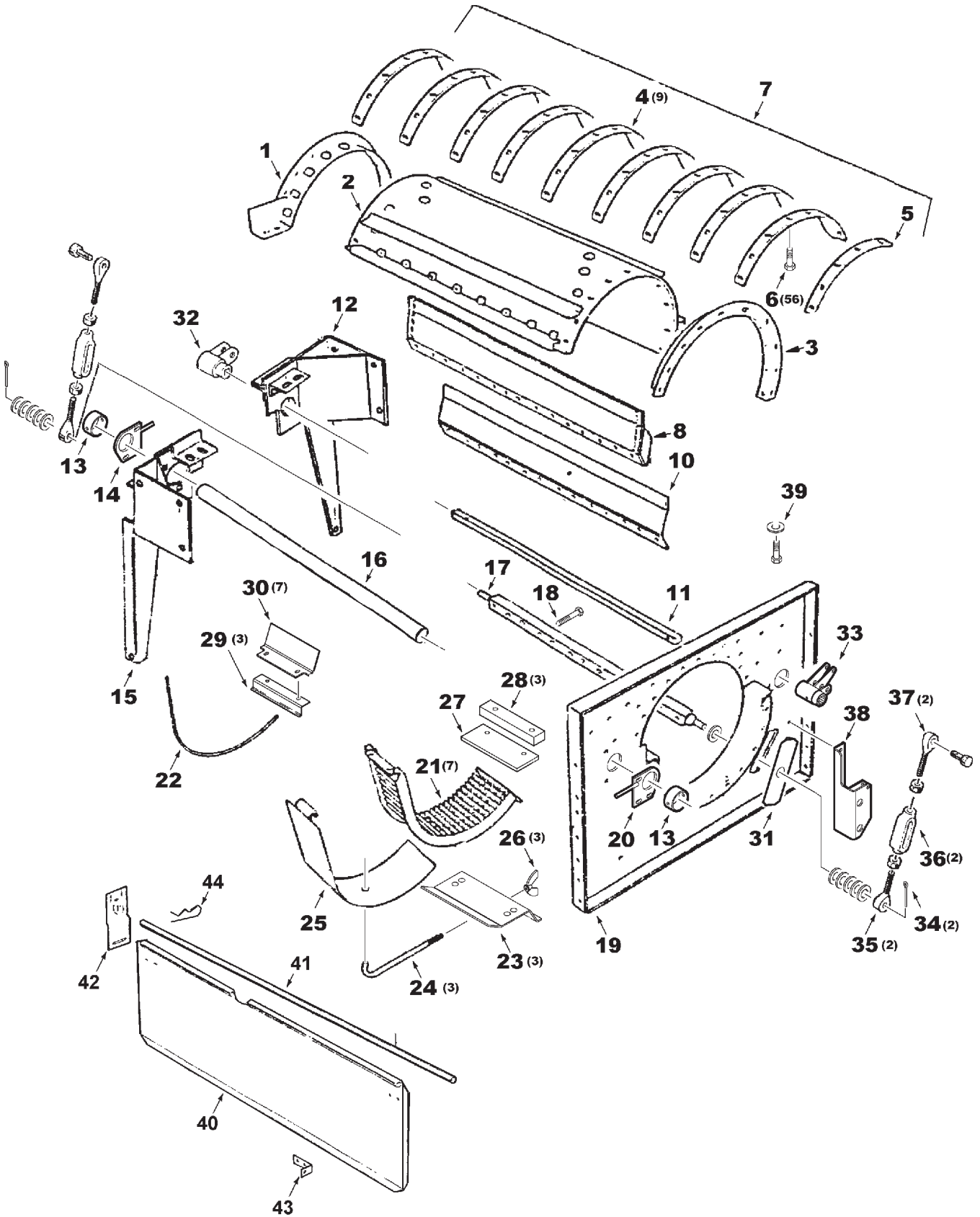
339

INLET HOUSING AND STONE TRAP

ITEM	NUMBER	QTY	DESCRIPTION
27	71391762	1	ANGLE, TRAP PIVOT
	701235	2	CAPSCREW, 1/2-13 X 1-1/2 GR5 (PRIOR S/N HN36101)
	390912X1	2	CAPSCREW, M12-1.75 X 40 CL8.8 (EFF. S/N HN36101)
	Y705624	4	WASHER, 1/2 NARROW (QTY VARIES)
29	71389212	1	PLATE WLMT, STONE TRAP
	70923701	4	CAPSCREW, 3/8-16 X 2 GR5
	353771X1	4	WASHER, HEAVY HARD, 3/8
	Y704734	4	NUT, HEX FLANGE TOP LOCK, 3/8-16
30	71387453	1	PLATE, FEED
31	71387587	1	CHANNEL, FRONT
	70921210	14	CAPSCREW, 3/8-16 X 1 GR5
	70917378	13	WASHER, 3/8, WIDE
	70916965	9	LOCKWASHER, 3/8
	Y704734	5	NUT, HEX FLANGE TOP LOCK, 3/8-16
	700703922	4	NUT, HEX FLANGE TOP LOCK, 5/8-11
32	71387455	1	PLATE WLMT, TOP
	70921965	15	CAPSCREW, 3/8-16 X 3/4
	70917378	15	WASHER, 3/8, WIDE
	Y704734	15	NUT, HEX FLANGE TOP LOCK, 3/8-16
33	71387459	1	SHEET WLMT, FRONT INLET HSG
	70916965	9	LOCKWASHER, 3/8
	70921965	9	CAPSCREW, 3/8-16 X 3/4 GR5
34	71387464	1	STRIP, SEAL CLAMPING, INNER
35	71387463	1	SEAL, INNER
36	71387465	1	SEAL, OUTER
37	71387466	1	STRIP, SEAL CLAMPING, OUTER
38	70925160	23	POP-RIVET, .251-.375 GRIP
41	70922645	2	CAPSCREW, 1/2-13 UNC X 2-1/4 GR5
	Y705624	2	WASHER, 1/2 NARROW
	704031	4	NUT, 1/2-13 REG
42	112412W1	2	LINK, LEVER
43	104201W1	2	SHAFT, PIVOT
45	71395422	1	COVER WELDMENT, STONE TRAP
	70921176	2	CAPSCREW, 1/2-13 X 1-1/4 GR5
	Y704742	2	NUT, HEX FLNG TOP LK, 1/2-13
46	70920787	10	CAPSCREW, 5/16-18 UNC X 1/2
48	70918459	2	COTTER PIN, 3/16 X 1-1/2
49	70936314	2	J-CLIP, 1/2 X .406 HOLE
50	71412348	1	PATCH WLMT, RETURN INLET (FIELD INSTALL, IMPROVED WEAR LIFE (PRIOR HR36101)
-	71399002	AR	KIT, STONE TRAP COVER (ORDER THRU DEALER CENTRAL)
-	700704010	AR	SILICONE, BLACK

MC00247
PR: 186

CONCAVE & CONTROLS



**9790 COMBINE
PROCESSOR**

341

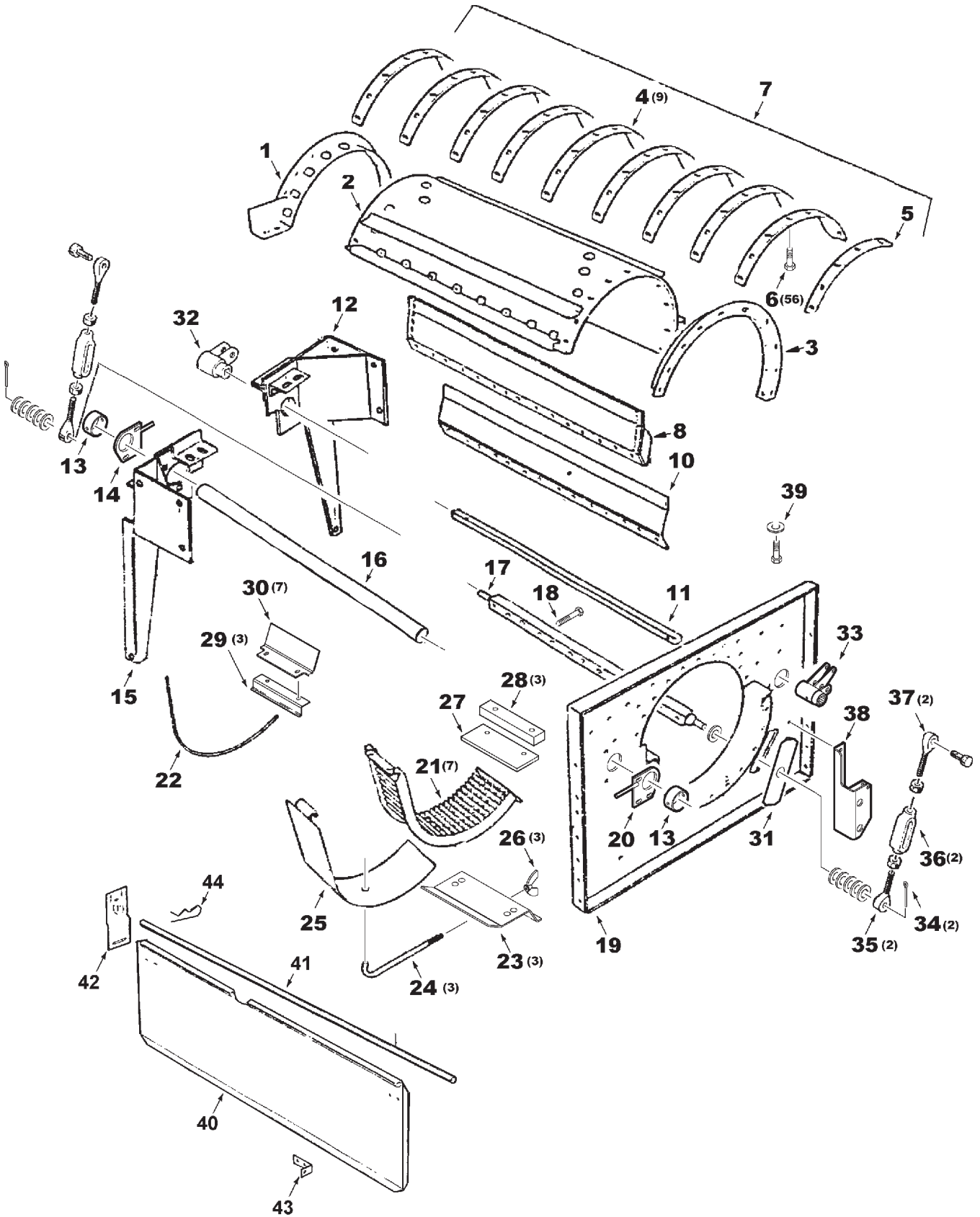
CONCAVE & CONTROLS

ITEM	NUMBER	QTY	DESCRIPTION
1	71388318	1	ANGLE WLDMT, REAR CONCAVE COVER
	700720958	10	SCR,SKT BTN HD,THD CUT'G, 3/8-16 X 1
2	71388301	1	COVER WLDMT, THRESHER
3	71388315	1	ANGLE WLDMT, FRONT CONCAVE
	700720958	10	SCR,SKT BTN HD,THD CUT'G, 3/8-16 X 1
4	2467220W1	9	VANE, GUIDE, 7 HOLE
5	2467230W1	1	VANE, GUIDE, 5 HOLE
6	700720958	56	SCREW,SKT BTN HD,THD CUT'G, 3/8-16 X 1"
7	71388312	1	COVER ASSEMBLY (INCLUDES ITEMS 1-6)
	703983	5	CAPSCREW, 1/2-13 X 1-3/4 GR5
	Y704742	5	NUT, HEX FLANGE TOP LOCK, 1/2-13
	70923114	1	CAPSCREW, 1/2-13 X 1" GR5
	Y704742	1	NUT, HEX FLANGE TOP LOCK, 1/2-13
	70921966	9	CAPSCREW, 3/8-16 X 7/8 GR5
	Y704734	9	NUT, HEX FLANGE TOP LOCK, 3/8-16
8	102764M91	1	OVERLAP WLDMT, PERFORATED (CORN,SB,RICE)
	71378025	AR	KIT, OVERLAP WLMT, PERFORATED (ORDER THRU DEALER CENTRAL)
10	2636870W2	1	OVERLAP, CONCAVE, SOLID (REPLACES FOLLOWING 3 OVERLAP PTS S/N HR36101)
	71395334	1	OVERLAP, LT FRONT,(GRAIN, AUST, CE)
	71395335	2	OVERLAP, LT MID,(GRAIN, AUST, CE)
	71395336	1	OVERLAP, LT REAR,(GRAIN, AUST, CE)
	70921210	14	CAPSCREW, 3/8-16 X 1 GR5
	353771X1	14	WASHER, HEAVY, HARD, 3/8
	71398099	AR	KIT, OVERLAP, SOLID SEGMENT (GRAIN) (ORDER THRU DEALER CENTRAL)
11	71395339	1	ROD, CONCAVE CONTROL, 1-1/4 SQUARE
12	71388302	1	SUPPOT WLDMT, LH REAR CONCAVE
	70921176	4	CAPSCREW, 1/2-13 X 1-1/4 GR5
	Y704742	4	NUT, HEX FLANGE TOP LOCK, 1/2-13
13	2442960W1	2	HOLDER, PIVOT TUBE
	70921324	2	CAPSCREW, 3/8-16 X 3-3/4 GR5
	Y704734	2	NUT, HEX FLANGE TOP LOCK, 3/8-16
14	71388314	1	PLATE WLDMT, ADJUSTING, RT REAR
	7700156	3	BOLT, RD HD SQ NK, 1/2-13 X 1-1/2
	Y704742	3	NUT, HEX FLANGE TOP LOCK, 1/2-13
	704031	2	NUT, 1/2-13 REG
15	71387872	1	SUPPORT WLDMT, RH REAR CONCAVE
	70921176	4	CAPSCREW, 1/2-13 X 1-1/4 GR5
	Y704742	4	NUT, HEX FLANGE TOP LOCK, 1/2-13
16	2442970W1	1	TUBE, CONCAVE PIVOT
17	71389084	1	HANGER WLDMT, CONCAVE LH
	700709607	11	WASHER, 3/4 WIDE
	70918461	2	COTTER PIN, 1/4 X 1-1/2
18	700702141	14	CAPSCREW, 3/8-16 X 4-1/4 (QTY 8 PRIOR S/N HR36101)
	13601	4	CPSCR, 3/8-16 X 5-1/4(PRIOR HR36101)
	70922760	2	CPSCR, 3/8-16 X 5-1/2(PRIOR HR36101)
	70917378	14	WASHER, 3/8, WIDE
	70916965	14	LOCKWASHER, 3/8
	70916950	14	NUT, 3/8-16 REG

CONTINUED

MC00275
PR: 190

CONCAVE & CONTROLS



**9790 COMBINE
PROCESSOR**

343

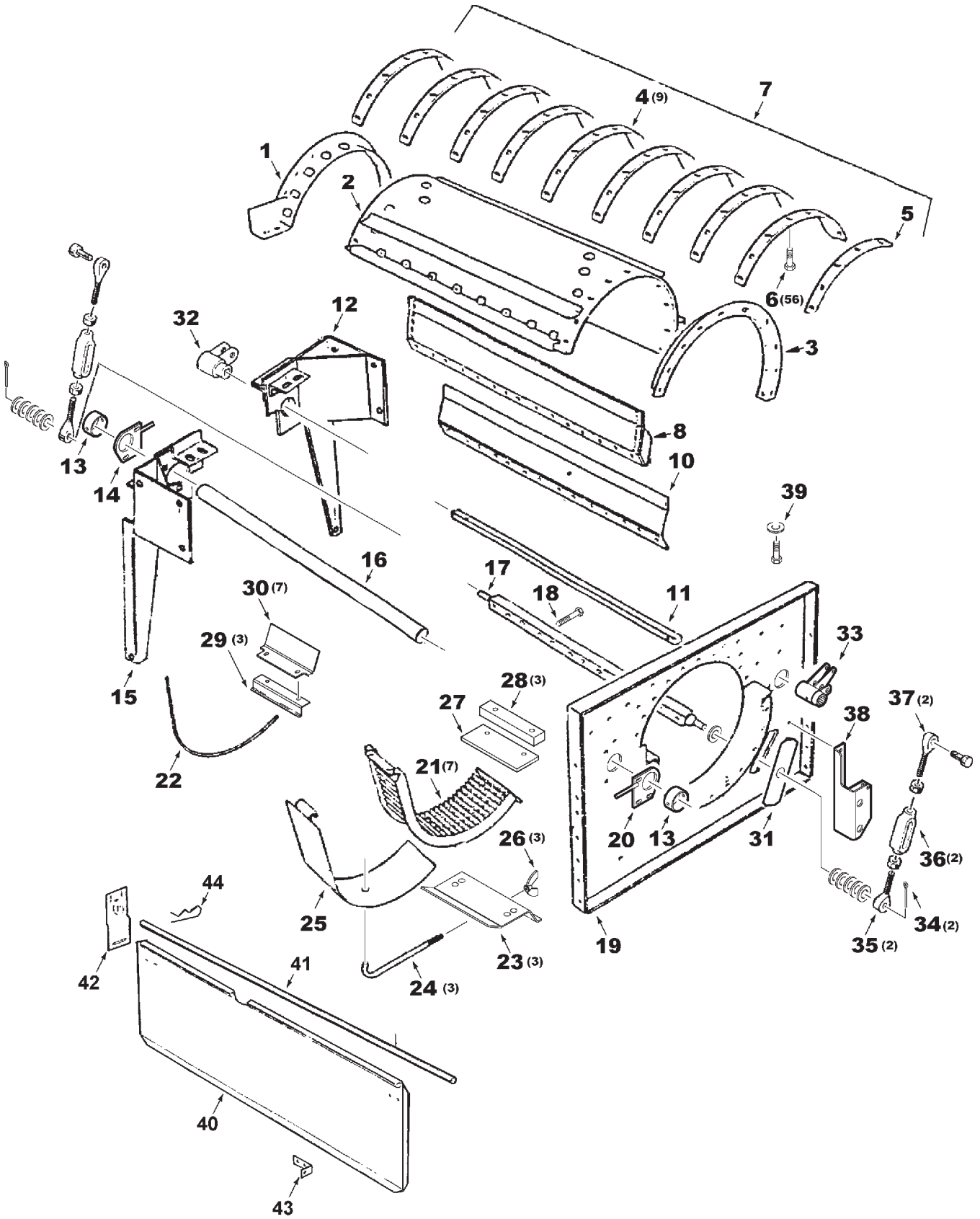
CONCAVE & CONTROLS

ITEM	NUMBER	QTY	DESCRIPTION
19	71409994	1	BULKHEAD WLMT (PRIOR S/N HS36101)
	71414552	1	BULKHEAD WLMT (EFF. S/N HS36101)
	70921176	12	CAPSCREW, 1/2-13 X 1-1/4
	Y704742	12	NUT, HEX FLANGE TOP LOCK, 1/2-13
20	71388321	1	PLATE WLDMT, ADJUSTING, RT FRONT
	7700156	3	BOLT, RD HD SQ NK, 1/2-13 X 1-1/2
	Y704742	3	NUT, HEX FLANGE TOP LOCK, 1/2-13
	704031	2	NUT, 1/2-13 REG
21	71390005	7	CONCAVE ASY, 3/16 ROD, 13/32 SPCG(GRAIN)
	71398098	--	*KIT, CONCAVE, GRAIN (INCLS 7, 71390005)
	104904W91	7	CONCAVE ASY, 1/4 ROD (CORN, SOYBN, AUST)
	71378022	--	*KIT, CONCAVE, CORN (INCLS 7, 104904W91)
	71398275B	7	CONCAVE ASY,(HT)1/4 ROD,1-1/4 SPCG(RICE)
	71401075	--	*KIT, CONCAVE, RICE (INCLS 7, 71398275)
	70921324	13	CAPSCREW, 3/8-16 X 3-3/4 GR5
	7772767	1	CAPSCREW, 3/8-16 X 3-1/2 GR5
	70916965	14	LOCKWASHER, 3/8 REG
	70916950	14	NUT, 3/8-16 REG
22	2472450W1	AR	ROD, CONCAVE, 3/16 DIA (GRAIN)
	105495W1	AR	ROD, CONCAVE, 5 MM DIA (CORN)
	71378021	--	*KIT,42 RODS,CORN CONCAVE,5 MM(5/8 SPCG)
	105493W1	AR	ROD, CONCAVE, 1/4 DIA (CORN, SOYBEAN, RICE & AUSTRALIA)
23	71391489	3	PLATE, LH BLANK ANCHOR
24	2544120W1	3	ROD, PULL, 5/16 THRDS
	700709602	3	WASHER, 5/16 WIDE
	Y705020	3	LOCKWASHER, 5/16
	70917372	3	NUT, 5/16-18 REG
	Y704726	3	NUT, HEX FLANGE TOP LOCK, 5/16-18
25	2545511W91	3	BLANK ASY, CONCAVE
26	704262	3	NUT, WING, 5/16-18
27	71395338	1	PLATE, STOP, PWR CONCAVE ADJUST (PRIOR S/N HR36101)
28	71395337	3	SHIM, CONCAVE, 1" THICK (PRIOR HR36101)
29	2545471W91	3	HINGE PLATE ASY, CONCAVE BLANK
30	71395407	7	ANGLE, RH OVERLAP
	70920415	14	CAPSCREW, 3/8-16 X 1-1/4 GR5
	70917378	14	WASHER, 3/8 WIDE
	70916965	14	LOCKWASHER, 3/8 REG
	70916950	14	NUT, 3/8-16 REG
31	2466960W2	1	COVER
32	2466861W91	1	LEVER WLDMT, CONCAVE ADJ, REAR
33	71393118	1	LEVER WLDMT, CONCAVE ADJ, FRONT
	7773864	2	CAPSCREW, 1/4-20 X 3" GR5
	704007	4	NUT, 1/4-20 REG

CONTINUED

MCO0275
PR: 190

CONCAVE & CONTROLS



**9790 COMBINE
PROCESSOR**

345

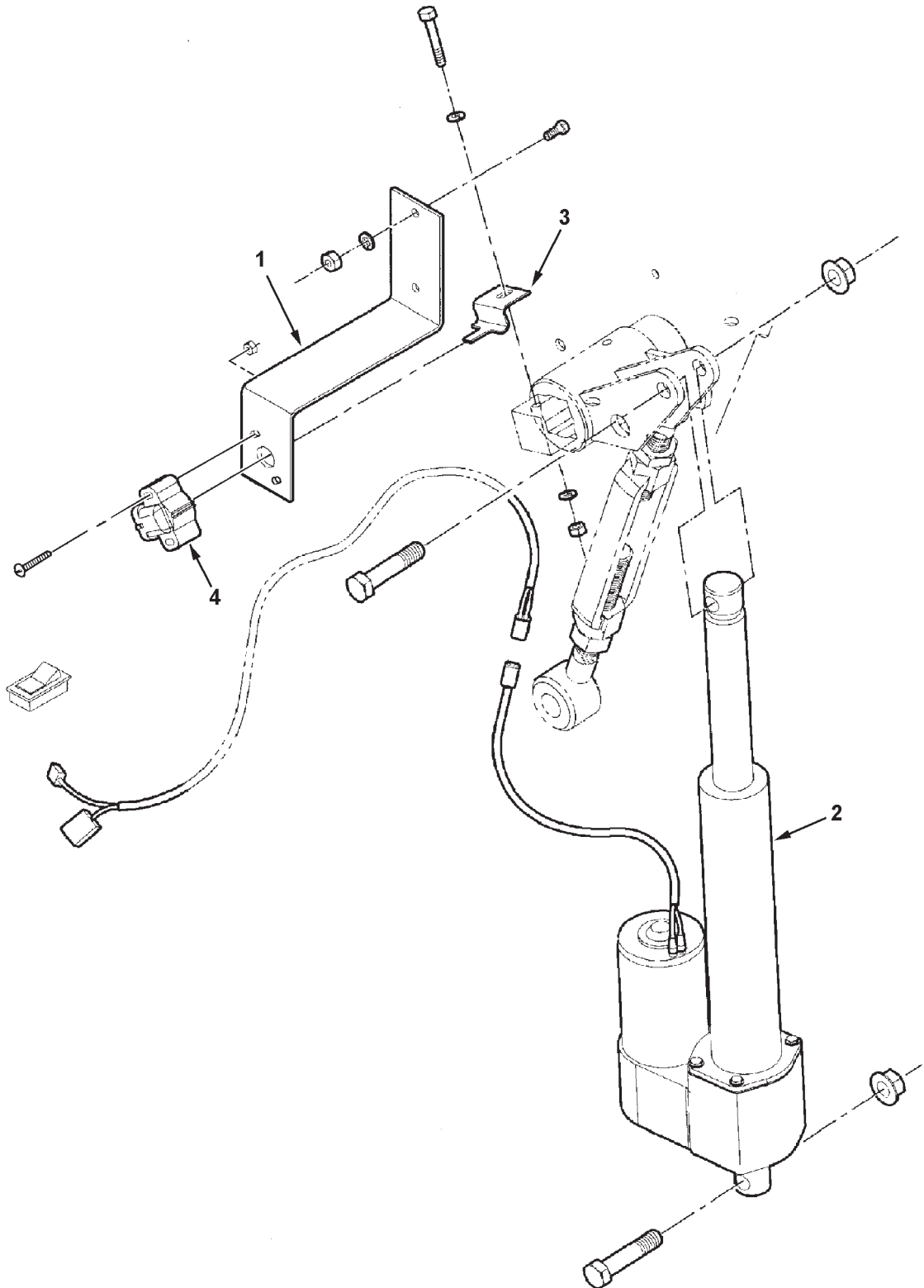
CONCAVE & CONTROLS

ITEM	NUMBER	QTY	DESCRIPTION
34	70929594	2	PIN, CLEVIS, 3/4 X 1.91
	62190	2	COTTER PIN, 5/32 X 1-1/2
35	103001M91	2	ROD ASY, CONCAVE ADJUST, 3/4-10 RH THD
	70913160	2	NUT, 3/4-10 REG
36	252502M1	2	TURNBUCKLE, 3/4-10
37	103004M91	2	ROD ASY, CONCAVE ADJUST, 3/4-10 LH THD
	254763M1	2	NUT, HEX JAM, 3/4-10 UNC LH THD
38	71393122	1	BASE WLDMT, ACTUATOR
	70923114	3	CAPSCREW, 1/2-13 X 1" GR5
	Y705046	3	LOCKWASHER, 1/2 REG
39	7771504	1	CAPSCREW, 5/8-11 X 3, FULL THD (PRIOR S/N HR36101)
	375112X1	1	JAM NUT, 5/8-11 (PRIOR S/N HR36101)
40	2547540W1	1	PLATE, CONCAVE DEFLECTOR
41	2531340W1	1	ROD, DEFLECTOR HINGE
42	2547531W91	2	MOUNTING PLATE WLDMT, DEFLECTOR
43	2530670W1	2	BRKT, DEFLECTOR ADJUSTING
	70923341	6	CAPSCREW, 1/4-20 X 3/4
	70917377	8	WASHER, 1/4 WIDE
	70916964	4	LOCKWASHER, 1/4 REG
	70916622	6	NUT, 1/4-20 REG
44	70936348	2	PIN, RETAINER, .125 DIA X 2.56 LG

*(ORDER THRU DEALER CENTRAL)

MC00275
PR: 190

POWER CONCAVE CONTROL



9790 COMBINE
PROCESSOR

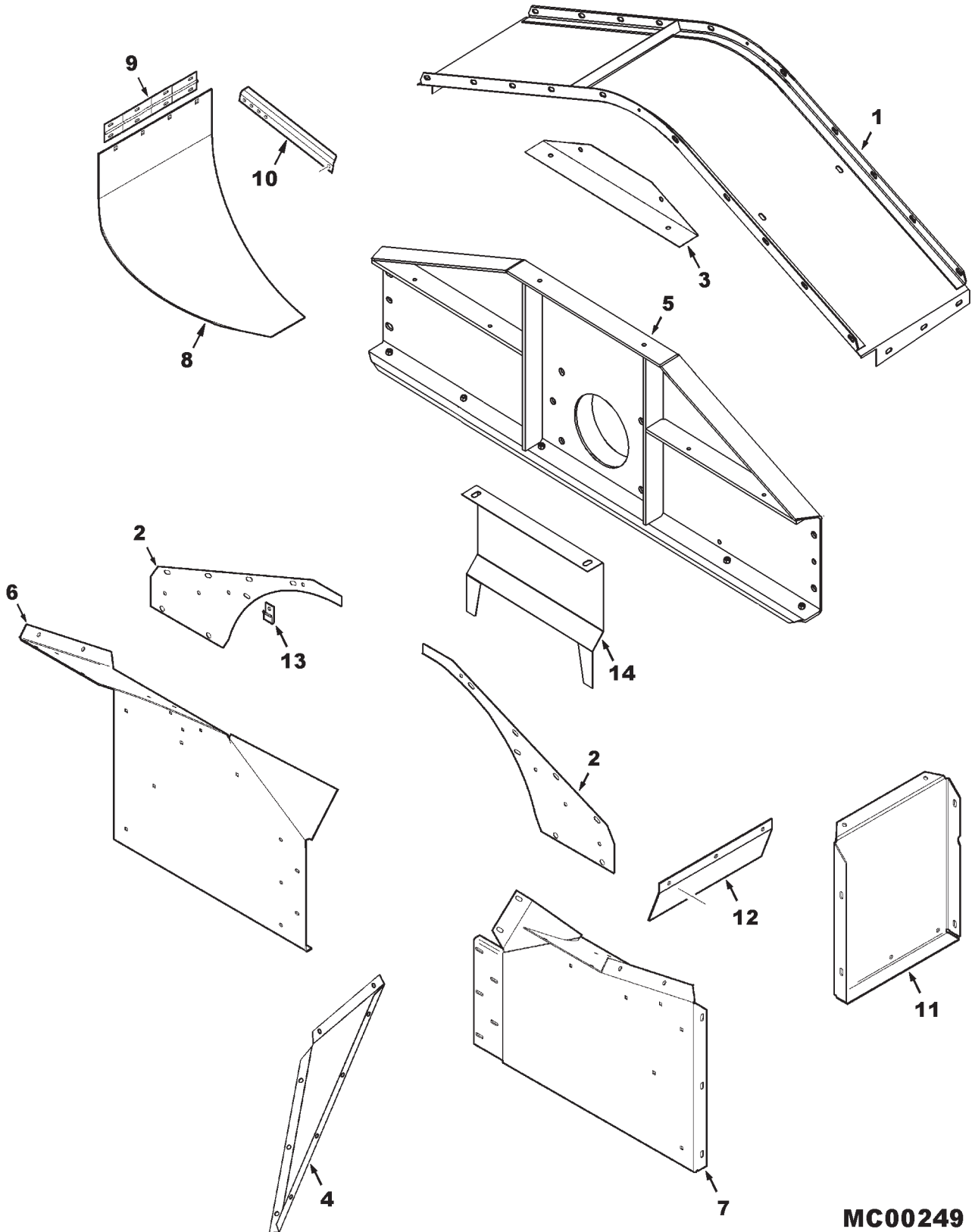
347

POWER CONCAVE CONTROL

ITEM	NUMBER	QTY	DESCRIPTION
1	71388322	1	BRACKET, SENSOR MOUNTING
	70927401	2	CAPSCREW, 1/4-20 X 1" GR5
	705012	2	LOCKWASHER, 1/4 REG
	704007	2	NUT, 1/4-20 REG
2	71411902	1	ACTUATOR, ELECTRIC
	70922645	2	CAPSCREW, 1/2-13 X 2-1/4 GR5
	Y704742	2	NUT, HEX FLG TOP LOCK, 1/2-13
3	71387329	1	TAB, SENSOR DRIVE
	Y703140	1	CAPSCREW, 1/4-20 X 1-3/4 GR5
	705707	1	WASHER, 1/4 NARROW
	705012	1	LOCKWASHER, 1/4 REG
	704007	1	NUT, 1/4-20 REG
4	71376825	1	SENSOR, CONCAVE POSITION
	70918151	2	SCREW, TRUSS HD, #10-32 X 1-1/4
	70917380	2	WASHER, #10 PLAIN
	705004	2	LOCKWASHER, #10 REG
	Y704445	2	NUT, #10-32 REG

MC00291
PR: 194

REAR ROTOR HOUSING



9790 COMBINE
PROCESSOR

349

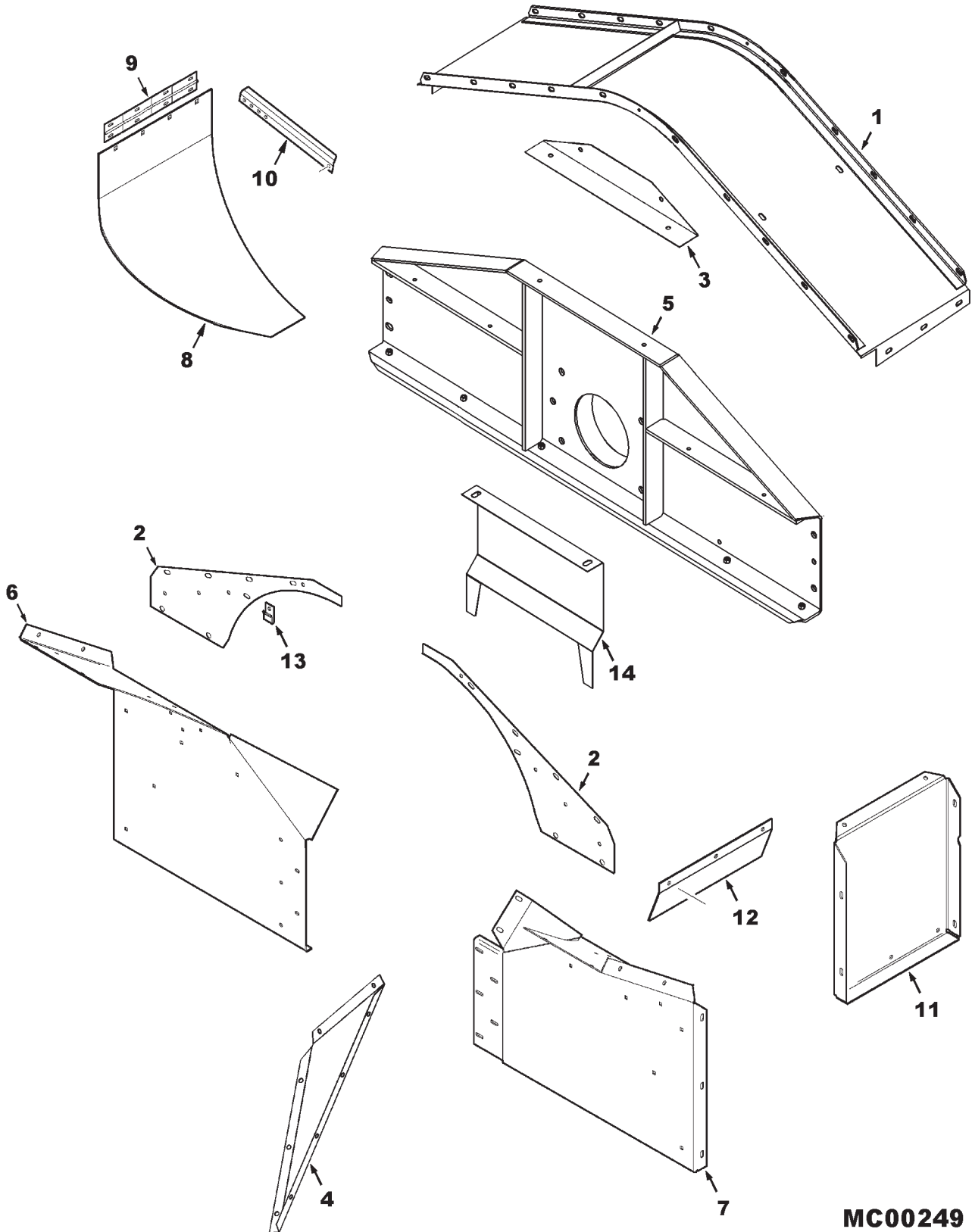
REAR ROTOR HOUSING

ITEM	NUMBER	QTY	DESCRIPTION
1	71387803	1	COVER WLDMT, TOP
	70921210	8	CAPSCREW, 3/8-16 X 1 GR5
	70917378	16	WASHER, 3/8
	70916965	8	LOCKWASHER, 3/8
	70916950	8	NUT, 3/8-16
2	71387807	2	BULKHEAD, REAR
	70921332	4	CAPSCREW, 5/16-18 X 3/4 GR5
	70917642	4	WASHER, 5/16
	Y705020	4	LOCKWASHER, 5/16
	70921210	8	CAPSCREW, 3/8-16 X 1 GR5
	70921965	6	CAPSCREW, 3/8-16 X 3/4 GR5
	70917378	22	WASHER, 3/8
	70916965	14	LOCKWASHER, 3/8
	70916950	14	NUT, 3/8-16
	3	71395346	1
70921210		2	CAPSCREW, 3/8-16 X 1 GR5
70921965		2	CAPSCREW, 3/8-16 X 3/4 GR5
70917378		4	WASHER, 3/8
70916965		4	LOCKWASHER, 3/8
70916950		4	NUT, 3/8-16
4	104928W1	1	PLATE, DEFLECTOR
	70931317	2	BOLT, RD HD SHT SQ NK, 1/4-20 X 3/4
	70937101	2	SPEEDNUT, 1/4-20
	7770456	3	BOLT, RD HD SQ NK, 5/16-18 X 3/4
	70921332	6	CAPSCREW, 5/16-18 X 3/4 GR5
	70917642	7	WASHER, 5/16
	70917356	9	LOCKWASHER, 5/16
	70917372	9	NUT, 5/16-18
	5	71394933	1
700703922		4	NUT, HEX FLNG TOP LK 5/8-11
6	71389053	1	BULKHEAD ASY., LEFT
	7770456	10	BOLT, RD HD SQ NK, 5/16-18 X 3/4
	70917642	10	WASHER, 5/16
	70917372	10	NUT, 5/16-18
	70921965	4	CAPSCREW, 3/8-16 X 3/4 GR5
	70921210	1	CAPSCREW, 3/8-16 X 1 GR5
	70917378	5	WASHER, 3/8
	70916965	5	LOCKWASHER, 3/8
70916950	5	NUT, 3/8-16	

CONTINUED

MCO0249
PR: 196

REAR ROTOR HOUSING



**9790 COMBINE
PROCESSOR**

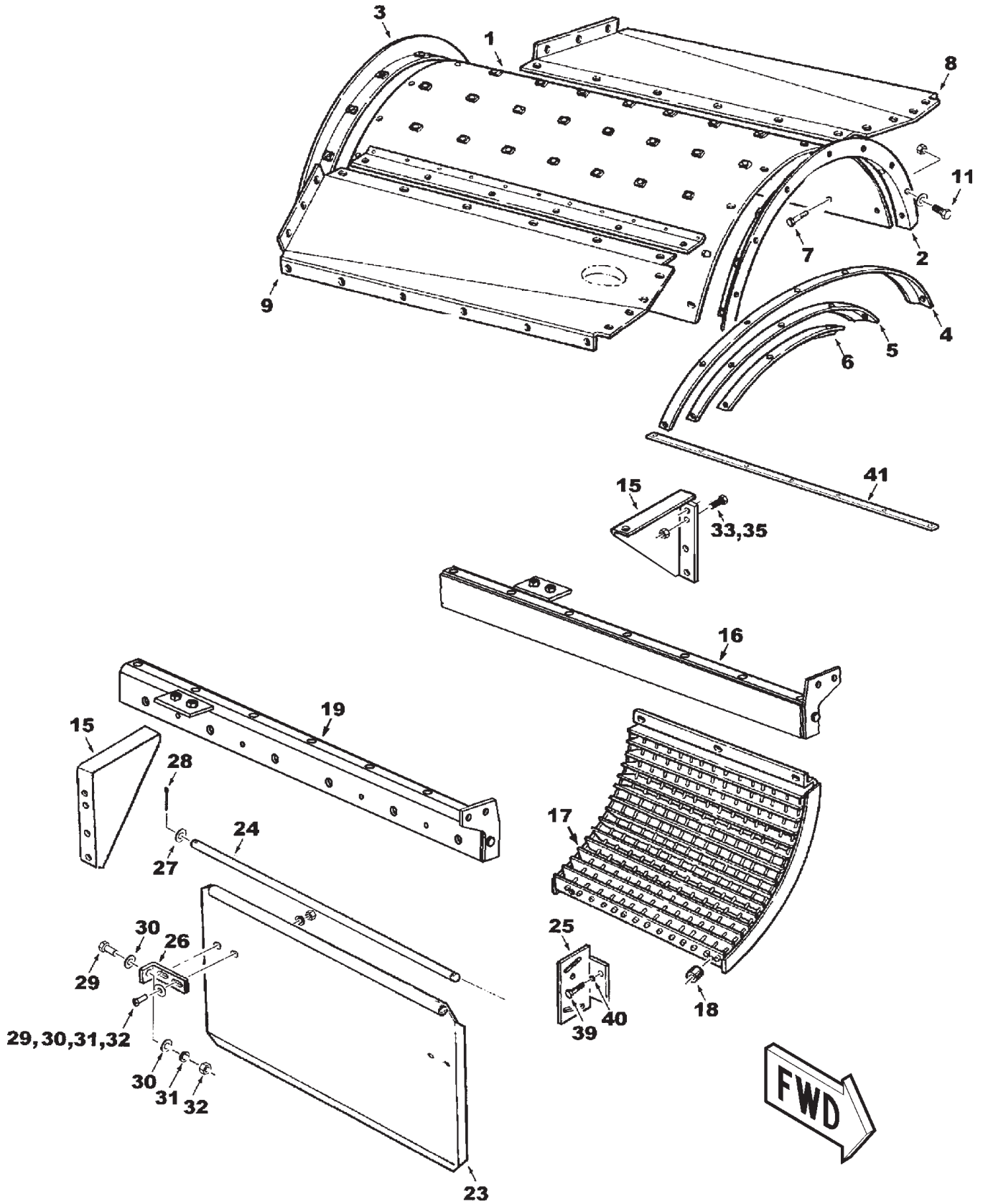
351

REAR ROTOR HOUSING

ITEM	NUMBER	QTY	DESCRIPTION
7	71389055	1	BULKHEAD ASY., RIGHT
	7770456	2	BOLT, RD HD SQ NK, 5/16-18 X 3/4
	70917642	2	WASHER, 5/16
	70917372	2	NUT, 5/16-18
	70921965	4	CAPSCREW, 3/8-16 X 3/4 GR5
	70921210	1	CAPSCREW, 3/8-16 X 1 GR5
	70917378	5	WASHER, 3/8
	70916965	5	LOCKWASHER, 3/8
	70916950	5	NUT, 3/8-16
8	71392690	1	DISCHARGE WLDMT, ROTOR DEFLECTOR
	70931348	4	BOLT, RD HD SQ NK, 3/8-16 X 3/4 GR5
	70916965	4	LOCKWASHER, 3/8
	70916950	4	NUT, 3/8-16
9	71386169	1	HINGE, DEFLECTOR
	70931348	4	BOLT, RD HD SQ NK, 3/8-16 X 3/4 GR5
	70916965	4	LOCKWASHER, 3/8
	70916950	4	NUT, 3/8-16
10	71389057	1	STRAP, DISCHARGE DEFLECTOR
	70921332	2	CAPSCREW, 5/16-18 X 3/4 GR5
	70917356	1	LOCKWASHER, 5/16
	70917372	1	NUT, 5/16-18
	7704117	1	NUT, HEX FLNG TOP LK, 5/16-18
11	71387826	1	PLATE, UPPER RH
	70921210	5	CAPSCREW, 3/8-16 X 1 GR5
	70917378	6	WASHER, 3/8
	70916965	5	LOCKWASHER, 3/8
	70916950	5	NUT, 3/8-16
12	71387700	1	PLATE, DEFLECTOR
	70921210	3	CAPSCREW, 3/8-16 X 1 GR5
	70916965	3	LOCKWASHER, 3/8
	70916950	3	NUT, 3/8-16
13	70936314	4	J-CLIP, 1/2
14	71404326	1	* DEFLECTOR PANEL, ROTOR GEARBOX
	70917378	2	* WASHER, 3/8 WIDE
-	700525382	AR	* KIT, DEFLECTOR, ROTOR GEARBOX (FIELD CAMPAIGN)(EFF. S/N HM36101 THRU HN36300)

MC00249
PR: 196

SEPARATOR GRATES



9790 COMBINE
PROCESSOR

353

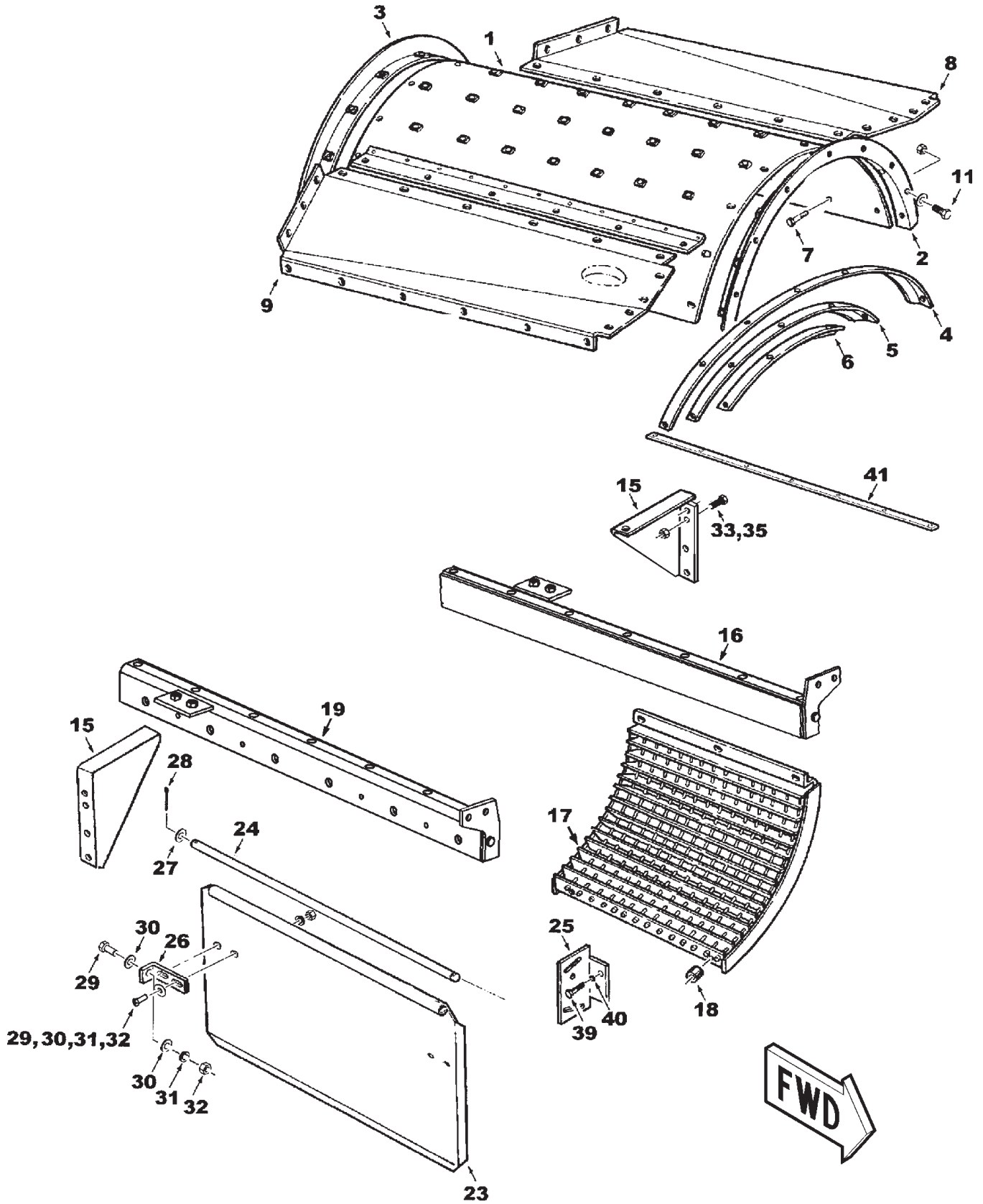
SEPARATOR GRATES

ITEM	NUMBER	QTY	DESCRIPTION
-	71388466	1	GUIDE VANE ASY,SEPARATOR(INCL ITEMS 1-7)
	70919089	14	CAPSCREW, 1/2-13 X 1-3/4 GR5
	Y705046	14	LOCKWASHER, 1/2
1	71388439	1	COVER WLDMT
2	71388441	1	ANGLE WLDMT, FRONT
3	71388442	1	ANGLE WLDMT, REAR
4	2467220W1	5	VANE, GUIDE 7 HOLE
5	2467230W1	1	VANE, GUIDE 5 HOLE
6	2498390W1	1	VANE, GUIDE 3 HOLE
7	71335689	52	SCR, SOCK BUTTON HD,TAPP'G, 3/8-16 X 3/4
	700720958	16	SCR, SOCK BUTTON HD,TAPP'G, 3/8-16 X 1
8	71387334	1	COVER, LEFT REAR
	71387336	1	COVER, LEFT FRONT
	70922586	7	CAPSCREW, 3/8-16 X 5/8
	70921332	4	CAPSCREW, 5/16-18 X 3/4
	70923325	13	CAPSCREW, 5/16-18 X 7/8
	70917378	7	WASHER, 3/8 WIDE
	70917642	15	WASHER, 5/16 WIDE
	70917356	13	LOCKWASHER, 5/16
	70916965	7	LOCKWASHER, 3/8
	353771X1	4	WASHER, HVY HARD, 3/8
	Y704726	4	NUT, HEX FLNG TOP LOCK, 5/16-18
9	71387335	1	COVER, RIGHT REAR
	71387337	1	COVER, RIGHT FRONT
	70923325	32	CAPSCREW, HEX, 5/16-18 X 7/8
	70917642	36	WASHER, 5/16
	70917356	32	LOCKWASHER, 5/16
	70917372	18	NUT, 5/16-18
	7703499	4	CAPSCREW, 5/16-18 X 3/4 GR5
	Y704726	4	NUT, HEX FLNG TOP LOCK, 5/16-18
11	70921210	16	CAPSCREW, 3/8-16 X 1.0
	353771X1	16	WASHER, HEAVY HARDENED FLAT, 3/8
	Y704734	16	LOCKNUT, HEX FLNG 3/8-16
15	71388453	2	BRACKET ASY.
	70921176	8	CAPSCREW, 1/2-13 X 1-1/4 GR5
	Y704742	8	NUT, HEX FLNG TOP LOCK, 1/2-13
16	71388459	1	HANGER ASSEMBLY, LEFT
	70921176	2	CAPSCREW, 1/2-13 X 1-1/4 GR5
	Y704742	2	NUT, HEX FLNG TOP LOCK, 1/2-13

CONTINUED

MCO0250
PR: 200

SEPARATOR GRATES



**9790 COMBINE
PROCESSOR**

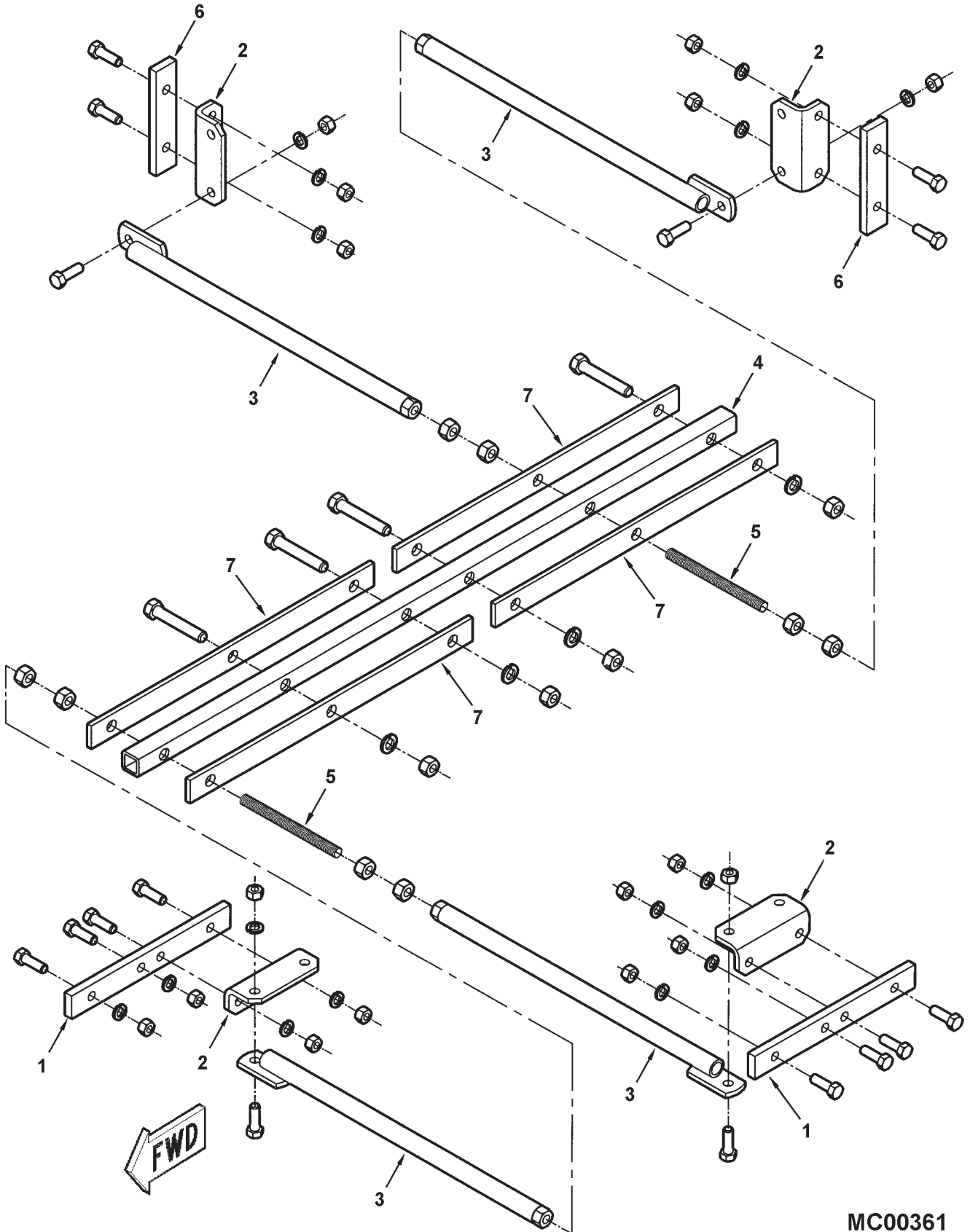
355

SEPARATOR GRATES

ITEM	NUMBER	QTY	DESCRIPTION
17	71388451	4	GRATE ASSEMBLY, SEPARATOR
	70920037	8	CAPSCREW, HEX SOCK HD, 1/2-13 X 5/8
	70921176	12	CAPSCREW 1/2-13 X 1-1/4
	Y705046	12	LOCKWASHER 1/2
18	151257M1	6	SPACER, 1-1/4 X 11/16 X 1-3/16
	70919434	6	CAPSCREW, 5/8-11 X 2-3/4 GR5
	700703922	6	NUT, HEX FLNGE TOP LOCK, 5/8-11
19	71388458	1	HANGER ASY., RH
	70921176	2	CAPSCREW, 1/2-13 X 1-1/4
	Y704742	2	NUT, HEX FLNG TOP LOCK, 1/2-13
23	2618670W1	2	SHIELD, DEFLECTOR
24	2618680W1	2	ROD, SEPARATOR DEFLECTOR, HINGE
25	2538810W1	4	BRACKET, SEPARATOR DEFLECTOR HINGE
26	2530670W1	4	BRACKET, ADJUSTING
27	70917378	4	WASHER, WIDE FLAT, 3/8
28	70918452	4	PIN, COTTER, 1/8 X 1.0
29	70923341	12	CAPSCREW, 1/4-20 X 3/4
30	70917377	16	WASHER, WIDE FLAT, 1/4
31	70916964	12	WASHER, LOCK, 1/4
32	70916622	12	NUT, HEX, 1/4-20
33	70921176	8	CAPSCREW, 1/2-13 X 1-1/4
35	Y704742	8	NUT, HEX FLNG TOP LOCK, 1/2-13
39	70921210	4	CAPSCREW, 3/8-16 X 1.0
40	70916965	4	WASHER, LOCK, 3/8
41	71388465	2	FLAT STRAP, COVER REINF

MC00250
PR: 200

SEPARATOR GRATE SUPPORTS
RICE



9790 COMBINE
PROCESSOR

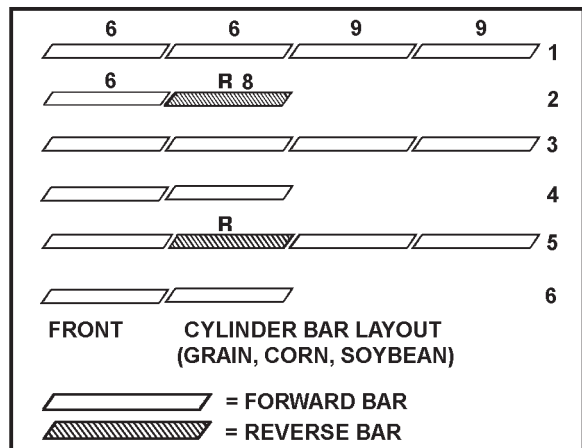
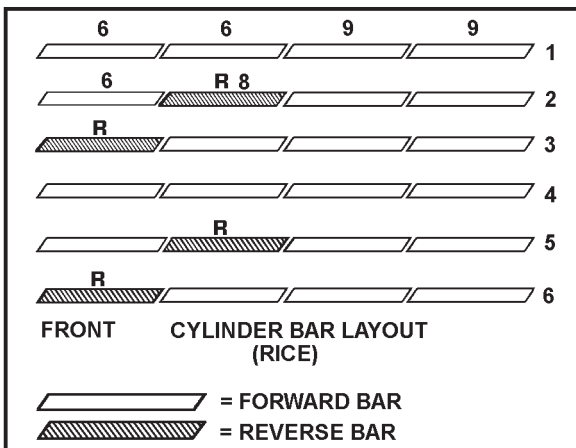
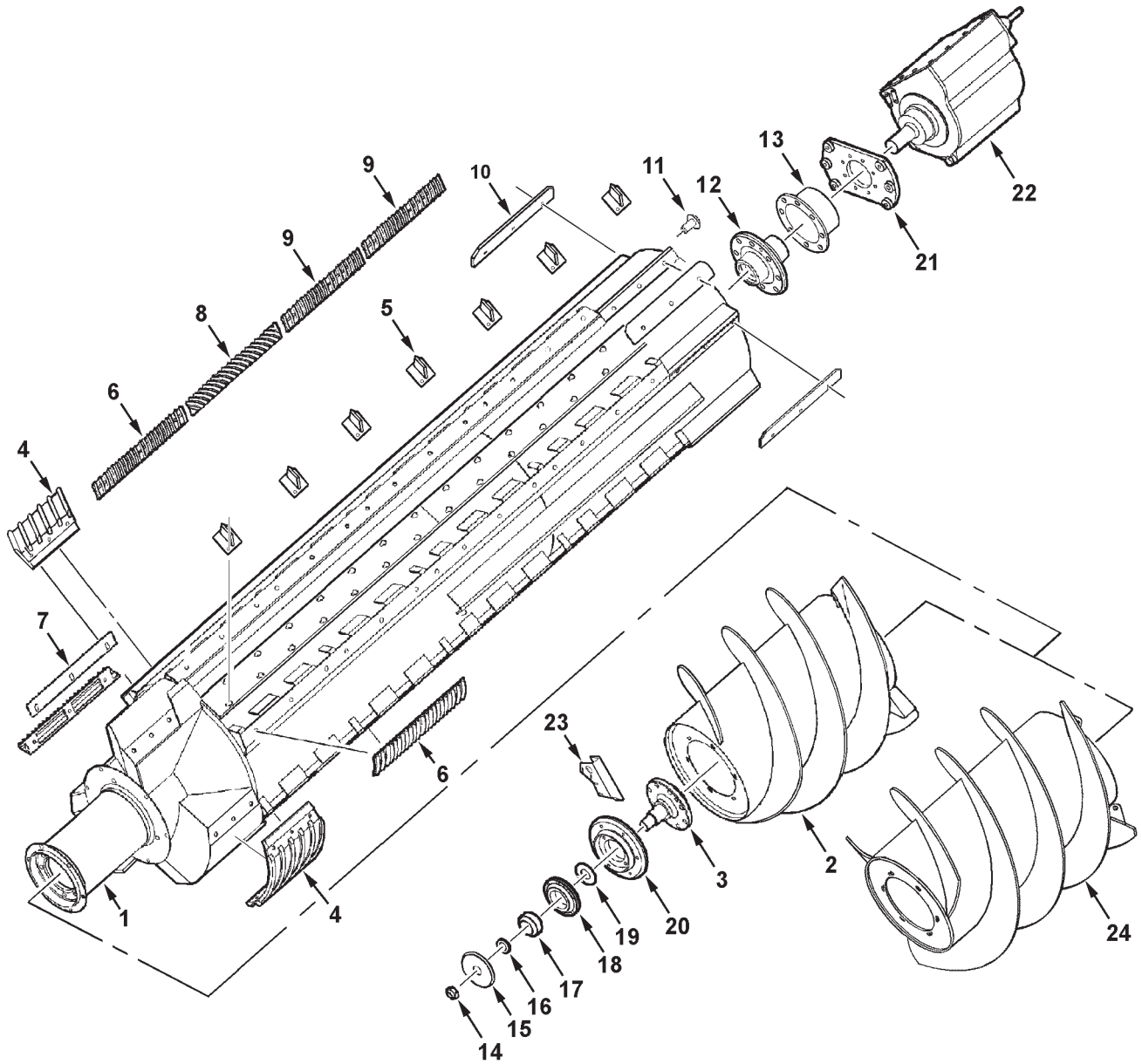
357

SEPARATOR GRATE SUPPORTS
RICE

ITEM	NUMBER	QTY	DESCRIPTION
1	71398761	2	BAR, REINFORCEMENT, FRONT
	703983	4	CAPSCREW, 1/2-13 X 1-3/4
	Y705046	4	LOCKWASHER, 1/2
	704031	4	NUT, HEX, 1/2-13
2	71398762	4	ANGLE, INNER SUPPORT
	703983	8	CAPSCREW, 1/2-13 X 1-3/4
	Y705046	8	LOCKWASHER, 1/2
	704031	8	NUT, HEX, 1/2-13
3	71398764	4	PIPE WLMT, SUPPORT
	701235	4	CAPSCREW, 1/2-13 X 1-1/2
	Y705046	4	LOCKWASHER, 1/2
	704031	4	NUT, HEX, 1/2-13
4	71398771	1	TUBE, STRUCTURAL
5	71398770	2	ROD, THREADED, 5/8-11 X 7.0
	70932665	8	NUT, HEX, 5/8-11
6	71398768	2	BAR, REINFORCEMENT, REAR
7	71398769	4	BAR, REINFORCEMENT
	7701550	4	CAPSCREW, 5/8-11 X 3-1/2
	70917373	4	LOCKWASHER, 5/8
	70932665	4	NUT, HEX, 5/8-11

MC00361
PR: 204

ROTOR



**9790 COMBINE
PROCESSOR**

359

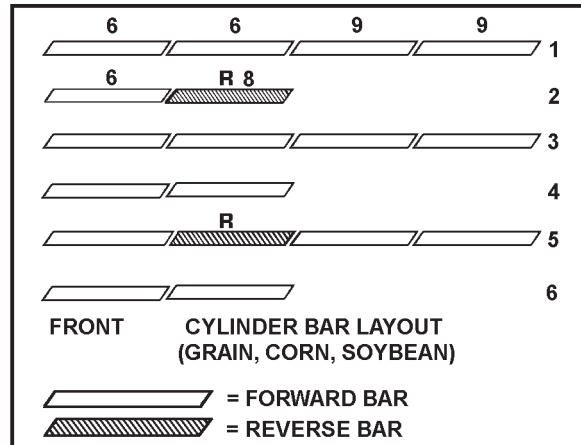
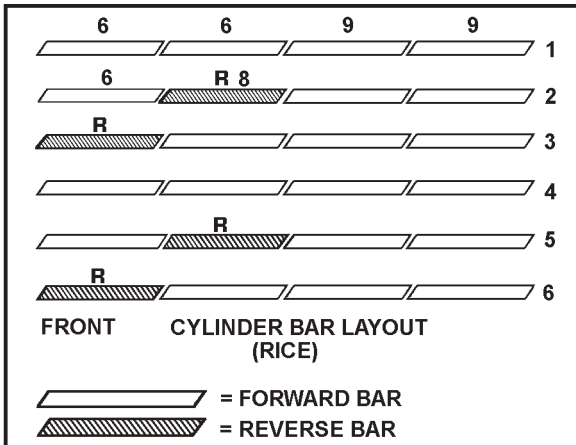
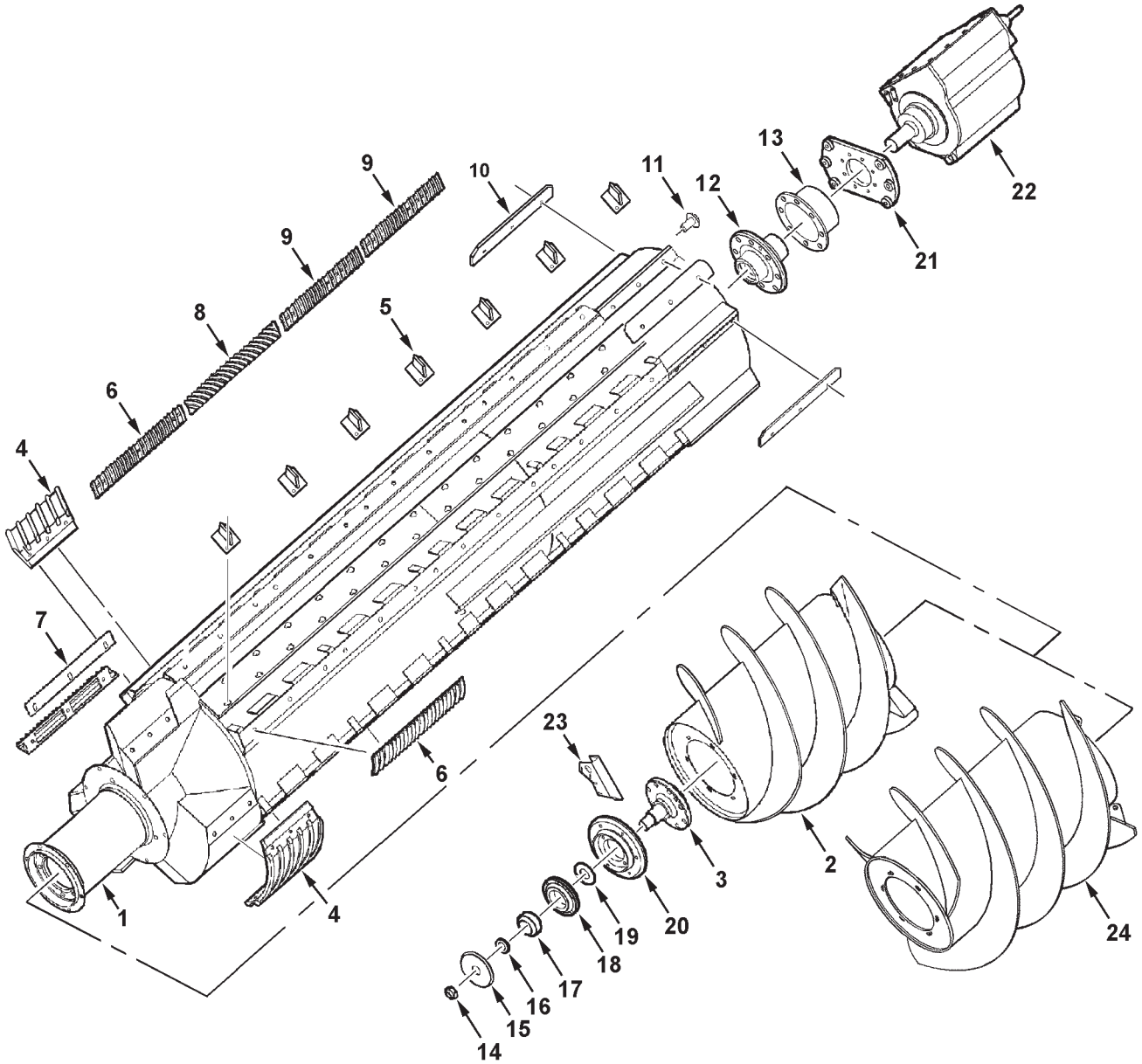
ROTOR

ITEM	NUMBER	QTY	DESCRIPTION
-	71410437	1	ROTOR ASY, REPAIR (GRAIN, CORN, SOYBEAN) (COMPLETE W/ FLIGHTING WLMT IT. 24)
-	71398271	1	KIT, ROTOR ASY (RICE & AUSTRALIA)
1	-----	X	ROTOR WLDMT, (NOT SERVICED)
2	2469711W91	1	FLIGHTING ASY, INLET (PRIOR S/N HN36101) (SERVICE W/71410439 & KIT *71412754)
	2469760W1	AR	FLIGHTING, WELD-ON (NON-HARDENED) (FOR 2469711W91)
	71399637	1	FLIGHTING ASY, INLET (EFF. S/N HN36101 THRU HP36999)(SERVICE W/ 71410439)
	71399641	AR	FLIGHTING, WELD-ON (NON-HARDENED) (FOR 71399637)(SERVICE W/ 71410441)
	70921210	15	CAPSCREW, 3/8-16 X 1 GR5
	70917378	15	WASHER, 3/8 WIDE
	70916965	15	LOCKWASHER, 3/8
	700704010	AR	SEAL, BLACK RTV 1473
3	101930M1	1	SHAFT, FRONT
	70921525	8	CAPSCREW, 1/2-13 X 1-3/4 GR8
4	2497273W91	1	ELEMENT, THRESHING (GR,CN,SBN)(SET OF 3)
	102835M91	1	ELEMENT, THRESHING (RICE, AUS)(SET OF 3)
	700706463	18	CAPSCREW, 3/8-16 X 1 GR8
	353771X1	18	WASHER, HEAVY HARD 3/8
5	2554761W91	21	IMPELLER WLMT
	7700461	42	BOLT, RD HD SHT SQ NK, 5/16-18 X 3/4
	Y704726	42	NUT, HEX FLNG, TOP LOCK, 5/16-18
	71378019	AR	KIT, 21 IMPELLERS, ROTOR (ORDER THRU DEALER CENTRAL)
6	71371520	10	CYLINDER BAR, .75 CHROME (GRN,CRN,SBN) QTY. 8 (RICE, AUSTRALIA)
7	71393107	AR	SHIM .0359
8	71371526	2	CYL BAR, REVERSE, .75 CHROME (GR,CN,SBN) QTY. 4 (RICE, AUSTRALIA)
9	71378577	6	CYL BAR, LONG, FWD .75 CHROME(GN,CN,SBN) QTY. 12 (RICE, AUSTRALIA)
	71378579	AR	CYL BAR, LONG, REVERSE, .75 CHROME (ALT)
	70926154	24	CAPSCREW, 1/2-13 X 1 GR8
	Y705046	24	LOCKWASHER, 1/2 REG
10	71395413	6	PLATE, SEPARATOR DISCHARGE QTY. 15 (RICE, AUST.)
	8701708	18	CAPSCREW, 1/2-13 X 1-1/4 GR8 QTY. 45 (RICE, AUST.)
	Y705046	18	LOCKWASHER, 1/2 QTY. 45 (RICE, AUST.)
	71399003	AR	KIT, SEPARATOR, 9 PADDLES (ORDER THRU DEALER CENTRAL)
11	373124X1	1	SCREW, TRUSS HEAD, 3/8-16 UNC X 3/4
12	71391752	1	HUB WLDMT, ROTOR DRIVE
13	102981M91	1	SHIELD ASSEMBLY
	70921525	8	CAPSCREW, 1/2-13 X 1-3/4 GR8
	353773X1	8	WASHER, HEAVY HARD 1/2

CONTINUED

MC00251
PR: 206

ROTOR



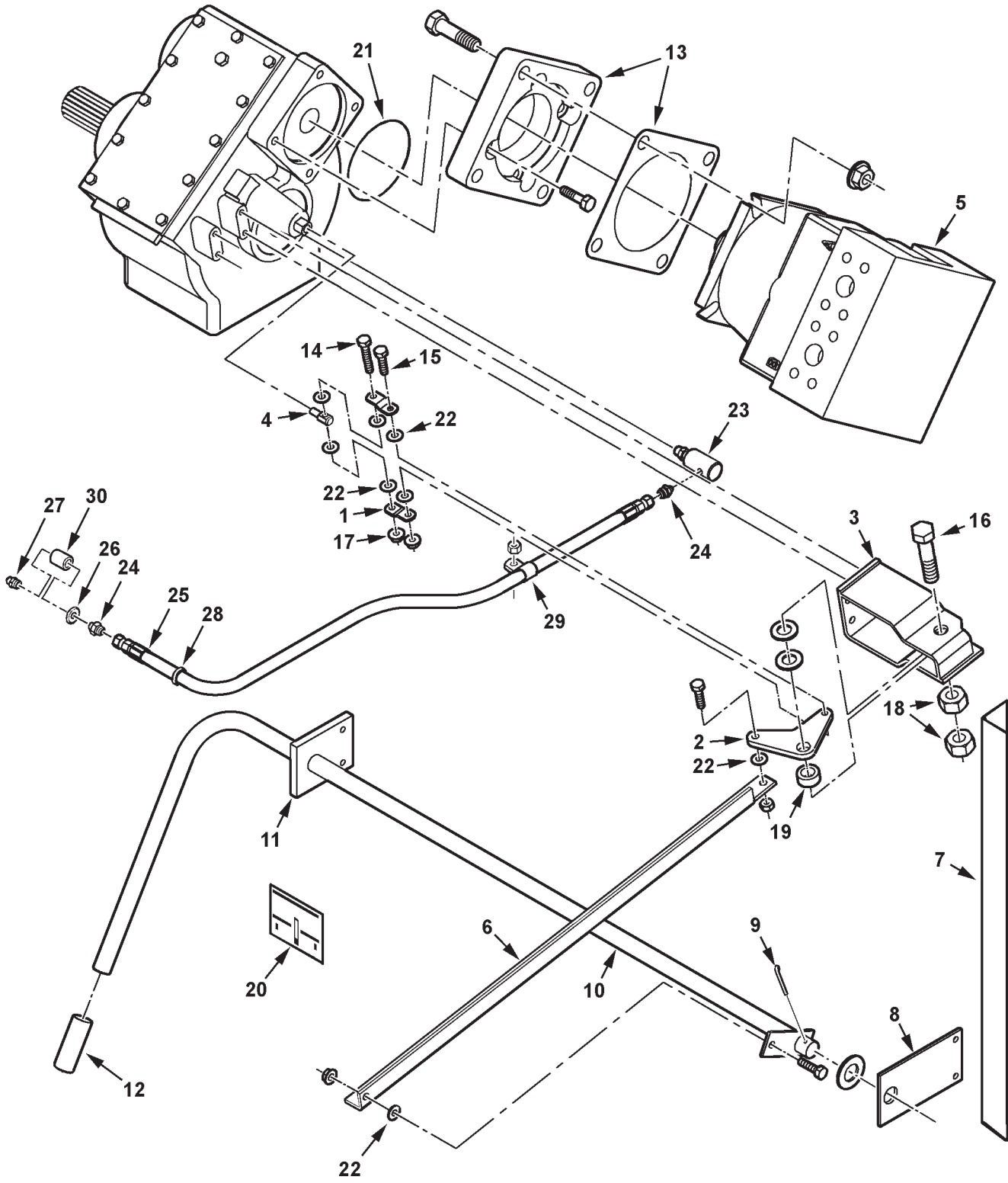
**9790 COMBINE
PROCESSOR**

**361
ROTOR**

ITEM	NUMBER	QTY	DESCRIPTION
14	832088M1	1	NUT, HEX JAM, SPL, 1-1/2-12
15	112752W1	1	WHEEL, ROTOR SPEED
16	2489940W1	1	WASHER, ROTOR FRONT
17	22602X	1	BEARING, WIDE INNER RACE
18	71387470	1	HOUSING, FRONT BEARING, ROTOR
	701235	4	CAPSCREW, 1/2-13 X 1-1/2 GR5
	Y705046	4	LOCKWASHER, 1/2 REG
19	2489920W1	1	SHIELD, BEARING
20	2489330W1	1	MOUNT, BEARING
	70923114	6	CAPSCREW, 1/2-13 X 1 GR5
	Y705046	6	LOCKWASHER, 1/2 REG
21	71401912	1	PLATE, GEARBOX MOUNTING
	70919434	6	CAPSCREW, 5/8-11 X 2-3/4
	70918432	6	WASHER, 5/8
	700703922	6	NUT, HEX FLG TOP LOCK, 5/8-11
22	71387393	1	GEARBOX, 2-SPEED (PRIOR S/N HP36101) (SERVICE W/ 71401731 & 71412594 KIT, COUPLING LUBE)
	71401731	1	GEARBOX, 2-SPEED (EFF. S/N HP36101)
	7703259	8	CAPSCREW, M12-1.75 X 50
	339369X1	8	LOCKWASHER, M12
23	71401326	1	BRKT, ROTOR SENSORS (EFF. S/N HN87101)
24	71410439	1	FLIGHT WLMT, INLET (EFF. S/N HR36101)
	71410441	AR	FLIGHTING, WELD-ON (NON-HARDENED) (FOR 71410439 OR 71399637)
	70923470	3	CAPSCREW, 3/8-16 X 1-1/2, GR8
	353771X1	3	WASHER, HARD, 3/8
-	71412754	AR	*KIT, MOUNTING OF FLIGHT WLMT(TO INSTALL FLIGHT WLMT 71410439 ON ALL S/N HM36--- & PRIOR GRAIN/CORN ROTORS) (NOT REQ'D FOR 9790 RICE ROTORS) (ORDER THRU DLR CENTRAL) INCLUDES:
	71401418	1	SPACER DISC
	71412755	3	SPACER, FLIGHT WLMT
	700708848	3	CAPSCREW, 3/8-16 X 1-1/2 GR8
	353771X1	3	WASHER, 3/8, HARD

MCO0251
PR: 206

ROTOR DRIVE
GEARBOX SHIFT LINKAGE



**9790 COMBINE
PROCESSOR**

363

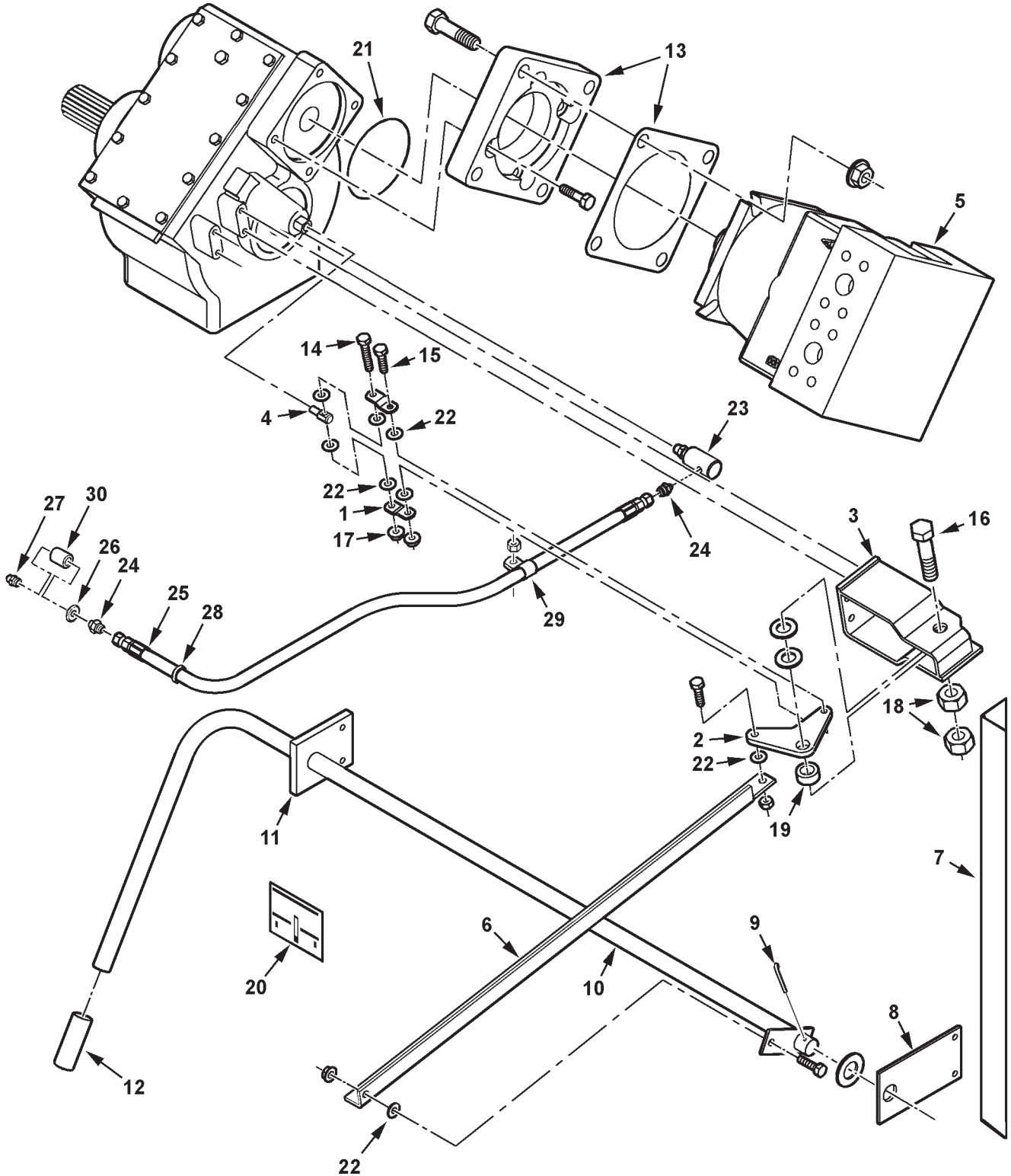
**ROTOR DRIVE
GEARBOX SHIFT LINKAGE**

ITEM	NUMBER	QTY	DESCRIPTION
1	71391261	2	LINK, SHIFT
2	71391643	1	BELLCRANK
3	71388829	1	PIVOT BRACKET ASY
	700708349	4	CAPSCREW, M10-1.5 X 25 CL8.8
	70917378	4	WASHER, 3/8 WIDE
4	71391660	1	SCREW, METRIC SPECIAL, M12-1.75
5	71396258	1	MOTOR, HYDRO ROTOR (SEE BREAKDOWN)
	7701766	4	CAPSCREW, 3/4-10 X 3-1/4 GR5
	700703923	4	NUT, HEX FLG TOP LOCK, 3/4-10
6	71391257	1	LINK, GEARSHIFT
	70921210	2	CAPSCREW, 3/8-16 X 1.0 GR5
	Y704734	2	NUT, HEX FLG TOP LOCK, 3/8-16
7	71388843	1	ANGLE, SUPPORT
	70921333	2	CAPSCREW, 5/16-18 X 1.0 GR5
	70917356	2	LOCKWASHER, 5/16 REG
	70917372	2	NUT, 5/16-18 REG
8	71388844	1	PLATE, REAR BEARING
	70921333	2	CAPSCREW, 5/16-18 X 1.0 GR5
	70917356	2	LOCKWASHER, 5/16 REG
	70917372	2	NUT, 5/16-18 REG
9	70922002	1	COTTER PIN, 3/16 X 2 LG
10	71388833	1	CRANK ASSEMBLY
	705681	1	WASHER, FLAT, 1.0 SAE
11	71391270	1	PLATE, FRONT BEARING
	70921977	2	CAPSCREW, 5/16-18 X 1-1/4 GR5
	70917642	2	WASHER, 5/16 WIDE
	70917356	2	LOCKWASHER, 5/16 REG
	70917372	2	NUT, 5/16-18 REG
12	71379254	1	GRIP, HANDLE
13	71388052	1	ADAPTER, ROTOR MOTOR
	71389765	1	GASKET, ROTOR MOTOR
	700708351	4	CAPSCREW, M12-1.75 X 30 CL8.8
14	70922127	1	CAPSCREW, 5/16-18 X 1-3/4 GR5
	70917642	2	WASHER, 5/16 WIDE
15	70921977	1	CAPSCREW, 5/16-18 X 1-1/4 GR5
16	70924763	1	CAPSCREW, 3/4-10 X 3-1/2 GR5
	70918269	2	WASHER, 3/4 NARROW
17	Y704726	2	NUT, HEX FLG TOP LOCK, 5/16-18
18	70913160	2	NUT, 3/4-10 REG
19	51871M1	1	SPACER
20	71407700	1	DECAL, IMPORTANT, ROTOR HI-LO (REPLACES DECAL 71368812)
21	70925785	1	O-RING, 4.987 X .103 (VITON)
22	71391654	6	WASHER, NYLON FRICTION

CONTINUED

MC00252
PR: 208

ROTOR DRIVE
GEARBOX SHIFT LINKAGE



9790 COMBINE
PROCESSOR

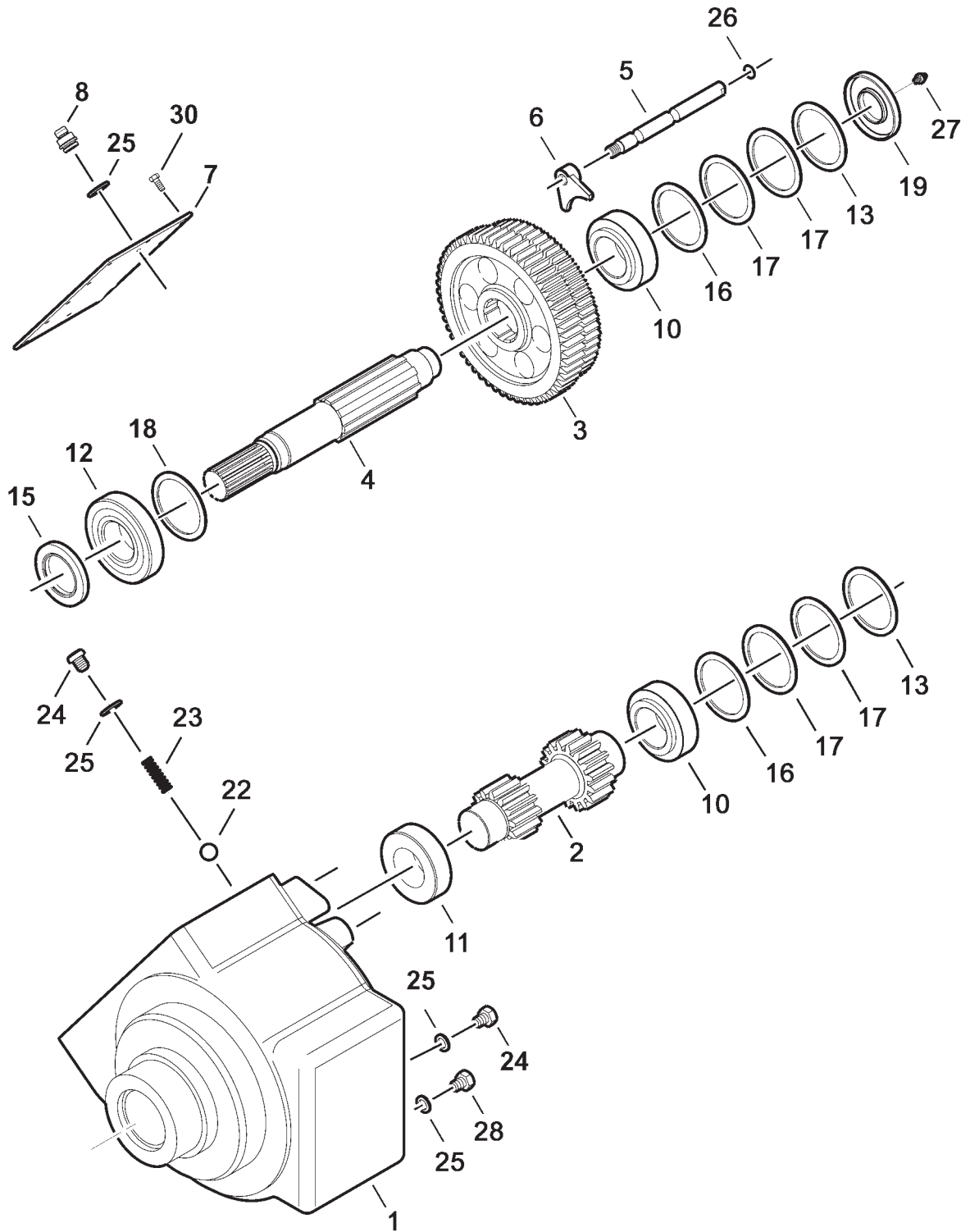
365

ROTOR DRIVE
GEARBOX SHIFT LINKAGE

ITEM	NUMBER	QTY	DESCRIPTION
23	71332011	1	* UNION, ROTATING, 9/16-18 ORB X 1/8 NPTF FEM. (EFF. S/N HP36101)
	70921885	1	O-RING, .078 X .468 ID
24	70919171	2	* CONN. STR MALE, 7/16-20 JIC X 1/8 NPTF
25	71401753	1	* HOSE ASY, GEARBOX LUBE
26	Y705533	1	* WASHER, 3/8, HARD
27	70914767	1	LUBE FTG, STRAIGHT, 1/8 NPTF FEM (PRIOR S/N HR36101)
	70915276	1	* LUBE FTG, 90 DEG, 1/8 PTF SPL SHORT (EFF. S/N HR36101)
28	827758	1	GROMMET,RUBBER, 1 ID (PRIOR S/N HR36101)
29	70925617	3	* CLAMP, .50 TUBE X .406 HOLE
	70916950	2	* NUT, 3/8-16 REG
30	70922862	1	* COUPLING, PIPE, 1/8-27 NPTF FEM (EFF. S/N HR36101)
-	71412594	AR	KIT, COUPLING LUBE (INCLUDES * ITEMS)

MCO0252
PR: 208

ROTOR DRIVE
2-SPEED GEARBOX



**9790 COMBINE
PROCESSOR**

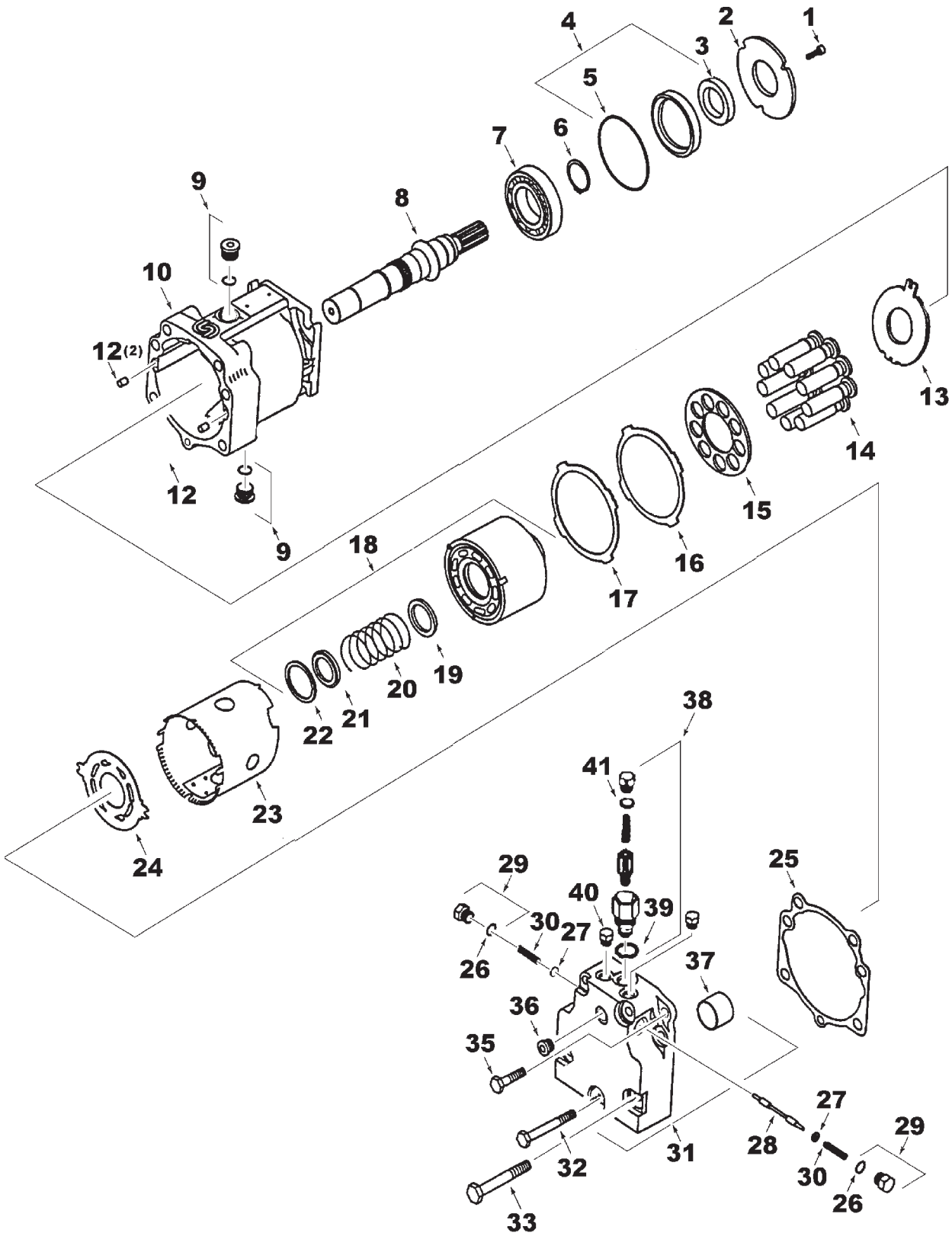
367

**ROTOR DRIVE
2-SPEED GEARBOX**

ITEM	NUMBER	QTY	DESCRIPTION
-	71387393	1	GEARBOX, 2-SPEED (PRIOR S/N HP36101) (SERVICE W/ 71401731 & 71412594 KIT, COUPLING LUBE)
-	71401731	1	GEARBOX, 2-SPEED (EFF. S/N HP36101)
1	71392886	1	GEAR CASE
2	71392887	1	SHAFT, GEAR (13 & 16 TEETH)
3	71392888	1	GEAR (53 & 56 TEETH)
4	71392889	1	SHAFT (LUBE FTG STYLE)(PRIOR S/N HP36101)
	71401730	1	SHAFT(REMOTE LUBE STYLE)(EFF S/N HP36101)
5	71392890	1	RAIL, SHIFT
6	71392891	1	FORK, SHIFT
7	71392892	1	COVER PLATE
	79021649	AR	SEALANT/GASKET (RTV SILICONE-CLEAR)
8	71391263	1	PLUG, BREATHER M16 X 1.5
10	71392894	2	BEARING, TAPER-ROLLER, CUP & CONE
11	71392895	1	BEARING, TAPER-ROLLER, CUP & CONE
12	71392896	1	BEARING, TAPER-ROLLER, CUP & CONE
13	71392897	2	RING, RETAINING, INTERNAL
15	71392898	1	SEAL (A60 X 95 X 10)
16	71392899	2	SHIM (90 X 100 X 2, 0)
17	71392900	4	SHIM (90 X 100 X 0, 1)
18	71394126	1	WASHER, SPACER
19	71394127	1	SEAL (AS45 X 100 X 10)
22	71394128	1	BALL (12mm)
23	71394129	1	SPRING, COMPRESSION
24	71394130	4	PLUG, HEX SOCKET
25	71394131	5	RING, GASKET (COPPER)
26	71394132	1	O-RING, SEALING
27	71394133	1	LUBE FITTING (M8 X 1)(PRIOR S/N HP36101)
28	71394134	1	PLUG, HEX SOCKET (MAGNETIC)
30	700708359	12	CAPSCREW, HEX (M8-1.25 X 20 CL8.8)

71387393
PR: 210

MOTOR, HYDROSTATIC ROTOR



9790 COMBINE
PROCESSOR

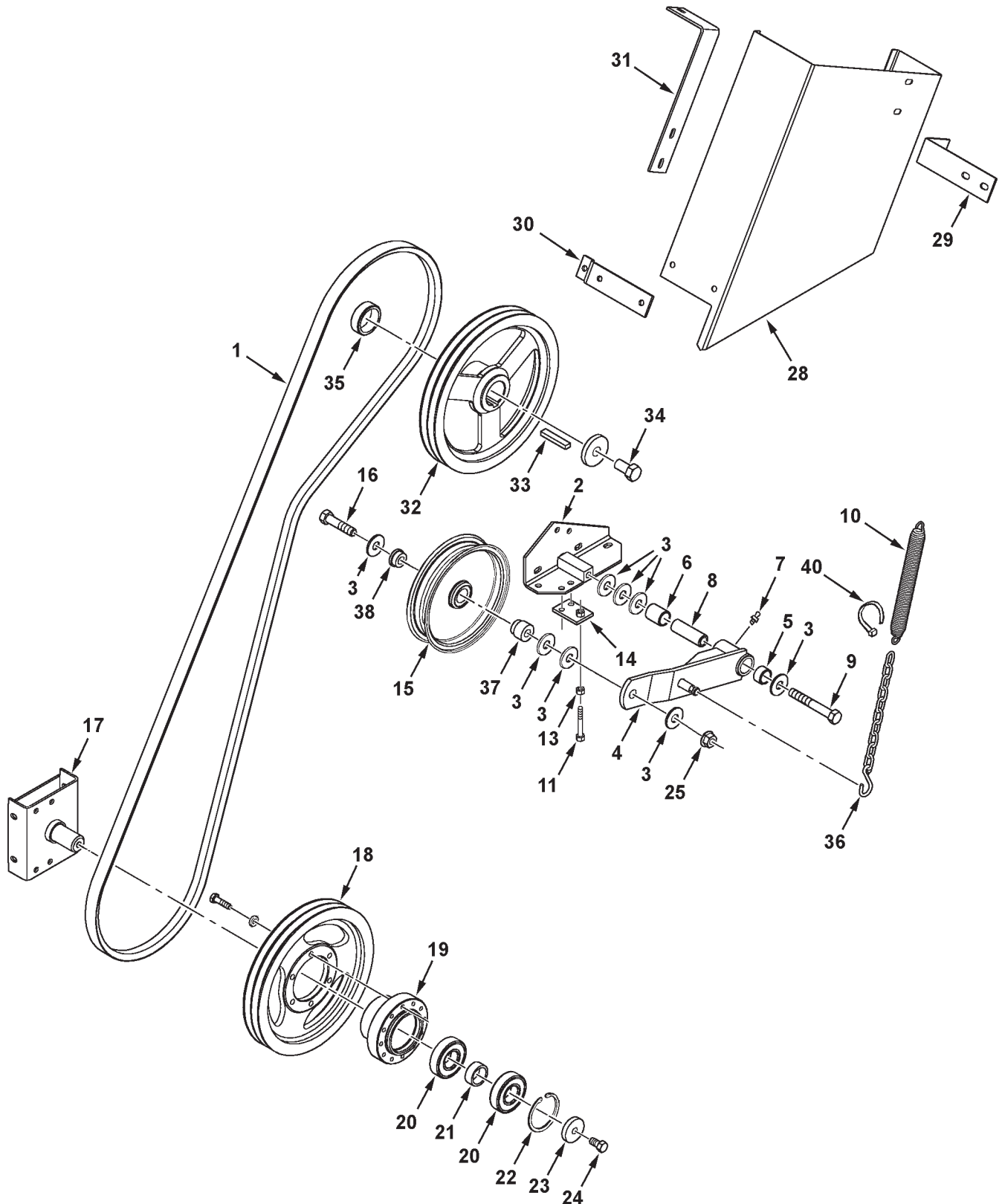
369

MOTOR, HYDROSTATIC ROTOR

ITEM	NUMBER	QTY	DESCRIPTION
-	71396258	1	MOTOR, FIXED, 130cc
-	71396178	AR	KIT, SEAL OVERHAUL
1	71396177	3	SCREW, SOCKET HEAD, M6 X 20
2	71396176	1	PLATE, RETAINER
3	1077666M1	2	SEAL
4	71396174	1	SEAL CARRIER ASY
5	71396175	1	O-RING
6	71396173	1	RING, RETAINING
7	71396171	1	BEARING, ROLLER
8	71396170	1	SHAFT, 23T SPLINE
9	71396144	2	PLUG
	70921214	2	O-RING, .116 X 1.171 ID, 90 DUR.
10	71396143	1	HOUSING, FIXED
12	700702137	2	PIN
13	71396158	1	PLATE, THRUST
14	71396151	9	PISTON, WELDED
15	71396152	1	RETAINER, SLIPPER
16	71396153	1	GUIDE RETAINER, SLIPPER
17	71396154	1	SHIM, SLIPPER GUIDE RETAINER
18	71396146	1	CYLINDER BLOCK ASY. (INCL ITEMS 19-22)
19	71396147	1	SEAT, SPRING
20	71396148	1	SPRING
21	71396149	1	RETAINER, SPRING
22	71396150	1	RING, RETAINING
23	71396155	1	TUBE, HOLDDOWN
24	71396156	1	VALVE PLATE
25	71396159	2	GASKET, END CAP
26	AG133717	4	O-RING
27	71396166	2	GUIDE, SPRING
28	71396165	1	SPOOL, SHUTTLE
29	71396168	2	PLUG, SPECIAL
30	71396167	2	SPRING
31	71396163	1	END CAP ASY., TWIN PORTS
32	71396162	1	SCREW
33	71396160	4	SCREW
35	71396161	2	SCREW
36	700725864	2	PLUG
	70928488	1	O-RING .078 X .468 ID, 90 DUR, VITON
37	71396164	1	JOURNAL BEARING
38	71396169	1	POPPET ASY., CHARGE RELIEF
39	70928486	1	O-RING .097 X .755 ID, 90 DUR, VITON
40	71374831	2	PLUG
	70928488	1	O-RING .078 X .468 ID, 90 DUR, VITON
41	70928488	1	O-RING .078 X .468 ID, 90 DUR, VITON

MCO0254
PR: 212

JACKSHAFT DRIVE



**9790 COMBINE
CHOPPER & SPREADER**

371

JACKSHAFT DRIVE

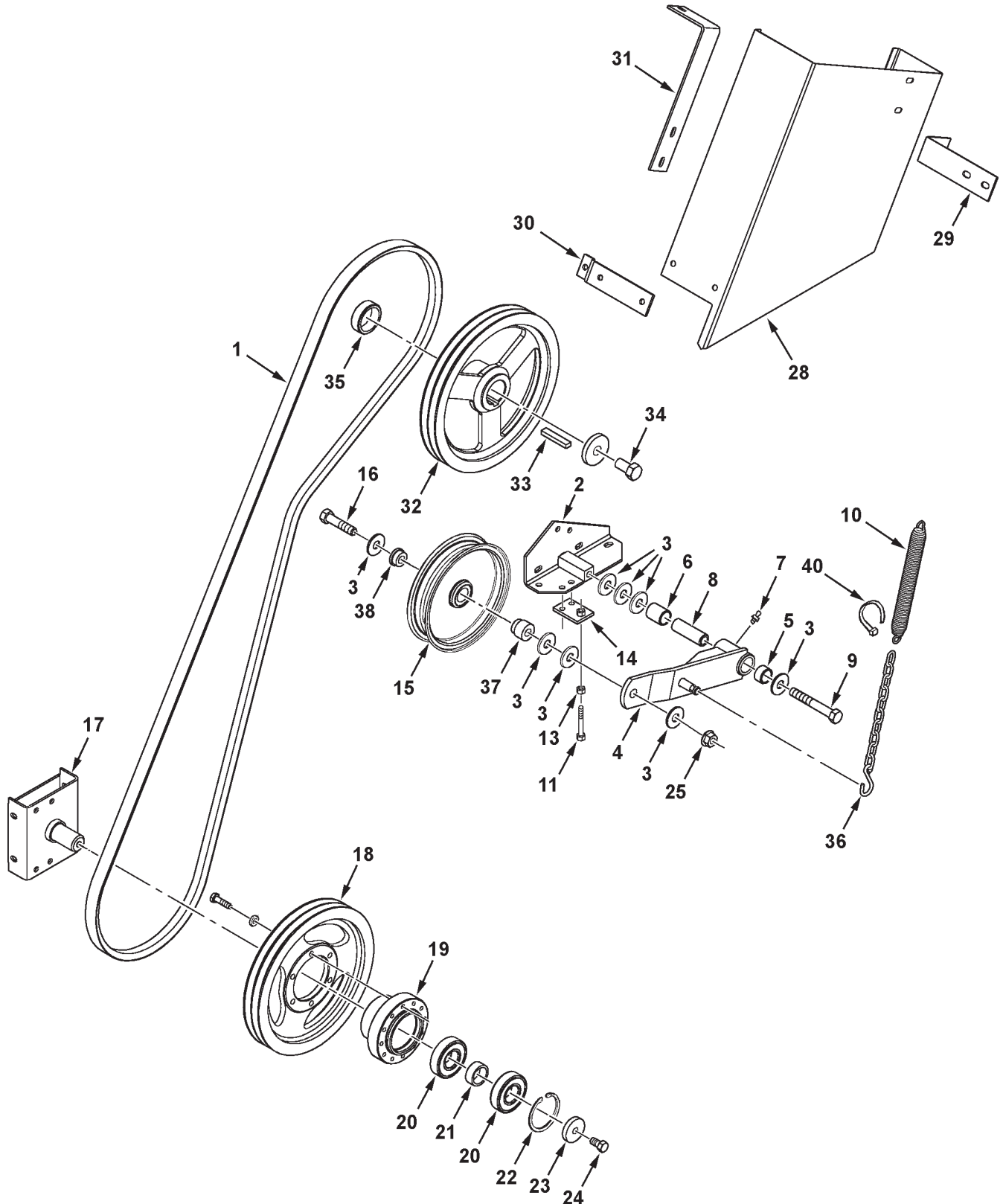
ITEM	NUMBER	QTY	DESCRIPTION
1	227455M1	1	BELT - PRIMARY DR, SPREADER
	71385837	1	BELT-PRIMARY, CHOPPER(PRIOR S/N HR36101)
	71406361	1	BELT-PRIMARY, CHOPPER (EFF. S/N HR36101)
2	101098M91	1	PIVOT STAND WLMT, IDLER
	70920415	4	CAPSCREW, 3/8-16 X 1-1/4
	70917378	4	WASHER, PLAIN, 3/8
	Y704734	5	NUT, HEX FLANGE TOP LOCK, 3/8-16
3	70918432	6	WASHER, 5/8, WIDE (QTY 6, PRIOR S/N HR36101)
4	71406362	1	ARM ASSEMBLY, IDLER JACKSHAFT
5	1689170W1	2	BUSHING, 1 X 1.24 X .75 LG (WAS QTY.1)
6	1742670W1	1	BUSHING, 1 X 1.24 X 1.50 LG (PRIOR S/N HP36---, MID-PROD'N RUN)
7	70914465	1	LUBE FITTING, 1/8-27 NPT, SPL EXT SHORT
8	2441490W1	1	SLEEVE, 41/64 X 63/64 X 3-1/16
9	70925704	1	CAPSCREW, 5/8-11 X 4-1/2
10	101276M2	1	SPRING, IDLER TENSIONER
11	70931643	1	CAPSCREW, 3/8-16 X 3
13	70916950	1	NUT, 3/8-16 REG
14	2628221W91	1	STOP PLATE WLMT
	70921210	2	CAPSCREW, 3/8-16 X 1
	70917378	2	WASHER, WIDE, 3/8
	Y704734	2	NUT, HEX FLANGE TOP LOCK, 3/8-16
15	2553560W1	1	IDLER, FLAT, 8.0 DIA (SPREADER)
	2553560W1	1	IDLER, FLAT, 8.0 DIA (CHOPPER) (PRIOR S/N HR36101)
	71309767	1	IDLER, FLAT, 8.0 DIA (CHOPPER) (EFF. S/N HR36101)
16	70919434	1	CAPSCREW, 5/8-11 UNC X 2 3/4
17	101100M91	1	SUPPORT WLMT, JACKSHAFT
	70921965	4	CAPSCREW, 3/8-16 X 3/4
	70917378	4	WASHER, PLAIN, 3/8
	Y704734	4	NUT, HEX FLNG TOP LOCK, 3/8-16
18	2628310W1	1	SHEAVE, SPREADER DRIVEN, JACKSHAFT
	71388748	1	SHEAVE, CHOPPER DRIVEN, JACKSHAFT (PRIOR S/N HR36101)
	70923701	6	CAPSCREW, 3/8-16 X 2 (SPREADER)
	70921324	6	CAPSCREW, 3/8-16 X 3-3/4 (CHOPPER)
	70916965	6	LOCKWASHER 3/8
	70916950	6	NUT, 3/8-16
	71406328	1	SHEAVE, CHOPPER, DRIVEN(EFF.S/N HR36101)
	339376X1	6	LOCKWASHER, M10
	3009495X1	6	CAPSCREW, M10-1.5 X 40 CL8.8
19	71387515	1	HUB, JACKSHAFT (SPREADER)
	71387515	1	HUB,JACKSHAFT,CHOPPER(PRIOR S/N HR36101)
	71406330	1	HUB,JACKSHAFT,CHOPPER (EFF. S/N HR36101)
20	354920X1	2	BEARING, BALL
21	2619180W1	1	SPACER, BEARING
22	70925997	1	RING, INTERNAL SNAP, 3-17/32 X 7/64
23	2485470W1	1	WASHER, 17/32 X 2 X 3/8
24	70923114	1	CAPSCREW, 1/2-13 UNC X 1
25	700703922	1	NUT, HEX FLANGE TOP LOCK, 5/8-11

CONTINUED

MC00044
PR: 214

9790 COMBINE
CHOPPER & SPREADER

JACKSHAFT DRIVE



9790 COMBINE
CHOPPER & SPREADER

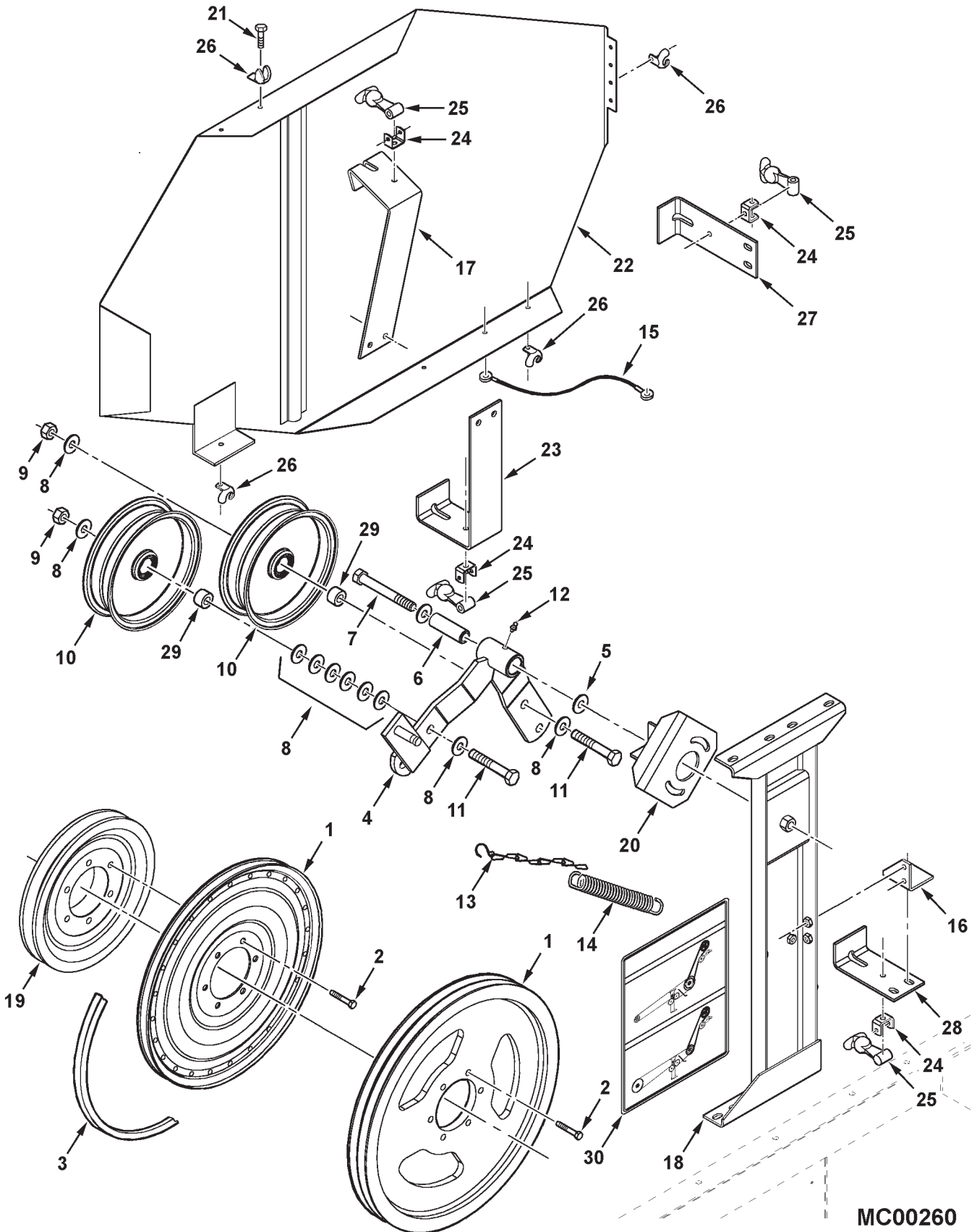
373

JACKSHAFT DRIVE

ITEM	NUMBER	QTY	DESCRIPTION
28	101074M2	1	SHIELD WLMT (PRIOR S/N HR36101)
29	101075M1	1	BRACKET, SHIELD SUPPT(PRIOR S/N HR36101)
	70921210	4	CAPSCREW, 3/8-16 X 1
	70917378	4	WASHER, PLAIN, 3/8
	70916965	4	LOCKWASHER, 3/8
	70916950	4	NUT, HEX, 3/8-16
30	102934M1	1	BRACKET (PRIOR S/N HR36101)
31	2637890W1	1	BRACKET, SHIELD (PRIOR S/N HR36101)
32	2503350W1	1	SHEAVE, SPREADER DRIVER, MAIN CNTRSHFT
	71385836	1	SHEAVE, CHOPPER DRIVER, MAIN CNTRSHFT (PRIOR S/N HR36101)
	71406327	1	SHEAVE, CHOPPER DRIVER (EFF S/N HR36101)
33	Y61879	1	KEY, SQUARE, 1/2 X 2-1/2 LG
34	70921169	1	CAPSCREW, 3/4-16 X 1-1/2 GR8
	104751W1	1	WASHER, .78 ID X 2.5 OD X 3/8
35	2619380W1	1	SPACER, MAIN COUNTERSHAFT
36	2630100W2	1	CHAIN, IDLER TENSIONER
37	71353127	1	SPACER, IDLER,CHOPPER (EFF. S/N HR36101) (NOT USED W/ SPREADER)
38	71312602	1	SPACER, IDLER,CHOPPER (EFF. S/N HR36101) (NOT USED W/ SPREADER)
40	70925094	AR	TIE, NYLON LOCKING, .184 X 7 LG

MC00044
PR: 214

STRAW CHOPPER DRIVE



**9790 COMBINE
CHOPPER & SPREADER**

375

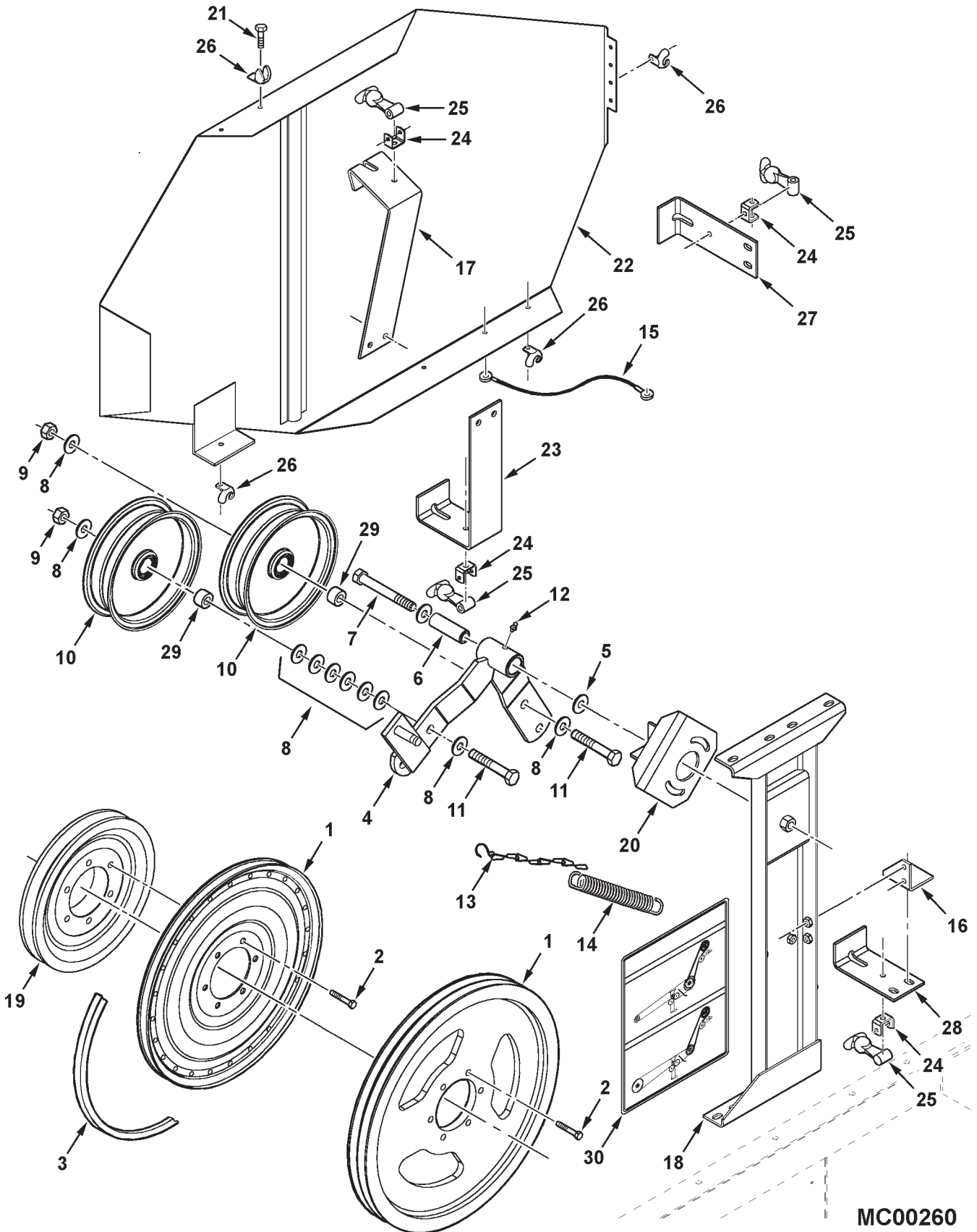
STRAW CHOPPER DRIVE

ITEM	NUMBER	QTY	DESCRIPTION
1	2628340W1	1	SHEAVE, DRIVER, 17.5 DIA (HIGH SPEED) (PRIOR S/N HR36101)
	71406332	1	SHEAVE, DRIVER, 17.5 DIA (HIGH SPEED) (EFF. S/N HR36101)
	339376X1	6	LOCKWASHER, M10
	3009495X1	6	CAPSCREW, M10-1.5 X 40 CL8.8
2	70921324	6	CAPSCREW, 3/8-16 X 3-3/4 (PRIOR HR36101)
3	71388712	1	BELT, SECONDARY DRIVE(PRIOR S/N HR36101)
	71406339	1	BELT, SECONDARY DRIVE (EFF. S/N HR36101)
4	71387307	1	ARM ASY, W/ BUSHINGS
	1689170W1	2	BUSHING, 1 ID X 3/4 LG
5	70923104	1	WASHER, .656 X 2.125 X .180
6	2441490W1	1	SLEEVE, 41/64 X 63/64 X 3-1/16
7	70925705	1	CAPSCREW, 5/8-11 X 5 GR5
	70918432	1	WASHER, WIDE, 5/8
8	70918432	17	WASHER, WIDE, 5/8 (PRIOR S/N HR36101)
9	700703922	2	NUT, HEX FLANGE TOP LOCK, 5/8-11
10	31-2455700	2	IDLER, FLAT, 8 3/4 OD
11	70925702	2	CAPSCREW, 5/8-11 X 3-1/2 GR5
12	70914465	1	LUBE FITTING, 1/8-27 PTF SPL. EXTR SHORT
13	2630100W2	1	CHAIN ASY, CHOPPER SPRING
	70925094	1	TIE, NYLON LOCKING, .184 X 7.3
14	101276M2	1	SPRING
15	112942W1	1	TETHER STRAP, 28IN.
16	71387845	1	BRACKET, SHIELD SUPPORT
	70921210	2	CAPSCREW, 3/8-16 X 1
	70916965	2	LOCKWASHER, 3/8
17	71388256	1	BRACKET, SHIELD SUPPORT
	70921210	2	CAPSCREW, 3/8-16 X 1
	Y704734	2	NUT, HEX FLNG TOP LOCK, 3/8-16
18	71387848	1	STAND WLMT, IDLER (PRIOR S/N HR36101) (SERVICE W/ 71406368)
	71406368	1	STAND WLMT, IDLER (EFF. S/N HR36101) (REQUIRES 71406364 STOP WLMT,IT. 20)
	70921969	2	CAPSCREW, 3/8-16 X 1-1/2
	70921210	2	CAPSCREW, 3/8-16 X 1
	70917378	1	WASHER, WIDE 3/8
	Y704734	4	NUT, HEX FLANGE TOP LOCK, 3/8-16
19	103316M1	1	SHEAVE, DRIVER(LOW SPEED)(PRIOR HR36101)
	71406333	1	SHEAVE, DRIVER, 9.4 DIA (LOW SPEED) (EFF. S/N HR36101)
20	101411M91	1	STOP WLMT, IDLER (PRIOR S/N HR36101)
	70921210	2	CAPSCREW, 3/8-16 X 1
	353771X1	2	WASHER, HEAVY HARD 3/8
	70916965	2	LOCKWASHER, 3/8
	71406364	1	STOP WLMT, IDLER (EFF. S/N HR36101)
	70923114	2	CAPSCREW, 1/2-13 X 1 GR5
	Y705046	2	LOCKWASHER, 1/2
	705541	2	WASHER, HARD, 1/2
21	700705088	4	SCREW, PHILLIPS HD MACH, 10-24 X 3/4
	3725830M1	4	LOCKNUT, HEX SERR FLANGE, 10-24
22	71388736	1	SHIELD ASSEMBLY

CONTINUED

MC00260
PR: 216

STRAW CHOPPER DRIVE



**9790 COMBINE
CHOPPER & SPREADER**

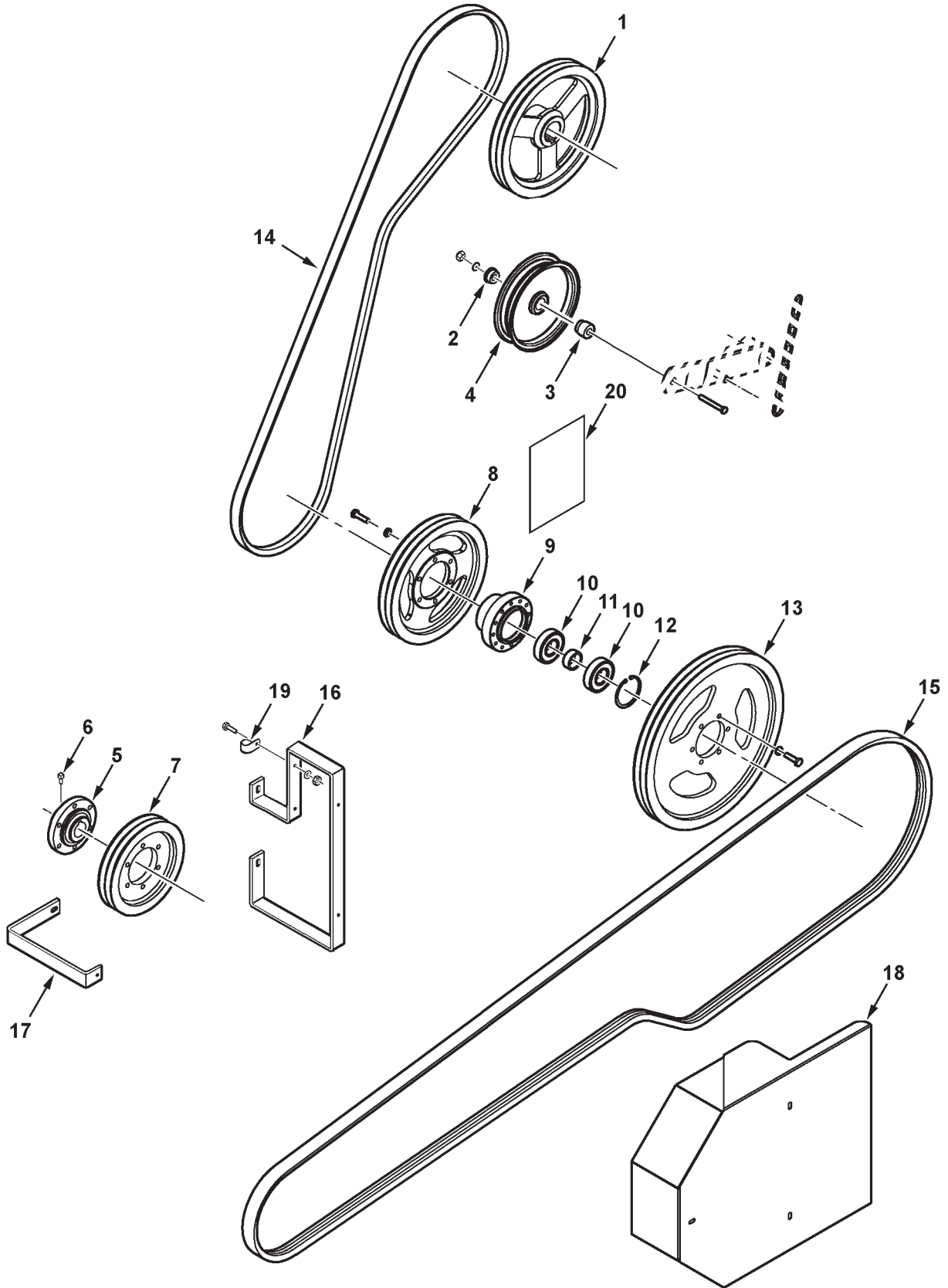
377

STRAW CHOPPER DRIVE

ITEM	NUMBER	QTY	DESCRIPTION
23	101069M1	2	BRACKET
	70921210	2	CAPSCREW, 3/8-16 X 1
	Y704734	2	NUT, HEX FLANGE TOP LOCK, 3/8-16
24	1787520W1	4	BRACKET, LATCH ANCHOR
	70921332	2	CAPSCREW, 5/16-18 X 3/4 GR5
	Y704726	2	NUT, HEX FLANGE TOP LOCK, 5/16-18
25	776682	4	LATCH, RUBBER
	Y703140	4	CAPSCREW, 1/4-20 X 1-3/4
	1703354	4	NUT, HEX FLANGE TOP LOCK, 1/4-20
26	8722910	4	CATCH, SHIELD
27	101065M1	1	BRACKET, SUPPORT
	70921210	2	CAPSCREW, 3/8-16 X 1
	Y704734	2	NUT, HEX FLANGE TOP LOCK, 3/8-16
28	101066M1	1	BRACKET, SUPPORT
	70921210	2	CAPSCREW, 3/8-16 X 1
	Y704734	2	NUT, HEX FLANGE TOP LOCK, 3/8-16
29	2451440W1	2	SPACER, IDLER (EFF. S/N HR36101)
30	71408765	1	DECAL, CHOPPER DRIVE (EFF. S/N HR36101)
-	71400071	1	KIT, STRAW CHOPPER, REDEKOP (CONVERSION OF SPREADER TO CHOPPER) (FIELD INSTALLED)(PRIOR S/N HR36101)
-	71413221	1	KIT, STRAW CHOPPER, REDEKOP (CONVERSION OF SPREADER TO CHOPPER) (FIELD INSTALLED)(EFF. S/N HR36101) (ORDER THRU DEALER CENTRAL)
-	71413228	1	KIT, DRIVE (NO CHOPPER/SPREADR OPTION ON COMBINE)(FIELD INSTALLED)(EFF. S/N HR36101)(ORDER THRU DEALER CENTRAL)

MCO0260
PR: 216

STRAW CHOPPER DRIVE KIT
HEAVY DUTY



**9790 COMBINE
CHOPPER & SPREADER**

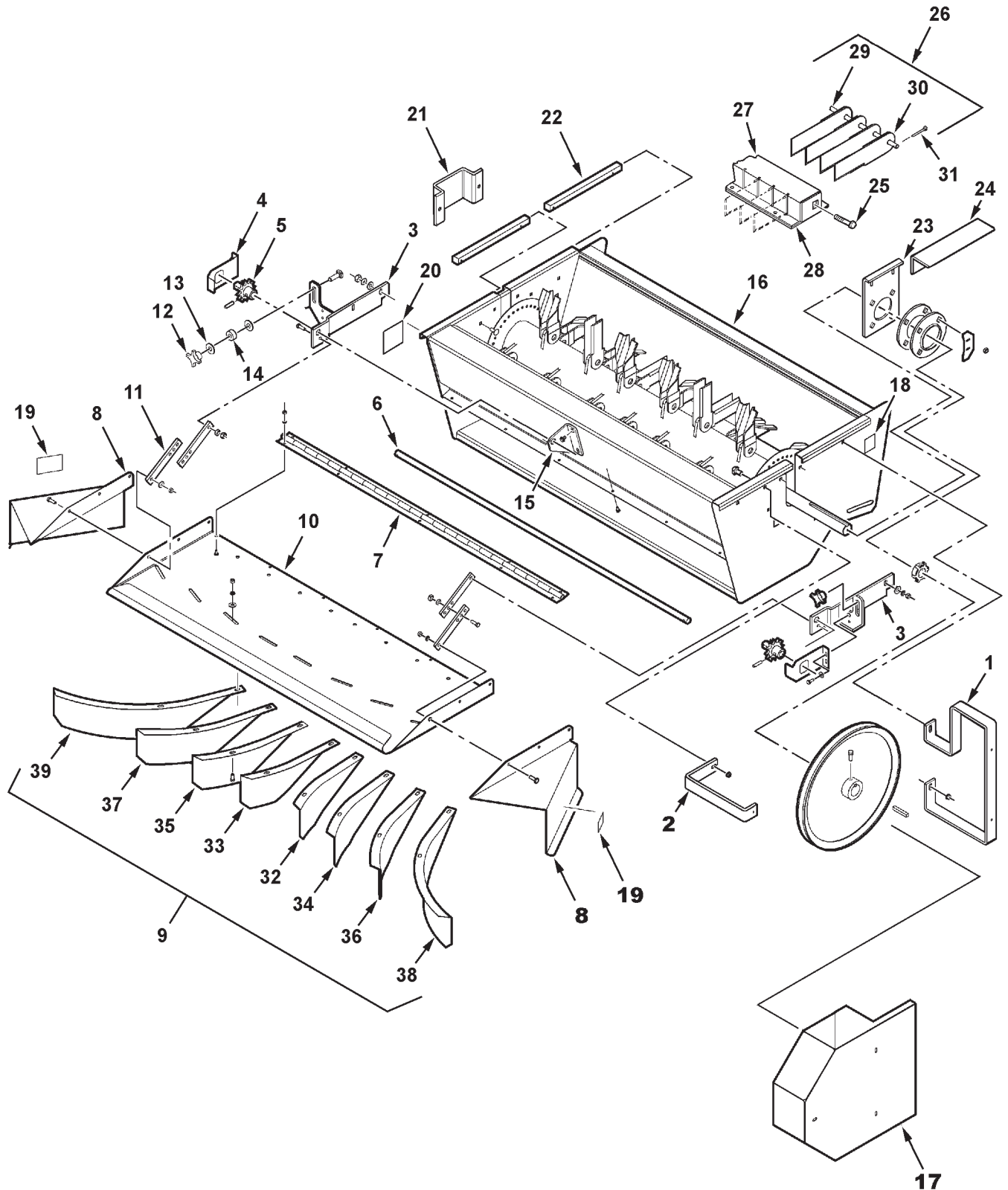
379

**STRAW CHOPPER DRIVE KIT
HEAVY DUTY**

ITEM	NUMBER	QTY	DESCRIPTION
-	700953657	AR	KIT, STRAW CHOPPER DRIVE (PRIOR S/N HR36101)
1	71406327	1	DRIVE SHEAVE, CHOPPER
2	71312602	1	SPACER, IDLER, .60 WIDE
3	71353127	1	SPACER, IDLER, 1.20 WIDE
4	71309767	1	IDLER, FLAT, 8 DIA
	70921671	1	CAPSCREW, 5/8-11 X 3-1/4 GR5
5	71406334	1	HUB, CHOPPER DRIVE
6	3009627X1	3	SETSCREW, SQ HD, M10-1.5 X 20
7	71406333	1	SHEAVE, DRIVEN, 9.4 DIA
	3001429X1	6	CAPSCREW, M10-1.5 X 35 CL8.8
	339376X1	6	LOCKWASHER, M10
8	71406328	1	SHEAVE, DRIVEN, JACKSHAFT
	3009495X1	6	CAPSCREW, M10-1.5 X 40 CL8.8
	339376X1	6	LOCKWASHER, M10
9	71406330	1	HUB, CHOPPER JACKSHAFT
10	354920X1	2	BEARING, BALL
11	2619180W1	1	SPACER, BEARING, JACKSHAFT
12	70925997	1	RING, RETAINING, INTERNAL
13	71406332	1	SHEAVE, DRIVE, 17.5 DIA, JACKSHAFT
	3009495X1	6	CAPSCREW, M10-1.5 X 40 CL8.8
	339376X1	6	LOCKWASHER, M10
14	71406361	1	BELT, PRIMARY CHOPPER DRIVE
15	71406339	1	BELT, SECONDARY CHOPPER DRIVE
16	71411984	1	BRACKET, SHIELD, FRONT
17	71409452	1	BRACKET, SHIELD, REAR
18	71409453	1	SHIELD WLDMT, CHOPPER DR.
	7703457	3	CAPSCREW, 1/4-20 X 3/4 GR5
	70917377	3	WASHER, 1/4, WIDE
	705012	3	LOCKWASHER, 1/4 REG
19	700725918	2	J-CLIP, 5/16 TUBE X .281 HOLE
	7703457	2	CAPSCREW, 1/4-20 X 3/4 GR5
	70917377	2	WASHER, 1/4, WIDE
	705012	2	LOCKWASHER, 1/4 REG
20	71408765	1	DECAL, CHOPPER BELT DRIVE

MC00392
PR: t05e26j58c0002

STRAW CHOPPER HOUSING
REDEKOP



**9790 COMBINE
CHOPPER & SPREADER**

381

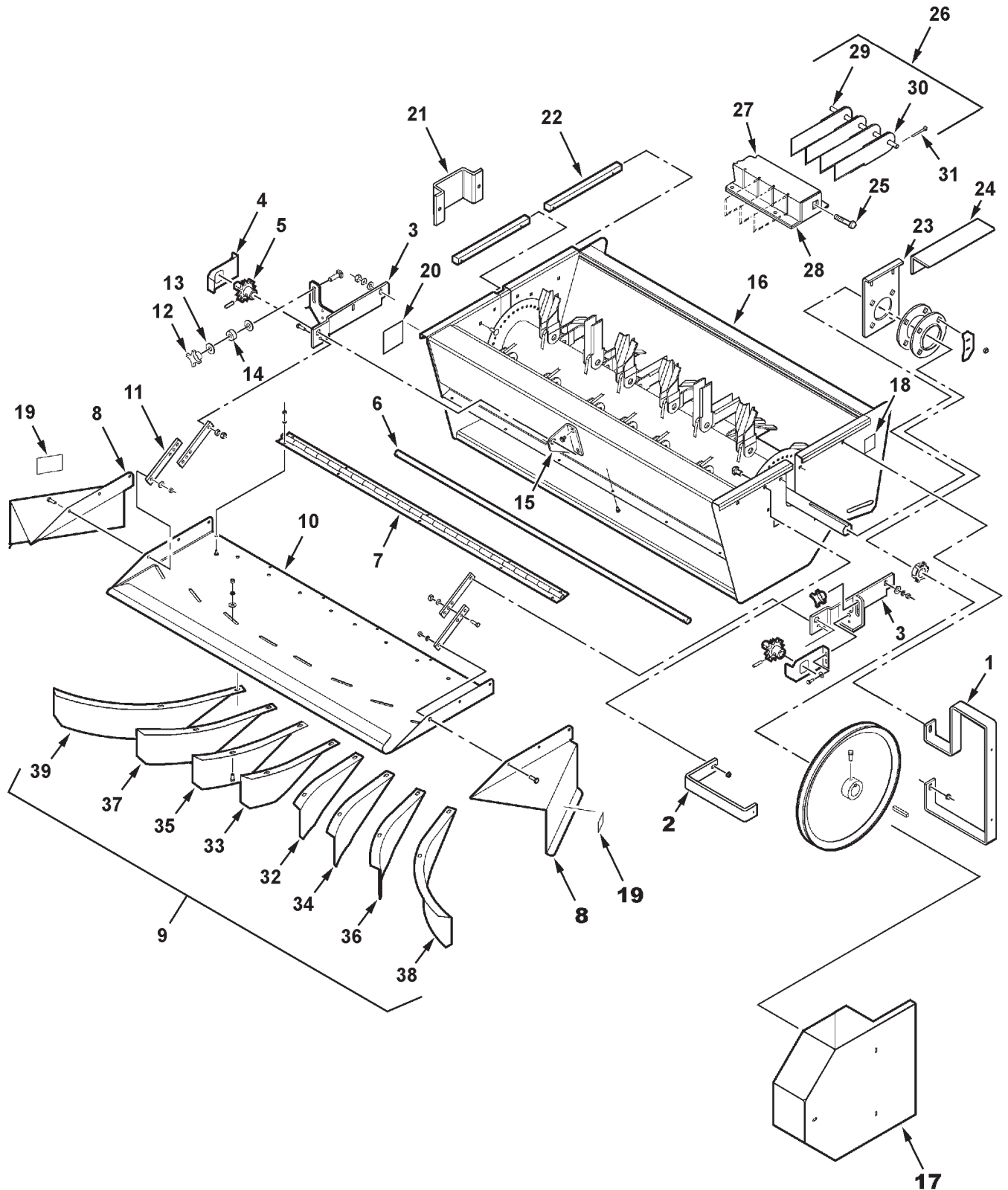
**STRAW CHOPPER HOUSING
REDEKOP**

ITEM	NUMBER	QTY	DESCRIPTION
1	116247W91	1	BRACKET, DRIVE SHIELD(PRIOR S/N HR36101)
	71411984	1	BRACKET, DRIVE SHIELD (EFF. S/N HR36101)
	70931350	2	BOLT, RD HD SQ NK, 3/8-16 X 1.0
	704247	2	LOCKNUT, HEX SERR FLANGE, 3/8-16
2	116246W91	1	BRACKET, DRIVE SHIELD(PRIOR S/N HR36101)
	71409452	1	BRACKET, DRIVE SHIELD (EFF. S/N HR36101)
	7700461	1	BOLT, RD HD SHT SQ NK, 5/16-18 X 1
	70931277	1	LOCKNUT, HEX SERR FLANGE, 5/16-18
3	71387842	1	BRACKET WLDMT, CHOP/WINDROW (RH)
	71387846	1	BRACKET WLDMT, CHOP/WINDROW (LH)
	70922786	4	BOLT, RD HD SQ NK, 3/8-16 X 1.0
	70917378	4	WASHER, FLAT 3/8
	705038	4	LOCKWASHER, 3/8
	70916950	4	HEXNUT, 3/8-16
4	71388967	2	SHIELD, SPROCKET
	7703457	4	CAPSCREW, 1/4-20 X 3/4
	700709601	4	WASHER, FLAT 1/4
	705012	4	LOCKWASHER, 1/4
	704007	4	HEXNUT, 1/4-20
5	71386195	2	SPROCKET
	70922080	2	PIN, SPIROL, 5/16 X 1-3/8
6	71389474	1	SHAFT, CHOPPER/WINDROWER
7	71389451	1	HINGE, TAILPLATE
	70921958	14	CAPSCREW, 1/4-20 X 1/2
	705012	14	LOCKWASHER, 1/4
	704007	14	HEXNUT, 1/4-20
8	71383736	1	EXTENSION, TAILPLATE (RH)
	71383737	1	EXTENSION, TAILPLATE (LH)
	70921332	4	CAPSCREW, 5/16-18 X 3/4
	70921333	2	CAPSCREW, 5/16-18 X 1.0
	Y705020	6	LOCKWASHER, 5/16
	70917372	6	HEXNUT, 5/16-18
9	71393439	1	KIT, DEFLECTOR (8 DEFLECTORS) (INCLUDES ITEMS 32-39)
	7700461	16	BOLT, RD HD SHT SQ NK, 5/16-18 X 1.0
	700709602	8	WASHER, 5/16 WIDE
	Y705020	16	LOCKWASHER, 5/16
	70917372	16	HEXNUT, 5/16-18
10	71389473	1	TAILPLATE
11	71378250	4	STRAP, TAILPLATE
	70921333	4	CAPSCREW, 5/16-18 X 1.0
	Y705020	4	LOCKWASHER, 5/16
	70917372	4	HEXNUT, 5/16-18
12	71379249	2	KNOB
	768226	2	BOLT, RD HD SQ NK, 1/2-13 X 1-3/4
13	70918431	4	WASHER, PLAIN WIDE 1/2
14	D49080090	2	WASHER, RUBBER
15	71387351	1	BRACKET, CHOP/WINDROW
	70924856	2	SCREW, HX WSH HD TAP'G 5/16-18 X 1/2

CONTINUED

MC00357
PR: 218

STRAW CHOPPER HOUSING
REDEKOP



**9790 COMBINE
CHOPPER & SPREADER**

383

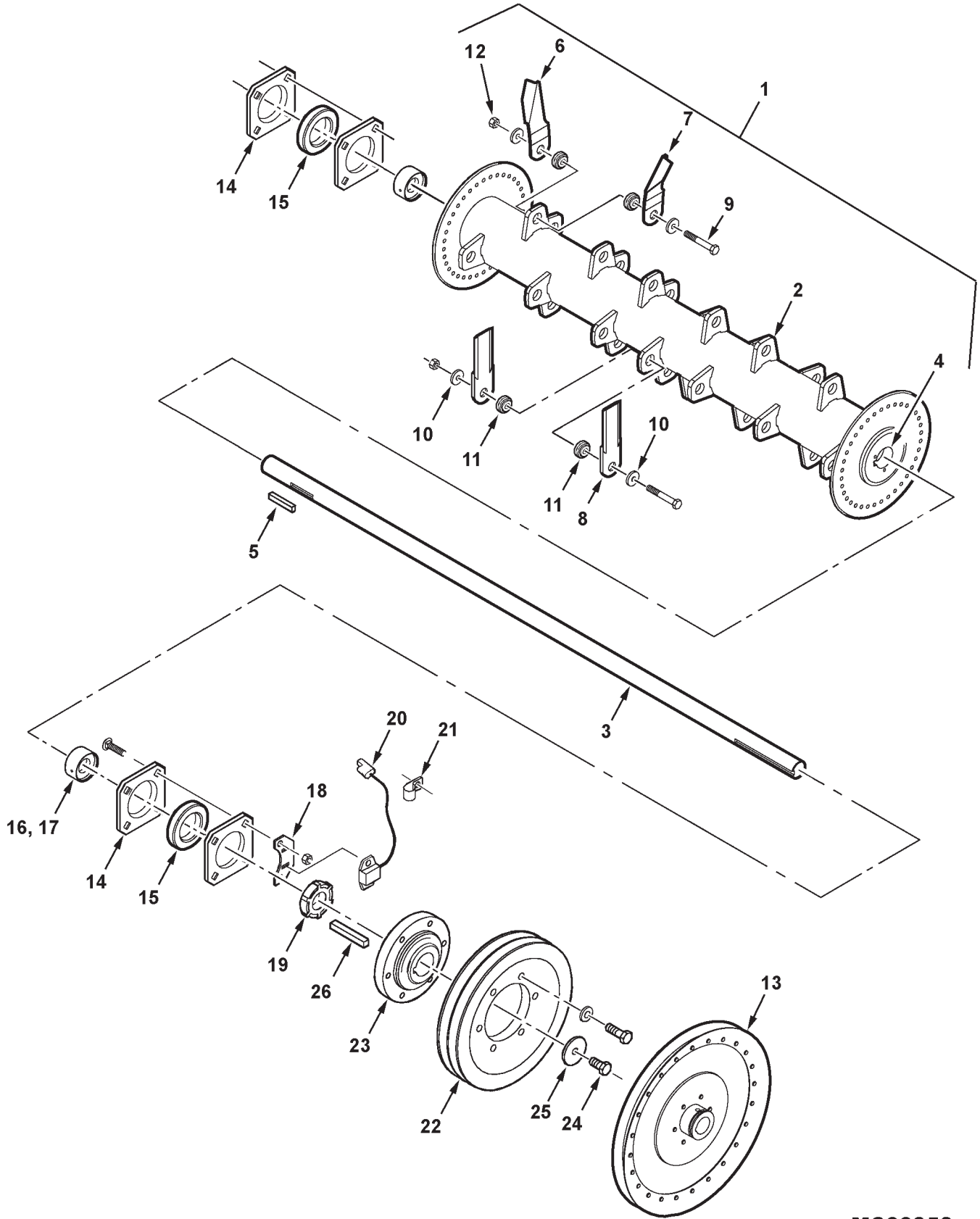
**STRAW CHOPPER HOUSING
REDEKOP**

ITEM	NUMBER	QTY	DESCRIPTION
16	71395245	1	CHOPPER HSG.& ROTOR ASY(INCL. ITS 21-31) (PRIOR S/N HR36101)
	71409833	1	CHOPPER HSG.& ROTOR ASY(INCL. ITS 21-31) (EFF. S/N HR36101)
	71395247	1	HOUSING WLMT, CHOPPER(PRIOR S/N HR36101)
	71409835	1	HOUSING WLMT, CHOPPER (EFF. S/N HR36101)
17	103342W91	1	SHIELD WLMT (PRIOR S/N HR36101)
	71409453	1	SHIELD WLMT (EFF. S/N HR36101)
	7703457	3	CAPSCREW, 1/4-20 X 3/4
	705012	3	LOCKWASHER, 1/4
	700709601	3	WASHER, 1/4, WIDE
18	111091W1	1	LABEL, DANGER
19	111737W1	2	LABEL, WARNING
20	105177W1	1	LABEL, CHOPPER KNIVES
21	116250W1	1	BRACKET, SHAFT COVER
	PZND1041V	2	BOLT, RD HD SQ NK, M8-1.25 X 20
	385361X1	2	WASHER, M8, HARD
	3019124X1	2	NUT, HEX FLANGE, M8-1.25
22	116249W1	4	RUNNER, RAIL
	70937280	8	SCREW, PAN HD TAPPING, #8-32 X 3/4
	3015159X1	8	OR, SCR, PAN HD TAPPING,#8-18 X 3/4
23	116248W91	2	PLATE, BEARING MOUNT
	PZND1041V	4	BOLT, RD HD SQ NK, M8-1.25 X 20
	385361X1	4	WASHER, M8, HARD
	3019124X1	4	NUT, HEX FLANGE, M8-1.25
24	71397989	1	BRACKET, CHOPPER (PRIOR S/N HR36101)
	71400478	1	BRACKET, STOP (EFF. S/N HR36101)
	7770456	2	BOLT, RD HD SHT SQ NK, 3/8-16 X 3/4
	704247	2	LOCKNUT, HEX SERR FLANGE, 3/8-16
	385373X1	2	OR, BOLT, RD HD SQ NK, M10-1.5 X 25
	385362X1	2	WASHER, M10 HARD
	3019125X1	2	NUT, HEX FLANGE, M10-1.5
25	68619	2	BOLT, RD HD SQ NK, 1/2-13 X 1-1/4 (PRIOR S/N HR36101)
	Y705046	2	LOCKWASHER, 1/2
	Y705624	2	WASHER, 1/2 NARROW
	704031	2	HEXNUT, 1/2-13
	385391X1	2	BOLT, RD HD SQ NK, M12-1.75 X 35 (EFF. S/N HR36101)
	3009695X1	2	NUT, HEX FLANGE, M12-1.75
	391212X1	2	WASHER, M12
26	71395249	1	KNIFE BAR ASY, CHOPPER (INCL. 27-31)
27	71398402	1	SUPPORT WLDMT, STATIONARY KNIFE
28	71398401	1	SUPPORT PLATE ASY, STATIONARY KNIFE BAR
	70930594	16	SCREW, HEX FLNG SERR, 1/4-20 X 3/4
	70931209	16	LOCKNUT, HEX FLNG SERR, 1/4-20
29	71398403	1	ROD, KNIFE BAR
30	71382269	31	KNIFE, STATIONARY
31	70918447	2	COTTER PIN, 3/32 X 3/4
32	71406951	1	DEFLECTOR, RH #1
33	71406952	1	DEFLECTOR, LH #1
34	71406953	1	DEFLECTOR, RH #2
35	71406954	1	DEFLECTOR, LH #2
36	71406970	1	DEFLECTOR, RH #3
37	71406971	1	DEFLECTOR, LH #3
38	71406972	1	DEFLECTOR, RH #4
39	71406973	1	DEFLECTOR, LH #4

MC00357
PR: 218

9790 COMBINE
CHOPPER & SPREADER

STRAW CHOPPER
ROTOR



**9790 COMBINE
CHOPPER & SPREADER**

385

**STRAW CHOPPER
ROTOR**

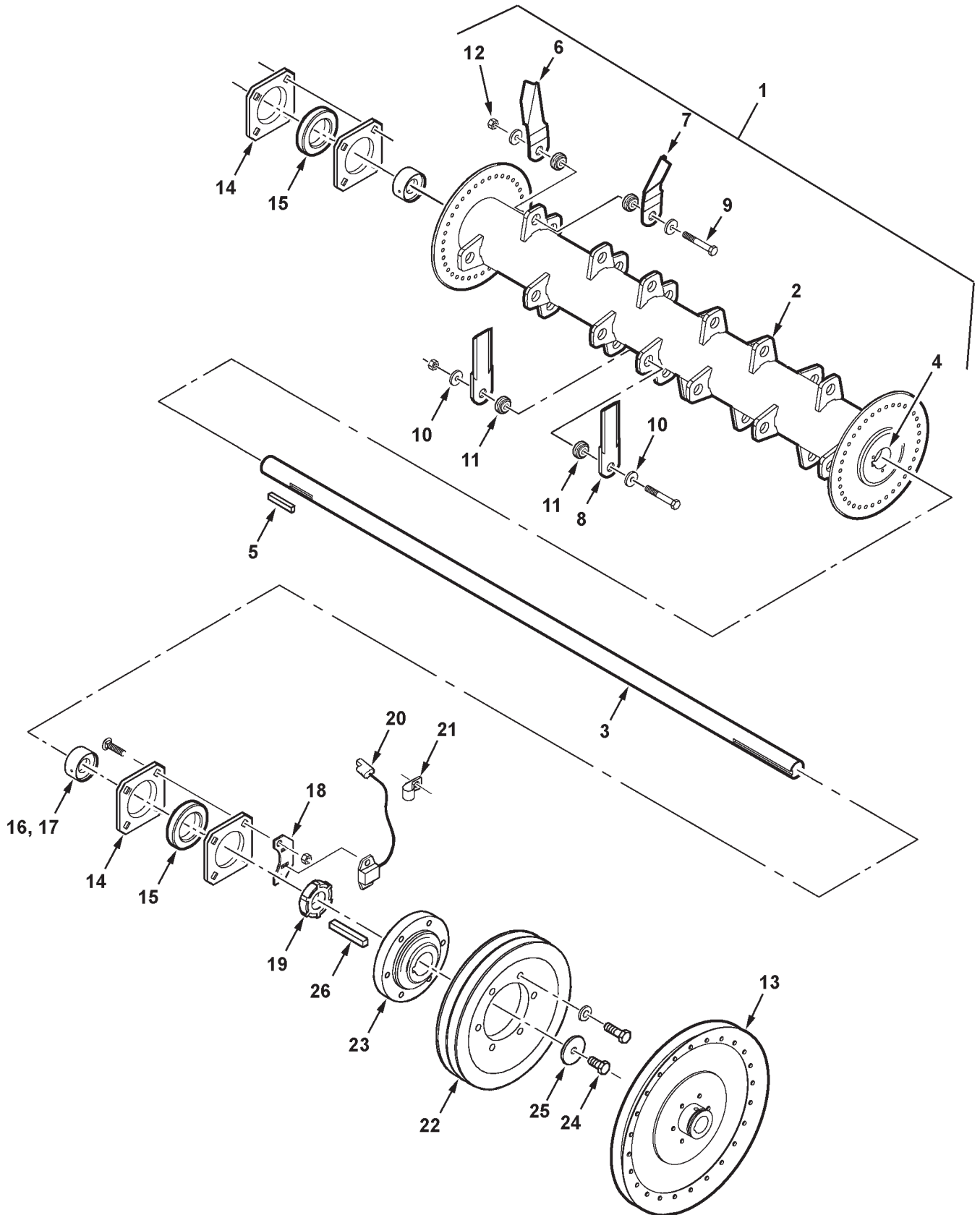
ITEM	NUMBER	QTY	DESCRIPTION
1	71395246	1	ROTOR ASY, CHOPPER (INCL. IT 2-12) (PRIOR S/N HR36101)
	71409834	1	ROTOR ASY, CHOPPER (INCL. IT 6-12) (EFF. S/N HR36101)
2	-----	1	ROTOR WLDMT, CHOPPER (ORDER ITEM 1)
3	-----	-	SHAFT, (NOT SERVICED)
4	-----	-	HUB, (NOT SERVICED)
5	-----	-	KEY, (NOT SERVICED)
6	71382758	20	BLADE, PADDLE, LEFT
7	71382759	20	BLADE, PADDLE, RIGHT
8	71395250	20	BLADE, STRAIGHT
9	70932612	30	CAPSCREW, 3/8-16 X 2-1/2 GR8 (PRIOR S/N HR36101)
	3010842X1	30	CAPSCREW, M10-1.5 X 60 CL10.9 (EFF. S/N HR36101)
10	71382256	60	WASHER, HARD, CHOPPER BLADE
11	71382257	60	BUSHING, CHOPPER BLADE
12	70919439	30	NUT, NYLON LOCK, 3/8-16 (PRIOR S/N HR36101)
	3008169X1	30	NUT, HEX LOCK, M10-1.5 (EFF.S/N HR36101)
13	116082W1	1	SHEAVE PAIR, DRIVEN (PRIOR S/N HR36101)
	2620190W1	1	KEY, SQUARE, 3/8 X 2.35 LG
	70923326	2	SETSCREW, SQ HD, 3/8 X 1
	70917421	2	JAM NUT, 3/8-16 UNC
14	7711419	2	FLANGETTE, 80MM, W/ GREASE ZERK
	7711401	2	FLANGETTE, 80MM
	70931809	6	BOLT, RD HD SQ NK, 1/2-13 X 1-1/4 (PRIOR S/N HR36101)
	70931810	2	BOLT, RD HD SQ NK, 1/2-13 X 1-3/4 (PRIOR S/N HR36101)
	Y705046	8	LOCKWASHER, 1/2
	704031	8	HEXNUT, 1/2-13
	385391X1	6	BOLT, RD HD SQ NK, M12-1.75 X 35 (EFF. S/N HR36101)
	3009340X1	2	BOLT, RD HD SQ NK, M12-1.75 X 45
	3009695X1	8	NUT, HEX FLANGE, M12-1.75
15	10970	2	BEARING, W/O COLLAR
	1720176	1	COLLAR, BEARING, 1.50 ID
16	116953W91	2	ANTI-WRAP WLDMT
17	70906852	2	SETSCREW, HEX SOCKET, 5/16-18 X 3/4
18	71315785	1	BRACKET, SENSOR
	70913744	2	JAM NUT, 1/2-13 UNC
19	71315780	1	COLLAR WLDMT, SENSING
20	71391021	1	SENSOR, 2 WIRE
	70931317	2	BOLT, RD HD SQ NK, 1/4-20 X 3/4
	705012	2	LOCKWASHER, 1/4
	70916622	2	NUT, 1/4-20 REG

CONTINUED

MC00358
PR: 222

9790 COMBINE
CHOPPER & SPREADER

STRAW CHOPPER
ROTOR



9790 COMBINE
CHOPPER & SPREADER

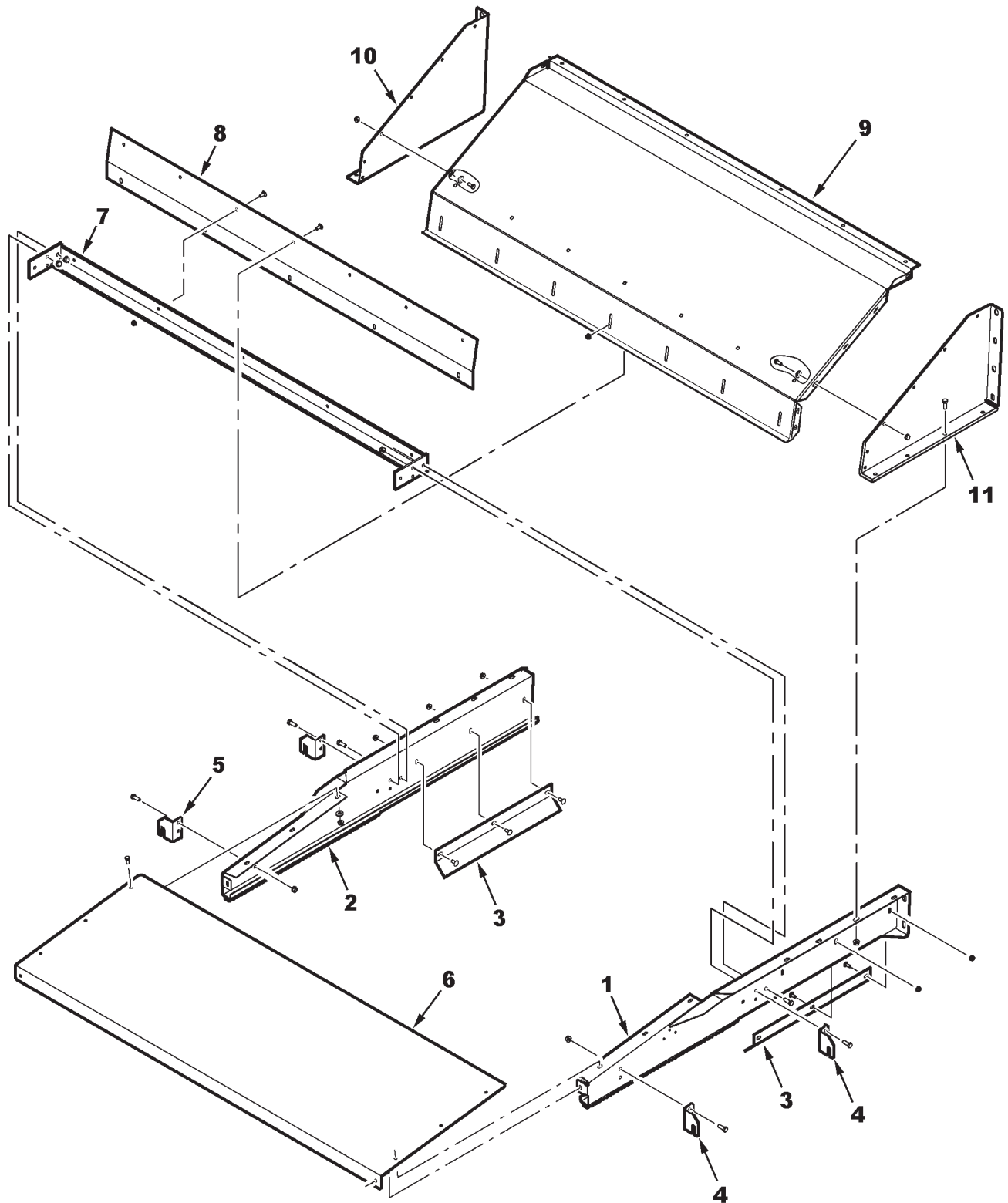
387

STRAW CHOPPER
ROTOR

ITEM	NUMBER	QTY	DESCRIPTION
21	700725918	2	J-CLIP, OPEN, 5/16 X .281 HOLE
	7703457	2	CAPSCREW, 1/4-20 X 3/4
	705012	2	LOCKWASHER, 1/4
	70917377	2	WASHER, 1/4 WIDE
22	71406333	1	SHEAVE, 9.4 DIA (HIGH SPEED) (EFF. S/N HR36101)
	71406332	1	SHEAVE, 17.5 DIA (LOW SPEED) (EFF. S/N HR36101)
	339376X1	6	LOCKWASHER, 10M
	3001429X1	6	CAPSCREW, M10-1.5 X 35 CL8.8
23	71408762	1	HUB, CHOPPER SHEAVE (EFF. S/N HR36101)
	3009627X1	2	SETSCREW, SQ HD, M10-1.5 X 20
24	700708349	1	CAPSCREW, M10-1.5 X 25 CL8.8
25	339768X1	1	WASHER, 11 X 45 X 3.5 THK (METRIC)
26	61234	1	KEY, SQ, 3/8 X 2-3/4 LG
-	71383932	-	KIT, PADDLE BLADE (INCL. 4 PDLs & HDWR) (INCL. ITEMS 6,7,9,10,11,12)
-	71383934	-	KIT, STRAIGHT BLADE (INCL. 4 BLDS & HDWR) (INCL. ITEMS 8-12)

MC00358
PR: 222

STRAW CHOPPER HOOD & SUPPORTS



9790 COMBINE
CHOPPER & SPREADER

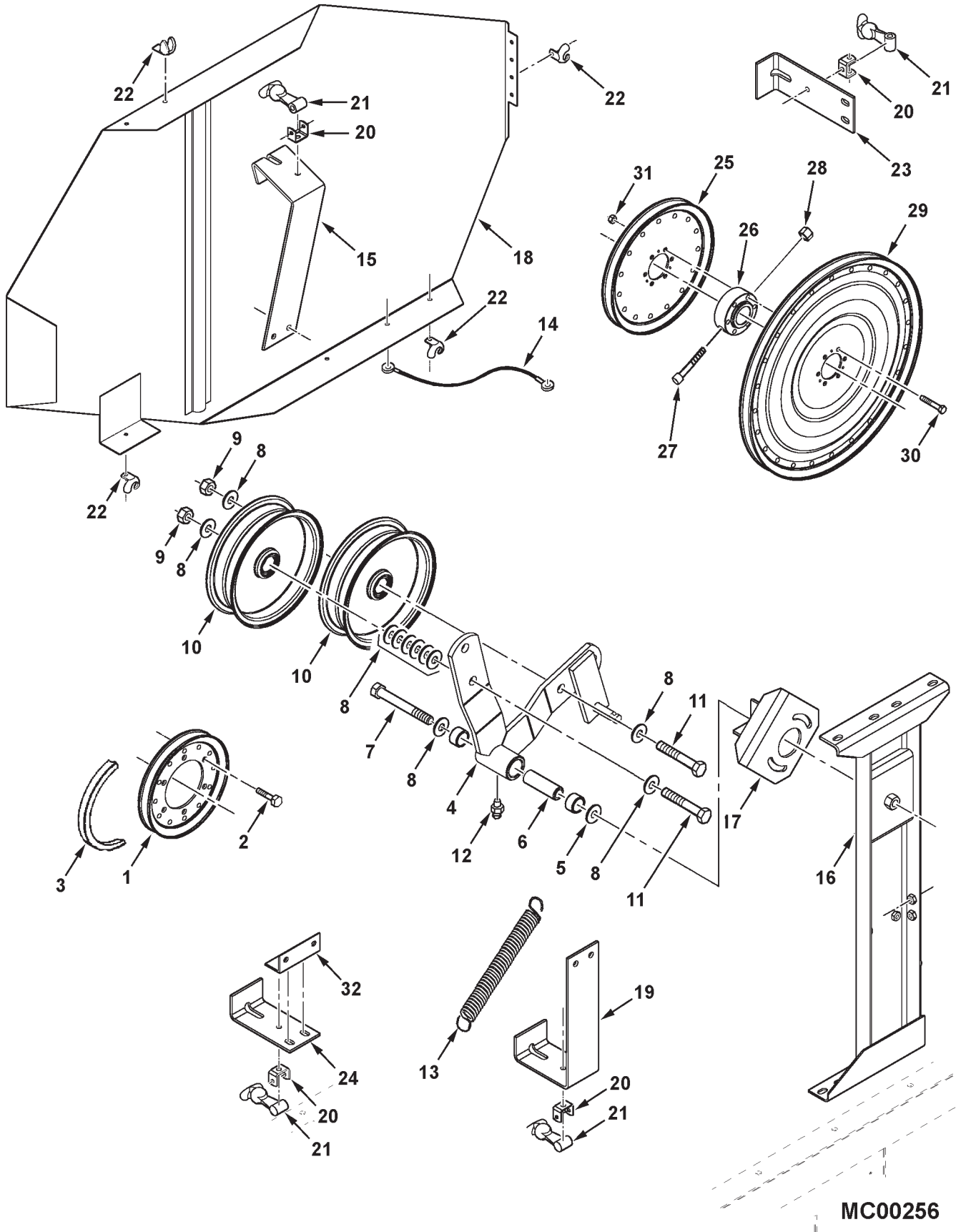
389

STRAW CHOPPER HOOD & SUPPORTS

ITEM	NUMBER	QTY	DESCRIPTION
1	71387357	1	RAIL ASY, SIDE (RH)
2	71387355	1	RAIL ASY, SIDE (LH)
	70923114	4	CAPSCREW, 1/2-13 X 1 GR5
	Y704742	4	NUT, HEX FLNG TOP LOCK, 1/2-13
3	104035W1	2	DEFLECTOR
4	71379261	2	PLATE, STOP RH
	70921210	4	CAPSCREW, 3/8-16 X 1
	Y704734	4	NUT, HFTLN 3/8-16
5	71379260	2	PLATE, STOP LH
	70921210	4	CAPSCREW, 3/8-16 X 1
	Y704734	4	NUT, HFTLN 3/8-16
6	71387801	1	PANEL, REAR
	70921332	8	CAPSCREW, HEX, 5/16-18 X 3/4
	Y704726	8	NUT, HFTLN 5/16-18
7	71376170	1	ANGLE ASSEMBLY
	70921210	8	CAPSCREW, 3/8-16 X 1
	Y704734	8	NUT, HFTLN 3/8-16
8	71376157	1	PANEL, COVER
	70921332	12	CAPSCREW, HEX, 5/16-18 X 3/4
	70917642	5	WASHER, 5/16
	Y704726	12	NUT, HFTLN 5/16-18
9	71376154	1	HOOD, TOP
	70921210	6	CAPSCREW, 3/8-16 X 1
	Y704734	6	NUT, HEX FLNG TOP LOCK, 3/8-16 (PRIOR S/N HN36101)
	70916965	6	LOCKWASHER, 3/8 (EFF S/N HN36101)
10	103339W1	1	HOOD, SIDE, LH
	70921332	6	CAPSCREW, 5/16-18 X 3/4
	70917642	6	WASHER, 5/16
	Y704726	6	NUT, HEX FLNG TOP LOCK, 5/16-18
	70921210	4	CAPSCREW, 3/8-16 X 1
	Y704734	4	NUT, HEX FLNG TOP LOCK, 3/8-16
	70923114	3	CAPSCREW, 1/2-13 X 1 GR5
	70921176	1	CAPSCREW, 1/2-13 X 1-1/4 GR5
	Y704742	4	NUT, HEX FLNG TOP LOCK, 1/2-13
11	103338W1	1	HOOD, SIDE, RH
	70921332	6	CAPSCREW, 5/16-18 X 3/4
	70917642	6	WASHER, 5/16
	Y704726	6	NUT, HEX FLNG TOP LOCK, 5/16-18
	70921210	4	CAPSCREW, 3/8-16 X 1 GR5
	Y704734	4	NUT, HEX FLNG TOP LOCK, 3/8-16
	70923114	4	CAPSCREW, 1/2-13 X 1 GR5
	Y704742	4	NUT, HEX FLNG TOP LOCK, 1/2-13

MC00261
PR: 224

STRAW SPREADER
DRIVE



**9790 COMBINE
CHOPPER & SPREADER**

391

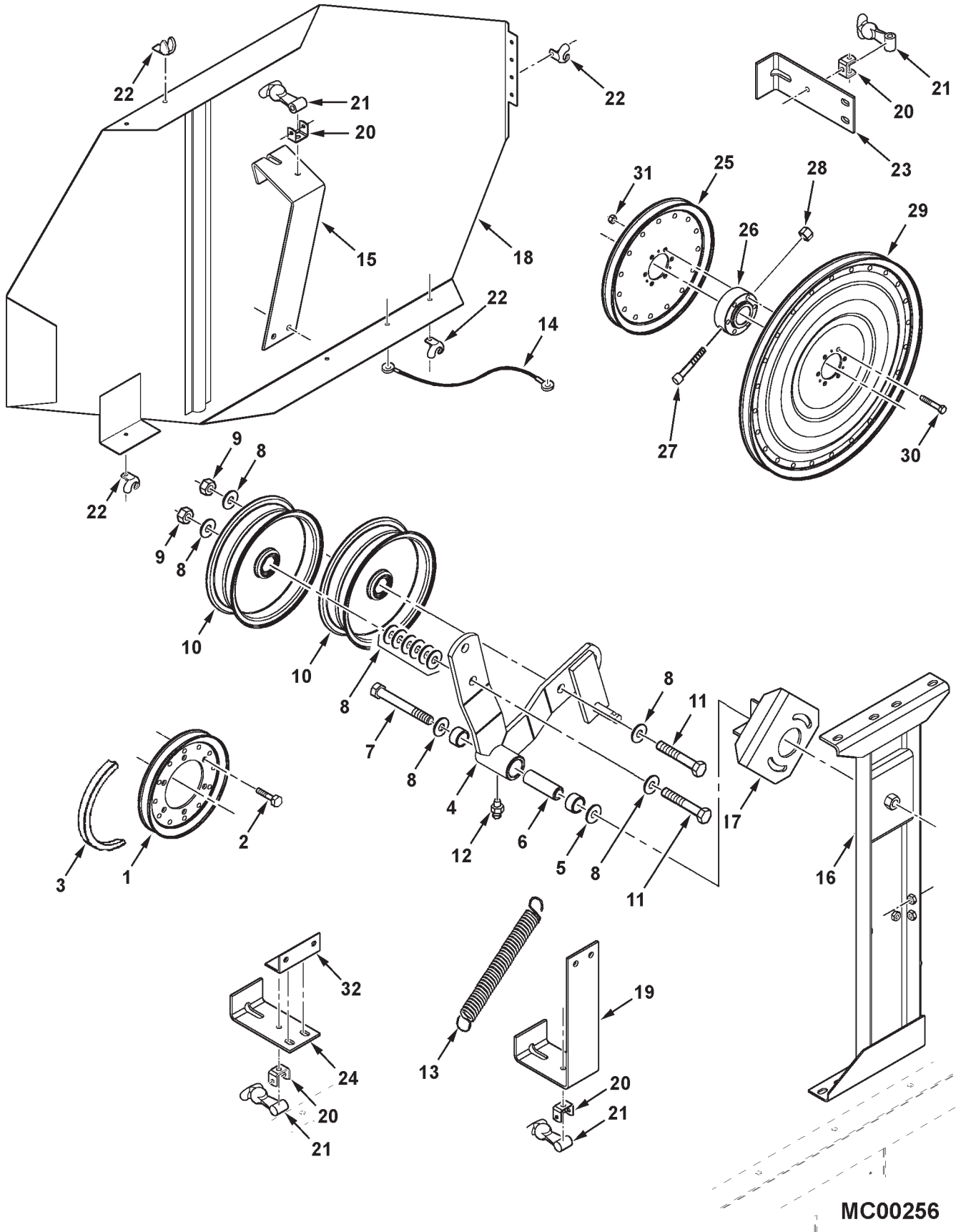
**STRAW SPREADER
DRIVE**

ITEM	NUMBER	QTY	DESCRIPTION
1	2628321W92	1	PULLEY, DRIVE
2	70923701	6	CAPSCREW, 3/8-16 X 2 GR5
	70916965	6	LOCKWASHER, 3/8
	70916950	6	NUT, 3/8-16, REG
3	1680230W1	1	BELT-SECONDARY DRIVE
4	71387307	1	ARM ASY, IDLER, W/ BUSHINGS
	1689170W1	2	BUSHING, 1 ID X 3/4 LG
5	70937480	1	WASHER, HARD, .66 X 2.25 X .165 TH
6	2441490W1	1	SLEEVE, 41/64 X 63/64 X 3-1/16
7	70925705	1	CAPSCREW, 5/8-11 X 5 GR5
8	70918432	17	WASHER, WIDE, 5/8
9	700703922	2	NUT, HEX FLANGE TOP LOCK, 5/8-11
10	31-2455700	2	IDLER, FLAT, 8-3/4 OD
11	70925702	2	CAPSCREW, 5/8-11 X 3-1/2 GR5
12	70914465	1	LUBE FITTING, 1/8-27 PTF, SPL EXTR SHORT
13	1579720W1	1	SPRING
14	112942W1	1	TETHER STRAP
15	71388256	1	BRACKET, SHIELD SUPPORT
16	71387848	1	STAND WLMT, IDLER (PRIOR S/N HR36101) (SERVICE W/ 71406368)
	71406368	1	STAND WLMT, IDLER (EFF. S/N HR36101) (REQUIRES 71406364 STOP WLMT IT. 17)
	70921210	2	CAPSCREW, 3/8-16 X 1 GR5
	70921969	2	CAPSCREW, 3/8-16 X 1-1/2 GR5
	70917378	1	WASHER, 3/8, WIDE
	Y704734	4	NUT, HEX FLANGE TOP LOCK, 3/8-16
17	101411M91	1	STOP WLMT, IDLER (PRIOR S/N HR36101)
	70921210	2	CAPSCREW, 3/8-16 X 1 GR5
	70916965	2	LOCKWASHER, 3/8
	353771X1	2	WASHER HEAVY HARD, 3/8
	71406364	1	STOP WLMT, IDLER (EFF. S/N HR36101)
	70923114	2	CAPSCREW, 1/2-13 X 1 GR5
	Y705046	2	LOCKWASHER, 1/2
	705541	2	WASHER, HARD, 1/2
18	71388736	1	SHIELD ASSEMBLY
19	101069M1	1	BRACKET
	70921210	2	CAPSCREW, 3/8-16 X 1 GR5
	Y704734	2	NUT, HEX FLANGE TOP LOCK, 3/8-16
20	1787520W1	4	BRACKET, LATCH ANCHOR
	70921332	4	CAPSCREW, 5/16-18 X 3/4 GR5
	Y704726	4	NUT, HEX FLANGE TOP LOCK, 5/16-18

CONTINUED

MCO0256
PR: 226

STRAW SPREADER
DRIVE



**9790 COMBINE
CHOPPER & SPREADER**

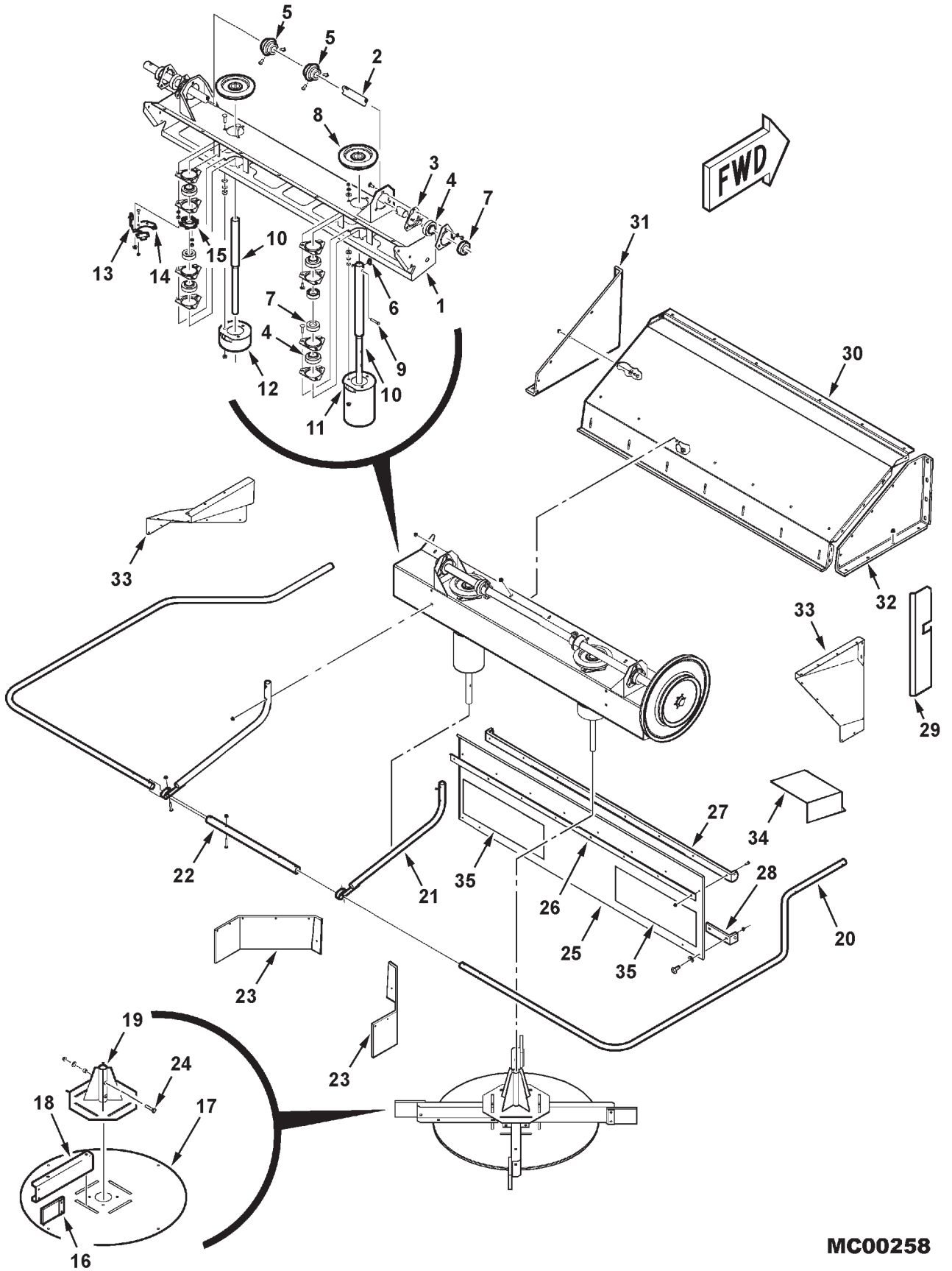
393

**STRAW SPREADER
DRIVE**

ITEM	NUMBER	QTY	DESCRIPTION
21	776682	4	LATCH, RUBBER
	70921962	4	CAPSCREW, 1/4-20 X 1-3/4 GR5
	1703354	4	NUT, HEX FLANGE TOP LOCK, 1/4-20
22	8722910	4	CATCH, SHIELD
	700705088	4	SCREW, PHILLIPS HD MACH, #10-24UNC X 3/4
	3725830M1	4	LOCKNUT, HEX SERR FLANGE, #10-24UNC
23	101065M1	1	BRACKET, SHIELD SUPPORT
	70921210	2	CAPSCREW, 3/8-16 X 1 GR5
	Y704734	2	NUT, HEX FLANGE TOP LOCK, 3/8-16
24	101066M1	1	BRACKET, SHIELD SUPPORT
	70921210	2	CAPSCREW, 3/8-16 X 1 GR5
	Y704734	2	NUT, HEX FLANGE TOP LOCK, 3/8-16
25	2631400W1	1	SHEAVE, DRIVEN, 10.00 OD
26	2573610W1	1	HUB
27	702670	1	BOLT, HEX SCKT HD, 3/8-16 X 2-3/4
28	10163	1	NUT, HEX CENTER LOCK, 3/8-16
29	2573370W1	1	SHEAVE, 16.88 OD
30	70921978	6	CAPSCREW, 5/16-18 X 2 GR5
31	Y704726	6	NUT, HEX FLANGE TOP LOCK, 5/16-18
32	71388717	1	ANGLE, SHIELD SUPPORT
	70921210	2	CAPSCREW, 3/8-16 X 1 GR5
	70916965	2	LOCKWASHER, 3/8
-	71400069	1	KIT, STRAW SPRDR, COMPLETE (PRIOR S/N HR36101)(ORDER THRU DEALER CENTRAL)
-	71413219	1	KIT, STRAW SPRDR,(CONVERSION OF CHOPPER TO SPREADER)(EFF. S/N HR36101) (ORDER THRU DEALER CENTRAL)

MC00256
PR: 226

STRAW SPREADER
COMPONENTS



**9790 COMBINE
CHOPPER & SPREADER**

395

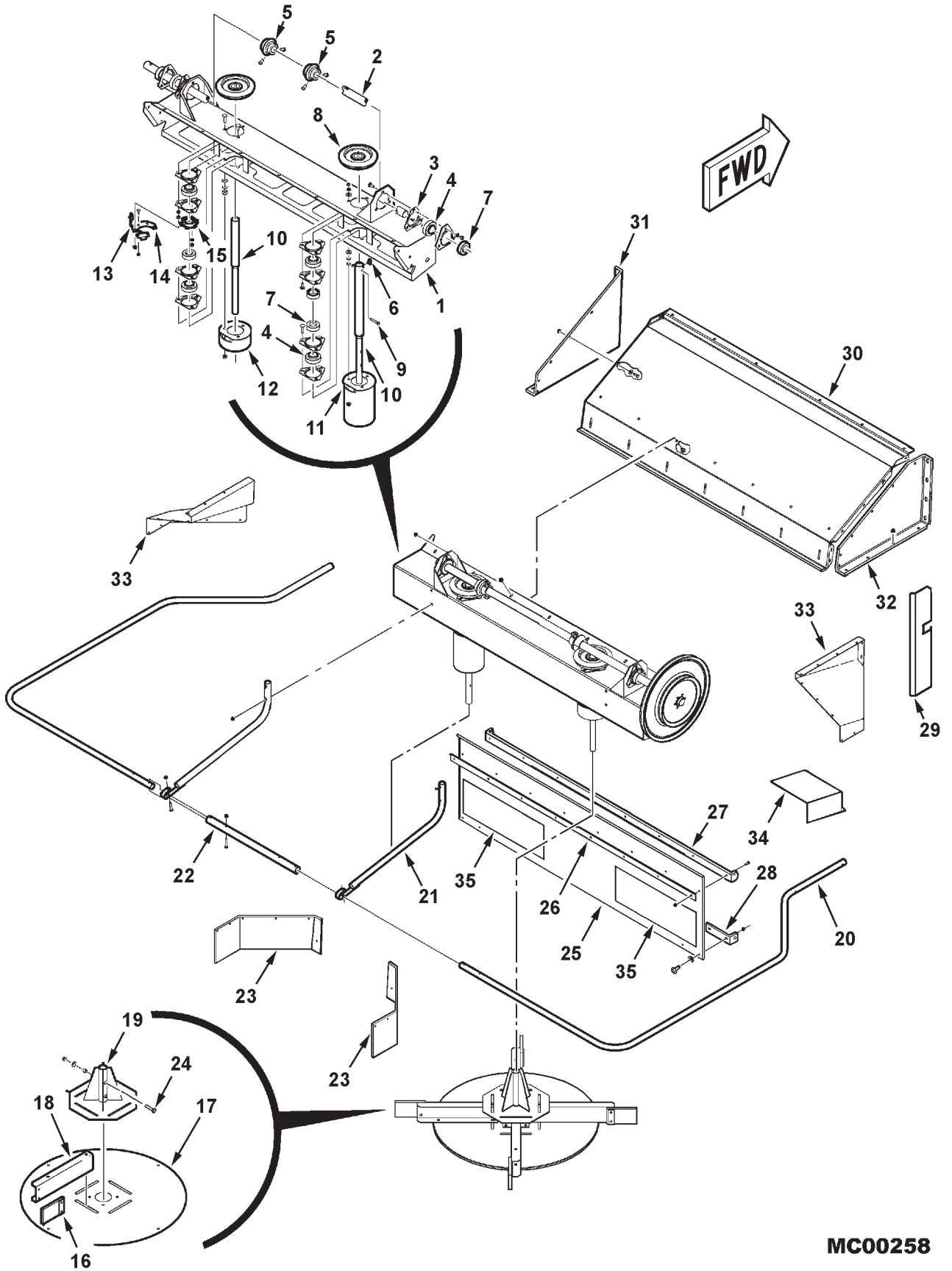
**STRAW SPREADER
COMPONENTS**

ITEM	NUMBER	QTY	DESCRIPTION
1	71391343	1	HOUSING
	70937294	1	GROMMET, RUBBER .312 X .750 X .156
	7700461	7	BOLT, RD HD SHT SQ NK, 5/16-18 X 3/4
	70921333	6	CAPSCREW, 5/16-18 X 1 GR5
	70917642	6	WASHER, 5/16 WIDE
	Y704726	13	NUT, HEX FLNG TOP LOCK, 5/16-18
2	71393384	1	SHAFT
3	71192243	12	FLANGE
	68759	10	BOLT, RHSSN, 3/8-16 X 1
	768036	8	BOLT, RHSSN, 3/8-16 X 1-1/2
	70916965	18	LOCKWASHER, 3/8
	70918266	9	WASHER, NARROW 3/8
	70916950	18	NUT, HEX 3/8-16
4	K4037	6	BEARING
5	71396226	2	GEAR, PINION 14T
	70920469	4	SETSCREW, SQ HD CUP PT, 3/8-16 X 3/4
6	70905127	2	KEY, WOODRUFF, 5/16 X 1
7	K3999	5	COLLAR, LOCK
8	71393392	2	GEAR, DRIVEN, 35T
9	7771751	2	CAPSCREW, 5/16-18 X 3
	70923362	2	NUT, HEX CNTR LOCK, 5/16-18
10	71391576	1	SHAFT, SPREADER (LEFT)
	71391577	1	SHAFT, SPREADER (RIGHT)
11	71393389	1	CAN, ANTIWRAP (LEFT)
12	71393387	1	CAN, ANTIWRAP (RIGHT)
13	71391021	1	SENSOR, ASY 2 WIRE
14	71325553	1	BRACKET, MAGNETIC PICKUP
	70931317	2	BOLT, RD HD SHT SQ NK, 1/4-20 X 3/4
	70931209	2	LOCKNUT, HEX FLNG SERR, 1/4-20
	70931209	2	LOCKNUT, HEX FLNG SERR, 3/8-16
15	71393391	1	COLLAR, SENSING
16	71341450	8	PADDLE
	71341448	8	PLATE, BACKUP
	7700578	16	BOLT, RHSN, 5/16-18 X 1
	70923362	16	LOCKNUT, HEX CTR, 5/16-18
17	71351200	2	DISK, LOWER
	70921965	8	CAPSCREW, 3/8-16 X 3/4
	70916965	8	LOCKWASHER, 3/8
	70916950	8	NUT, 3/8-16
18	71391579	8	BLADE
	7770456	16	BOLT, RHSSN, 3/8-16 X 3/4
	70917378	8	WASHER, WIDE 3/8
	70916965	8	LOCKWASHER, 3/8
	70916950	8	NUT, 3/8-16

CONTINUED

MC00258
PR: 230

STRAW SPREADER
COMPONENTS



**9790 COMBINE
CHOPPER & SPREADER**

397

**STRAW SPREADER
COMPONENTS**

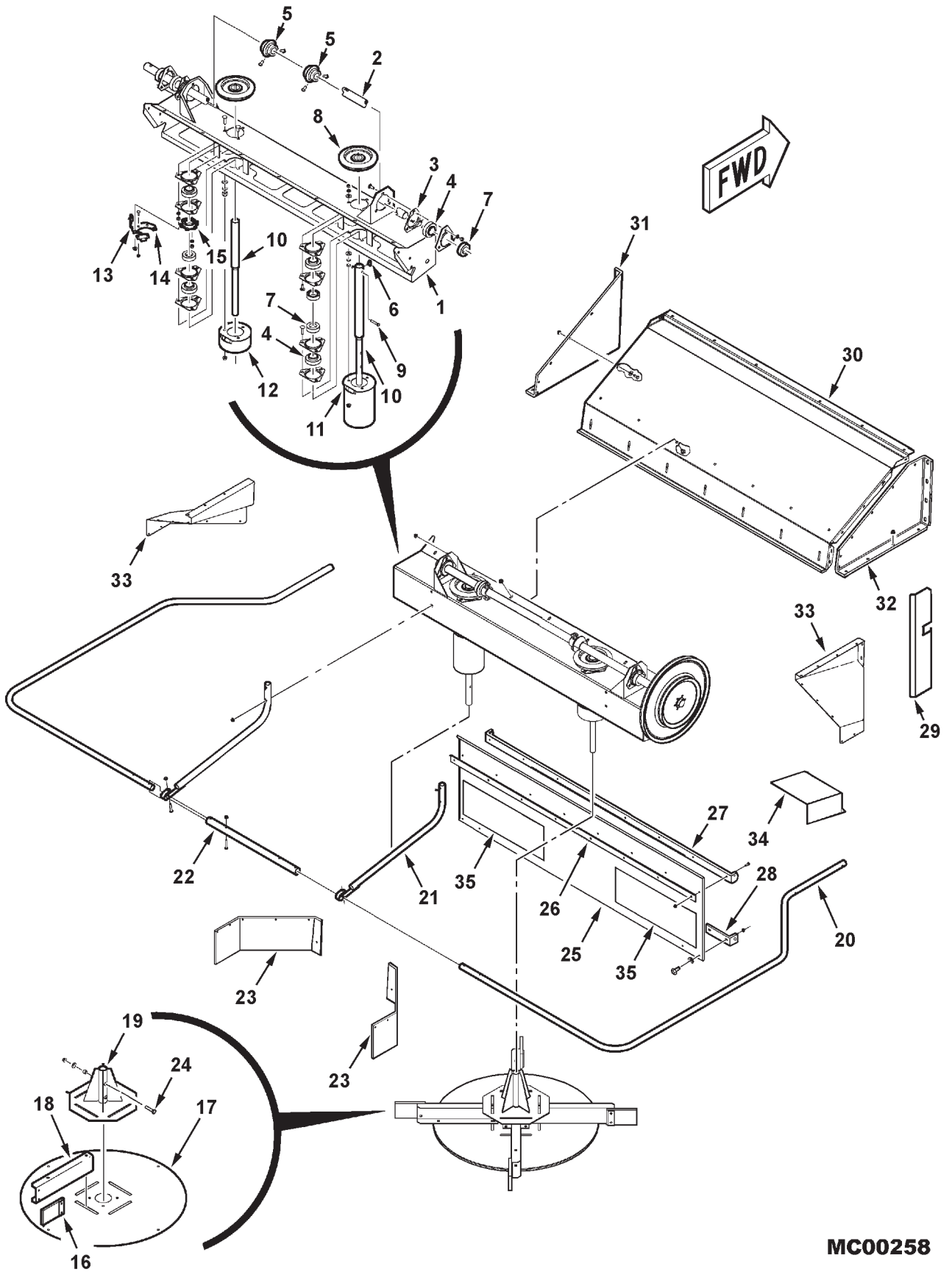
ITEM	NUMBER	QTY	DESCRIPTION
19	71407574	2	HUB WLMT, SPRDR
	7770456	8	BOLT, RHSSN, 3/8-16 X 3/4
	70917378	8	WASHER, WIDE 3/8
	70916965	8	LOCKWASHER, 3/8
	70916950	8	NUT, 3/8-16
20	2636890W1	2	PIPE, GUARD
	70922127	4	CAPSCREW, 5/16-18 X 1-3/4
	76695	8	WASHER, LARGE FENDER, 5/16
	Y704726	4	NUT, HEX FLNG TOP LK, 5/16-18
21	71391592	2	SUPPORT, GUARD
	70922127	6	CAPSCREW, 5/16-18 X 1-3/4
	Y704726	6	NUT, HEX FLNG TOP LK, 5/16-18
22	71376158	1	TUBE, GUARD CONNECTOR
	70922127	4	CAPSCREW, 5/16-18 X 1-3/4
	Y704726	4	NUT, HEX FLNG TOP LK, 5/16-18
23	71398421	2	CURTAIN, SIDE
	70921332	12	CAPSCREW, 5/16-18 X 3/4
	70917642	12	WASHER, 5/16
	Y704726	12	NUT, HEX FLNG TOP LOCK, 5/16-18
24	7701634	4	CAPSCREW, 3/8-16 X 2
	71345898	4	SPACER, HUB
	70917378	4	WASHER, 3/8
	Y704734	4	NUT, HEX FLANGE TOP LOCK, 3/8-16
25	71395236	1	CURTAIN, CNTR
26	71395233	1	CURTAIN, ANGLE CNTR
27	71393394	1	HANGER, CURTAIN CNTR
	7703457	8	CAPSCREW, 1/4-20 X 3/4
	1703354	8	NUT, HEX FLNG TOP LK, 1/4-20
	70921333	4	CAPSCREW, 5/16-18 X 1
	Y705608	8	WASHER, NARROW, 5/16
	Y704726	4	NUT, HEX FLNG TOP LK, 5/16-18
28	71395234	2	BRACKET, LOWER CURTAIN
	7703457	4	CAPSCREW, 1/4-20 X 3/4
	70917377	4	WASHER, WIDE 1/4
	1703354	4	NUT, HEX FLNG TOP LK, 1/4-20
	98-2107	2	PIN, COTTER .148
29	71398424	1	SHIELD, BELT
30	71376154	1	HOOD, TOP
	70921210	6	CAPSCREW, 3/8-16 X 1 GR5
	Y704734	6	NUT, HEX FLNG TOP LOCK, 3/8-16 (PRIOR S/N HN36101)
	70916965	6	LOCKWASHER, 3/8 (EFF. S/N HN36101)

CONTINUED

MC00258
PR: 230

9790 COMBINE
CHOPPER & SPREADER

STRAW SPREADER
COMPONENTS



**9790 COMBINE
CHOPPER & SPREADER**

399

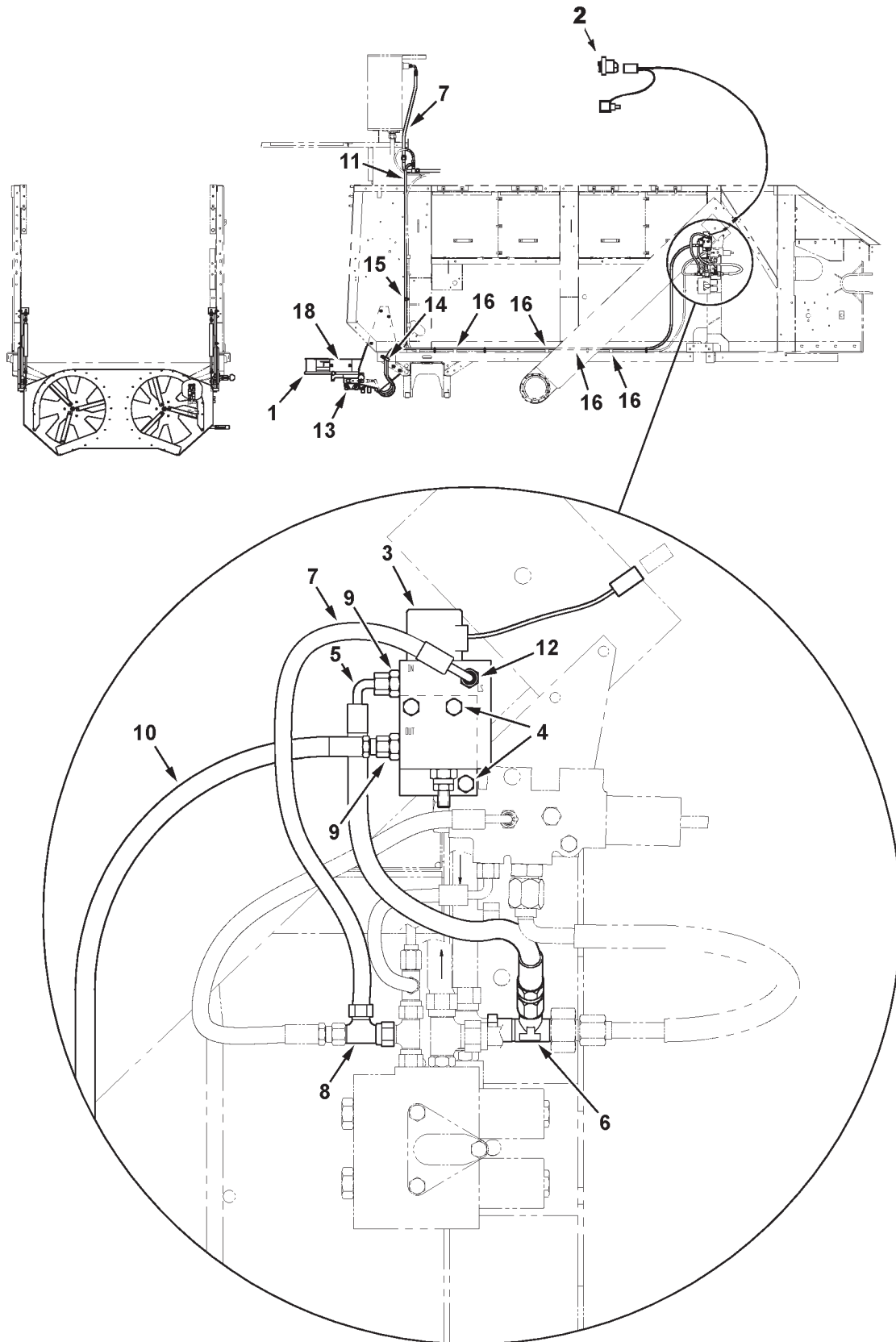
**STRAW SPREADER
COMPONENTS**

ITEM	NUMBER	QTY	DESCRIPTION
31	103339W1	1	HOOD SIDE, LEFT (REKORD)
	70921210	4	CAPSCREW, HEX, 3/8-16 X 1
	Y704734	4	NUT, HFTLN 3/8-16
	70921332	3	CAPSCREW 5/16-18 X 3/4
	70917642	3	WASHER, 5/16 WIDE
	Y704726	3	NUT, HEX FLNG TOP LOCK, 5/16-18
	70923114	3	CAPSCREW, 1/2-13 X 1 GR5
	70921176	1	CAPSCREW, 1/2-13 X 1-1/4 GR5
	Y704742	4	NUT, HEX FLNG TOP LOCK, 1/2-13
32	103338W1	1	HOOD SIDE, RIGHT (REKORD)
	70921210	4	CAPSCREW, 3/8-16 X 1
	Y704734	4	NUT, HFTL, 3/8-16
	70921332	3	CAPSCREW, 5/16-18 X 3/4
	70917642	3	WASHER, 5/16 WIDE
	Y704726	3	NUT, HEX FLNG TOP LOCK, 5/16-18
	70923114	4	CAPSCREW, 1/2-13 X 1 GR5
	Y704742	4	NUT, HEX FLNG TOP LOCK, 1/2-13
33	71397350	1	EXTENSION, CURTAIN (RH) (REVISED)
	71397349	1	EXTENSION, CURTAIN (LH) (REVISED)
	70921210	4	CAPSCREW, HEX, 3/8-16 X 1
	70917378	4	WASHER, WIDE PLAIN 3/8
	Y704734	4	NUT, HEX FLNG TOP LOCK, 3/8-16
34	71398420	1	SHIELD, SPREADER DRIVE SHEAVE
	70921210	2	CAPSCREW, HEX, 3/8-16 X 1
	Y704734	2	NUT, HEX FLANGE TOP LOCK, 3/8-16
35	71409848	2	SHEET, WEAR (EFF. S/N HR36101)
	7703457	16	CAPSCREW, 1/4-20 X 3/4
	1703354	16	NUT, HEX FLANGE TOP LOCK, 1/4-20
-	2631700W1	1	DECAL, FAST (NOT SHOWN)
-	2631690W1	1	DECAL, SLOW (NOT SHOWN)

MCO0258
PR: 230

9790 COMBINE
CHOPPER & SPREADER

CHAFF SPREADER
HYDRAULIC DRIVE
(PRIOR S/N HS36101)



**9790 COMBINE
CHOPPER & SPREADER**

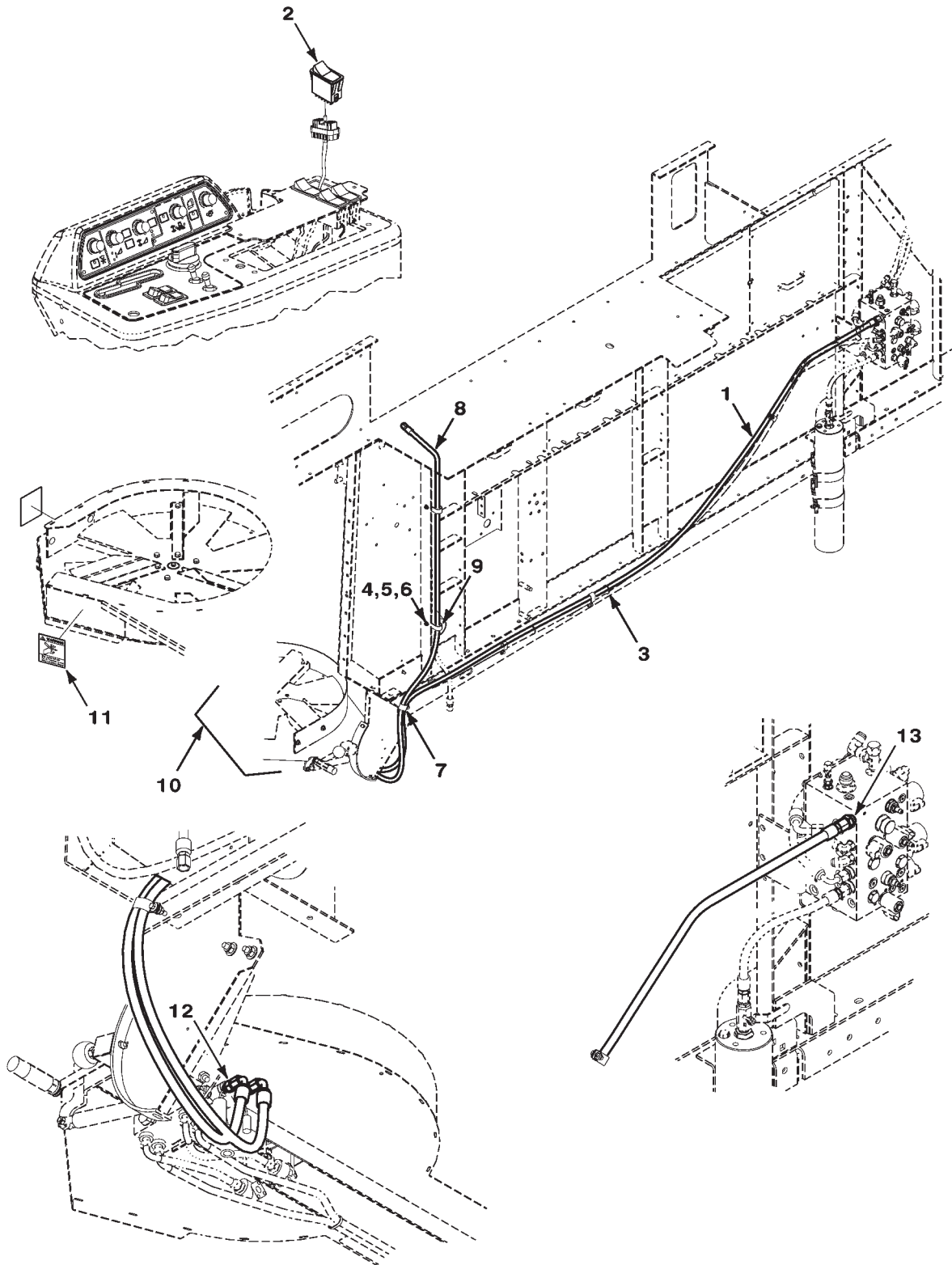
401

**CHAFF SPREADER
HYDRAULIC DRIVE
(PRIOR S/N HS36101)**

ITEM	NUMBER	QTY	DESCRIPTION
1	-----	1	CHAFF SPREADER ASSEMBLY (REKORD) (SERVICE WITH COMPONENTS)
2	71390101	1	SWITCH
3	71387798	1	VALVE, FLOW CONTROL (INCL. FOLLOWING)
	71389740	1	VALVE ASY., SOLENOID CARTRIDGE
	700726978	AR	SEAL KIT (FOR 71389740)
	71389741	1	COIL, 12V DC, W/DIODE
	71389742	1	VALVE CARTRIDGE, FLOW REGULATOR
	700724693	AR	SEAL KIT (FOR 71389742)
	71389743	1	CHECK VALVE
	700726979	AR	SEAL KIT (FOR 71389743)
	71397493	1	LOCK KIT, VALVE, W/ SCREW
4	71388098	1	PLATE, MOUNTING
	70921978	2	CAPSCREW, HEX 5/16-18 X 2
	70917372	2	NUT, HEX 5/16-18
	70917356	2	LOCKWASHER 5/16
5	71388099	1	HOSE ASSEMBLY, SUPPLY
6	70921298	1	TEE, SWIVEL RUN, 3/4-16 JIC
7	101590M1	1	HOSE ASSEMBLY
8	700701355	1	TEE, SWIVEL RUN
9	70922522	2	CONNECTOR, STR, 9/16-18 JIC X ORB
	70921885	2	O-RING, .078 X .468 ID
10	71388100	1	HOSE ASY, PRESSURE
11	71388826	1	HOSE ASY, RETURN
12	70923163	1	CONNECTOR, STR, 7/16-20 JIC X ORB
	70921883	1	O-RING, .072 X .351 ID
13	71388056	2	CONN, STR, 1/4 BSPP X 9/16-18 JIC MALE
14	700717627	1	CLAMP, DOUBLE LINE, 11/16 X .406 HOLE
	70921210	1	CAPSCREW, 3/8-16 X 1
	70916950	1	NUT, HEX 3/8-16
	70916965	1	LOCKWASHER, 3/8
15	70928656	1	CLAMP, LINE, 5/8 DIA X .406 HOLE
	70921210	1	CAPSCREW, 3/8-16 X 1
	70916950	1	NUT, HEX 3/8-16
	70916965	1	LOCKWASHER, 3/8
16	70937133	4	NYLON TIE, .30 X 15 LG
18	111737W1	3	LABEL, WARNING, CHOPPER
-	71399027	1	KIT, CHAFF SPREADER (FIELD INSTALL) (ORDER THRU DEALER CENTRAL)

MC00263
PR: 234

CHAFF SPREADER
HYDRAULIC DRIVE
(EFF. S/N HS36101)



9790 COMBINE
CHOPPER & SPREADER

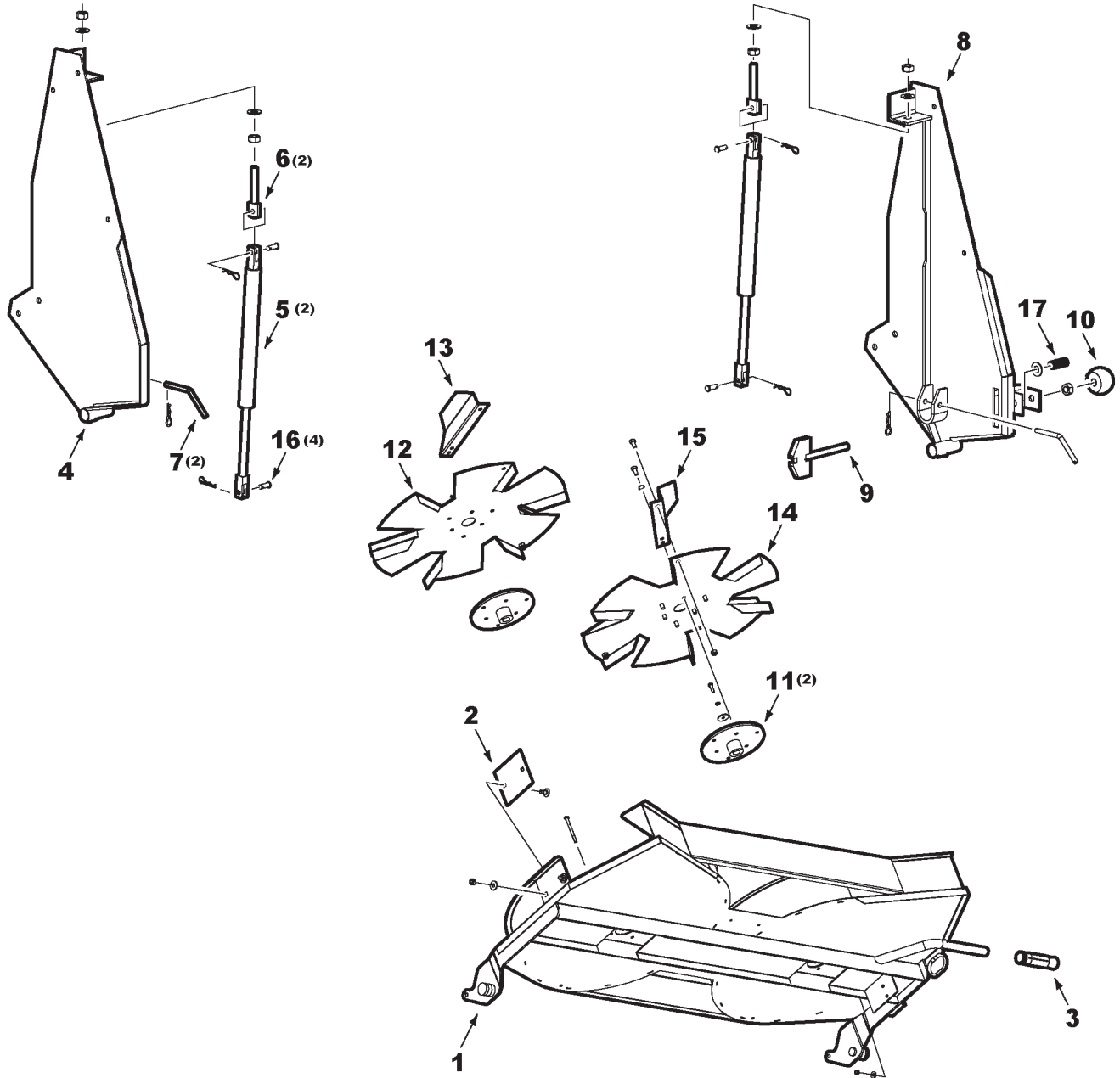
403

CHAFF SPREADER
HYDRAULIC DRIVE
(EFF. S/N HS36101)

ITEM	NUMBER	QTY	DESCRIPTION
1	71388100	1	HOSE ASY, SUPPLY PRESSURE
2	71390101	1	SWITCH, ON/OFF
3	70937133	4	TIE, NYLON LOCKING, .30 X 14.5 LG
4	70921210	2	CAPSCREW, 3/8-16 X 1.0
5	70916965	2	LOCKWASHER, 3/8
6	70916950	2	NUT, 3/8-16 REG
7	700717627	1	CLAMP, DOUBLE LINE, 11/16 X .406 HOLE
8	71388826	1	HOSE ASY, RETURN
9	70928656	1	CLAMP, LINE, 5/8 DIA X .406 HOLE
10	-----	1	CHAFF SPREADER ASSEMBLY (REKORD) (SERVICE WITH COMPONENTS)
11	111737W1	3	LABEL, WARNING, CHOPPER
12	71388056	2	CONN, STR, 1/4 BSPP X 9/16-18 JIC MALE
13	360202X91	1	CONN, STR, 9/16-18 JIC X 3/4-16 ORB M
	70921349	1	O-RING, .087 X .644 ID
-	71413223	AR	KIT, CHAFF SPREADER (FIELD INSTALL) (ORDER THRU DEALER CENTRAL)

MC00573
PR: 71413222-01-11

CHAFF SPREADER
FAN HOUSING, REKORD
(PRIOR S/N HS36101)



**9790 COMBINE
CHOPPER & SPREADER**

405

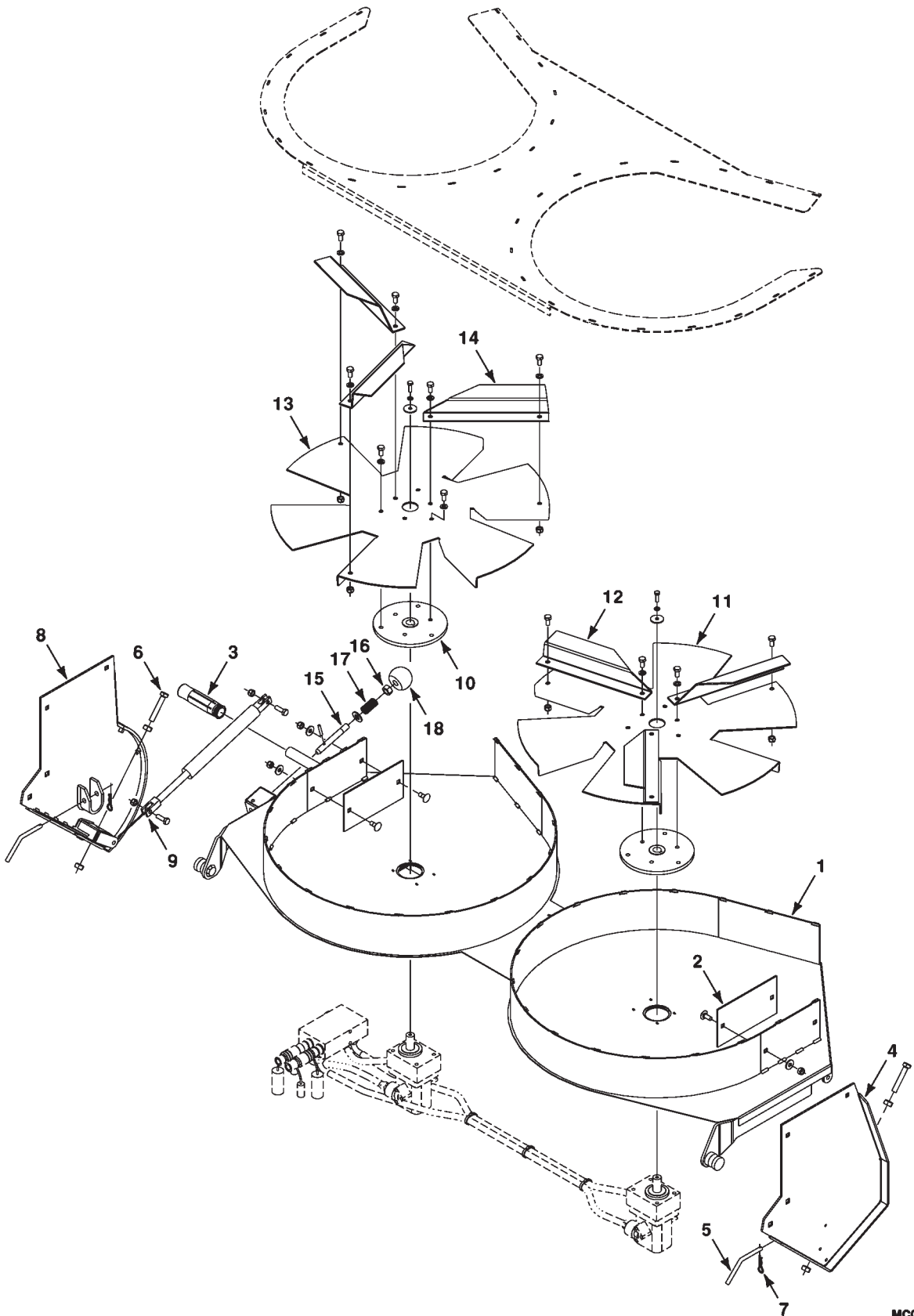
**CHAFF SPREADER
FAN HOUSING, REKORD
(PRIOR S/N HS36101)**

ITEM	NUMBER	QTY	DESCRIPTION
-	71397992	1	FAN HSG. ASY (INCL ITEMS 1,2,3,11,12,13 14,15 & HYD COMPNTS ON FOLL'NG PAGE)
1	71397174	1	HOUSING WLMT, SPREADER
2	71397167	2	WEAR PLATE
	385368X1	4	BOLT,RHSN, M8-1.25 X 16 CL8.8
	1440921X1	4	WASHER, M8
	3000193X1	4	NUT, HEX NYLON LOCK, M8 X 1.25
3	71389997	1	GRIP, PLASTIC
4	71397394	1	SUPPORT PLATE WLMT, LH
	7772197	3	CAPSCREW, M8 X 25 LG
	1440921X1	6	WASHER, 8 MM
	3019124X1	3	LOCKNUT, M8
	700708349	2	CAPSCREW, M10 X 25 LG
	339025X1	4	WASHER, 10 MM
	1441932X1	2	LOCKNUT, M10
5	71390260	2	GAS STRUT
6	D49080047	2	YOKE, ADJUSTMENT
	390735X1	4	WASHER, M12, STD
	3009695X1	4	NUT, M12
7	71390259	2	PIN, BENT, SPECIAL
	70933339	2	RETAINER PIN, .094 X 1.62 LG
8	71397393	1	SUPPORT PLATE WLMT, RH
	7772197	3	CAPSCREW, M8 X 25 LG
	1440921X1	6	WASHER, 8 MM
	3019124X1	3	LOCKNUT, M8
	700708349	2	CAPSCREW, M10 X 25 LG
	339025X1	4	WASHER, 10 MM
	1441932X1	2	LOCKNUT, M10
9	71397391	1	LOCK
	391290X1	1	PIN, SPRING, 5 MM X 30 LG
	3009695X1	1	NUT, M12-1.75
	390735X1	1	WASHER, M12, STD
10	71397390	1	KNOB
11	D49070008	2	HUB
	70950002	2	CAPSCREW, M6-1.0 X 20
	339375X1	2	LOCKWASHER, M6
	391038X1	2	WASHER, M6, LARGE
12	71397171	1	DISC, LH
	339124X1	6	CAPSCREW, M8-1.25 X 16 CL8.8
	353446X1	5	LOCKWASHER
	3019124X1	5	NUT, LOCK M8
13	71397376	3	BLADE, SPREADER LH
	339124X1	3	CAPSCREW, M8-1.25 X 16 CL8.8
	3019124X1	3	NUT, LOCK M8
14	71397172	1	DISC, RH
	339124X1	6	CAPSCREW, M8-1.25 X 16 CL8.8
	353446X1	5	LOCKWASHER
	3019124X1	5	NUT, LOCK M8
15	71397377	3	BLADE, SPREADER RH
	339124X1	3	CAPSCREW, M8-1.25 X 16 CL8.8
	3019124X1	3	NUT, LOCK M8
16	70923093	4	PIN, CLEVIS, 5/16 X 15/16 LG
	70923086	4	RETAINER PIN, .072 X 1.09 LG
17	71397392	1	SPRING
-	71379811	2	DECAL, WARNING (NOT ILLUSTRATED)
-	D49100159	2	DECAL, STOP (NOT ILLUSTRATED)

MC00262
PR: 236

9790 COMBINE
CHOPPER & SPREADER

CHAFF SPREADER
FAN HOUSING, REKORD
(EFF. S/N HS36101)



**9790 COMBINE
CHOPPER & SPREADER**

407

**CHAFF SPREADER
FAN HOUSING, REKORD
(EFF. S/N HS36101)**

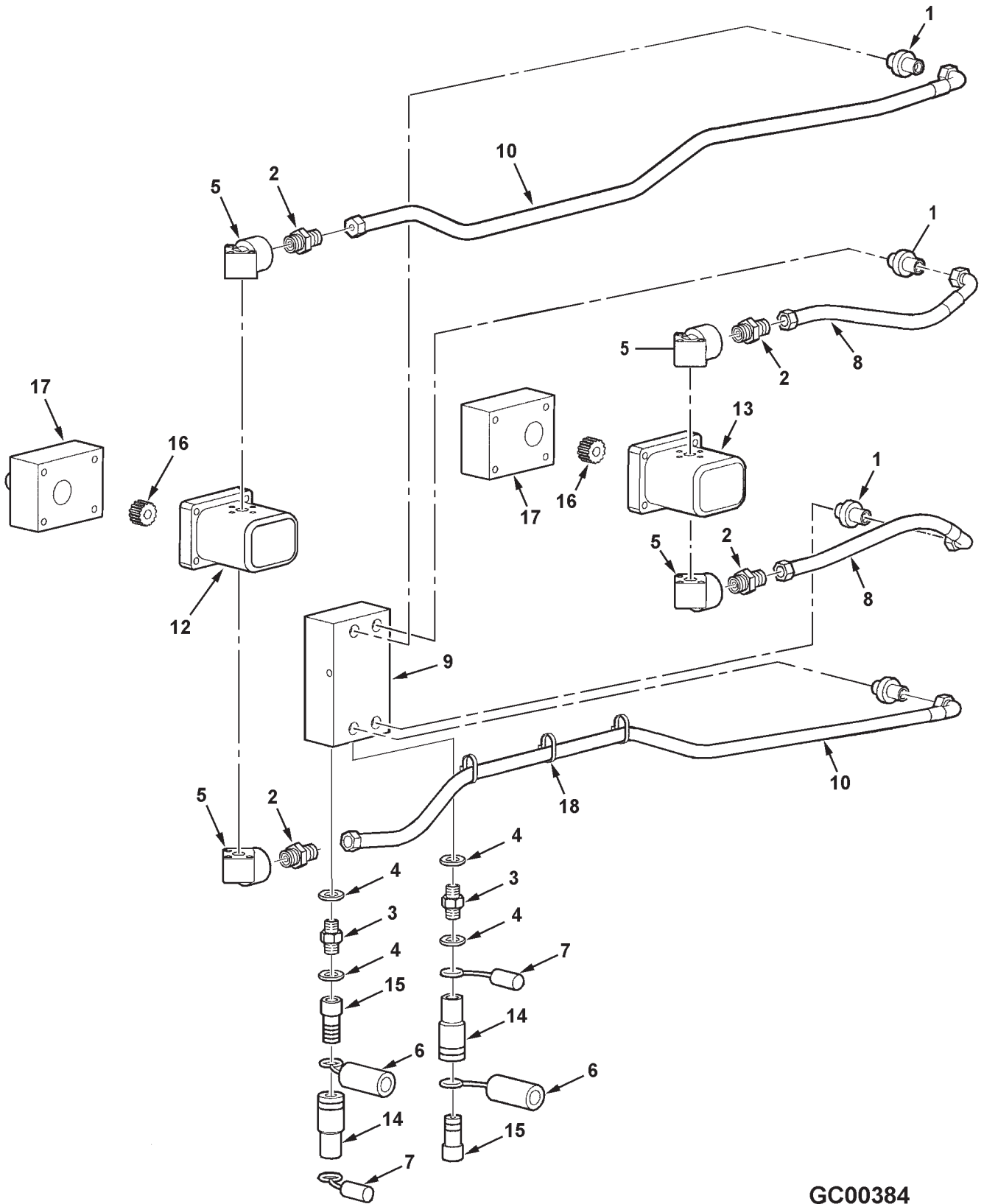
ITEM	NUMBER	QTY	DESCRIPTION
-	71411972	1	FAN HSG ASY, CHAFF SPRDR, W/ MOTORS (INCL IT. 1,2,3,10 THRU 18 AND HYD. COMPONENTS ON FOLLOWING PAGE.
1	71411983	1	FAN HSG. WLMT, SPREADER
2	71397167	2	WEAR PLATE
	385368X1	4	BOLT,RHSN, M8-1.25 X 16 CL8.8
	353770X1	4	WASHER, M8
	3000193X1	4	NUT, HEX NYLON LOCK, M8 X 1.25
3	71389997	1	GRIP, PLASTIC
4	71411974	1	SUPPORT PLATE WLMT, LH
5	71390259	2	PIN, BENT, SPECIAL
6	339679X1	2	CAPSCREW, M10-1.5 X 60 CL8.8(CHOPPR)
	339402X1	4	NUT, M10 X 1.5, REG
7	70933339	2	RETAINER PIN, .094 X 1.62 LG
8	71411981	1	SUPPORT PLATE WLMT, RH
9	71411982	1	GAS STRUT
	7772197	2	CAPSCREW, M8-1.25 X 25 CL8.8
	3000193X1	2	NUT, HEX NYLON LOCK, M8 X 1.25
10	D49070008	2	HUB
	339666X1	2	CAPSCREW, M6-1.0 X 20
	339375X1	2	LOCKWASHER, M6
	391038X1	2	WASHER, M6, LARGE
11	71397171	1	DISC, LH
	339124X1	6	CAPSCREW, M8-1.25 X 16 CL8.8
	339374X1	6	LOCKWASHER, M8
12	71397376	3	BLADE, SPREADER LH
	339124X1	3	CAPSCREW, M8-1.25 X 16 CL8.8
	3000193X1	4	NUT, HEX NYLON LOCK, M8 X 1.25
13	71397172	1	DISC, RH
	339124X1	6	CAPSCREW, M8-1.25 X 16 CL8.8
	339374X1	6	LOCKWASHER, M8
14	71397377	3	BLADE, SPREADER RH
	339124X1	3	CAPSCREW, M8-1.25 X 16 CL8.8
	3000193X1	4	NUT, HEX NYLON LOCK, M8 X 1.25
15	71411976	1	ROD, LOCK
	391290X1	1	PIN, SPRING, 5 MM X 30 LG
16	3009695X1	1	NUT, M12 X 1.75, REG
	390735X1	1	WASHER, M12, STD
17	71397392	1	SPRING
18	71397390	1	KNOB

MC00465

PR: t06g24h33d0099

9790 COMBINE
CHOPPER & SPREADER

CHAFF SPREADER
HYDRAULICS, REKORD



**9790 COMBINE
CHOPPER & SPREADER**

409

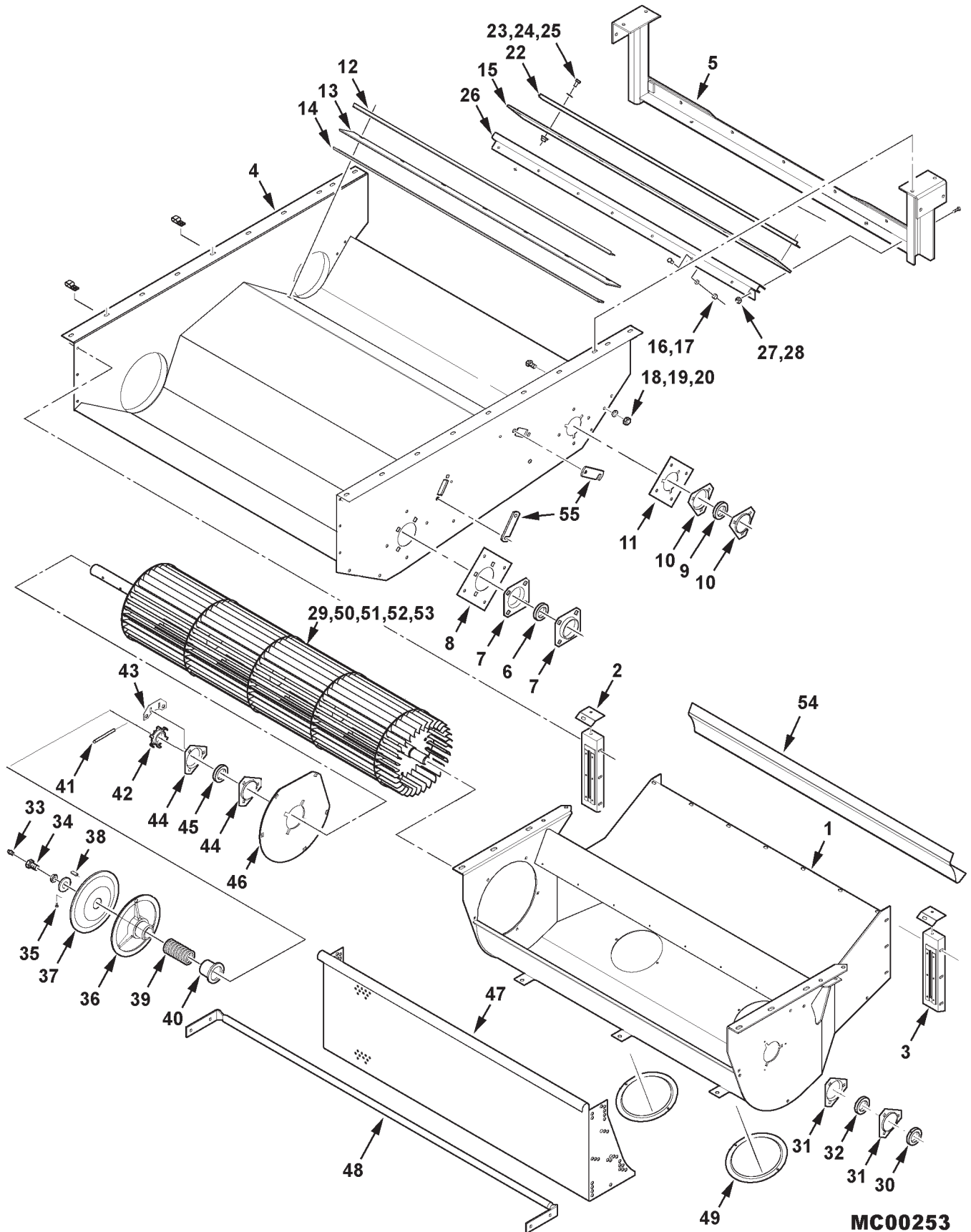
**CHAFF SPREADER
HYDRAULICS, REKORD**

ITEM	NUMBER	QTY	DESCRIPTION
1	71397381	4	ADAPTER
2	71397382	4	ADAPTER
3	D49070031	2	COUPLER, FEM.
4	D49070022	4	SEAL RING
5	D49070026	4	ELBOW, 90 DEG FLANGE
6	71397383	2	DUST COVER
7	71397384	2	DUST COVER
8	71397385	2	HOSE ASY.
9	71412991	1	VALVE ASY.
	71411980	1	SEAL KIT (NOT SHOWN)
	71411979	1	DIVIDER, FLOW (NOT SHOWN)
	71411978	1	VALVE, CHECK (NOT SHOWN)
	3019894X1	2	CAPSCREW, M6-1.0 X 100
	391038X1	2	WASHER, LARGE, M6
	1441500X1	2	NUT, HEX NYL LOCK, M6 X 1.0
10	71397386	2	HOSE ASY.
12	71397388	1	MOTOR, HYDRAULIC, LH
	71390284	1	SEAL KIT (NOT SHOWN)
	3010639X1	4	CAPSCREW, M6-1.0 X 70
	1441500X1	4	NUT, HEX NYL LOCK, M6 X 1.0
13	71397389	1	MOTOR, HYDRAULIC, RH
	71390284	1	SEAL KIT (NOT SHOWN)
	3010639X1	4	CAPSCREW, M6-1.0 X 70
	1441500X1	4	NUT, HEX NYL LOCK, M6 X 1.0
14	71390267	2	COUPLING, QUICK DISCONNECT, FEM.
15	71390268	2	COUPLING, QUICK DISCONNECT, MALE
16	71390279	2	HUB, SPLINED
17	D49070025	2	SUPPORT BEARING
18	70925094	AR	TIE STRAP

GC00384
PR: 238

9790 COMBINE
SEPARATOR

LOWER AUGER HOUSING AND FANNING MILL



**9790 COMBINE
SEPARATOR**

411

LOWER AUGER HOUSING AND FANNING MILL

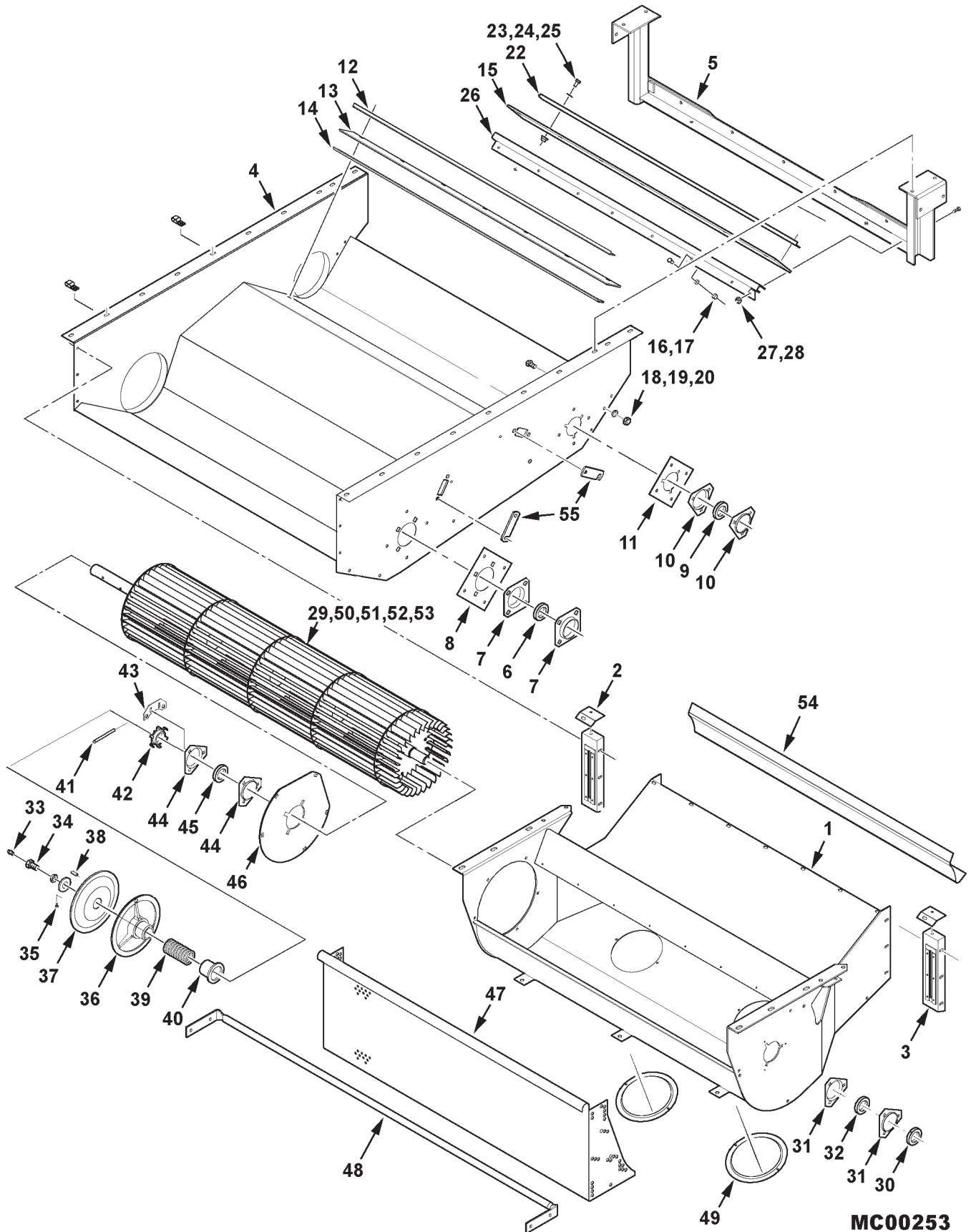
ITEM	NUMBER	QTY	DESCRIPTION
1	71390000	1	HOUSING ASY., FAN (INCL. ITEM 54)
	71186166	3	RETAINER STRIP, CARR BOLT (NOT ILL.)
	70925160	3	POP-RIVET, 3/16 X .251-.375 GRIP
	701235	12	CAPSCREW, 1/2-13 X 1-1/2
	70918431	6	WASHER, FLAT, 1/2
	Y704742	12	NUT, HEX FLNG TOP LOCK, 1/2-13
	70921332	22	CAPSCREW, 5/16-18 X 3/4
	70917642	22	WASHER, FLAT, 5/16
	Y704726	22	NUT, HEX FLNG TOP LOCK, 5/16-18
	2	2446920W1	1
2446930W1		1	PLATE, FILLER (LH)
70921332		2	CAPSCREW, 5/16-18 X 3/4
70917642		2	WASHER, FLAT, 5/16
3	2446893W91	1	PANEL, FILLER (LH)
	2446903W91	1	PANEL, FILLER (RH)
	70921332	2	NUT, HEX FLNG TOP LOCK, 5/16-18
4	71395252	1	HOUSING WLDMT, AUGER (PRIOR S/N HP36101)
	71399999	1	HOUSING WLDMT, AUGER (EFF. S/N HP36101)
	70927134	2	J-CLIP, 5/8 DIA X .406 HOLE
	70921969	20	CAPSCREW, 3/8-16 X 1-1/2
	Y704734	20	NUT, HEX FLNG TOP LOCK, 3/8-16
5	71387546	1	FRAME ASY.
	70921210	4	CAPSCREW, 3/8-16 X 1.0
	70917378	4	WASHER, FLAT, 3/8
	Y704734	4	NUT, HEX FLNG TOP LOCK, 3/8-16
6	50468	1	BEARING, 1.50"
	17789	2	FLANGE, BEARING
7	68619	4	BOLT, RD HD SQ NECK, 1/2-13 X 1-1/4
	Y705046	4	LOCKWASHER, 1/2
	704031	4	HEXNUT, 1/2-13
	2636000W1	1	PLATE (PRIOR S/N HP36101)(NOT USED EFF. S/N HP36101)
8	70921965	4	CAPSCREW, 3/8-16 X 3/4
	Y704734	4	NUT, HEX FLNG TOP LOCK, 3/8-16
	70590704	1	BEARING, 1.125" W/O COLLAR
10	71127313	2	FLANGE, BEARING
	68759	1	BOLT, RD HD SQ NECK, 3/8-16 X 1
	768036	2	BOLT, RD HD SQ NECK, 3/8-16 X 1-1/2
	70916965	3	LOCKWASHER, 3/8
	70916950	3	NUT, 3/8-16 REG
11	2636010W1	1	PLATE (PRIOR S/N HP36101)(NOT USED EFF. S/N HP36101)
	70921965	4	CAPSCREW, 3/8-16 X 3/4
	Y704734	4	NUT, HEX FLNG TOP LOCK, 3/8-16
	71387703	1	ANGLE, SEAL CLAMPING (PRIOR S/N HP36101)
12	71387704	1	SEAL, REAR AUGER HSG.(PRIOR S/N HP36101)
	71387710	1	RETAINER, SEAL (PRIOR S/N HP36101)
13	70921333	8	CAPSCREW, HEX HD, 5/16-18 X 1
	70917642	8	WASHER, 5/16
	Y704726	8	NUT, HEX FLNG TOP LOCK, 5/16-18
	71396452	1	SEAL, REAR AUGER HSG.
14	Y704734	8	NUT, HEX FLNG TOP LOCK, 3/8-16
	70921965	8	CAPSCREW, 3/8-16 X 3/4
15	70917378	8	WASHER, 3/8 WIDE

CONTINUED

MC00253
PR: 240

9790 COMBINE
SEPARATOR

LOWER AUGER HOUSING AND FANNING MILL



**9790 COMBINE
SEPARATOR**

413

LOWER AUGER HOUSING AND FANNING MILL

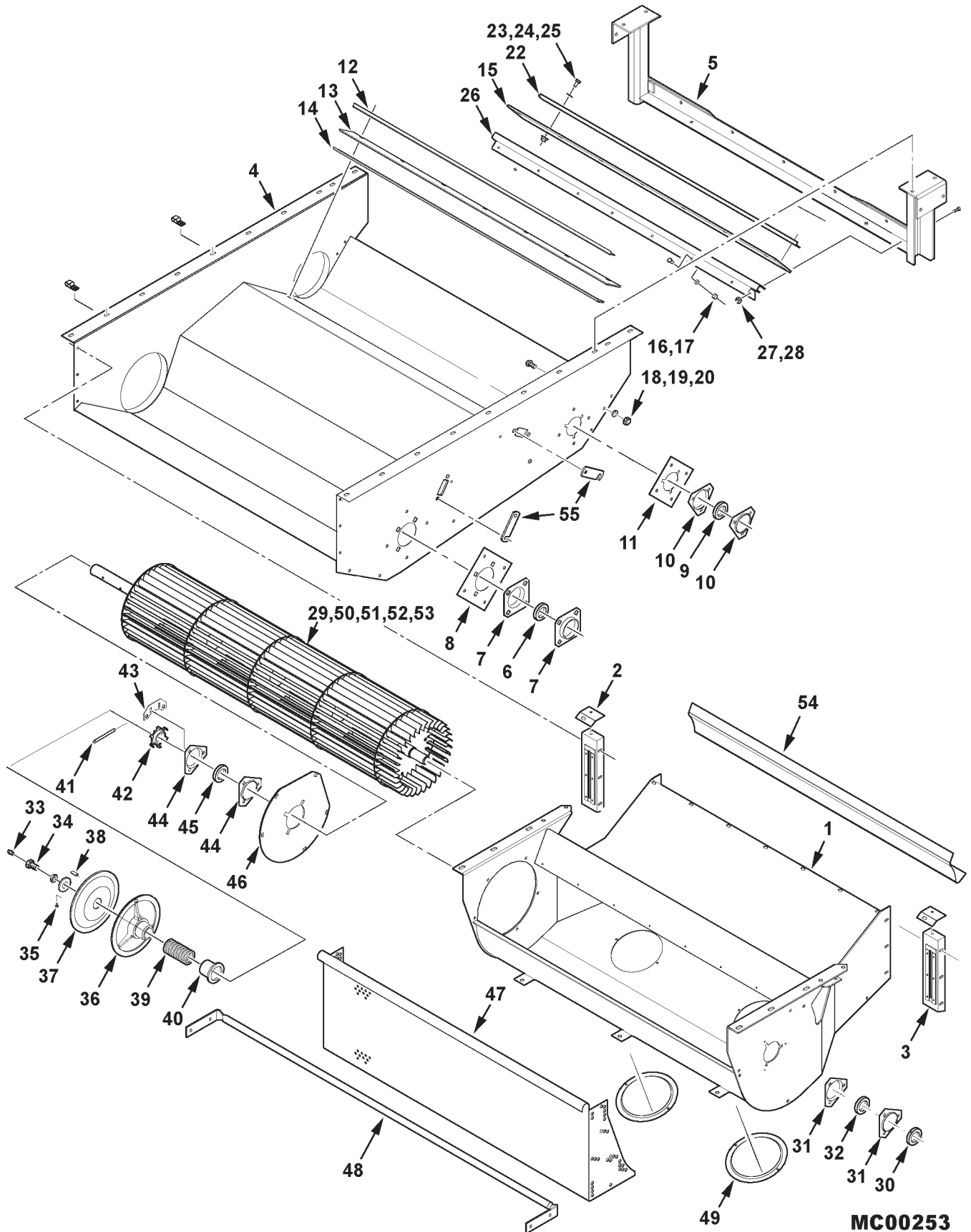
ITEM	NUMBER	QTY	DESCRIPTION
18	70917372	4	NUT, 5/16-18 REG (PRIOR S/N HP36101)
19	Y705020	4	LOCKWASHER, 5/16 (PRIOR S/N HP36101)
20	70921332	4	CPSCR, 5/16-18 X 3/4 (PRIOR S/N HP36101)
22	71387703	2	ANGLE, SEAL CLAMPING
23	70921332	8	CAPSCREW, 5/16-18 X 3/4
24	70917642	8	WASHER, 5/16
25	Y704726	16	NUT, HEX FLNG TOP LOCK, 5/16-18
26	71395853	1	REINFORCEMENT WLMT, SEAL
27	70921210	6	CAPSCREW, 3/8-16 X 1.0
28	Y704734	6	NUT, HEX FLNG TOP LOCK, 3/8-16
29	71412136	1	FAN ASY, SEPARATOR (INCL. ITEMS 50-53)
30	7710551	1	COLLAR, LOCK
31	71192243	2	FLANGE
	68759	3	BOLT, RD HD SH SQ NECK 3/8-16 X 1.0
	70916965	3	LOCKWASHER, 3/8
	70916950	3	HEXNUT, 3/8-16
32	71309117	1	BEARING, W/COLLAR, 1.250
33	70923219	1	FITTING, LUBE, 1/4-28 SPL. TAPER
34	71395571	1	CAPSCREW, SPECIAL, 5/8-11 X 1-1/4
	70917373	1	LOCKWASHER, 5/8
	6555346	1	WASHER, 21/32 X 2.0 X .250 TH
35	791319	1	PLUG, HX HD, 1/8-27
36	2442480W2	1	SHEAVE, OUTER
37	71395572	1	SHEAVE, INNER
38	71395573	1	KEY, 5/16 SQ. X 7-1/2
39	2440720W1	1	SPRING
40	71387375	1	BUSHING, FAN DRIVE
41	63834	1	PIN, SPIROL, 1/4 X 2-1/4
42	71315780	1	COLLAR, SENSING
43	71315785	1	BRACKET, SHAFT MONITOR
	70926838	2	SCREW, RD HD SQ NECK 1/2-13 X 1-1/2
	Y705046	2	LOCKWASHER, 1/2
	704056	4	NUT, HEX JAM, 1/2-13 GR2
44	17789	2	FLANGE, BEARING
	68619	2	SCREW, RD HD SQ NECK 1/2-13 X 1-1/4
	Y705046	2	LOCKWASHER, 1/2
	704031	2	HEXNUT, 1/2-13
45	71122510	1	BEARING, FLANGE W/COLLAR
46	71386400	1	PLATE, COVER
	70917642	6	WASHER, 5/16 WIDE
	Y705020	6	LOCKWASHER, 5/16
	70917372	6	HEXNUT, 5/16-18
47	71390939	1	SCREEN, LEAF
	70921965	3	CAPSCREW, 3/8-16 X 3/4
	Y705533	3	WASHER, FLAT 3/8 HARD
48	71390673	1	SUPPORT, LEAF SCREEN
	70923114	4	CAPSCREW, 1/2-13 X 1.0
	705541	4	WASHER, FLAT 1/2 HARD
	Y704742	4	NUT, HEX FLNG TOP LOCK, 1/2-13
49	71376758P	2	COVER, INSPECTION
	705012	4	LOCKWASHER, 1/4
	70916622	4	HEXNUT, 1/4-20

CONTINUED

MC00253
PR: 240

9790 COMBINE
SEPARATOR

LOWER AUGER HOUSING AND FANNING MILL



9790 COMBINE
SEPARATOR

415

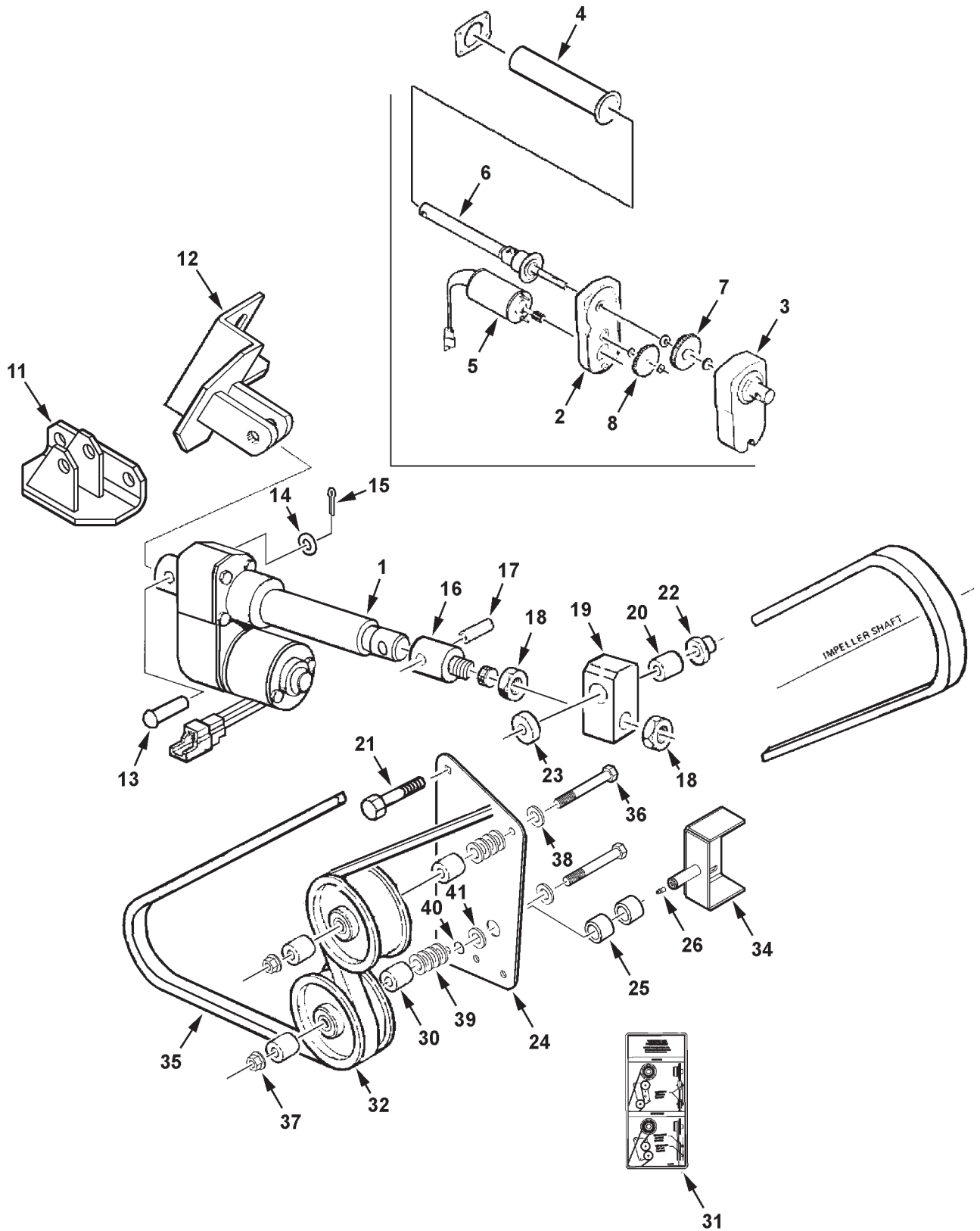
LOWER AUGER HOUSING AND FANNING MILL

ITEM	NUMBER	QTY	DESCRIPTION
50	71390654	1	SHAFT, FAN (NOT ILLUSTR'D)
51	71354636	4	HEAD ASY, FAN
	71373684	1	HEAD ASY, FAN LH
	7703838	12	CAPSCREW, 5/16-18 X 1-3/4
	Y705608	24	WASHER, 5/16 NARROW
	Y705020	12	LOCKWASHER, 5/16
	70917372	12	NUT, 5/16-18 REG
52	71412132	32	BLADE, FAN
53	71348314	3	RING, BLADE RETAINING
54	71400604	1	VORTEX PLATE, TRANSVERSE FAN
	70925160	20	POP-RIVET, 3/16 X .251-.375 GRIP
55	108202W1	2	STRAP (EFF. S/N HP36101)
	70917642	4	WASHER, 5/16, WIDE
	Y705020	4	LOCKWASHER, 5/16
	70917372	4	NUT, 5/16-18 REG
-	71411658	AR	KIT, SLOW SPEED FAN DRIVE (ORDER THRU DEALER CENTRAL)
	71396326	1	SHEAVE HALF, INNER, SLOW SPEED
	2537670W2	1	SHEAVE HALF, OUTER

MC00253
PR: 240

9790 COMBINE
SEPARATOR

VARIABLE SPEED FAN DRIVE



9790 COMBINE
SEPARATOR

417

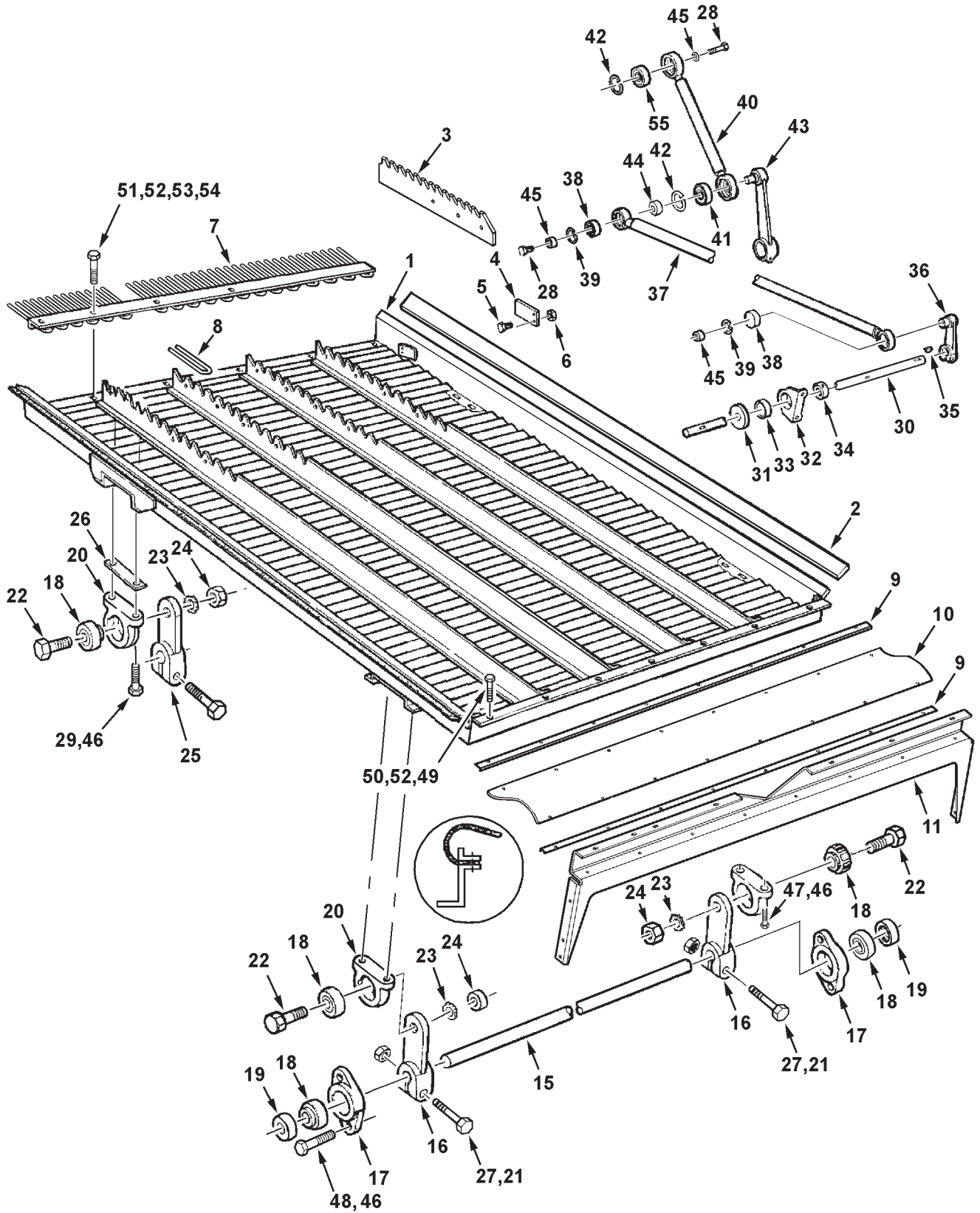
VARIABLE SPEED FAN DRIVE

ITEM	NUMBER	QTY	DESCRIPTION
1	293817M91	1	ACTUATOR MOTOR ASY (INCL. ITEMS 2-8)
2	1068614M91	1	HOUSING ASSEMBLY, FRONT
3	700704854	1	HOUSING ASSEMBLY, REAR
4	1068617M1	1	COVER
5	103657W91	1	MOTOR
6	1068620M91	1	SCREW ASSEMBLY
7	700704927	1	CLUTCH ASSEMBLY
8	700711357	1	GEAR ASSEMBLY, INTERMEDIATE
	-----	1	*GASKET, COVER TUBE
	-----	1	*GASKET, HOUSING
	-----	1	*SEAL, MOTOR
	-----	1	*O-RING
	-----	1	*LIP, SEAL
-	700704856	-	KIT, SEAL (INCLUDES * ITEMS)
11	71399477B	1	BRKT. WLDMT, ANCHOR (EFF. S/N HP36101)
	70921176	2	CAPSCREW, 1/2-13 X 1-1/4 GR5
	Y704742	2	NUT, HEX FLNG TOP LOCK, 1/2-13 UNC
12	2588071W92	1	BRKT. WLDMT, ANCHOR (PRIOR S/N HP36101)
	70921210	2	CAPSCREW, 3/8-16 X 1 GR5
	Y704734	2	NUT, HEX FLANGE TOP LOCK, 3/8-16
13	195412M1	1	PIN, CLEVIS, 1/2 X 2
14	Y705624	1	WASHER, NARROW, 1/2
15	70918455	1	COTTER PIN, 5/32 X 1
16	71390093	1	ROD WLMT, CONTROL
17	70922770	1	PIN, SPRING, 1/2 X 1-3/4
18	70913160	2	NUT, 3/4-10 UNC
19	2537720W1	1	BLOCK, PIVOT
20	2446310W1	1	SPACER, .68 ID X .998 X 1.55 LG
21	70923111	1	CAPSCREW, 5/8-11 X 3 GR5
22	700703922	1	NUT, HEX FLNG TOP LOCK, 5/8-11 UNC
23	2464250W1	1	SPACER, 21/32 X 1-1/2 X 3/8
24	71394356B	1	PLATE WLMT W/BUSH'S (PRIOR S/N HP36101)
	71399481B	1	PLATE WLMT W/BUSH'S (EFF. S/N HP36101)
25	831268M1	2	BUSHING, 3/4 X 7/8 X 3/4
26	70914687	1	LUBE FITTING, STR, 1/4-28 UNF
30	365098X1	4	SPACER, IDLER FAN DRIVE
31	71392776	1	DECAL, V-S FAN DRIVE
32	2545270W1	2	PULLEY, IDLER
34	71391526	1	BRACKET WLMT, PIVOT
	70921210	2	CAPSCREW, 3/8-16 X 1 GR5
	Y704734	2	NUT, HEX FLNG TOP LOCK, 3/8-16
35	71394352	1	BELT (SEE BELT LISTING)
36	70925705	2	CAPSCREW, 5/8-11 X 5 GR5
37	700703922	2	NUT, HEX FLNG TOP LOCK, 5/8-11 UNC
38	70918433	2	WASHER, 3/4, WIDE
39	70918432	8	WASHER, 5/8, WIDE
40	70927732	1	RETAINING RING, EXTERNAL
41	70923427	1	WASHER, .78 ID X 1.25 X .12 TH.

MC00255
PR: 244

9790 COMBINE
SEPARATOR

SEPARATOR PAN
(PRIOR S/N HS36101)



**9790 COMBINE
SEPARATOR**

419

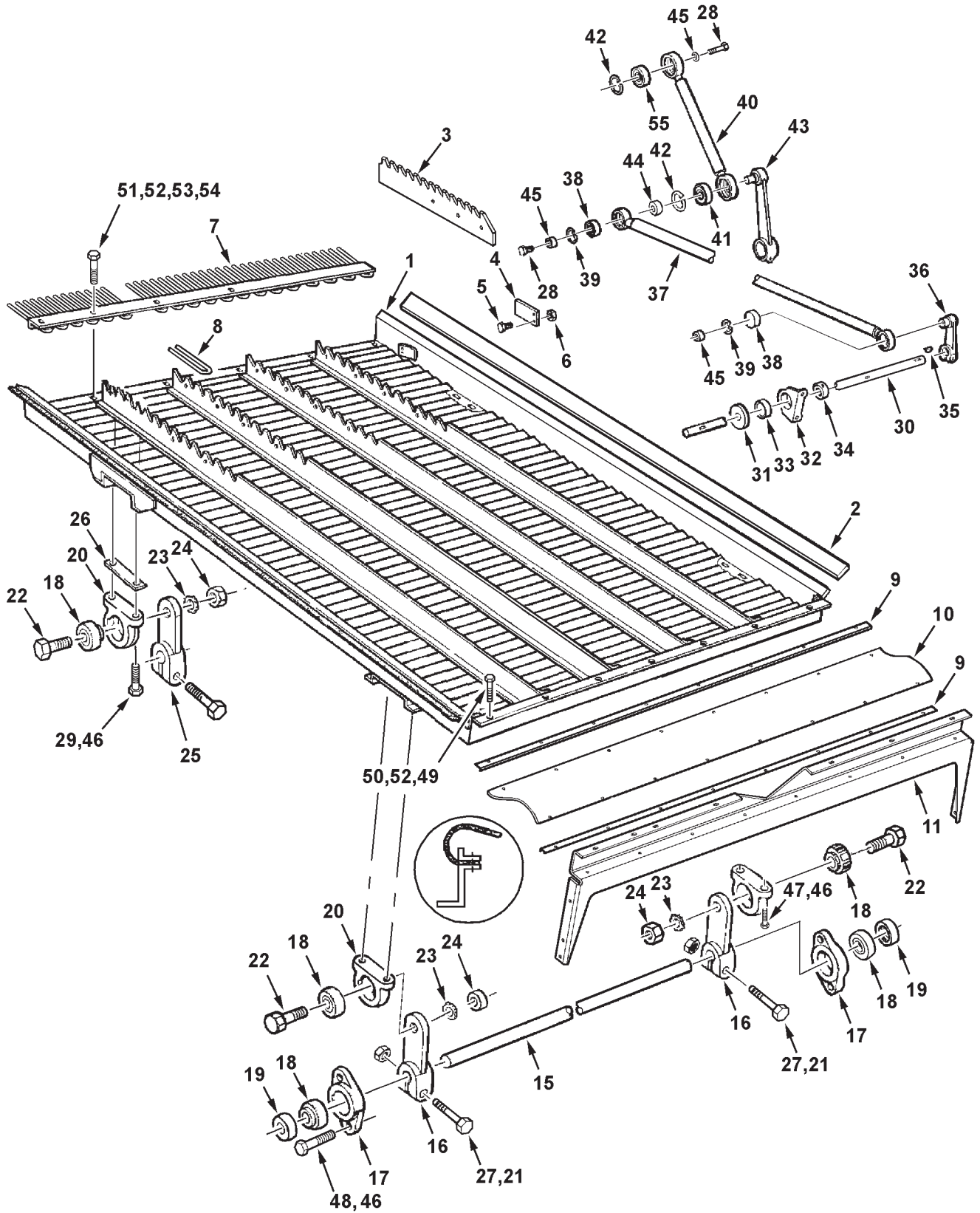
**SEPARATOR PAN
(PRIOR S/N HS36101)**

ITEM	NUMBER	QTY	DESCRIPTION
1	71388483	1	PAN ASSEMBLY, GRAIN
2	1817730W1	2	SEAL, RUBBER, 1-3/4" X 71-1/4" X 1/8"
	70937253	54	POP-RIVET .188 X .063-.25 LG DOME HD
3	71393440	4	EXTENSION, SEPARATOR PAN (ACCESSORY) (SEE SHOE SHAKER & SIEVES)
4	1157990W1	2	DEFLECTOR, SEPARATOR PAN
5	70921958	16	BOLT, HEX, 1/4-20 UNC X 1/2
6	70916622	16	NUT, HEX, 1/4-20 UNC
7	71388490	1	COMB ASSEMBLY
8	1114720W1	28	ROD, COMB
9	71389862	2	STRIP, CLAMPING
10	71389863	1	SEAL, SEPARATOR PAN, REAR
11	71388351	1	PANEL, SUPPORT
	70923114	6	CPSCR, 1/2-13 X 1 (EFF. S/N HR36101)
	Y704742	6	NUT, HEX FLANGE TOP LOCK, 1/2-13
	70921966	6	CPSCR, 3/8-16 X 7/8 (PRIOR HR36101)
	Y704734	6	LOCKNUT, HEX FLANGE, 3/8-16
15	71389428	1	SHAFT, REAR
16	2443420W1	2	ARM, REAR
17	1501060W1	2	HOUSING
18	71308770	6	BEARING, BALL
19	70522328	2	COLLAR, BEARING
20	2551250W1	4	HOUSING
21	Y704742	AR	NUT, HEX FLANGE LOCK, 1/2-13 UNC
22	1564540W1	4	BOLT, HEX SPECIAL, 7/8-9 UNC X 2
23	70929356	4	LOCKWASHER, EXTERNAL TOOTH, 7/8
24	375114X1	4	NUT, HEX JAM, 7/8-9 UNC
25	2443410W1	2	ARM, FRONT
26	1588480W1	2	PLATE, REINF.
27	70921211	AR	CAPSCREW, 1/2-13 UNC X 2-1/2
28	70923473	AR	CAPSCREW, 1/2-13 X 1-1/4 GR8
29	70921971	AR	CAPSCREW, 3/8-16 UNC X 1-3/4
30	71389429	1	SHAFT, FRONT
31	2555310W1	2	SEAL, 1 X 2-1/2 X 1/4
32	W1207843	2	HOUSING & BEARING ASY (INCL. ITEM 33)
	1130100W1	2	HOUSING
33	70590709	2	BEARING, BALL, W/COLLAR
34	K3518	2	COLLAR, BEARING, 1-1/8 ID
35	29780X	3	KEY, WOODRUFF, 1/4 X 1, HARD
36	2615140W2	1	ARM
37	2615094W91	1	PITMAN ASY (INCL ITEMS 38 & 39)
	2615101W92	1	PITMAN WLMT
38	1109055	2	BEARING, BALL
39	22289X	2	RING, INTERNAL RETAINING

CONTINUED

MC00257
PR: 246

SEPARATOR PAN
(PRIOR S/N HS36101)



9790 COMBINE
SEPARATOR

421

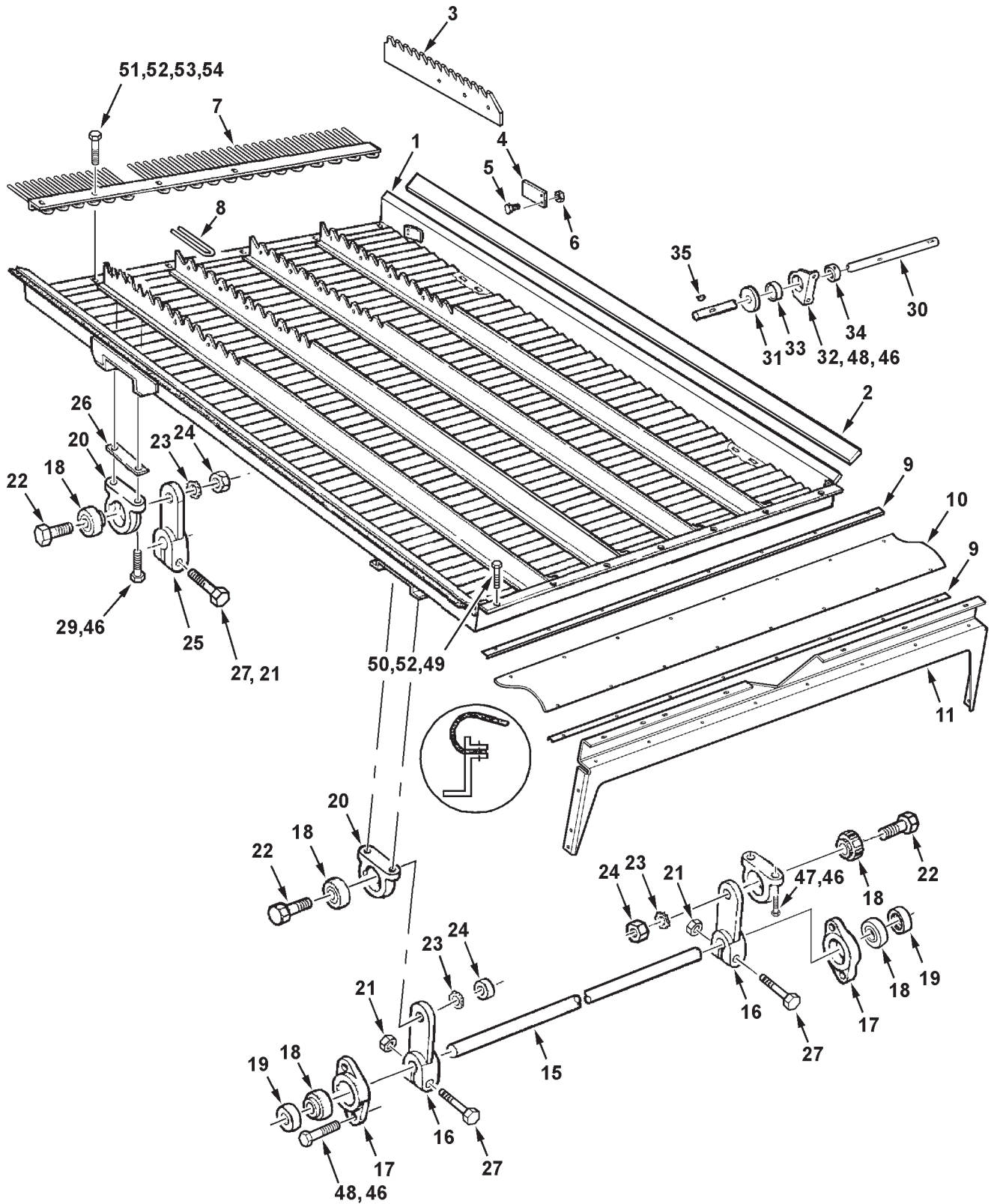
SEPARATOR PAN
(PRIOR S/N HS36101)

ITEM	NUMBER	QTY	DESCRIPTION
40	71396470	1	ARM WLDMT, PITMAN
41	1139003	1	BEARING, ARM (LOWER)
42	70927708	2	RING, INTERNAL SNAP
43	-----	1	ARM WLMT, SHOE SHAKER (SEE "SHAKER SHOE & SIEVES")
44	2615120W1	1	SPACER
45	60049M1	3	SPACER
46	Y704734	AR	NUT, HEX FLANGE TOP LOCK, 3/8-16
47	70923220	AR	BOLT, CARRIAGE, 3/8-16 X 1-1/4
48	70920415	AR	CAPSCREW, 3/8-16 X 1-1/4 GR5
49	Y704726	AR	NUT, HEX FLANGE TOP LOCK, 5/16-18
50	70921332	16	CAPSCREW, 5/16-18 X 3/4 GR5
51	7700461	AR	BOLT, CARRIAGE, 5/16-18 X 3/4
52	70917642	AR	WASHER, WIDE FLAT, 5/16
53	70917356	AR	LOCKWASHER, 5/16
54	70917372	AR	NUT, 5/16-18 UNC
55	71396472	1	BEARING, ARM (UPPER)
56	71409415	AR	GAUGE, PITMAN ARM ASSEMBLY (ORDER THRU DEALER CENTRAL)(NOT ILLUSTRATED)

MC00257
PR: 246

9790 COMBINE
SEPARATOR

SEPARATOR PAN
(EFF. S/N HS36101)



**9790 COMBINE
SEPARATOR**

423

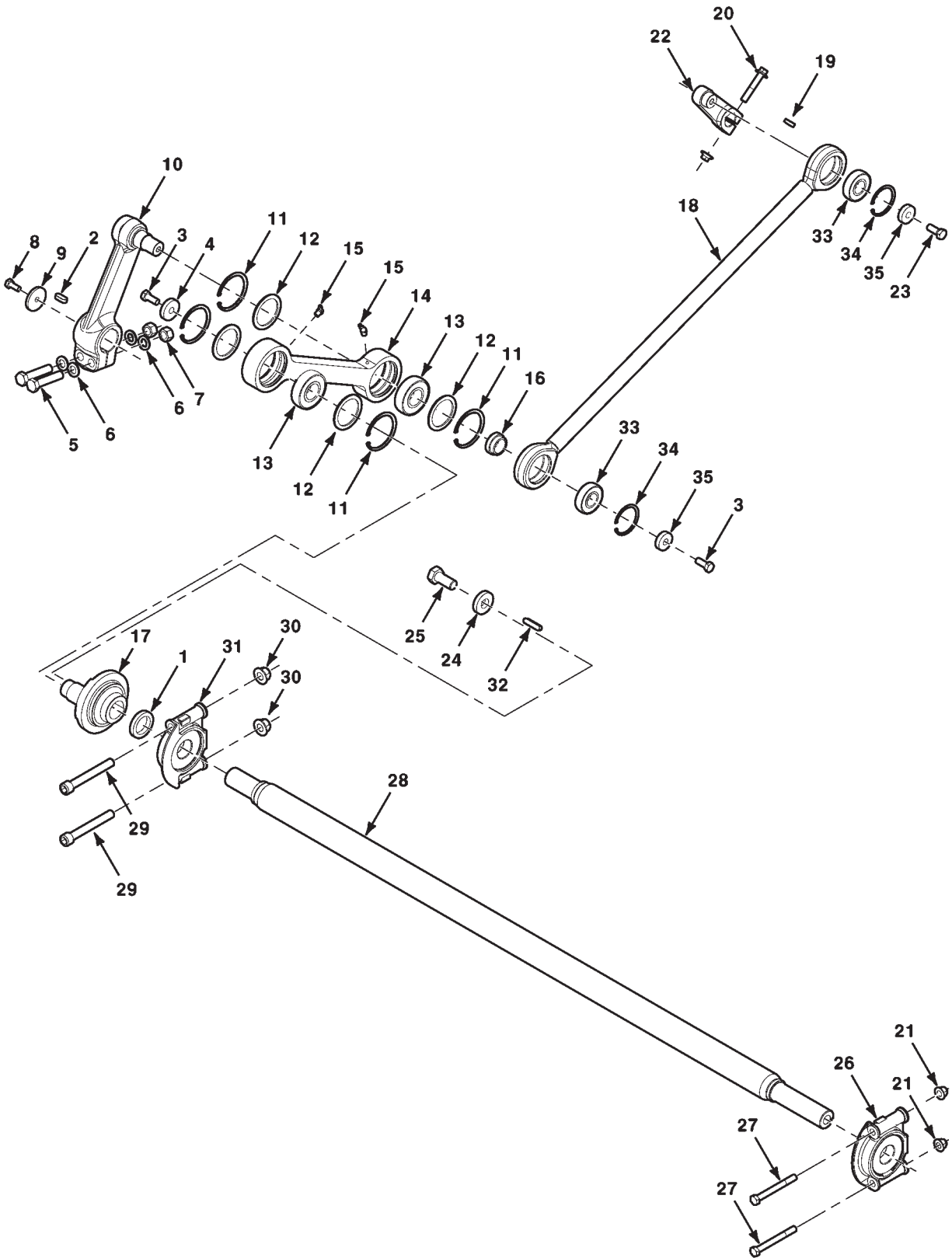
**SEPARATOR PAN
(EFF. S/N HS36101)**

ITEM	NUMBER	QTY	DESCRIPTION
1	71388483	1	PAN ASSEMBLY, GRAIN
2	1817730W1	2	SEAL, RUBBER, 1-3/4" X 71-1/4" X 1/8"
	70937253	54	POP-RIVET .188 X .063-.25 LG DOME HD
3	71393440	4	EXTENSION, SEPARATOR PAN (ACCESSORY) (SEE SHOE SHAKER & SIEVES)
4	1157990W1	2	DEFLECTOR, SEPARATOR PAN
5	70921958	16	BOLT, HEX, 1/4-20 UNC X 1/2
6	70916622	16	NUT, HEX, 1/4-20 UNC
7	71388490	1	COMB ASSEMBLY
8	1114720W1	28	ROD, COMB
9	71389862	2	STRIP, CLAMPING
10	71389863	1	SEAL, SEPARATOR PAN, REAR
11	71388351	1	PANEL, SUPPORT
	70923114	6	CPSCR, 1/2-13 X 1 (EFF. S/N HR36101)
	Y704742	6	NUT, HEX FLANGE TOP LOCK, 1/2-13
	70921966	6	CPSCR, 3/8-16 X 7/8 (PRIOR HR36101)
	Y704734	6	LOCKNUT, HEX FLANGE, 3/8-16
15	71389428	1	SHAFT, REAR
16	2443420W1	2	ARM, REAR
17	1501060W1	2	HOUSING
18	71308770	6	BEARING, BALL
19	70522328	2	COLLAR, BEARING
20	2551250W1	4	HOUSING
21	Y704742	4	NUT, HEX FLANGE LOCK, 1/2-13 UNC
22	1564540W1	4	BOLT, HEX SPECIAL, 7/8-9 UNC X 2
23	70929356	4	LOCKWASHER, EXTERNAL TOOTH, 7/8
24	375114X1	4	NUT, HEX JAM, 7/8-9 UNC
25	2443410W1	2	ARM, FRONT
26	1588480W1	2	PLATE, REINF.
27	70921211	4	CAPSCREW, 1/2-13 UNC X 2-1/2
29	70921971	4	CAPSCREW, 3/8-16 UNC X 1-3/4
30	71389429	1	SHAFT, FRONT
31	2555310W1	2	SEAL, 1 X 2-1/2 X 1/4
32	W1207843	2	HOUSING & BEARING ASY (INCL. ITEM 33)
	1130100W1	2	HOUSING
33	70590704	2	BEARING, BALL, W/COLLAR
34	K3518	2	COLLAR, BEARING, 1-1/8 ID
35	29780X	2	KEY, WOODRUFF, 1/4 X 1, HARD
46	Y704734	16	NUT, HEX FLANGE TOP LOCK, 3/8-16
47	70923220	4	BOLT, CARRIAGE, 3/8-16 X 1-1/4
48	70920415	8	CAPSCREW, 3/8-16 X 1-1/4 GR5
49	Y704726	16	NUT, HEX FLANGE TOP LOCK, 5/16-18
50	70921332	16	CAPSCREW, 5/16-18 X 3/4 GR5
51	7700461	6	BOLT, CARRIAGE, 5/16-18 X 3/4
52	70917642	14	WASHER, WIDE FLAT, 5/16
53	70917356	6	LOCKWASHER, 5/16
54	70917372	6	NUT, 5/16-18 UNC

MC00558
PR: t07a23o20b0006

9790 COMBINE
SEPARATOR

PITMAN SHAFT
(EFF. S/N HS36101)



**9790 COMBINE
SEPARATOR**

425

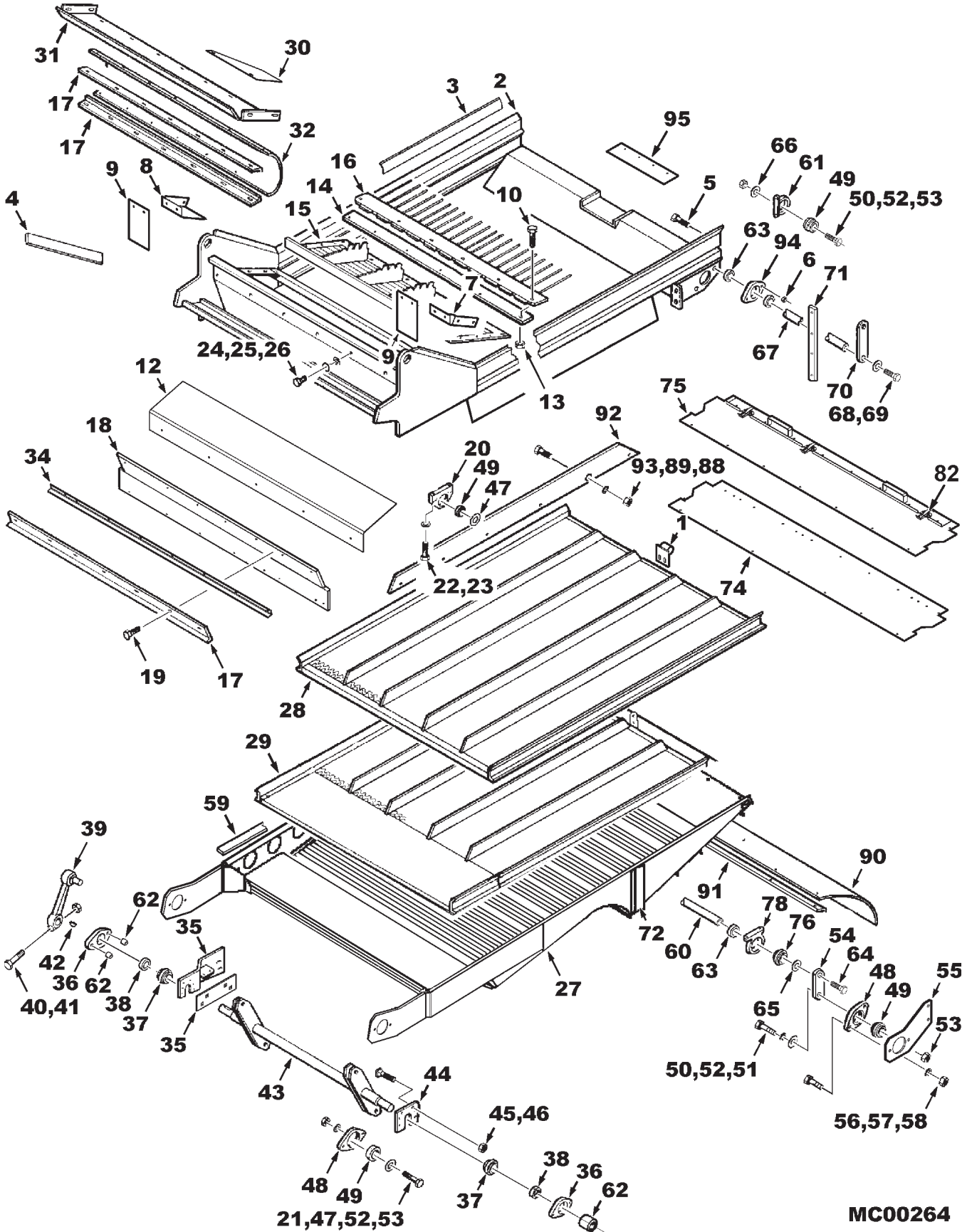
**PITMAN SHAFT
(EFF. S/N HS36101)**

ITEM	NUMBER	QTY	DESCRIPTION
1	71412437	1	SPACER-PITMAN SHAFT
2	3019168X1	1	KEY-PARALLEL, 8 X 12 X 28 MM
3	1440716X1	2	CAPSCREW, M12-1.75 X 30 CL8.8
4	71413456	1	WASHER, .532 ID X 1.75 X .375 TH
5	3019865X1	2	CAPSCREW, M16-2.0 X 75 CL10.9
6	11538	4	WASHER, HARD, .66 ID X 1.13 X .125 TH.
7	3019871X1	2	NUT, M16-2.0, CLASS 10, PH
8	700708349	1	CAPSCREW, M10-1.5 X 25 CL8.8
9	6875314	1	WASHER-PITMAN SHAFT
10	71413028	1	ARM WA-SHOE SHAKER
11	339437X1	4	RING-RETAINING
12	71413047	4	WASHER ASSEMBLY
13	831861M1	2	BEARING-SPHERICAL, BALL
14	71413040	1	LINK-PITMAN
15	70923014	2	LUBE FTG, 1/8 PIPE SPL, 45 DEG
16	71413050	1	SPACER
17	71412441	1	DRIVE HUB-PITMAN
18	2615094W91	1	PITMAN ASY (INCL. ITEMS 33,34)
	2615101W92	1	PITMAN WLMT
19	29780X	1	KEY-WOODRUFF, 1/4 X 1
20	3009227X1	1	BOLT, FLANGE, M12-1.75 X 65 CL10.9
21	5000005X1	3	NUT, HEX FLANGE NYL LOCK, M12 X 1.75
22	2615140W2	1	ARM - WALKER PAN DRIVE
23	8701708	1	CAPSCREW, 1/2-13 X 1-1/4 GR8
24	71412438	1	WASHER, .827 X 1.875 X .375 TH
25	3011004X1	1	CAPSCREW, M20-2.5 X 45 CLASS 10.9
26	----	1	BEARING ASM
	2590650W1	1	HOUSING-BEARING
	31-1588410	1	BEARING-BALL
27	391904X1	2	CAPSCREW, M12-1.75 X 110 CL10.9
28	71412446	1	SHAFT-DRIVE, PITMAN
29	3009316X1	2	CAPSCREW, HEX SOCK, M16X2.0X120 CL 10.9
30	5000006X1	2	NUT, HEX FLANGE NYL LOCK, M16 X 2.0
31	----	1	BRG ASM-PITMAN SHAFT
	71414290	1	HOUSING-BEARING, PITMAN SHAFT
	31-1588410	1	BEARING-BALL
32	339474X1	1	KEY-PARALLEL, 8 X 10 X 45
33	339583X1	2	BEARING, BALL
34	22289X	2	RING, INTERNAL RETAINING
35	60049M1	2	SPACER .532 ID X 1.50 X .394 TH

MC00554

PR: t07a23o20b0007

SHAKER SHOE AND SIEVES
(PRIOR S/N HS36101)



**9790 COMBINE
SEPARATOR**

427

**SHAKER SHOE AND SIEVES
(PRIOR S/N HS36101)**

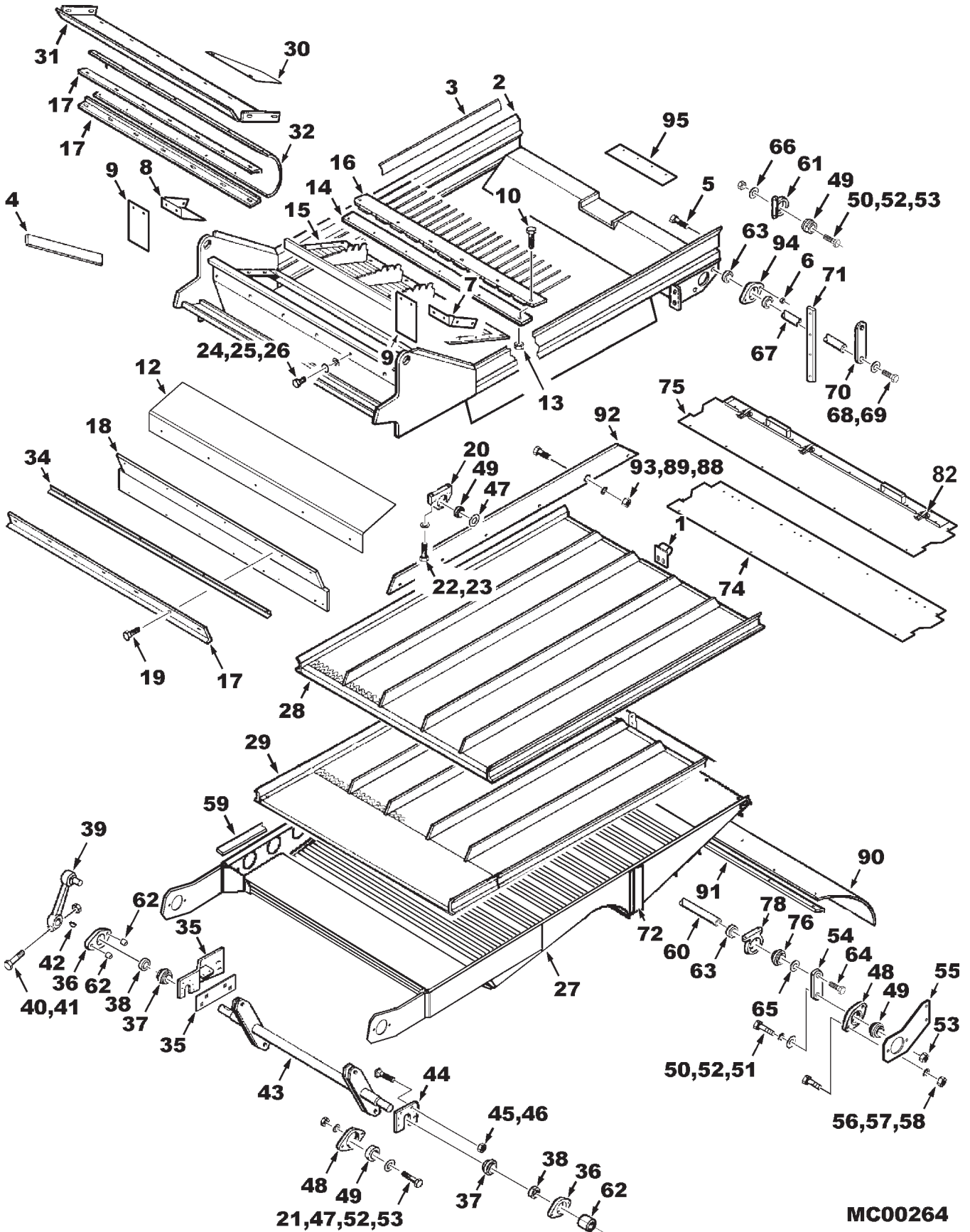
ITEM	NUMBER	QTY	DESCRIPTION
1	71397168	1	BUSHING, TIE ROD
	70922786	2	BOLT, RD HD SQ NECK, 3/8-16 X 1.0
	70918266	2	WASHER, PLAIN FLAT, 3/8
	70916965	2	LOCKWASHER, 3/8
	70916950	2	HEXNUT, 3/8-16
2	71401850B	1	FRAME WLDMT, CHAFFER & SIEVE
	70937253	48	RIVET, 3/16 X 7/16
3	71386394	2	SEAL, RUBBER, 1-19/64 X 71-45/64 X 1/8
	70937253	38	RIVET, 3/16 X 7/16
4	71394833	2	SEAL, RUBBER
	70937253	10	RIVET, 3/16 X 7/16
5	70920415	4	CAPSCREW, 3/8-16 UNC X 1-1/4
6	Y704734	4	NUT, HEX FLANGE TOP LOCK, 3/8-16
7	71395582	1	DEFLECTOR, LEFT
	70921332	2	CAPSCREW, 5/16-18 X 3/4
	70921333	1	CAPSCREW, 5/16-18 X 1.0
	7700578	2	BOLT, RD SQ NECK 5/16-18 X 1.0
	Y704726	5	NUT, HEX FLANGE TOP LOCK, 5/16-18
8	71395583	1	DEFLECTOR, RIGHT
	70921332	2	CAPSCREW, 5/16-18 X 3/4
	70921333	1	CAPSCREW, 5/16-18 X 1.0
	7700578	2	BOLT, RD SQ NECK 5/16-18 X 1.0
	Y704726	5	NUT, HEX FLANGE TOP LOCK, 5/16-18
9	71395589	2	EXTENSION, DEFLECTOR
10	70921333	6	BOLT, HEX, 5/16-18 UNC X 1-1/4
12	71395263	1	DAMPER, SEPARATOR PLATE
13	Y704726	12	NUT, HEX FLG TOP LOCK, 5/16-18
14	71388968	1	STRIP, RUBBER
15	71388265	1	PAN ASSEMBLY, CASCADE
16	71388476	1	COMB ASSEMBLY, CASCADE PAN
17	71387703	3	ANGLE, SEAL CLAMPING
18	71388494	1	SEAL, CHAFFER FRAME TO FAN HOUSING
19	70921332	8	BOLT, HEX, 5/16-18 UNC X 3/4
	70917642	8	WASHER, 5/16, WIDE
20	71401429	2	HOUSING, BEARING (USES 1/2" CAPSCREWS)
21	1564540W1	4	BOLT, HEX SPECIAL, 7/8-9 UNC X 2
22	70912278	4	CAPSCREW, HEX SOCK HD, 1/2-13 X 1-1/2 (EFF S/N HM36101 W/INST OF MOD. KIT)
23	71406957	4	SPACER, .53 ID X 1.0 (EFF. S/N HM36101 W/ INSTALLATION OF MOD. KIT)
24	70921332	5	CAPSCREW, 5/16-18 X 3/4
25	70917356	5	LOCKWASHER, 5/16
26	70917642	5	WASHER, 5/16, WIDE
27	71394965	1	PAN ASY, LOWER SEPARATOR
28	71387678	1	CHAFFER, GRAIN UPPER (1-1/8 SPACING)
	71392680	1	CHAFFER, RICE UPPER (1-5/8 SPACING)
	71397998	1	CHAFFER, CORN UPPER (1-5/8 SPACING)
	71399015	1	KIT, AIRFOIL CHAFFER (ORD. DEALER CNTRL)
	71395866	1	CHAFFER, AIRFOIL
	7703416	4	CAPSCREW, 3/8-16 X 1-1/4 GR8
	Y704734	4	NUT, HEX FLANGE TOP LOCK, 3/8-16
	70918266	4	WASHER, 3/8 NARROW

CONTINUED

MC00264
PR: 248

9790 COMBINE
SEPARATOR

SHAKER SHOE AND SIEVES
(PRIOR S/N HS36101)



**9790 COMBINE
SEPARATOR**

429

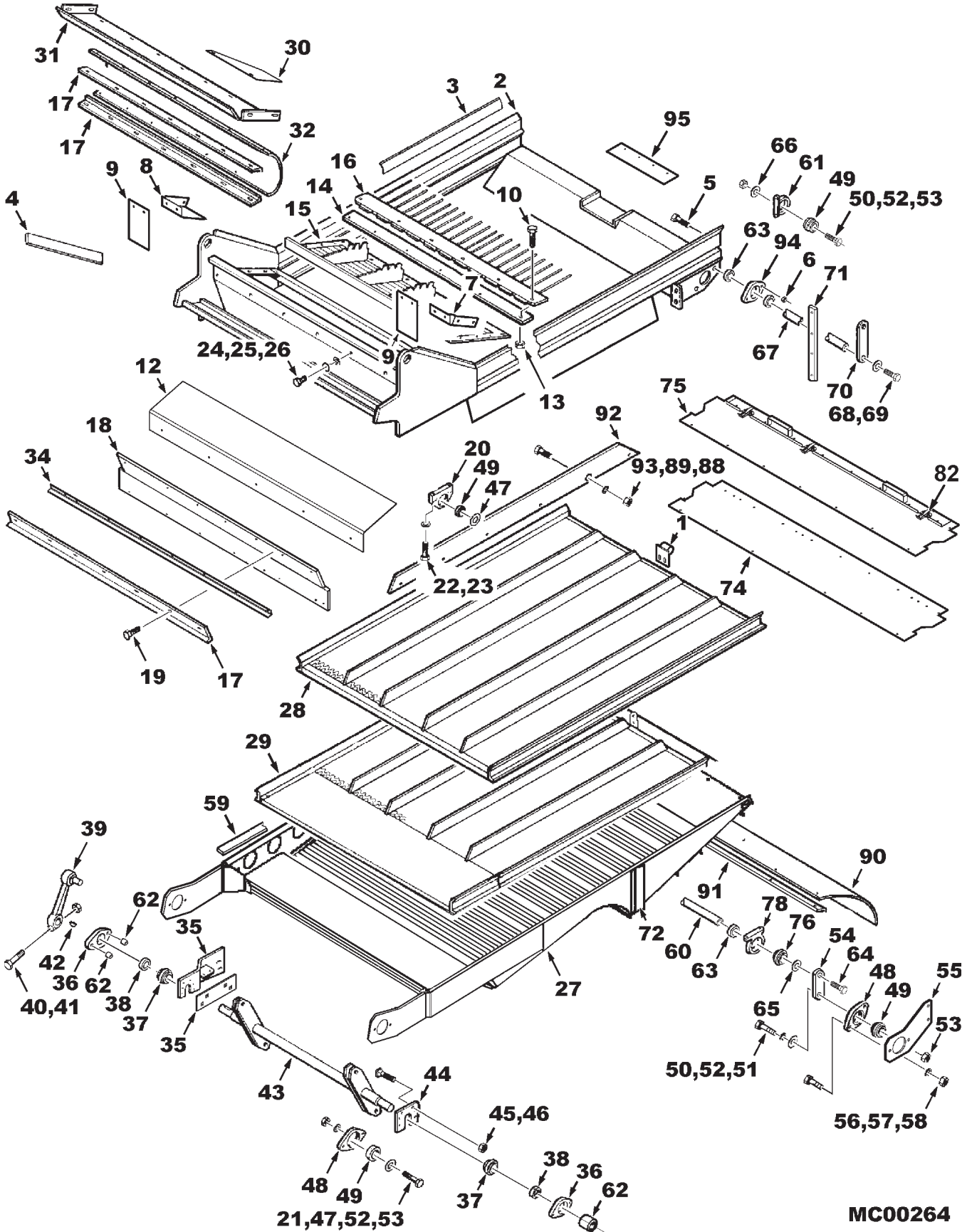
**SHAKER SHOE AND SIEVES
(PRIOR S/N HS36101)**

ITEM	NUMBER	QTY	DESCRIPTION
29	71387676	1	SIEVE, GRAIN/RICE, LOWER
	71387677	1	SIEVE, CORN LOWER
	702514	4	CAPSCREW, 3/8-16 X 2-1/4 GR8
	Y704734	4	NUT, HEX FLANGE TOP LOCK, 3/8-16
	70918266	4	WASHER, 3/8 NARROW
30	101126M1	2	SEAL, CORNER (PRIOR S/N HP36101)
	71406454	2	SEAL, CORNER (EFF. S/N HP36101)
	70921332	4	CAPSCREW, 5/16-18 X 3/4
	700709602	4	WASHER, 5/16, WIDE
	Y704726	4	NUT, HEX FLANGE TOP LOCK, 5/16-18
31	71388972	1	SHEET, DEFLECTOR
	70921965	4	CAPSCREW, 3/8-16 X 3/4
	70918266	4	WASHER, 3/8 NARROW
	Y704734	4	NUT, HEX FLANGE TOP LOCK, 3/8-16
32	71388974	1	SEAL, DEFLECTOR TO CASCADE PAN
	70921332	8	CAPSCREW, 5/16-18 X 3/4
	70923325	8	CAPSCREW, 5/16-18 X 7/8
	Y705608	16	WASHER, 5/16, NARROW
	Y704726	16	NUT, HEX FLANGE TOP LOCK, 5/16-18
34	71388973	1	ANGLE, STIFFENER
	70921332	10	CAPSCREW, 5/16-18 X 3/4 GR5
	Y704726	10	NUT, HEX FLANGE TOP LOCK, 5/16-18
35	71393529	1	SUPPORT ASSEMBLY, GRAIN ELEVATOR
	71400549	1	SPACER PLATE, ELEVATOR SUPPORT
	70926838	4	BOLT, RD HD SQ NECK, 1/2-13 X 1-1/2
	Y704742	4	NUT, HEX FLANGE TOP LOCK, 1/2-13
36	2492063W91	2	BEARING & HOUSING ASY, SHAKER SHAFT
	2403570W1	2	HOUSING, BEARING
	70921024	4	CAPSCREW, 1/2-13 X 2.0 GR5
	Y704742	4	NUT, HEX FLANGE TOP LOCK, 1/2-13
	70923014	2	LUBE FITTING, 1/8 NPT, 45 DEG
37	22602X	2	BEARING, WIDE INNER RACE W/COLLAR
38	14987	2	COLLAR, BEARING
39	2615181W91	1	ARM WLMT, SHOE SHAKER (SERVICE WITH 71409403 & 5/8 HRDWR)
	71409403	1	ARM WLMT, SHOE SHAKER (EFF. S/N HR36101)
	70921210	1	CAPSCREW, 3/8-16 X 1.0 GR5
	6875314	1	WASHER, SPECIAL
40	70926155	1	CPSCR, 1/2-13 X 3 GR8(W/ 2615181W91 ARM)
	700708270	1	CPSCR, 5/8-11 X 3 GR8 (W/ 71409403 ARM)
41	368384X1	1	NUT, 1/2-13 REG (W/ 2615181W91 ARM)
	700702198	1	NUT, 5/8-11 GR8 (W/ 71409403 ARM)
	11538	1	WASHER, .66 ID X 1.125 X .120 TH
42	70924906	1	KEY, WOODRUFF
43	71394544	1	SHAFT ASSEMBLY
44	2446400W1	1	PLATE, BEARING MOUNTING, LEFT
45	70931809	4	BOLT, CARRIAGE, 1/2-13 UNC X 1-1/4
46	Y704742	4	NUT, HEX FLNG TOP LOCK, 1/2-13 UNC
47	364578X1	4	WASHER, .906 ID X 1.53 OD X .106
48	1501060W1	4	HOUSING, BEARING
49	71308770	12	BEARING, BALL, W/COLLAR
50	1564540W1	4	CAPSCREW, SPECIAL, 7/8-9 UNC X 2

CONTINUED

MC00264
PR: 248

SHAKER SHOE AND SIEVES
(PRIOR S/N HS36101)



**9790 COMBINE
SEPARATOR**

431

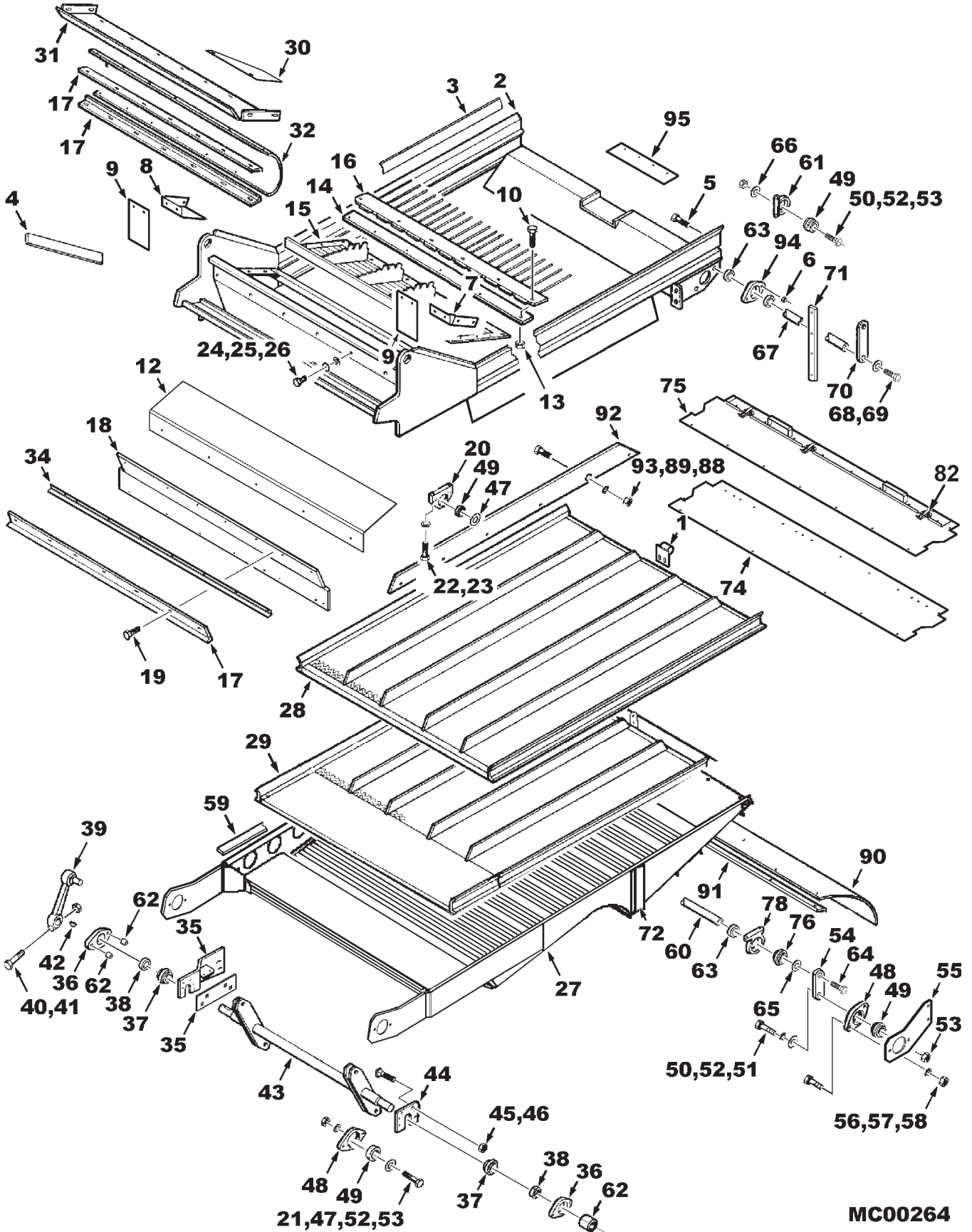
**SHAKER SHOE AND SIEVES
(PRIOR S/N HS36101)**

ITEM	NUMBER	QTY	DESCRIPTION
51	70922285	2	WASHER, WIDE FLAT, 7/8
52	70929356	8	LOCKWASHER, EXTERNAL TOOTH, 7/8
53	375114X1	8	NUT, HEX JAM, 7/8-9 UNC
54	2400540W1	2	HANGER, BEARING
55	71394540	2	SUPPORT, REAR SIEVE
56	70920415	4	CAPSCREW, 3/8-16 X 1-1/4 GR5
57	70916965	4	LOCKWASHER, 3/8
58	70916950	4	NUT, 3/8-16 UNC
59	71394119	2	SEAL, RUBBER, LOWER PAN
	70937253	30	RIVET, BLIND
60	71388975	1	ROD, TIE, REAR SHOE, 1.0 DIA
61	2551250W1	2	HOUSING, BEARING (SHALLOW)
	7701055	4	CAPSCREW, 3/8-16 X 1-3/4 GR5
	70917378	4	WASHER, 3/8 WIDE
	Y704734	4	NUT, HEX FLANGE TOP LOCK, 3/8-16
62	71381213	4	SPACER, .622 OD X .510 ID
63	375028X1	4	COLLAR, BEARING, 1.0 ID
64	70923151	2	CAPSCREW, 5/8-11 X 1-1/4 GR5
65	70918432	2	WASHER, 5/8, WIDE
66	70923544	2	WASHER, 7/8, NARROW
67	71391805	1	ROD TIE, REAR CHAFFER, 1.0 DIA
68	70918268	8	WASHER, NARROW FLAT, 5/8
69	70926161	2	CAPSCREW, 5/8-11 X 1-1/2 GR8
70	71395266	2	BAR, BEARING MOUNTING
	116616W1	1	BRKT, SHOE SENSOR, RH ONLY
71	2629570W1	2	STRAP, REINFORCING
72	71394841	2	SEAL, RUBBER
74	71393812	2	SEAL, SEPARATOR DOOR
	Y764126	10	POP RIVET, 3/16 X 1/4
75	71393813	1	DOOR ASY, SEPARATOR (INCL. ITEM 74 & 82)
	71396457	1	ANGLE WLDMT, SEPARATOR DOOR
	71393815	1	STRIP, REINF.
76	71308951	2	BEARING, BALL, W/COLLAR
78	71392691	2	BEARING & HOUSING ASY, (SHALLOW)
	2551250W1	2	HOUSING, BEARING (SHALLOW)
	70920415	4	CAPSCREW, 3/8-16 X 1-1/4 GR5
	70917378	4	WASHER, 3/8 WIDE
	Y704734	4	NUT, HEX FLANGE TOP LOCK, 3/8-16
82	762975	3	CLAMP, LATCH
	64642	6	RIVET, 3/16 X 1/2
88	70916622	24	NUT, 1/4-20 UNC (ACCESSORY)
89	70916964	24	LOCKWASHER, 1/4 (ACCESSORY)
90	71389185	1	SEAL, SHOE
91	71389184	1	STRIP, SIEVE CLAMP
92	71392677	4	EXTENSION, CHAFFER RISER (ACCESSORY)
93	70921959	24	CAPSCREW, 1/4-20 X 5/8 GR5 (ACCESSORY)

CONTINUED

MC00264
PR: 248

SHAKER SHOE AND SIEVES
(PRIOR S/N HS36101)



**9790 COMBINE
SEPARATOR**

433

**SHAKER SHOE AND SIEVES
(PRIOR S/N HS36101)**

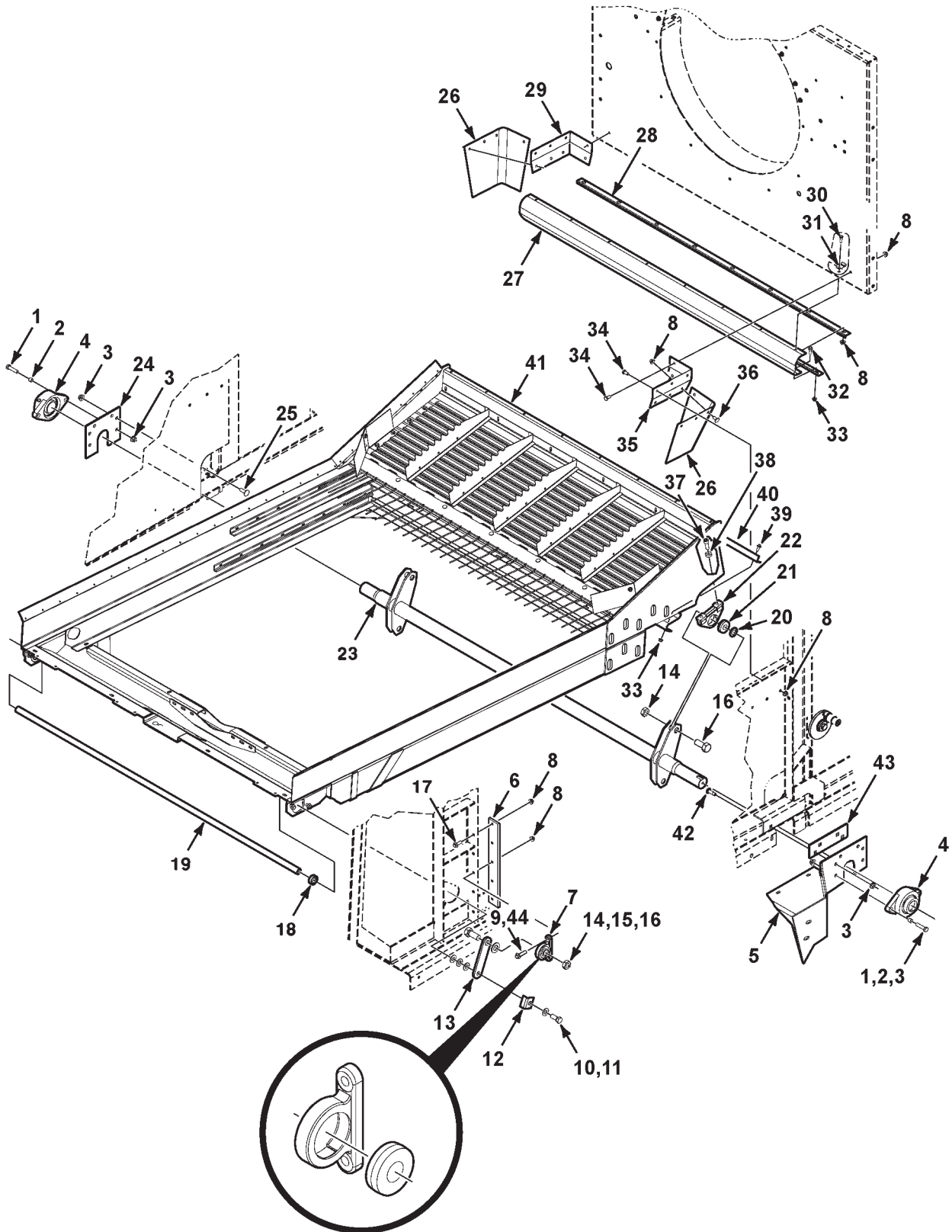
ITEM	NUMBER	QTY	DESCRIPTION
94	71392693	2	BEARING & HOUSING ASY.
	1501060W1	2	HOUSING, BEARING
	71308951	2	BEARING, W/COLLAR
95	71393818	1	SEAL, REAR CHAFFER FRAME
	70937253	4	RIVET, BLIND
-	71399009	-	*KIT, SIDE HILL CHAFFER RISERS
	71393440	4	EXTNSN, SEPARATOR PAN (SEE SEPARATOR PAN)
	71396462	4	EXTENSION, CASCADE PAN
	1157990W1	2	DEFLECTOR
	71392677	4	EXTENSION, CHAFFER RISER
-	71378013	-	*KIT, RISER, AIR FOIL CHAFFER DIVIDER
-	71399011	-	*KIT, CHAFFER/SIEVE GRAIN (INCL ITEMS IN 28,29)
-	71399013	-	*KIT, CHAFFER/SIEVE CORN (INCL ITEMS IN 28,29)
-	71399015	-	*KIT, AIRFOIL CHAFFER (GRAIN & RICE)
-	71409409	-	KIT, SHOE FRAME & SHAKER ARM CAMPAIGN (S/N HM36101 THRU HP36999)(INCL. FOLLOWING)
	71407928	1	CENTER CHANNEL
	700708270	1	CAPSCREW, 5/8-11 X 3 GR8
	11538	1	WASHER, .660 X 1.13 X .120 TH
	70936296	1	NUT, 5/8-11 GR8
-	700525379	-	KIT, CLEANING SHOE, UPGRADE MODIFICAT'NS (S/N HM36101)

*ORDER THRU DEALER CENTRAL

MC00264
PR: 248

9790 COMBINE
SEPARATOR

SHOE SHAKER
(EFF. S/N HS36101)



**9790 COMBINE
SEPARATOR**

435

**SHOE SHAKER
(EFF. S/N HS36101)**

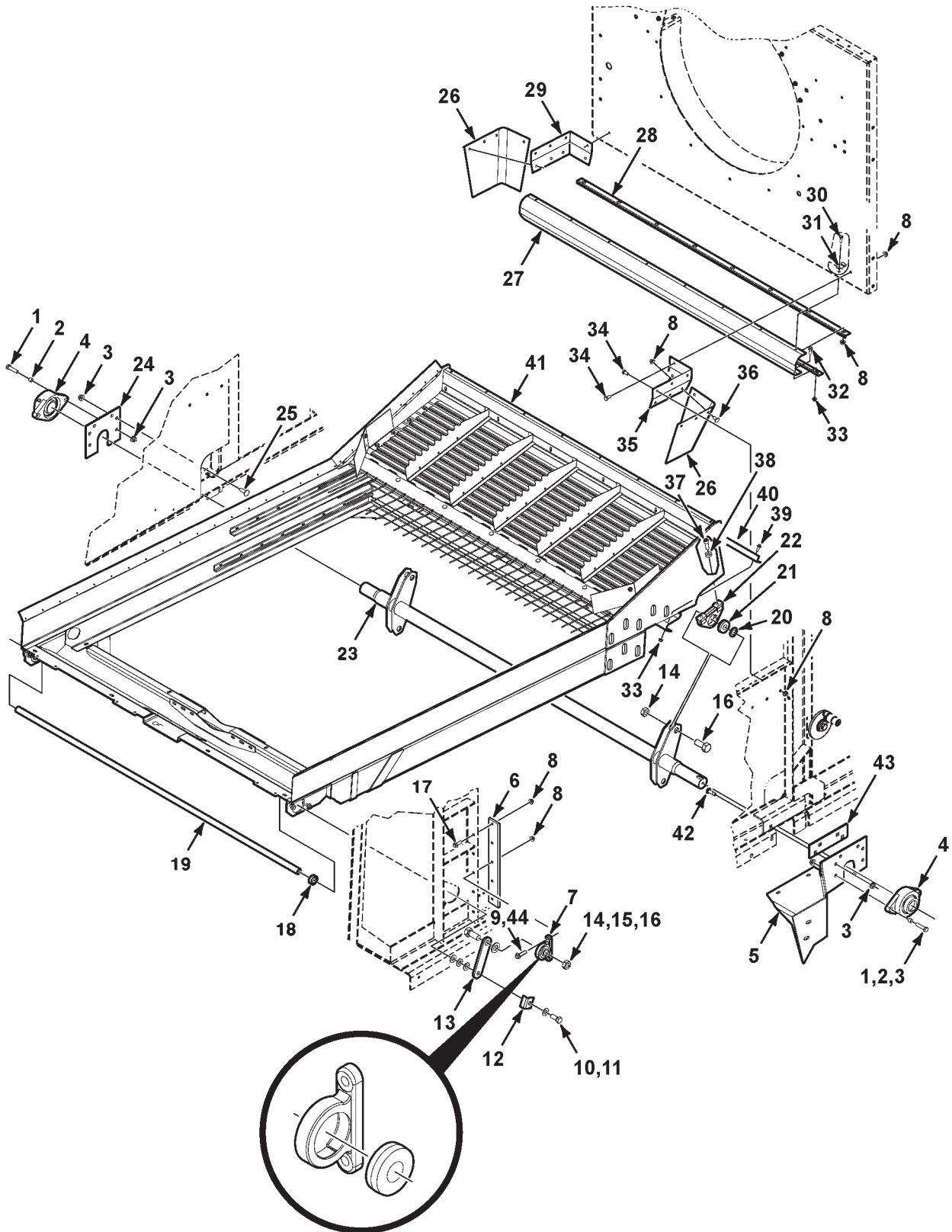
ITEM	NUMBER	QTY	DESCRIPTION
1	70921024	4	CAPSCREW, 1/2-13 X 2.0 GR5
2	71413494	4	SLEEVE, IDLER BEARING
3	Y704742	12	NUT, HEX FLANGE TOP LOCK, 1/2-13 UNC
4	2492063W91	2	BRG. & HSG. ASY
	2403570W1	1	HOUSING, BEARING
	14987	1	COLLAR, BEARING
	22602X	1	BEARING, WIDE INNER RACE
	70923014	1	LUBE FTG, 1/8 PIPE SPL, 45 DEG
5	71393529	1	SUPPORT WA, GRAIN ELEVATOR
6	2629570W1	2	STRAP, REINFORCING
7	-----	2	BEARING ASSEMBLY (NOT SERVICED)
	2551250W1	1	HOUSING-BEARING
	71308770	1	BEARING, BALL
8	Y704734	32	NUT, HEX FLANGE TOP LOCK, 3/8-16
9	70921971	4	CAPSCREW, 3/8-16 X 1-3/4 GR5
10	70926161	2	CAPSCREW, 5/8-11 X 1-1/2 GR8
11	70918268	8	WASHER, 5/8 NARROW
12	116616W1	2	BRACKET-SHOE SPEED SENSOR
13	71414291	2	ARM-SHOE HANGER
14	7774383	4	JAM NUT, 7/8-9 UNC
15	70923544	2	WASHER, 7/8, NARROW
16	1564540W1	4	CAPSCREW, 7/8-9 UNC X 2 GR5, SPECIAL
17	70921210	4	CAPSCREW, 3/8-16 X 1.0 GR5
18	375028X1	2	COLLAR, BEARING, W/ SETSCREW
19	71391805	1	TIE ROD-SEPARATOR FRAME
20	364578X1	2	WASHER, .906 X 1.5 X .106 TH
21	71308770	2	BEARING-SPHERICAL, W/O COLLAR
22	71401429	2	HOUSING-BEARING, CHAFFER FRAME
23	71412141	1	SHAFT WA-SHAKER
24	2446400W1	1	PLT.-BRG.MOUNT-SHOE SHAKER SHAFT
25	70931809	4	BOLT, RND HD SQ NK, 1/2-13 X 1-1/4
26	71408494	2	SEAL-CORNER
27	71408477	1	SEAL-TOP
28	71387703	2	ANGLE-SEAL CLAMPING
29	71408493	1	BRACKET, LH CORNER
30	70923325	16	CAPSCREW, 5/16-18 X 7/8 GR5
31	70937685	4	J-CLIP, 3/8 DIA X .406 HOLE
32	Y705608	16	WASHER, 5/16 NARROW
33	Y704726	26	NUT, HEX FLANGE TOP LOCK, 5/16-18
34	70921965	8	CAPSCREW, 5/16-18 X 3/4 GR5
35	71408492	1	BRACKET, RH CORNER
36	7770456	8	BOLT, RND HD SQ NK, 3/8-16 X 3/4 GR5
37	70912278	4	CAPSCREW, HEX SCKT HD, 1/2-13 X 1-1/2
38	71406957	4	SPACER-SHOE BRG
39	70921332	10	CAPSCREW, 5/16-18 X 3/4 GR5
40	71388973	1	ANGLE-STIFFENER, FAN HSG

CONTINUED

MC00560
PR: t07a23o20b0008

9790 COMBINE
SEPARATOR

SHOE SHAKER
(EFF. S/N HS36101)



9790 COMBINE
SEPARATOR

437

SHOE SHAKER
(EFF. S/N HS36101)

ITEM	NUMBER	QTY	DESCRIPTION
41	71413548	1	UPPER FRAME & SIEVES ASY (SEE BREAKDOWN)
42	70926838	4	BOLT, RND HD,SQ NK, 1/2-13 X 1-1/2
43	71400549	1	SPACER-ELEVATOR SUPPORT
44	70917378	4	WASHER, 3/8 WIDE
45	71387678	1	CHAFFER, GRAIN UPPER (1-1/8 SPACING)
	71397998	1	CHAFFER, CORN UPPER (1-5/8 SPACING) (NOT ILLUSTRATED)
	71399015	1	KIT, AIRFOIL CHAFFER (ORD. DEALER CNTRL)
	71395866	1	CHAFFER, AIRFOIL
	7703416	4	CAPSCREW, 3/8-16 X 1-1/4 GR8
	Y704734	4	NUT, HEX FLANGE TOP LOCK, 3/8-16
	70918266	4	WASHER, 3/8 NARROW
46	71387676	1	SIEVE, GRAIN/RICE, LWR (NOT ILLUSTRATED)
	71387677	1	SIEVE, CORN LOWER (NOT ILLUSTRATED)
-	71399011	AR	*KIT, CHAFFER & SIEVE, GRAIN/RICE
-	71399013	AR	*KIT, CHAFFER & SIEVE, CORN

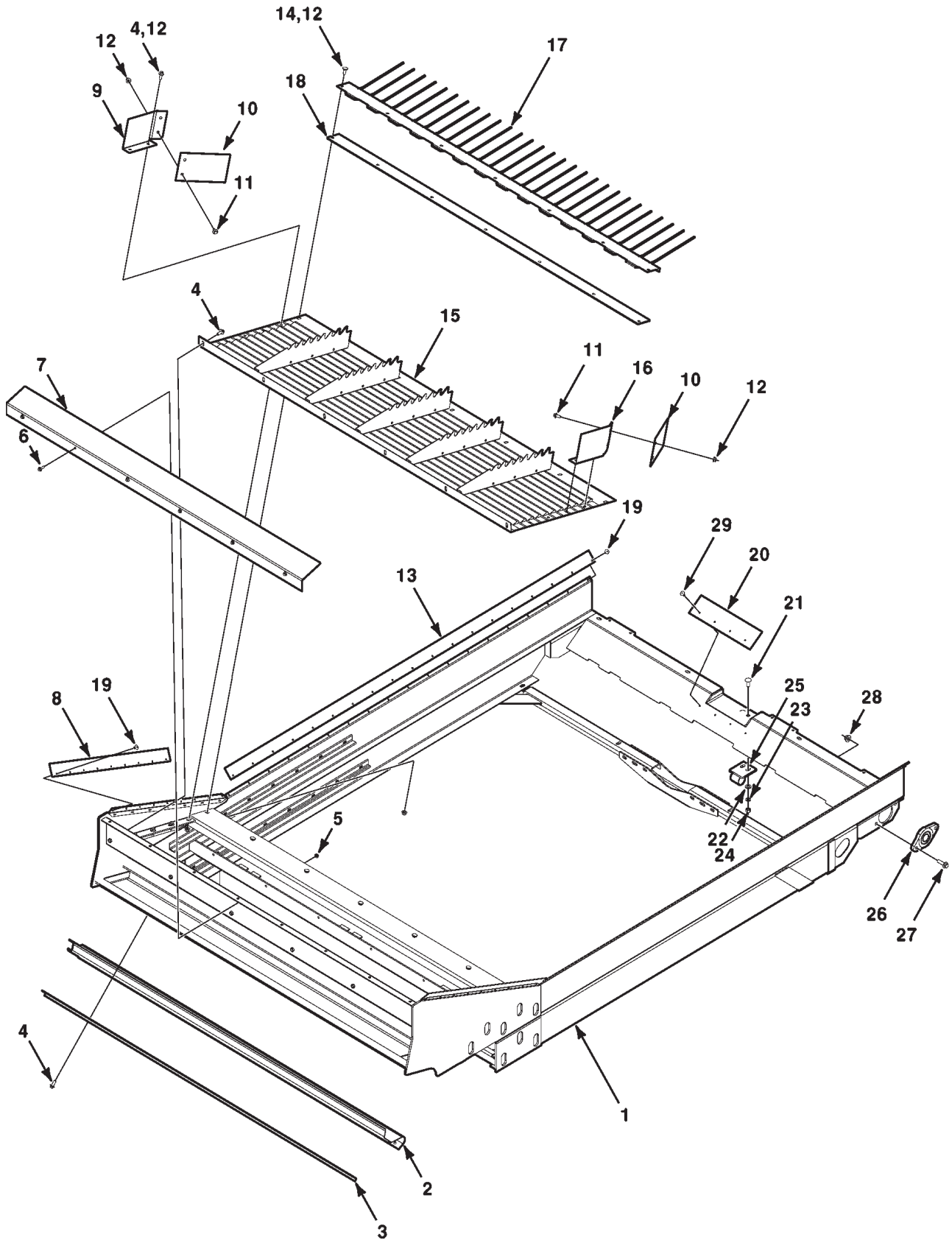
*ORDER THRU DEALER CENTRAL

MC00560

PR: t07a23o20b0008

9790 COMBINE
SEPARATOR

CLEANING SHOE
UPPER FRAME & SIEVES



**9790 COMBINE
SEPARATOR**

439

**CLEANING SHOE
UPPER FRAME & SIEVES**

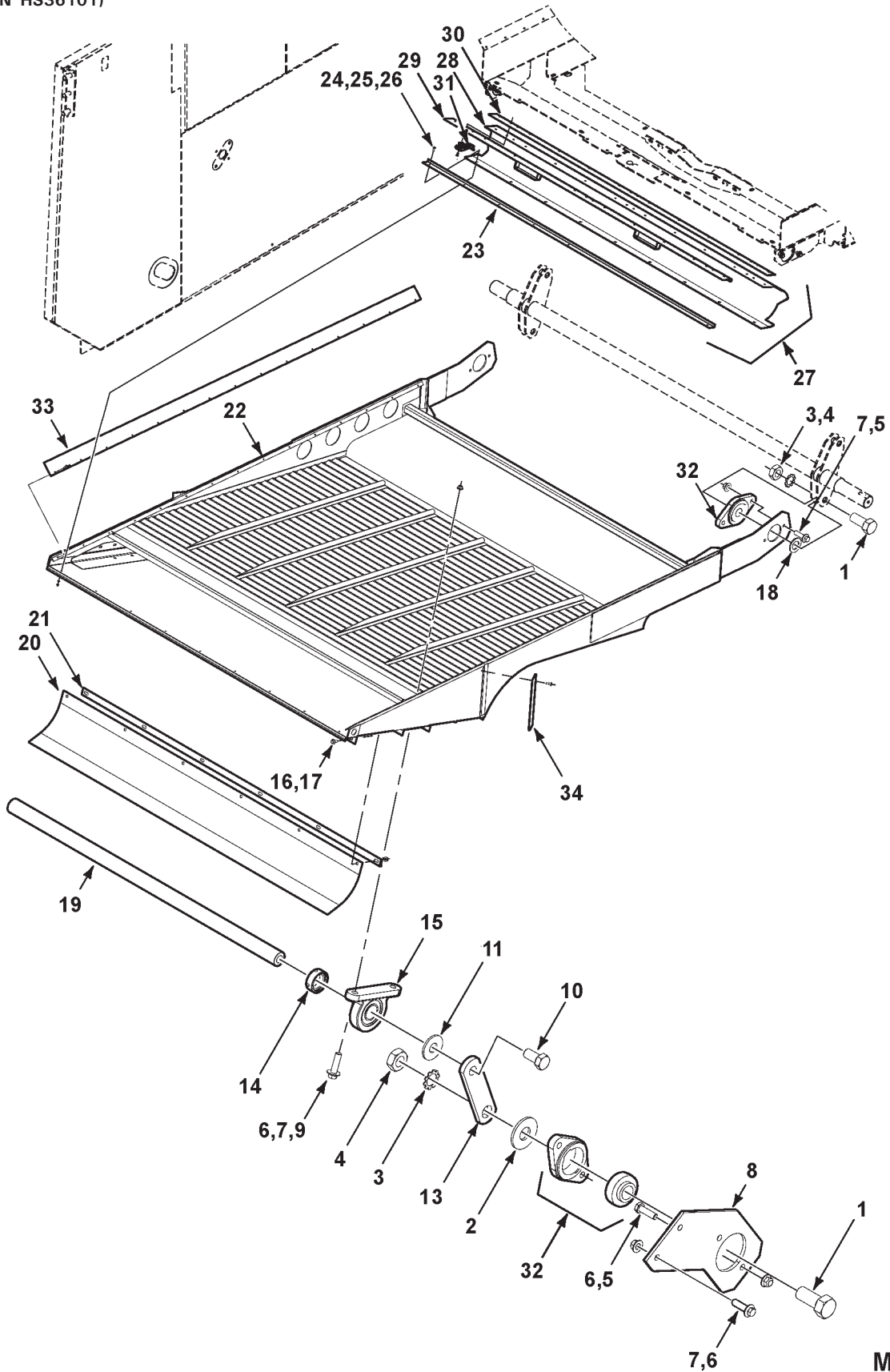
ITEM	NUMBER	QTY	DESCRIPTION
-	71413548	1	UPPER FRAME & SIEVES ASY
1	---	1	FRAME WA-CLEANING SHOE (NOT SERVICED)
2	71388494	1	SEAL, SEPARATOR FRAME TO FAN HOUSING
3	71387703	1	ANGLE, SEAL CLAMPING
4	339123X1	22	BOLT, FLANGE, M8-1.25 X 20 CL10.9
5	5000002X1	6	NUT, HEX FLANGE NYL LOCK, M6 X 1.0
6	3009183X1	6	BOLT, FLANGE, M6-1.0 X 20 CL10.9
7	71395263	1	PLATE, DAMPER, SEPARATOR
8	71407946	2	SEAL, SHORT
9	71395583	1	DEFLECTOR, RH CASCADE PAN
10	71395589	3	EXTENSION, DEFLECTOR, CASCADE PAN
11	3009920X1	2	BOLT, FLANGE, M8-1.25 X 16 CL10.9
12	5000003X1	10	NUT, HEX FLANGE NYL LOCK, M8 X 1.25
13	71386394	2	SEAL-REAR CHAFFER
14	PZND1041V	7	BOLT, RD HD SQ NK, M8-1.25 X 20 CL8.8
15	71407942	1	PAN WA, CASCADE
16	71395582	1	DEFLECTOR, LH CASCADE PAN
17	71388476	1	COMB ASY, CASCADE PAN
18	71388968	1	STRIP, RUBBER, SEPARATOR FRAME
19	70937253	56	POP-RIVET .188 X .063-.25 LG DOME HD
20	71393818	1	SEAL, REAR, SEPARATOR FRAME
21	390809X1	2	BOLT, RD HD SQ NK, M10-1.5 X 25 CL8.8
22	390734X1	2	WASHER, M10, NARROW
23	339376X1	2	LOCKWASHER, M10
24	339402X1	2	NUT, M10 X 1.5, REG
25	71397168	1	BUSHING ASY, TIE ROD
26	71392693	2	BEARING ASSEMBLY
	1501060W1	1	HOUSING
	71308951	1	BEARING, W/COLLAR
27	3009208X1	4	BOLT, FLANGE, M10-1.5 X 35 CL10.9
28	5000004X1	4	NUT, HEX FLANGE NYL LOCK, M10 X 1.5
29	70937254	4	POP-RIVET .188 X .25-.375 LG DOME HD

MC00472

PR: t06g24h33d0106

9790 COMBINE
SEPARATOR

CLEANING SHOE
LOWER PAN
(EFF. S/N HS36101)



**9790 COMBINE
SEPARATOR**

441

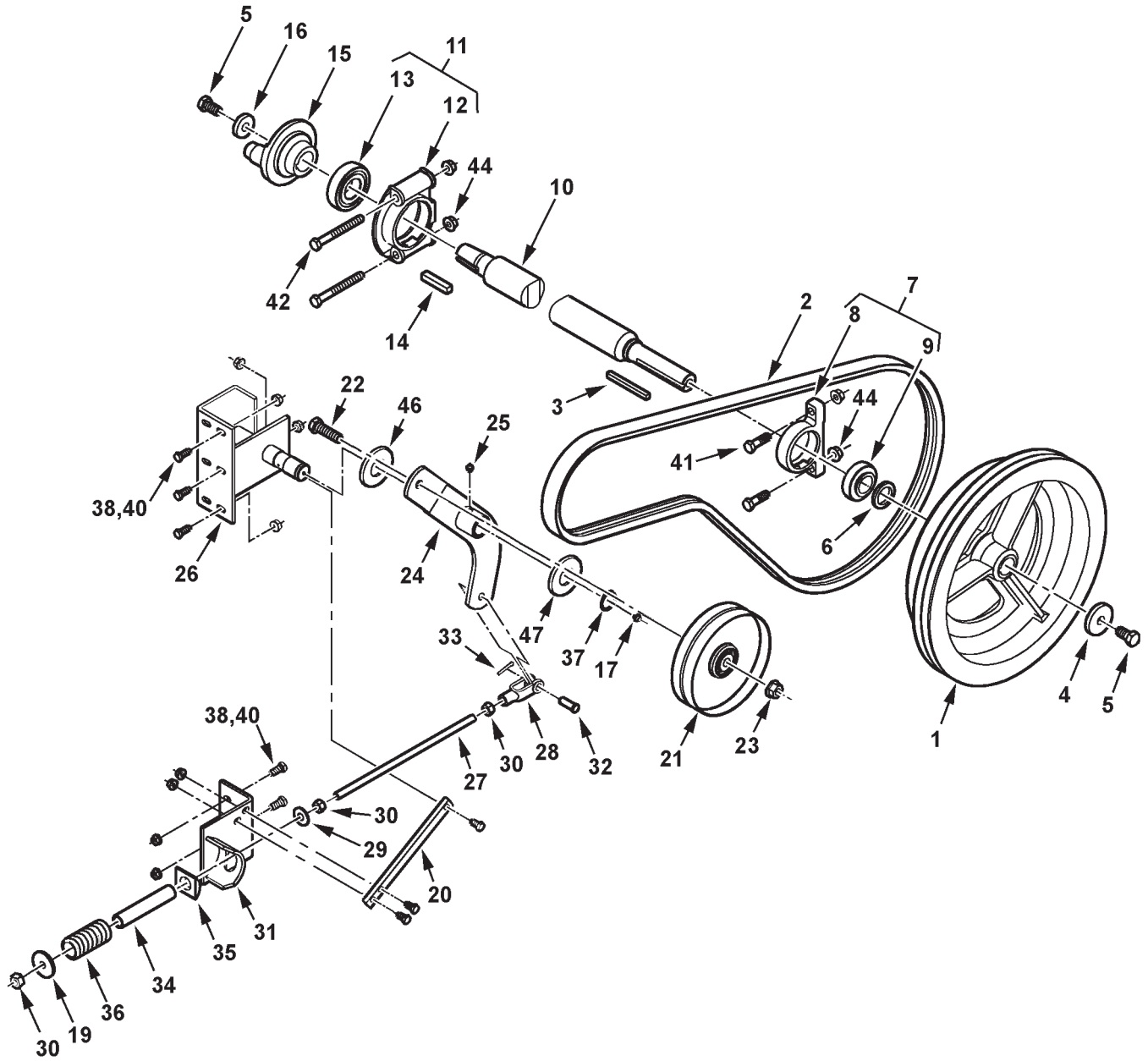
**CLEANING SHOE
LOWER PAN
(EFF. S/N HS36101)**

ITEM	NUMBER	QTY	DESCRIPTION
1	1564540W1	4	CAPSCREW, 7/8-9 UNC X 2 GR5, SPECIAL
2	700709608	2	WASHER, 7/8, WIDE
3	70929356	4	LOCKWASHER, EXT. TOOTH, 7/8
4	7774383	4	JAM NUT, 7/8-9 UNC
5	70916965	4	LOCKWASHER, 3/8
	70916950	4	NUT, 3/8-16 REG
6	70920415	16	CAPSCREW, 3/8-16 X 1-1/4 GR5
7	Y704734	4	NUT, HEX FLANGE TOP LOCK, 3/8-16
8	71394540	2	SUPPORT, BEARING, REAR
9	70917378	4	WASHER, 3/8 WIDE
10	70923151	2	CAPSCREW, 5/8-11 X 1-1/4 GR5
11	70918432	2	WASHER, 5/8, WIDE
13	2400540W1	2	BAR-REAR HANGER
14	375028X1	2	COLLAR, BEARING
15	71392691	2	BEARING ASY, SHALLOW
	71308951	1	BEARING
	2551250W1	1	HOUSING
16	70921332	2	CAPSCREW, 5/16-18 X 3/4 GR5
17	Y704726	2	NUT, HEX FLANGE TOP LOCK, 5/16-18
18	364578X1	2	WASHER, .906 X 1.5 X .106 TH
19	71388975	1	ROD, TIE, LOWER PAN
20	71389185	1	SEAL-REAR
21	71389184	1	STRIP-CLAMPING, REAR SEPARATOR FRAME
22	71409926	1	PAN ASY, LOWER, W/ SIDE SEALS
23	71389182	1	STRIP-CLAMPING, SEPARATOR
24	373115X1	9	SCREW, PAN HD. MACH, #10-24 X 5/8
25	705004	9	LOCKWASHER, #10
26	70916621	9	NUT, #10-24, REG
27	71409932	1	DOOR ASY, REAR SHOE (INCL. ITEMS 28-31)
28	71393812	1	SEAL, RUBBER, SHOE DOOR
29	71396457	1	ANGLE WLMT, SHOE DOOR
30	71393815	1	REINF. STRIP, SHOE DOOR
	Y764126	10	POP RIVET, 3/16 X .125-.250 GRIP
31	762975	3	CLAMP, OVER-CENTER
	64642	6	POP RIVET, 3/16 X .250-.375 GRIP
32	1501043W91	4	BEARING & HOUSING ASY
	71308770	1	BEARING, W/O COLLAR
	1501060W1	1	HOUSING, BEARING
33	71394119	2	SEAL, RUBBER, LOWER PAN
	70937253	15	POP-RIVET .188 X .063-.25 LG DOME HD
34	71394841	2	SEAL, RUBBER, PAN SIDE
	70937253	10	POP-RIVET .188 X .063-.25 LG DOME HD

MC00559

PR: t07a23o20b0009

PITMAN DRIVE
(PRIOR S/N HS36101)



**9790 COMBINE
SEPARATOR**

443

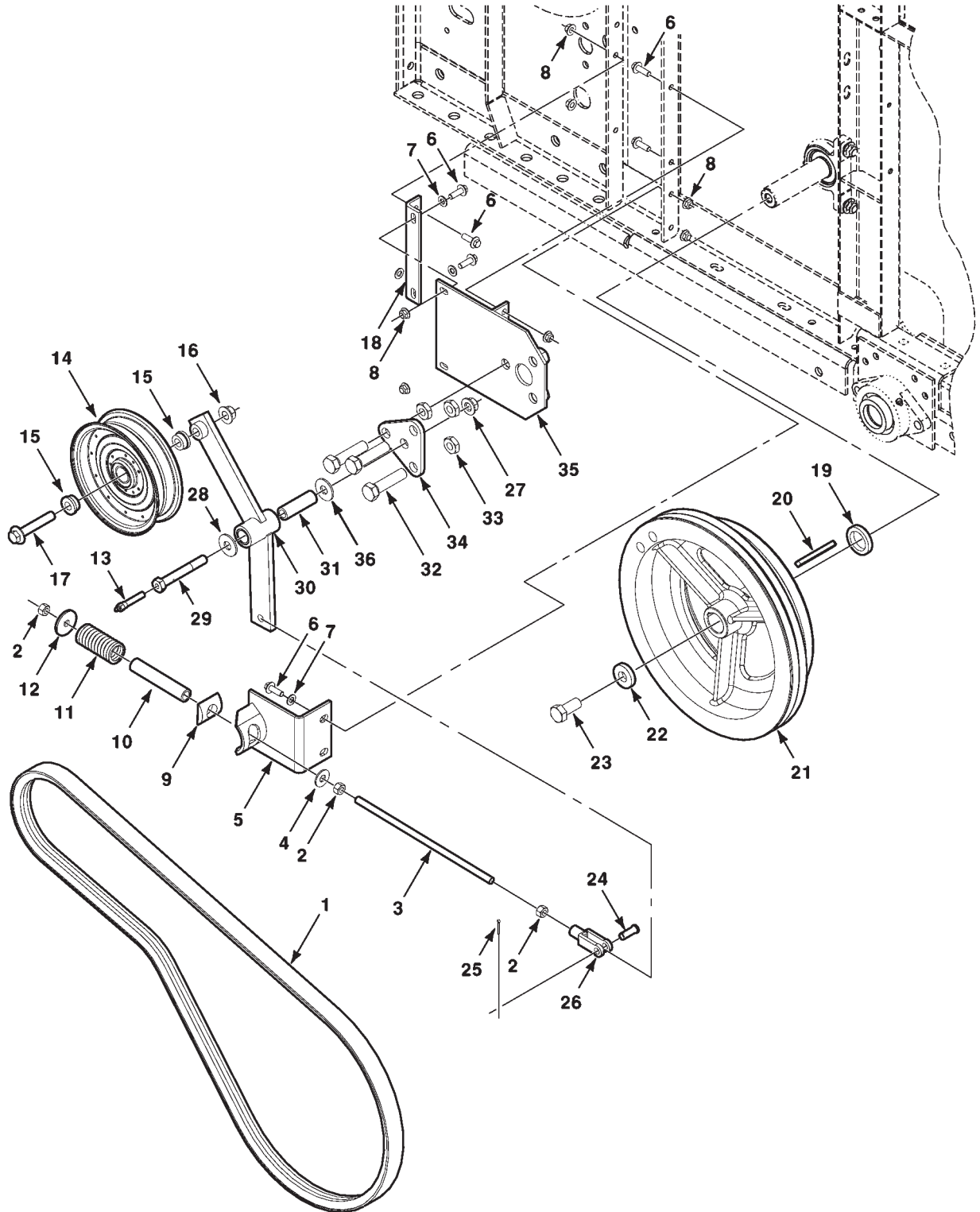
**PITMAN DRIVE
(PRIOR S/N HS36101)**

ITEM	NUMBER	QTY	DESCRIPTION
1	2449760W1	1	PULLEY, DRIVE
2	71390199	1	BELT (SEE BELT LISTING)
3	61523	1	KEY, SQ, 3/8 X 4
4	2407570W1	1	WASHER, 21/32 X 2-3/8 X 3/8
5	70923151	2	CAPSCREW, 5/8-11 X 1-1/4 GR5
6	2619570W1	1	SPACER, PITMAN SHEAVE
7	-----	1	BEARING & HSG ASY (ORDER ITEMS 8 & 9)
8	1605510W1	1	HOUSING
9	50021	1	BEARING BALL
10	71412434	1	SHAFT, PITMAN DRIVE
11	-----	1	BEARING & HSG ASY. (ORDER ITEMS 12 & 13)
12	2590650W1	1	HOUSING
13	31-1588410	1	BEARING
14	70918168	1	KEY, 3/8 X 3/8 X 1-3/4
15	71396469	1	HUB, PITMAN DRIVE
16	2476070W1	1	WASHER, 21/32 X 1-3/4 X 3/8
17	13811X	1	LUBE FITTING, STR, 1/4-28 TAPER THD
19	70923094	1	WASHER, FLAT, .531 X 2.0 X .180
20	71390853	1	STRAP, REINFORCEMENT
	70921210	3	CAPSCREW, 3/8-16 X 1.0 GR5
	Y704734	3	NUT, HEX FLANGE LOCK, 3/8-16 UNC
21	2614090W1	1	IDLER PULLEY, FLAT
22	70921360	1	CAPSCREW, 5/8-11 X 2-1/4 GR5
23	700703922	1	NUT, HEX FLANGE TOP LOCK, 5/8-11
24	2613771W91	1	IDLER ARM WLDMT, PITMAN
25	70914465	1	LUBE FITTING, 1/8-27 NPTF
26	71390851	1	BRACKET ASY, PIVOT
27	71382871	1	ROD, ALL THD, 1/2-13 X 14" LG
28	70937465	1	YOKE
29	70918431	1	WASHER, 1/2 WIDE
30	704031	3	NUT, 1/2-13 UNC, REG
31	71390196	1	BRACKET, PULLEY ROD ANCHOR
32	70929593	1	PIN, CLEVIS, 1/2 X 1-13/64
33	70918452	1	PIN, COTTER, 1/8 X 1.0
34	71382868	1	SPACER, SPRING
35	71356058	1	BLOCK, PIVOT
36	71382716	1	SPRING
37	70926957	1	RING, RETAINING
38	70921210	5	CAPSCREW, 3/8-16 X 1.0 GR5
40	Y704734	5	NUT, HEX FLANGE TOP LOCK, 3/8-16 UNC
41	70919089	2	CAPSCREW, 1/2-13 X 1-3/4 GR5
42	70925974	2	CAPSCREW, 1/2-13 X 4-1/2 GR8
44	Y704742	4	NUT, HEX FLANGE TOP LOCK, 1/2-13 UNC
46	104207W1	1	WASHER, SHIM, 1-1/4 X 1-3/4 X .030 TH
47	70937716	1	WASHER, 1-5/16 X 2-1/2 X .150 TH

MC00378
PR: 254

9790 COMBINE
SEPARATOR

PITMAN DRIVE
(EFF. S/N HS36101)



**9790 COMBINE
SEPARATOR**

445

**PITMAN DRIVE
(EFF. S/N HS36101)**

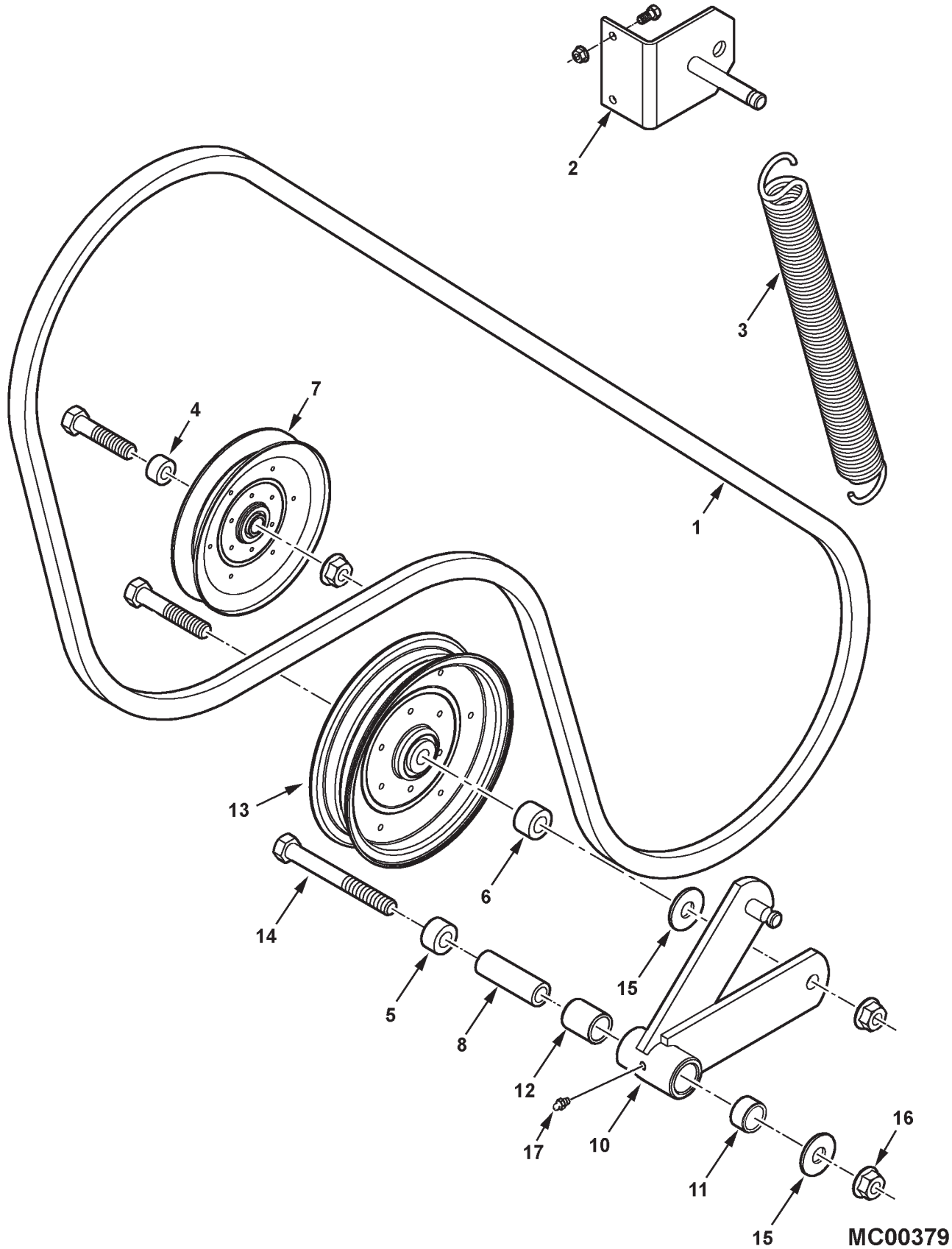
ITEM	NUMBER	QTY	DESCRIPTION
1	71390199	1	BELT-PITMAN DRIVE
2	704031	3	NUT, 1/2-13 REG
3	71382871	1	ROD-ALL THREAD
4	70918431	1	WASHER, 1/2 WIDE
5	71390196	1	ANCHOR WA-SPRING
6	3009207X1	9	BOLT, FLANGE, M10-1.5 X 30 CL10.9
7	390734X1	4	WASHER, M10, NARROW
8	5000004X1	8	NUT, HEX FLANGE NYL LOCK, M10 X 1.5
9	71356058	1	BLOCK-PIVOT
10	71382868	1	SPACER-SPRING
11	71382716	1	SPRING-IDLER
12	70923094	1	WASHER, .53 X 2.0 X .18 TH.
13	70914767	1	LUBE FTG 1/8 PIPE THREAD FEM, 1.0 LG
	7792922	1	PIPE NIPPLE, 1/8-27 X 2.0 LG
14	71309767	1	IDLER
15	71312602	2	SPACER, IDLER
16	5000006X1	1	NUT, HEX FLANGE NYL LOCK, M16 X 2.0
17	3009244X1	1	BOLT, FLANGE, M16-2.0 X 90 CL10.9
18	71406344	1	ANGLE-SUPPORT
19	2619570W1	1	SPACER, PITMAN SHAFT
20	61523	1	KEY, 3/8 SQ X 4"
21	2449760W1	1	SHEAVE, PITMAN DRIVEN
22	2407570W1	1	WASHER, .66 ID X 2.38 X .38 TH
23	70923151	1	CAPSCREW, 5/8-11 X 1-1/4 GR5
24	70929593	1	PIN, CLEVIS, 1/2 X 1.36 LG.
25	70918452	1	COTTER PIN, 1/8 X 1
26	70937465	1	YOKE, ROD END, 1/2-13
27	700703922	1	NUT, HEX FLANGE TOP LOCK, 5/8-11
28	70918432	1	WASHER, 5/8, WIDE
29	2636170W1	1	CAPSCREW, 5/8-11 X 4-1/2, SPECIAL
30	71406345	1	IDLER ARM ASY, PITMAN DRIVE
	1689170W1	2	BUSHING, 1.25 OD X .750 LG
31	2636210W1	1	SLEEVE, PIVOT
32	5000018X1	3	CAPSCREW, M20-2.5 X 80 FULL THD, CL8.8
33	3009747X1	3	JAM NUT, M20 X 2.5
34	71400686	1	PLATE-MOUNTING
35	71406341	1	SUPPORT WA-PIVOT
36	70937005	1	WASHER, 5/8, NARROW, HARD

MC00474

PR: t07a23o20b0010

9790 COMBINE
SEPARATOR

GRAIN ELEVATOR DRIVE
(PRIOR S/N HP36101)



**9790 COMBINE
SEPARATOR**

447

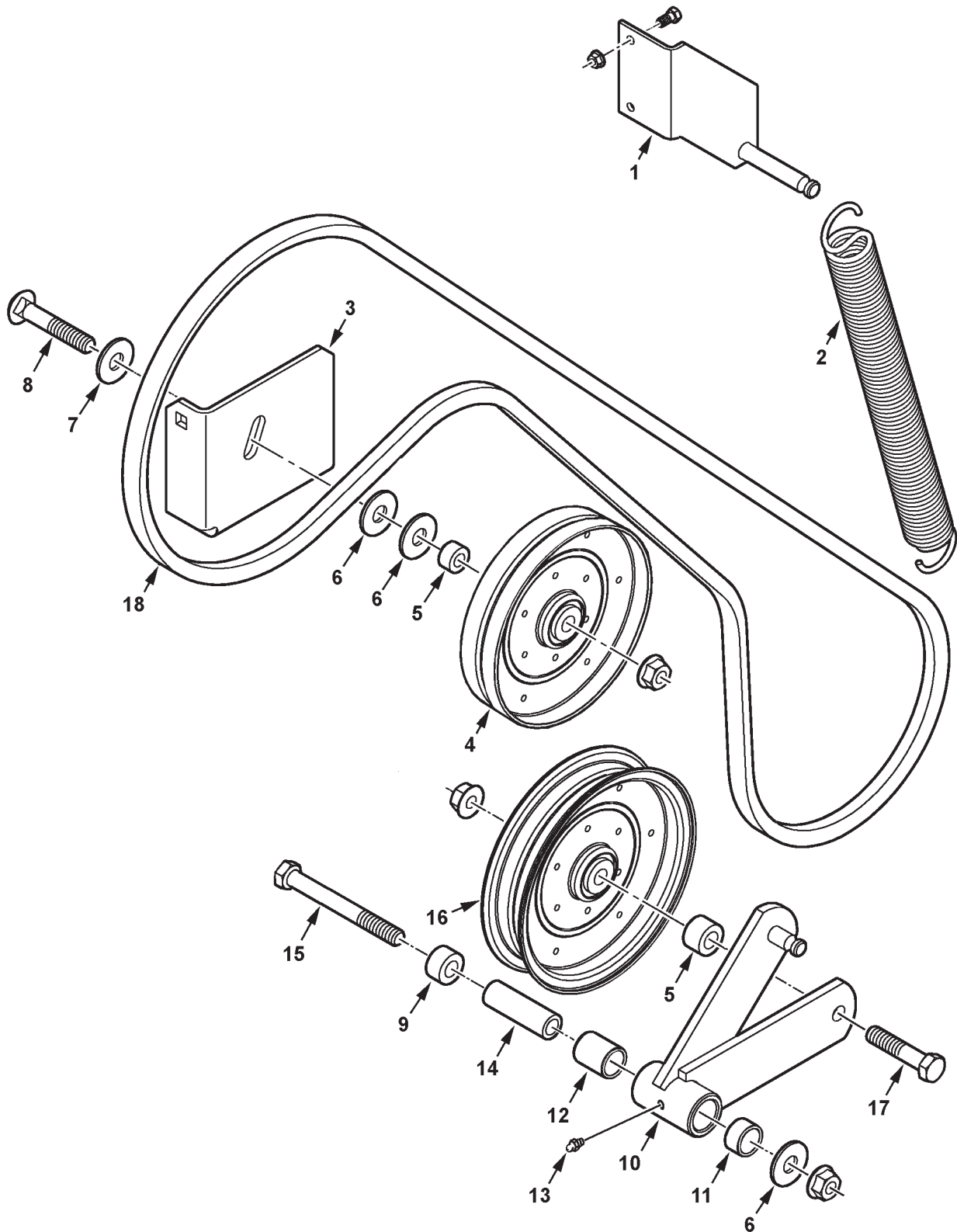
**GRAIN ELEVATOR DRIVE
(PRIOR S/N HP36101)**

ITEM	NUMBER	QTY	DESCRIPTION
1	227455M1	1	BELT, GRAIN ELEVATOR DRIVE
2	2620871W91	1	ANCHOR WLDMT, SPRING
	70921332	2	CAPSCREW, 5/16-18 X 3/4
	Y704726	2	NUT, HEX FLANGE TOP LOCK, 5/16-18
3	2620920W1	1	SPRING, GRAIN ELEVATOR DRIVE
4	360555X1	1	SPACER, 21/32 X 1-1/4 X 11/16 LG
5	151257M1	1	SPACER, 11/16 X 1-1/4 X 1-3/16 LG
6	2451440W1	1	SPACER, 11/16 X 1-1/4 X 13/16 LG
7	31-2446490	1	IDLER PULLEY, 7-5/16 OD
	70919434	1	CAPSCREW, 5/8-11 X 2-3/4
	70918432	1	WASHER, WIDE FLAT, 5/8
	700703922	1	NUT, HEX FLANGE TOP LOCK, 5/8-11
8	2441490W1	1	SLEEVE, .640 ID X .992 X 3.06 LG
10	2620853W91	1	ARM ASSEMBLY (INCL. ITEMS 11 & 12)
11	1689170W1	1	BUSHING, 1 X 1-1/4 X 3/4
12	1742670W1	1	BUSHING, 1 X 1-1/4 X 1-1/2
13	2553560W1	1	IDLER, FLAT, 8-3/4 OD
	70925702	1	CAPSCREW, 5/8-11 X 3-1/2
	70918432	1	WASHER, WIDE FLAT, 5/8
	700703922	1	NUT, HEX FLANGE TOP LOCK, 5/8-11
14	70925706	1	CAPSCREW, 5/8-11 X 5-1/2 GR5
15	70918432	2	WASHER, WIDE FLAT, 5/8
16	700703922	1	NUT, HEX FLANGE TOP LOCK, 5/8-11
17	70914465	1	LUBE FITTING, 1/8-27 NPTF
-	71406309	AR	DRIVE KIT, CLEAN GRAIN (UPGRADE TO ELEV. DRIVE EFF. S/N HP36101)(INCLUDES STRAP 71407326, QTY 1, FOR STEP) (SERVICE COMP'TS ON FOLLOWING PAGE)

MC00379
PR: t05b08m42d0017

9790 COMBINE
SEPARATOR

GRAIN ELEVATOR DRIVE
(EFF. S/N HP36101)



**9790 COMBINE
SEPARATOR**

449

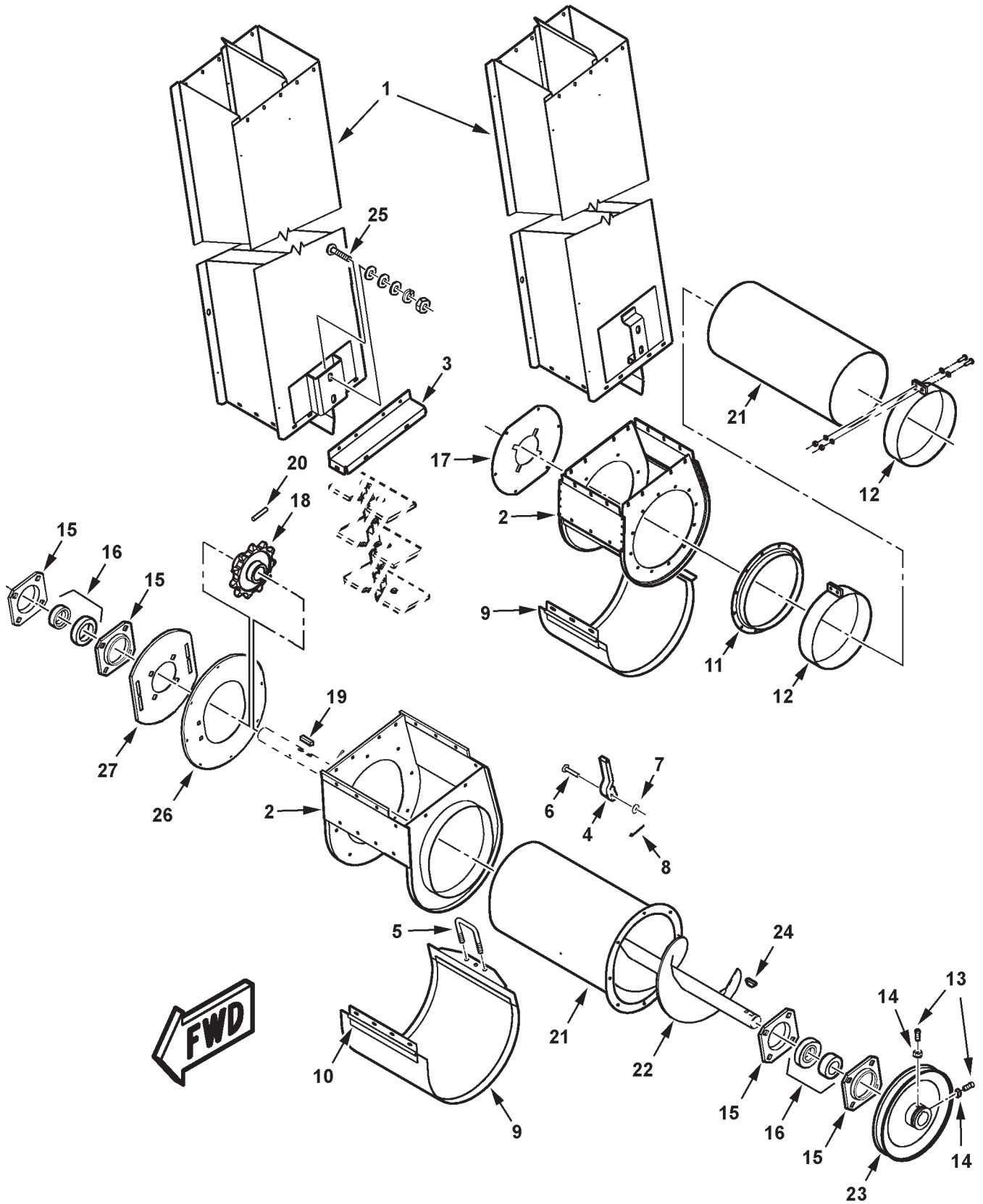
**GRAIN ELEVATOR DRIVE
(EFF. S/N HP36101)**

ITEM	NUMBER	QTY	DESCRIPTION
1	71403684	1	ANCHOR WLDMT, SPRING
	70921332	2	CAPSCREW, 5/16-18 X 3/4 GR5
	Y704726	2	NUT, HEX FLANGE TOP LOCK, 5/16-18
2	1579720W1	1	SPRING, TENSION
3	71403680	1	SUPPORT BRACKET, IDLER
	68619	2	BOLT, RND HD SQ NECK, 1/2-13 X 1-1/4
	70928367	1	BOLT, RND HD SQ NECK, 1/2-13 X 1
	Y704742	3	NUT, HEX FLANGE TOP LOCK, 1/2-13
4	2614090W1	1	IDLER ASY, FLAT
5	2451440W1	2	SPACER, IDLER
6	70918432	3	WASHER, 5/8, WIDE
7	700709608	1	WASHER, 7/8, WIDE
8	364988X1	1	BOLT, RND HD SQ NECK, 5/8-11 X 3-1/2
	700703922	1	NUT, HEX FLANGE TOP LOCK, 5/8-11
9	151257M1	1	SPACER, .688 X 1.188 LG
10	2620853W91	1	ARM ASSEMBLY (INCL. ITEMS 11 & 12)
11	1689170W1	2	BUSHING, 1 X 1.24 X .75 LG (WAS QTY.1)
12	1742670W1	1	BUSHING, 1 X 1.24 X 1.50 LG (PRIOR S/N HP36---, MID-PROD'N RUN)
13	70914465	1	LUBE FITTING, 1/8-27 NPTF
14	2441490W1	1	SLEEVE, .640 ID X .992 X 3.06 LG
15	70925706	1	CAPSCREW, 5/8-11 X 5-1/2 GR5
	700703922	1	NUT, HEX FLANGE TOP LOCK, 5/8-11
16	2553560W1	1	IDLER, FLAT, 8-3/4 OD
17	70921671	1	CAPSCREW, 5/8-11 X 3-1/4 GR5
	700703922	1	NUT, HEX FLANGE TOP LOCK, 5/8-11
18	71403685	1	BELT, GRAIN ELEVATOR DRIVE

MC00380
PR: t05b08m42d0018

9790 COMBINE
GRAIN BIN & ELEVATOR

GRAIN ELEVATOR
LOWER



**9790 COMBINE
GRAIN BIN & ELEVATOR**

451

**GRAIN ELEVATOR
LOWER**

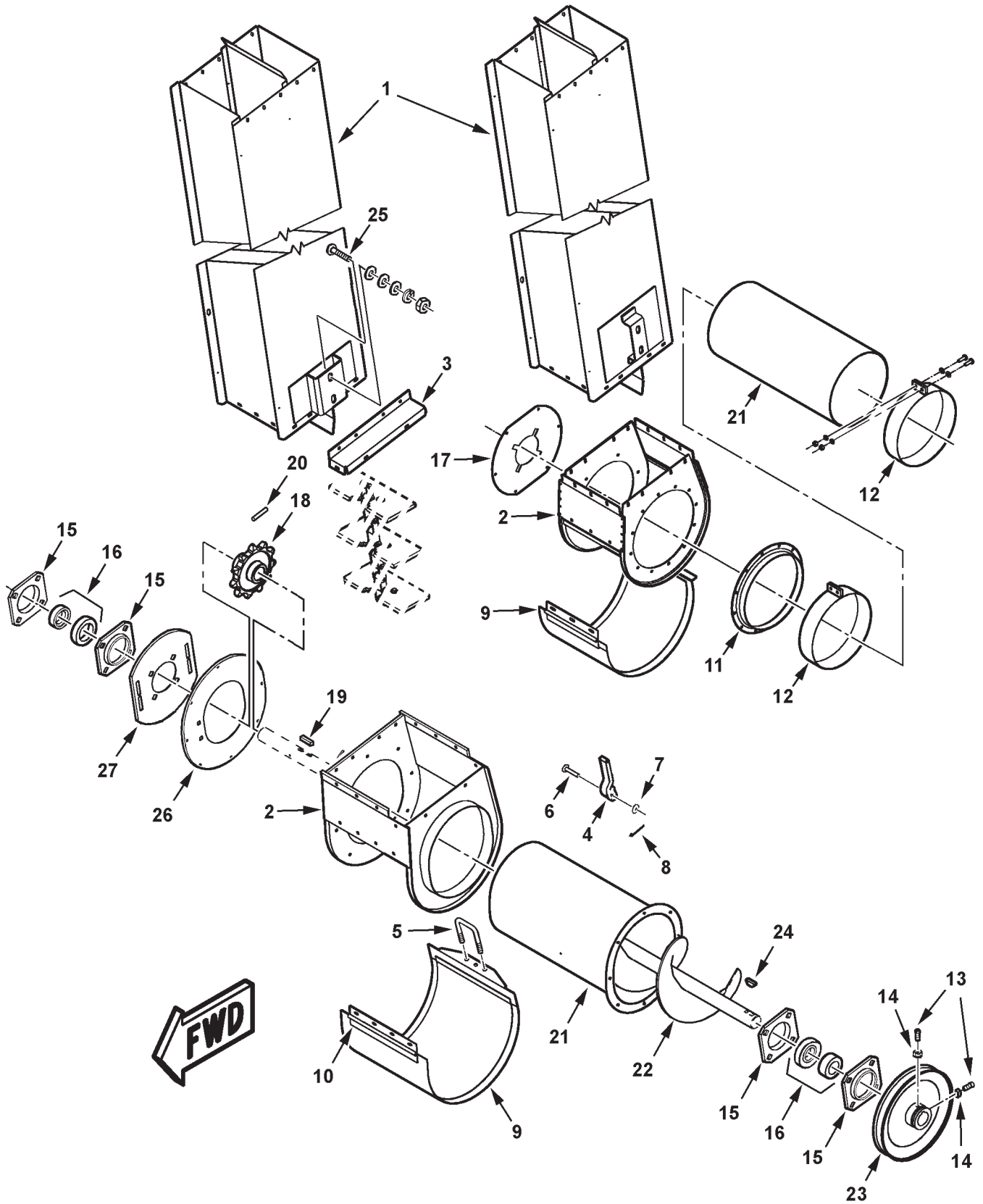
ITEM	NUMBER	QTY	DESCRIPTION
1	71393547	1	BODY & DECALS ASY (PRIOR S/N HP36101) (DECALS- SEE "LABELS" SECTION)
	71400435	1	BODY WLMT, GR ELEV. (EFF. S/N HP36101)
	71409271	1	BODY WLMT,GR ELEV.RICE (EFF.S/N HP36101)
	71396458	1	BODY & DECALS ASY (EUROPE)
	70931316	10	BOLT, RD HD SQ NECK 1/4-20 X 5/8
	705012	10	LOCKWASHER, 1/4 (PRIOR S/N HP36101)
	70917377	10	WASHER, 1/4, WIDE(PRIOR S/N HP36101)
	70916622	10	NUT, 1/4-20, REG (PRIOR S/N HP36101)
	70931209	10	LOCKNUT, HEX SERR FLANGE, 1/4-20 (EFF. S/N HP36101)
2	71393429	1	BOOT ASY. GR ELEV. (PRIOR S/N HP36101)
	71399994	1	BOOT WLMT, GR ELEV. (EFF. S/N HP36101)
	71409268	1	BOOT WLMT,GR ELEV. RICE(EFF.S/N HP36101)
	70931316	14	BOLT, RD HD SQ NECK, 1/4-20 X 5/8
	705012	14	LOCKWASHER, 1/4
	70917377	14	WASHER, 1/4 WIDE (PRIOR S/N HP36101)
	70916622	14	NUT, 1/4-20, REG
3	71399807	1	FILLER WLMT, GR ELEV. (EFF. S/N HP36101)
	71409269	1	FILLER WLMT, GR ELEV. RICE (S/N HP36101)
	70931316	4	BOLT, RD HD SHT SQ NK, 1/4-20 X 5/8
	70931317	4	BOLT, RD HD SHT SQ NK, 1/4-20 X 3/4
	705012	8	LOCKWASHER, 1/4
	70916622	8	NUT, 1/4-20, REG
4	1799410W1	1	LATCH, DOOR
5	71197376	1	U-BOLT, LATCH (PRIOR S/N HP36101)
	70916622	4	NUT, 1/4-20, REG (PRIOR S/N HP36101)
	2476240W1	1	LATCH BOLT, DOOR (EFF. S/N HP36101)
	70916950	4	NUT, 3/8-16 (EFF. S/N HP36101)
6	70927523	1	PIN, CLEVIS, 5/16 X 1-1/2
7	70918265	1	WASHER, WIDE FLAT, 5/16
8	70918447	1	PIN, COTTER, 3/32 X 3/4
9	71393526	1	DOOR WLMT, LOWER (PRIOR S/N HP36101)
	71396467	-	DOOR WLMT, PERFORATED (ACCESSORY)(PRIOR S/N HP36101)
	71400431	1	DOOR WLMT, LOWER (EFF. S/N HP36101)
	71410456	1	* DOOR WLMT,PERFORATED(EFF. S/N HP36101)
	71409265	1	DOOR WLMT, LOWER, RICE (EFF.S/N HP36101)
	70931317	4	BOLT, RD HD,SHT SQ NK, 1/4-20 X 3/4
	353769X1	4	WASHER, HARDENED, 1/4
	705012	4	LOCKWASHER, 1/4
	70916622	4	NUT, 1/4-20, REG
10	2412670W1	1	HINGE, DOOR (PRIOR S/N HP36101)
	71400432	1	HINGE, DOOR (EFF. S/N HP36101)
11	2554680W1	1	FLANGE, ELEVATOR (PRIOR S/N HP36101)
	70931316	12	BOLT, RD HD SQ NECK, 1/4-20 X 5/8
	70916964	12	LOCKWASHER, 1/4
	70916622	12	NUT, 1/4-20, REG
12	2555401W91	2	CLAMP ASY, TUBE (PRIOR S/N HP36101)
	700705614	4	CAPSCREW, 5/16-18 X 1-1/2 FULL THD
	70917642	4	WASHER, 5/16, WIDE
	70917356	4	LOCKWASHER, 5/16
	70917372	4	NUT, 5/16-18, REG

CONTINUED

MC00267
PR: 258

9790 COMBINE
GRAIN BIN & ELEVATOR

GRAIN ELEVATOR
LOWER



**9790 COMBINE
GRAIN BIN & ELEVATOR**

453

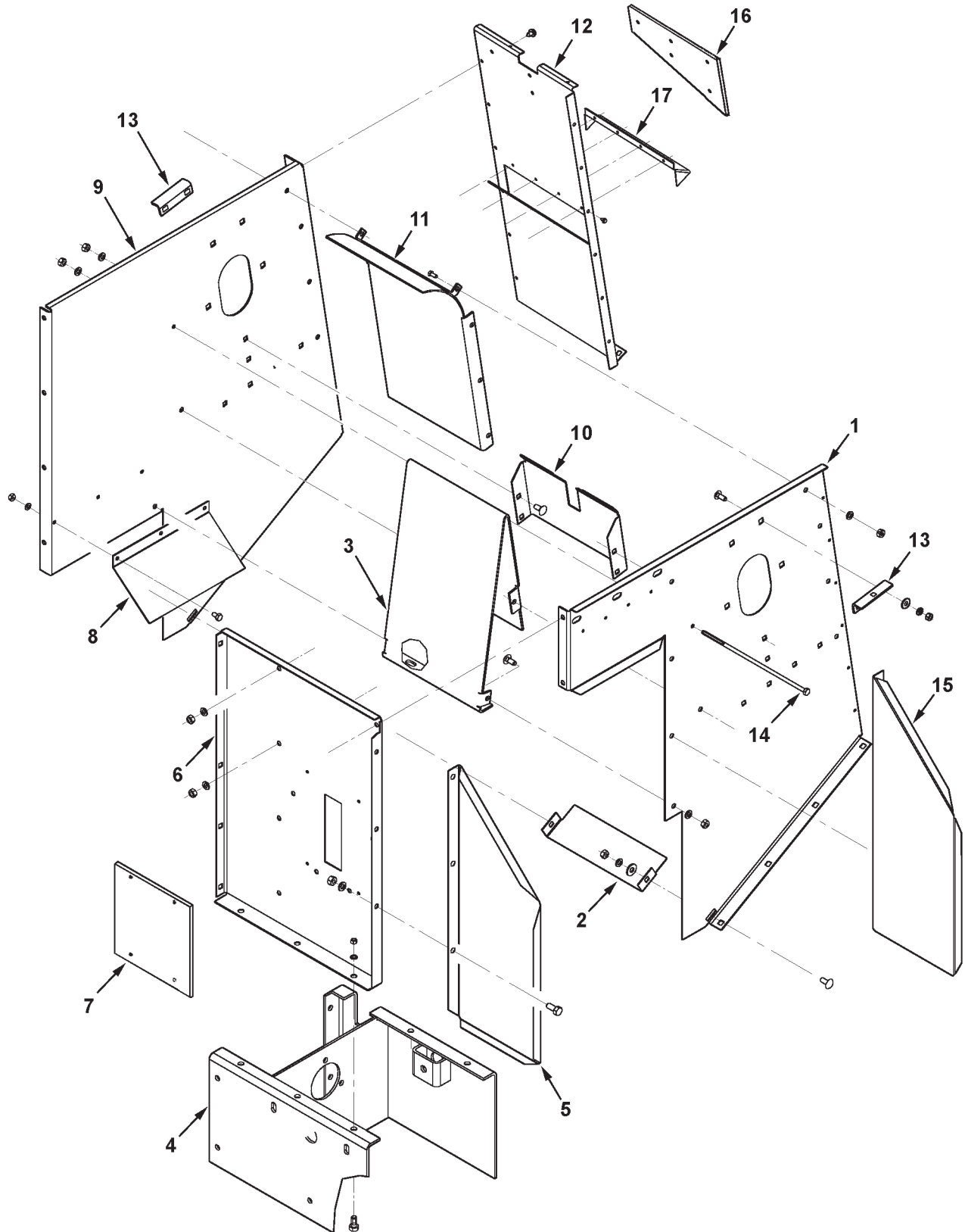
**GRAIN ELEVATOR
LOWER**

ITEM	NUMBER	QTY	DESCRIPTION
13	70923326	1	SETSCREW,SQ HD, 3/8-16 X 1 (QTY 2, PRIOR S/N HP36101)
	70920469	1	SETSCREW, SQ HD CUP PT, 3/8-16 X 3/4 (EFF. S/N HP36101)
14	70916950	2	NUT, 3/8-16, REG (PRIOR S/N HP36101)
15	17789	4	FLANGE, BEARING
	70931809	8	BOLT, RND HD SQ NK, 1/2-13 X 1-1/4 (WAS QTY 7, PRIOR S/N HP36101)
	70931810	1	BOLT, RND HD SQ NK, 1/2-13 X 1-3/4 (PRIOR S/N HP36101)
	Y705046	8	LOCKWASHER, 1/2
	704031	8	NUT, 1/2-13, REG
16	50468	2	BEARING, BALL, W/COLLAR
	1720176	2	COLLAR
17	2571520W1	1	PLATE, BEARING MOUNT (PRIOR S/N HP36101)
	70931316	6	BOLT, RD HD SQ NECK, 1/4-20 X 5/8
	70916964	6	LOCKWASHER, 1/4
	70916622	6	NUT, 1/4-20, REG
18	2571510W1	1	SPROCKET, GRAIN ELEVATOR
19	61101	1	SQ. KEY, 1/4 X 1/4 X 1-3/4
20	70926977	1	PIN, COILED SPRING, 3/16 X 2-1/4
21	71393532	1	TUBE, BOTTOM,GR ELEV.(PRIOR S/N HP36101)
	71401204	1	TUBE WLMT,BTM,GR ELEV.(EFF. S/N HP36101)
	71409270	1	TUBE, BTM,GR ELEV. RICE(EFF.S/N HP36101)
	7700461	8	BOLT, RD HD SQ NK, 5/16-18 X 3/4
	70917356	8	LOCKWASHER, 5/16
	70917372	8	NUT, 5/16-18, REG
	70933988	8	SPEED NUT, THREAD GRIP, 5/16
22	71392700	1	AUGER ASY, (PRIOR S/N HP36101)
	71394534	1	AUGER ASY (CHROME)
23	108843W1	1	PULLEY, DRIVEN (PRIOR S/N HP36101)
	71403682	1	PULLEY, DRIVEN (EFF. S/N HP36101)
24	70911201	1	KEY, WOODRUFF, 3/8 X 1-1/4 DIA
25	701235	1	CPSCR, 1/2-13 X 1-1/2 (WAS QTY.2 PRIOR S/N HP36101)
	70921176	1	CPSCR, 1/2-13 X 1-1/4 (EFF. S/N HP36101)
	70931187	1	NUT, HEX SERR FLANGE, 1/2-13
	70936525	1	SPEED NUT, THREAD GRIP, 1/2
	705541	2	WASHER, HARD, 1/2 (WAS QTY.4)
	Y705046	1	LOCKWASHER, 1/2 (WAS QTY.2)
	704031	1	NUT, 1/2-13, REG (WAS QTY.2)
26	71400429	1	PLATE, BOOT COVER (EFF. S/N HP36101)
	71409267	1	PLATE, BOOT COVER, RICE(EFF.S/N HP36101)
	70931317	8	BOLT, RD HD SQ NK, 1/4-20 X 3/4
	705012	8	LOCKWASHER, 1/4
	70916622	8	NUT, 1/4-20, REG
27	71400430	1	PLATE, BRG (EFF. S/N HP36101)
	71409266	1	PLATE, BRG, RICE (EFF. S/N HP36101)
	70922786	4	BOLT, RD HD SQ NK, 3/8-16 X 1 GR5
	Y705533	4	WASHER, HARD, 3/8
	70916965	4	LOCKWASHER, 3/8
	70916950	4	NUT, 3/8-16, REG
-	71393534	1	CHAIN ASY. (NOT ILL)(SEE CHAINS, DRIVE)
-	700704010	AR	SILICONE, RUBBER SEALANT
-	71407047	AR	* KIT,PERF. ELEV DOORS(EFF. S/N HP36101) (ORDER THRU DEALER CENTRAL)

MC00267
PR: 258

9790 COMBINE
GRAIN BIN & ELEVATOR

GRAIN ELEVATOR
HEAD ASSEMBLY



**9790 COMBINE
GRAIN BIN & ELEVATOR**

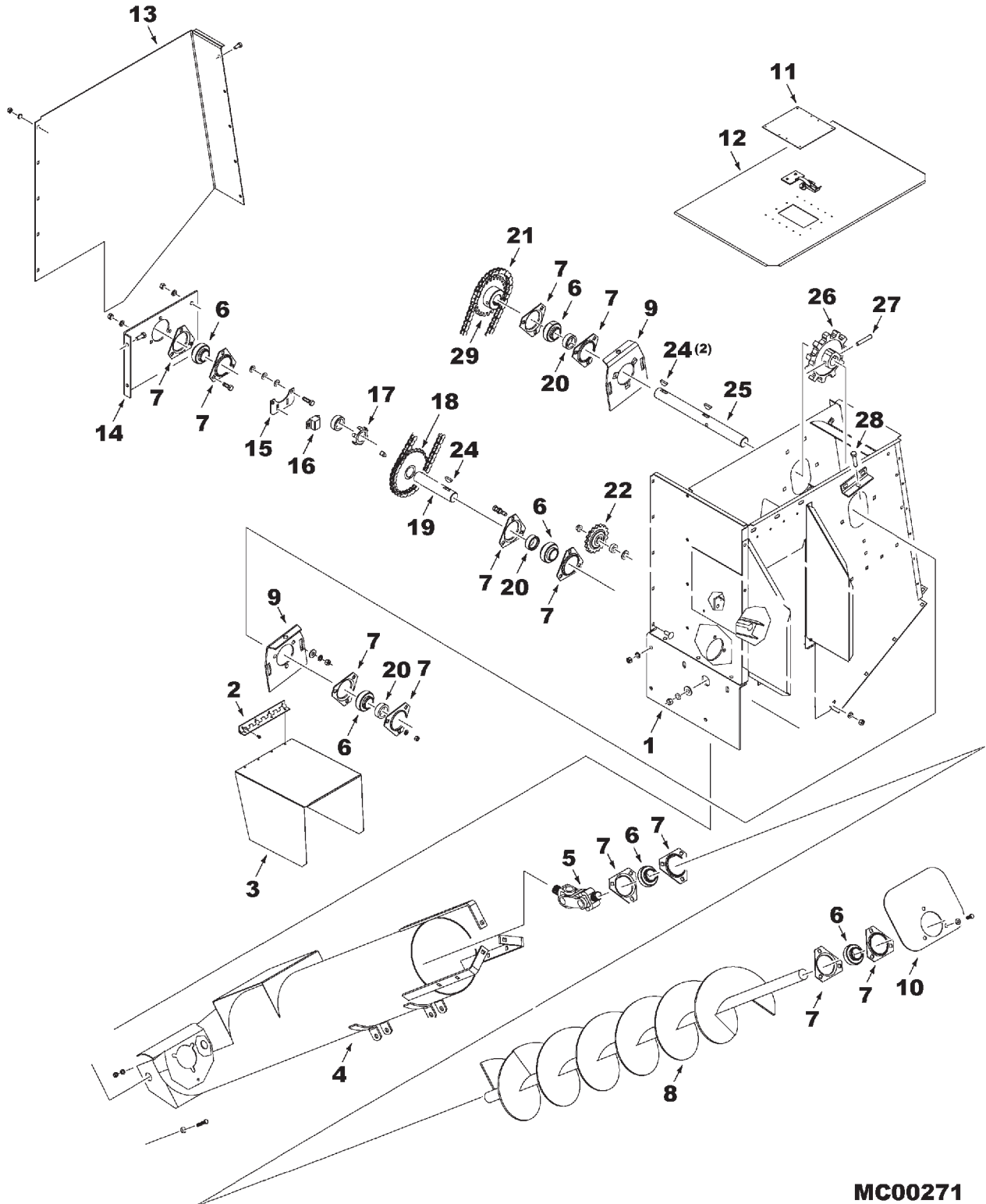
455

**GRAIN ELEVATOR
HEAD ASSEMBLY**

ITEM	NUMBER	QTY	DESCRIPTION
1	71393268	1	PANEL, GRAIN HEAD SIDE (LH)
	7700461	6	BOLT, RD HD SQ NECK 5/16-18 X 3/4
	70917642	2	WASHER, FLAT 5/16
	Y705020	6	LOCKWASHER, 5/16
	70917372	6	HEXNUT, 5/16-18
2	71393273	1	SEAL, ELEVATOR
3	71393274	1	DIVIDER, GRAIN HEAD
4	71393269	1	SUPPORT ASY., BIN LOADER DRIVE
	70921965	5	CAPSCREW, 5/16-18 X 3/4 GR5
	70916965	5	LOCKWASHER, 3/8
	70916950	5	HEXNUT, 3/8
5	71393264	1	EXTENSION, FRONT
	70921332	6	CAPSCREW, 5/16-18 X 3/4
	Y705020	6	LOCKWASHER, 5/16
	70917372	6	HEXNUT, 5/16-18
6	71393263	1	PANEL, GRAIN HEAD FRONT
	70921333	1	CAPSCREW, 5/16-18 X 1.0
	70921332	5	CAPSCREW, 5/16-18 X 3/4
	Y705020	6	LOCKWASHER, 5/16
	70917372	6	HEXNUT, 5/16-18
7	71389842	1	COVER PLATE, ELEV. HEAD, FRONT (NON-FIELDSTAR)
	70924837	4	RIVET
8	71368598	1	DEFLECTOR, BIN LOADER
	70921958	3	CAPSCREW, 1/4-20 X 1/2
	705012	3	LOCKWASHER, 1/4
	70916622	3	HEXNUT, 1/4-20
9	71393265	1	PANEL, GRAIN HEAD (RH)
10	71393405	1	EXTENSION, CENTERBOARD
	7700461	4	BOLT, RD HD SQ NECK 5/16-18 X 3/4
	Y705020	4	LOCKWASHER, 5/16
	70917372	4	HEXNUT, 5/16-18
11	71400915	1	BACK WLMT, ELEV. HEAD(PRIOR S/N HR36101)
	71408514	1	BACK WLMT, ELEV. HEAD (EFF. S/N HR36101)
	70921332	8	CAPSCREW, 5/16-18 X 3/4
	Y705020	8	LOCKWASHER, 5/16
	70917372	8	HEXNUT, 5/16-18
12	71393401	1	REAR PANEL, BIN LDR (PRIOR S/N HN36101)
	71401452	1	REAR PANEL, BIN LDR (EFF. S/N HN36101 - HN36999)
	71406849	1	REAR PANEL, BIN LDR (EFF. S/N HP36101)
	70925991	12	SCR,HX WSHR HD,TAPPING, 1/4-14 X 1/2
13	71327984	2	BRACKET, DRAW BOLT
	70922786	4	BOLT, RD HD SQ NECK 3/8-16 X 1.0
	70916965	4	LOCKWASHER, 3/8
	70916950	4	HEXNUT, 3/8
14	354273X1	1	SCREW, CAP, 1/4-20 X 10.0
	705012	1	LOCKWASHER, 1/4
	70916622	1	HEXNUT, 1/4
15	71393402	1	EXTENSION, REAR
16	71401381	1	PLATE, FILLER (NON-FIELDSTAR)(EFF. S/N HN36101)
	7703457	5	CAPSCREW, 1/4-20 X 3/4
	70937101	5	NUT, PUSH-ON, 1/4
	700709601	5	WASHER, 1/4 WIDE
	705012	5	LOCKWASHER, 1/4
	704007	5	NUT, 1/4-20
17	71408501	1	HOOD, RECIRCULATION (EFF. S/N HP36101)
	700717635	4	POP-RIVET, 3/16 X .126-.250 GRIP

MC00270
PR: 262

GRAIN ELEVATOR
BIN FILL AUGER



**9790 COMBINE
GRAIN BIN & ELEVATOR**

457

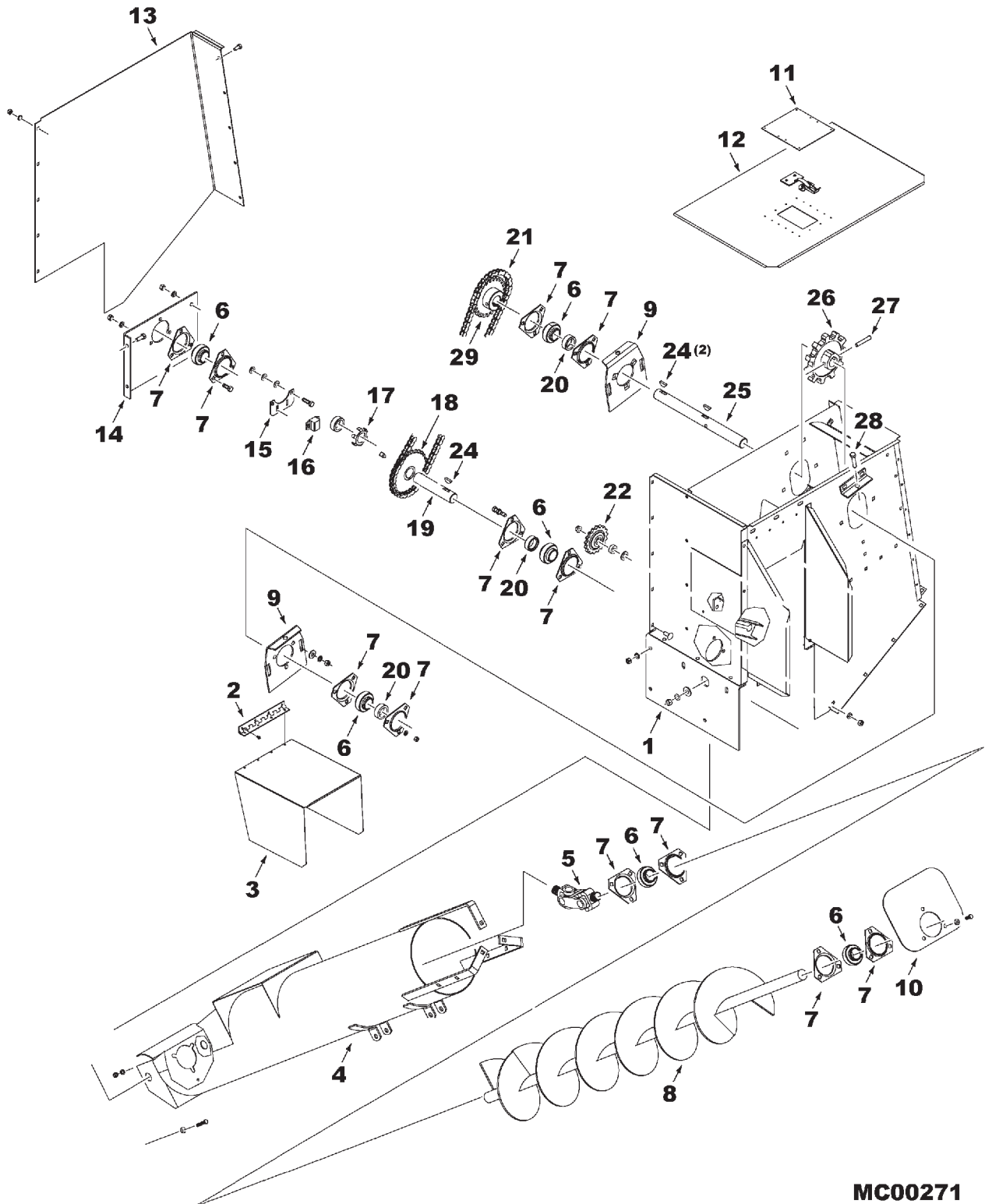
**GRAIN ELEVATOR
BIN FILL AUGER**

ITEM	NUMBER	QTY	DESCRIPTION
1	-----	1	HEAD ASY, CLEAN GRAIN ELEVATOR (REFERENCE ONLY, SEE BREAKDOWN)
2	71373693	1	HINGE, ELEVATOR BOOT
	70924837	4	RIVET, 3/16 X .277
	700717635	4	RIVET, 3/16 X .402
3	71376042	1	COVER, HINGED
4	71362970	1	TUBE WLDMT, BIN LOADER
	70921176	2	CAPSCREW, 1/2-13 X 1-1/4
	70918431	4	WASHER, 1/2 WIDE
	71188949	2	SPACER
	Y705046	2	LOCKWASHER, 1/2
	704031	2	NUT, 1/2-13 REG
5	71395998	1	U-JOINT ASY., DOUBLE PIVOT
	71124448	2	YOKE
	71396653	2	JOURNAL ASY, U-JOINT
6	71308995	6	BEARING, W/ COLLAR
7	71127313	12	FLANGE
	Y707042	6	BOLT, PLOW 3/8-16 X 1.0
	70922786	7	BOLT, RHSN 3/8-16 X 1.0
	70916965	7	LOCKWASHER, 3/8
	70916950	7	NUT, 3/8-16 REG
8	71388940	1	AUGER, BIN LOADER (CHROME)
9	71393419	2	SUPPORT, BEARING
	70922786	4	BOLT, RHSN 3/8-16 X 1.0
	70917378	4	WASHER, FLAT 3/8
	70916965	4	LOCKWASHER, 3/8
	70916950	4	NUT, 3/8-16 REG
10	71393403B	1	PLATE, DEFLECTOR
	70923220	3	BOLT, RHSN 3/8-16 X 1-1/4
	70916965	3	LOCKWASHER, 3/8
	70917378	3	WASHER, FLAT 3/8
	70916950	3	NUT, 3/8-16 REG
11	71393404	1	PLATE, COVER (NON-FIELDSTAR)(PRIOR S/N HN36101)
	70924799	8	RIVET, 1/8 X .250
12	71395976	1	TOP COVER ASY,BIN LDR(PRIOR S/N HN36101)
	71401453	1	TOP COVER ASY, BIN LDR (EFF. S/N HN36101 TO HP36999)
	71409402	1	TOP COVER ASY, BIN LDR(EFF. S/N HR36101)
	-----	1	TOP COVER, BIN LDR (ORDER COVER ASY)
	762975	1	CLAMP, OVER-CENTER LATCH
	71344833	1	SEAL, RUBBER
	700717635	4	POP-RIVET, 3/16 X .126-.250 GRIP
	70917380	2	WASHER, .219 ID X .50 OD X 18 GA
13	71393258	1	SHIELD, DRIVE CHAIN, BIN LOADER
	7883317	5	SCREW, HEX WSHR HD, 5/16-18 X 1/2
	7700461	5	BOLT, RND HD SQ NK, 5/16-18 X 3/4
	70917642	5	WASHER, FLAT 5/16
	Y705020	5	LOCKWASHER, 5/16
	70917372	5	NUT, 5/16-18 REG
	70933988	5	NUT, SPEED 5/16
14	71393259	1	SUPPORT, LOADER END
	703249	4	CAPSCREW, 3/8-16 X 1.0
	70916965	4	LOCKWASHER, 3/8
	70916950	4	NUT, 3/8-16 REG

CONTINUED

MCO0271
PR: 264

GRAIN ELEVATOR
BIN FILL AUGER



**9790 COMBINE
GRAIN BIN & ELEVATOR**

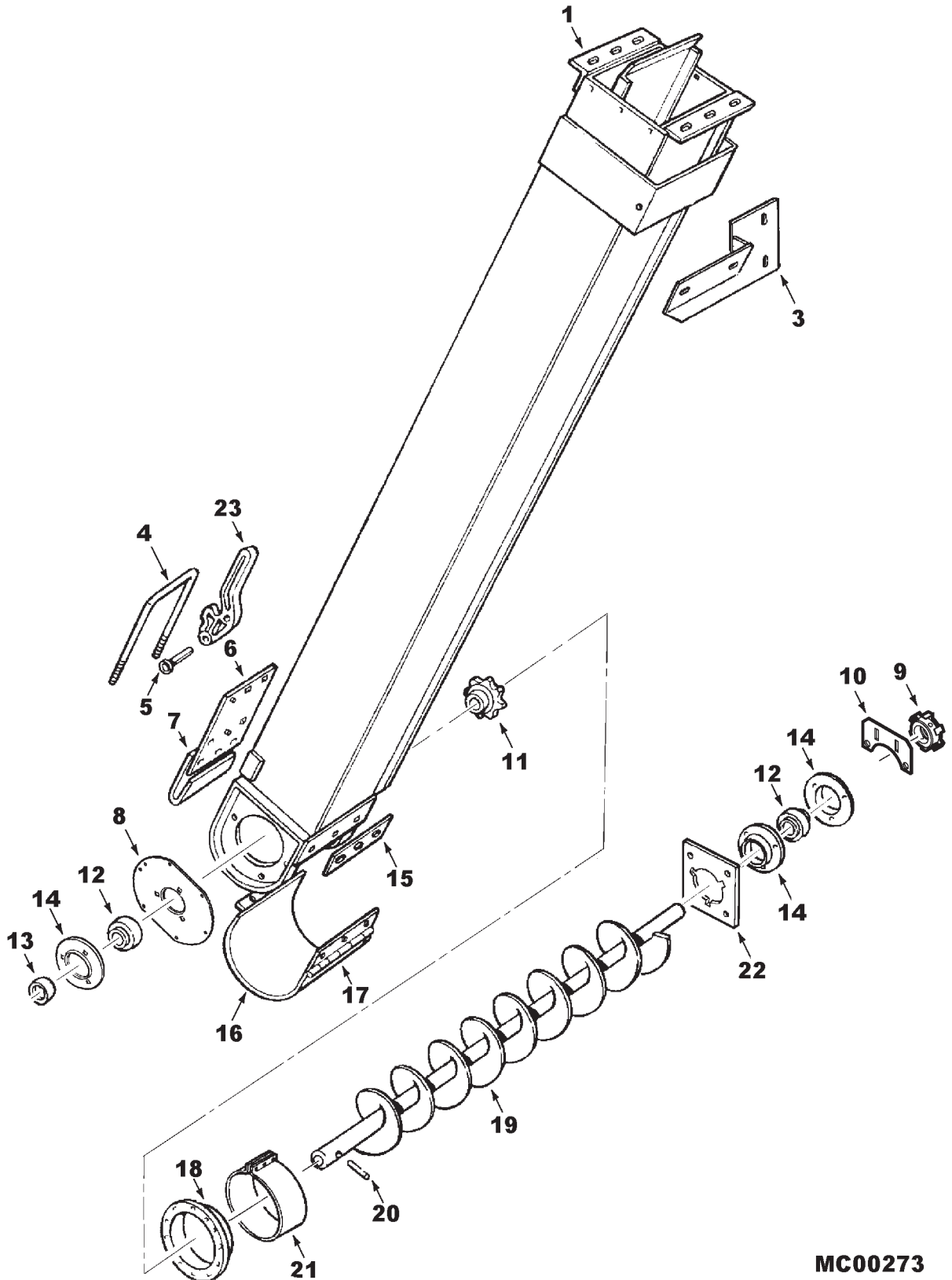
459

**GRAIN ELEVATOR
BIN FILL AUGER**

ITEM	NUMBER	QTY	DESCRIPTION
15	71188145	1	BRACKET, SHAFT
	70923220	2	BOLT, RHSN 3/8-16 X 1-1/4
	Y705533	6	WASHER, FLAT 3/8
	70916965	2	LOCKWASHER, 3/8
	70916950	2	NUT, 3/8-16 REG
16	71391021	1	SENSOR
	70931317	2	BOLT, RD HD,SHT SQ NK, 1/4-20 X 3/4
	705012	2	LOCKWASHER, 1/4
	70916622	2	NUT, 1/4-20 REG
17	71194367	1	COLLAR WLDMT, SENSING
18	71393260	1	SPROCKET WLDMT, 28 TEETH (QTY 2, PRIOR S/N HN36101)
	70920469	2	SETSCREW, SQ HD CUP PT, 3/8-16 X 3/4
19	71393262	1	SHAFT, DRIVE
20	700717212	3	COLLAR, 1-1/4 ID
21	-----	1	CHAIN,BIN LOADER,#50 (SEE"CHAINS,DRIVE")
22	7087398	1	SPROCKET, IDLER
	70929095	1	BOLT, RDHD, SQNK 1/2-13 X 2-1/4
	70924113	1	WASHER, FLAT SQ HOLE
	6522940	1	SPACER
	Y704742	1	LOCKNUT, 1/2-13
24	29780X	3	KEY, WOODRUFF, 1/4 X 1.0
25	71393261	1	SHAFT, UPPER ELEVATOR
26	2412960W1	1	SPROCKET, DRIVE
27	70916767	1	ROLL PIN, 3/8 X 2 LG
28	70937727	2	CAPSCREW, 3/8-16 X 3-1/4
	70916950	2	NUT, 3/8-16 REG
29	71401462	1	SPROCKET, WLDMT, 38 TEETH
	70920469	2	SETSCREW, SQ HD CUP PT, 3/8-16 X 3/4

MC00271
PR: 264

RETURN ELEVATOR
LOWER
(PRIOR S/N HP36101)



**9790 COMBINE
GRAIN BIN & ELEVATOR**

461

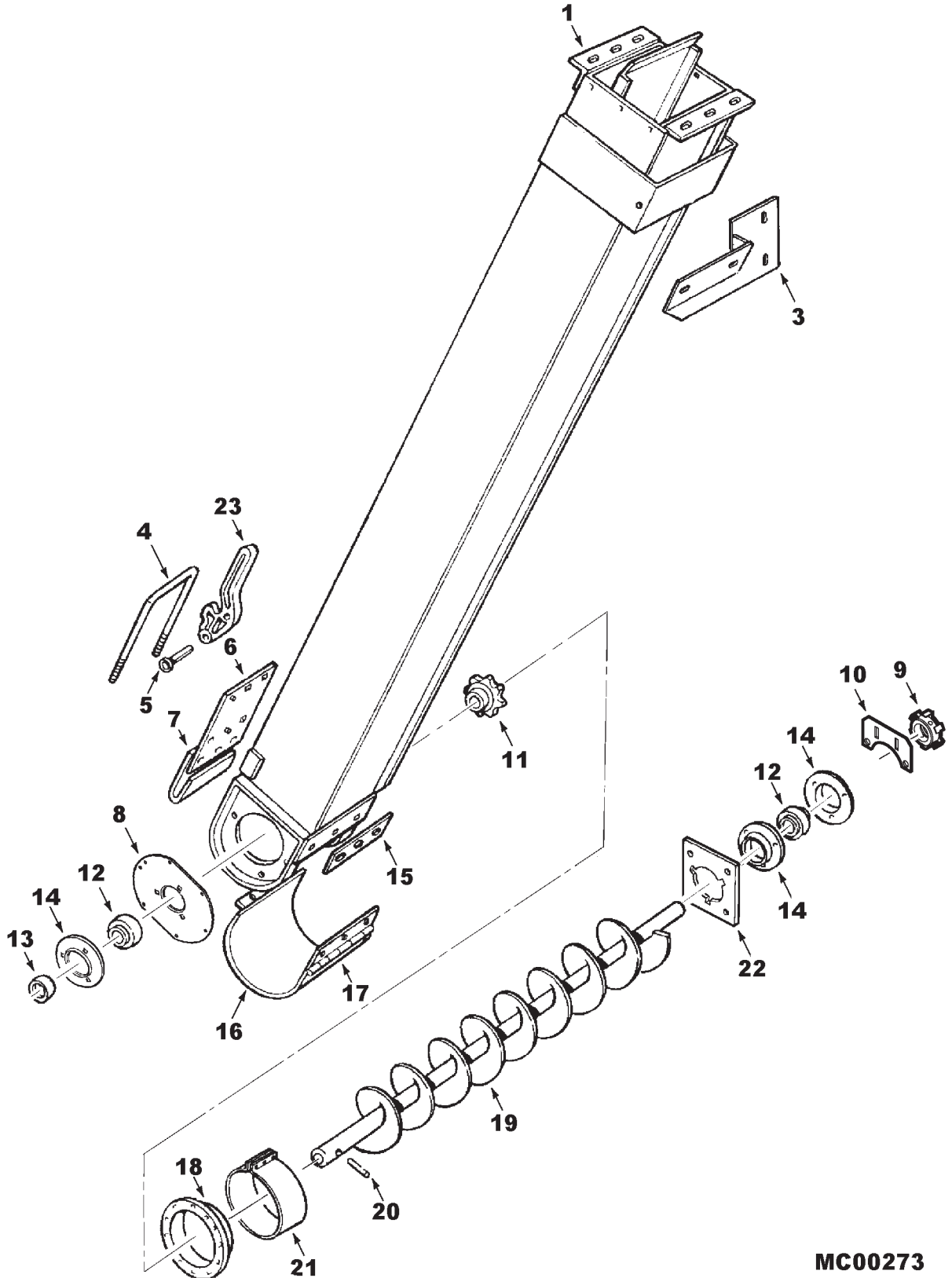
**RETURN ELEVATOR
LOWER
(PRIOR S/N HP36101)**

ITEM	NUMBER	QTY	DESCRIPTION
1	71396124	1	BODY ASSEMBLY, RETURN ELEVATOR
	70921210	2	CAPSCREW, 3/8-16 X 1 GR5
	70917378	2	WASHER, 3/8, WIDE
	Y704742	2	NUT, HEX FLANGE TOP LOCK, 3/8-16
3	2620021W91	1	SUPPOT ASSEMBLY, RETURN ELEVATOR
	70921210	2	CAPSCREW, 3/8-16 X 1 GR5
	70923114	2	CAPSCREW, 1/2-13 X 1 GR5
	70917378	2	WASHER, 3/8, WIDE
	Y704734	2	NUT, HEX FLANGE TOP LOCK, 3/8-16
	Y704742	2	NUT, HEX FLANGE TOP LOCK, 1/2-13
4	1651910W1	1	U BOLT, LATCH
	70916950	4	NUT, 3/8-16, REG
5	70927523	1	PIN, CLEVIS, 5/16 X 1-1/2
6	2555180W1	1	PLATE, WEAR
	70931316	8	BOLT, RD HD SQ NECK, 1/4-20 X 5/8
	70916964	8	LOCKWASHER, 1/4
	70916622	8	NUT, 1/4-20, REG
7	2555170W1	1	STRIP, SUPPORT
8	1510740W1	1	PLATE, BEARING
9	71390672	1	WHEEL, SENSOR (W/COLLAR)
10	71188145	1	BRACKET, SHAFT MONITOR
	70916950	2	HEXNUT, 3/8-16
11	W9863030	1	SPROCKET, AUGER, 8 TEETH
12	70590704	2	BEARING, BALL, W/O COLLAR
13	K3518	1	COLLAR, 1.125
14	71127313	3	FLANGE, BEARING
	70931350	3	BOLT, RD HD SQ NECK, 3/8-16 X 1
	70931348	3	BOLT, RD HD SQ NECK, 3/8-16 X 3/4
	70916965	3	LOCKWASHER, 3/8
	70916950	6	NUT, 3/8-16, REG
15	2555190W1	1	STRIP, FILLER
	70931317	3	BOLT, RD HD SQ NECK, 1/4-20 X 3/4
	70917377	3	WASHER, 1/4, WIDE
	70916964	3	LOCKWASHER, 1/4
	70916622	3	NUT, 1/4-20 REG
16	2555211B91	1	DOOR ASSEMBLY, AUGER (PLAIN)
	2555231W91	1	DOOR ASSEMBLY, AUGER (PERF.)(ACCESSORY)
17	2555200W1	1	HINGE, DOOR
18	2555130W1	1	FLANGE
	70931316	12	BOLT, RD HD SQ NECK, 1/4-20 X 5/8
	70916964	12	LOCKWASHER, 1/4
	70916622	12	NUT, 1/4-20, REG

CONTINUED

MC00273
PR: 268

RETURN ELEVATOR
LOWER
(PRIOR S/N HP36101)



**9790 COMBINE
GRAIN BIN & ELEVATOR**

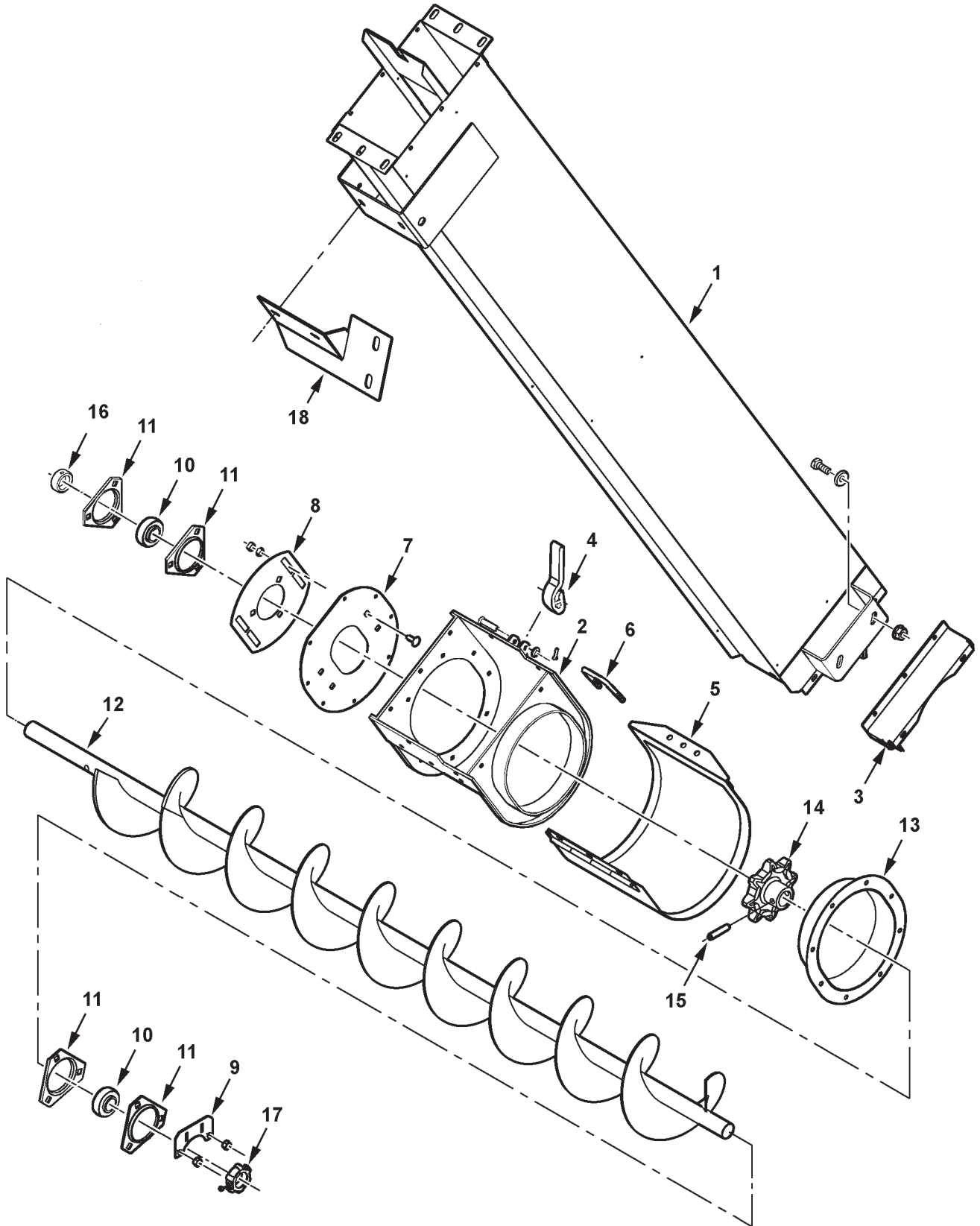
463

**RETURN ELEVATOR
LOWER
(PRIOR S/N HP36101)**

ITEM	NUMBER	QTY	DESCRIPTION
19	71387538	1	AUGER WLDMT, BOTTOM (STD)
	71394535	1	AUGER WLDMT, BOTTOM (CHROME)
20	70915500	1	PIN, ROLL, 3/8 X 1-3/4
21	2591531W91	1	CLAMP ASSEMBLY, RETURN ELEVATOR
	373159X1	3	SCREW, PAN HEAD, 5/16-18 X 1-1/2
	70917642	3	WASHER, 5/16, WIDE
	70917356	3	LOCKWASHER, 5/16
	70917372	3	NUT, 5/16-18, REG
22	2636010W1	1	PLATE, RETURN ELEVATOR
	70921965	4	CAPSCREW, 3/8-16 X 3/4 GR5
	Y704734	4	NUT, HEX FLANGE TOP LOCK, 3/8-16
23	1799410W1	1	LATCH, DOOR
	Y705608	1	WASHER, 5/16, NARROW
	70918447	1	PIN, COTTER, 3/32 X 3/4
24	2615233W92	1	CHAIN ASY.(NOT ILL.)(SEE "CHAINS,DRIVE")

MC00273
PR: 268

RETURN ELEVATOR
LOWER
(EFF. S/N HP36101)



**9790 COMBINE
GRAIN BIN & ELEVATOR**

465

**RETURN ELEVATOR
LOWER
(EFF. S/N HP36101)**

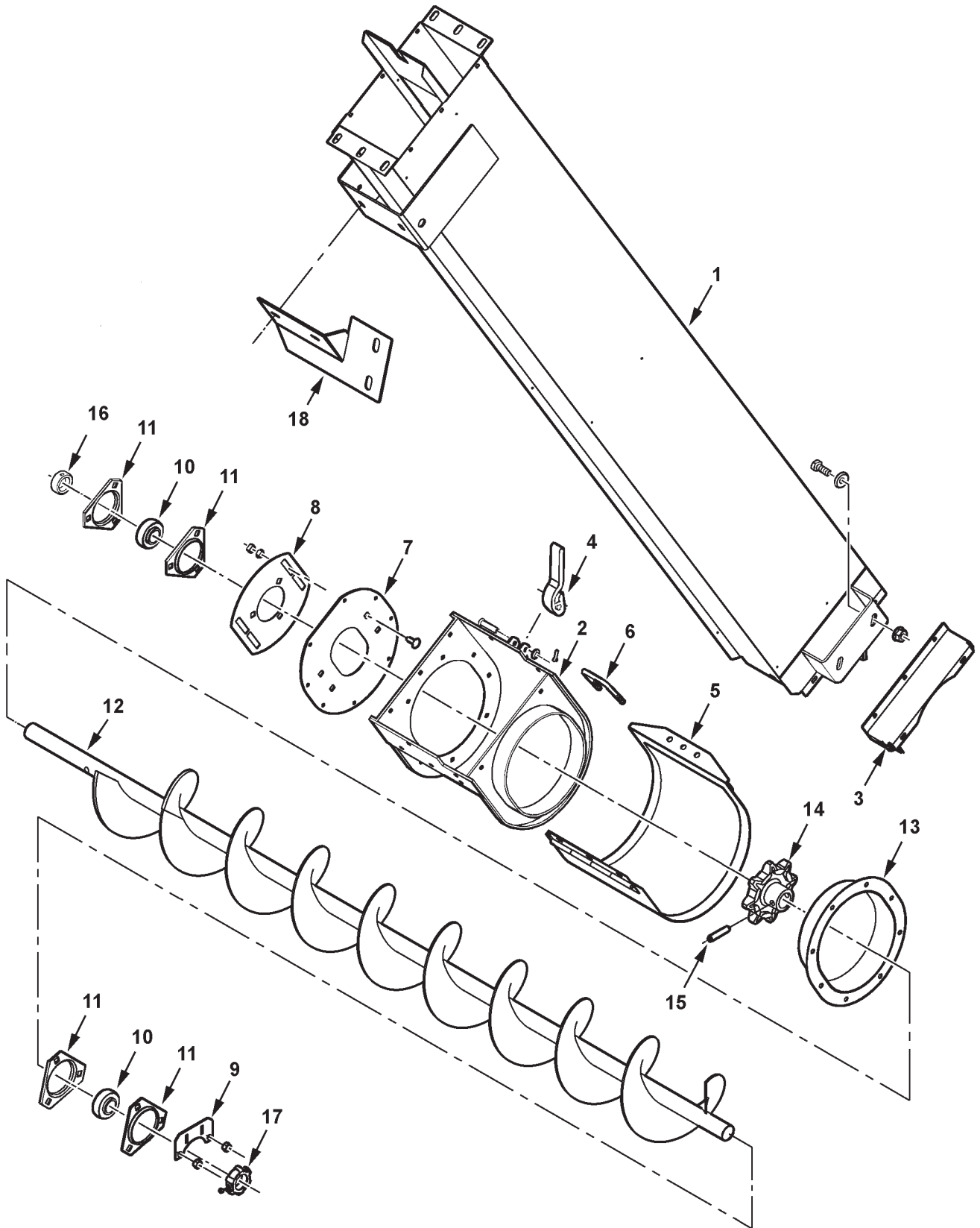
ITEM	NUMBER	QTY	DESCRIPTION
1	71401212	1	BODY WLMT, RETURN ELEV.
	71409374	1	BODY WLMT, RETURN, RICE(EFF.S/N HP36101)
	70921966	2	CAPSCREW, 3/8-16 X 7/8 GR5
	Y705533	2	WASHER, 3/8, HARDENED
	70928352	2	LOCKNUT, LARGE SERR FLANGE, 3/8-16
2	71399985	1	BOOT WLMT, LOWER RETURNS
	71409380	1	BOOT WLMT, LOWER RET, RICE (S/N HP36101)
	70931316	5	BOLT, RD HD SQ NECK, 1/4-20 X 5/8
	70916964	5	LOCKWASHER, 1/4
	70916622	5	NUT, 1/4-20, REG
3	71399802	1	FILLER WLMT, BOOT, RETURN ELEV.
	71409384	1	FILLER WLMT, BOOT, RICE(EFF.S/N HP36101)
	70931316	3	BOLT, RD HD SQ NECK, 1/4-20 X 5/8
	70931317	4	BOLT, RD HD SQ NECK, 1/4-20 X 3/4
	70916964	7	LOCKWASHER, 1/4
	70916622	7	NUT, 1/4-20, REG
4	1799410W1	1	LATCH, DOOR
	70927523	1	PIN, CLEVIS, 5/16 X 1-1/2
	Y705608	1	WASHER, 5/16, NARROW
	70918447	1	PIN, COTTER, 3/32 X 3/4
5	71401224	1	DOOR WLMT, BOTTOM, W/HINGE
	71410458	1	* DOOR WLMT,PERFORATED(EFF. S/N HP36101)
	71409382	1	DOOR WLMT, BTM, RICE (EFF. S/N HP36101)
	2412670W1	1	HINGE, ELEV. DOOR
	70931317	3	BOLT, RD HD SQ NECK, 1/4-20 X 3/4
	353769X1	3	WASHER, 1/4, HARDENED
	70916964	3	LOCKWASHER, 1/4
	70916622	3	NUT, 1/4-20, REG
6	2476240W1	1	LATCH BOLT, DOOR
	70916950	4	NUT, 3/8-16, REG
7	71401220	1	PLATE, COVER, RETURN BOOT
	71409379	1	PLATE, COVER, BOOT,RICE(EFF.S/N HP36101)
	70931317	8	BOLT, RD HD SQ NECK, 1/4-20 X 3/4
	70916964	8	LOCKWASHER, 1/4
	70916622	8	NUT, 1/4-20, REG
8	71401221	1	PLATE, BRG, RETURN BOOT
	71409370	1	PLATE, BRG, BOOT, RICE (EFF.S/N HP36101)
	70931350	4	BOLT, RD HD SQ NECK, 3/8-16 X 1
	Y705533	4	WASHER, 3/8, HARDENED
	70916965	4	LOCKWASHER, 3/8
	70916950	4	NUT, 3/8-16, REG
9	71188145	1	BRACKET, SHAFT MONITOR
	70916950	2	NUT, 3/8-16, REG
10	70590704	2	BEARING, BALL, 1.125, W/O COLLAR

CONTINUED

MC00381
PR: t05b08m42d0019

9790 COMBINE
GRAIN BIN & ELEVATOR

RETURN ELEVATOR
LOWER
(EFF. S/N HP36101)



**9790 COMBINE
GRAIN BIN & ELEVATOR**

467

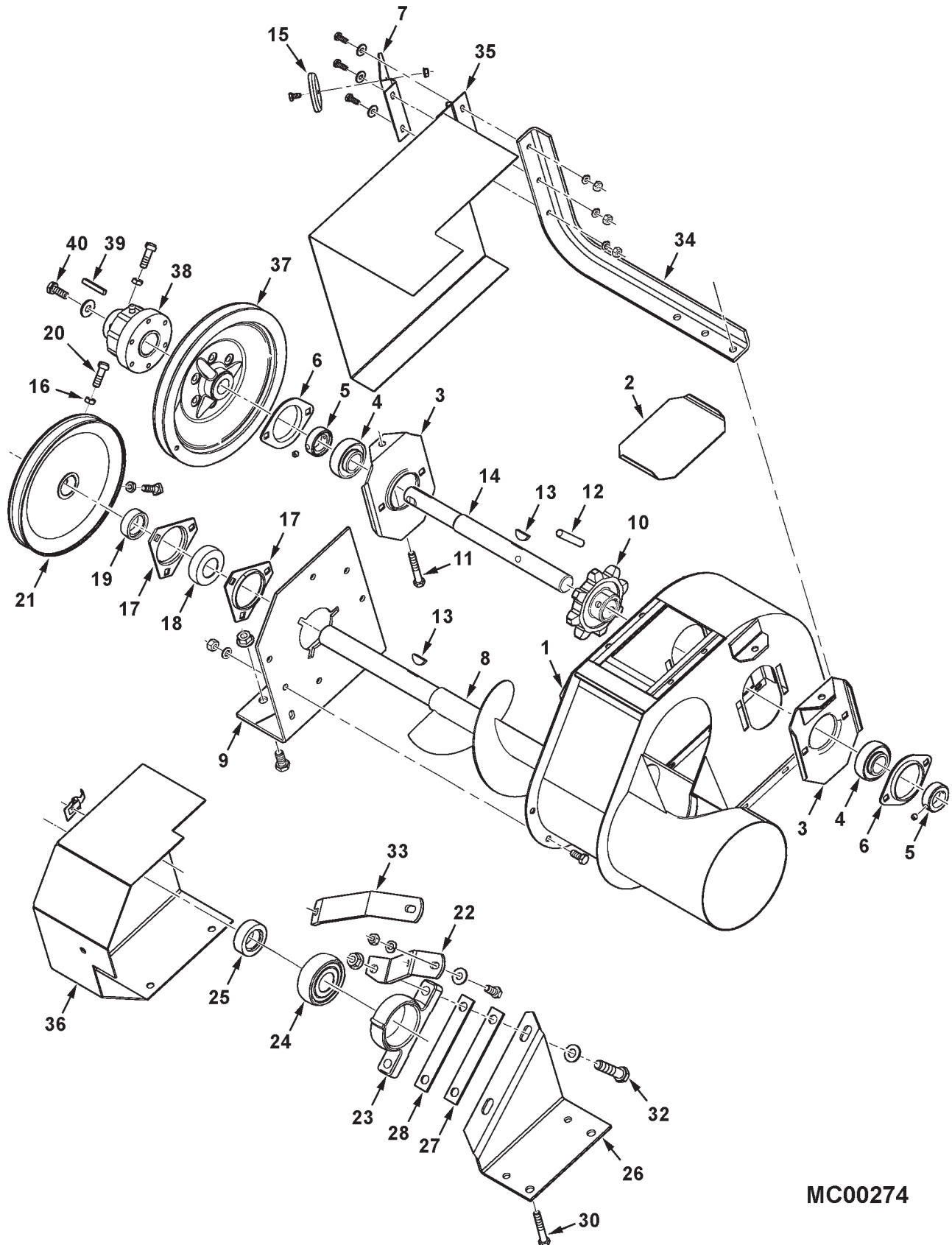
**RETURN ELEVATOR
LOWER
(EFF. S/N HP36101)**

ITEM	NUMBER	QTY	DESCRIPTION
11	71127313	4	FLANGETTE, BEARING
	Y707042	3	PLOW BOLT, 3/8-16 X 1 GR5 (RH SIDE)
	70916965	3	LOCKWASHER, 3/8
	70916950	3	NUT, 3/8-16, REG
12	71394535	1	AUGER WLDMT, CHROME, BOTTOM RETURN
13	71401208	1	EXTENSION WLMT, RH AUGER TROUGH
	71409371	1	EXT'N WLMT, RH TROUGH, RICE(S/N HP36101)
	7700461	8	BOLT, RD HD SQ NECK, 5/16-18 X 3/4
	70917356	8	LOCKWASHER, 5/16
	70917372	8	NUT, 5/16-18, REG
14	W9863030	1	SPROCKET, BOTTOM AUGER
15	70915500	1	ROLL PIN, 3/8 X 1-3/4
16	K3518	1	COLLAR, 1.125
17	71390672	1	COLLAR WLDMT, SENSING
18	2620021W91	1	SUPPORT ASSEMBLY, RETURN ELEVATOR
	70921210	2	CAPSCREW, 3/8-16 X 1 GR5
	70923114	2	CAPSCREW, 1/2-13 X 1 GR5
	Y705533	2	WASHER, HARD, .406 X .81 X .065 TH
	705541	2	WASHER, HARD, .53 X 1.06 X .13 TH
	Y704734	2	NUT, HEX FLANGE TOP LOCK, 3/8-16
	Y704742	2	NUT, HEX FLANGE TOP LOCK, 1/2-13
19	71406795	1	CHAIN ASY.(NOT ILL.)(SEE "CHAINS,DRIVE")
-	700704010	AR	SILICONE SEALANT, BLACK, 10.2 OZ
-	71407047	AR	* KIT,PERF. ELEV DOORS(EFF. S/N HP36101) (ORDER THRU DEALER CENTRAL)

MC00381
PR: t05b08m42d0019

9790 COMBINE
GRAIN BIN & ELEVATOR

RETURN ELEVATOR
UPPER



**9790 COMBINE
GRAIN BIN & ELEVATOR**

469

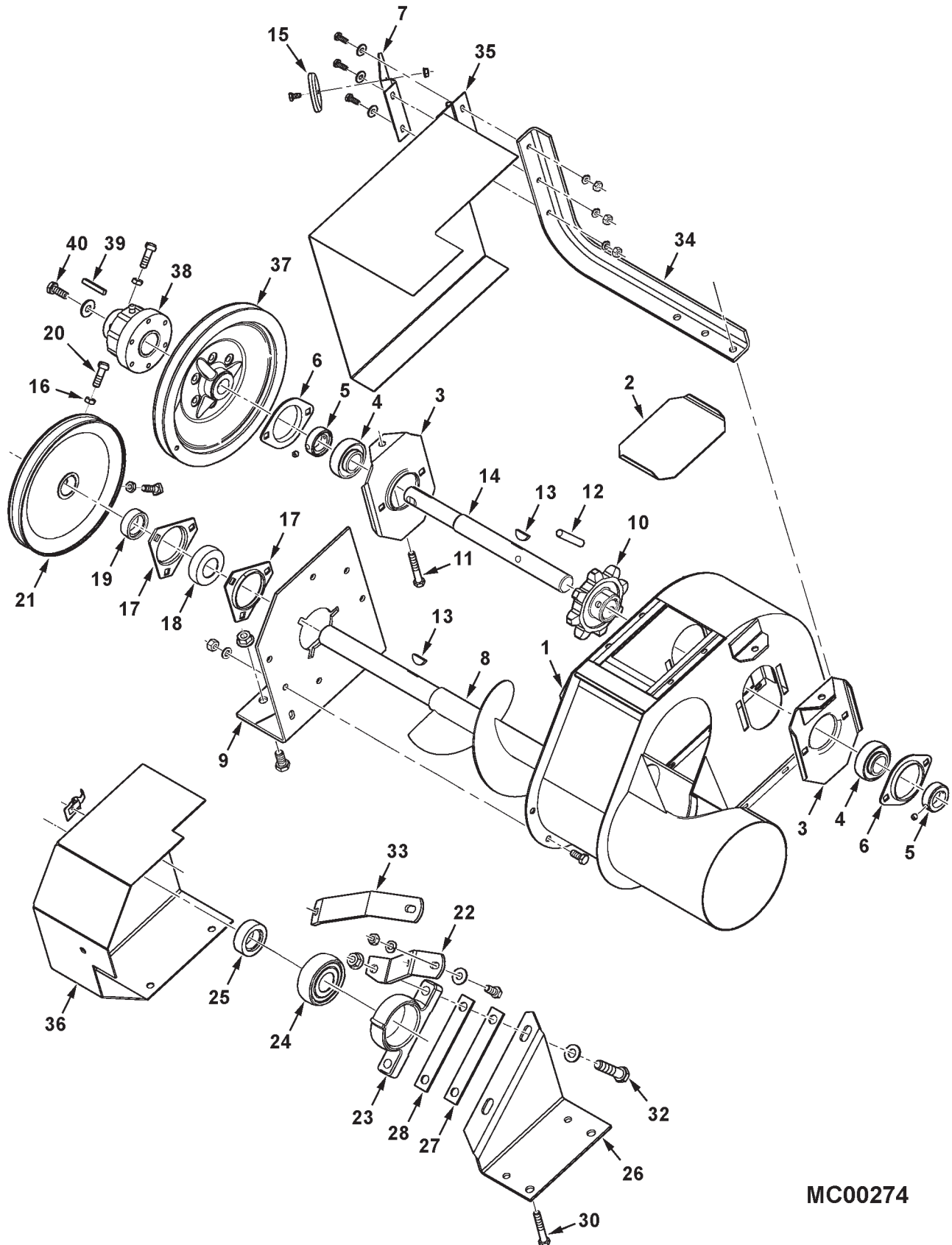
**RETURN ELEVATOR
UPPER**

ITEM	NUMBER	QTY	DESCRIPTION
1	71396110	1	HEAD ASY., RETURN
	70931317	6	BOLT, RD HD,SHT SQ NK, 1/4-20 X 3/4
	705012	6	LOCKWASHER, 1/4
	70917377	6	WASHER, 1/4, WIDE
	70916622	6	NUT, 1/4-20, REG
	70921210	6	CAPSCREW, 3/8-16 x 1 GR5
	Y705533	6	WASHER, 3/8, HARDENED
	Y704734	6	NUT, HEX FLANGE TOP LOCK, 3/8-16
2	2441970W1	1	DOOR, INSPECTION
3	1510831W91	2	PLATE ASSEMBLY, SUPPORT
4	70590704	2	BEARING, BALL, W/O COLLAR
5	K3518	2	COLLAR, BEARING
6	Y710293	2	FLANGE, BEARING
	70931350	4	BOLT, RD HD,SHT SQ NK, 3/8-16 X 1
	70916965	4	LOCKWASHER, 3/8
	70916950	4	NUT, 3/8-16, REG
7	71397152	1	BRACKET, MAGNET
8	71390517	1	TOP AUGER ASSEMBLY
9	2553251W91	1	SUPPORT ASSEMBLY, BEARING
	70921966	6	CAPSCREW, 3/8-16 x 7/8 GR5
	70916965	6	LOCKWASHER, 3/8
	70916950	6	NUT, 3/8-16, REG
10	9863040W1B	1	SPROCKET, CONVEYOR DRIVE, 8 TEETH
11	873141	2	CAPSCREW, FULL THRD, 3/8-16 X 2-1/2
	70916950	2	NUT, 3/8-16, REG
	Y704734	2	NUT, HEX FLANGE TOP LOCK, 3/8-16
12	70915500	1	PIN, ROLL, 3/8 X 1-3/4
13	29780X	2	KEY, WOODRUFF, 1/4 X 1
14	71390185	1	SHAFT, HEAD, 11 1/2
15	71397153	1	CUP ASY., MAGNETIC
	70921958	1	CAPSCREW, 1/4-20 X 1/2
	70934479	1	NUT, HEX TOP LOCK, 1/4-20
16	70917421	2	JAM NUT, HEX, 3/8-16
17	71127313	2	FLANGETTE, BEARING
	768432	3	BOLT, RD HD SQ NECK, 3/8-16 X 7/8
	70916965	3	LOCKWASHER, 3/8
	70916950	3	NUT, 3/8-16, REG
18	71308984	1	BEARING, BALL W/COLLAR
19	700717212	AR	COLLAR, BEARING
20	70923530	2	SETSCREW, SQ HEAD, 3/8-16 X 1-1/4
21	2553320W1	1	PULLEY, DRIVEN, 9.0 DIA
22	71384922	1	STRAP, BEARING
	70921966	1	CAPSCREW, 3/8-16 X 7/8 GR5
	70917378	1	WASHER, 3/8, WIDE
	70916965	1	LOCKWASHER, 3/8
	70916950	1	NUT, 3/8-16, REG
23	1605510W1	1	HOUSING, BEARING
24	10033	1	BEARING, BALL (W/O COLLAR)
25	7710551	1	COLLAR

CONTINUED

MC00274
PR: 272

RETURN ELEVATOR
UPPER



**9790 COMBINE
GRAIN BIN & ELEVATOR**

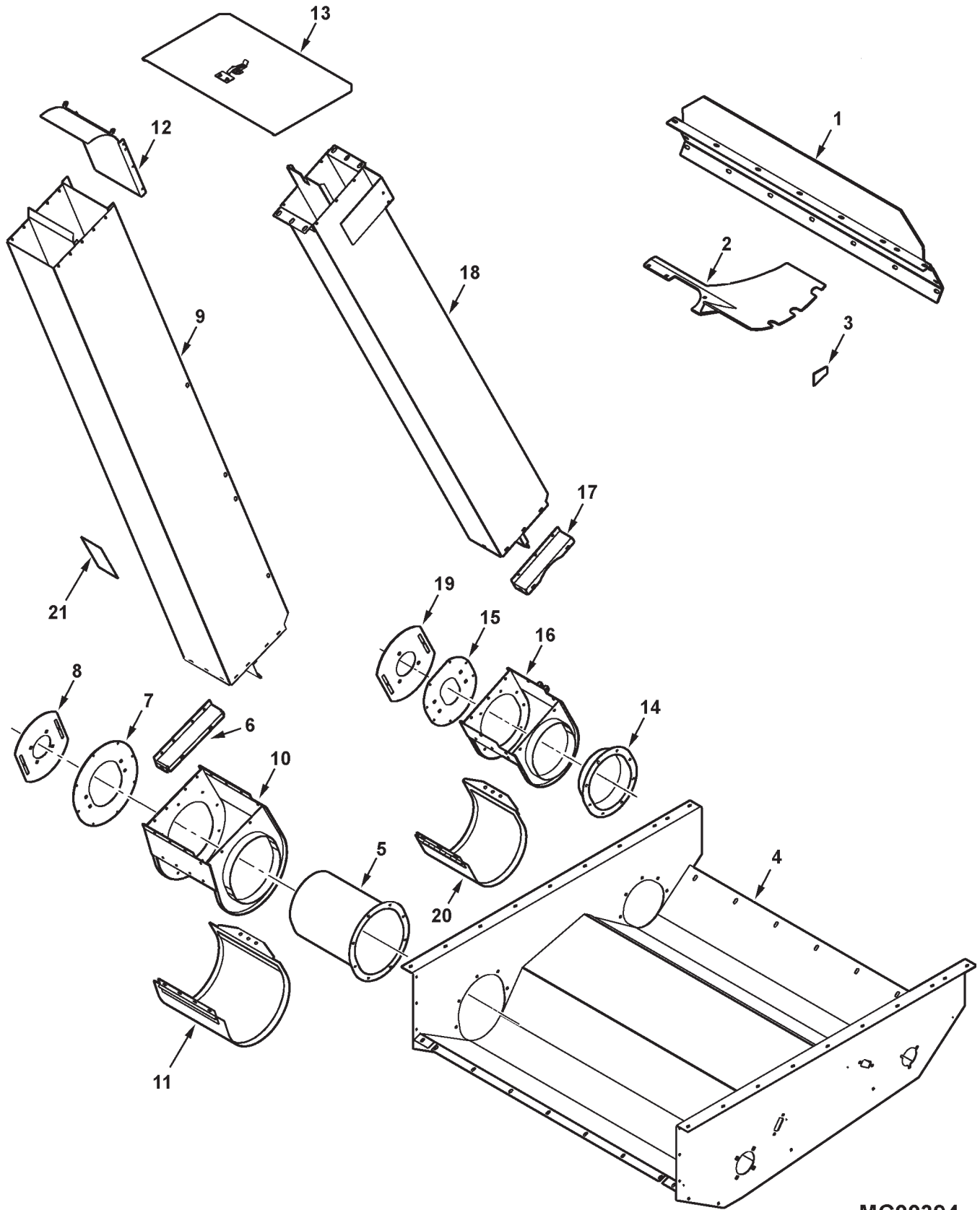
471

**RETURN ELEVATOR
UPPER**

ITEM	NUMBER	QTY	DESCRIPTION
26	2553271W92	1	PLATE ASSEMBLY
27	2553300W1	AR	SHIM, .060 TH
28	2553290W1	AR	SHIM, .125 TH
30	70923114	2	CAPSCREW, 1/2-13 X 1 GR5
	Y704742	2	NUT, HEX FLANGE TOP LOCK, 1/2-13
32	70922645	2	CAPSCREW, 1/2-13 X 2-1/4 GR5
	Y705624	2	WASHER, 1/2 NARROW
	Y704742	2	NUT, HEX FLANGE TOP LOCK, 1/2-13
33	71410879	1	BRACE STRAP, TOP (EFF. S/N HR36101)
	70920415	1	CAPSCREW, 3/8-16 X 1-1/4 GR5
	Y705533	1	WASHER, 3/8, HARDENED
	Y704734	1	NUT, HEX FLANGE TOP LOCK, 3/8-16
34	101158M1	1	ANGLE, SHIELD
35	71385690	1	UPPER SHIELD ASY.
	70923341	3	CAPSCREW, 1/4-20 X 3/4
	353769X1	3	WASHER, 1/4, HARDENED
	70916964	3	LOCKWASHER, 1/4
	70916622	3	NUT, 1/4, REG
36	71387325	1	LOWER SHIELD ASY.
	70921210	2	CAPSCREW, 3/8-16 X 1 GR5
	Y704734	2	NUT, HEX FLANGE TOP LOCK, 3/8-16
	70537291	1	SNAP, FASTENER
	700717635	1	RIVET
37	71385802	1	SHEAVE ASY.(INCL. BUSHING & LUBE FTG)
	70921332	6	CAPSCREW, 5/16-18 X 3/4 GR5
	70917356	6	LOCKWASHER, 5/16
	71157144	1	BUSHING
	13811X	1	LUBE FTG, STR, 1/4-28 TAPER THD
38	71380994	1	LIMITER, TORQUE
	71350535	AR	KIT, REPAIR, 8 CAMS & SPRINGS
	71350536	AR	KIT, REPAIR, RINGS & LUBE FITTINGS
	70923326	2	SETSCREW, SQ HD, 3/8-16 X 1
	70917421	2	JAM NUT, 3/8-16
39	61085	1	KEY, SQUARE, 1/4 X 1-1/2
40	70921965	1	CAPSCREW, 3/8-16 X 3/4 GR5
	Y705533	1	WASHER, 3/8, HARDENED

MCO0274
PR: 272

STAINLESS STEEL ELEVATOR PACKAGE
RICE



9790 COMBINE
GRAIN BIN & ELEVATOR

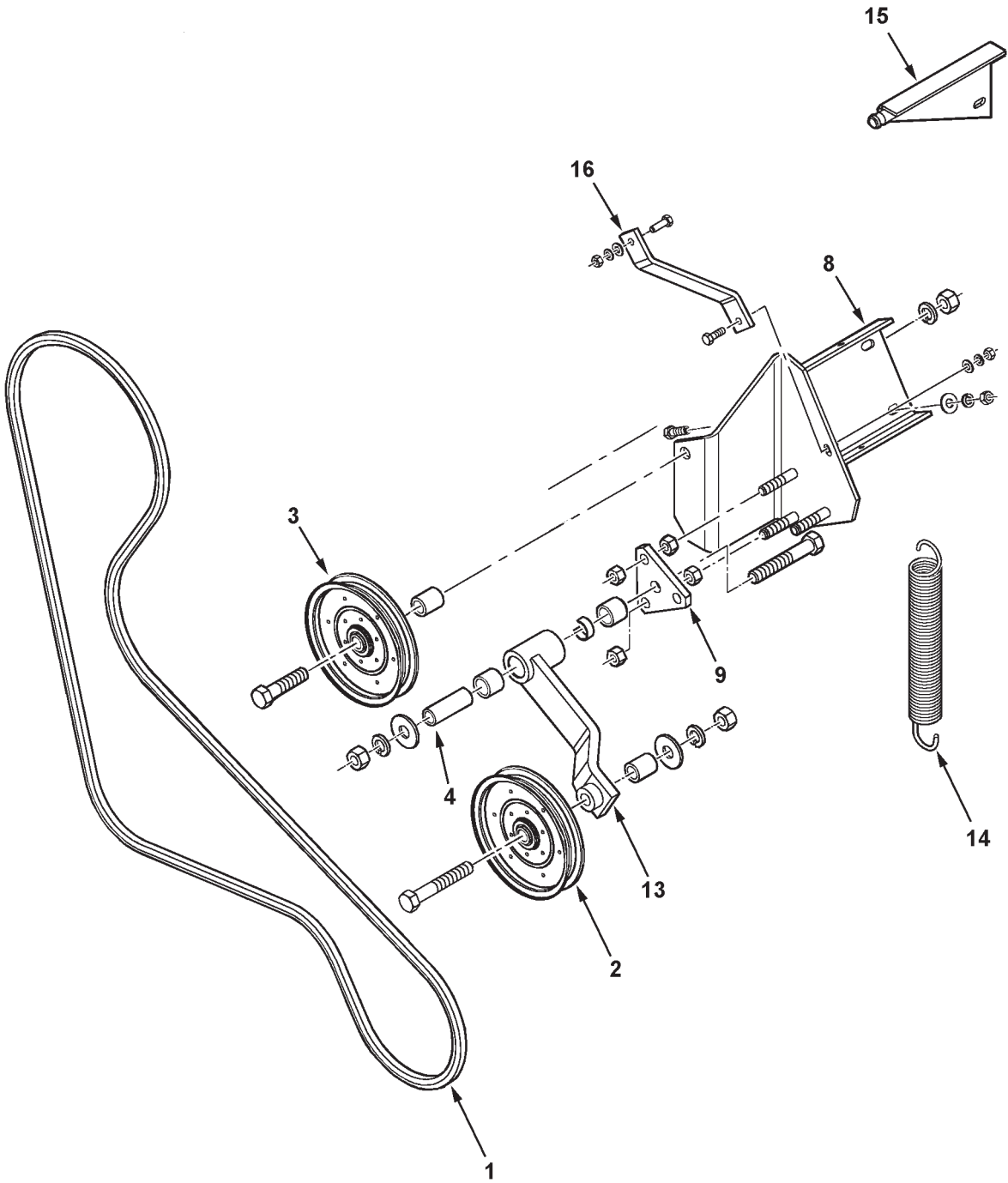
473

STAINLESS STEEL ELEVATOR PACKAGE
RICE

ITEM	NUMBER	QTY	DESCRIPTION
-	71409419	AR	PACKAGE, STAINLESS STEEL ELEVATOR (INCLUDES FOLLOWING)
1	71409280	1	FLOOR WLMT, INLET
2	71414409	1	PATCH WLMT, RETURN INLET
3	71409284	6	CAP PLATE, CYL. BAR END
4	71399999	1	AUGER HOUSING WLMT (PRIOR S/N HR36101)
5	71409270	1	EXTENSION WLDMT, RH GRAIN AUGER TROUGH
6	71409269	1	FILLER WLDMT, BOOT, GRAIN ELEV.
7	71409267	1	COVER PLATE, GRAIN ELEV. BOOT
8	71409266	1	PLATE, BEARING, GRAIN ELEV. BOOT
9	71409271	1	BODY WLDMT, GRAIN ELEV.
10	71409268	1	BOOT WLDMT, GRAIN ELEV.
11	71409265	1	LOWER DOOR WLMT, GRAIN ELEV.
12	71408514	1	BACK PLATE WLMT, ELEV. HEAD
13	71409402	1	COVER ASY, GRAIN BIN LOADER
14	71409371	1	EXTENSION WLMT, RETURN AUGER TROUGH
15	71409379	1	COVER PLATE, RETURN ELEV. BOOT
16	71409380	1	BOOT WLMT, RETURN ELEV.
17	71409384	1	FILLER WLMT, RETURN ELEV. BOOT
18	71409374	1	BODY WLMT, RETURN ELEV., RICE
19	71409370	1	PLATE, BEARING, RETURN ELEV. BOOT
20	71409382	1	DOOR WLMT, RETURN ELEV.
21	111743W1	2	DECAL, WARNING, ELEVATOR
22	71379129	2	DECAL, WARNING, FALLING OFF (NOT ILLUS.)
23	71379126	1	DECAL, WARNING, HIGH PRESSURE FLUID (NOT ILLUS.)
24	71394175	1	DECAL, VALVE STACK (NOT ILLUS.)

MC00394
PR: t05e26j58c0003

RETURN ELEVATOR DRIVE



**9790 COMBINE
GRAIN BIN & ELEVATOR**

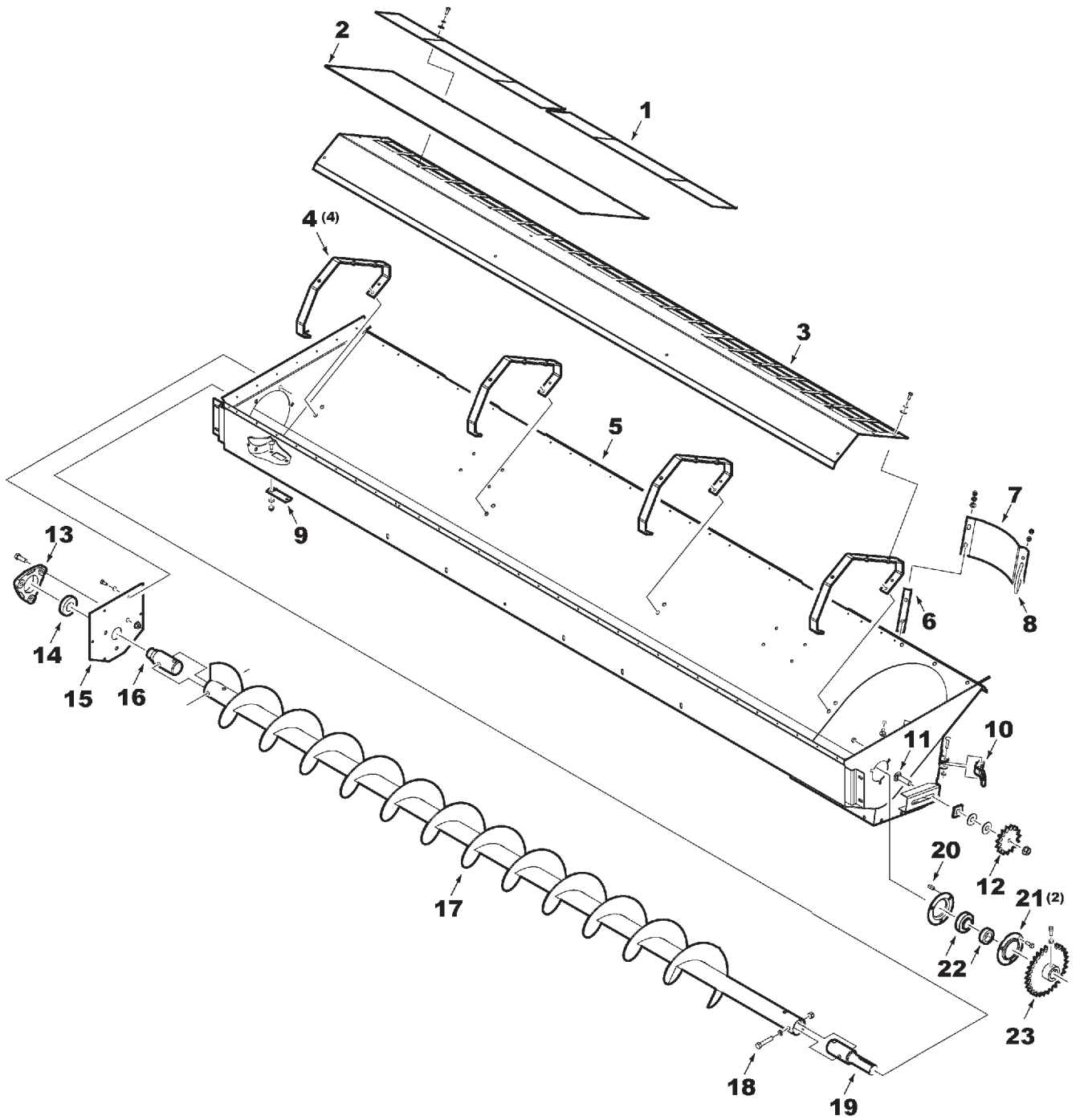
475

RETURN ELEVATOR DRIVE

ITEM	NUMBER	QTY	DESCRIPTION
1	71385801	1	BELT, RETURN ELEVATOR DRIVE
2	2447080W1	1	SHEAVE IDLER
	70925703	1	CAPSCREW, 5/8 X 4.0
	70918432	1	WASHER, 5/8 NOM - 10 GA
	6136964	1	SPACER
	70917373	1	LOCKWASHER, 5/8
	70932665	1	NUT, 5/8-11
3	2447080W1	1	SHEAVE IDLER
	7701683	1	CAPSCREW, 5/8-11 X 3
	6136964	1	SPACER
	70932665	2	NUT, 5/8-11
	70917373	2	LOCKWASHER, 5/8
4	71356061	1	SLEEVE, HARD, IDLER PIVOT
	70925703	1	CAPSCREW, 5/8 X 4.0
	70918432	2	WASHER, 5/8 NOM - 10 GA
	70917373	1	LOCKWASHER, 5/8
	70932665	1	NUT, 5/8-11
8	71385694	1	SUPPORT WELDMENT
	70920415	2	CAPSCREW, 3/8-16 X 1-1/4
	70917378	2	WASHER, 3/8
	70916965	2	LOCKWASHER, 3/8
	70916950	2	NUT, 3/8-16
9	71182840	1	PLATE, MOUNTING
	70913744	6	NUT, JAM 1/2-13
13	71385697	1	IDLER ARM ASY, W/BUSHINGS
	71356060	2	BUSHING
	71197117	1	SPACER
	70915019	1	FITTING LUBE 1/4-28 X 90 DEG.
	2634840W1	1	DECAL, GREASE (10HR)(PRIOR HR36101)
14	1579720W1	1	SPRING
15	2636631W91	1	ANCHOR WLMT, SPRING
	70920415	2	CAPSCREW, 3/8-16 X 1-1/4
	70917378	2	WASHER, 3/8
	70916965	2	LOCKWASHER, 3/8
	70916950	2	NUT, 3/8-16
16	71384912	1	BRACE
	70921333	2	CAPSCREW, 5/16-18 X 1.0
	700709602	2	WASHER, 5/16
	70917356	2	LOCKWASHER, 5/16
	70917372	2	NUT, 5/16-18

71385700
PR: 276

UNLOADING AUGER
LOWER



**9790 COMBINE
GRAIN BIN & ELEVATOR**

477

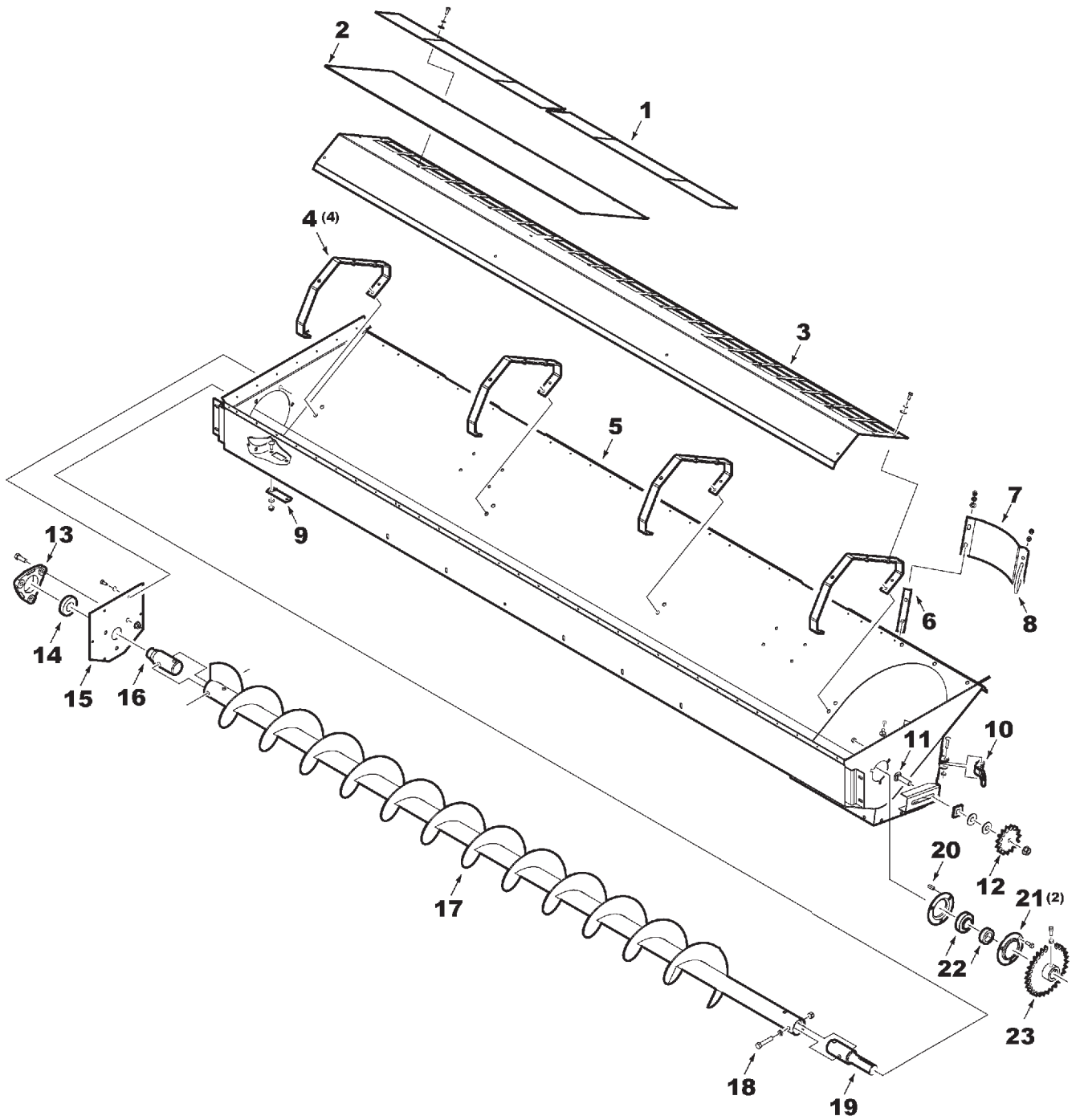
**UNLOADING AUGER
LOWER**

ITEM	NUMBER	QTY	DESCRIPTION
1	71391975	2	PLATE, SLIDING COVER
	372729X1	4	SCREW, SELF-TAP 5/16-18 X 3/4
	70917356	4	LOCKWASHER, 5/16
	70917642	4	WASHER, FLAT 5/16
2	71396662R	1	THROTTLE, CROSS AUGER
3	71391974	1	COVER, AUGER
	372729X1	12	SCREW, SELF-TAP 5/16-18 X 3/4
	70917356	12	LOCKWASHER, 5/16
4	71390364	4	BRACKET, COVER
	70927477	12	SCREW, SELF-TAP 5/16-18 X 1.0
5	71400922R	1	TROUGH & BOOT WLDMT
6	2476230W1	1	SPACER
7	2476203W1R	1	DOOR ASY
	68759	2	SCREW, RHSSN 3/8-16 X 1.0
	70917378	2	WASHER, FLAT 3/8
	70916965	2	LOCKWASHER, 3/8
	70916950	2	HEXNUT, 3/8-16
8	2476240W1	1	LATCH, BOLT
	70916950	4	HEXNUT, 3/8-16
9	108202W1	1	STRAP
	360503X1	2	SCREW, RHSSN 5/16-18 X 1.0
	70917642	2	WASHER, FLAT 5/16
	70917356	2	LOCKWASHER, 5/16
	70917372	2	HEXNUT, 5/16-18
10	1799410W1	1	LATCH
	70927523	1	PIN, OVAL HD, 5/16 X 1-1/2
	70918265	1	WASHER, FLAT 5/16
	70918447	1	PIN, COTTER 3/32 X 3/4
11	70926694	1	BOLT, RD HD SQ NK, 5/8-11 X 2-1/2
	510060W1	1	SPACER
	70918432	2	WASHER, FLAT 5/8
	700703922	1	LOCKNUT, 5/8-11
12	71378873	1	SPROCKET, IDLER 15T
13	1508070W1P	1	HOUSING, BEARING
	701235	3	CAPSCREW, 1/2-13 X 1-1/2
	Y704742	3	LOCKNUT, 1/2-13
14	831822M1	1	BEARING
15	71391135	1	PLATE, BEARING
	372729X1	6	SCREW, SELF-TAP 5/16-18 X 3/4
	70917356	6	LOCKWASHER, 5/16
16	71391140	1	SHAFT, STUB (RH)
17	71392675	1	AUGER, CROSS (STD)
	71394318	1	AUGER, CROSS (CHROME)
18	70923320	4	CAPSCREW, 1/2-13 X 3.0
	71354345	4	SPACER
	Y704742	4	LOCKNUT, 1/2-13
19	71391141	1	SHAFT, STUB (LH)
20	Y761312	1	KEY, 5/16 X 2-1/2

CONTINUED

MC00276
PR: 278

UNLOADING AUGER
LOWER



9790 COMBINE
GRAIN BIN & ELEVATOR

479

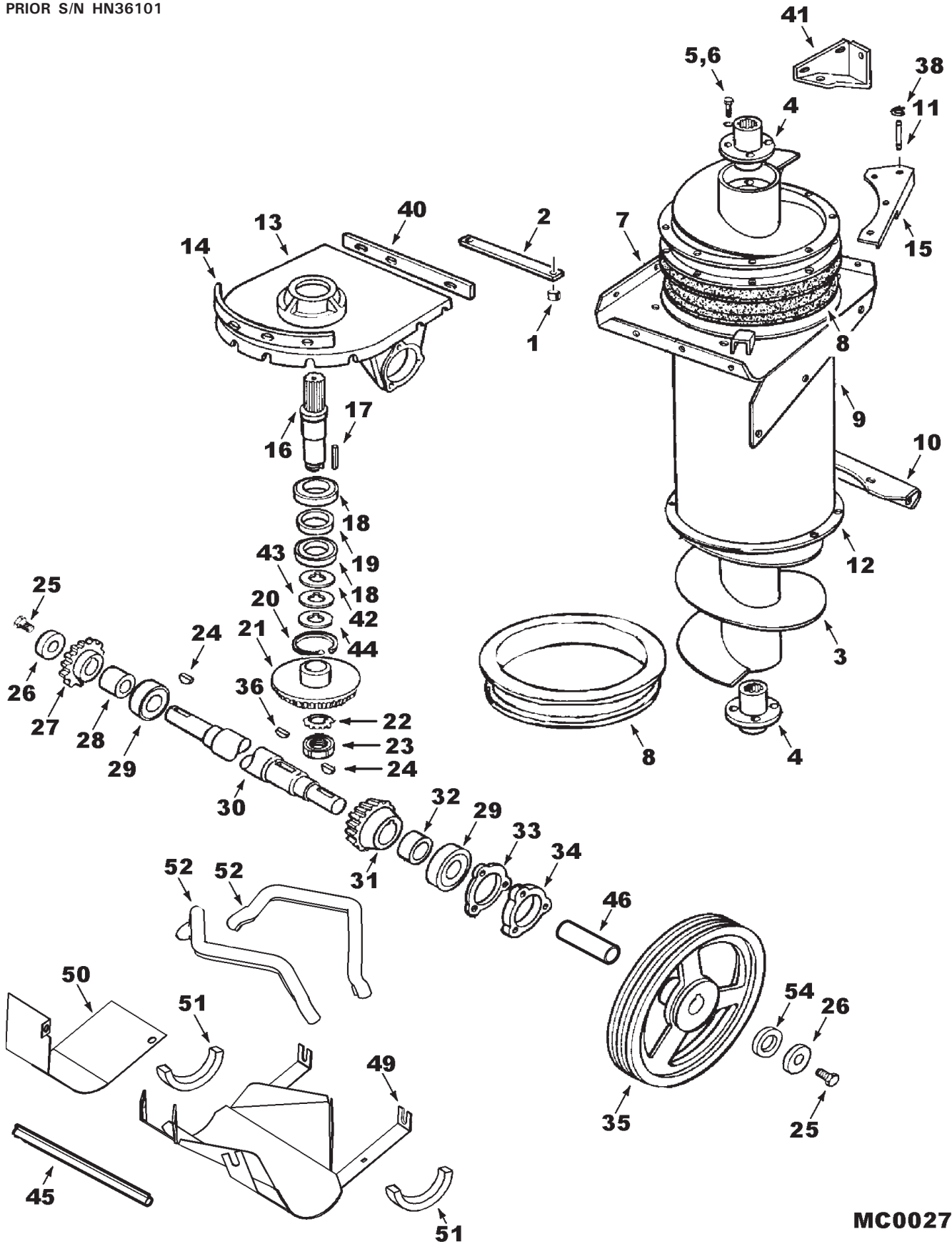
UNLOADING AUGER
LOWER

ITEM	NUMBER	QTY	DESCRIPTION
21	700717509	2	FLANGE, BEARING
	68759	3	BOLT, RD HD SQ NK, 3/8-16 X 1
	70916950	3	NUT, 3/8-16 REG
	70916965	3	LOCKWASHER, 3/8
22	50021	1	BEARING, BALL W/COLLAR
	K3999	1	COLLAR, BRG., 1-3/8 ID X 2-3/16 OD
23	71391133	1	SPROCKET, 42T
	70923326	2	SETSCREW, 3/8-16 X 1.0
	70917421	2	JAMNUT, 3/8-16
-	71414301	AR	KIT, RICE UNLOADING AUGER PADDLES (EFF. S/N HN36101)(INCLUDES FOLLOWING) (ORDER THRU BATAVIA PARTS)
	71412973	1	DEFLECTOR PANEL
	71412972	2	PADDLE, CROSS AUGER

NOTE:FOR CHAIN SEE DRIVE CHAINS LISTING

MC00276
PR: 278

UNLOADING AUGER
VERTICAL
PRIOR S/N HN36101



**9790 COMBINE
GRAIN BIN & ELEVATOR**

481

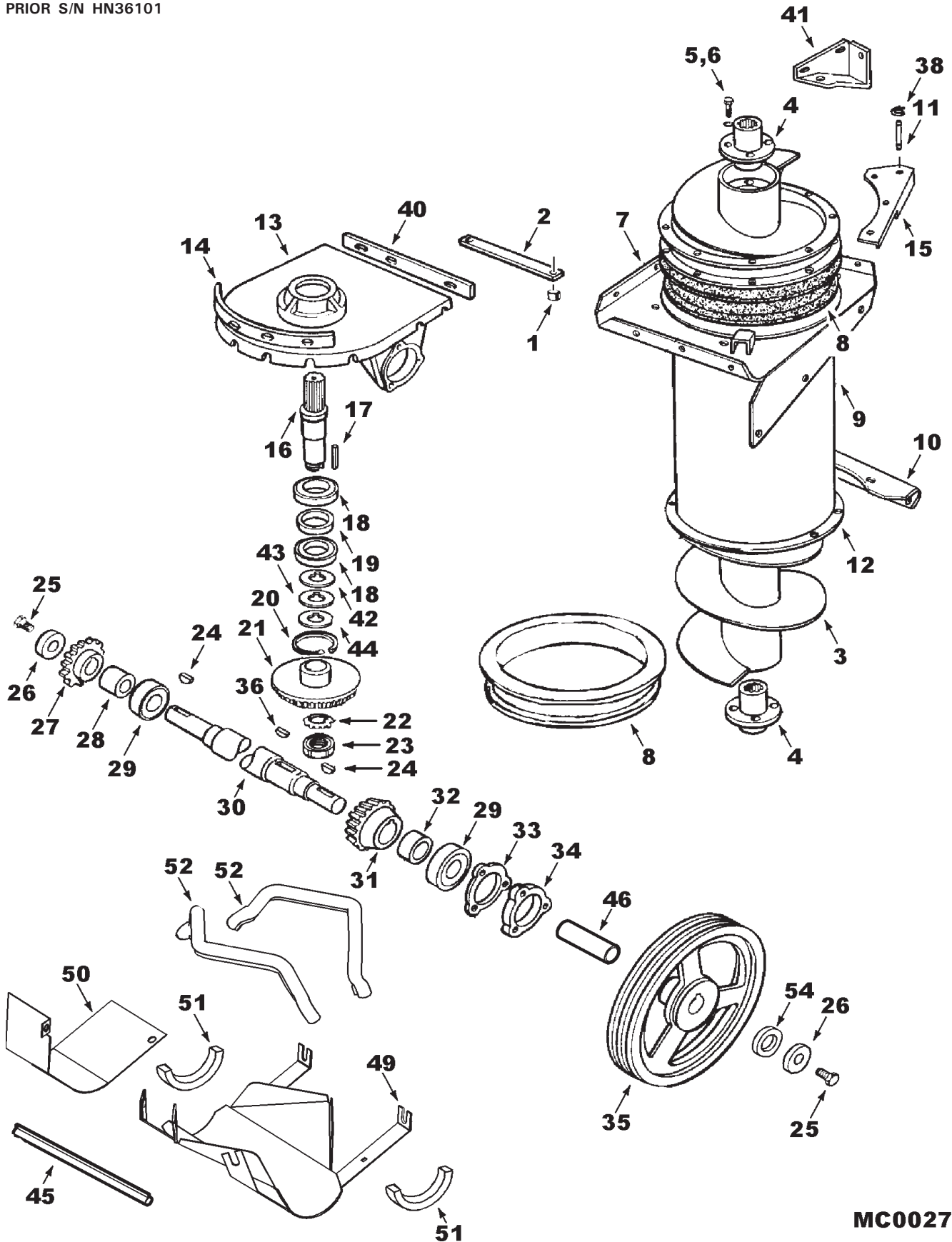
**UNLOADING AUGER
VERTICAL
PRIOR S/N HN36101**

ITEM	NUMBER	QTY	DESCRIPTION
1	1786320W1	4	SPACER, .49 X .68 OD X .59 LG
2	2493000W1	2	STRAP, HOLD DOWN, 1 X 12 X 3/8
	70921971	4	CAPSCREW, 3/8-16 X 1-3/4
	70918431	4	WASHER, 1/2 WIDE
	Y704734	4	NUT, HEX FLNG TOP LOCK, 3/8-16
3	71390926	1	AUGER ASSEMBLY, UNLOADER
	71391336	1	AUGER ASSEMBLY, UNLOADER (CHROME)
4	2526120W1	2	HUB, VERTICAL AUGER
5	70920328	8	CAPSCREW, 1/2-13 X 1-1/2 GR5
6	Y705046	8	LOCKWASHER, 1/2
7	71390360	1	GUIDE ASSEMBLY
	70921333	6	CAPSCREW, 5/16-18 X 1 GR5
	Y704726	6	NUT, HEX FLNG TOP LOCK, 5/16-18
	70921210	6	CAPSCREW, 3/8-16 X 1 GR5
	Y704734	6	NUT, HEX FLNG TOP LOCK, 3/8-16
8	104021W1	2	STRIP, WEAR
9	112977W92R	1	TUBE WLDMT, VERTICAL, UNLOADER
10	2601260W1	1	BRACKET, TUBE SUPPORT
	70923220	3	BOLT, RD HD SQ NK, 3/8-16 X 1-1/4
	70917378	3	WASHER, 3/8 WIDE
	Y704734	3	NUT, HEX FLNG TOP LOCK, 3/8-16
11	108575W1	2	PIN, 5/8 X 2 3/4
12	2438160W1	1	RING, LOWER GUIDE
	70931350	2	BOLT, RD HD SQ NK, 3/8-16 X 1 GR5
	70931942	2	SPEED NUT, 3/8 THD.
	Y704734	2	NUT, HEX FLNG TOP LOCK, 3/8-16
13	2486140W1	1	HOUSING, VERTICAL AUGER
14	71379825	AR	SHIM, RADIUS, .060 TH (QTY 2 AVE.)
	7701055	2	CAPSCREW, 3/8-16 X 1-3/4
	70921969	12	CAPSCREW, 3/8-16 X 1-1/2
	70917378	28	WASHER, 3/8 WIDE
	Y704734	14	NUT, HEX FLNG TOP LOCK, 3/8-16
15	112716W92	1	BRACKET ASY, CYLINDER PIVOT
	70921176	4	CAPSCREW, 1/2-13 X 1-1/4
	Y704742	4	NUT, HEX FLNG TOP LOCK, 1/2-13
16	2486150W1	1	SHAFT, OUTPUT
17	70903082	1	KEY, SQUARE, 3/8 X 3/8 X 2
18	833059M1	2	BEARING, BALL
19	2486160W1	1	SPACER, 1.59 X 2.0 X .67 LG
20	70925997	1	RING, INTERNAL SNAP
21	2486170W2	1	GEAR, UNLOADER, 35T
22	70932997	1	LOCKWASHER, EXTERNAL TOOTH, 1-3/8
23	70932996	1	LOCKNUT, BALL BEARING, 1-3/8-18UNEF
24	355485X1	2	KEY, WOODRUFF, 5/16 X 2-1/8
25	70921176	2	CAPSCREW, 1/2-13 X 1-1/4 GR5
26	2485470W1	2	WASHER, 17/32 X 2 X 3/8 TH
27	71391131	1	SPROCKET WLDMT, DRIVE, 15 TEETH

CONTINUED

MC00278
PR: 280

UNLOADING AUGER
VERTICAL
PRIOR S/N HN36101



**9790 COMBINE
GRAIN BIN & ELEVATOR**

483

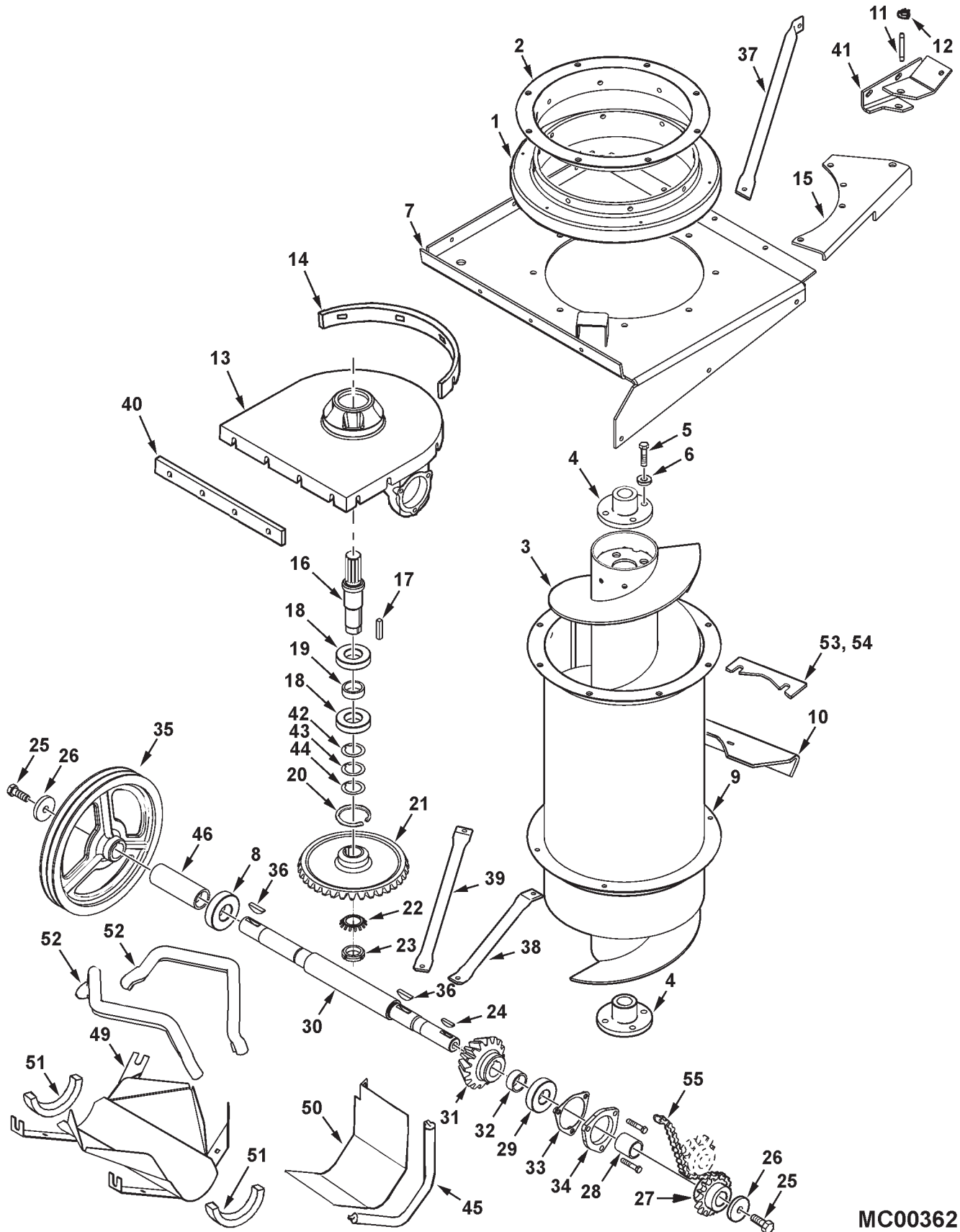
**UNLOADING AUGER
VERTICAL
PRIOR S/N HN36101**

ITEM	NUMBER	QTY	DESCRIPTION
28	71397246	1	SPACER, 1.44 ID X 1.75 OD X 1.82 LG
29	354920X1	2	BEARING, BALL
30	2597740W1	1	SHAFT, INPUT - UNLOADER
31	2460840W2	1	GEAR, PINION, 16T
32	2493870W1	1	SPACER, 1.52 ID X 1.88 OD X .763 LG
33	1500050W1	AR	SHIM, RED, PLASTIC, .002
33	1500060W1	AR	SHIM, BLUE, PLASTIC, .005
33	1500070W1	AR	SHIM, BROWN, PLASTIC, .010
34	2452270W1	1	CAP, BEARING
	70923701	1	CAPSCREW, 3/8-16 X 2
	70922130	2	CAPSCREW, 3/8-16 X 2-1/4
	Y704734	3	NUT, HEX FLNG TOP LOCK, 3/8-16
35	71390860	1	PULLEY, VERTICAL AUGER
36	W937119	1	KEY, WOODRUFF, 3/8 X 2 1/8
38	377690X1	4	RING, RETAINING
40	71379824	AR	SHIM, SIDE, UNLDR BOOT, .060 (2 AVE.)
41	112720W91	1	BRACKET WLMT,CYL.(PRIOR MID S/N HN36---)
	71403919	1	BRACKET WLMT, CYL.(EFF. MID S/N HN36---)
	70921210	1	CAPSCREW, 3/8-16 X 1 GR5
	70921969	1	CAPSCREW, 3/8-16 X 1-1/2 GR5 (PRIOR MID S/N HN36---)
	70920415	1	CPSCR, 3/6-16 X 1-1/4 GR5 (EFF. MID S/N HN36---)
	70917378	2	WASHER, 3/8 WIDE
	Y704734	2	NUT, HEX FLANGE TOP LOCK, 3/8-16
	701235	1	CAPSCREW, 1/2-13 X 1-1/2 GR5
	70923114	1	CAPSCREW, 1/2-13 X 1 GR5
	Y704742	2	NUT, HEX FLANGE TOP LOCK, 1/2-13
42	104740W1	AR	SHIM, .005
43	104741W1	AR	SHIM, .010
44	104742W1	AR	SHIM, .020
45	71395983	1	SEAL, CHAIN COVER
46	-----	1	SPACER, SLEEVE (9690 ONLY)
49	71391435	1	COVER WLDMT, UNLOADER GEARS
50	71393854	1	COVER, CHAIN
	7700461	3	BOLT, RD HD SQ NK, 5/16-18 X 3/4
	70917372	3	NUT, 5/16-18 REG
	70917356	3	LOCKWASHER, 5/16
	700709602	3	WASHER, 5/16 WIDE
51	71391441	2	FOAM STRIP-ADHESIVE BACK
52	71393916	2	SEAL, GEAR COVER
54	2619570W1	1	SPACER
-	79014728	AR	GREASE
-	70937715	AR	LUBE, DRY FILM, 3M-TFE, SPRAYON

MCO0278
PR: 280

9790 COMBINE
GRAIN BIN & ELEVATOR

UNLOADING AUGER
VERTICAL
EFFECTIVE S/N HN36101



**9790 COMBINE
GRAIN BIN & ELEVATOR**

485

**UNLOADING AUGER
VERTICAL
EFFECTIVE S/N HN36101**

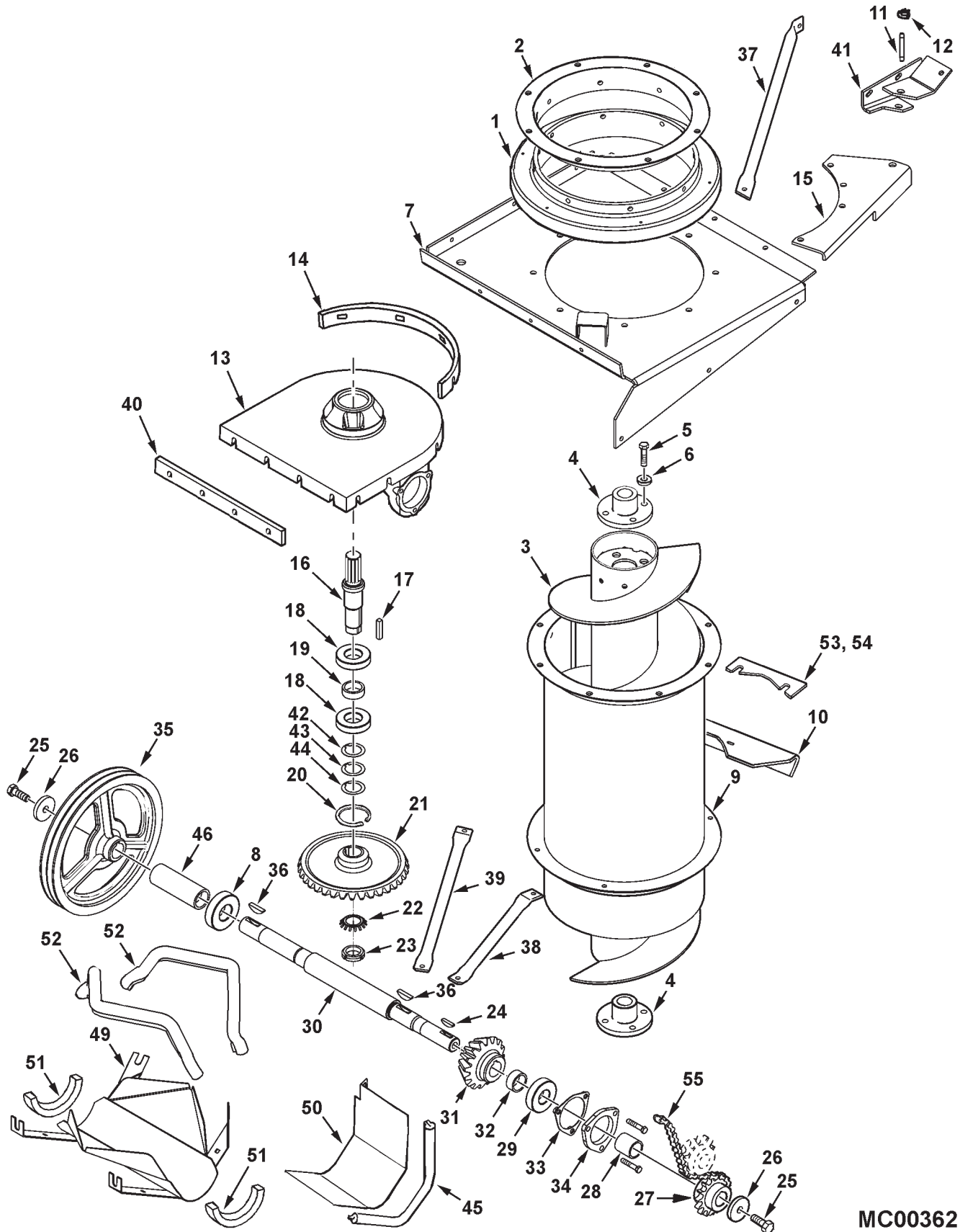
ITEM	NUMBER	QTY	DESCRIPTION
1	71399662	1	SWIVEL ASY, UNLOADER
	-----	1	RACE, SWVL, OUTER (ORDER SWIVEL ASY)
	71382933	1	RACE, SWIVEL, INNER
	70917580	AR	BALL, 1/2" (FULL QTY 112)
	77057	5	LUBE FTG, 90 DEG ELB, 1/4-28 TAPER
	70921176	8	CAPSCREW, 1/2-13 X 1-1/4 GR5
	Y705046	8	LOCKWASHER, 1/2
2	71399661	1	RING, ELBOW ADAPTER
	70934842	9	SCR,HEX SCKT FLAT HD, 3/8-16 X 1-1/4
	70916950	9	NUT, 3/8-16 REG
3	71399858	1	AUGER ASY, UNLOADER, W/HUBS
	71399861	1	AUGER ASY, CHROME, UNLOADER, W/HUBS
4	2526120W1	2	HUB, VERTICAL AUGER
	70920328	8	CAPSCREW, 1/2-13 X 1-1/2 GR5
	Y705046	8	LOCKWASHER, 1/2
	71399656	1	GUIDE WLDMT, UNLOADER, UPPER
	70921333	6	CAPSCREW, 5/16-18 X 1 GR5
	Y704726	6	NUT, HEX FLNG TOP LOCK, 5/16-18
	70921210	6	CAPSCREW, 3/8-16 X 1 GR5
	Y704734	6	NUT, HEX FLNG TOP LOCK, 3/8-16
8	832982M1	1	BEARING, BALL, CYLINDRICAL
9	71399654	1	TUBE WLDMT, VERTICAL, UNLOADER
	70921176	8	CAPSCREW, 1/2-13 X 1-1/4 GR5
	Y705046	8	LOCKWASHER, 1/2
	768036	2	BOLT, RHSN, 3/8-16 X 1-1/2(FULL THD)
	70931942	2	SPEED NUT, 3/8
	Y704734	2	NUT, HEX FLANGE TOP LOCK, 3/8-16
10	71399675	1	BRACKET, TUBE SUPPORT
	70923220	3	BOLT, RD HD SQ NK, 3/8-16 X 1-1/4
	70917378	3	WASHER, 3/8 WIDE
	Y704734	3	NUT, HEX FLNG TOP LOCK, 3/8-16
11	108575W1	2	PIN, 5/8 X 2-3/4
12	377690X1	4	RETAINING RING, EXTERNAL
13	71397248	1	HOUSING, GEAR, UNLOADER
14	71379825	AR	SHIM, RADIUS, .060 TH (QTY 2 AVE.)
	7701055	2	CAPSCREW, 3/8-16 X 1-3/4 GR5
	70921969	12	CAPSCREW, 3/8-16 X 1-1/2 GR5
	70917378	28	WASHER, 3/8 WIDE
	Y704734	14	NUT, HEX FLNG TOP LOCK, 3/8-16
15	112716W92	1	BRACKET ASY, CYLINDER PIVOT
	70921176	4	CAPSCREW, 1/2-13 X 1-1/4
	Y704742	4	NUT, HEX FLNG TOP LOCK, 1/2-13
16	2486150W1	1	SHAFT, OUTPUT, 8-7/16 LG
17	70903082	1	KEY, GEAR, 3/8 X 3/8 X 2
18	833059M1	2	BEARING, BALL
19	2486160W1	1	SPACER, 1-39/64 X 2 X 21/32 LG
20	70925997	1	RING, INTERNAL SNAP, 3-17/32 X 7/64
21	2486170W2	1	GEAR, UNLOADER, 35T
22	70932997	1	LOCKWASHER, EXTERNAL TOOTH, 1-3/8
23	70932996	1	LOCKNUT, BALL BEARING, 1-3/8-18UNEF

CONTINUED

MC00362
PR: t04c24o27c0003

9790 COMBINE
GRAIN BIN & ELEVATOR

UNLOADING AUGER
VERTICAL
EFFECTIVE S/N HN36101



**9790 COMBINE
GRAIN BIN & ELEVATOR**

487

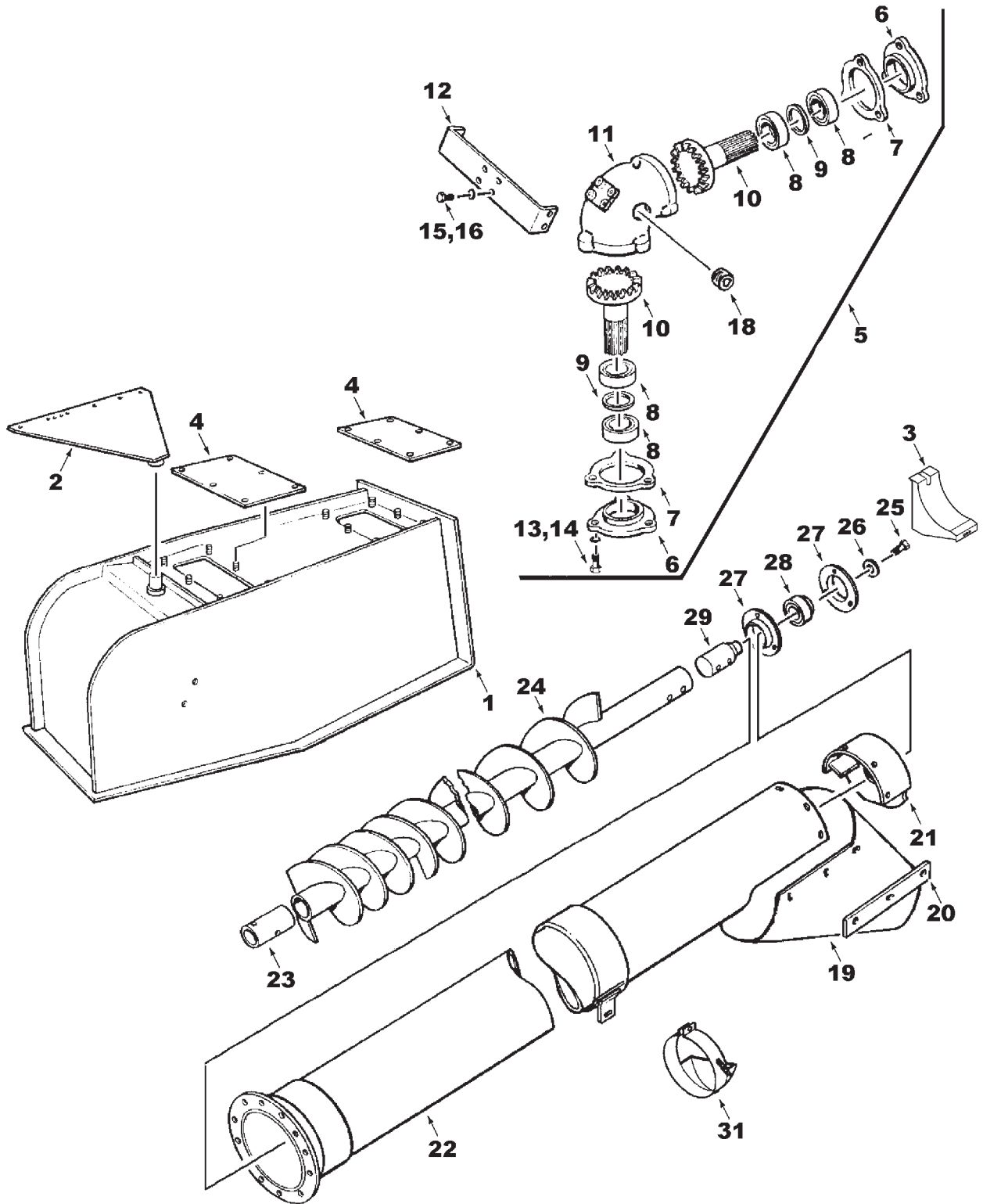
**UNLOADING AUGER
VERTICAL
EFFECTIVE S/N HN36101**

ITEM	NUMBER	QTY	DESCRIPTION
24	355485X1	1	KEY, WOODRUFF, 5/16 X 2-1/8
25	70923112	2	CAPSCREW, 5/8-11 X 1-3/4 GR5
26	2407570W1	2	WASHER, .656 X 2.37 OD X .375 TH
27	71391131	1	SPROCKET ASY, DRIVE, 20 TEETH
28	71397246	1	SPACER, 1.44 ID X 1.75 OD X 1.82 LG
29	354920X1	1	BEARING, BALL
30	71398399	1	SHAFT, INPUT
31	2460840W2	1	GEAR, PINION, 16T
32	2493870W1	1	SPACER, 1.52 ID X 1.88 OD X .763 LG
33	1500050W1	AR	SHIM, RED, PLASTIC, .002
33	1500060W1	AR	SHIM, BLUE, PLASTIC, .005
33	1500070W1	AR	SHIM, BROWN, PLASTIC, .010
34	2452270W1	1	CAP, BEARING
	70920415	3	CAPSCREW, 3/8-16 X 1-1/4
35	71397244	1	SHEAVE, DRIVEN, UNLOADER
36	W937119	2	KEY, WOODRUFF, 3/8 X 2 1/8
37	71399674	1	BRACE, SWING CYLINDER
38	71399665	1	BRACE,VERT AUGER TUBE(PRIOR S/N HR36101)
	71408989	1	* STRAP, BRACE
	71408990	1	* STRAP, BRACE
	70920415	3	* CAPSCREW, 3/8-16 X 1-1/4 GR5
	70917378	3	* WASHER, 3/8 WIDE
	Y704734	3	* NUT, HEX FLANGE TOP LOCK, 3/8-16
	70921210	2	CAPSCREW, 3/8-16 X 1 GR5
	Y704734	2	NUT, HEX FLNG TOP LOCK, 3/8-16
39	71399666	1	BRACE, VERTICAL AUGER TUBE
	70921210	2	CAPSCREW, 3/8-16 X 1 GR5
	Y704734	2	NUT, HEX FLNG TOP LOCK, 3/8-16
40	71379824	AR	SHIM, SIDE, UNLDR BOOT, .060 (2 AVE.)
41	112720W91	1	BRACKET WLDMT, CYLINDER ANCHOR
	70921210	2	CAPSCREW, 3/8-16 X 1 GR5
	70921969	1	CAPSCREW, 3/8-16 X 1-1/2 GR5
	70917378	2	WASHER, 3/8 WIDE
	705038	3	LOCKWASHER, 3/8
	70916950	3	NUT, 3/8-16 REG
42	104740W1	AR	SHIM, .005
43	104741W1	AR	SHIM, .010
44	104742W1	AR	SHIM, .020
45	71395983	1	SEAL, CHAIN COVER
46	-----	1	SPACER, SLEEVE (9690 ONLY)
49	71391435	1	COVER WLDMT.-UNLOADER GEARS
50	71393854	1	COVER, CHAIN
	7700461	3	BOLT, RD HD SQ NK, 5/16-18 X 3/4
	70917372	3	NUT, 5/16-18 REG
	70917356	3	LOCKWASHER, 5/16 REG
	700709602	3	WASHER, 5/16 WIDE
51	71391441	2	FOAM STRIP-ADHESIVE BACK
52	71393916	2	SEAL, GEAR COVER
53	71411452	AR	SHIM, .127 TH (EFF. S/N HR36101)
54	71411453	AR	SHIM, .071 TH (EFF. S/N HR36101)
55	-----	1	CHAIN, UNL DRIVE (SEE "CHAINS DRIVE")
-	79014728	AR	GREASE

* EFF. S/N HR36101

MC00362
PR: t04c24o27c0003

UNLOADING AUGER
UPPER



**9790 COMBINE
GRAIN BIN & ELEVATOR**

489

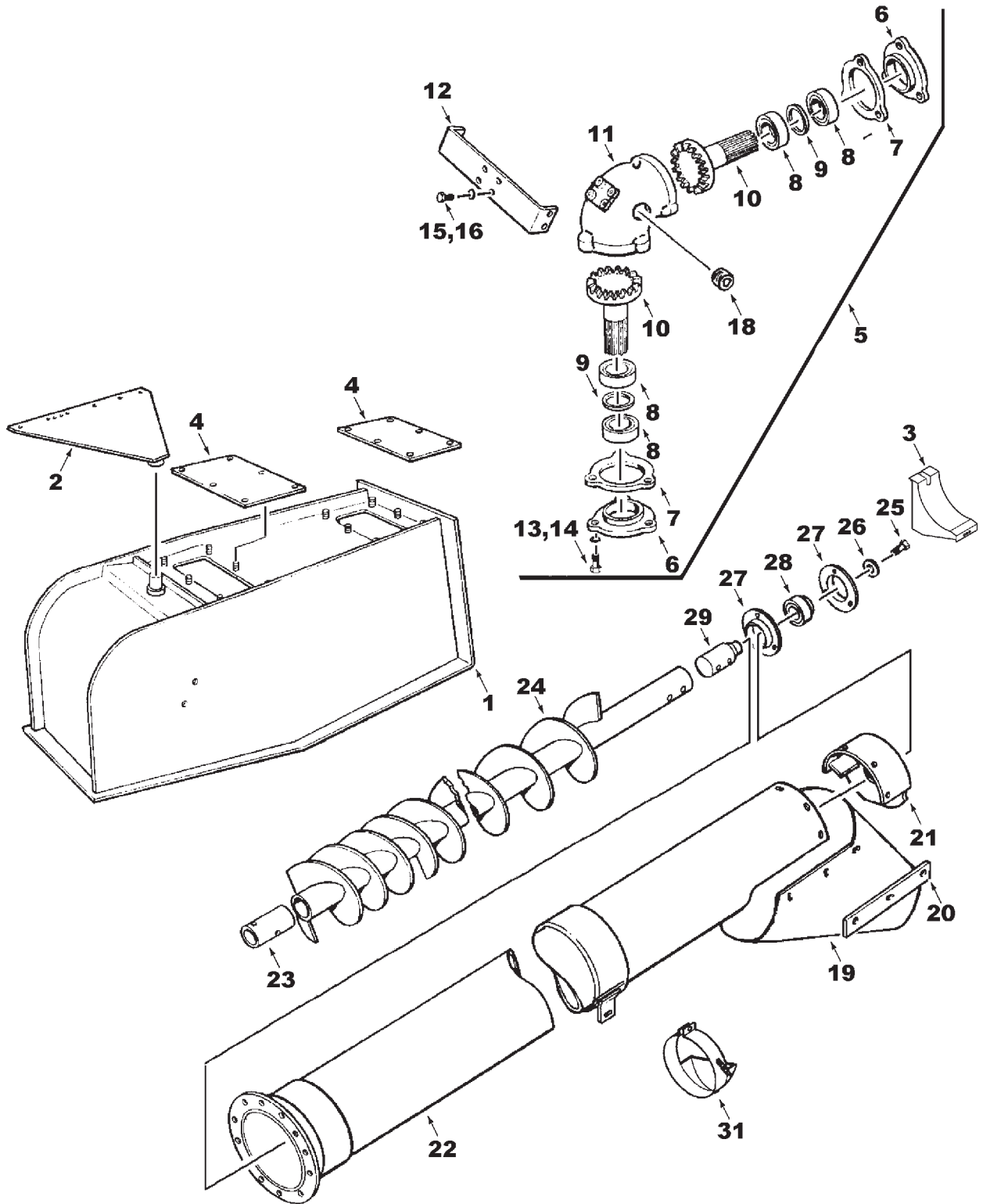
**UNLOADING AUGER
UPPER**

ITEM	NUMBER	QTY	DESCRIPTION
1	2450441W4	1	ELBOW WLDMT, UNLDR (PRIOR S/N HN36101)
	71399658	1	ELBOW WLDMT, UNLDR (EFF. S/N HN36101)
	70921210	4	CAPSCREW, 3/8-16 X 1
	70918830	1	SCREW, HEX SOCKET FLAT HD, 3/8 X 1
	Y704734	5	NUT, HEX FLANGE TOP LOCK, 3/8-16
2	71390357	1	PLATE ASSEMBLY, PIVOT
	832563M1	1	BEARING, SLEEVE
	70921210	5	CAPSCREW, 3/8-16 X 1
	70916950	5	NUT, 3/8-16, REG
3	71390756	1	SADDLE WLDMT, UNLOADER TUBE
4	1736870W1	1	PLATE, COVER (QTY 2, PRIOR S/N HN36101)
	71400919	1	PLATE, COVER (EFF. S/N HN36101)
	Y704734	14	NUT, HEX FLANGE TOP LOCK, 3/8-16
5	2414623W1	1	GEARBOX ASSEMBLY
	79017915	AR	GREASE, MOBILE HP, 14 OZ.
	79021671	AR	PIPE SEALANT
6	1737620W1	2	CAP, GEAR BOX
7	1714410W1	AR	SHIM, .005
	1714400W1	AR	SHIM, .010
	1712530W1	AR	SHIM, .020
8	354920X1	4	BEARING, BALL
9	1714430W1	2	SPACER, BEARING
10	2414640W1	2	GEAR, BEVEL, 18T
11	2414630W2	1	HOUSING, GEAR BOX
	70920328	4	CAPSCREW, 1/2 X 1-1/2
	353773X1	4	WASHER, HEAVY HARD, 1/2
	Y704742	4	NUT, HEX FLG TOP LOCK, 1/2-13
12	2450500W1	1	SUPPORT, GEAR BOX
13	70923325	6	CAPSCREW, 5/16-18 X 7/8
14	70917356	6	WASHER, LOCK, 5/16
15	70921210	4	CAPSCREW, 3/8-16 X 1
16	70916965	4	WASHER, LOCK, 3/8
18	356044X1	1	PLUG, PIPE HEX SOCKET, 1"
19	71400385	1	SPOUT, RUBBER
	70921333	2	CAPSCREW, 5/16-18 X 1
	70917642	4	WASHER, 5/16
	Y704726	2	NUT, HEX FLNG TOP LOCK, 5/16-18
20	1599410W1	2	STRAP, REINFORCEMENT
	70921210	6	CAPSCREW, 3/8-16 X 1
	70917378	6	WASHER, 3/8 WIDE
	Y704734	6	NUT, HEX FLNG TOP LOCK, 3/8-16
21	1721491W2R	1	CAP ASSEMBLY, END
	70921965	3	CAPSCREW, 3/8-16 X 3/4
	70917378	2	WASHER, 3/8 WIDE
	Y704734	3	NUT, HEX FLNG TOP LOCK, 3/8-16
22	71396414	1	TUBE WLDMT, HORIZ. (PRIOR S/N HN36101)
	71399669	1	TUBE WLDMT, HORIZ. (EFF. S/N HN36101)
	70921210	12	CAPSCREW, 3/8-16 X 1
	70916965	6	LOCKWASHER, 3/8
	Y704734	6	NUT, HEX FLNG TOP LOCK, 3/8-16

CONTINUED

MC00277
PR: 284

UNLOADING AUGER
UPPER



**9790 COMBINE
GRAIN BIN & ELEVATOR**

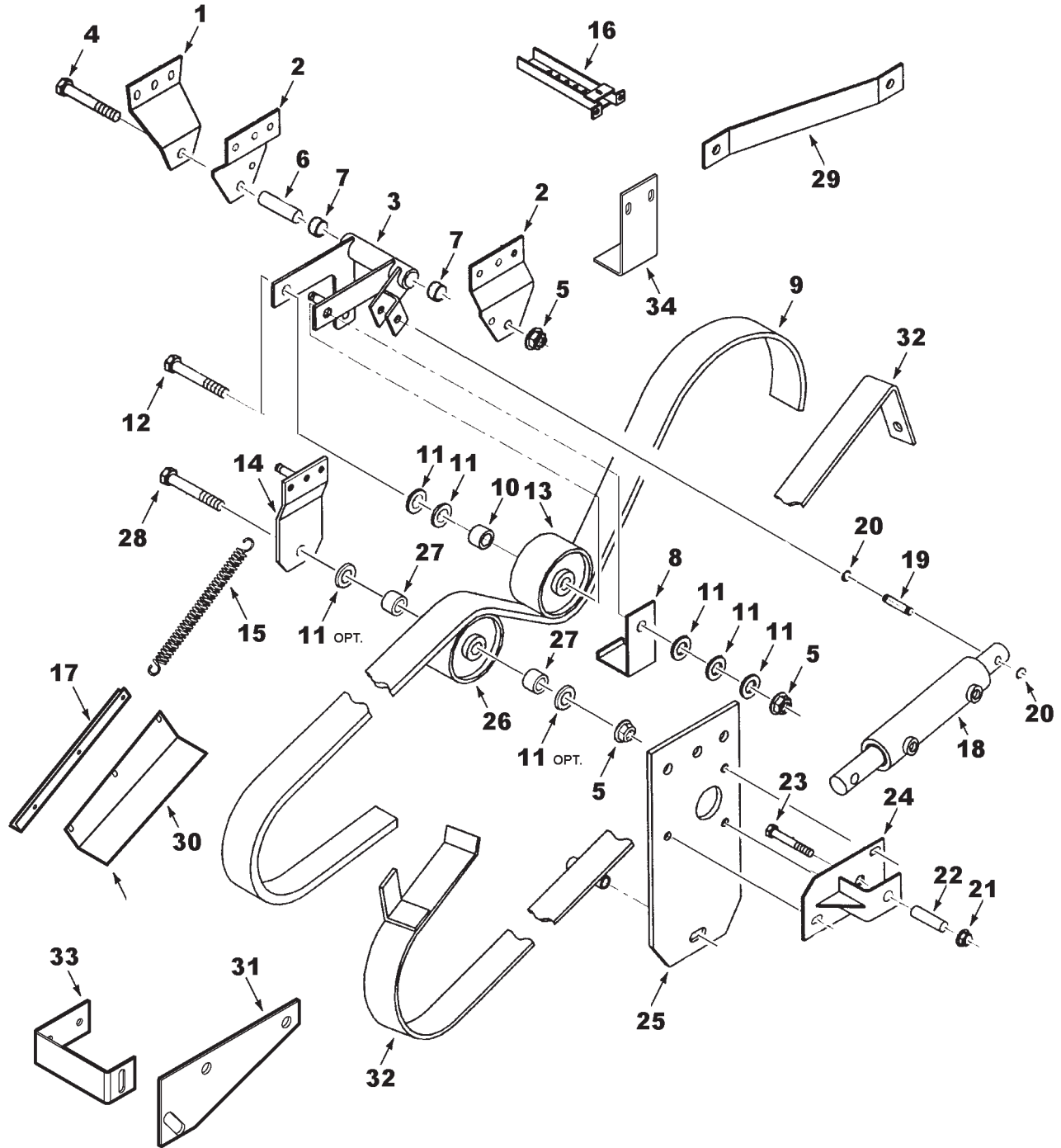
491

**UNLOADING AUGER
UPPER**

ITEM	NUMBER	QTY	DESCRIPTION
23	1736510W1	1	COUPLER, DRIVE
	70920990	2	CAPSCREW, 1/2-13 X 3-1/2
	Y705046	2	LOCKWASHER, 1/2
	704031	2	NUT, 1/2-13
24	71390929	1	AUGER ASY, (INCL ITEMS 23 & 29) (PRIOR S/N HN36101)
	71399854	1	AUGER ASY, (INCL ITEMS 23 & 29) (EFF. S/N HN36101)
25	70926126	1	CAPSCREW, 3/4-10 X 1-1/4
	70919332	1	LOCKWASHER, 3/4
26	1716190W1	1	SPACER, 25/32 X 1-5/8 X 1/4 TH
27	700717509	2	FLANGETTE
	70931350	3	BOLT, RHSN, 3/8-16 X 1
	Y704734	3	NUT, HEX FLNG TOP LOCK, 3/8-16
28	831822M1	1	BEARING, BALL
29	1737660W1	1	SHAFT, STUB
	70920990	2	CAPSCREW, 1/2-13 X 3-1/2
	Y705046	2	LOCKWASHER, 1/2
	704031	2	NUT, 1/2-13
31	294148M91	1	SPILL SAVER
	79019067	2	SPRINGS
	70936104	1	CAPSCREW, 5/16-18 X 2-3/4 FULL THD
	70917642	1	WASHER, FLAT, 5/16
	70923362	1	NUT, HEX CNTR LOCK, 5/16-18
	71378014	1	KIT, SPILL SAVER (ORDER THRU DEALER CENTRAL)
-	700707823	AR	SILICONE

MC00277
PR: 284

UNLOADER DRIVE



**9790 COMBINE
GRAIN BIN & ELEVATOR**

493

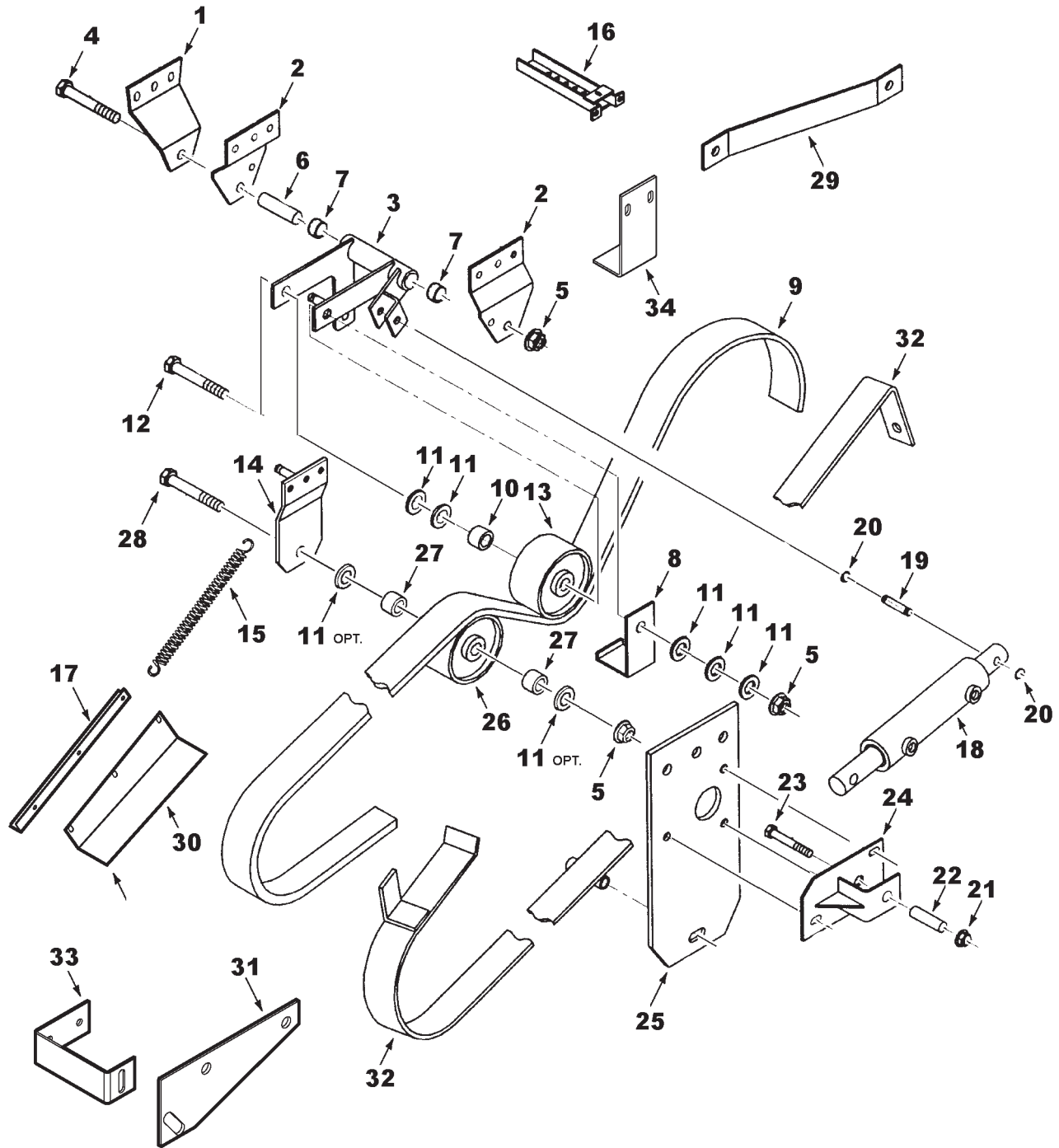
UNLOADER DRIVE

ITEM	NUMBER	QTY	DESCRIPTION
1	71388739	1	PLATE
2	108592W1	2	PLATE
	703249	6	CAPSCREW, 3/8-16 X 1 GR5
	Y704734	6	NUT, HEX FLNG TOP LOCK, 3/8-16
3	108586W91	1	IDLER ARM ASY (PRIOR S/N HP36101) (SERVICE W/ 71403710)
	71403710	1	IDLER ARM ASY
4	112774W1	1	BOLT, HEX SPECIAL, 5/8-11 X 7
5	915891W1	3	NUT, HEX FLNG TOP LOCK, 5/8-11
6	2624230W1	1	SLEEVE, IDLER PIVOT
7	1689170W1	2	BUSHING, STEEL
8	108602W1	1	STRAP, BELT GUIDE (PRIOR S/N HP36101)
	71403712B	1	STRAP, BELT GUIDE (EFF. S/N HP36101)
9	101102M1	1	BELT (SEE BELT LISTING)
10	368615X1	1	SPACER
11	70918432	6	WASHER, 5/8 WIDE
12	70923501	1	CAPSCREW, 5/8-11 X 3-3/4 GR5
13	1797450W1	1	IDLER, FLAT, 6.5 DIA (PRIOR S/N HP36101)
	2545270W1	1	IDLER, FLAT, 6.5 DIA (EFF. S/N HP36101)
14	108597W91	1	PLATE ASSEMBLY, INNER IDLER SUPPORT
15	101276M2	1	SPRING
16	2629511W93	1	CHANNEL ASSEMBLY
	703249	9	CAPSCREW, 3/8-16 X 1 GR5
	Y704734	9	NUT, HEX FLNG TOP LOCK, 3/8-16
	70917378	7	WASHER, 3/8 WIDE
17	-----	1	SUPPORT, UPPER GUIDE (9690 ONLY)
18	108275W91	1	HYDRAULIC CYLINDER
	71389522	AR	SEAL KIT
19	108575W1	1	PIN, 5/8 X 2.28
20	377690X1	2	RING, RETAINING
21	Y704742	1	NUT, HEX FLNG TOP LOCK, 1/2-13
22	108601W1	1	SPACER
23	70923240	1	CAPSCREW, 1/2-13 X 2-3/4 GR5
24	108593W91	1	ANCHOR BRACKET
	703249	3	CAPSCREW, 3/8-16 X 1 GR5
	Y704734	3	NUT, HEX FLNG TOP LOCK, 3/8-16
25	108599W1	1	PLATE, OUTER IDLER SUPPORT
	703249	3	CAPSCREW, 3/8-16 X 1 GR5
	Y704734	3	NUT, HEX FLNG TOP LOCK, 3/8-16
26	2545270W1	1	IDLER PULLEY
27	365098X1	2	SPACER
28	70926165	1	CAPSCREW, 5/8-11 X 4-1/2 GR5
29	108600W1	1	STRAP
30	2635460W1	1	GUIDE, BELT
	70921965	3	CAPSCREW, 3/8-16 X 3/4
	70916965	3	LOCKWASHER, 3/8
	70916950	3	HEX NUT, 3/8-16
	70917378	3	WASHER, 3/8, WIDE
31	101575M1	1	PLATE
	70921210	1	CAPSCREW, HEX HEAD, 3/8-16 X 1
	70917378	1	WASHER, 3/8, WIDE
	70916965	1	LOCKWASHER, 3/8
	70916950	1	HEX NUT, 3/8-16

CONTINUED

MC00279
PR: 288

UNLOADER DRIVE



9790 COMBINE
GRAIN BIN & ELEVATOR

495

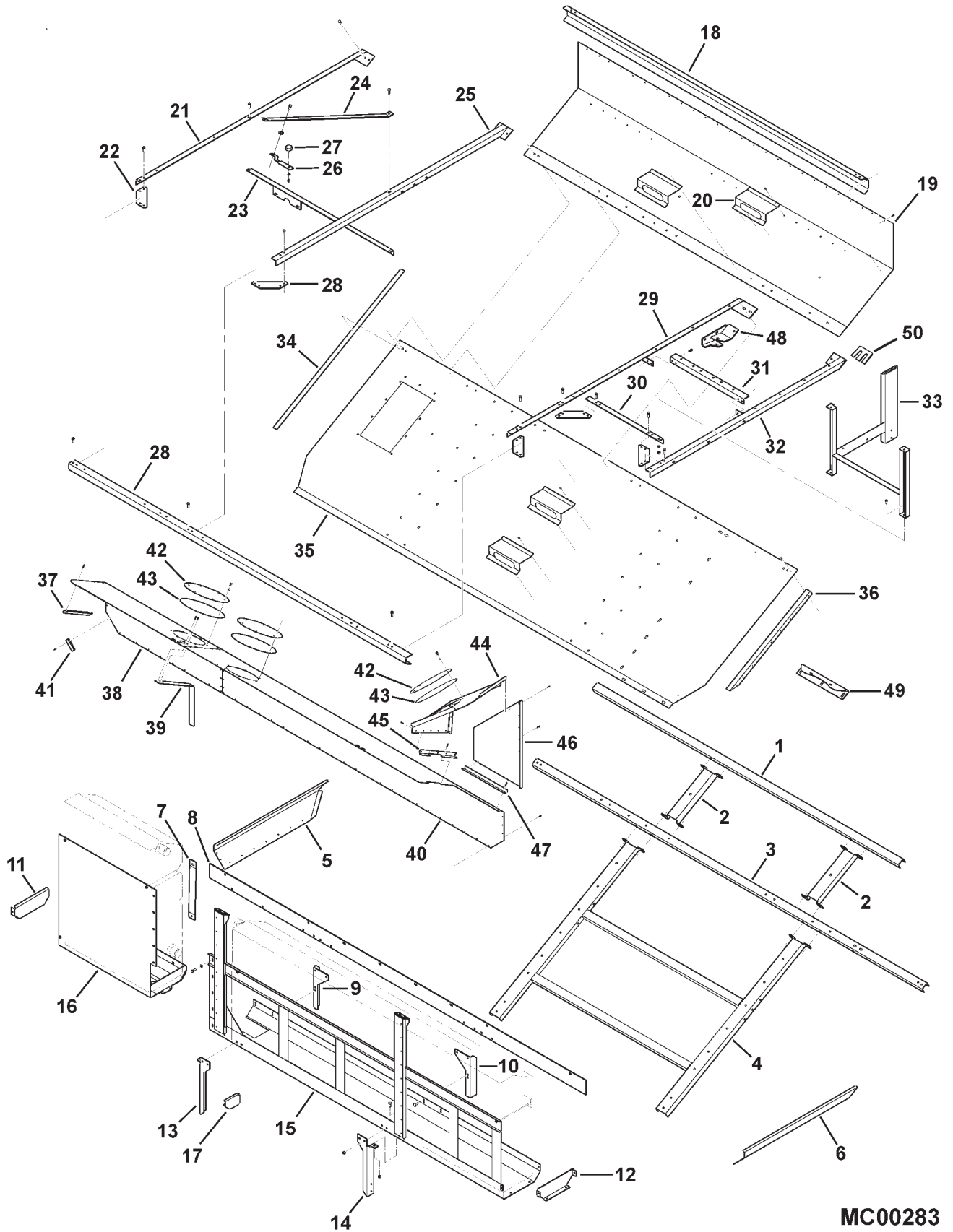
UNLOADER DRIVE

ITEM	NUMBER	QTY	DESCRIPTION
32	71390191	1	GUIDE, BELT
	70921332	2	CAPSCREW, 5/16-18 X 3/4
	70917642	2	WASHER, 5/16, WIDE
	Y704726	2	NUT, HEX FLNG TOP LOCK, 5/16-18
	70923504	1	CAPSCREW, 3/8-16 X 4-1/2 GR5
	70917378	AR	WASHER, 3/8 WIDE
	Y704734	1	NUT, HEX FLNG TOP LOCK, 3/8-16
33	-----	1	SUPPORT, LOWER GUIDE (9690 ONLY)
34	2635230W1	1	GUIDE BRKT, TOP, BELT(PRIOR S/N HN36101)
	71400669	1	GUIDE PLATE, BELT (EFF. S/N HN36101)
	703249	2	CAPSCREW, 3/8-16 X 1 GR5
	Y704734	2	NUT, HEX FLNG TOP LOCK, 3/8-16

MC00279
PR: 288

9790 COMBINE
GRAIN BIN & ELEVATOR

GRAIN BIN
LOWER STRUCTURE



**9790 COMBINE
GRAIN BIN & ELEVATOR**

497

**GRAIN BIN
LOWER STRUCTURE**

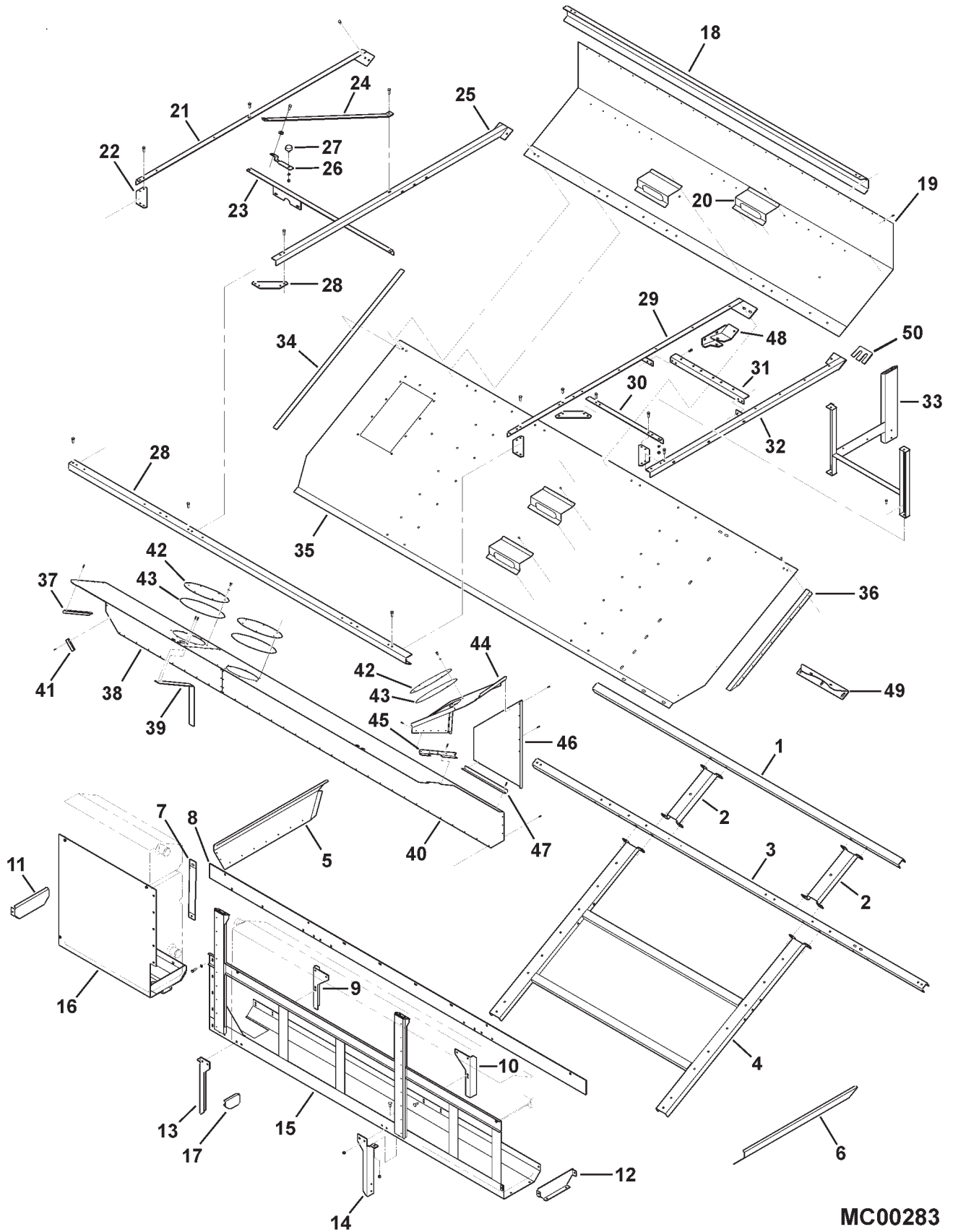
ITEM	NUMBER	QTY	DESCRIPTION
1	71391143	1	CHANNEL, FLOOR UPPER
2	71407327P	2	EXTENSION, UPPER FLOOR CHANNEL
	703249	8	CAPSCREW, 3/8-16 X 1.0
	70917378	8	WASHER, FLAT 3/8
	705038	8	LOCKWASHER, 3/8
	70916950	8	HEXNUT, 3/8-16
3	71403918	1	CHANNEL, BIN FLOOR
4	71389710	1	CHANNEL WLDMT, FLOOR
	703249	6	CAPSCREW, 3/8-16 X 1.0
	70917378	6	WASHER, FLAT 3/8
	705038	6	LOCKWASHER, 3/8
	70916950	6	HEXNUT, 3/8-16
5	71391951	1	SHEET, RH, GRAIN BIN
	700717635	7	RIVET, 3/16 X 13/32
6	71391850	1	SHEET, LH, GRAIN BIN
	700717635	7	RIVET, 3/16 X 13/32
7	71393414	2	STRAP, TANK HANGER (RH)
	70922786	4	BOLT, RHSN 3/8-16 X 1.0
	70917378	4	WASHER, FLAT 3/8
	705038	4	LOCKWASHER, 3/8
	70916950	4	HEXNUT, 3/8-16
8	71393413	1	PLATE, SUPPORT
	70922786	10	BOLT, RHSN 3/8-16 X 1.0
	70917378	10	WASHER, FLAT 3/8
	705038	10	LOCKWASHER, 3/8
	70916950	10	HEXNUT, 3/8-16
9	71391939	1	SUPPORT, TANK, RH REAR
	7700461	1	BOLT, RHSN 5/16-18 X 3/4
	Y704726	1	LOCKNUT, HEX FLANGE 5/16-18
10	71391938	1	SUPPORT, TANK, LH REAR
	7700461	1	BOLT, RHSN 5/16-18 X 3/4
	Y704726	1	LOCKNUT, HEX FLANGE 5/16-18
11	71391946	1	END PLATE, RH FUEL TANK
	Y702951	4	SCREW, SELF-TAP 3/8-16 X 3/4
12	71391947	1	END PLATE, LH FUEL TANK
	Y702951	4	SCREW, SELF-TAP 3/8-16 X 3/4
13	71393918	1	POST, TANK, RH FRONT
	7700461	1	BOLT, RHSN 5/16-18 X 3/4
	Y704726	1	LOCKNUT, HEX FLANGE 5/16-18
	70922784	2	BOLT, RHSN 3/8-16 X 3/4
	Y704734	2	LOCKNUT, HEX FLANGE 3/8-16
14	71393917	1	POST, TANK, LH FRONT
	7700461	1	BOLT, RHSN 5/16-18 X 3/4
	Y704726	1	LOCKNUT, HEX FLANGE 5/16-18
	70922784	2	BOLT, RHSN 3/8-16 X 3/4
	Y704734	2	LOCKNUT, HEX FLANGE 3/8-16
15	71406761B	1	SUPPORT WLDMT, LH FUEL TANK
16	71391935	1	SUPPORT WLDMT, RH FUEL TANK
	703249	5	CAPSCREW, 3/8-16 X 1.0
	705038	5	LOCKWASHER, 3/8
	70917378	5	WASHER, FLAT 3/8

CONTINUED

MCO0283
PR: 290

9790 COMBINE
GRAIN BIN & ELEVATOR

GRAIN BIN
LOWER STRUCTURE



**9790 COMBINE
GRAIN BIN & ELEVATOR**

499

**GRAIN BIN
LOWER STRUCTURE**

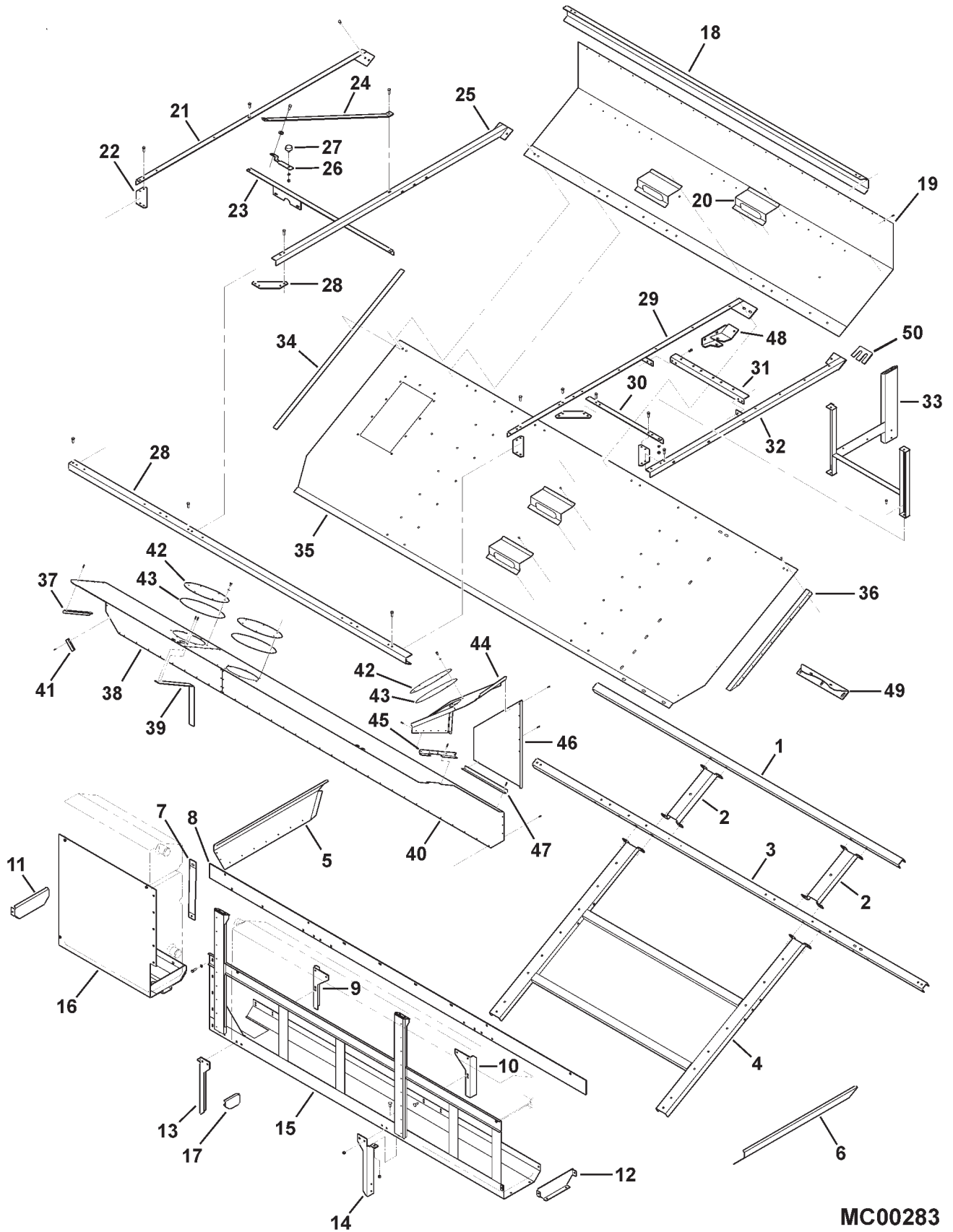
ITEM	NUMBER	QTY	DESCRIPTION
17	71391948	1	END BRKT, LH TANK INSIDE
	Y702951	2	SCREW, SELF-TAP 3/8-16 X 3/4
18	71392620	1	CHANNEL, UPPER FRAME, REAR
	70925160	26	RIVET, 3/16 X .527
19	71391849	1	PANEL, UPPER REAR FLOOR
	700717635	AR	RIVET, 3/16 X .402
	703249	2	CAPSCREW, 3/8-16 X 1.0
	705038	2	LOCKWASHER, 3/8
	70916950	2	HEXNUT, 3/8-16
	70923114	1	CAPSCREW, 1/2-13 X 1 GR5 (EFF. S/N HP36101)
20	71394681	4	STEP
	70925160	12	RIVET, 3/16 X .527
	700717635	12	RIVET, 3/16 X .402
	71394321	AR	TAPE, ANTI-SKID
21	71392657	1	ANGLE, MID-FRAME
	703249	AR	CAPSCREW, 3/8-16 X 1.0
	70917378	AR	WASHER, FLAT 3/8
	705038	AR	LOCKWASHER, 3/8
	70916950	AR	HEXNUT, 3/8-16
22	71392616	5	GUSSET, FRAME
23	71391147	1	ANGLE, TOP HEAD SUPPORT
24	71394322	1	STRAP
25	71392656	1	ANGLE, CENTER
	703249	AR	CAPSCREW, 3/8-16 X 1.0
	70917378	AR	WASHER, FLAT 3/8
	705038	AR	LOCKWASHER, 3/8
	70916950	AR	HEXNUT, 3/8-16
26	71394323	1	STRAP, WINDOW HOOK
	70921965	1	CAPSCREW, 3/8-16 X 3/4
	71391654	1	WASHER, NYLON
	Y704734	1	LOCKNUT, FLANGE 3/8-16
27	70547934	1	STOP, RUBBER
	705038	1	LOCKWASHER, 3/8
	70916950	1	HEXNUT, 3/8-16
28	71391956	1	CHANNEL, MID-FRAME FRONT
	703249	20	CAPSCREW, 3/8-16 X 1.0
	705038	20	LOCKWASHER, 3/8
	70916950	20	HEXNUT, 3/8-16
29	71403922	1	ANGLE WLDMT, LEFT INNER, MID-FRAME
	70923114	1	CAPSCREW, 1/2-13 X 1 GR5
	Y704742	1	NUT, HEX FLNG TOP LOCK, 1/2-13
30	71392611	1	ANGLE, FRONT SUPPORT
	703249	AR	CAPSCREW, 3/8-16 X 1.0
	703603	AR	CAPSCREW, 3/8-16 X 1-1/2
	70917378	AR	WASHER, FLAT 3/8
	705038	AR	LOCKWASHER, 3/8
	70916950	AR	HEXNUT, 3/8-16

CONTINUED

MC00283
PR: 290

9790 COMBINE
GRAIN BIN & ELEVATOR

GRAIN BIN
LOWER STRUCTURE



**9790 COMBINE
GRAIN BIN & ELEVATOR**

501

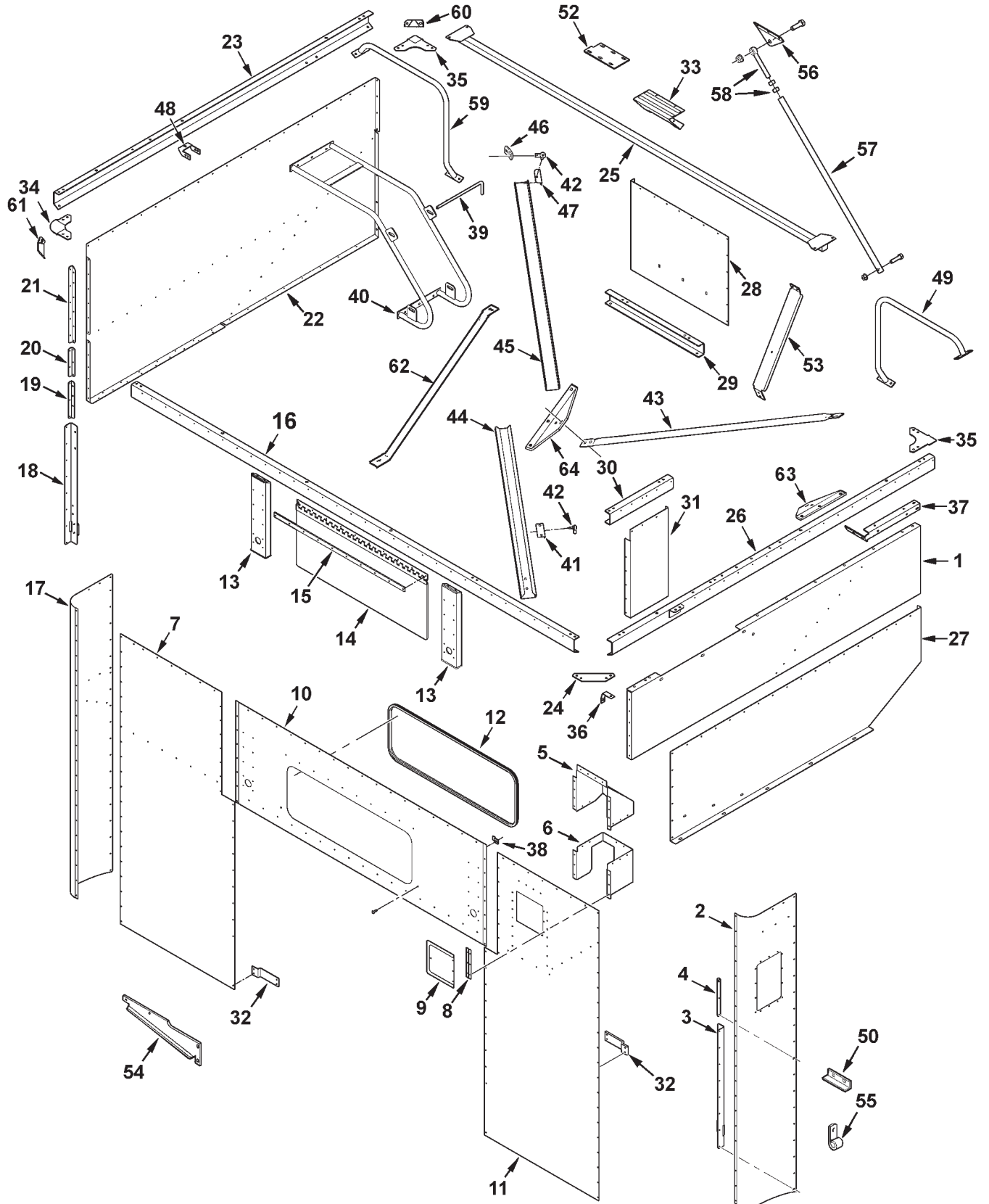
**GRAIN BIN
LOWER STRUCTURE**

ITEM	NUMBER	QTY	DESCRIPTION
31	71392610	1	ANGLE, REAR SUPPORT
	703249	4	CAPSCREW, 3/8-16 X 1.0
	705038	4	LOCKWASHER, 3/8
	70916950	4	HEXNUT, 3/8-16
32	71392654	1	ANGLE, MID-FRAME OUTER
33	71391957	1	SUPPORT WLDMT, CORNER (LH)
	703249	3	CAPSCREW, 3/8-16 X 1.0
	705038	3	LOCKWASHER, 3/8
	70916950	3	HEXNUT, 3/8-16
34	71390157	1	ANGLE, UPPER MOUNTING (RH)
35	71391848	1	PANEL, FLOOR LOWER
36	71390152	1	ANGLE, MID-PANEL MOUNTING (LH)
	70924837	9	RIVET, 3/16 X .277
37	71391954	1	ANGLE, SIDE, GRAIN BIN
	700717635	4	RIVET, 3/16 X .402
38	71391968	1	COVER, F/TANK (RH)
39	71392605	1	SUPPORT STRAP, FUEL TANK COVER
	700717635	AR	RIVET, 3/16 X .402
40	71391967	1	COVER, LH F/TANK
	70925160	28	RIVET, 3/16 X .527
41	71391146	2	ANGLE, SHEET TIE
	700717635	8	RIVET, 3/16 X .402
42	71376312	3	COVER, ACCESS
	7703457	18	CAPSCREW, 1/4-20 X 3/4
	705012	18	LOCKWASHER, 1/4
	70928705	18	NUT, RETAINER 1/4-20 TYPE J
43	71323575	3	SEAL, COVER
44	71391970	1	TOP COVER, FILLER NECK
45	71391972	1	ANGLE, TOP FILLER NECK
46	71391969	1	COVER, SIDE FILLER NECK
	700717635	13	RIVET, 3/16 X .402
47	71391971	1	ANGLE, SIDE FILLER NECK
	700717635	9	RIVET, 3/16 X .402
48	71403919	1	BRACKET WLDMT, UNLDR CYL
	70921210	1	CAPSCREW, 3/8-16 X 1 GR5
	70920415	1	CAPSCREW, 3/8-16 X 1-1/4 GR5
	70917378	2	WASHER, 3/8 WIDE
	Y704734	2	NUT, HEX FLNG TOP LOCK, 3/8-16
	701235	1	CAPSCREW, 1/2-13 X 1-1/2 GR5
	Y704742	1	NUT, HEX FLNG TOP LOCK, 1/2-13
49	2601260W1	1	BRKT,LOWER TUBE SUPPT(PRIOR S/N HN36101)
	71399675	1	BRKT,LOWER TUBE SUPPT (EFF. S/N HN36101)
	70923220	3	BOLT, RD HD SQ NK, 3/8-16 X 1-1/4
	70917378	3	WASHER, 3/8 WIDE
	Y704734	3	NUT, HEX FLNG TOP LK, 3/8-16
50	71401461	AR	SHIM (QTY 2 AVE.)

MC00283
PR: 290

9790 COMBINE
GRAIN BIN & ELEVATOR

GRAIN BIN
UPPER STRUCTURE & MOUNTS



**9790 COMBINE
GRAIN BIN & ELEVATOR**

503

**GRAIN BIN
UPPER STRUCTURE & MOUNTS**

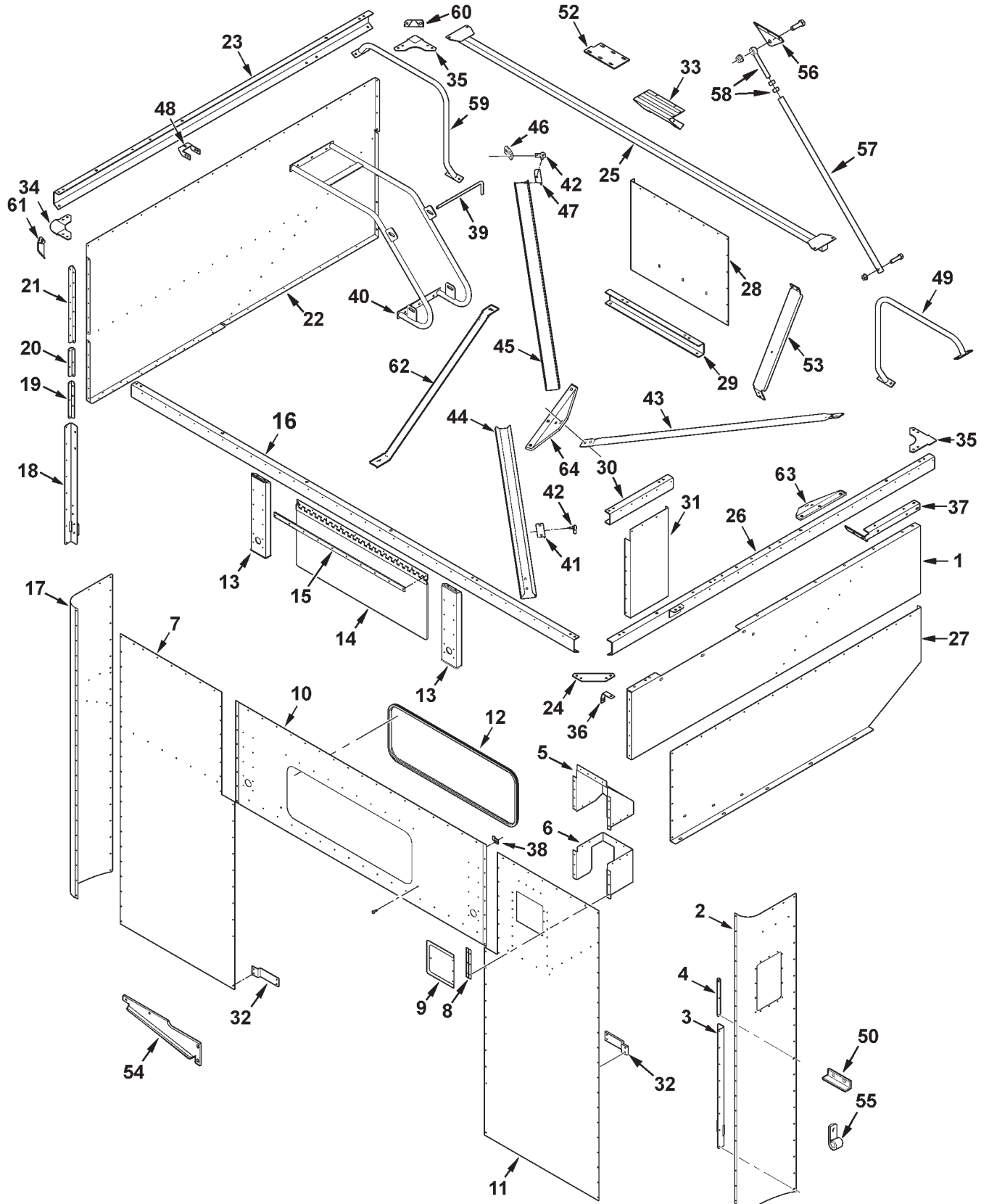
ITEM	NUMBER	QTY	DESCRIPTION
1	71391960	1	PANEL, MID (LH)
	70924837	AR	RIVET, 3/16 X .277
	703249	5	CAPSCREW, 3/8-16 X 1.0
	70917378	2	WASHER, 3/8 WIDE
	705038	4	LOCKWASHER, 3/8
	70916950	4	NUT, 3/8-16 REG
2	71392664	1	PANEL, CORNER (LH)
	700717635	AR	RIVET, 3/16 X .402
	70924837	AR	RIVET, 3/16 X .277
	706176	4	SCREW, TRUSS HD MACH, 5/16-18 X 3/4
	70917642	4	WASHER, 5/16 WIDE
	Y705020	4	LOCKWASHER, 5/16 REG
	70917372	4	NUT, 5/16-18 REG
3	71395996	1	ANGLE, FLANGE LOWER (LH)
	70922786	4	BOLT, RHSN 3/8-16 X 1.0
	70917378	4	WASHER, 3/8 WIDE
	705038	4	LOCKWASHER, 3/8
	70916950	4	NUT, 3/8-16 REG
4	71391150	1	ANGLE, FLANGE UPPER (LH)
	700717635	AR	RIVET, 3/16 X .402
5	71376324	1	SHIELD, BIN SAMPLE, UPPER
	700717635	AR	RIVET, 3/16 X .402
6	71391966	1	SHIELD, BIN SAMPLE, LOWER
	700717635	AR	RIVET, 3/16 X .402
7	71392602	1	PANEL, FRONT (RH)
	700717635	AR	RIVET, 3/16 X .402
8	71373513	1	HINGE, DOOR
9	71376349R	1	DOOR
	700717635	3	RIVET, 3/16 X .402
	71190960	1	KNOB, DOOR
10	71391953	1	PANEL, GRAIN BIN FRONT
11	71392601	1	PANEL, FRONT (LH)
	700717635	AR	RIVET, 3/16 X .402
	70924837	AR	RIVET, 3/16 X .277
12	71393257	1	SEAL, WINDOW TRIM
13	71390148	2	SUPPORT, FRT BIN VERTICAL
	703249	8	CAPSCREW, 3/8-16 X 1.0
	705038	8	LOCKWASHER, 3/8
	70916950	8	HEXNUT, 3/8-16
14	71393411	1	GLASS ASY., GRAIN BIN
	70924283	10	RIVET
	71393410	1	PIN, HINGE
15	71390764	1	SPACER, HINGE
16	71392618	1	CHANNEL, UPPER FRAME FRONT
	703249	29	CAPSCREW, 3/8-16 X 1.0
	705038	29	LOCKWASHER, 3/8
	70916950	29	HEXNUT, 3/8-16
17	71392663	1	PANEL, CORNER (RH)
	700717635	AR	RIVET, 3/16 X .402
18	71395997	1	ANGLE, FLANGE LOWER (RH)
19	71393253	1	ANGLE, FLANGE MID-LOWER (RH)
	700717635	3	RIVET, 3/16 X .402
20	71393252	1	ANGLE, FLANGE MID-UPPER (RH)

CONTINUED

MCO0288
PR: 296

9790 COMBINE
GRAIN BIN & ELEVATOR

GRAIN BIN
UPPER STRUCTURE & MOUNTS



**9790 COMBINE
GRAIN BIN & ELEVATOR**

505

**GRAIN BIN
UPPER STRUCTURE & MOUNTS**

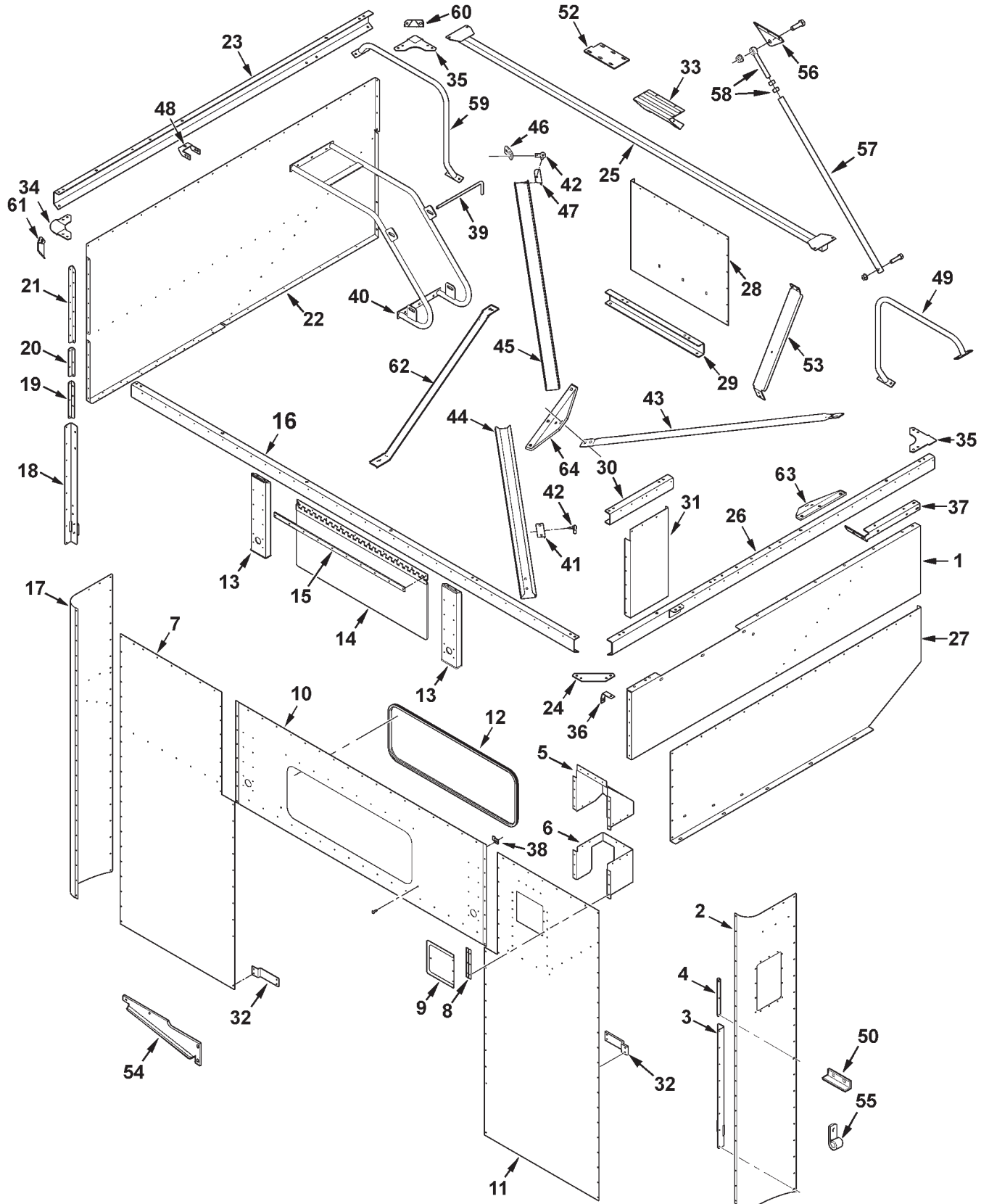
ITEM	NUMBER	QTY	DESCRIPTION
21	71393251	1	ANGLE, FLANGE UPPER (RH)
	700717635	6	RIVET, 3/16 X .402
22	71391964	1	PANEL, UPPER GRAIN BIN (RH)
	700717635	AR	RIVET, 3/16 X .402
	70924837	AR	RIVET, 3/16 X .277
23	71392624	1	CHANNEL, UPPER FRAME OUTER (RH)
24	71392616	4	GUSSET, FRAME
25	71396664	1	BRACE
26	71392658	1	CHANNEL, UPPER FRAME INNER (LH)
27	71391961	1	PANEL, UPPER REAR (LH)
	700717635	AR	RIVET, 3/16 X .402
	70924837	AR	RIVET, 3/16 X .277
	70921965	5	CAPSCREW, 3/8-16 X 3/4
	70917378	5	WASHER, 3/8 WIDE
	705038	5	LOCKWASHER, 3/8
	70916950	5	HEXNUT, 3/8-16
28	71391962	1	PANEL, DIVISION (LH)
	700717635	AR	RIVET, 3/16 X .402
29	71392621	1	CHANNEL, UPPER FRAME SUPPORT
	703249	2	CAPSCREW, 3/8-16 X 1.0
	705038	2	LOCKWASHER, 3/8
	70916950	2	HEXNUT, 3/8-16
30	71392622	1	CHANNEL, UPPER FRAME OUTER (LH)
31	71391963	1	PANEL, FRONT UPPER (LH)
	700717635	AR	RIVET, 3/16 X .402
	70924837	AR	RIVET, 3/16 X .277
	703249	1	CAPSCREW, 3/8-16 X 1.0
	705038	1	LOCKWASHER, 3/8
	70916950	1	HEXNUT, 3/8-16
32	71394325	2	SUPPORT, FRONT PANEL (9690 ONLY)
	700129058	2	SPACER (9790 ONLY)
	7703457	AR	CAPSCREW, 1/4-20 X 3/4
	1703354	AR	NUT, HEX FLANGE TOP LOCK, 1/4-20
33	71394688	1	STEP ASY., GRAIN BIN
	7703457	4	CAPSCREW, 1/4-20 X 3/4
	1703354	4	HEXNUT, 1/4-20
	71394321	AR	TAPE, ANTI-SKID
34	71394420	1	BRACE, CORNER ROUND
35	71394419	2	BRACE, CORNER SQUARE
36	71395992R	1	BRACKET, FUEL TANK VENT
37	2633681W2	1	SUPPORT
	70921332	5	CAPSCREW, 5/16-18 X 3/4
	70917642	2	WASHER, 5/16 WIDE
	Y705020	5	LOCKWASHER, 5/16
	70917372	5	HEXNUT, 5/16-18
38	108610W1	2	CLIP, GLASS RETAINER
	70931449	2	WASHER, 13/32 ID X 1-1/8 OD 7GA
	70937101	2	SPEEDNUT, THRD GRIP 1/4
	7770167	2	BOLT, RD HD SQ NK 1/4-20 X 1.0
	705707	2	WASHER, FLAT 1/4
	705012	2	LOCKWASHER, 1/4
	70916952	2	NUT, WING 1/4-20

CONTINUED

MC00288
PR: 296

9790 COMBINE
GRAIN BIN & ELEVATOR

GRAIN BIN
UPPER STRUCTURE & MOUNTS



**9790 COMBINE
GRAIN BIN & ELEVATOR**

507

**GRAIN BIN
UPPER STRUCTURE & MOUNTS**

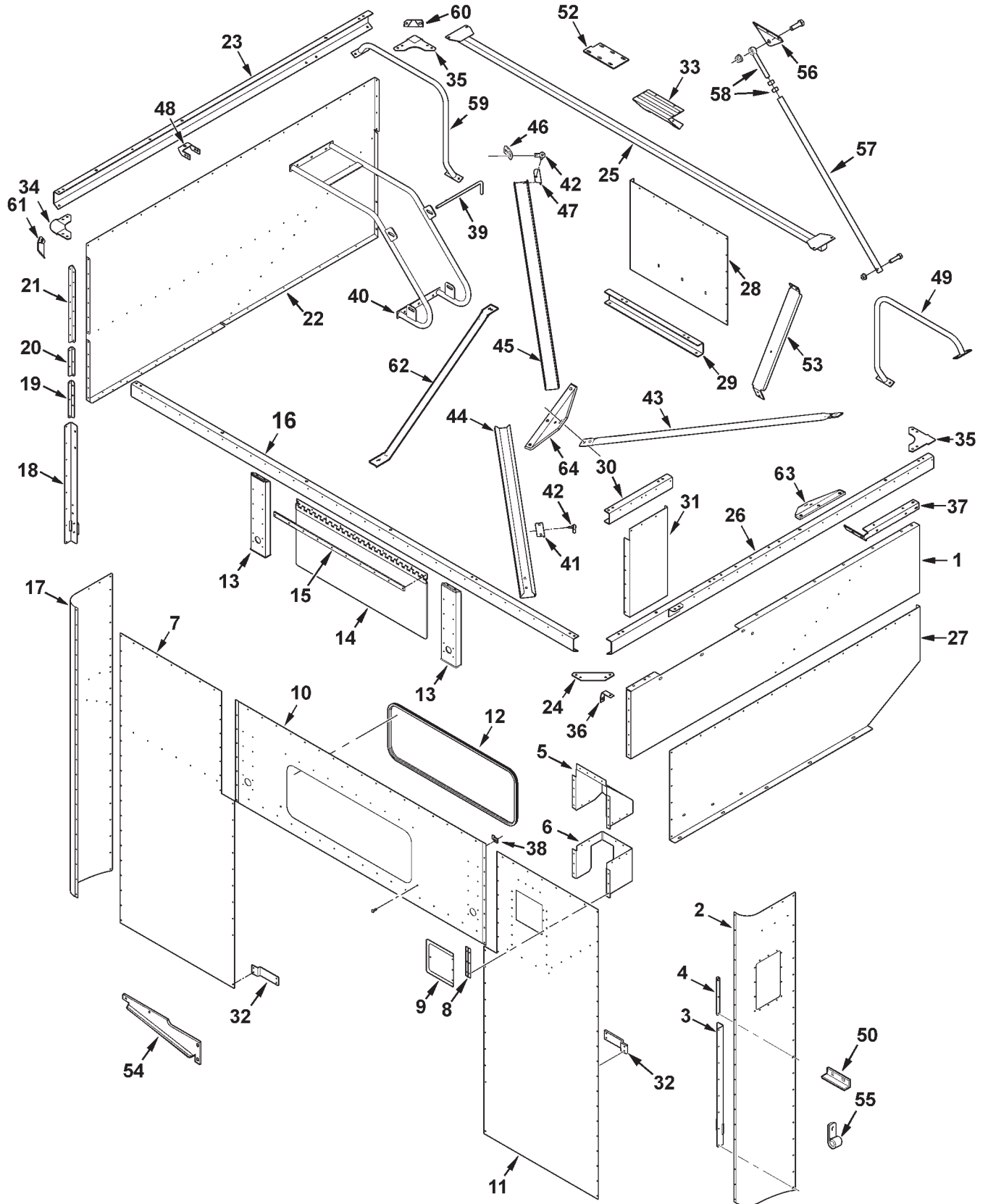
ITEM	NUMBER	QTY	DESCRIPTION
39	71390384	1	ROD, BIN FILL AUGER
	70918431	1	WASHER, FLAT 1/2
	70936348	1	PIN, RETAINER, .125 X 2.56 LG
40	71393901	1	RETAINER, AUGER
	703249	6	CAPSCREW, 3/8-16 X 1.0
	70917378	6	WASHER, 3/8 WIDE
	705038	6	LOCKWASHER, 3/8
	70916950	6	NUT, 3/8-16 REG
41	71393907	1	SUPPORT ANGLE, LOWER CHANNEL
42	71326336	2	JOINT, BALL
43	71408826	1	CROSS BRACE (YR 2005 FIELD CAMPAIGN)
	70921210	4	CAPSCREW, 3/8-16 X 1 GR5
	70917378	4	WASHER, 3/8 WIDE
	Y704734	4	NUT, HEX FLANGE TOP LOCK, 3/8-16
44	71393425P	1	TRAY, LOWER SAMPLE
45	71393424B	1	TRAY, UPPER SAMPLE
46	71393908	1	ANCHOR, SAMPLE TRAY
47	71393909	1	SUPPORT ANGLE, UPPER
48	102903M91	12	HINGE ASY.
	7771769	12	CAPSCREW, 1/2-13 X 3/4
49	71393873	1	RAIL WLDMT, LEFT BIN EXT'N SUPPORT
	703249	4	CAPSCREW, 3/8-16 X 1.0
	705038	4	LOCKWASHER, 3/8
	70916950	4	NUT, 3/8-16 REG
50	71397111	1	ANGLE
52	71394920	1	PLATE, ENG. COVER
	7883408	3	SCREW, HX FLANGE, 3/8-16 X 1-1/4 GR8
	704247	3	LOCKNUT, HEX SERR FLANGE, 3/8-16
53	71393913	2	SUPPORT, REAR GRAIN BIN
	703249	8	CAPSCREW, 3/8-16 X 1.0
	Y704734	8	LOCKNUT, HX FLANGE 3/8-16
54	71405934B	1	PLATE, RT TANK SUPPORT
	703249	4	CAPSCREW, 3/8-16 X 1.0
	Y704734	4	NUT, HEX FLANGE TOP LOCK, 3/8-16
55	70936314	1	J-CLIP, 1/2 DIA X .406 MTG. HOLE
	70937685	1	J-CLIP, 3/8 DIA X .406 MTG HOLE
56	71397122	1	ANCHOR
	703249	3	CAPSCREW, 3/8-16 X 1.0
	Y704734	3	NUT, HEX FLANGE TOP LOCK, 3/8-16
57	71397124	1	BRACE
	7701659	1	CAPSCREW, 5/8-11 X 2-1/2
	70918432	3	WASHER, 5/8, WIDE (QTY 1 PRIOR S/N HR36101)
	700703922	1	NUT, HEX FLANGE TOP LOCK, 5/8-11
58	71343344	1	EYEBOLT
	7702145	1	CAPSCREW, 3/4-10 X 2-1/2
	70918433	3	WASHER, 3/4, WIDE (EFF. S/N HR87101)
	700703923	1	NUT, HEX FLANGE TOP LOCK, 3/4-10
	70913160	2	NUT, 3/4-10 REG

CONTINUED

MC00288
PR: 296

9790 COMBINE
GRAIN BIN & ELEVATOR

GRAIN BIN
UPPER STRUCTURE & MOUNTS



9790 COMBINE
GRAIN BIN & ELEVATOR

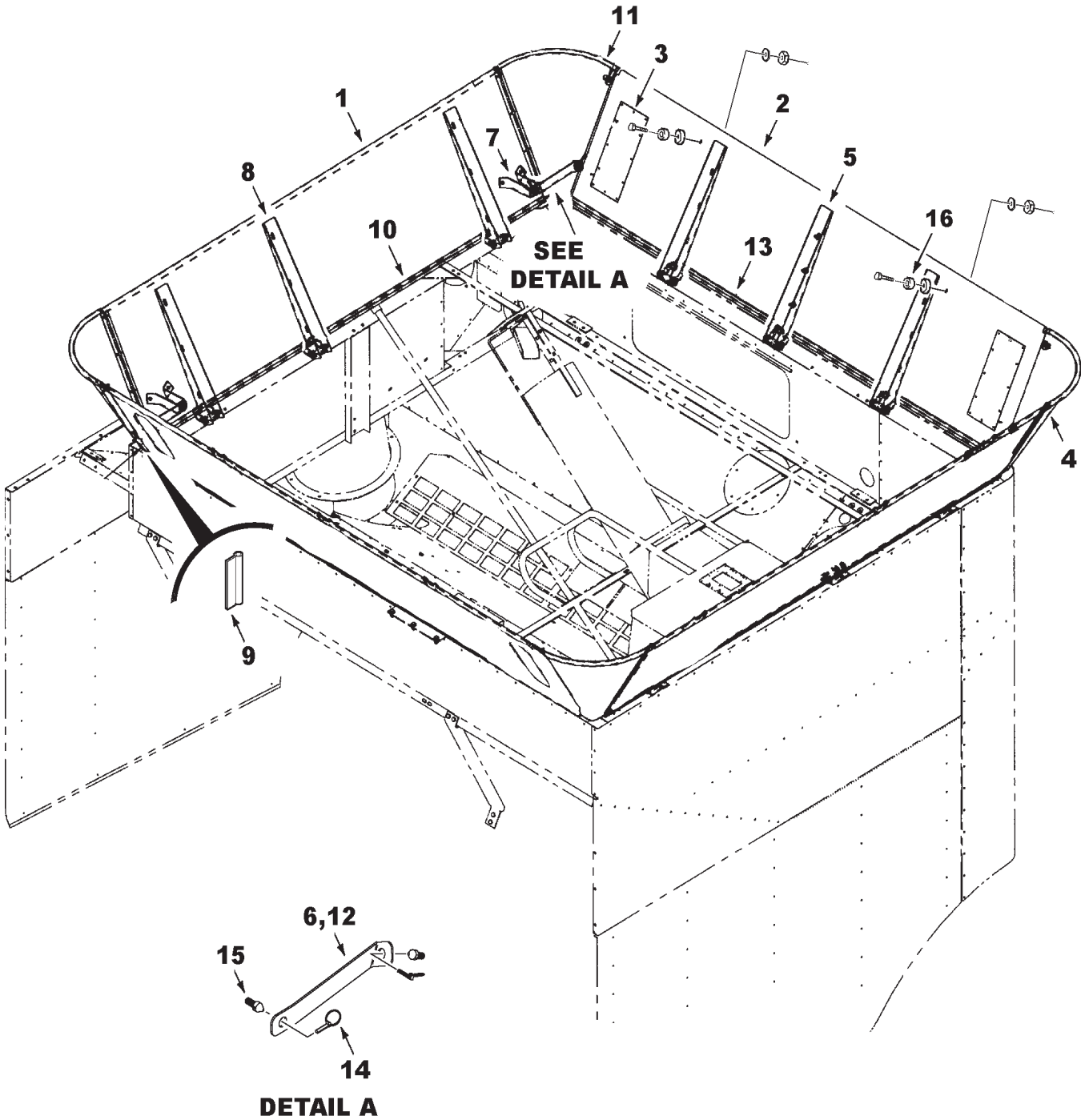
509

GRAIN BIN
UPPER STRUCTURE & MOUNTS

ITEM	NUMBER	QTY	DESCRIPTION
59	71393875	1	RAIL WLDMT, RT BIN EXT'N SUPPORT
	703249	4	CAPSCREW, 3/8-16 X 1.0
	705038	4	LOCKWASHER, 3/8
	70916950	4	NUT, 3/8-16 REG
60	71399270P	3	GUSSET, CORNER (EFF. S/N HN36101)
61	71399271P	1	GUSSET, CORNER (EFF. S/N HN36101)
	703249	8	CAPSCREW, 3/8-16 X 1.0
	Y704734	8	NUT, HEX FLANGE TOP LOCK, 3/8-16
	70917378	4	WASHER, 3/8 WIDE
62	71403618B	1	BRACE, UNLOADER (EFF. S/N HN36101)
	70920415	2	CAPSCREW, 3/8-16 X 1-1/4
	705038	2	LOCKWASHER, 3/8
	70916950	2	NUT, 3/8-16 REG
63	71408827	1	BRACKET, X-BRACE, UPPER (YR 2005 FIELD CAMPAIGN)
	70920415	3	CAPSCREW, 3/8-16 X 1-1/4 GR5
	70917378	3	WASHER, 3/8 WIDE
	Y704734	3	NUT, HEX FLANGE TOP LOCK, 3/8-16
64	71408828	1	BRACKET, X-BRACE, LOWER (YR 2005 FIELD CAMPAIGN)
	70928635	3	SCR,HEX WSHR HD TAPPING, 3/8-16 X 1-1/4

MC00288
PR: 296

BIN EXTENSIONS



**9790 COMBINE
GRAIN BIN & ELEVATOR**

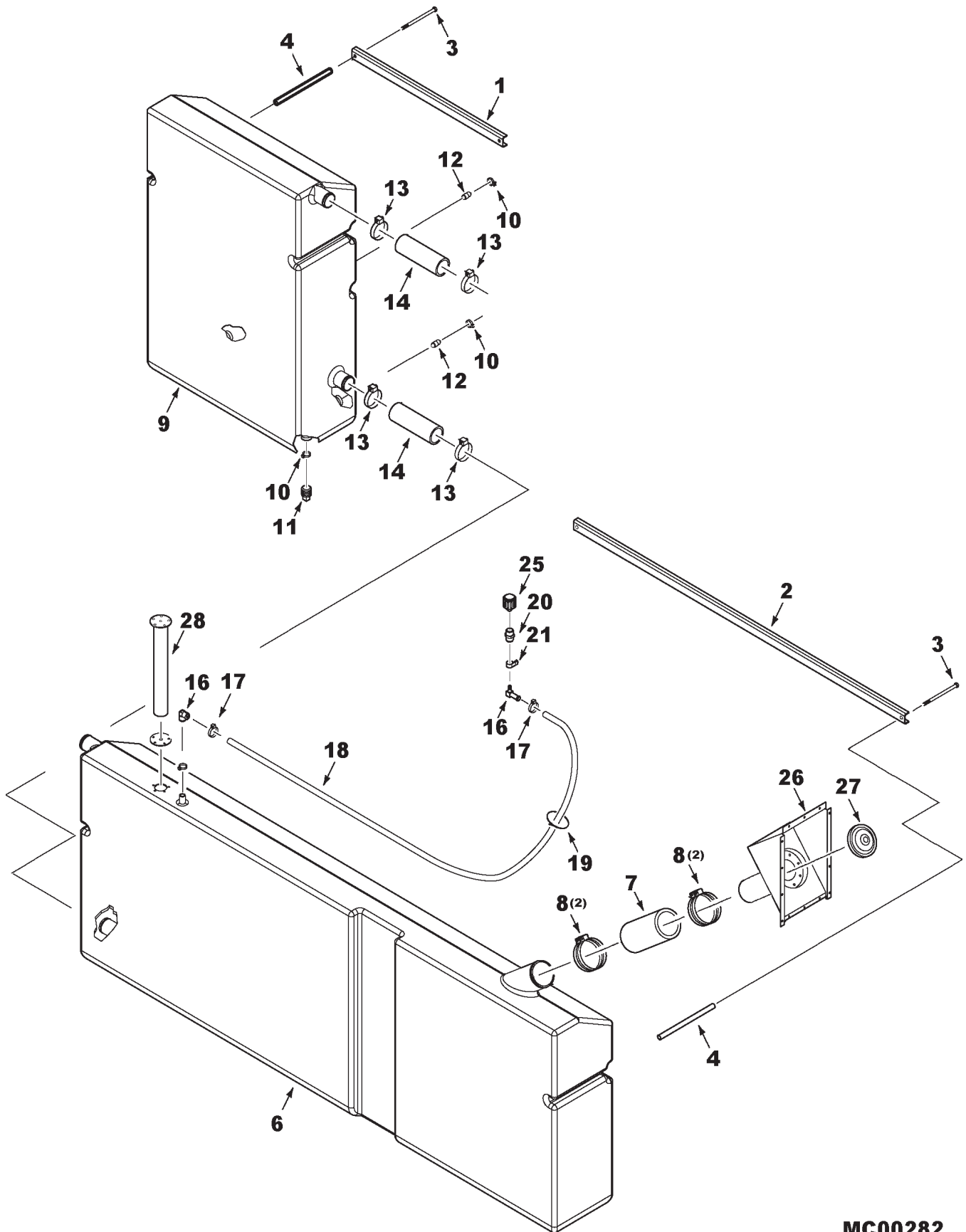
511

BIN EXTENSIONS

ITEM	NUMBER	QTY	DESCRIPTION
1	71396404R	2	PANEL ASY., SIDE (W/HINGES)
	71393870	4	HINGE
	700717635	16	RIVET, 3/16 DIA X .25
2	71396403	2	PANEL ASY., END (INCL. ITEM 3)
	71376350	4	PANEL, WINDOW
4	70924837	48	RIVET, 3/16 X 9/32
	71393867	2	CORNER WLDMT, RF AND LR
5	70937650	8	RIVET, 3/16 X .402, RED HEAD
	71393868	6	CHANNEL, HINGE, FRONT & REAR
6	7772767	6	CAPSCREW, 3/8-16 X 3-1/2
	700129071	6	SPACER, .531 OD X .875 ID
	Y704734	6	LOCKNUT, HEX FLANGE, 3/8-16
	112845W1	18	SCREW, TRUSS HD, 5/16-18 X 1.0, RED
	70917378	18	WASHER, FLAT 3/8
	70917356	18	LOCKWASHER, 5/16
	70917372	18	HEXNUT, 5/16-18
	71395386P	2	STRAP, CORNER SUPPORT, RF & LR
	71393871R	4	BRACKET, HINGE MOUNTING
	112845W1	8	SCREW, TRUSS 5/16-18 X 1.0, RED HEAD
7	Y705020	8	LOCKWASHER, 5/16 REG
	70917372	8	NUT, 5/16-18 REG
8	71393869	6	CHANNEL, HINGE, SIDES
	7772767	6	CAPSCREW, 3/8-16 X 3-1/2
	700129071	6	SPACER, .531 OD X .875 ID
	Y704734	6	LOCKNUT, HEX FLANGE, 3/8-16
	112845W1	18	SCREW, TRUSS HD, 5/16-18 X 1.0, RED
	70917378	18	WASHER, FLAT 3/8
	70917356	18	LOCKWASHER, 5/16
9	70917372	18	HEXNUT, 5/16-18
	71395390	4	SEAL, CORNER
10	71395388	2	SEAL, SIDE
11	71394418	2	CORNER WLDMT, LF & RR
	70937650	8	RIVET, 3/16 X .402, RED HEAD
12	71395387P	2	STRAP, CORNER SUPPORT, LF & RR
13	71395389	2	SEAL, FRONT & REAR PANEL
14	863415	12	PIN, KLIK, W/ CHAIN
	705632	8	WASHER, FLAT 5/8
15	1656110W2	12	PIN, SHIELD LOCK
	70916950	12	NUT, 3/8-16 REG
	705038	12	LOCKWASHER, 3/8
	70917378	12	WASHER, FLAT 3/8 WIDE
16	72509675	4	BUMPER, RUBBER
	7703473	4	CAPSCREW, 1/4-20 X 1-1/4
	700134393	4	SPACER, .47 TH
	705012	4	LOCKWASHER, 1/4
	704007	4	NUT, 1/4-20 REG

MC00290
PR: 302

FUEL TANKS



**9790 COMBINE
GRAIN BIN & ELEVATOR**

513

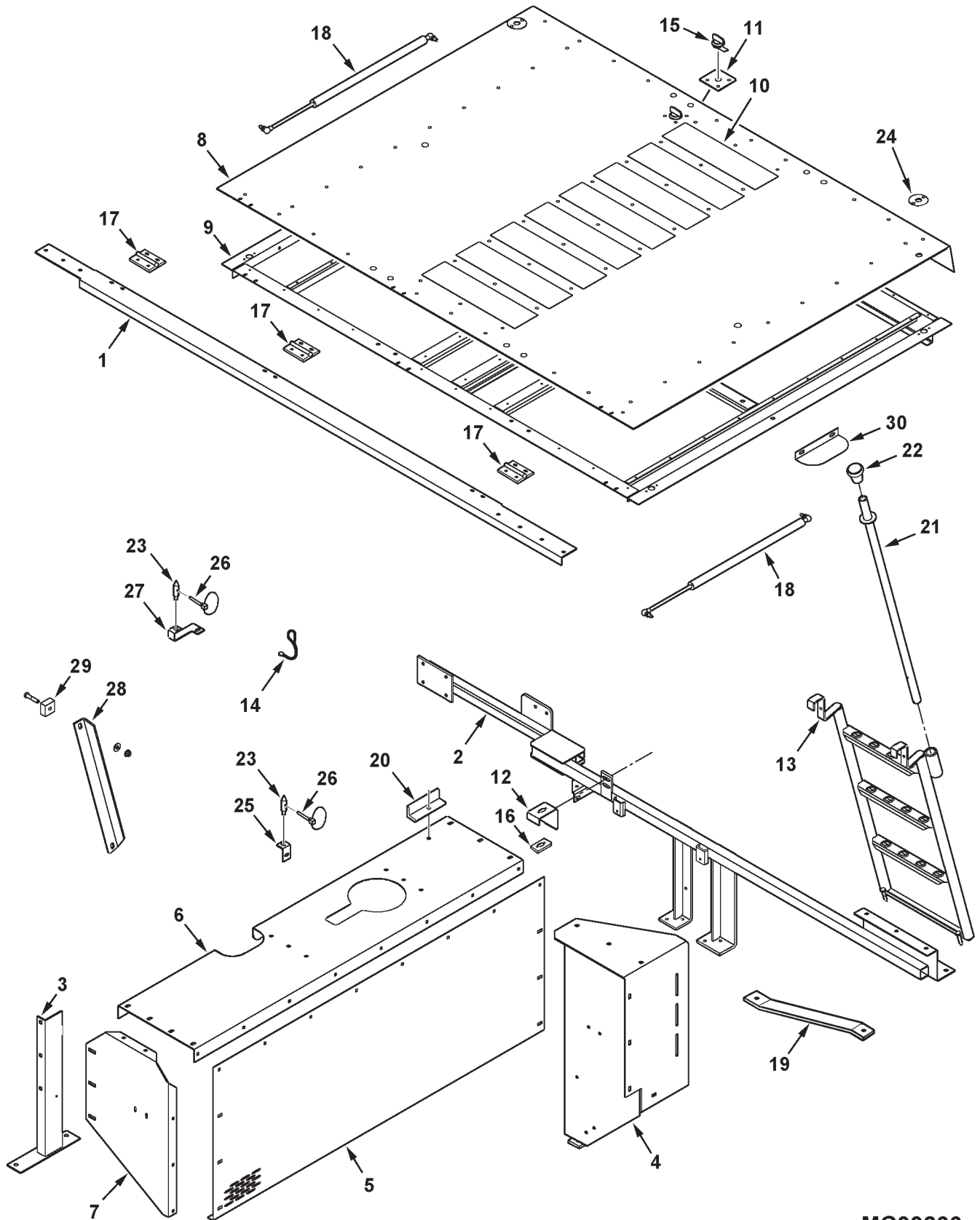
FUEL TANKS

ITEM	NUMBER	QTY	DESCRIPTION
1	71389785	1	CHANNEL, TANK RETAINING (RH)
2	71389784	1	CHANNEL, TANK RETAINING (LH)
3	70937179	4	SCREW, CAP, 3/8-16 X 11.0
	705038	4	LOCKWASHER, 3/8
4	71390914	4	SPACER
6	71388751	1	TANK, FUEL (LH)
7	71390241	1	HOSE, FILLER NECK COUPLER
8	3725988M1	4	CLAMP, #60, 3-3/8 TO 4-1/4
9	71388752	1	TANK, FUEL (RH)
10	7020027	3	CLAMP, HOSE, WORM DR, .81-1.50
11	70905262	1	PLUG, SQ HD, 3/4 NPT
12	70901828	2	BUSHING, 3/4 X 1/2 NPT
	700704010	1	SEALANT
13	720649	4	CLAMP, HOSE, WORM DR, 2.0-3.0
14	71390242	2	HOSE, COUPLER
16	70931226	2	FITTING, 90DEG. PUSH-ON HOSE
	7020027	1	CLAMP, HOSE, WORM DR, .81-1.50
17	70921910	2	CLAMP, HOSE, WORM DR, .44-.78
18	71390248	1	HOSE, VENT
19	3619622M1	1	TIE, SELF-LOCK .184 X 14.0
20	70922863	1	COUPLER, 1/4-18 NPTF
21	70936747	1	CLAMP, .750 TUBE X .281
	7703457	1	CAPSCREW, 1/4-20 X 3/4
	705012	1	LOCKWASHER, 1/4
	704007	1	NUT, 1/4-20 REG
25	71186814	1	BREATHER
26	71391932	1	INLET, FUEL
27	71391625	1	CAP, FUEL FILLER
28	71407293	1	SENDER, FUEL LEVEL W/ GASKET (SEE "ELECTRICAL, GRAIN BIN")

MCO0282
PR: 304

9790 COMBINE
SHIELDS

ENGINE COVERS



**9790 COMBINE
SHIELDS**

515

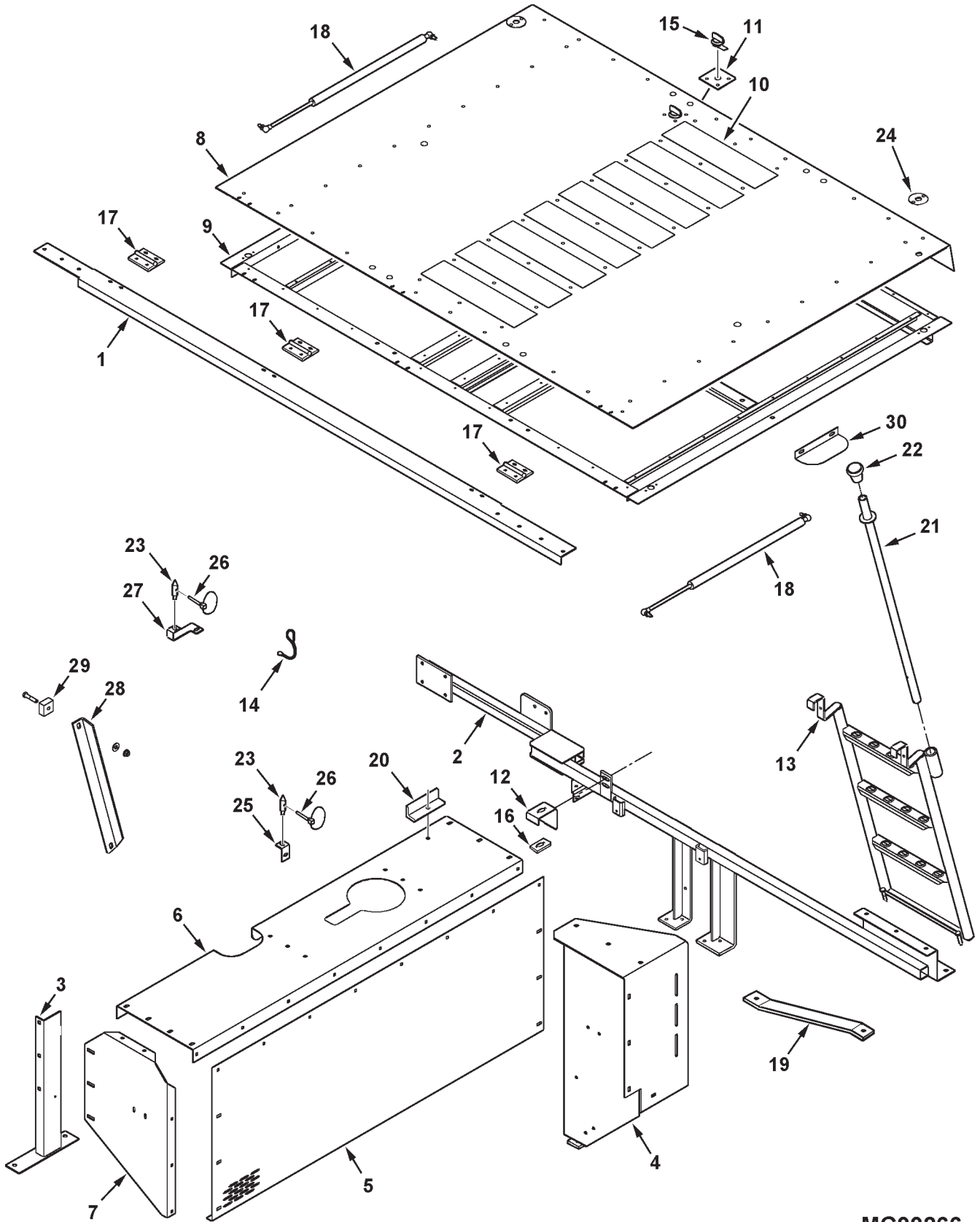
ENGINE COVERS

ITEM	NUMBER	QTY	DESCRIPTION
1	71390755	1	CROSS MEMBER, FRONT ENGINE
	7700461	3	BOLT, RHSN 5/16-18 X 3/4
	70917642	3	WASHER, 5/16 WIDE
	70917356	3	LOCKWASHER, 5/16
	70917372	3	NUT, 5/16-18
2	71392843	1	CROSS MMBR WLDMT,REAR(PRIOR S/N HN36101)
	71400914	1	CROSS MMBR WLDMT,REAR (EFF. S/N HN36101 TO HN36999)
	71406409	1	CROSS MMBR WLDMT,REAR (EFF. S/N HP36101)
	70921210	2	CAPSCREW, 3/8-16 X 1 GR5
	70917378	2	WASHER, 3/8 WIDE
	70916965	2	LOCKWASHER, 3/8
	70916950	2	NUT, 3/8-16
3	71391114	1	SUPPORT WLDMT., LH FRONT ENGINE
	70921176	2	CAPSCREW, 1/2-13 X 1-1/4
	Y705046	2	LOCKWASHER 1/2
	704031	2	NUT, 1/2-13
4	71395372	1	SUPPORT WLDMT., LH REAR ENGINE
	70921333	2	CAPSCREW, 5/16-18 X 1
	70917642	2	WASHER, 5/16 WIDE
	70917356	2	LOCKWASHER 5/16
	70917372	2	NUT, 5/16-18
	68759	3	BOLT, RHSN 3/8-16 X 1
	70916965	3	LOCKWASHER 3/8
	70916950	3	NUT, 3/8-16
5	71387759	1	PANEL, LH ENGINE ENCLOSURE
	7700461	14	BOLT, RD HD SQ NK, 5/16-18 X 3/4
	70917642	14	WASHER, 5/16 WIDE
	70917356	14	LOCKWASHER, 5/16
	70917372	14	NUT, 5/16-18
6	71390762	1	TOP PANEL, LH ENGINE (PRIOR S/N HR36101)
	71412895	1	TOP PANEL, LH ENGINE (EFF. S/N HR36101)
	7700461	7	BOLT, RD HD SQ NK, 5/16-18 X 3/4
	7700578	2	BOLT, RD HD SQ NK, 5/16-18 X 1
	70917642	9	WASHER, 5/16 WIDE
	70917356	9	LOCKWASHER, 5/16
	70917372	9	NUT, 5/16-18
7	71387761	1	FRONT, LH ENGINE ENCLOSURE
	68759	3	BOLT, RD HD SQ NK, 3/8-16 X 1
	70917378	3	WASHER, 3/8 WIDE
	70916965	3	LOCKWASHER, 3/8
	70916950	3	NUT, 3/8-16
8	71392846	1	SHEET ASY, W/DECALS (PRIOR S/N HN36101)
	71400911R	1	SHEET ASY, W/DECALS (EFF. S/N HN36101 TO HN36999)
	71405950R	1	SHEET ASY, W/DECALS (EFF. S/N HP36101 TO HP36999)
	71410657	1	SHEET ASY, W/DECALS (EFF. S/N HR36101)
	71379132	2	DECAL, WARNING ENGINE
	70937649	65	POP-RIVET, 3/16 X .063-.125 GRIP,RED
	70937650	12	POP-RIVET, 3/16 X .126-.250 GRIP,RED
	7700461	8	BOLT, RD HD SQ NK, 5/16-18 X 3/4
	70917642	8	WASHER, 5/16 WIDE
	70917356	8	LOCKWASHER, 5/16
	70917372	8	NUT, 5/16-18

CONTINUED

MC00266
PR: 306

ENGINE COVERS



**9790 COMBINE
SHIELDS**

517

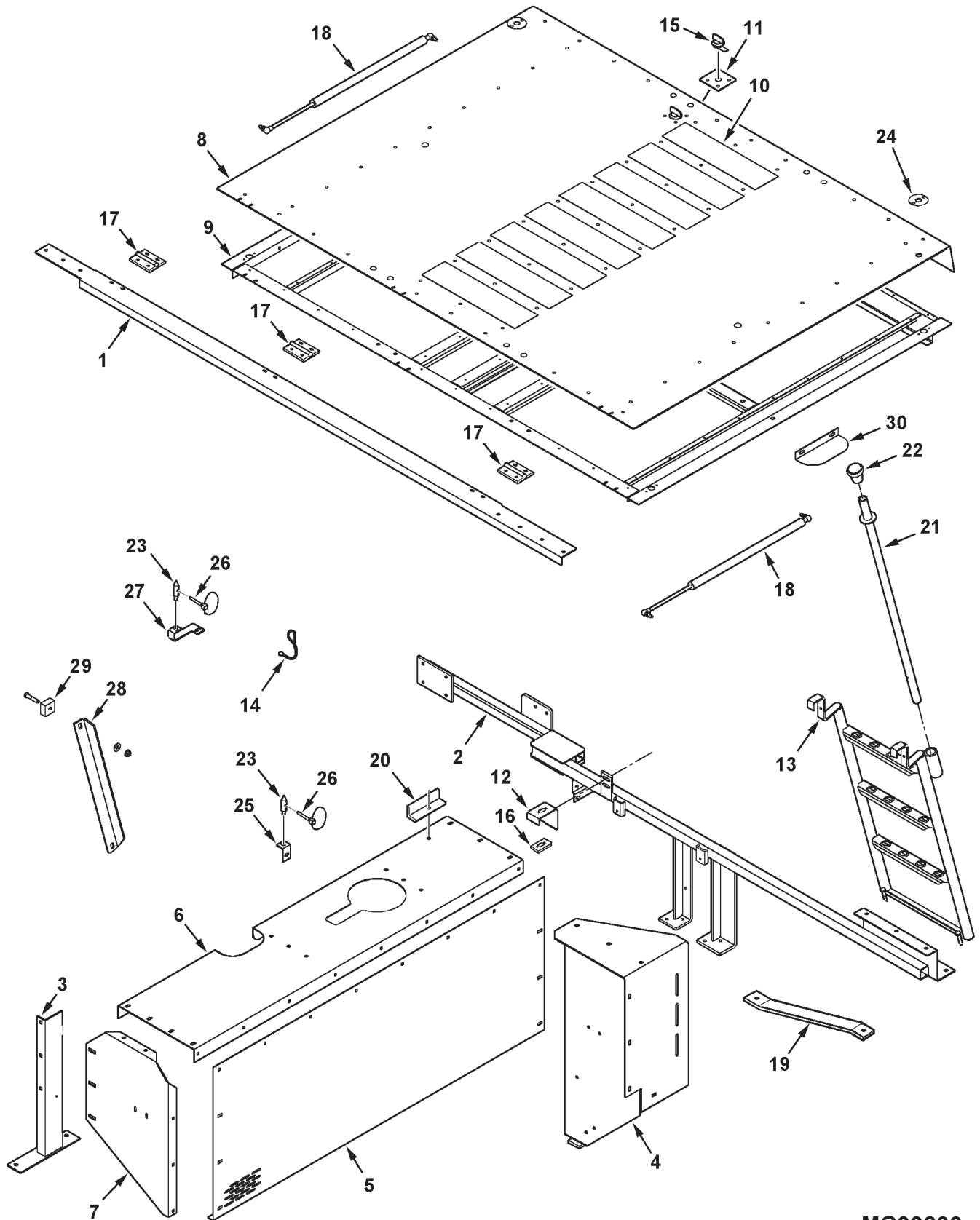
ENGINE COVERS

ITEM	NUMBER	QTY	DESCRIPTION
9	71392847	1	FRAME WLMT, ENG COVER(PRIOR S/N HP36101)
	71405945	1	FRAME WLMT, ENG COVER (EFF. S/N HP36101 TO HP36999)
	71410658	1	FRAME WLMT, ENG COVER (EFF. S/N HR36101)
	68759	2	BOLT, RD HD SQ NK, 3/8-16 X 1
	70917378	2	WASHER, 3/8, WIDE
	70916965	2	LOCKWASHER, 3/8
	70916950	2	NUT, 3/8-16 REG
10	71388938	8	TAPE, ANTI-SKID
11	71388942	1	REINF PLATE, LATCH
	70937650	4	POP-RIVET, 3/16 X .126-.250 GRIP,RED
12	71388944	1	RECEIVER BRKT WLMT, ENG COVER (PRIOR S/N HR36101)
	71410659	1	RECEIVER BRKT WLMT, ENG COVER (EFF. S/N HR36101)
	70931350	2	BOLT, RD HD SQ NK, 3/8-16 X 1
	70917378	2	WASHER, 3/8 WIDE
	70916965	2	LOCKWASHER, 3/8
	70916950	2	NUT, 3/8-16
13	71393476	1	LADDER WLMT (PRIOR S/N HN36101)(SERVICE WITH 71400913)
	71400913	1	LADDER WLMT (EFF.S/N HN36101 TO HP36999)
	71410375	1	LADDER WLMT (EFF. S/N HR36101)
	70937714	2	PIN, CLEVIS RETNR, W/RING .25 X 2.5
14	71390770	2	CABLE, LANYARD, 6 LG (PRIOR S/N HN36101)
	70934892	2	PIN, CLEVIS RETNR, W/RING .19 X 1.3 (PRIOR S/N HN36101)
	70931820	2	SCREW, TAPPING #10-16 X 1/2
15	700714706	1	LATCH, QUARTER TURN
16	700714529	1	RECEIVER, LATCH
	70924837	2	RIVET, 3/16 X .063-.125 GRIP
17	71345822	3	HINGE
	7703457	12	CAPSCREW, 1/4-20 X 3/4 (PRIOR S/N HR36101)
	70931317	12	BOLT, RD HD SQ NK, 1/4-20 X 3/4 (EFF. S/N HR36101)
	70937101	6	NUT, PUSH-ON, 1/4 (EFF. S/N HR36101)
	70917377	12	WASHER, 1/4 WIDE
	705012	12	LOCKWASHER, 1/4
	70916622	12	NUT, 1/4-20
18	71305916	2	GAS SPRING
	71307131	2	STUD/BALL
	71307132	2	CLIP/BALL STUD
	70917356	4	LOCKWASHER, 5/16
	70917372	4	NUT, 5/16-18
19	-----	1	STRAP, BRACE (9690 ONLY)
20	71390759R	2	HOLD DOWN ASY (PRIOR S/N HN36101)
	70921210	2	CAPSCREW, 3/8-16 X 1 GR5
21	71400736	1	HANDLE WLDMT, ASSIST (EFF. S/N HN36101)
	70937714	1	PIN, CLEVIS RETNR, W/RING, .25 X 2.5
	70916937	1	PIN, SPRING, 1/4 X 1-1/4
22	71379254	1	TIP, CRUTCH (EFF. S/N HN87101)
23	1656110W2	2	PIN, SHIELD LOCK (EFF. S/N HN36101)
	70917378	2	WASHER, 3/8, WIDE
	70916965	2	LOCKWASHER, 3/8
	70916950	2	NUT, 3/8-16 REG

CONTINUED

MC00266
PR: 306

ENGINE COVERS



**9790 COMBINE
SHIELDS**

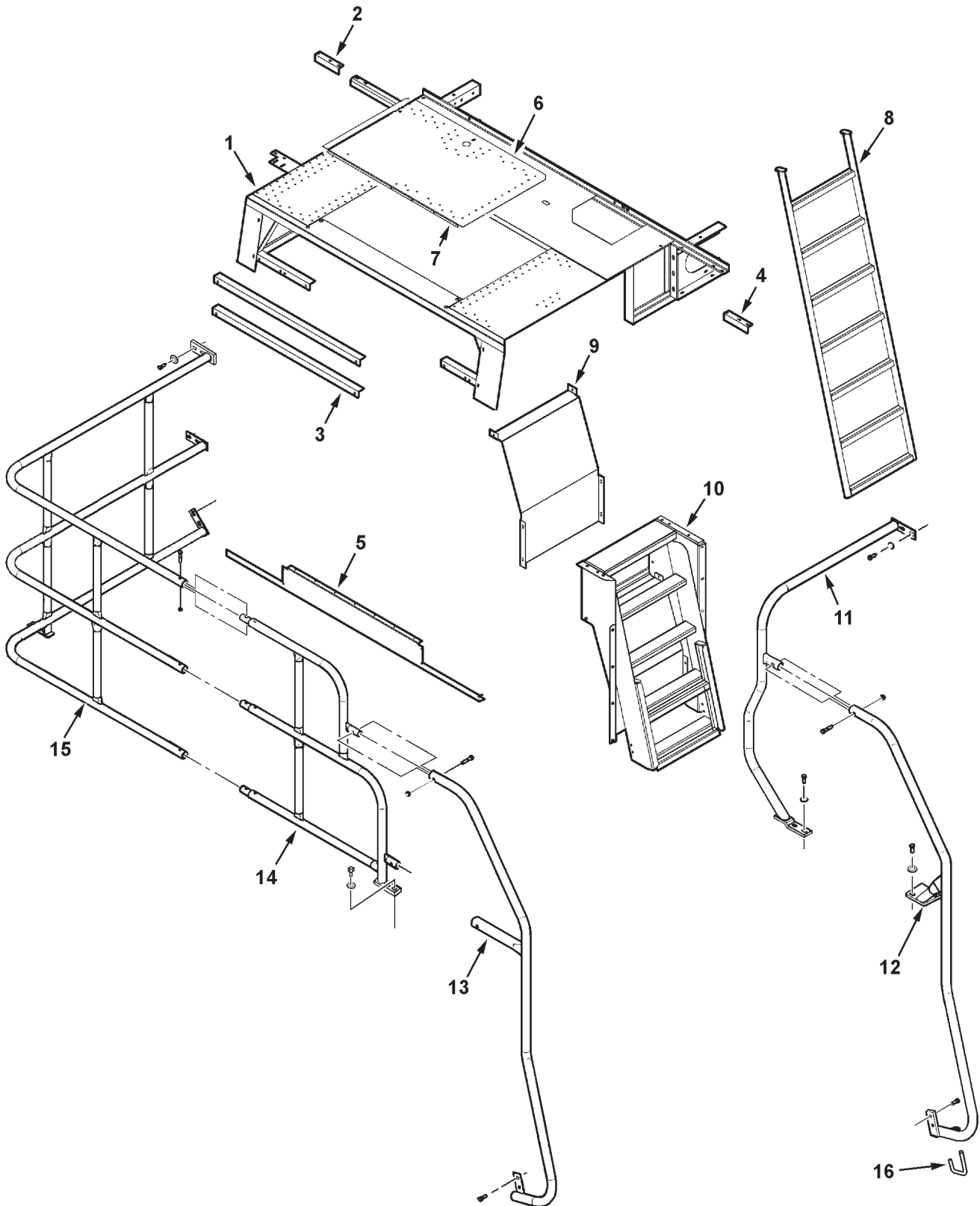
519

ENGINE COVERS

ITEM	NUMBER	QTY	DESCRIPTION
24	71400739	2	PLATE, PIN RECEIVER (EFF. S/N HN36101)
	700717635	4	RIVET, .188 X .126-.250 GRIP
25	71400738	1	ANGLE, ENGINE COVER (EFF. S/N HN36101 TO HN36999)
	71410424	1	ANGLE, ENGINE COVER (EFF. S/N HR36101)
	70921965	1	CAPSCREW, 3/8-16 X 3/4
	70917378	1	WASHER, 3/8, WIDE
	70916965	1	LOCKWASHER, 3/8
	70916950	1	NUT, 3/8-16 REG
26	863415	2	PIN, KLIK 3/16 X 1 W/CHAIN & COTTER (EFF. S/N HN36101)
27	71406414	1	BRKT, ENG COVER HOLD DOWN (EFF. S/N HP36101 TO HP36999)
	71410423	1	BRKT, COVER HOLD DOWN (EFF. S/N HR36101)
28	71412896	1	BRACE ANGLE (EFF. S/N HR36101)
	70921971	1	CAPSCREW, 3/8-16 X 1-3/4 GR5
	70917378	1	WASHER, 3/8 WIDE
	Y704734	1	NUT, FLANGE TOP LOCK, 3/8-16
29	71392705	1	SPACER PLATE
30	71412894	1	COVER (EFF. S/N HR36101)
	70921332	2	CAPSCREW, 5/16-18 X 3/4
	Y705525	2	WASHER, 5/16, HARD
	70917356	2	LOCKWASHER, 5/16
	70917372	2	NUT, 5/16-18

MC00266
PR: 306

REAR DECK AND LADDER



**9790 COMBINE
SHIELDS**

521

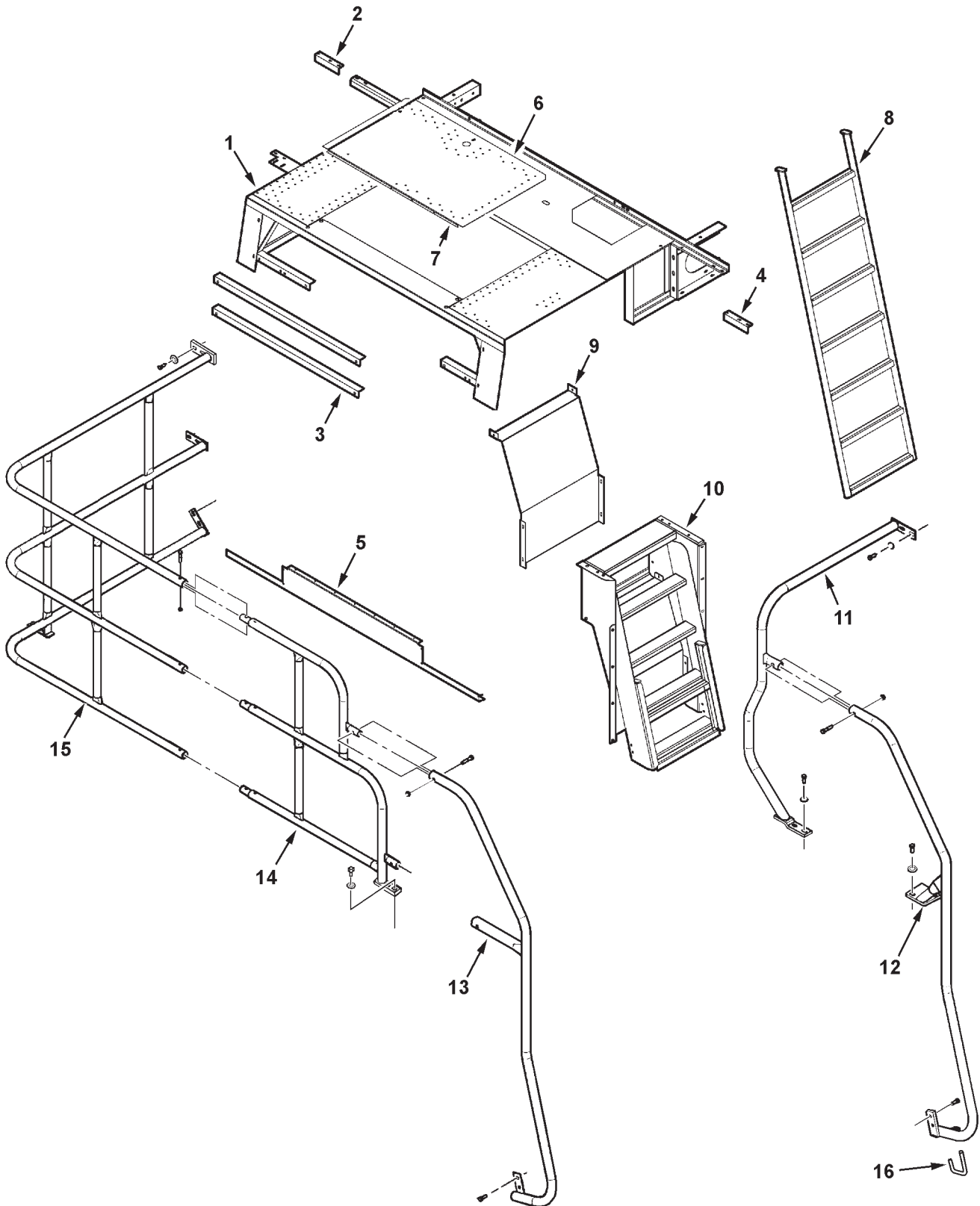
REAR DECK AND LADDER

ITEM	NUMBER	QTY	DESCRIPTION	
1	71395358	1	DECK & FLOOR WLMT, RR(PRIOR S/N HP36101)	
	71406922	1	DECK & FLOOR WLMT, RR (EFF. S/N HP36101 TO HP36999)	
	71410990	1	DECK & FLOOR WLMT, RR (EFF. S/N HR36101)	
	70921210	5	CAPSCREW, 3/8-16 X 1	
	70917378	5	WASHER, 3/8 WIDE	
	70916965	5	LOCKWASHER, 3/8	
	70916950	5	NUT, 3/8-16	
	701235	6	CAPSCREW, 1/2-13 X 1-1/2	
	70918431	12	WASHER, WIDE 1/2	
	Y705046	6	LOCKWASHER, 1/2	
	704031	6	NUT, 1/2-13	
	2	2630430W1R	2	BRACKET, SHIELD ADJUSTMENT
	3	2635250W1R	2	ANGLE, REAR DECK
706432		2	TRUSS SCREW, 5/16-18 X 1	
70921332		2	CAPSCREW, 5/16-18 X 3/4	
70917356		4	LOCKWASHER, 5/16	
70917372		4	NUT, 5/16-18	
4	2630420W1R	1	BRACKET, SHIELD, ADJUSTMENT	
	70921210	6	CAPSCREW, HEX, 5/16-18 X 1	
	70917642	6	WASHER, FLAT, 5/16	
	Y704726	6	NUT, FLANGE TOP LOCK, 5/16-18	
5	71393494	1	TRIM REAR, REAR DECK	
	70918249	2	MACHINE SCREW, CRTH, 5/16-18 X 3/4	
	Y705020	2	LOCKWASHER, 5/16	
	70917372	2	NUT, HEX 5/16-18	
6	71393492	1	DOOR, ROTOR DRIVE ACCESS	
	70918249	1	MACHINE SCREW, CRTH, 5/16-18 X 3/4	
7	71393493	1	HINGE, PIANO 34"	
	70937253	14	RIVET, BLIND	
8	71386773	1	LADDER, REAR WLDMT	
9	71391831	1	SHIELD, REAR LADDER	
	71379129	1	DECAL, WARNING FALLING	
	71379127	1	DECAL, WARNING SPREADER	
	70921332	4	BOLT, 5/16-18 X 3/4	
	70917642	4	WASHER, WIDE 5/16	
	Y705020	4	LOCKWASHER, 5/16	
	10	71391835	1	SUPPORT, REAR LADDER
70921210		6	CAPSCREW, 3/8-16 X 1	
70916965		6	LOCKWASHER, 3/8	
70916950		6	NUT, HEX 3/8-16	
70921332		6	CAPSCREW, 5/16-18 X 3/4	
Y705020		6	LOCKWASHER, 5/16	
70917372		6	NUT, HEX 5/16-18	

CONTINUED

MC00265
PR: 310

REAR DECK AND LADDER



9790 COMBINE
SHIELDS

523

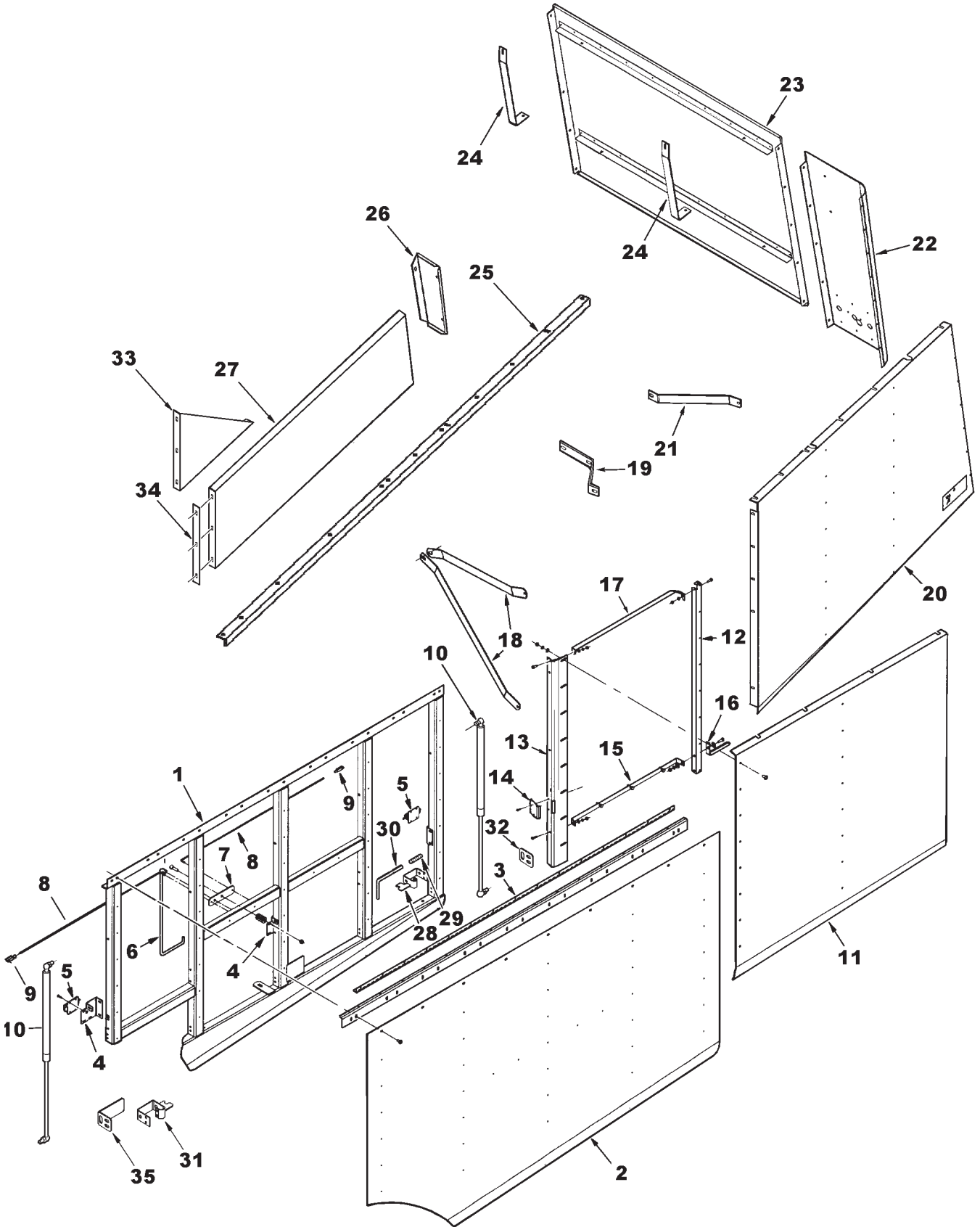
REAR DECK AND LADDER

ITEM	NUMBER	QTY	DESCRIPTION
11	71393992	1	RAIL WLMT, RH RR DECK(PRIOR S/N HP36101)
	71406772	1	RAIL WLMT, RH RR DECK (EFF. S/N HP36101)
	70921210	4	CAPSCREW, 3/8-16 X 1
	70916965	4	LOCKWASHER, 3/8
	70916950	4	NUT, HEX 3/8-16
	70917378	4	WASHER, WIDE 3/8
12	71393995	1	GRAB RAIL, RIGHT
	70921210	4	CAPSCREW, 3/8-16 X 1
	70921971	1	CAPSCREW, 3/8-16 X 1-3/4
	70916965	4	LOCKWASHER, 3/8
	70916950	4	NUT, HEX 3/8-16
	70917378	2	WASHER, WIDE 3/8
	7704141	1	NUT, HTLN 3/8-16
13	71393994	1	GRAB RAIL, LEFT
	70921210	2	CAPSCREW, 3/8-16 X 1
	70921971	2	CAPSCREW, 3/8-16 X 1-3/4
	70916965	2	LOCKWASHER, 3/8
	70916950	2	NUT, HEX 3/8-16
	7704141	2	NUT, HTLN 3/8-16
14	71393984	1	HANDRAIL, CENTER REAR DECK
	70921210	2	CAPSCREW, 3/8-16 X 1
	70917378	2	WASHER, WIDE 3/8
15	71390789	1	HANDRAIL, LEFT REAR DECK
	70921210	8	CAPSCREW, 3/8-16 X 1
	70921971	3	CAPSCREW, 3/8-16 X 1-3/4
	70916965	8	LOCKWASHER, 3/8
	70916950	8	NUT, HEX 3/8-16
	70917378	8	WASHER, WIDE 3/8
16	7704141	3	NUT, HTLN 3/8-16
	2632690W1	1	ROD, LADDER SUPPORT
	70918431	1	WASHER, 1/2
	62182	1	COTTER PIN

MCO0265
PR: 310

9790 COMBINE
SHIELDS

SIDE SHIELDS
LEFT SIDE



**9790 COMBINE
SHIELDS**

525

**SIDE SHIELDS
LEFT SIDE**

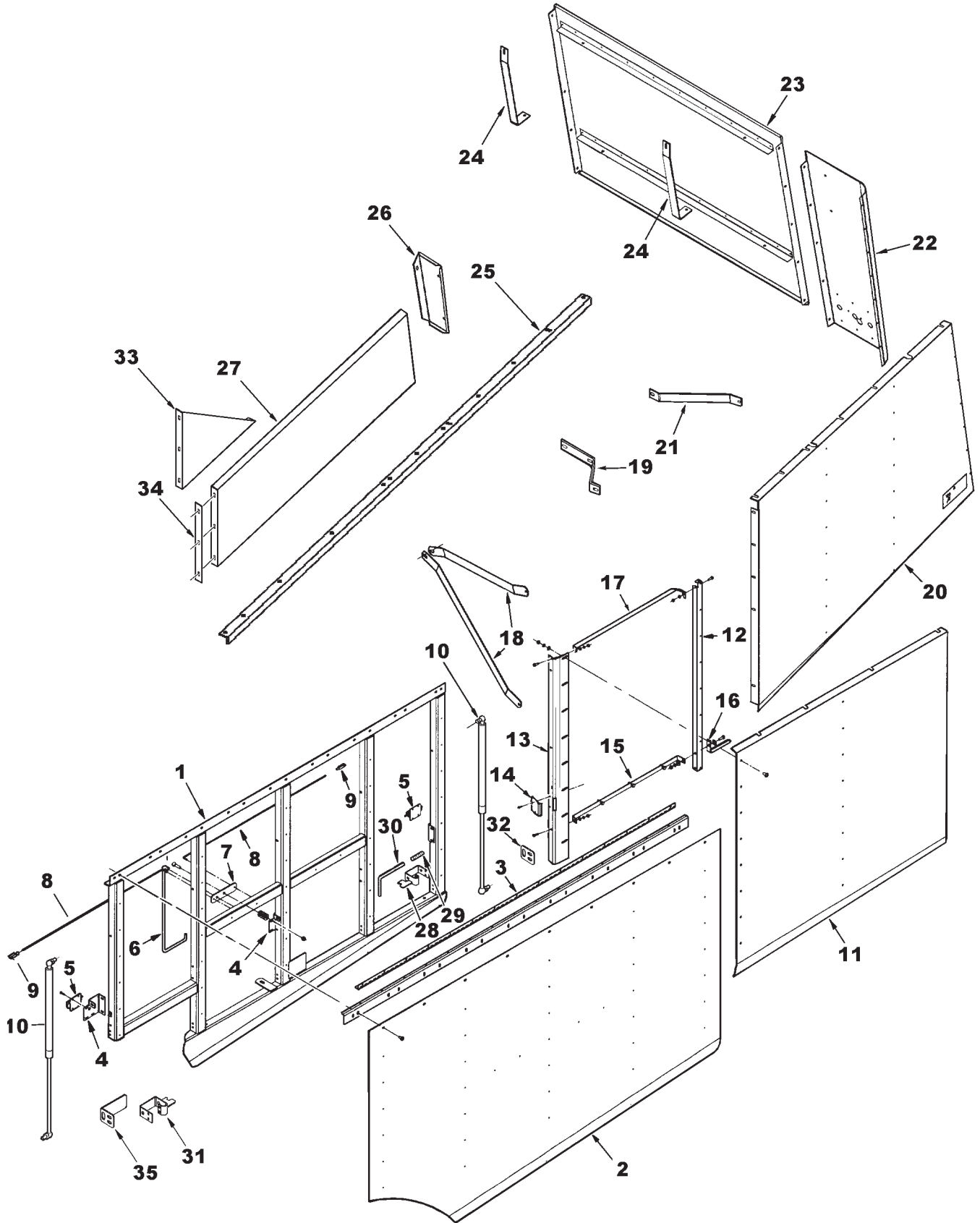
ITEM	NUMBER	QTY	DESCRIPTION
-	71398451	1	SHIELD ASY, LEFT FRONT (INCL ITEMS 1-9 & 28-31)
1	71398452	1	FRAME, SHIELD FRONT
2	71398454	1	SHIELD, FRONT
	71379128	1	DECAL, WARNING
	700721602	9	SCREW, TRUSS HD, RED, 5/16-18 X 5/8
	70931277	9	NUT, HEX SERR FLNG, 5/16-18
	700717635	57	RIVET, .188 X .125-.250
3	71349763	1	HINGE, PIANO
	71398453	1	ANGLE, SHIELD HANGER
	700717635	15	RIVET, .188 X .125-.250
4	71394874	3	MOUNT, LATCH
	7883267	9	SCREW, HEX WSHR HD, 1/4-20 X 1/2
	1703354	9	NUT, HEX FLANGE TOP LOCK, 1/4-20
5	71395354	2	LATCH ASY.
	700705088	8	SCREW, PAN #10-24 X 3/4
	70917380	8	WASHER
	705004	8	LOCKWASHER
	Y704072	8	NUT, #10-24 GR2
6	71395352	1	HANDLE, SHIELD LATCH
	62026	1	COTTER PIN, 1/16 X 3/4
	70917378	1	WASHER, 3/8 WIDE
7	71395353	1	PIVOT, LATCH
	70920415	1	CAPSCREW, 3/8-16 X 1-1/4
	70917378	4	WASHER, 3/8 WIDE
	Y704635	1	NUT, HEX CENTER LOCK, 3/8-16
8	71396401	2	ROD, LATCH
	62026	2	COTTER PIN, 1/16 X 3/4
	70917380	2	WASHER, #10
9	70929595	2	YOKE
	70929591	2	PIN, CLEVIS
	62026	2	COTTER PIN, 1/16 X 3/4
	Y704445	2	NUT, 10-32 GR2
10	71396402	2	SPRING, GAS
	71339847	2	STUD, BALL 10MM
	Y705020	2	LOCKWASHER, 5/16
	70917372	2	NUT, HEX 5/16-18
11	71392831R	1	SHIELD ASY, MIDDLE (INCL ITEMS 12-17)
	71392832R	1	SHIELD, LEFT MIDDLE
	70921210	2	CAPSCREW, 3/8-16 X 1
	70916965	2	LOCKWASHER, 3/8
	70916950	2	NUT, HEX 3/8
12	71392837	1	ANGLE, STIFFENER
	70937649	5	RIVET, 3/16 X 9/32 RED
13	71393982	1	STIFFENER, STOP
	112845W1	7	SCREW, TRUSS HD, RED, 5/16-18 X 1
	700721916	2	SCREW, TRUSS HD, BLACK, 5/16-18 X 1
	70917642	9	WASHER, WIDE 5/16
	Y705020	9	LOCKWASHER, 5/16
	70917372	9	NUT, HEX 5/16-18
14	71395351	1	PLATE, STRIKER
	700717635	2	RIVET

CONTINUED

MC00268
PR: 314

9790 COMBINE
SHIELDS

SIDE SHIELDS
LEFT SIDE



**9790 COMBINE
SHIELDS**

527

**SIDE SHIELDS
LEFT SIDE**

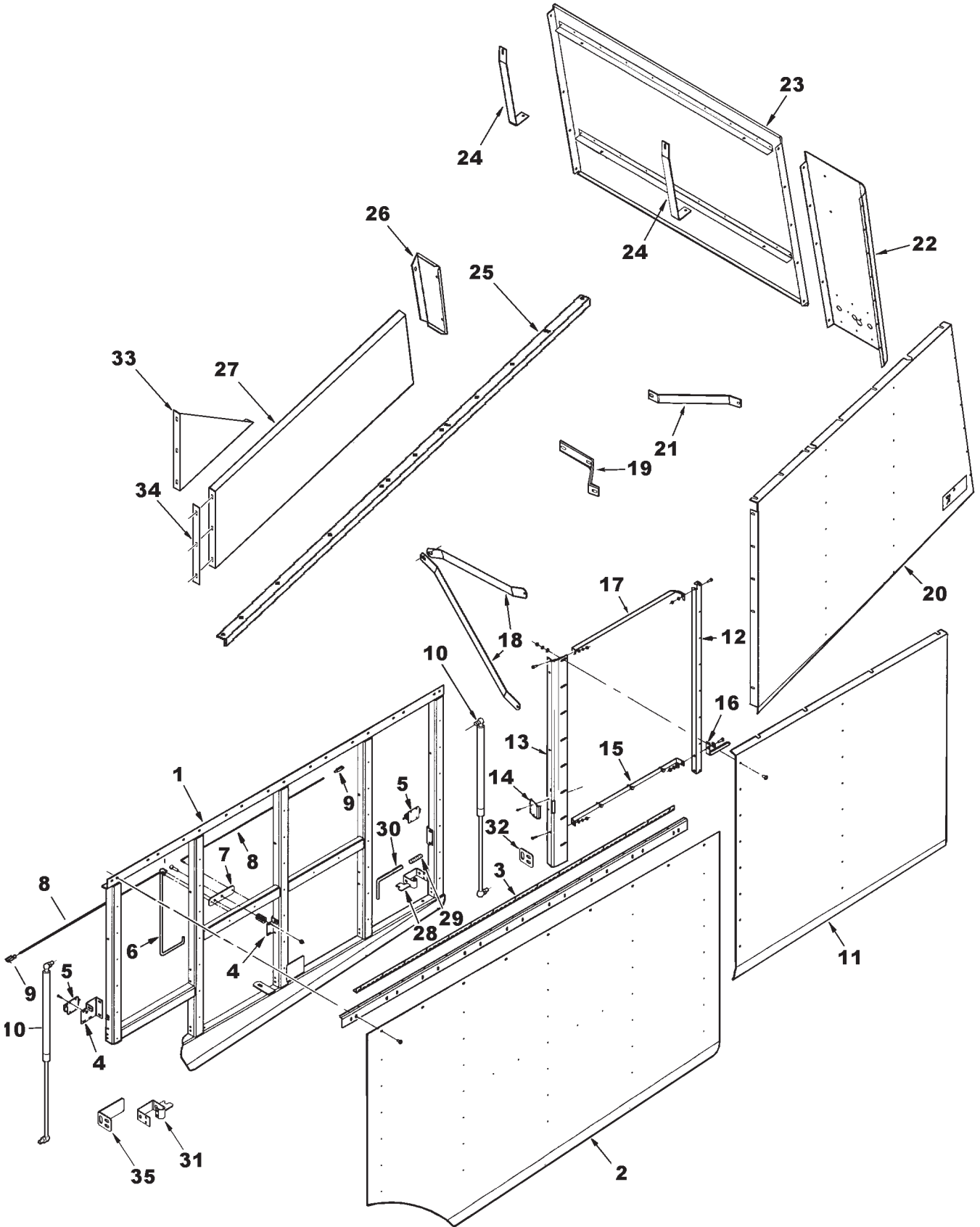
ITEM	NUMBER	QTY	DESCRIPTION
15	71393978R	1	STRAP, CATCH
	7703457	1	CAPSCREW, 1/4-20 X 3/4
	70917377	1	WASHER, WIDE 1/4
	705012	1	LOCKWASHER, 1/4
	70916622	1	NUT, HEX 1/4-20
	112845W1	1	SCREW, TRUSS 5/16-18 X 1
	70917642	2	WASHER, WIDE 5/16
	Y705020	1	LOCKWASHER, 5/16
	70917372	1	NUT, HEX 5/16-18
16	71393977R	1	BRACKET, HANGER
17	71394405R	1	BRACKET
	7703457	2	CAPSCREW, 1/4-20 X 3/4
	70917377	1	WASHER, WIDE 1/4
	705012	2	LOCKWASHER, 1/4
	70916622	2	NUT, HEX 1/4-20
18	71393983R	2	STRAP, SHIELD SUPPORT
	70921333	2	CAPSCREW, 5/16-18 X 1
	70917642	2	WASHER, WIDE 5/16
	Y705020	2	LOCKWASHER, 5/16
	70917372	2	NUT, HEX 5/16-18
	70921210	2	CAPSCREW, 3/8-16 X 1
	70916965	2	LOCKWASHER, 3/8
	70916950	2	NUT, HEX 3/8
19	71394873R	1	STRAP, SHIELD SUPPORT BTRY.
	70921333	1	CAPSCREW, 5/16-18 X 1
	70917642	1	WASHER, WIDE 5/16
	Y705020	1	LOCKWASHER, 5/16
	70917372	1	NUT, HEX 5/16-18
	70921210	1	CAPSCREW, 3/8-16 X 1
	70916965	1	LOCKWASHER, 3/8
	70916950	1	NUT, HEX 3/8
20	71392833R	1	SHIELD ASY., LEFT REAR
	71379127	1	DECAL, WARNING
	70921333	12	CAPSCREW, 5/16-18 X 1
	70917642	12	WASHER, WIDE 5/16
	Y705020	12	LOCKWASHER, 5/16
	70917372	12	NUT, HEX 5/16-18
	7703424	3	SCREW, HEX SERR FLANGE, 3/8-16 X 1
	704247	3	NUT, HEX SERR FLANGE, 3/8-16
21	71395384R	1	STRAP, SHIELD SUPPORT
	70921333	1	CAPSCREW, 5/16-18 X 1
	70917642	1	WASHER, WIDE 5/16
	Y705020	1	LOCKWASHER, 5/16
	70917372	1	NUT, HEX 5/16-18
	70921210	1	CAPSCREW, 3/8-16 X 1
	70916965	1	LOCKWASHER, 3/8
	70916950	1	NUT, HEX 3/8

CONTINUED

MC00268
PR: 314

9790 COMBINE
SHIELDS

SIDE SHIELDS
LEFT SIDE



**9790 COMBINE
SHIELDS**

529

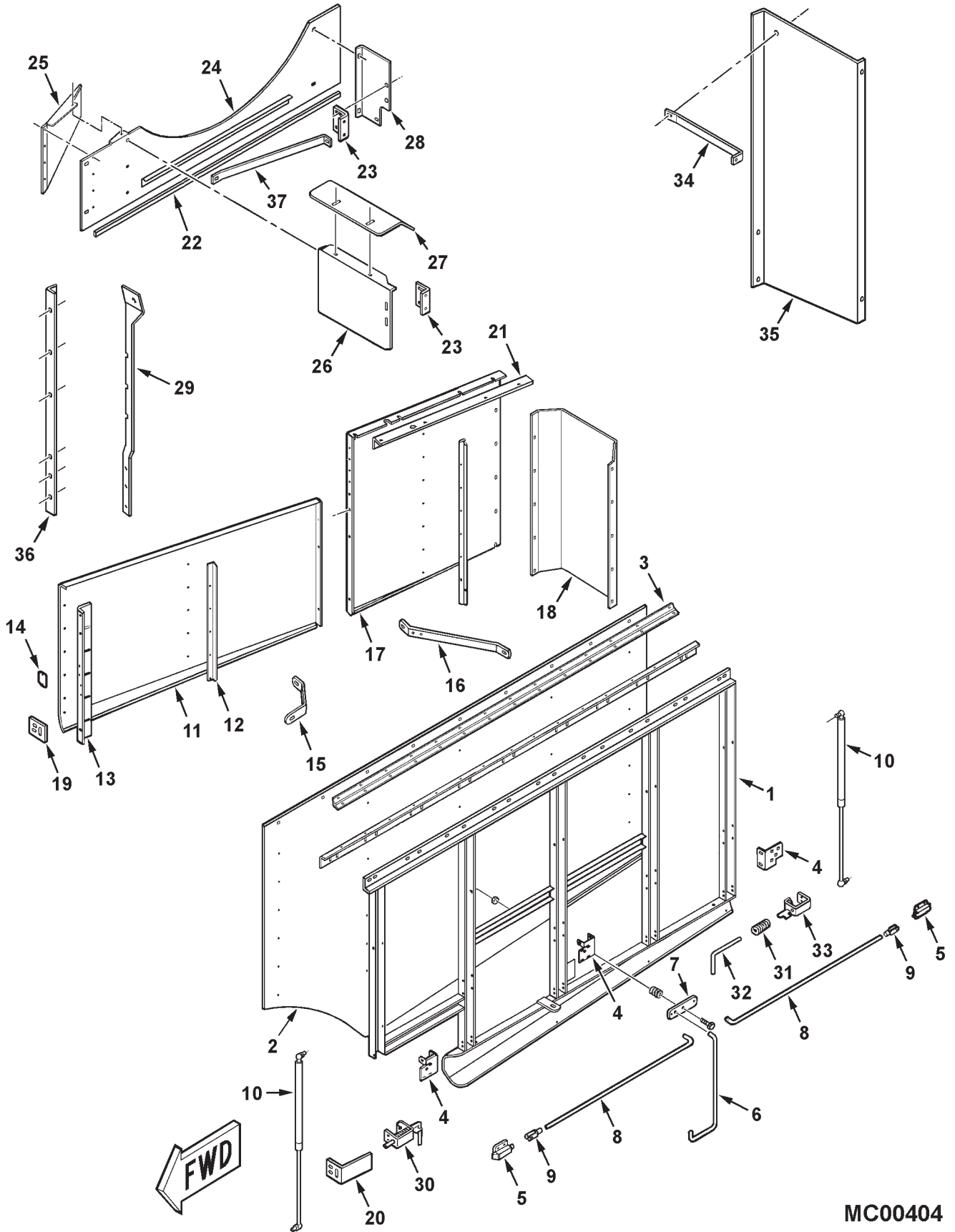
**SIDE SHIELDS
LEFT SIDE**

ITEM	NUMBER	QTY	DESCRIPTION
22	71392838P	1	SHIELD ASY., LEFT REAR CORNER
	70937649	8	RIVET, 3/16 X 9/32 RED
	112845W1	2	SCREW, TRUSS 5/16-18 X 1
	70917642	2	WASHER, WIDE 5/16
	Y705020	2	LOCKWASHER, 5/16
	70917372	2	NUT, HEX 5/16-18
	70921965	5	CAPSCREW, 3/8-16 X 3/4
	70916965	5	LOCKWASHER, 3/8
	70916950	5	NUT, HEX 3/8
23	71392835R	1	SHIELD, REAR
	71379127	1	DECAL, WARNING
24	71394867	2	STRAP, SHIELD SUPPORT REAR
	70921965	2	CAPSCREW, 3/8-16 X 3/4
	70916965	2	LOCKWASHER, 3/8
	70916950	2	NUT, HEX 3/8
25	71393985R	1	SUPPORT, LEFT REAR SHIELD
	703249	2	CAPSCREW, 3/8-16 X 1
	70917378	4	WASHER, WIDE, 3/8
	70916965	2	LOCKWASHER, 3/8
	70916950	2	NUT, HEX, 3/8-16
26	71394407R	1	PANEL, END LEFT
	703249	3	CAPSCREW, 3/8-16 X 1
	70917378	4	WASHER, WIDE, 3/8
	70916965	3	LOCKWASHER, 3/8
	70916950	3	NUT, HEX, 3/8-16
27	71395378R	1	PANEL, TOP LEFT
	7703424	5	SCREW, HEX SERR FLANGE, 3/8-16 X 1
	704247	5	NUT, HEX SERR FLANGE, 3/8-16
	70920415	3	CAPSCREW, 3/8-16 X 1-1/4 GR5
	70917378	3	WASHER, WIDE, 3/8
	70916965	3	LOCKWASHER, 3/8
	70916950	3	NUT, 3/8-16 REG
28	71399198	1	BRACKET WLDMT, RH [A]
	7703457	4	CAPSCREW, 1/4-20 X 3/4
	1703354	4	NUT, HEX FLANGE TOP LOCK, 1/4-20
29	Y58040	2	SPRING [A]
30	71399326	2	PIN, LATCH [A]
	70924764	2	PIN, SPRING, 1/8 X 3/4
31	71399199	1	BRACKET WLDMT, LH [A]
	7703457	4	CAPSCREW, 1/4-20 X 3/4
	1703354	4	NUT, HEX FLNG TOP LK, 1/4-20
32	71399329	1	PLATE, LATCH [A]
	7700461	2	BOLT, CARRIAGE, 5/16-18 X 3/4
	Y704726	2	NUT, HEX FLNG TOP LK, 5/16-18
33	71400729	1	GUSSET, SHIELD [A]
34	71400461	1	STRAP [A]
35	71399341	1	SUPPORT ANGLE, DOOR STOP [A]
	7700461	2	BOLT, RND HD SQ NK, 5/16-18 X 3/4
	Y704726	2	NUT, HEX FLNG TOP LOCK, 5/16-18

[A] EFF. S/N HN36101

MC00268
PR: 314

SIDE SHIELDS
RIGHT SIDE



**9790 COMBINE
SHIELDS**

531

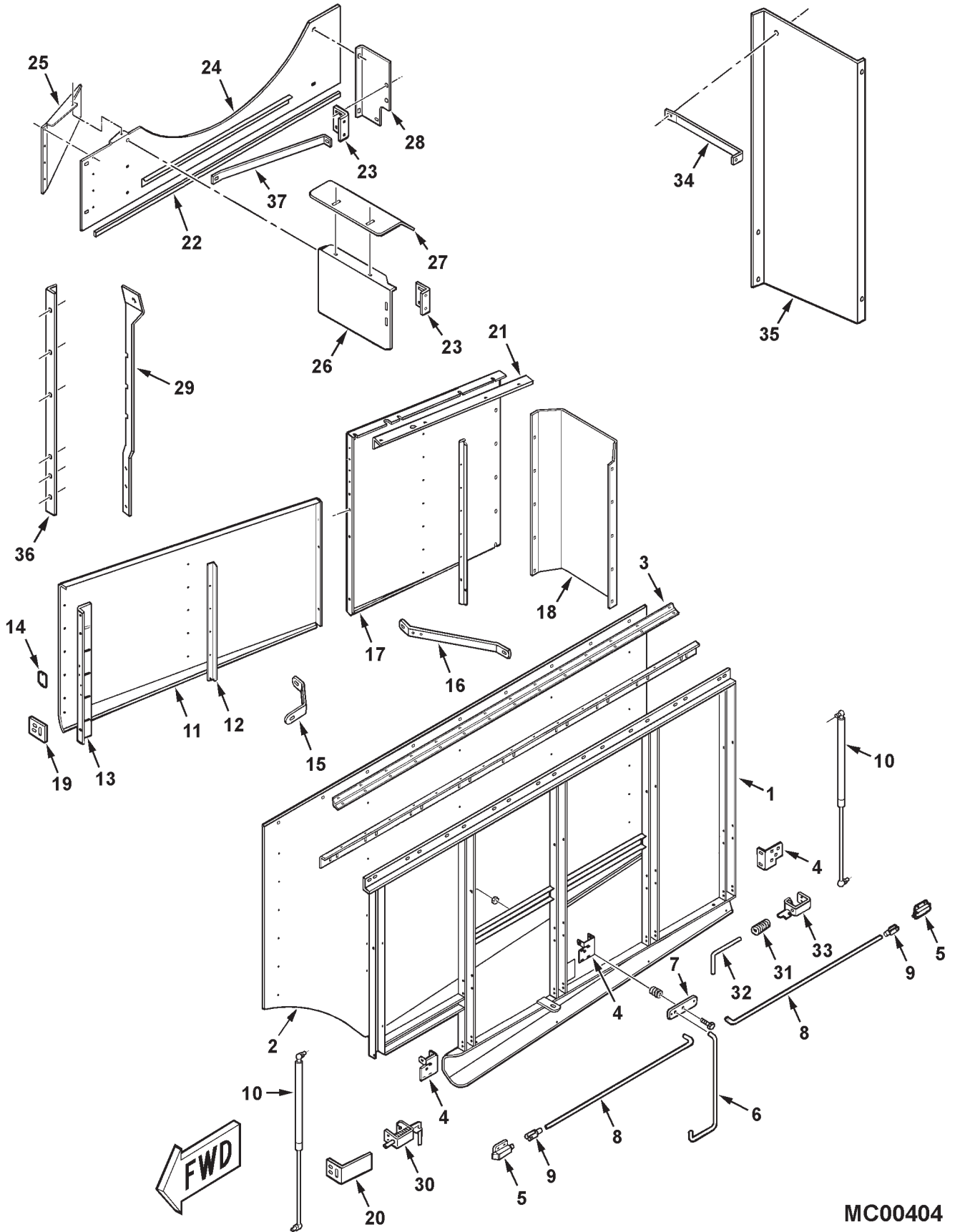
**SIDE SHIELDS
RIGHT SIDE**

ITEM	NUMBER	QTY	DESCRIPTION
-	71398473	1	SHIELD ASY, RIGHT FRONT (INCL ITEMS 1-9 & 30-33)
1	71398474R	1	FRAME, SHIELD FRONT
2	71398475R	1	SHIELD, FRONT
	71379128	1	DECAL, WARNING
	700721602	9	SCREW, TRUSS HD, RED, 5/16-18 X 5/8
	70931277	9	NUT, HEX SERR FLNG, 5/16-18
	700717635	57	RIVET, .188 X .125-.250
3	71349763	1	HINGE, PIANO
	71398453	1	ANGLE, SHIELD HANGER
	700717635	15	RIVET, .188 X .125-.250
4	71394874	3	MOUNT, LATCH
	7883267	9	SCREW, HEX WSHR HD, 1/4-20 X 1/2
	70931209	9	NUT, HEX FLNG, 1/4-20
5	71395354	2	LATCH ASY.
	700705088	8	SCREW, PAN HD, #10-24 X 3/4
	70917380	8	WASHER
	705004	8	LOCKWASHER
	Y704072	8	NUT, #10-24 GR2
6	71395352	1	HANDLE, SHIELD LATCH
	62026	1	COTTER PIN, 1/16 X 3/4
	70917378	1	WASHER, 3/8 WIDE
7	71395353	1	PIVOT, LATCH
	70920415	1	CAPSCREW, 3/8-16 X 1-1/4
	70917378	4	WASHER, 3/8 WIDE
	Y704635	1	NUT, HEX CENTER LOCK, 3/8-16
8	71396401	2	ROD, LATCH
	62026	2	COTTER PIN, 1/16 X 3/4
	70917380	2	WASHER, 10
9	70929595	2	YOKE
	70929591	2	PIN, CLEVIS
	62026	2	COTTER PIN, 1/16 X 3/4
	Y704445	2	NUT, #10-32 GR2
10	71396402	2	SPRING, GAS
	71339847	2	STUD, BALL 10MM
	Y705020	2	LOCKWASHER, 5/16
	70917372	2	NUT, HEX 5/16-18
11	71393497R	1	SHIELD ASY, MIDDLE (INCL ITEMS 12-14)
	71392842	1	SHIELD, RIGHT MIDDLE
	70921210	2	CAPSCREW, 3/8-16 X 1
	70916965	2	LOCKWASHER, 3/8
	70916950	2	NUT, HEX 3/8
12	71392830	1	ANGLE, STIFFENER
	70937649	5	RIVET, 3/16 X 9/32 RED
13	71394406	1	STIFFENER, STOP
	112845W1	5	SCREW, TRUSS HD, RED, 5/16-18 X 1
	700721916	2	SCREW, TRUSS HD, BLACK, 5/16-18 X 1
	70917642	7	WASHER, WIDE 5/16
	Y705020	7	LOCKWASHER, 5/16
	70917372	7	NUT, HEX 5/16-18
14	71395351	1	PLATE, STRIKER
	70937650	2	RIVET, .188 X .125-.250

CONTINUED

MC00404
PR: 320

SIDE SHIELDS
RIGHT SIDE



**9790 COMBINE
SHIELDS**

533

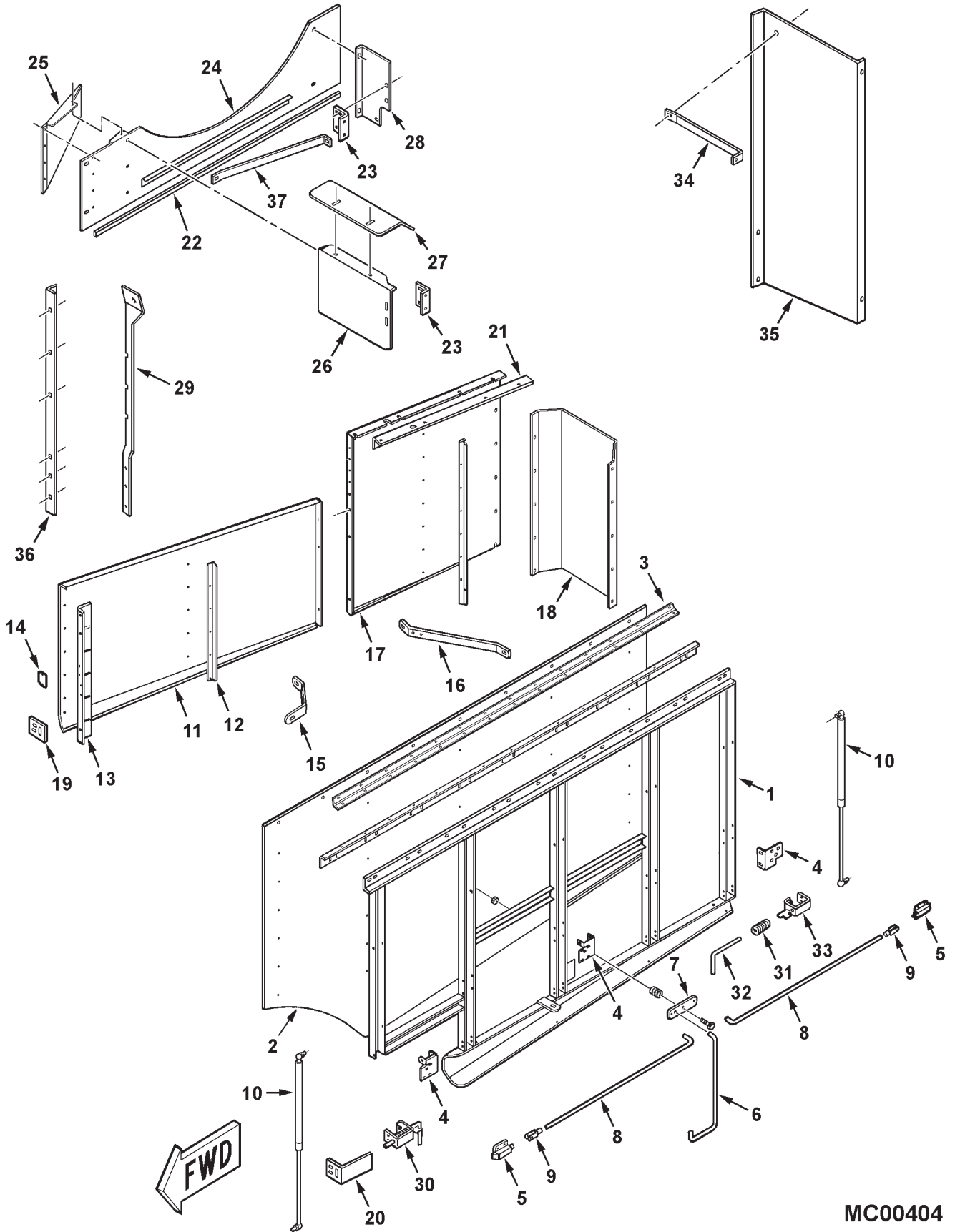
**SIDE SHIELDS
RIGHT SIDE**

ITEM	NUMBER	QTY	DESCRIPTION
15	71394413R	1	SUPPORT, MIDDLE SHIELD
	70921332	2	CAPSCREW, 5/16-18 X 3/4
	70917642	4	WASHER, WIDE 5/16
	Y705020	2	LOCKWASHER, 5/16
	70917372	2	NUT, HEX 5/16-18
16	71394868R	1	STRAP, SHIELD SUPPORT
	70921333	1	CAPSCREW, 5/16-18 X 1
	70917642	1	WASHER, WIDE 5/16
	Y705020	1	LOCKWASHER, 5/16
	70917372	1	NUT, HEX 5/16-18
	70921210	1	CAPSCREW, 3/8-16 X 1
	70916965	1	LOCKWASHER, 3/8
	70916950	1	NUT, HEX 3/8
17	71392841R	1	SHIELD ASY, RIGHT RR (PRIOR S/N HR36101)
	71410630	1	SHIELD ASY, RIGHT RR (EFF. S/N HR36101)
	112845W1	6	SCREW, TRUSS 5/16-18 X 1
	70921332	3	CAPSCREW, 5/16-18 X 3/4
	70921333	2	CAPSCREW, 5/16-18 X 1
	70917642	10	WASHER, WIDE 5/16
	Y705020	11	LOCKWASHER, 5/16
	70917372	11	NUT, HEX 5/16-18
18	71392836R	1	SHIELD, RIGHT REAR CORNER
	70921333	2	CAPSCREW, 5/16-18 X 1
	70917642	2	WASHER, WIDE 5/16
	Y705020	2	LOCKWASHER, 5/16
	70917372	2	NUT, HEX 5/16-18
19	71399329	1	PLATE, LATCH [A]
	7700461	2	BOLT, RND HD SQ NK, 5/16-18 X 3/4
	Y704726	2	NUT, HEX FLNG TOP LOCK, 5/16-18
20	71399341	1	SUPPORT ANGLE, DOOR STOP [A]
	7700461	2	BOLT, RND HD SQ NK, 5/16-18 X 3/4
	Y704726	2	NUT, HEX FLNG TOP LOCK, 5/16-18
21	71394414	1	ANGLE, SHIELD SUPPORT(PRIOR S/N HR36101)
	71410633	1	ANGLE, SHIELD SUPPORT (EFF. S/N HR36101)
	70921210	1	CAPSCREW, 3/8-16 X 1
	70917378	1	WASHER, 3/8 NOM
	70916965	1	LOCKWASHER, 3/8
	70916950	1	NUT, HEX 3/8
	70921333	1	CAPSCREW, 5/16-18 X 1
	70917642	1	WASHER, WIDE 5/16
	Y705020	1	LOCKWASHER, 5/16
	70917372	1	NUT, HEX 5/16-18
22	71394415	1	EDGE TRIM, 44.0 LG (PRIOR S/N HR36101)
	71410637	1	EDGE TRIM, 53.1 LG (EFF. S/N HR36101)
23	71393987	2	BRACKET, ANGLE
	70921332	4	CAPSCREW, 5/16-18 X 3/4
	70931277	4	LOCKNUT, SERR FLANGE, 5/16-18
24	71394402	1	SHIELD ASY, 40" (PRIOR S/N HR36101)
	7700461	2	BOLT, RD HD SQ NK, 5/16-18 X 3/4
	70931277	2	LOCKNUT, SERR FLANGE, 5/16-18
	71410030	1	SHIELD ASY, 40" (EFF. S/N HR36101)
	7700461	4	BOLT, RD HD SQ NK, 5/16-18 X 3/4
	70921332	3	CAPSCREW, 5/16-18 X 3/4
	70931277	7	LOCKNUT, SERR FLANGE, 5/16-18

CONTINUED

MC00404
PR: 320

SIDE SHIELDS
RIGHT SIDE



**9790 COMBINE
SHIELDS**

535

**SIDE SHIELDS
RIGHT SIDE**

ITEM	NUMBER	QTY	DESCRIPTION
25	71397311R	1	CUTOFF, ROTARY SCREEN(PRIOR S/N HR36101)
	71410032	1	CUTOFF, ROTARY SCREEN (EFF. S/N HR36101)
	70937649	5	RIVET, 3/16 X .277 RED
26	71397313	1	MOUNT PANEL, DEFLCTR (PRIOR S/N HR36101)
	71410033	1	MOUNT PANEL, DEFLCTR (EFF. S/N HR36101)
	70921332	3	CAPSCREW, 5/16-18 X 3/4
	7700461	2	BOLT, RND HD SQ NK, 5/16-18 X 3/4
	70931277	5	LOCKNUT, SERR FLANGE, 5/16-18
27	71394425R	1	DEFLECTOR, ROT SCREEN(PRIOR S/N HR36101)
	71410031	1	DEFLECTOR, ROT SCREEN (EFF. S/N HR36101)
	7700461	2	BOLT, RD HD SQ NK, 5/16-18 X 3/4
	70931277	2	LOCKNUT, SERR FLANGE, 5/16-18
28	71410038	1	BRACE, SHIELD (EFF. S/N HR36101)
	7700461	2	BOLT, RD HD SQ NK, 5/16-18 X 3/4
	70931277	2	LOCKNUT, SERR FLANGE, 5/16-18
29	71394865R	1	STRAP, SHIELD SUPPORT
	70921965	4	CAPSCREW, 3/8-16 X 3/4
	70917378	4	WASHER, 3/8 NOM
	70916965	4	LOCKWASHER, 3/8
	70916950	4	NUT, HEX 3/8
30	71399198	1	BRACKET WLDMT, RH [A]
	7703457	4	CAPSCREW, 1/4-20 X 3/4
	1703354	4	NUT, HEX FLANGE TOP LOCK, 1/4-20
31	Y58040	2	SPRING [A]
32	71399326	2	PIN, LATCH [A]
	70924764	2	PIN, SPRING, 1/8 X 3/4
33	71399199	1	BRACKET WLDMT, LH [A]
	7703457	4	CAPSCREW, 1/4-20 X 3/4
	1703354	4	NUT, HEX FLANGE TOP LOCK, 1/4-20
34	71410037	1	BRACE STRAP (EFF. S/N HR36101)
	70921332	1	CAPSCREW, 5/16-18 X 3/4
	70917642	1	WASHER, 5/16, WIDE
	70917356	1	LOCKWASHER, 5/16
35	71410035	1	SHIELD, BIN (EFF. S/N HR36101)
	7700461	1	BOLT, RND HD SQ NK, 5/16-18 X 3/4
	70931277	1	LOCKNUT, SERR FLANGE, 5/16-18
	70921332	2	CAPSCREW, 5/16-18 X 3/4
	70917642	2	WASHER, 5/16, WIDE
36	70917356	2	LOCKWASHER, 5/16
	71410036	1	ANGLE, ROTARY SCREEN (EFF. S/N HR36101)
37	71397312	1	BRACE STRAP (EFF. S/N HR36101)
	70931317	1	BOLT, RND HD SQ NK, 1/4-20 X 3/4
	70931209	1	LOCKNUT, SERR FLANGE, 1/4-20

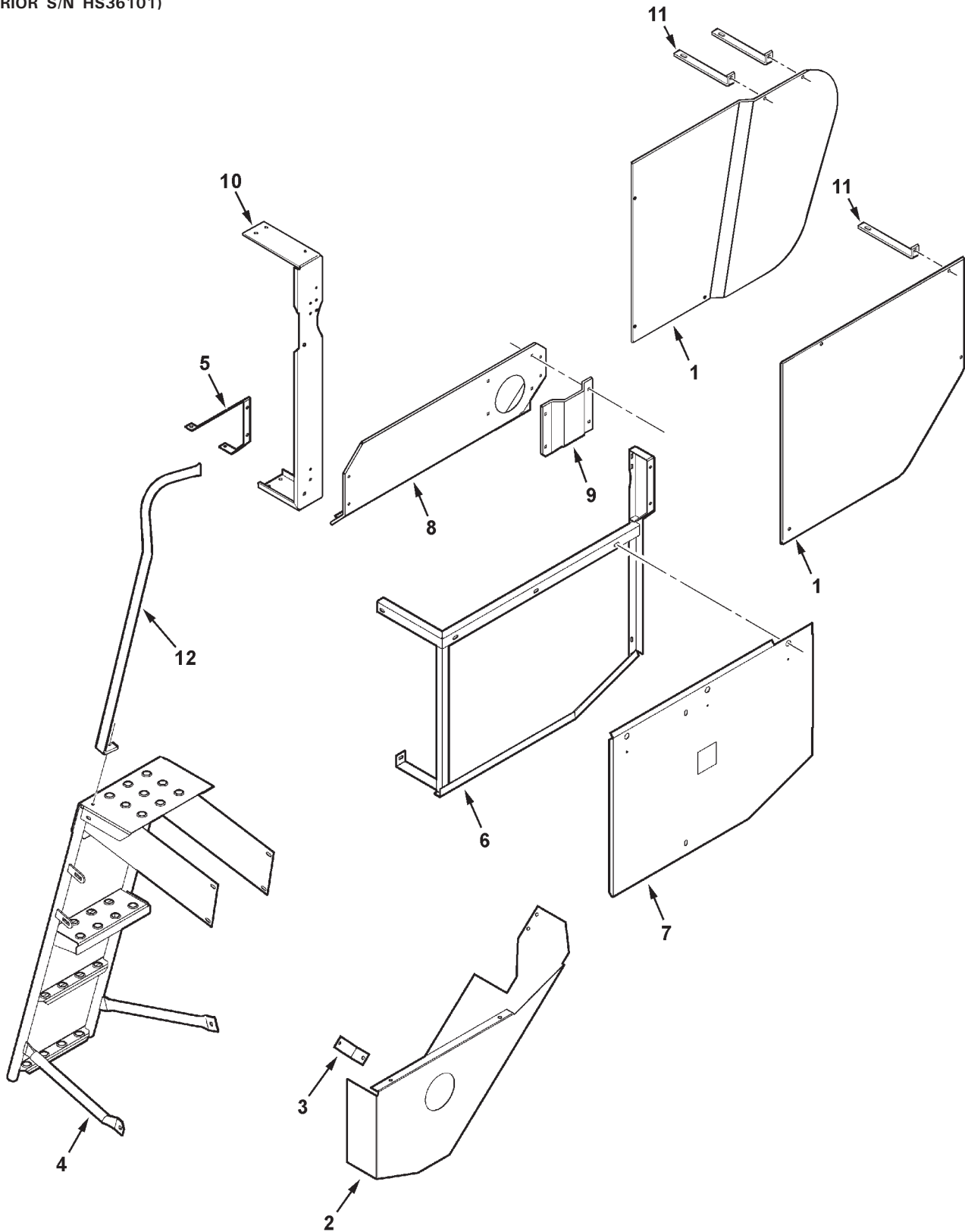
[A] ITEMS 30,31,32,33, EFF. S/N HN36101

MC00404
PR: 320

536

9790 COMBINE
SHIELDS

MUD SHIELDS
RIGHT SIDE
(PRIOR S/N HS36101)



MC00272

**9790 COMBINE
SHIELDS**

537

**MUD SHIELDS
RIGHT SIDE
(PRIOR S/N HS36101)**

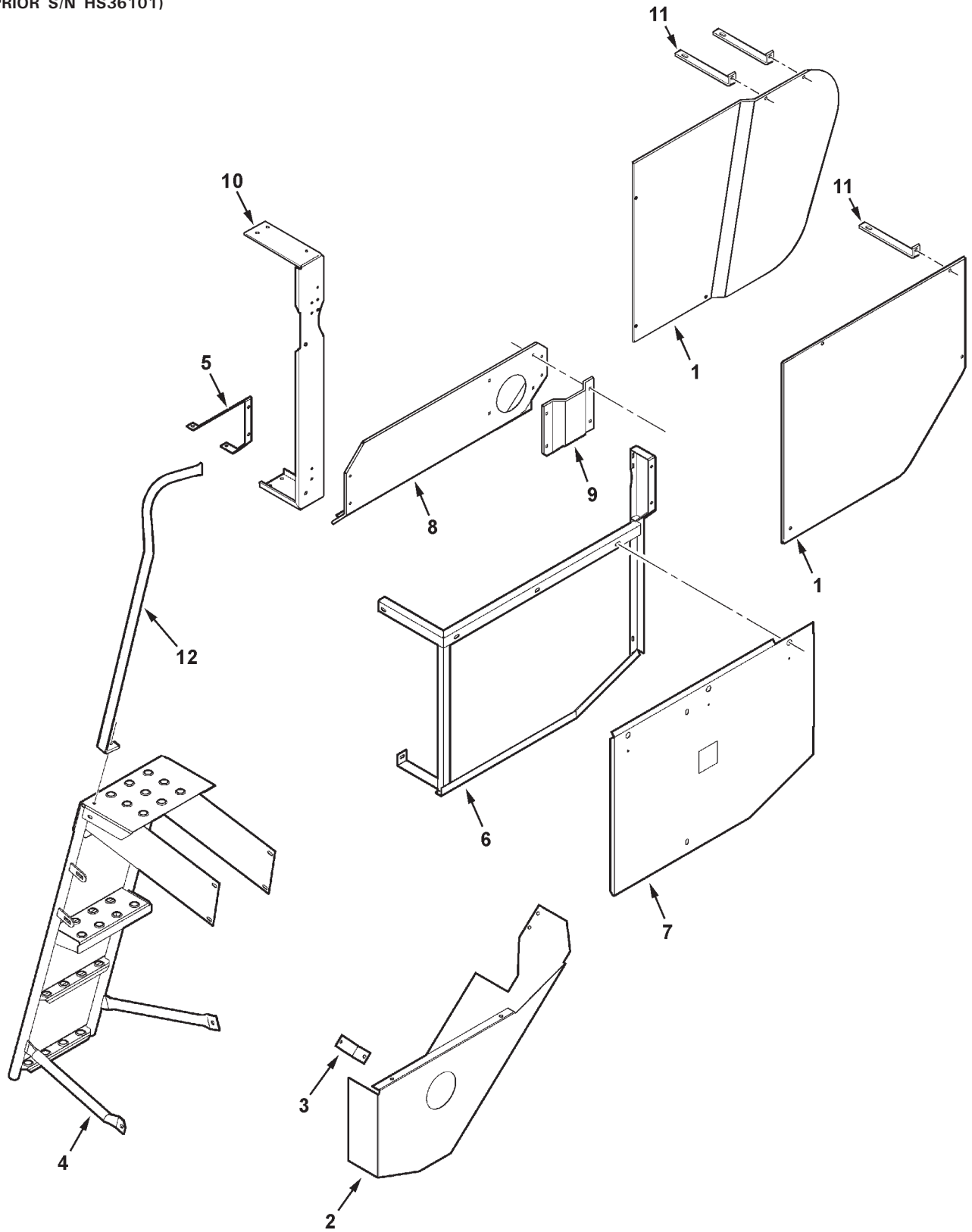
ITEM	NUMBER	QTY	DESCRIPTION
1	71390910	1	SHIELD, RIGHT FRONT (PRIOR S/N HP36101)
	71401643	1	SHIELD, MUD, RIGHT (EFF. S/N HP36101)
	70921210	4	CAPSCREW, 3/8-16 X 1 GR5
	70917378	4	WASHER, 3/8, WIDE
	70916965	4	LOCKWASHER, 3/8
2	70916950	4	NUT, 3/8-16 REG
	71391112	1	SHIELD, RIGHT, LOWER FAN
	70921210	2	CAPSCREW, 3/8-16 X 1 GR5
	70917378	2	WASHER, 3/8, WIDE
	70916965	2	LOCKWASHER, 3/8
3	70916950	2	NUT, 3/8-16 REG
	71395991	1	ANGLE BRACKET, R.H. FAN SHIELD
	70921210	2	CAPSCREW, 3/8-16 X 1 GR5
	70917378	2	WASHER, 3/8, WIDE
4	Y704734	2	NUT, HEX FLANGE TOP LOCK, 3/8-16
	71403624B	1	LADDER WLMT, INSPECTION
	70921210	4	CAPSCREW, 3/8-16 X 1 GR5
	70917378	8	WASHER, 3/8, WIDE
	70916965	4	LOCKWASHER, 3/8
5	70916950	4	NUT, 3/8-16 REG
	71395984	1	BRACKET WLDMT
	70921210	2	CAPSCREW, 3/8-16 X 1 GR5
	70916965	2	LOCKWASHER, 3/8
6	70916950	2	NUT, 3/8-16 REG
	71393924	1	FRAME WLDMT, RIGHT SHIELD
	701235	1	CAPSCREW, 1/2-13 X 1-1/2
	70918431	1	WASHER, 1/2 NOM
	Y705046	1	LOCKWASHER, 1/2
7	704031	1	NUT, 1/2-13
	71391620	1	MUD SHIELD WLDMT, RIGHT REAR
	111670W1	1	DECAL, WARNING
	863415	3	PIN, KLIK
	1656110W2	3	PIN, SHIELD LOCK
	70921333	2	CAPSCREW, 5/16-18 X 1 GR5
	70917642	2	WASHER, 5/16
	70917356	2	LOCKWASHER, 5/16
	70917372	2	NUT, 5/16-18
	70921210	4	CAPSCREW, 3/8-16 X 1 GR5
	70917378	4	WASHER, 3/8, WIDE
	70916965	4	LOCKWASHER, 3/8
	70916950	4	NUT, 3/8-16 REG
8	71397303	1	SHIELD WLDMT, RIGHT UPPER
	7883325	5	SCR, HEX WSHR HD MACH, 5/16-18 X 3/4

CONTINUED

MC00272
PR: 324

9790 COMBINE
SHIELDS

MUD SHIELDS
RIGHT SIDE
(PRIOR S/N HS36101)



**9790 COMBINE
SHIELDS**

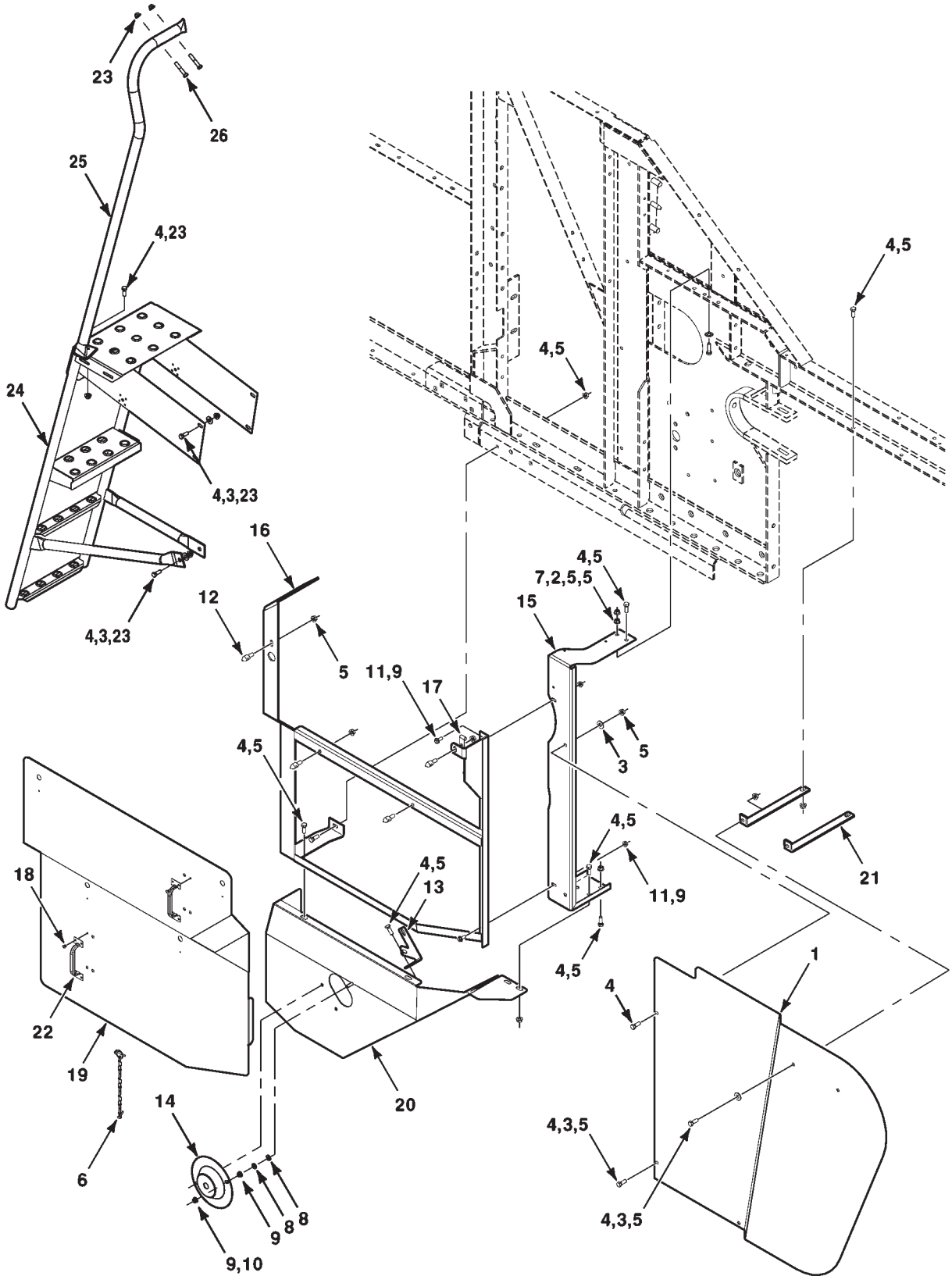
539

**MUD SHIELDS
RIGHT SIDE
(PRIOR S/N HS36101)**

ITEM	NUMBER	QTY	DESCRIPTION
9	71395993	1	SHIELD, RH, BEATER SHAFT
	360503X1	4	BOLT, RD HD SQ NECK,- 5/16-18 X 1
	Y705020	4	LOCKWASHER, 5/16
	70917372	4	NUT, 5/16-18
	70933988	4	SPEED NUT, 5/16
10	71391113	1	CHANNEL, RH MUDSHIELD(PRIOR S/N HP36101)
	71401661	1	CHANNEL, RH MUDSHIELD (EFF. S/N HP36101)
	70921210	4	CAPSCREW, 3/8-16 X 1 GR5
	70917378	2	WASHER, 3/8, WIDE
	70916965	4	LOCKWASHER, 3/8
	70916950	4	NUT, 3/8-16 REG
11	71390911	1	STRAP, STANDOFF, FRT (PRIOR S/N HP36101)
	71401645	2	STRAP, STANDOFF, FRT (EFF. S/N HP36101)
	70921210	2	CAPSCREW, 3/8-16 X 1 GR5
	70916965	2	LOCKWASHER, 3/8
	70916950	2	NUT, 3/8-16 REG
12	71398721	1	HANDRAIL (EFF. S/N HN87101)
	7701634	2	CAPSCREW, 3/8-16 X 2 GR5
	70921210	1	CAPSCREW, 3/8-16 X 1 GR5
	Y704734	3	NUT, HEX FLANGE TOP LOCK, 3/8-16

MCO0272
PR: 324

MUD SHIELDS
RIGHT SIDE
(EFF. S/N HS36101)



**9790 COMBINE
SHIELDS**

541

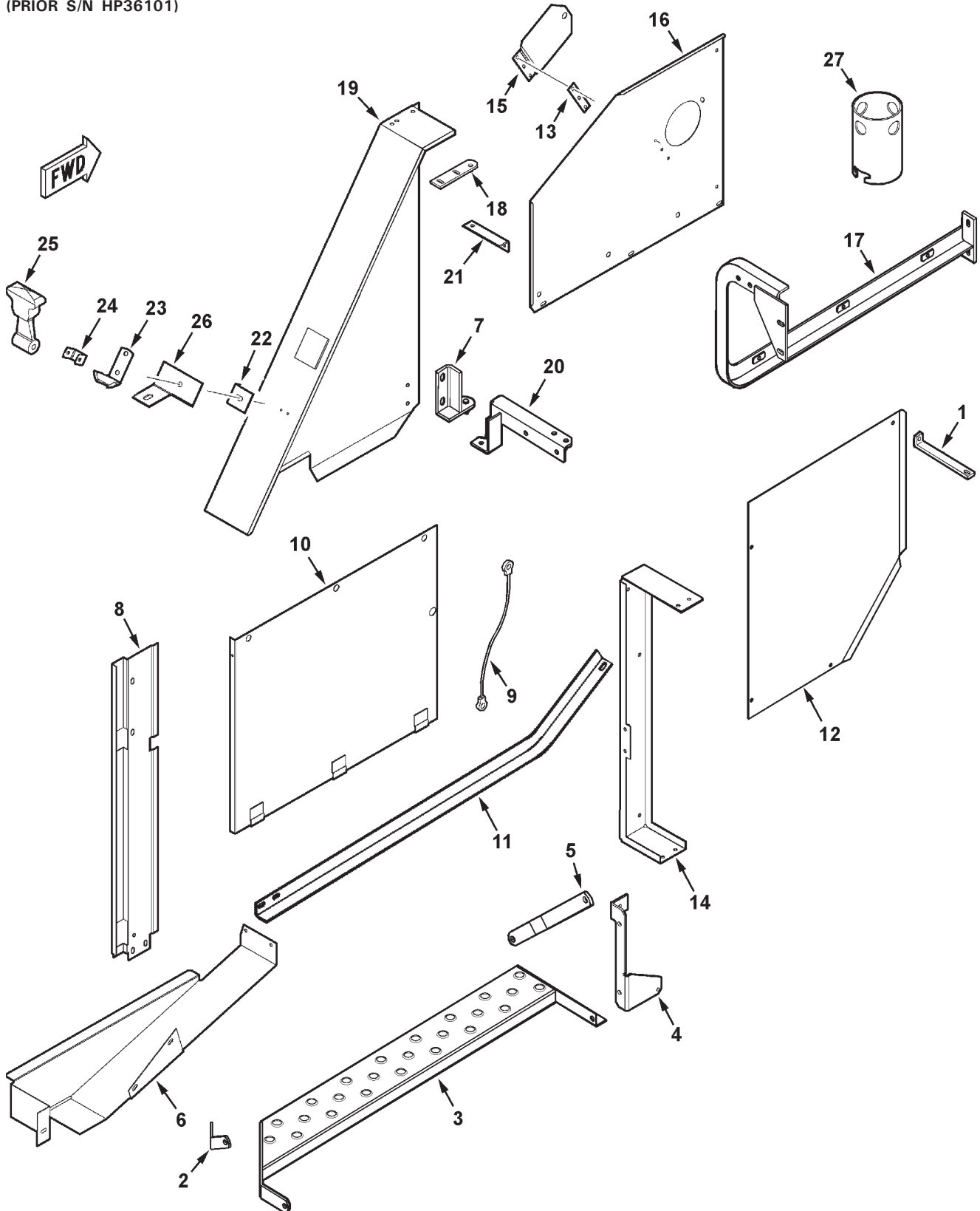
**MUD SHIELDS
RIGHT SIDE
(EFF. S/N HS36101)**

ITEM	NUMBER	QTY	DESCRIPTION
1	71410976	1	SHIELD-MUD, R
2	7705205	1	LOCKWASHER, 3/8 INT/EXT TOOTH
3	70917378	7	WASHER, 3/8 WIDE
4	70921210	15	CAPSCREW, 3/8-16 X 1.0
5	704247	21	NUT, HEX SERR FLANGE, 3/8-16
6	863415	4	KLIK PIN, 3/16, W/ CHAIN & COTTER
7	70920415	1	CAPSCREW, 3/8-16 X 1-1/4
8	Y705525	4	WASHER, 5/16, HARD
9	70931277	6	LOCKNUT, SERR FLANGE, 5/16-18
10	7883333	2	SCREW, HEX WSHR HD MACH, 5/16-18 X 1
11	7883325	2	SCREW, HEX WSHR HD MACH, 5/16-18 X 3/4
12	1656110W2	4	PIN-CENTER, SHIELD LOCK
13	71410115	1	BRACKET-MUDSHIELD
14	71411373	1	CAP
15	71410075	1	CHANNEL-MUD SHIELD, R
16	71410998	1	FRAME WLMT
17	70937685	1	J-CLIP, 3/8 DIA X .406 HOLE
18	70924837	8	POP-RIVET, .188 X .063-.125 GRIP
19	71418128	1	SHIELD WLMT
20	71411372	1	SHIELD-LOWER
21	71401645	2	STRAP, STANDOFF
22	71304149	2	HANDLE
23	Y704734	8	NUT, HEX FLANGE TOP LOCK, 3/8-16
24	71403624B	1	LADDER WA, INSPECTION
25	71398721	1	HANDLE-INSPECTION LADDER
26	70923701	2	CAPSCREW, 3/8-16 X 2 GR5

MC00566
PR: t07a23o20b0011

9790 COMBINE
SHIELDS

MUD SHIELDS
LEFT SIDE
(PRIOR S/N HP36101)



**9790 COMBINE
SHIELDS**

543

**MUD SHIELDS
LEFT SIDE
(PRIOR S/N HP36101)**

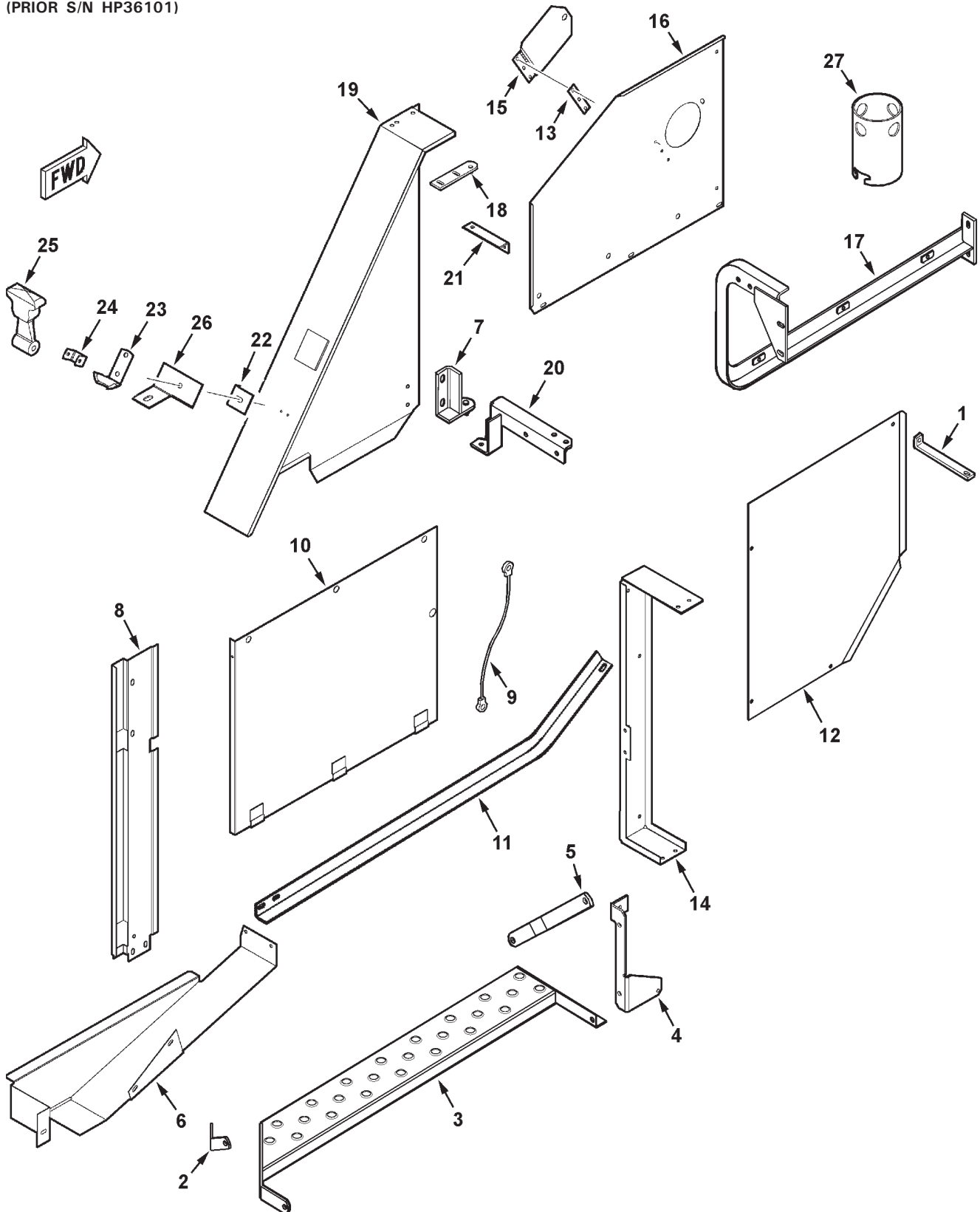
ITEM	NUMBER	QTY	DESCRIPTION
1	71390911	1	STRAP, STANDOFF, FRONT SHIELD
	70920415	2	CAPSCREW, 3/8-16 X 1-1/4
	70916965	2	LOCKWASHER, 3/8
	70916950	2	NUT, 3/8-16
2	71393919	1	STRAP, STEP SUPPORT, PROCESSOR
3	-----	1	STEP WLDMT, LEFT, PROCESSOR (SERVICE W/ 71399870)
	71399870	1	STEP WLDMT, LEFT, PROCESSOR (MUST USE 71400383 STRAP, ITEM 5)
	70921176	3	CAPSCREW, 1/2-13 X 1-1/4
	Y705046	3	LOCKWASHER, 1/2
	704031	3	NUT, 1/2-13
	70921965	2	CAPSCREW, 3/8-16 X 3/4 GR5
	70917378	2	WASHER, 3/8 NOM
	70916965	2	LOCKWASHER, 3/8
	70916950	2	NUT, 3/8-16
4	71391181	1	SUPPORT, FRONT, PROCESSOR STEP
5	71400383	1	STRAP, PROCESSOR STEP
	70921176	4	CAPSCREW, 1/2-13 X 1-1/4
	Y705046	4	LOCKWASHER, 1/2
	704031	4	NUT, 1/2-13
6	71390913	1	SHIELD, ELEVATOR DRIVE, LEFT
	70921210	2	CAPSCREW, 3/8-16 X 1 GR5
	70917378	2	WASHER, 3/8 NOM
	70916965	2	LOCKWASHER, 3/8
	70916950	2	NUT, 3/8-16
7	101218M91	1	HINGE BRKT WLDMT, LOWER
	70918452	1	PIN, COTTER, 3/32 X 3/4
	70921210	2	CAPSCREW, 3/8-16 X 1 GR5
	70917378	2	WASHER, 3/8 NOM
	70916965	2	LOCKWASHER, 3/8
	70916950	2	NUT, 3/8-16
8	71388912	1	SUPPORT, LEFT SHIELD
	70921210	2	CAPSCREW, HEX, 3/8-16 X 1
	70917378	2	WASHER, WIDE FLAT, 3/8
	70916965	2	LOCKWASHER, 3/8
	70916950	2	NUT, HEX, 3/8-16 UNC

CONTINUED

MCO0359
PR: 328

9790 COMBINE
SHIELDS

MUD SHIELDS
LEFT SIDE
(PRIOR S/N HP36101)



**9790 COMBINE
SHIELDS**

545

**MUD SHIELDS
LEFT SIDE
(PRIOR S/N HP36101)**

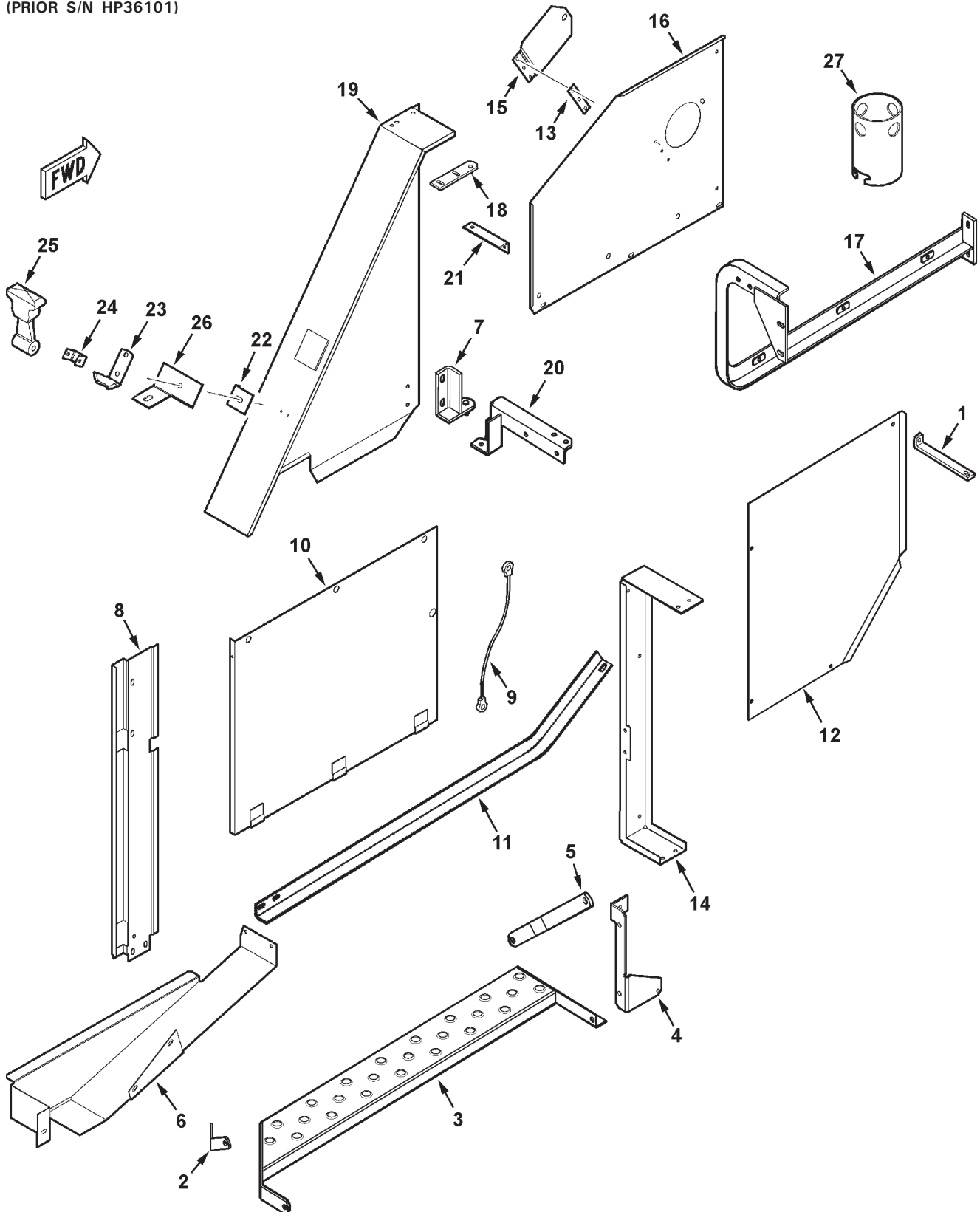
ITEM	NUMBER	QTY	DESCRIPTION
9	112942W1	1	TETHER STRAP, 28IN.
	7703457	1	CAPSCREW, 1/4-20 X 3/4
	70917377	1	WASHER, 1/4 NOM
	1703354	1	FLANGE NUT, 1/4-20
10	71394303	1	SHIELD WLDMT, LEFT
	111670W1	1	DECAL, WARNING
	70921210	4	CAPSCREW, 3/8-16 X 1 GR5
	70917378	4	WASHER, 3/8 NOM
	70916965	4	LOCKWASHER, 3/8
11	70916950	4	NUT, 3/8-16
	102158M1	1	ANGLE, SHIELD SUPPORT
	70921210	1	CAPSCREW, HEX, 3/8-16 X 1
	70917378	1	WASHER, WIDE FLAT, 3/8
	70916965	1	LOCKWASHER, 3/8
12	70916950	1	NUT, HEX, 3/8-16 UNC
	71390909	1	SHIELD, LEFT FRONT
	70921965	1	CAPSCREW, 3/8-16 X 3/4 GR5
	70921210	2	CAPSCREW, HEX, 3/8-16 X 1
	70916965	3	LOCKWASHER, 3/8
13	70916950	2	NUT, HEX, 3/8-16 UNC
	2555190W1	1	SPACER, DOOR
	71404306B	1	CHANNEL, LEFT MUD SHIELD
	70921210	4	CAPSCREW, 3/8-16 X 1 GR5
14	70916965	4	LOCKWASHER, 3/8
	70916950	4	NUT, 3/8-16
	104916W91	1	COVER WLDMT, LEFT SHIELD
	1656110W2	1	PIN, SHIELD LOCK
	863415	1	PIN, KLIK
	70917378	1	WASHER, WIDE FLAT, 3/8
	70916965	1	LOCKWASHER, 3/8
	70916950	1	NUT, HEX, 3/8-16 UNC
	7703457	3	CAPSCREW, 1/4-20 X 3/4
	70917377	3	WASHER, 1/4 NOM
15	705012	3	LOCKWASHER, 1/4
	70916622	3	NUT, 1/4-20
	71391624	1	SHIELD, UPPER LEFT
	863415	3	PIN, KLIK
	1656110W2	3	PIN, SHIELD LOCK
	70921965	3	CAPSCREW, 3/8-16 X 3/4 GR5
	70921210	4	CAPSCREW, 3/8-16 X 1 GR5
	70917378	8	WASHER, 3/8 NOM
	70916965	10	LOCKWASHER, 3/8
	70916950	10	NUT, 3/8-16

CONTINUED

MCO0359
PR: 328

9790 COMBINE
SHIELDS

MUD SHIELDS
LEFT SIDE
(PRIOR S/N HP36101)



**9790 COMBINE
SHIELDS**

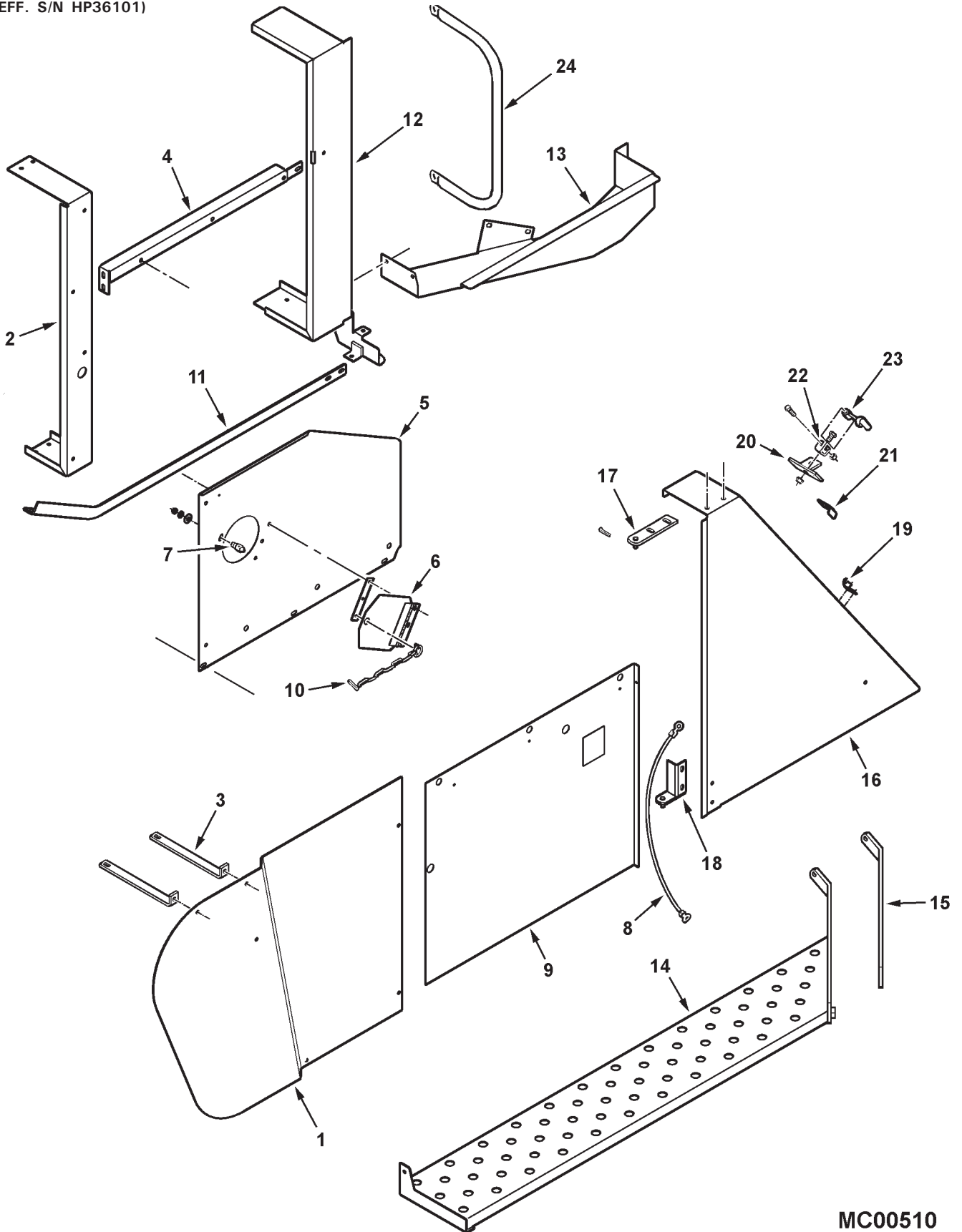
547

**MUD SHIELDS
LEFT SIDE
(PRIOR S/N HP36101)**

ITEM	NUMBER	QTY	DESCRIPTION
17	71393923	1	ANGLE WLDMT, LEFT MUD SHIELD
	70921210	2	CAPSCREW, 3/8-16 X 1 GR5
	70917378	2	WASHER, 3/8 NOM
	70916965	2	LOCKWASHER, 3/8
	70916950	2	NUT, 3/8-16
18	101221M92	1	HINGE WLDMT, UPPER
	70918452	1	COTTER PIN
19	71394306	1	GUARD WLDMT, DRIVE
	70921210	2	CAPSCREW, 3/8-16 X 1 GR5
	70917378	2	WASHER, 3/8 NOM
	70916965	2	LOCKWASHER, 3/8
	70916950	2	NUT, 3/8-16
20	71393921	1	SUPPORT WLDMT, LH SHIELD
21	102237M1	1	ANGLE, LH SHIELD
	70921210	2	CAPSCREW, HEX, 3/8-16 X 1
	70917378	2	WASHER, WIDE FLAT, 3/8
	70916965	2	LOCKWASHER, 3/8
	70916950	2	NUT, HEX, 3/8-16 UNC
22	101232M1	1	STOP BRACKET, GUARD
23	7025075	1	BRACKET, CATCH
	70916079	2	SCREW, RND HD MACH, #10-24 X 3/8
	705004	2	LOCKWASHER, #10
	70916621	2	NUT, HEX, #10-24 UNC
24	1787520W1	1	ANCHOR BRACKET, RUBBER LATCH
	70921332	1	CAPSCREW, 5/16-18 X 3/4
	Y705020	1	LOCKWASHER, 5/16
	70917372	1	NUT, 5/16-18 REG
25	776682	1	HOOK, RUBBER
	70921962	1	CAPSCREW, 1/4-20 X 1-3/4
	1703354	1	NUT, HEX FLANGE TOP LOCK, 1/4-20
26	101231M1	1	BRACKET, LATCH
	70920415	1	CAPSCREW, 3/8-16 X 1-1/4 GR5
	70919378	1	WASHER, 3/8, WIDE
	Y704734	1	NUT, 3/8-16 REG
27	104500W1	1	TUBE, BEATER UNPLUG

MC00359
PR: 328

MUD SHIELDS
LEFT SIDE
(EFF. S/N HP36101)



**9790 COMBINE
SHIELDS**

549

**MUD SHIELDS
LEFT SIDE
(EFF. S/N HP36101)**

ITEM	NUMBER	QTY	DESCRIPTION
1	71408217	1	MUD SHIELD, LEFT FRT (PRIOR S/N HS36101)
	71409457	1	MUD SHIELD, LEFT FRT (EFF. S/N HS36101)
	70921210	2	CAPSCREW, 3/8-16 X 1 GR5
	70921332	2	CAPSCREW, 5/16-18 X 3/4 GR5
	70917642	2	WASHER, 5/16, WIDE
	70917378	2	WASHER, 3/8, WIDE
	Y704726	2	NUT, HEX FLANGE TOP LOCK, 5/16-18
	Y704734	2	NUT, HEX FLANGE TOP LOCK, 3/8-16
2	71404306	1	CHANNEL, LEFT MUD SHIELD
	70921210	4	CAPSCREW, 3/8-16 X 1 GR5
	Y704734	4	NUT, HEX FLANGE TOP LOCK, 3/8-16
3	71401645	2	STRAP, STANDOFF, MUD SHIELD
	70921210	2	CAPSCREW, 3/8-16 X 1 GR5
	70917378	2	WASHER, 3/8, WIDE
	Y704734	2	NUT, HEX FLANGE TOP LOCK, 3/8-16
4	71401470	1	ANGLE WLDMT, LEFT MUD SHIELD
	70921210	2	CAPSCREW, 3/8-16 X 1 GR5
	70921965	1	CAPSCREW, 3/8-16 X 3/4 GR5
	70917378	1	WASHER, 3/8, WIDE
	Y704734	3	NUT, HEX FLANGE TOP LOCK, 3/8-16
5	71391624	1	SHIELD, UPPER LEFT
	70921210	2	CAPSCREW, 3/8-16 X 1 GR5
	70921965	3	CAPSCREW, 3/8-16 X 3/4 GR5
	705038	3	LOCKWASHER, 3/8
	70917378	3	WASHER, 3/8, WIDE
	Y704734	2	NUT, HEX FLANGE TOP LOCK, 3/8-16
6	104916W91	1	COVER WLDMT, LEFT SHIELD
	2555190W1	1	SPACER, DOOR
	7703457	3	CAPSCREW, 1/4-20 X 3/4
	70917377	3	WASHER, 1/4, WIDE
	1703354	3	NUT, HEX FLANGE TOP LOCK, 1/4-20
7	1656110W2	4	PIN, SHIELD LOCK
	70917378	4	WASHER, 3/8, WIDE
	705038	4	LOCKWASHER, 3/8
	70916950	4	NUT, 3/8-16 REG
8	112942W1	1	TETHER STRAP, 28IN.
	7703457	1	CAPSCREW, 1/4-20 X 3/4 GR5
	70917377	1	WASHER, 1/4, WIDE
	1703354	1	NUT, HEX FLANGE TOP LOCK, 1/4-20
9	71394303	1	SHEET WLMT, LEFT, W/ DECAL
10	863415	4	PIN-KLIK, W/ CHAIN
11	71404305	1	ANGLE, BOTTOM SUPPORT, LH
	70921210	1	CAPSCREW, 3/8-16 X 1 GR5
	70921965	1	CAPSCREW, 3/8-16 X 3/4 GR5
	70917378	1	WASHER, 3/8, WIDE
	Y704734	2	NUT, HEX FLANGE TOP LOCK, 3/8-16

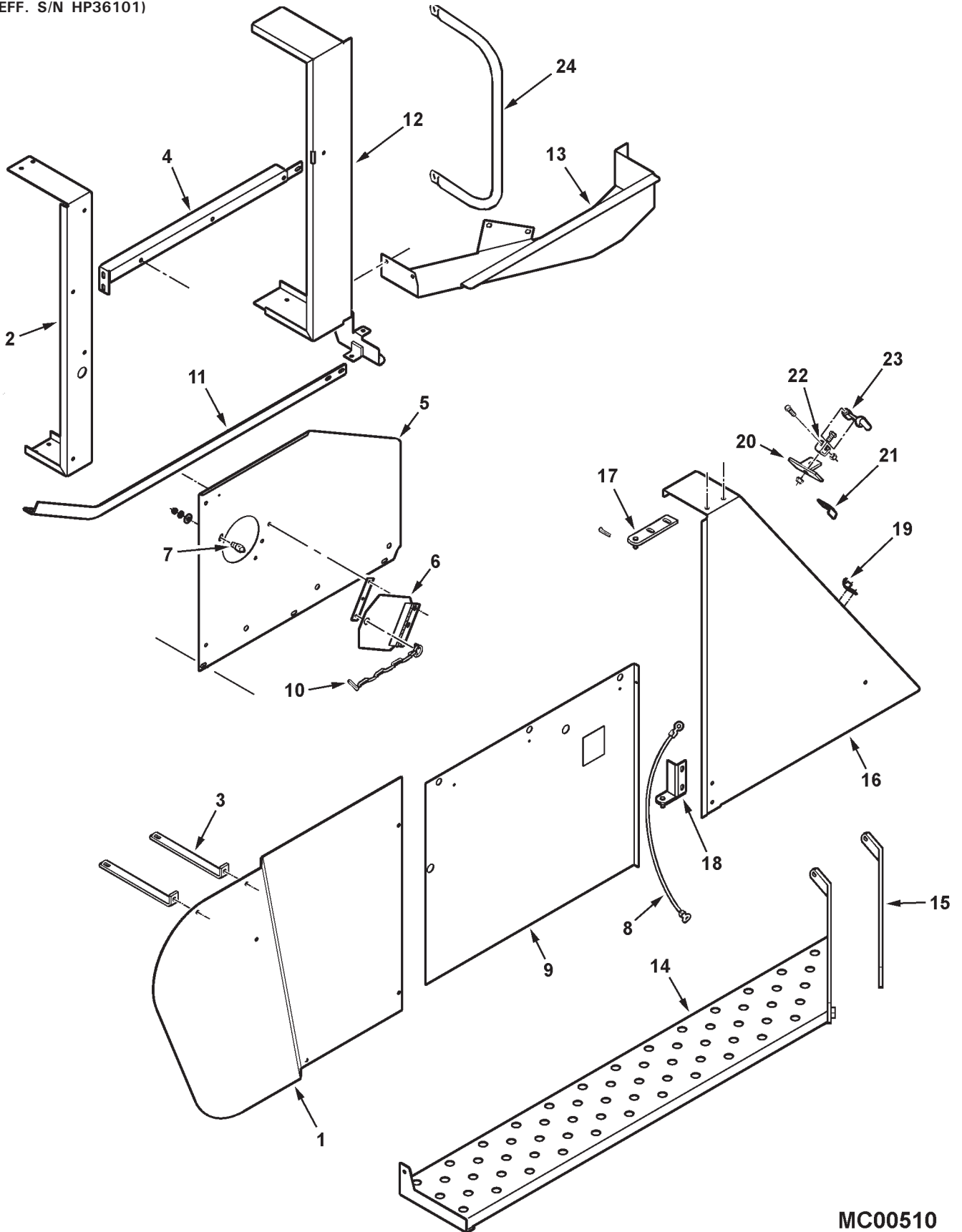
CONTINUED

MC00510
PR: t05b08m42d0020

550

9790 COMBINE
SHIELDS

MUD SHIELDS
LEFT SIDE
(EFF. S/N HP36101)



MC00510

**9790 COMBINE
SHIELDS**

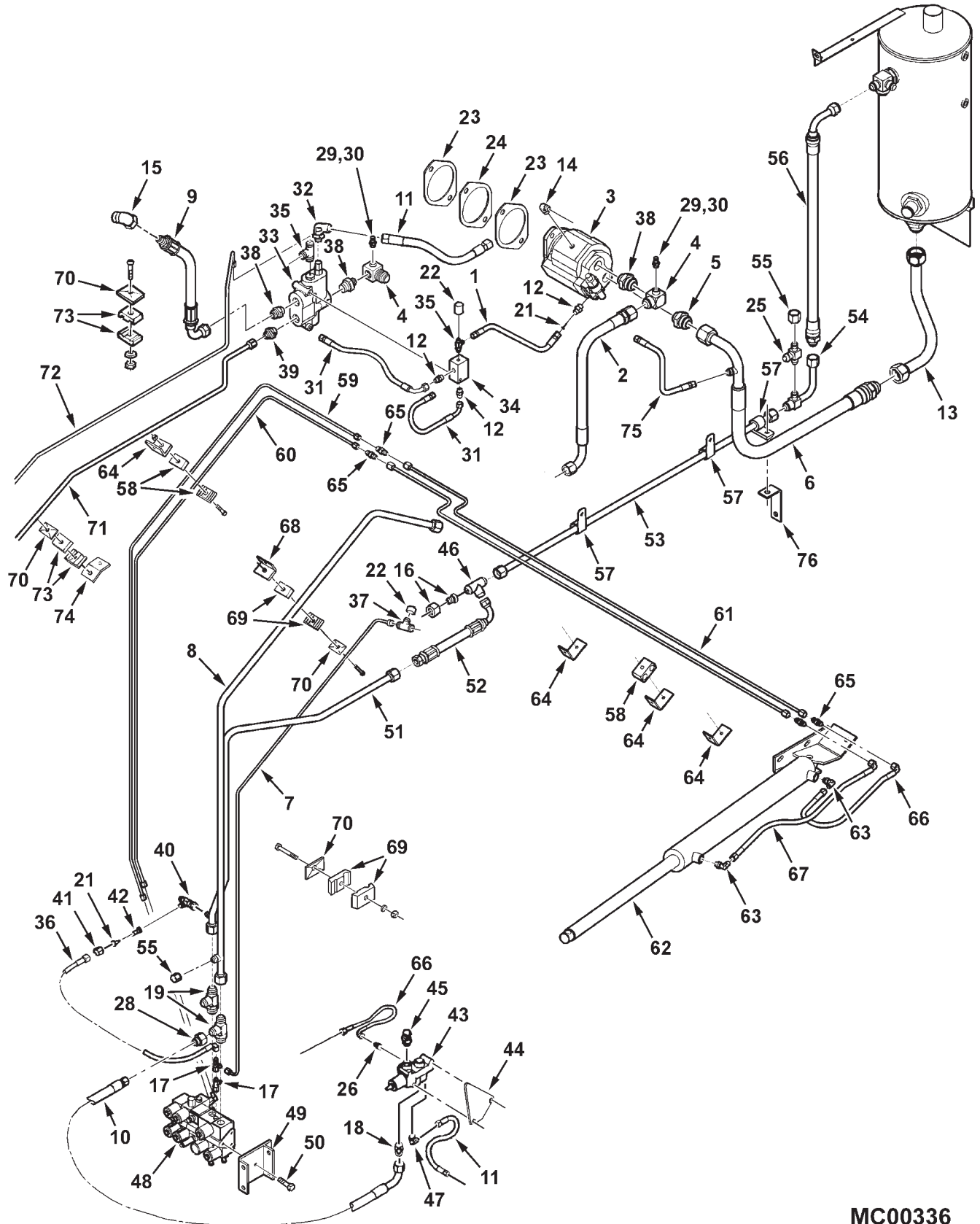
551

**MUD SHIELDS
LEFT SIDE
(EFF. S/N HP36101)**

ITEM	NUMBER	QTY	DESCRIPTION
12	71401468	1	CHANNEL WLDMT, LEFT
	70921210	2	CAPSCREW, 3/8-16 X 1 GR5
	70921965	1	CAPSCREW, 3/8-16 X 3/4 GR5
	70917378	2	WASHER, 3/8, WIDE
	Y704734	3	NUT, HEX FLANGE TOP LOCK, 3/8-16
13	71390913	1	SHIELD, ELEVATOR DRIVE, LEFT
	70921210	2	CAPSCREW, 3/8-16 X 1 GR5
	70921965	3	CAPSCREW, 3/8-16 X 3/4 GR5
	70917378	3	WASHER, 3/8, WIDE
	Y704734	5	NUT, HEX FLANGE TOP LOCK, 3/8-16
14	71401463	1	STEP WLDMT, LEFT, PROCESSOR
	70921965	3	CAPSCREW, 3/8-16 X 3/4 GR5
	Y704734	3	NUT, HEX FLANGE TOP LOCK, 3/8-16
	70921176	1	CAPSCREW, 1/2-13 X 1-1/4 GR5
	Y704742	1	NUT, HEX FLANGE TOP LOCK, 1/2-13
15	71393919	1	STRAP, STEP SUPPORT, PROCESSOR
	70921176	2	CAPSCREW, 1/2-13 X 1-1/4 GR5
	Y704742	2	NUT, HEX FLANGE TOP LOCK, 1/2-13
16	71404303	1	GUARD, DRIVES, W/ DECAL
17	101221M92	1	HINGE WLDMT, UPPER GUARD
18	101218M91	1	HINGE WLDMT, LOWER GUARD
	70921210	4	CAPSCREW, 3/8-16 X 1 GR5
	70917378	4	WASHER, 3/8, WIDE
	Y704734	4	NUT, HEX FLANGE TOP LOCK, 3/8-16
19	7025075	1	BRACKET, CATCH
	70916080	2	SCREW, RND HD MACH, #10-24 X 1/2
	705004	2	LOCKWASHER, #10
	70916621	2	NUT, HEX, #10-24 UNC
20	101231M1	1	BRACKET, LATCH
	70920415	1	CAPSCREW, 3/8-16 X 1-1/4 GR5
	70917378	1	WASHER, 3/8, WIDE
	Y704734	1	NUT, HEX FLANGE TOP LOCK, 3/8-16
21	101232M1	1	STOP BRACKET, GUARD
22	1787520W1	1	ANCHOR BRACKET, RUBBER LATCH
	70921332	1	CAPSCREW, 5/16-18 X 3/4 GR5
	Y704726	1	NUT, HEX FLANGE TOP LOCK, 5/16-18
23	776682	1	HOOK, RUBBER
	70921962	1	CAPSCREW, 1/4-20 X 1-3/4
	1703354	1	NUT, HEX FLANGE TOP LOCK, 1/4-20
24	71397286	1	HANDLE, ASSIST
	70921210	2	CAPSCREW, 3/8-16 X 1 GR5
	70917378	2	WASHER, 3/8, WIDE
	Y704734	2	NUT, HEX FLANGE TOP LOCK, 3/8-16

MC00510
PR: t05b08m42d0020

HYDRAULIC PUMP & LINES
(PRIOR S/N HR36101)



**9790 COMBINE
HYDRAULICS**

553

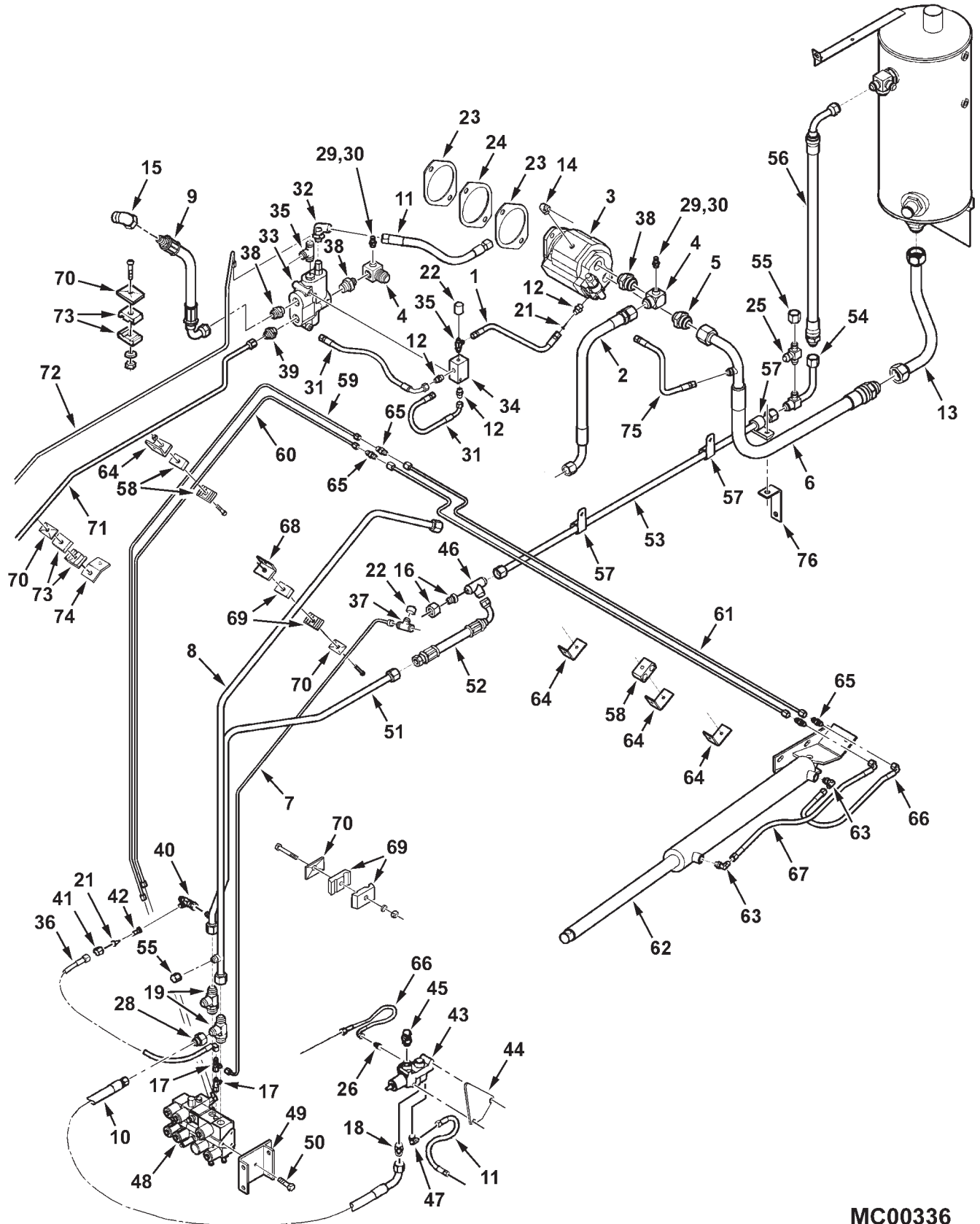
**HYDRAULIC PUMP & LINES
(PRIOR S/N HR36101)**

ITEM	NUMBER	QTY	DESCRIPTION
1	71392879	1	HOSE ASY, PUMP LS, 1/4
2	71392882	1	HOSE ASY, PUMP PRESSURE
3	71388864	1	PUMP, HYDRAULIC PISTON
	70950453	2	CAPSCREW, M12-1.75 X 35 CL8.8
	Y705624	2	WASHER, 1/2 NARROW
4	72526244	1	ELBOW, 90 DEG SPL, 1-5/16-12 JIC X ORB (VARIABLE LOCATION. ON PUMP PRIOR S/N HP36101)
	70921214	1	O-RING, .116 X 1.17 ID
5	70923343	1	STR CONN, 1-5/8-12 JIC X 1-5/8-12 ORB
	70921235	1	O-RING, .118 X 1.475 ID
6	71394139	1	HOSE ASY, PUMP SUCTION
7	112041W1	1	TUBE ASY, VALVE, LS (PRIOR MID. S/N HN36)(SERVICE W/71399150)
	71399150	1	TUBE ASY, VALVE, LS (EFF. MID S/N HN36...)
8	71394168	1	TUBE ASY, PRESS TO VALVE (PRIOR MID. S/N HN36)(SERVICE W/71399149)
	71399149	1	TUBE ASY, VALVE (EFF. MID. S/N HN36)
9	101588M1	1	HOSE ASY, PRIORITY VALVE OUT, 5/8
10	112050W1	1	HOSE ASY, PRESS TO REEL DRIVE VALVE
11	101650M1	2	HOSE ASY, PRIORITY VALVE RETURN
12	700701356	3	STR CONN, 7/16-20 JIC X 7/16-20 ORB
	70921883	1	O-RING, .072 X .35 ID
13	71394140	1	TUBE ASY, PUMP SUCTION
14	70922523	1	ELBOW, 90 DEG, 9/16-18 JIC X 9/16-18 ORB
	70921885	1	O-RING, .078 X .468 ID
15	70919624	1	ELBOW, 90 DEG, 1-1/16-12, MALE X SWIV FEM (PRIOR MID. S/N HN36)(USED W/TUBE ASY. 71394168)
16	70925852	1	REDUCER, 1-1/16-12 JIC X 9/16-18 MALE
	70919197	1	TUBE NUT, 1-1/16-12
17	700701355	2	TEE, SWIVEL RUN, 7/16-20 JIC
18	70921326	1	STR CONN, 7/8-14 JIC X ORB
	70921205	1	O-RING, .097 X .755 ID
19	70922181	2	TEE, ADJ ORB RUN, 1-1/16-12 JIC X ORB
	70921206	2	O-RING, .116 X .924 ID
21	286501M1	2	CONE FILTER, 1/4
22	700715848	2	CAP, 7/16-20 JIC
23	3929751	2	GASKET, ENGINE FACE & PUMP FACE
24	3902603	1	SPACER, PUMP (ORDER FROM CUMMINS)
25	70921298	1	TEE, SWIVEL RUN, 3/4-16 JIC (SEE ROTARY SCREEN MOTOR LINES)
26	70926292	1	STR CONN, 7/16-20 JIC X 9/16-18 ORB
	70921885	1	O-RING, .078 X .468 ID
28	700701744	1	REDUCER, 1-1/16-12 JIC X 3/4-16 MALE
29	71379303	1	COUPLER, DIAGNOSTIC, 9/16-18 ORB MALE
	70921885	1	O-RING, .078 X .468 ID
30	71379304	1	DUST CAP, HYD COUPLER
31	116640W1	2	HOSE ASY, SHUTTLE VALVE
32	70930510	1	ELBOW, 90 DEG, 9/16-18 JIC X 7/16-20 ORB
	70921883	1	O-RING, .072 X .35 ID
33	71391453	1	VALVE, PRIORITY FLOW DIVIDER
	772418	1	CAPSCREW, 5/16-18 X 3-1/2 GR5
	873026	1	CAPSCREW, 5/16-18 X 4-1/2 GR5
	70917372	1	NUT, 5/16-18 REG
	70917356	1	LOCKWASHER, 5/16 REG

CONTINUED

MC00336
PR: 364

HYDRAULIC PUMP & LINES
(PRIOR S/N HR36101)



9790 COMBINE
HYDRAULICS

555

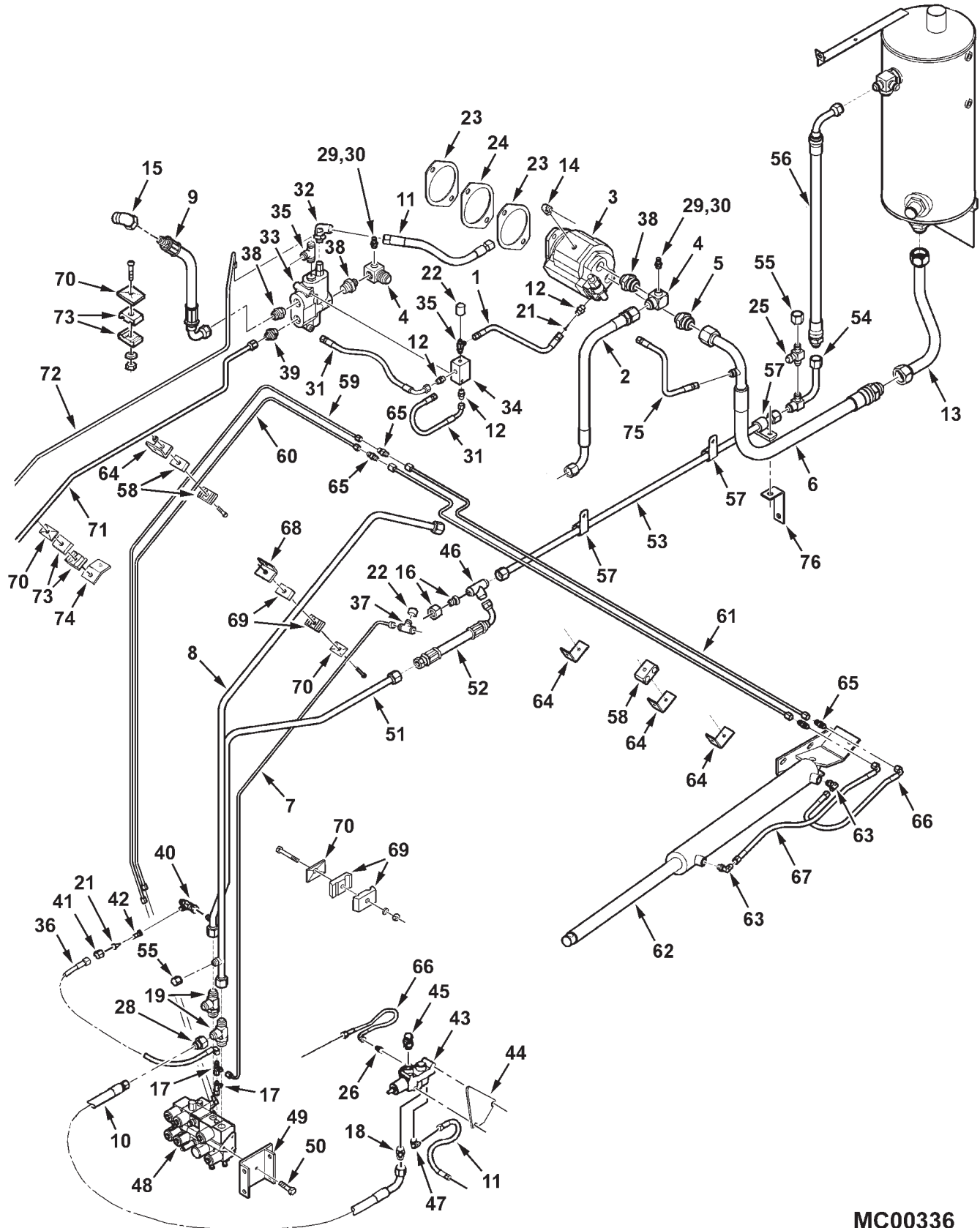
HYDRAULIC PUMP & LINES
(PRIOR S/N HR36101)

ITEM	NUMBER	QTY	DESCRIPTION
34	72525468	1	VALVE, SHUTTLE
35	70924783	2	TEE, ADJ ORB RUN, 7/16-20 JIC X ORB
	70921883	1	O-RING, .072 X .35 ID
36	71373538	1	HOSE ASY, LS DRAIN, 1/4
37	700701350	1	TEE, UNION, 7/16-20 JIC
38	70935768	2	STR CONN, 1-1/16-12 JIC X 1-5/16-12 ORB (VARIABLE LOCATION. QTY 2 ON VALVE PRIOR S/N HP36101)
	70921214	2	O-RING, .116 X 1.17 ID
39	700701753	1	STR CONN, 3/4-16 JIC X 1-1/16-12 ORB
	70921206	1	O-RING, .116 X .924 ID
40	70921297	1	TEE, SWIVEL RUN, 9/16-18 JIC
41	846204	1	TUBE NUT, 9/16-18
42	116644W1	1	FITTING, ORIFICE, 7/16-20 JIC
43	104135W91	1	VALVE, REEL DRIVE
	70921719	2	CAPSCREW, 5/16-18 X 2-1/2 GR5
	70917372	2	NUT, 5/16-18 REG
	Y705020	2	LOCKWASHER, 5/16 REG
44	71386414	1	PLATE, VALVE MTG
	70921332	2	CAPSCREW, 5/16-18 X 3/4 GR5
	70917372	2	NUT, 5/16-18 REG
	Y705020	2	LOCKWASHER, 5/16 REG
45	70921327	1	ELBOW, 90 DEG, 7/8-14 JIC X ORB
	70921205	1	O-RING, .097 X .755 ID
46	700701814	1	TEE, UNION, 1-1/16-12 JIC
47	70922523	1	ELBOW, 90 DEG, 9/16-18 JIC X 9/16-18 ORB
	70921885	1	O-RING, .078 X .468 ID
48	-----	1	VALVE STACK ASY (SEE BREAKDOWN)
49	108910W91	1	BRACKET WLDMT, VALVE
	70921176	4	CAPSCREW, 1/2-13 X 1-1/4 GR5
	Y705046	4	LOCKWASHER, 1/2 REG
	704031	4	NUT, 1/2-13 REG
50	70927340	3	CAPSCREW, 1/4-20 X 3/4 GR8
	353769X1	3	WASHER, 1/4, HARDENED
51	112174W1	1	TUBE ASY, RETURN
52	71394161	1	HOSE ASY, RETURN, 3/4
53	2629720W1	1	TUBE ASY,RTRN TO TANK(PRIOR S/N HP36101)
	71398138	1	TUBE ASY,RTRN TO TANK (EFF. S/N HP36101)
54	71388085	1	TUBE ASY,RTRN TO TANK(PRIOR S/N HP36101)
	71398142	1	TUBE ASY,RTRN TO TANK (EFF. S/N HP36101)
55	70923737	2	CAP, 3/4-16 JIC
56	71388086	1	HOSE ASY, RETURN TO TANK, 3/4
57	70926049	3	CLAMP, 3/4 DIA X .406 HOLE
	Y702951	2	SCR,HX WSHR HD,TAPPING, 3/8-16 X 3/4
	70921977	1	CAPSCREW, 5/16-18 X 1-1/4 GR5
	Y705608	1	WASHER, 5/16 NARROW
	Y704726	1	NUT, HEX FLANGE TOP LOCK, 5/16-18
58	148039M1	5	CLAMP PAIR, DOUBLE, 1/4 X 1/4 DIA
	70922837	5	CAPSCREW, 1/4-20 X 1-1/2
	70917377	6	WASHER, WIDE, 1/4
	70916622	5	NUT, 1/4-20 REG
	705012	5	LOCKWASHER, 1/4 REG

CONTINUED

MC00336
PR: 364

HYDRAULIC PUMP & LINES
(PRIOR S/N HR36101)



**9790 COMBINE
HYDRAULICS**

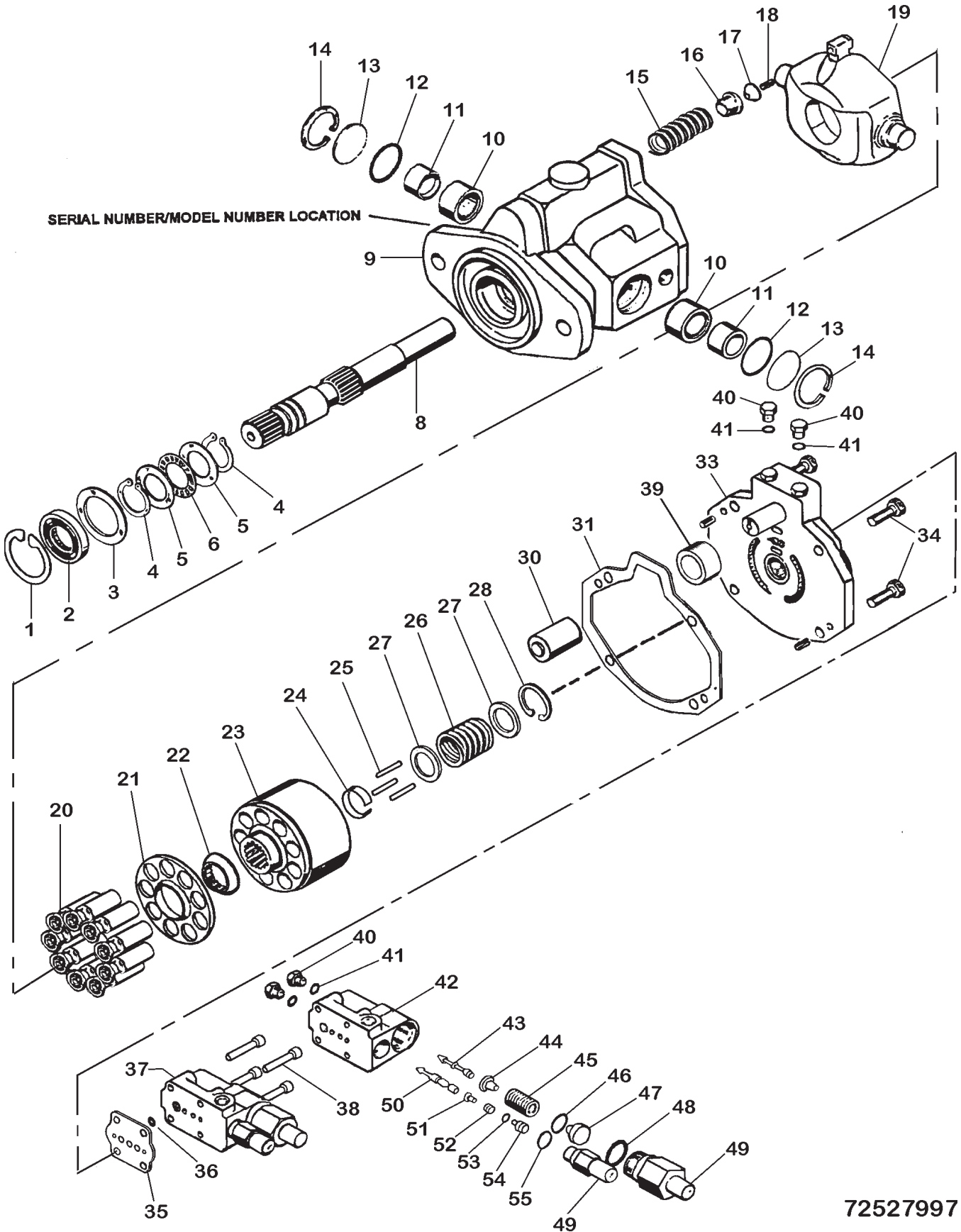
557

**HYDRAULIC PUMP & LINES
(PRIOR S/N HR36101)**

ITEM	NUMBER	QTY	DESCRIPTION
59	112043W1	1	TUBE ASY, UNLDR SWING, VALVE LOWER, 1/4 (PRIOR MID. S/N HN36...)(SERVICE W/71401728)
	71401728	1	TUBE ASY, UNLDR SWING, VALVE LOWER, 1/4 (EFF. MID. S/N HN36...)
60	112044W1	1	TUBE ASY, UNLDR SWING, VALVE UPPER, 1/4 (PRIOR MID. S/N HN36...)(SERVICE W/71401727)
	71401727	1	TUBE ASY, UNLDR SWING, VALVE UPPER, 1/4 (EFF. MID. S/N HN36)
61	71401726	2	TUBE ASY, UNLOADER SWING
62	112785W92	1	HYD CYLINDER, UNLDR SWING (SEE BREAKDWN) (PRIOR S/N HN36101)
	71399143	1	HYD CYLINDER, UNLDR SWING (SEE BREAKDWN) (EFF. S/N HN36101)
63	700701834	2	ELBOW,90 DEG, 7/16-20 JIC X 9/16-18 ORB
	70921885	2	O-RING, .078 X .468 ID
64	101618M1	4	ANGLE BRACKET
	7703457	4	CAPSCREW, 1/4-20 X 3/4 GR5
	705012	4	LOCKWASHER, 1/4 REG
	70916622	4	NUT, 1/4-20 REG
65	70919214	4	UNION CONN, 7/16-20 JIC
66	101590M1	1	HOSE ASY, 1/4
67	101598M1	1	HOSE ASY, 1/4
68	101643M91	1	ANGLE BRACKET
	70921332	1	CAPSCREW, 5/16-18 X 3/4 GR5
	70917372	1	NUT, 5/16-18 REG
	Y705020	1	LOCKWASHER, 5/16 REG
69	101752M1	2	CLAMP PAIR, DOUBLE, 3/4 X 1/4 DIA
	70921159	1	CAPSCREW, 1/4-20 X 2-1/4 GR5
	7701485	1	CAPSCREW, 1/4-20 X 2 GR5
	705012	2	LOCKWASHER, 1/4 REG
	70916622	1	NUT, 1/4-20 REG
70	101646M1	4	COVER PLATE
71	71391246	1	TUBE ASY, STEERING SUPPLY, 1/2
72	71391252	1	TUBE ASY, STRG LS, 1/4
73	101751M1	2	CLAMP PAIR, DOUBLE, 1/2 X 1/4 DIA
	7701485	2	CAPSCREW, 1/4-20 X 2 GR5
	705012	2	LOCKWASHER, 1/4 REG
	70916622	2	NUT, 1/4-20 REG
74	112972W1	1	STRAP, TUBE SUPPORT
	70921332	1	CAPSCREW, 5/16-18 X 3/4 GR5
	70917372	1	NUT, 5/16-18 REG
	Y705020	1	LOCKWASHER, 5/16 REG
75	71388081	1	HOSE ASY, DRAIN
76	71398139	1	ANGLE BRKT, TUBE SUPP'T(EFF S/N HP36101)

MC00336
PR: 364

HYDRAULIC PUMP



9790 COMBINE
HYDRAULICS

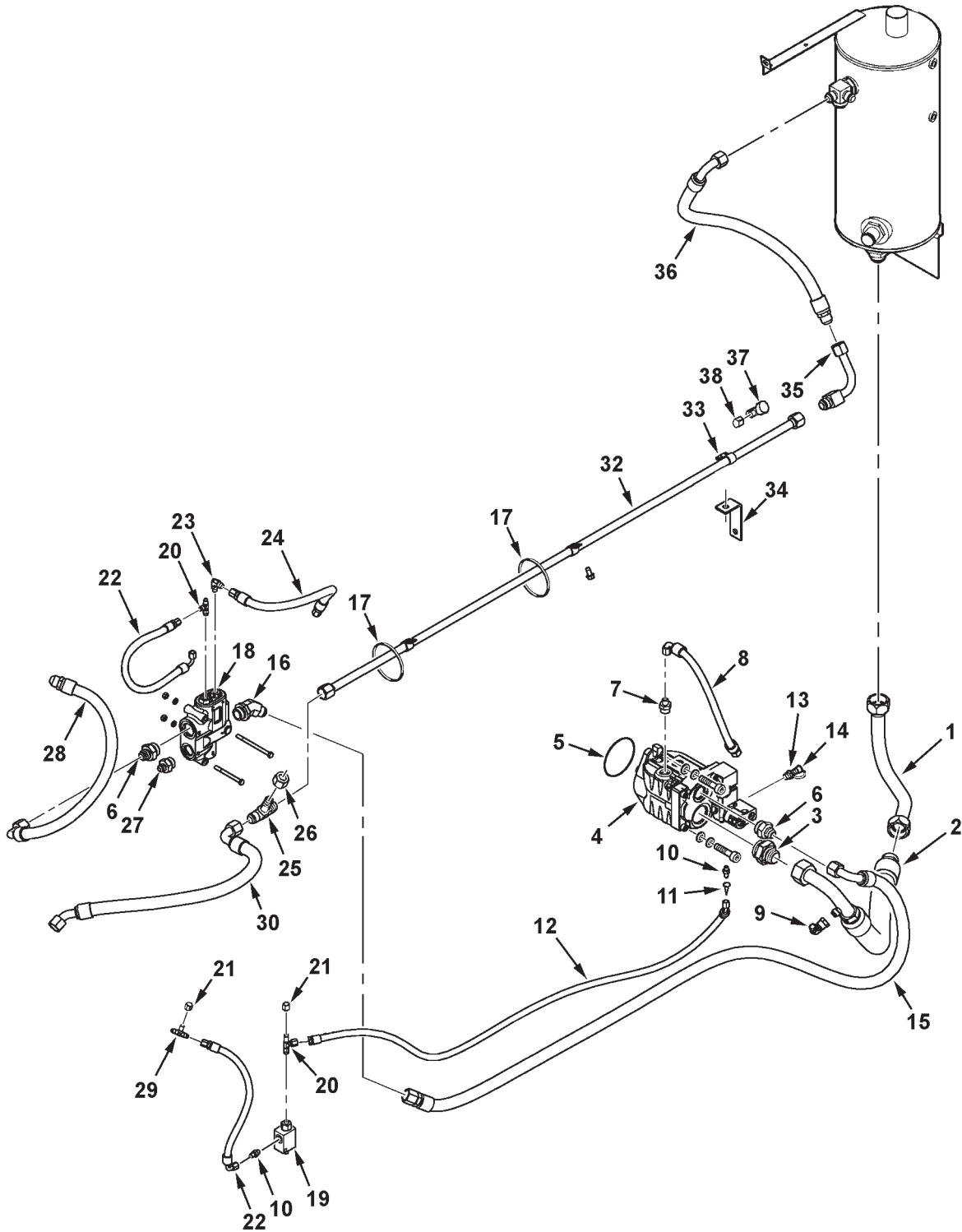
559

HYDRAULIC PUMP

ITEM	NUMBER	QTY	DESCRIPTION
-	71388864	1	PUMP, SYSTEM HYDRAULIC
1	70927700	1	* RING, RETAINING
2	70269723	1	* SEAL, SHAFT
3	70269722	1	WASHER
4	72528008	2	* RING, RETAINING
5	70933255	2	RACE, THRUST BEARING
6	70930441	1	BEARING, THRUST
8	104456W1	1	SHAFT, DRIVE
9	72528022	1	HOUSING
10	71012174	2	BEARING, THRUST
11	700719785	2	RACE, INNER
12	70924791	2	* O-RING, .103 X 1.424 ID, 75 DUR.
13	700719782	2	COVER, TRUNNION
14	7035983	2	* RING, RETAINING
15	700719780	1	SPRING
16	700719784	1	COLLAR, SPRING
17	700719783	1	BUTTON, PIVOT
18	72528006	1	PIN, ROLL
19	72528024	1	CAMPLATE
20	-----	1	*KIT, PISTON (INCL. 9 PISTONS)
21	-----	1	*SPIDER
22	-----	1	*PIVOT, SPIDER
-	-----	-	*(SERVICE WITH #700706490 KIT ASY.)
23	700706490	1	KIT ASY., ROTATING
24	70267150	1	KEEPER, PIN
25	70267148	3	PIN, LOADING
26	70267155	1	SPRING
27	70261383	2	WASHER
28	355602X1	1	RING, RETAINING
30	72528025	1	PISTON
31	70267132	1	* GASKET
33	104458W91	1	BACKPLATE
34	70920415	4	CAPSCREW, 3/8-16 X 1-1/4
35	70270210	1	* GASKET
36	72528012	1	* O-RING
37	72528004	1	COMPENSATOR ASY.
38	103714W1	4	CAPSCREW
39	-----	1	SPACER (NOT USED)
40	70935836	1	PLUG
41	70921882	1	O-RING, .064 X .301 ID, 90 DUR.
42	-----	1	BODY (NOT SERVICED)
43	-----	1	SPOOL, PRESSURE (NOT SERVICED)
44	70272357	1	CAP, SPRING PIVOT
45	70267167	1	SPRING
46	70935118	1	O-RING, VITON, .103 X .549 ID, 75 DUR.
47	70272358	1	FOLLOWER, FLOW SPRING
48	70935847	1	O-RING, VITON, .103 X .862 ID, 75 DUR.
49	72528014	1	ADJUSTMENT CAP, PRESSURE
50	70272355	1	SPOOL, FLOW
51	70272361	1	PIVOT, SPRING
52	70272365	1	SPRING
53	70936498	1	O-RING, VITON, .070 X .208 ID, 90 DUR.
54	70272360	1	FOLLOWER, FLOW SPRING
55	70928488	1	O-RING, VITON, .078 X .468 ID, 90 DUR.
-	71352945	AR	SEAL REPAIR KIT (INCL. ITEMS MARKED *)

72527997
PR: 370

HYDRAULIC PUMP & LINES
SISU ENGINE
(EFF. S/N HR36101)



**9790 COMBINE
HYDRAULICS**

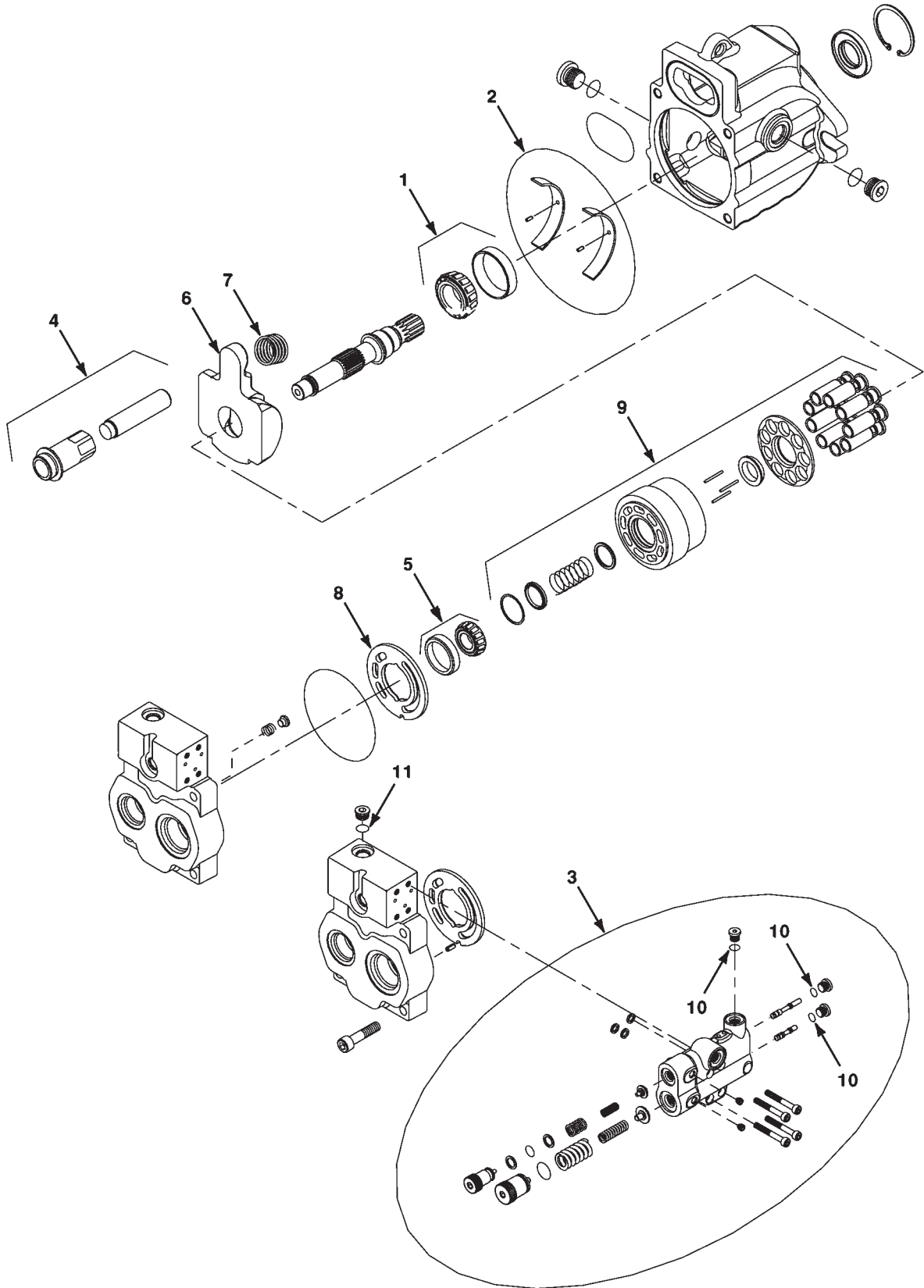
561

**HYDRAULIC PUMP & LINES
SISU ENGINE
(EFF. S/N HR36101)**

ITEM	NUMBER	QTY	DESCRIPTION
1	71394140	1	TUBE ASY
2	71411839	1	HOSE ASY, PUMP SUCTION
3	112890W91	1	STR CONN, 1-7/8-12 ORB X 1-5/8-12 JIC
	70921887	1	O-RING, .118 X 1.720 ID
4	71406627	1	PUMP ASY, HYD PISTON (SEE BREAKDOWN)
	3010013X1	2	CPSCR,HX SKT HD, M14-2.0 X 60 CL12.9
	70934063	2	LOCKWASHER, M14
	700101804	2	WASHER, .562 ID X 1.0 X .127 TH
5	70925310	1	O-RING, .070 X 3.99 ID, 75 DUR
6	70935768	2	STR CONN, 1-1/16-12 JIC X 1-5/16-12 ORB
	70921214	2	O-RING, .116 X 1.17 ID
7	8746018	2	CONNECTOR, STR, 9/16-18 JIC X 7/8-14 ORB
	70921205	2	O-RING, .097 X .755 ID
8	71410484	1	HOSE ASY, PUMP CASE DRAIN
9	70921279	1	ELBOW, 90 DEG, SWIVEL, 3/4-16 JIC
10	700701356	3	STR CONN, 7/16-20 JIC X 7/16-20 ORB
	70921883	3	O-RING, .072 X .35 ID
11	286501M1	1	CONE FILTER, 1/4
12	71410485	1	HOSE ASY, LOAD SENSE
13	71379303	1	COUPLER, DIAGNOSTIC
14	71379304	1	DUST CAP, HYD COUPLER
15	71410486	1	HOSE ASY, PUMP TO PRIORITY VALVE
16	70935989	1	ELB, 45 D, 1-1/16-12 JIC X 1-5/16-12 ORB
	70921214	1	O-RING, .116 X 1.171 ID
17	3619622M1	2	TIE, BLACK NYLON, .184 X 14.2 LG
18	71391453	1	VALVE ASY, PRIORITY FLOW DIVIDER
	772418	1	CAPSCREW, 5/16-18 X 3-1/2 GR5
	873026	1	CAPSCREW, 5/16-18 X 4-1/2 GR5
	70917372	2	NUT, 5/16-18 REG
	70917356	2	LOCKWASHER, 5/16 REG
19	72525468	1	VALVE, SHUTTLE
20	70924783	2	TEE, ADJ ORB, RUN, 7/16-20 JIC X ORB
	70921883	1	O-RING, .072 X .35 ID
21	700715848	2	CAP, 7/16-20 JIC
22	116640W1	1	HOSE ASY,SHUTTL VAL(QTY 2 PRIOR HS36101)
23	70930510	1	ELBOW,90 DEG, 9/16-18 JIC X 7/16-20 ORB
	70921883	1	O-RING, .072 X .35 ID
24	101650M1	1	HOSE ASY, PRIORITY VALVE RETURN
25	700701814	1	TEE, UNION, 1-1/16-12 JIC
26	70925852	1	REDUCER, 1-1/16-12 JIC X 9/16-18 MALE
	70919197	1	TUBE NUT, 1-1/16-12
27	700701753	1	STR CONN, 3/4-16 JIC X 1-1/16-12 ORB
	70921206	1	O-RING, .116 X .924 ID
28	101588M1	1	HOSE ASY, PRIORITY VALVE OUT, 5/8 ID (PRIOR S/N HS36101)
29	700701350	1	TEE, UNION, 7/16-20 JIC (PRIOR HS36101)
30	700727621	1	HOSE ASY, RETURN (PRIOR S/N HS36101)
32	71398138	1	TUBE ASY, RETURN TO TANK
33	70926049	3	CLAMP, LINE, 3/4 DIA X .406 HOLE
	Y702951	2	SCR,HX WSHR HD,TAPPING, 3/8-16 X 3/4
	70921977	1	CAPSCREW, 5/16-18 X 1-1/4 GR5
	Y705608	1	WASHER, 5/16 NARROW
	Y704726	1	NUT, HEX FLANGE TOP LOCK, 5/16-18
34	71398139	1	ANGLE BRKT, TUBE SUPPORT
35	71398142	1	TUBE ASY, RETURN TO TANK
36	71388086	1	HOSE ASY, RETURN TO TANK, 3/4
37	70921298	1	TEE, SWIVEL RUN, 3/4-16 JIC
38	70923737	1	CAP, 3/4-16 JIC

MCO0401
PR: t05109o11c0023

SYSTEM PUMP
(EFF. S/N HR36101)



**9790 COMBINE
HYDRAULICS**

563

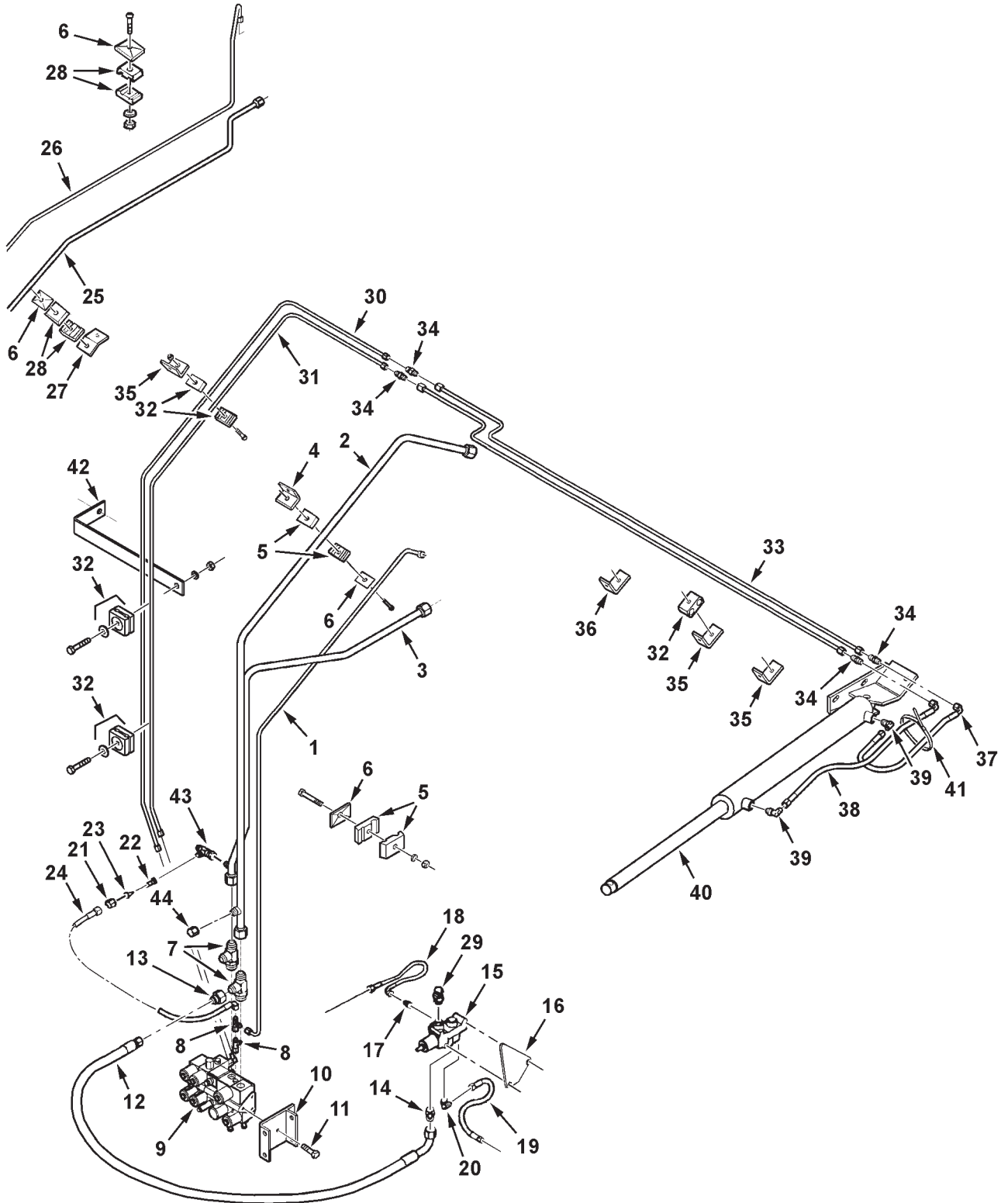
**SYSTEM PUMP
(EFF. S/N HR36101)**

ITEM	NUMBER	QTY	DESCRIPTION
-	71406627	1	PISTON PUMP ASY, HYDRAULIC
1	71414689	1	BEARING KIT, FRONT
2	71414688	1	SWASHPLATE BEARING KIT
3	71414687	1	CONTROL KIT
4	700725471	1	KIT-SERVO PISTON
5	71414681	1	BEARING KIT, REAR
6	71414690	1	SWASHPLATE
7	700725468	1	BIAS SPRING
8	71414682	1	VALVE PLATE, CCW, KRL
9	700725475	1	CYLINDER BLOCK KIT 41/45 CC
10	727281	3	O-RING
11	70928488	1	O-RING

GC00505

PR: t07a23o20b0012

CONTROL VALVE & LINES
SISU ENGINE
(EFF. S/N HR36101-HR36999)



**9790 COMBINE
HYDRAULICS**

565

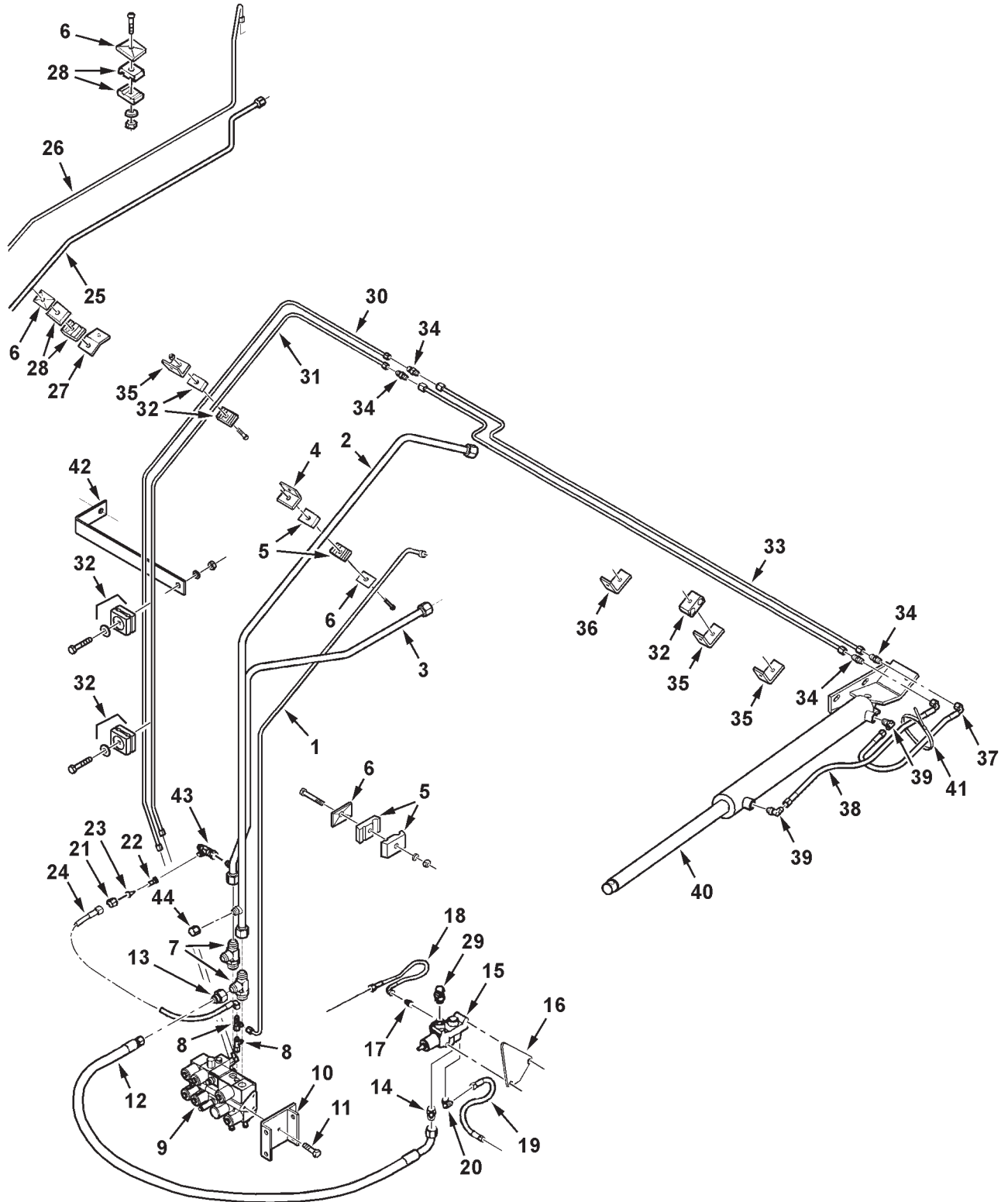
**CONTROL VALVE & LINES
SISU ENGINE
(EFF. S/N HR36101-HR36999)**

ITEM	NUMBER	QTY	DESCRIPTION
1	71399150	1	TUBE ASY, CONTROL VALVE, L.S.
2	71399149	1	TUBE ASY, FLOW DIVIDER TO CONTROL VALVE
3	700727622	1	TUBE ASY, CONTROL VALVE, RETURN
4	101643M91	1	ANGLE BRACKET WLMT
	70921332	1	CAPSCREW, 5/16-18 X 3/4 GR5
	70917356	1	LOCKWASHER, 5/16
	70917372	1	NUT, 5/16-18 REG
5	101752M1	2	CLAMP PAIR, DOUBLE, 3/4 & 1/4 DIA
	70921159	1	CAPSCREW, 1/4-20 X 2-1/4 GR5
	7701485	1	CAPSCREW, 1/4-20 X 2 GR5
	705012	2	LOCKWASHER, 1/4
	70916622	1	NUT, 1/4-20 REG
6	101646M1	4	COVER PLATE
7	70922181	2	TEE, ADJ ORB RUN, 1-1/16-12 JIC X ORB
	70921206	2	O-RING, .116 X .924 ID
8	700701355	2	TEE, SWIVEL RUN, 7/16-20 JIC
9	-----	1	VALVE STACK ASY (SEE BREAKDOWN)
10	108910W91	1	BRACKET WLDMT, VALVE
	7701188	4	CAPSCREW, 1/2-13 X 1-1/4 GR5
	Y705046	4	LOCKWASHER, 1/2
	704031	4	NUT, 1/2-13 REG
11	70927340	3	CAPSCREW, 1/4-20 X 3/4 GR8
	353769X1	3	WASHER, HARD, 1/4
12	112050W1	1	HOSE ASY, PRESS TO REEL DRIVE VALVE
13	700701744	1	REDUCER, 1-1/16-12 JIC X 3/4-16 MALE
14	70921326	1	STR CONN, 7/8-14 JIC X ORB
	70921205	1	O-RING, .097 X .755 ID
15	104135W91	1	VALVE, REEL DRIVE
	70921719	2	CAPSCREW, 5/16-18 X 2-1/2 GR5
	70917372	2	NUT, 5/16-18 REG
	70917356	2	LOCKWASHER, 5/16
16	71386414	1	PLATE, VALVE MOUNTING
	70921333	2	CAPSCREW, 5/16-18 X 1" GR5
	70917372	2	NUT, 5/16-18 REG
	70917356	2	LOCKWASHER, 5/16
17	70926292	1	STR CONN, 7/16-20 JIC X 9/16-18 ORB
	70921885	1	O-RING, .078 X .468 ID
18	101590M1	1	HOSE ASY, 1/4
19	101650M1	1	HOSE ASY, VALVE DRAIN
20	70922523	1	ELBOW, 90 DEG, 9/16-18 JIC X 9/16-18 ORB
	70921885	1	O-RING, .078 X .468 ID
21	846204	1	TUBE NUT, 9/16-18
22	116644W1	1	FITTING, ORIFICE, 7/16-20 JIC
23	286501M1	2	CONE FILTER, 1/4
24	71373538	1	HOSE ASY, L.S. DRAIN, 1/4

CONTINUED

MCO0402
PR: t05109o11c0024

CONTROL VALVE & LINES
SISU ENGINE
(EFF. S/N HR36101-HR36999)



9790 COMBINE
HYDRAULICS

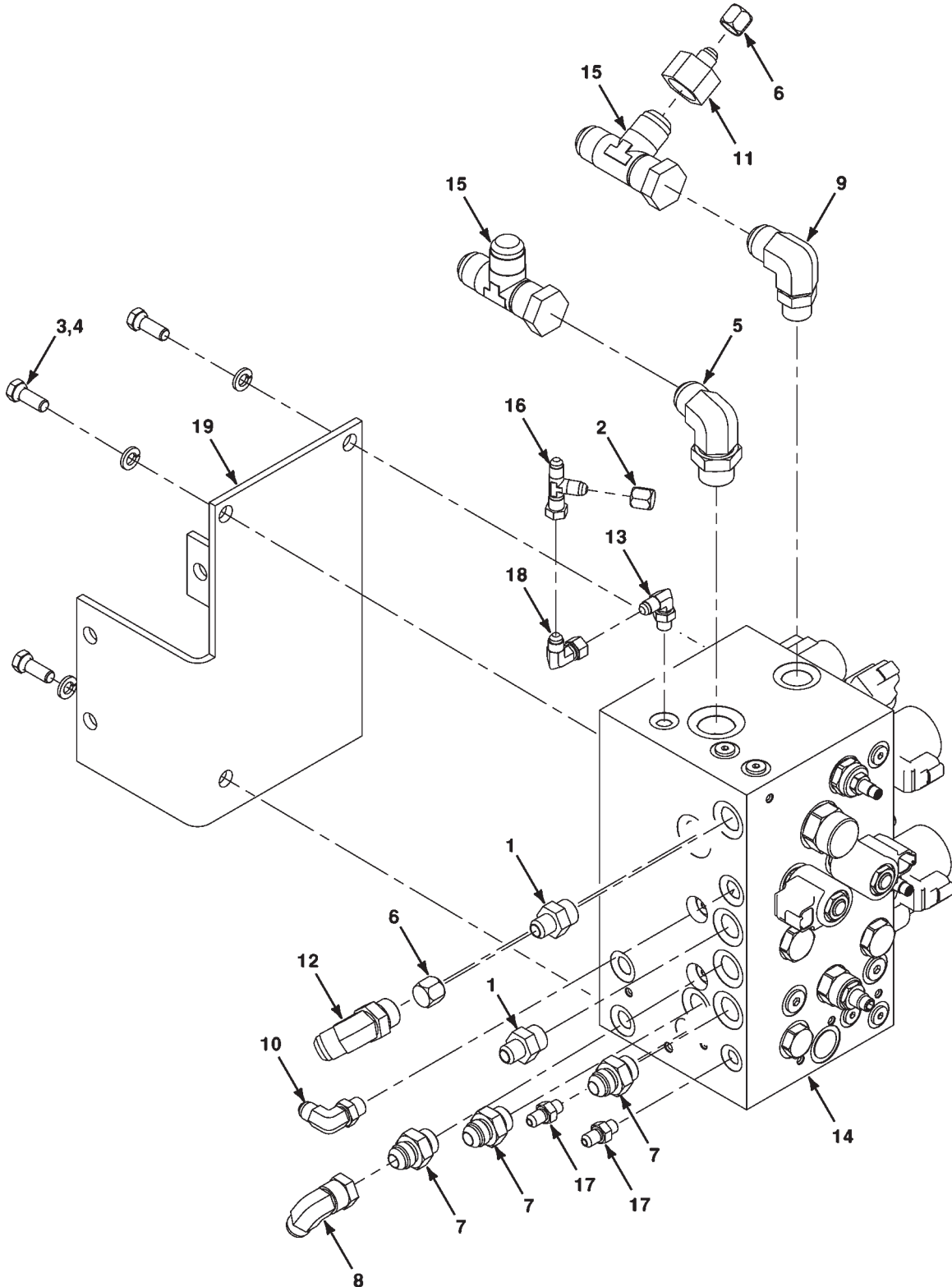
567

CONTROL VALVE & LINES
SISU ENGINE
(EFF. S/N HR36101-HR36999)

ITEM	NUMBER	QTY	DESCRIPTION
25	71391246	1	TUBE ASY, STEERING SUPPLY, 1/2
26	71391252	1	TUBE ASY, STEERING L.S., 1/4
27	112972W1	1	STRAP, TUBE SUPPORT
	70921332	1	CAPSCREW, 5/16-18 X 3/4 GR5
	70917372	1	NUT, 5/16-18 REG
	70917356	1	LOCKWASHER, 5/16
28	101751M1	2	CLAMP PAIR, DOUBLE, 1/2 & 1/4 DIA
	7701485	2	CAPSCREW, 1/4-20 X 2 GR5
	705012	2	LOCKWASHER, 1/4
	70916622	2	NUT, 1/4-20 REG
29	70921327	1	ELBOW, 90 DEG, 7/8-14 JIC X ORB
	70921205	1	O-RING, .097 X .755 ID
30	71401728	1	TUBE ASY, UNLDR SWING, VALVE LOWER, 1/4
31	71401727	1	TUBE ASY, UNLDR SWING, VALVE UPPER, 1/4
32	148039M1	6	CLAMP PAIR, DOUBLE, 1/4 & 1/4 DIA
	70922837	6	CAPSCREW, 1/4-20 X 1-1/2
	70917377	6	WASHER, WIDE, 1/4
	70916622	6	NUT, 1/4-20 REG
	705012	6	LOCKWASHER, 1/4
33	71401729	2	TUBE ASY, UNLDR SWING
34	70919214	4	UNION CONNECTOR, 7/16-20 JIC
35	101618M1	3	ANGLE BRACKET
	7703457	3	CAPSCREW, 1/4-20 X 3/4 GR5
	705012	3	LOCKWASHER, 1/4
	70916622	3	NUT, 1/4-20 REG
36	71398203	1	ANGLE BRACKET, LONG
	7703457	1	CAPSCREW, 1/4-20 X 3/4 GR5
	705012	1	LOCKWASHER, 1/4
	70916622	1	NUT, 1/4-20 REG
37	101590M1	1	HOSE ASY, 1/4
38	101598M1	1	HOSE ASY, 1/4
39	700701834	2	ELBOW, 90 DEG, 7/16-20 JIC X 9/16-18 ORB
	70921885	2	O-RING, .078 X .468 ID
40	71399143	1	HYD CYLINDER, UNLDR SWING(SEE BREAKDOWN)
41	3619622M1	1	TIE, BLACK NYLON, .184 X 14.2 LG
42	71407464	1	STRAP, TUBE SUPPORT
	70921333	1	CAPSCREW, 5/16-18 X 1 GR5
	70917642	1	WASHER, 5/16, WIDE
	Y704726	1	NUT, HEX FLANGE TOP LOCK, 5/16-18
43	70921297	1	TEE, SWIVEL RUN, 9/16-18 JIC
44	70923737	1	CAP, 3/4-16 JIC

MC00402
PR: t05l09o11c0024

HYDRAULIC VALVE ASSEMBLY
(EFF. S/N HS36101)



**9790 COMBINE
HYDRAULICS**

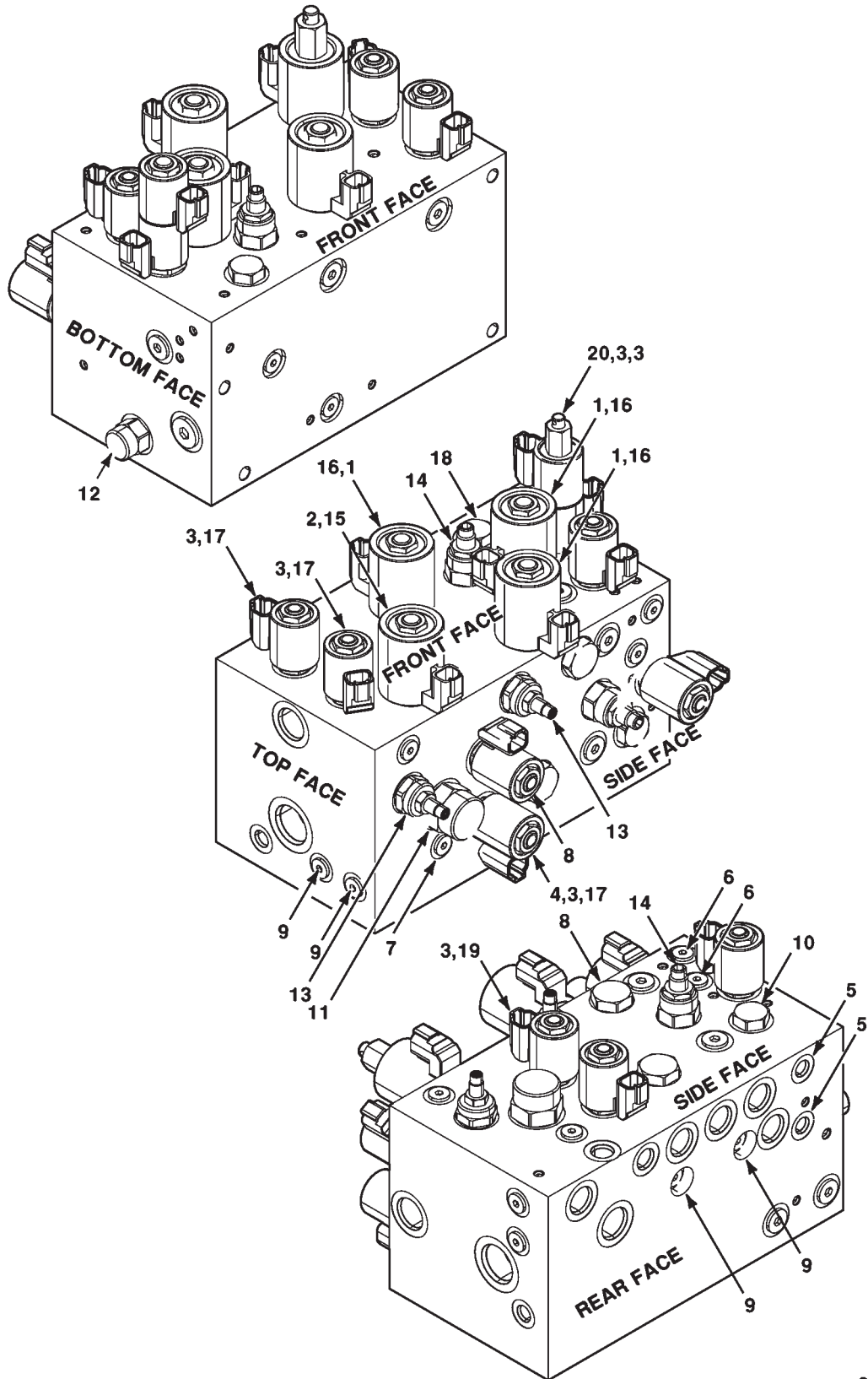
569

**HYDRAULIC VALVE ASSEMBLY
(EFF. S/N HS36101)**

ITEM	NUMBER	QTY	DESCRIPTION
1	360202X91	2	CONNECTOR, STR, 9/16-18 JIC X 3/4-16 ORB
	70921349	1	O-RING, .087 X .644 ID
2	700715848	1	CAP, 7/16-20 JIC
3	70921210	3	CAPSCREW, 3/8-16 X 1.0 GR5
4	70916965	3	LOCKWASHER, 3/8
5	70921203	1	ELBOW, 90 DEG, 1-1/16-12 ORB X JIC
	70921206	1	O-RING, .116 X .924 ID
6	791541	2	CAP, 9/16-18
7	846337	3	CONNECTOR, STR, 3/4-16 JIC X ORB
	70921349	1	O-RING, .087 X .644 ID
8	70921279	1	ELBOW, 90 DEG SWIVEL, 3/4-16 JIC
9	70922974	1	ELBOW, 90 DEG, 7/8-14 ORB X 1-1/16-12 JIC
	70921205	1	O-RING, .097 X .755 ID
10	70922523	1	ELBOW, 90 DEG, 9/16-18 ADJ ORB X JIC
	70921885	1	O-RING, .078 X .468 ID
11	7791361	1	REDUCER, 9/16-18 JIC M X 1-1/16-12 FEM
12	70921328	1	ELBOW, 45 DEG, 7/8-14 JIC X ORB
	70921205	1	O-RING, .097 X .755 ID
13	70922571	1	ELBOW, 90 DEG, 7/16-20 JIC X ORB
	70921883	1	O-RING, .072 X .351 ID
14	71409181	1	VALVE ASY-HYDRAULIC (SEE BREAKDOWN)
15	70921691	2	TEE, SWIVEL RUN, 1-1/16-12 JIC
16	700701355	1	TEE, SWIVEL RUN, 7/16-20 JIC
17	700701356	2	CONNECTOR, STR, 7/16-20 JIC X ORB
	70921883	1	O-RING, .072 X .351 ID
18	700719027	1	ELBOW, 90 DEG SWIVEL, 7/16-20 JIC
19	71406990	1	SUPPORT WA-VALVE

MC00565
PR: t07a23o20b0013

MAIN CONTROL VALVE
(EFF. S/N HS36101)



9790 COMBINE
HYDRAULICS

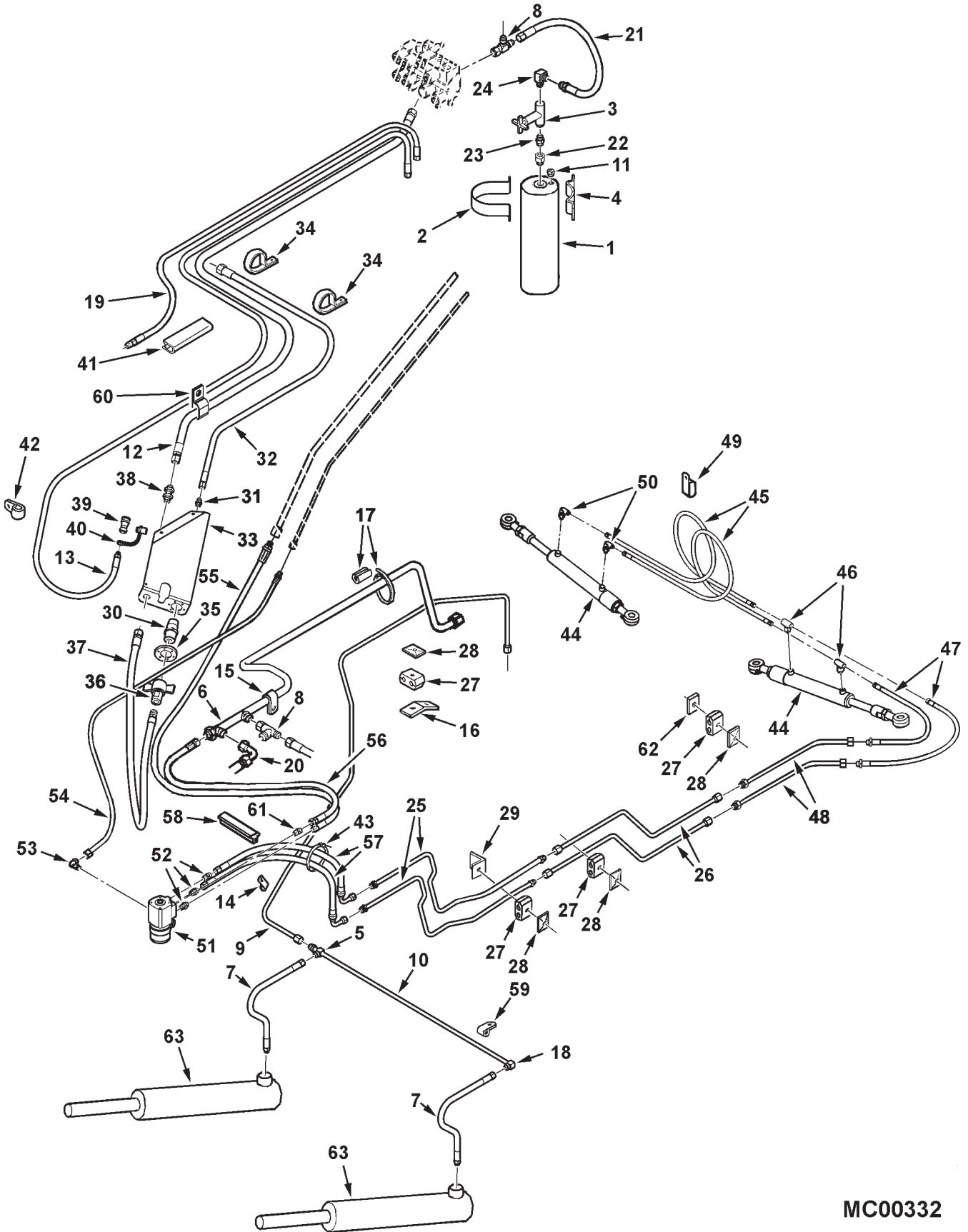
571

MAIN CONTROL VALVE
(EFF. S/N HS36101)

ITEM	NUMBER	QTY	DESCRIPTION
-	71409181	1	VALVE ASY, MAIN CONTROL
1	700728892	3	COIL
2	700728893	1	COIL
3	700728894	6	COIL
4	700728895	1	ORIFICE
5	700728896	2	ORIFICE
6	700728897	2	ORIFICE
7	700728898	1	ORIFICE
8	700728900	2	CHECK VALVE
9	700728901	4	CHECK VALVE
10	700728902	1	DUAL CHECK
11	700728903	1	COMPENSATOR
12	700728904	1	FLOW REGULATOR
13	700728905	2	FLOW REGULATOR
14	700728906	2	NEEDLE VALVE
15	700728908	1	SOLENOID PROPORTIONAL
16	700728909	3	COIL
17	700728910	3	SOLENOID VALVE
18	700728911	1	CAVITY PLUG
19	700728912	1	SOLENOID VALVE
20	700728913	1	SOLENOID VALVE

GC00486
PR: t06j04m20c0019

STEERING & HEADER FUNCTIONS
(PRIOR S/N HS36101)



9790 COMBINE
HYDRAULICS

573

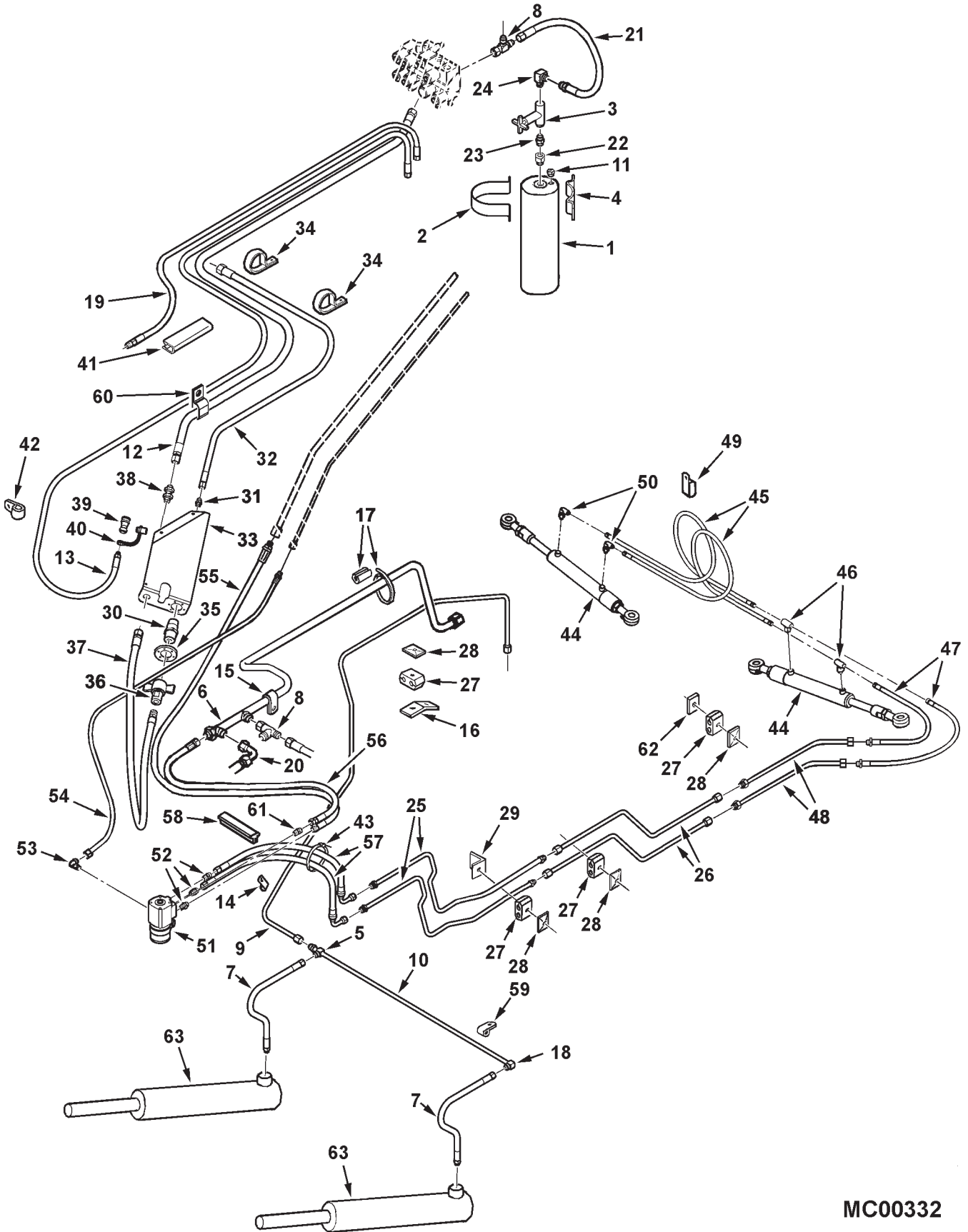
STEERING & HEADER FUNCTIONS
(PRIOR S/N HS36101)

ITEM	NUMBER	QTY	DESCRIPTION
1	700712632	1	ACCUMULATOR
2	101705M1	2	BRACKET, ACCUMULATOR
	70921977	4	CAPSCREW, 5/16-18 X 1-1/4
	700709602	4	WASHER, PLAIN WIDE, 5/16
	Y705046	4	LOCKWASHER, 5/16
	70917372	4	NUT, HEX 5/16-18
3	71334329	1	VALVE ASY, BALL
4	101698M1	2	PAD, ACCUMULATOR
5	70921472	1	TEE-UNION, MALE, 3/4-16
6	71399144	1	TUBE ASY, VALVE RETURN
7	101589M91	2	HOSE ASY., HEADER & ACCUMULATOR
	70921349	2	O-RING, .087 X .644 ID
8	70921298	2	TEE, SWIVEL RUN, 3/4-16 JIC
9	71391236	1	TUBE ASY., HEADER LIFT (PRIOR MID. S/N HN36---)(SERVICE W/71400691)
	71400691	1	TUBE ASY,HDR LIFT (EFF. MID S/N HN36---)
10	71394138	1	TUBE ASY., HEADER LIFT FRT.
11	357194X1	1	PLUG, HEX HD, 9/16-18 ORB
	70921885	1	O-RING, .078 X .468 ID
12	71394173	1	HOSE ASY., REEL DRIVE, 1/2 ID
13	116482W1	1	HOSE ASY., REEL LIFT, 3/8 ID
14	70925617	2	CLAMP, 1/2 DIA X .406 HOLE (QTY 1 PRIOR S/N HP36101)
	70921333	1	CAPSCREW, 5/16-18 X 1
	700709602	1	WASHER, PLAIN WIDE, 5/16
	Y705046	1	LOCKWASHER, 5/16
	70917372	1	NUT, HEX 5/16-18
15	70926049	1	CLAMP, .750 TUBE X .406 HOLE
	70921333	1	CAPSCREW, 5/16-18 X 1
	700709602	1	WASHER, PLAIN WIDE, 5/16
16	112972W1	1	STRAP, TUBE SUPPORT
	70921332	1	CAPSCREW, 5/16-18 X 3/4
	Y705046	1	LOCKWASHER, 5/16
	70917372	1	NUT, HEX 5/16-18
17	103600W1	1	SLEEVE, SPLIT
	70937133	1	TIE, SELF LOCKING, .300 X 14.5
18	70921364	1	ELBOW, 90 DEG, 3/4-16 JIC X 3/4-16 JIC
19	-----	1	HOSE ASY, SUPPLY (SEE "HEADER REVERSER")
20	-----	1	HOSE ASY, RETURN (SEE "HEADER REVERSER")
21	71393843	1	HOSE ASY., ACCUMULATOR
22	700705119	1	REDUCER, 1-1/16-12 ORB X 3/4-16 ORB FEM
	70921206	1	O-RING, .116 X .924 ID
23	70933454	1	CONNECTOR, STR. 3/4-16 ORB X 1/2 NPTF
	70921349	1	O-RING, .087 X .644 ID
24	70919195	1	ELBOW, 90 DEG, 3/4-16 JIC X 1/2 NPTF
25	71398227	2	TUBE ASY., STEERING FRT.
26	101596M92	2	TUBE ASY., STEERING, 1/2 ID
27	148022M1	8	CLAMP PAIR, DOUBLE, 1/2 X 1/2 DIA
28	101646M1	8	COVER PLATE
	7701485	6	CAPSCREW, 1/4-20 X 2
	70921159	2	CAPSCREW, 1/4-20 X 2-1/4
	705012	8	LOCKWASHER, 1/4
	704007	8	NUT, HEX 1/4-20

CONTINUED

MC00332
PR: 334

STEERING & HEADER FUNCTIONS
(PRIOR S/N HS36101)



**9790 COMBINE
HYDRAULICS**

575

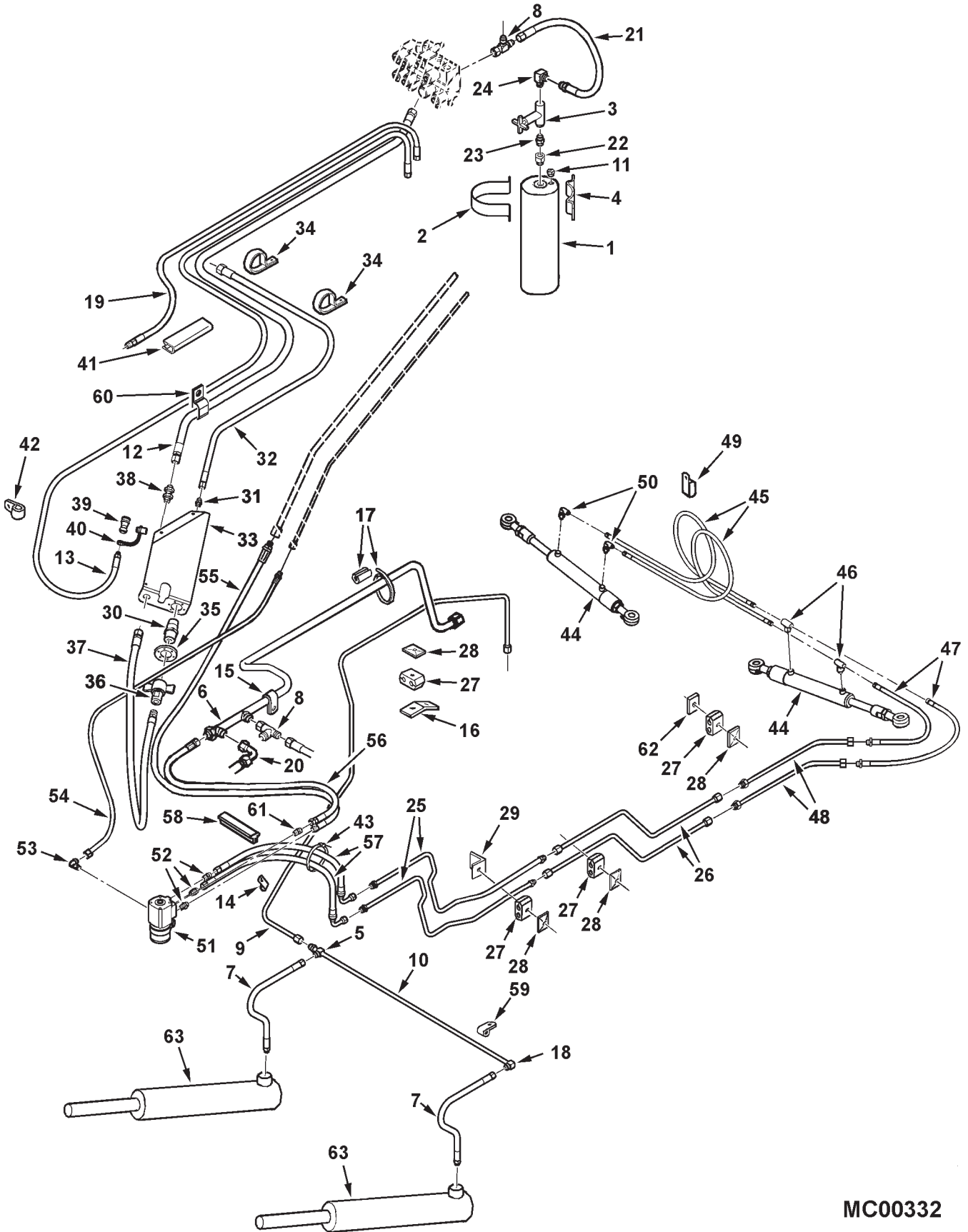
**STEERING & HEADER FUNCTIONS
(PRIOR S/N HS36101)**

ITEM	NUMBER	QTY	DESCRIPTION
29	101832M1	2	BRACKET, ANGLE
	703249	2	CAPSCREW, 3/8-16 X 1
	705038	2	LOCKWASHER, 3/8
	70916950	2	NUT, HEX 3/8
30	71365883	1	COUPLING, HYDRAULIC
31	70919128	1	CONNECTION, 3/4-16 JIC X 1/2 NPTF
32	71392881	1	HOSE ASY., REEL RETURN
33	71399119	1	BRACKET, HYD. HOSE DISCONNECT
	703249	2	CAPSCREW, 3/8-16 X 1
	705038	2	LOCKWASHER, 3/8
	70916950	2	NUT, HEX 3/8-16
34	70936467	2	CLAMP, 1-5/8 TUBE X .406 HOLE (PRIOR S/N HP36101)
	7041015	2	CLAMP, 2-1/4 X .531 HOLE(EFF S/N HP36101)
35	71365880	1	FLANGE, HYD. COUPLER
	70925160	6	RIVET
36	71358564	1	COUPLER, HYDRAULIC
37	71362149	1	HOSE ASY, REEL SPEED
38	7846777	1	BULKHEAD UNION, 7/8-14 JIC
39	71328362	1	COUPLING, HALF
40	71328365	1	DUSTCAP, FEMALE
41	71389754	1	MOULDING, EDGE (PRIOR S/N HP36101)
42	70926850	1	CLAMP, .625 TUBE X .281 HOLE
	7703457	1	CAPSCREW, 1/4-20 X 3/4
	705012	1	LOCKWASHER, 1/4
	704007	1	NUT, HEX 1/4-20
43	70937133	3	TIE, SELF LOCKING, .300 X 14.5
44	71365245	2	CYL ASY, STRG (STD AXLE)(PRIOR HP36101)
45	71394146	2	HOSE ASY (STD AXLE)(PRIOR S/N HP36101)
	3619622M1	2	CABLE TIE
46	70923894	2	TEE, 9/16-18 ORB BRANCH X 9/16-18 JIC
	70921885	2	O-RING, .078 X .468
47	71394151	2	HOSE ASY, 3/8 (STD AXLE)(PRIOR HP36101)
48	71394150	2	TUBE ASY, STEERING, REAR (STD AXLE)
49	70928148	1	CLAMP,3/4 DBL TUBE X .406 HOLE(STD AXLE)
	372729X1	1	SCR,HEX WSHR HD,TAPPG, 5/16-18 X 3/4
50	70922523	2	ELBOW, 90 DEG, 9/16-18 JIC X 9/16-18 ORB
	70921885	2	O-RING, .078 X .468
51	71392876	1	STEERING CONTROL UNIT (NOTE: INDIVIDUAL COMPONENTS NOT SERVICED EXCEPT FOR SEAL KIT)
-	71391083	AR	SEAL KIT, STEERING CONTROL UNIT
52	360202X91	3	CONNECTOR, 9/16-18 JIC X 3/4-16 ORB
	70921349	2	O-RING, .087 X .644
53	70922571	1	ELBOW, 90 DEG, 7/16-20 JIC X 7/16-20 ORB
	70921883	1	O-RING, .072 X .351
54	71392872	1	HOSE ASY., LOAD SENSE TO SCU
	70937133	3	TIE, SELF LOCKING, .300 X 14.5
55	71398981	1	HOSE ASY., PRESSURE TO SCU
56	71398980	1	HOSE ASY., RETURN, SCU TO TANK
57	71392875	2	HOSE ASY., SCU FRONT

CONTINUED

MC00332
PR: 334

STEERING & HEADER FUNCTIONS
(PRIOR S/N HS36101)



9790 COMBINE
HYDRAULICS

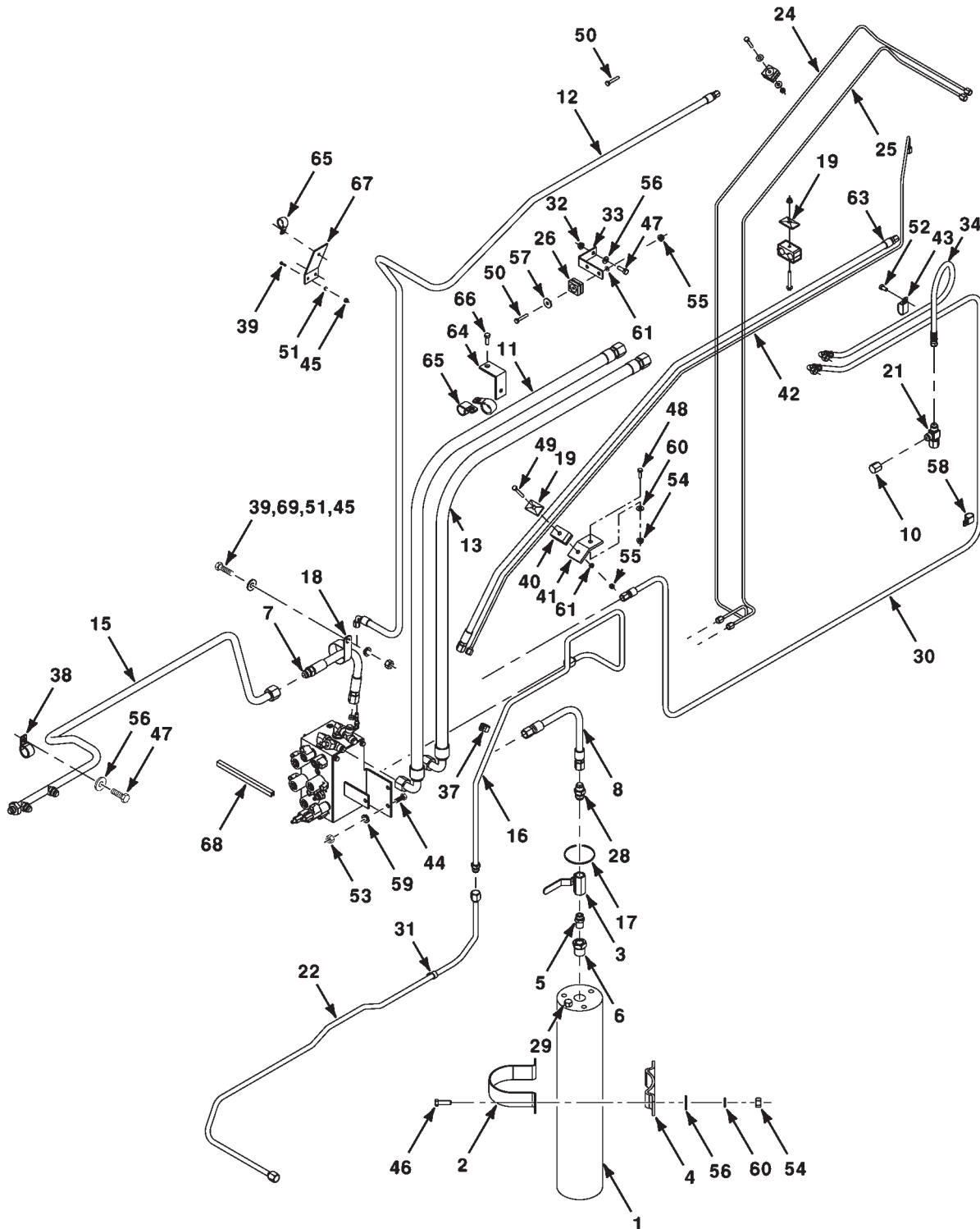
577

STEERING & HEADER FUNCTIONS
(PRIOR S/N HS36101)

ITEM	NUMBER	QTY	DESCRIPTION
58	71387797	2	EDGE PROTECTOR
59	70925617	4	CLAMP, .500 TUBE X .406 HOLE
	7703457	4	CAPSCREW, 1/4-20 X 3/4
	700709601	4	WASHER, WIDE PLATED, 1/4
	705012	4	LOCKWASHER, 1/4
	704007	4	NUT, HEX 1/4-20
60	70936473	2	CLAMP, DOUBLE, 7/8 DIA X .406 HOLE (PRIOR S/N HP36101)
	7041015	3	CLAMP, 2-1/4 X .531 HOLE(EFF S/N HP36101)
	703249	1	CAPSCREW, 3/8-16 X 1
	705038	1	LOCKWASHER, 3/8
	70916950	1	NUT, HEX 3/8-16
61	846337	1	CONNECTOR, MALE, 3/4-16 JIC X ORB
62	71404450	2	SPACER (EFF. S/N HP36101)
63	-----	2	CYLINDER, HEADER LIFT (SEE BREAKDOWN)

MC00332
PR: 334

CONTROL VALVE & LINES
(EFF. S/N HS36101)



9790 COMBINE
HYDRAULICS

579

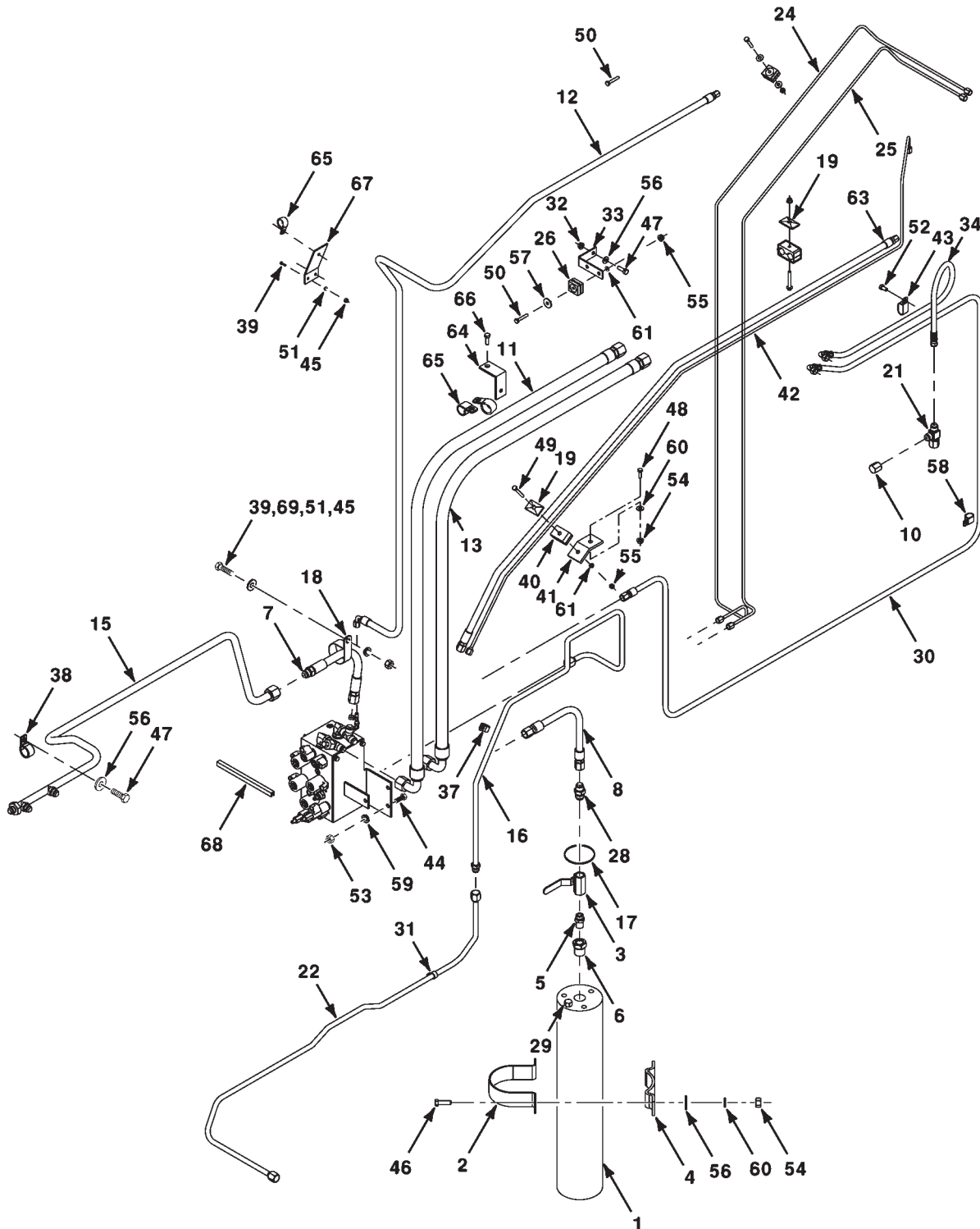
CONTROL VALVE & LINES
(EFF. S/N HS36101)

ITEM	NUMBER	QTY	DESCRIPTION
1	700712632	1	ACCUMULATOR
2	101705M1	2	BRACKET-ACCUMULATOR
3	71334329	1	VALVE ASM-BALL
4	101698M1	2	PAD-ACCUMULATOR
5	70933454	1	CONNECTOR, STR. 3/4-16 ORB X 1/2 NPTF
	70921349	1	O-RING, .087 X .644 ID
6	700705119	1	REDUCER, 1-1/16-12 ORB X 3/4-16 ORB FEM
	70921206	1	O-RING, .116 X .924 ID
7	71413427	1	HOSE ASM
8	71411204	1	HOSE ASM, ACCUM
10	70923737	1	CAP, 3/4-16 JIC
11	71413429	1	HOSE ASM
12	71411208	1	HOSE ASM, LS
13	71413428	1	HOSE ASM
15	71413434	1	TUBE ASM, RETURN
16	71410489	1	TUBE ASM, HDR LIFT
17	70937133	6	TIE-CABLE, 15-1/4
18	7041015	1	CLAMP, TUBE, 2-1/4 DIA X .531 HOLE
19	101646M1	2	COVER PLATE
21	70921298	1	TEE, SWIVEL RUN, 3/4-16 JIC
22	71411826	1	TUBE ASM, HEADER LIFT
24	71413432	1	TUBE ASM-UNLOADER SWING OUT
25	71414223	1	TUBE ASM-UNLOADER SWING IN
26	148039M1	2	CLAMP PAIR, DOUBLE, 1/4 X 1/4 DIA
28	70919128	1	STR CONNECTOR, 1/2 NPTF X 3/4-16 JIC M
29	357194X1	1	PLUG, HEX HD, 9/16-18 ORB
	70921885	1	O-RING, .078 X .468 ID
30	71398238	1	HOSE ASM, ROTARY SCREEN
31	70936314	1	J-CLIP, 1/2 DIA X .406 HOLE
32	Y704726	1	NUT, HEX FLANGE TOP LOCK, 5/16-18
33	71407464	1	BRACKET-TUBE SUPPORT
34	71396266	1	HOSE ASM, ROT SCREEN RETURN
37	70925617	1	CLAMP, LINE, 1/2 DIA X .406 HOLE
38	70926049	1	CLAMP, LINE, 3/4 DIA X .406 HOLE
39	70920415	4	CAPSCREW, 3/8-16 X 1-1/4 GR5
40	101751M1	2	CLAMP PAIR, DOUBLE, 1/2 X 1/4 DIA
41	112972W1	1	STRAP-TUBE SUPPORT
42	71391252	1	TUBE ASM, STRG LOAD SENSE
43	70928148	2	CLAMP, DOUBLE, 3/4 TUBE X .406 HOLE
44	70921176	3	CAPSCREW, 1/2-13 X 1-1/4 GR5
45	70916950	6	NUT, 3/8-16
46	70921977	4	CAPSCREW, 5/16-18 X 1-1/4
47	70921333	2	CAPSCREW, 5/16-18 X 1
48	70921332	1	CAPSCREW, 5/16-18 X 3/4
49	70921963	1	CAPSCREW, 1/4-20 X 2
50	70922837	2	CAPSCREW, 1/4-20 X 1-1/2
51	70916965	6	LOCKWASHER, 3/8
52	Y702951	3	SCREW,HX WSHR HD TAPPG, 3/8-16 X 3/4

CONTINUED

MC00562
PR: 71412063-04-12

CONTROL VALVE & LINES
(EFF. S/N HS36101)



9790 COMBINE
HYDRAULICS

581

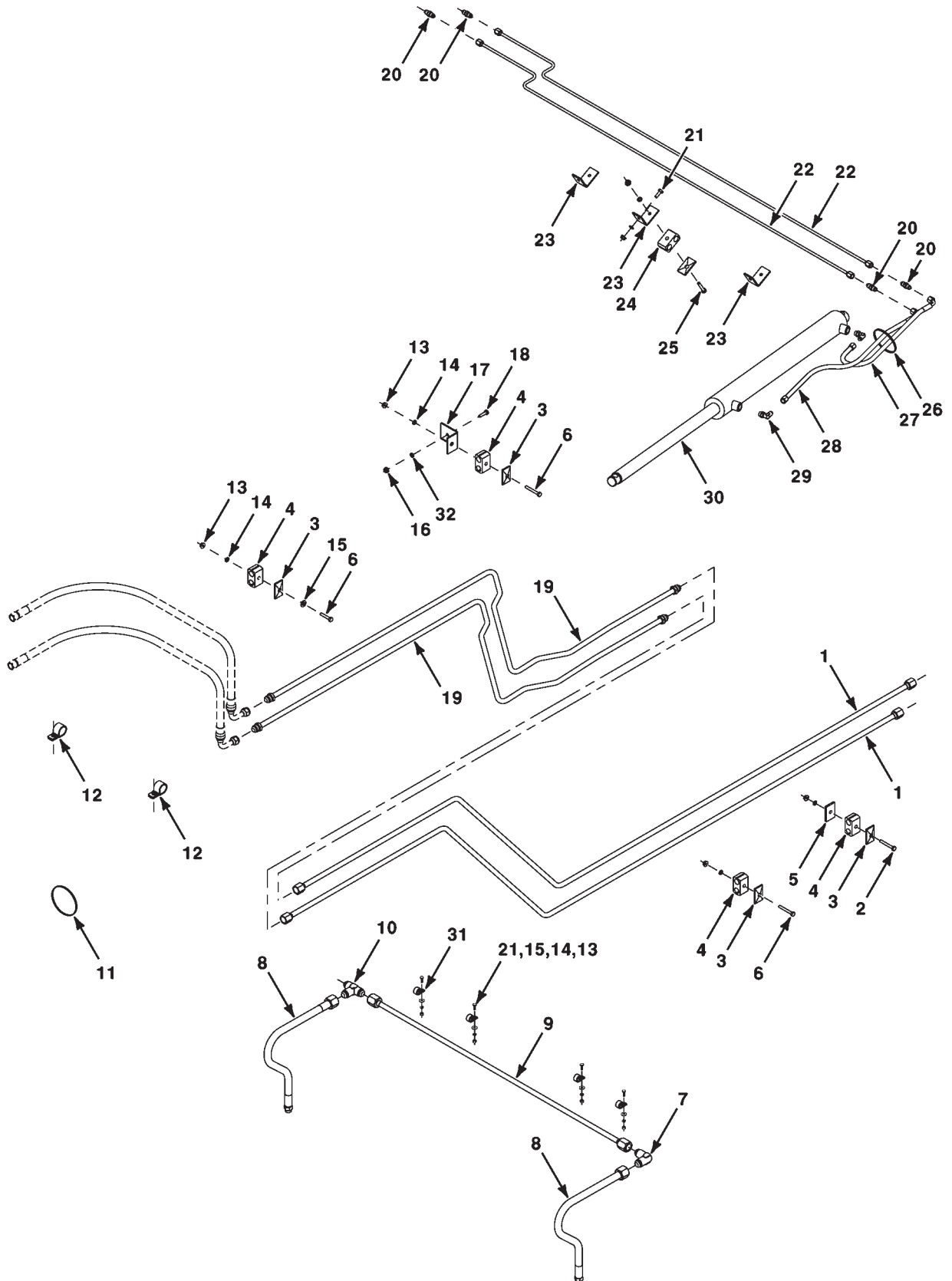
CONTROL VALVE & LINES
(EFF. S/N HS36101)

ITEM	NUMBER	QTY	DESCRIPTION
53	704031	3	NUT, 1/2-13 REG
54	70917372	5	NUT, 5/16-18 REG
55	70916622	5	NUT, 1/4-20 REG
56	70917642	6	WASHER, 5/16 WIDE
57	70917377	2	WASHER, 1/4 WIDE
58	70925619	2	CLAMP, LINE, 11/16 DIA X .406 HOLE
59	Y705046	3	LOCKWASHER, 1/2
60	70917356	5	LOCKWASHER, 5/16
61	705012	5	LOCKWASHER, 1/4
63	71391246	1	TUBE ASY, STEERING SUPPLY
64	71352670	1	BRACKET, TUBE SUPPORT
65	700725832	4	CLAMP, LINE, 1-1/8 DIA X .406 HOLE
66	70921961	1	CAPSCREW, 1/4-20 X 1-1/4
67	71413447	1	BRACKET
68	700715944	2	TRIM-PUSH ON
69	70917378	1	WASHER, 3/8 WIDE

MC00562
PR: 71412063-04-12

9790 COMBINE
HYDRAULICS

STEERING & HEADER FUNCTIONS
(EFF. S/N HS36101)



**9790 COMBINE
HYDRAULICS**

583

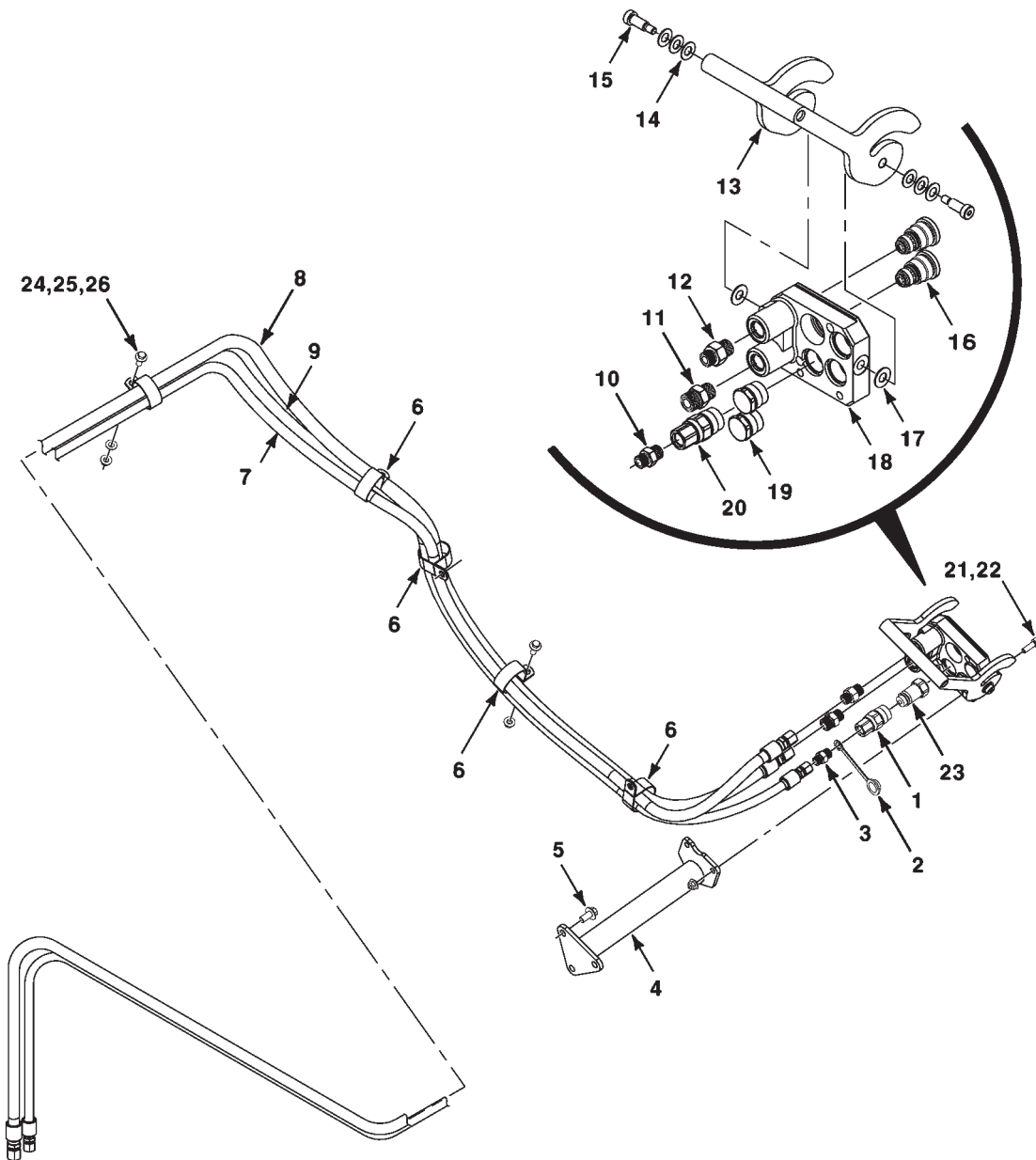
**STEERING & HEADER FUNCTIONS
(EFF. S/N HS36101)**

ITEM	NUMBER	QTY	DESCRIPTION
1	101596M92	2	TUBE-1/2 STEERING ASM
2	70921159	2	CAPSCREW, 1/4-20 X 2-1/4
3	101646M1	7	COVER PLATE
4	148022M1	7	CLAMP PAIR, DOUBLE, 1/2 X 1/2 DIA
5	71404450	2	SPACER, 3/16 TH
6	70921963	4	CAPSCREW, 1/4-20 X 2 GR5
7	70921364	1	ELBOW, 90 DEG, 3/4-16 JIC MALE
8	101589M91	2	HOSE ASM, HEADER LIFT CYL.
9	71394138	1	TUBE ASM, HEADER LIFT
10	70921472	1	TEE, UNION, 3/4-16 JIC MALE
11	70937133	1	TIE-CABLE, .30 X 14.5 LG
12	70926850	2	CLAMP, LINE, 5/8 X .281 HOLE
13	70916622	17	NUT, 1/4-20 REG
14	705012	17	LOCKWASHER, 1/4
15	70917377	9	WASHER, 1/4 WIDE
16	70916950	2	NUT, 3/8-16 REG
17	101832M1	2	BRACKET-ANGLE
18	70921210	2	CAPSCREW, 3/8-16 X 1.0
19	71398227	2	TUBE-STEERING FRONT ASM
20	70919214	4	UNION, MALE, 7/16-20 JIC
21	7703457	7	CAPSCREW, 1/4-20 X 3/4
22	71401726	2	TUBE ASM. UNLOADER SWING
23	101618M1	3	BRACKET-ANGLE
24	148039M1	3	CLAMP PAIR, DOUBLE, 1/4 X 1/4 DIA
25	70922837	3	CAPSCREW, 1/4-20 X 1-1/2 GR5
26	3619622M1	1	TIE, CABLE, .184 X 14.2 LG
27	101590M1	1	HOSE ASM, UNLOADER
28	101598M1	1	HOSE ASM, UNLOADER
29	700701834	2	ELBOW, 7/16 JIC X 9/16-18 ORB MALE
	70921885	2	O-RING, .078 X .468 ID
30	71399143	1	HYDRAULIC CYL ASY (SEE BREAKDOWN)
31	70925617	4	CLAMP, LINE, 1/2 DIA X .406 HOLE
32	70916965	2	LOCKWASHER, 3/8

MC00561

PR: 71412075-04-12

HEADER SUPPLY PLUMBING
(EFF. S/N HS36101)



**9790 COMBINE
HYDRAULICS**

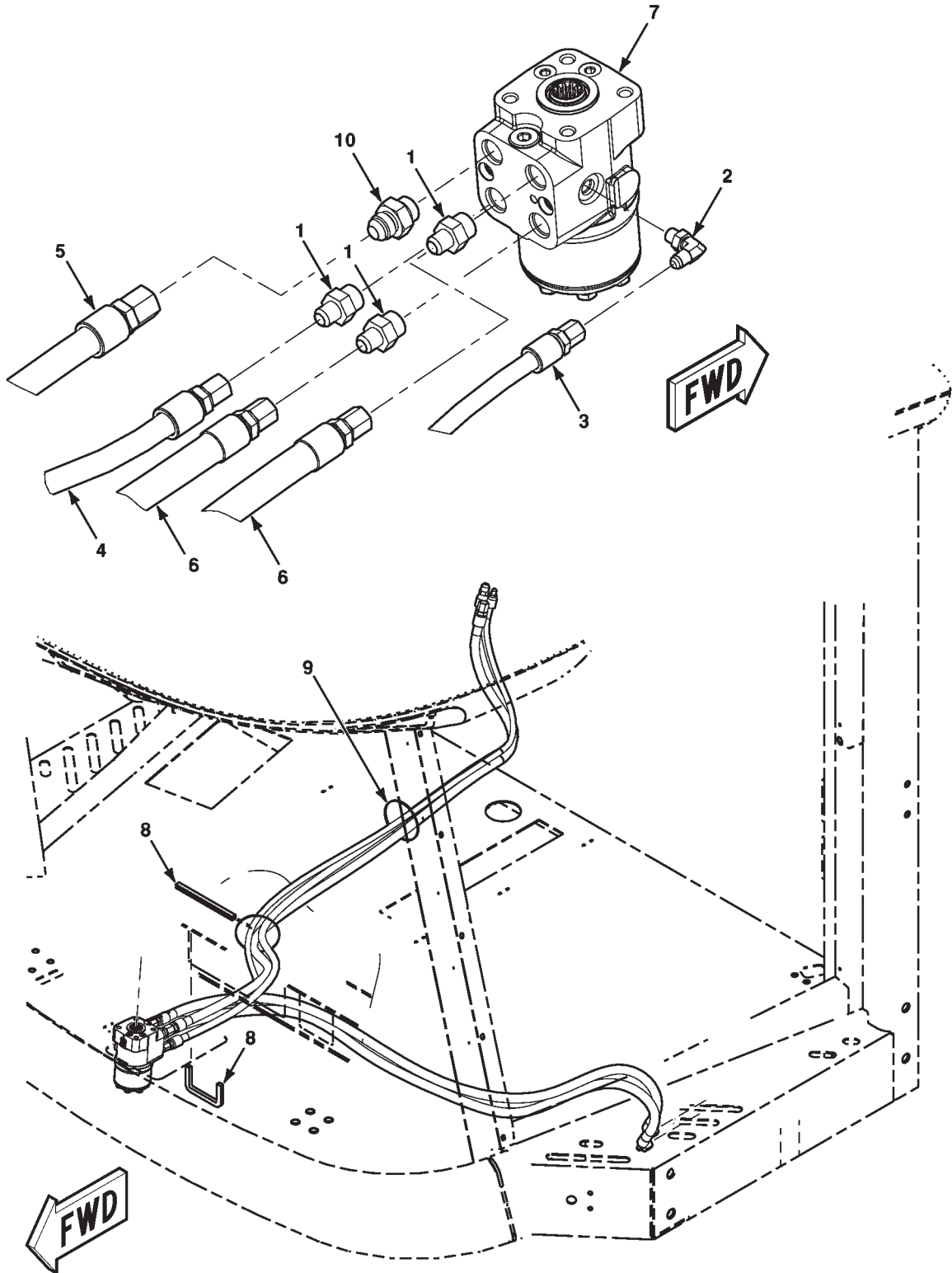
585

**HEADER SUPPLY PLUMBING
(EFF. S/N HS36101)**

ITEM	NUMBER	QTY	DESCRIPTION
1	71328362	1	COUPLING HALF, FEM, 1/4 NPTF
2	71328365	1	DUST COVER
3	70919062	1	STR CONNECTOR, 1/4 NPTF X 9/16-18 JIC M
4	71410543	1	MOUNT WA-COUPLER
5	3009219X1	3	BOLT, FLANGE, M12-1.75 X 25 CL10.9
6	7041015	6	CLAMP, TUBE, 2/1/4 DIA X .531 HOLE
7	71413431	1	HOSE ASM-REEL DRIVE RETURN
8	71412057	1	HOSE ASM-REEL DRIVE
9	71413440	1	HOSE ASM-REEL LIFT
10	700728245	1	STR CONNECTOR, 1/4 NPTF X 3/4-16 ORB
	70921349	1	O-RING, .087 X .644 ID
11	71411295	1	CONN. 1-14 ORS X 7/8-14 ORB, MALE
	70930357	1	O-RING, .070 X .614 ID
	70921205	1	O-RING, .097 X .755 ID
12	71411843	1	CONN. 13/16-16 ORS X 7/8-14 ORB, MALE
	70923841	1	O-RING, .070 X .489 I.D.
	70921205	1	O-RING, .097 X .755 ID
13	71411849	1	LEVER-PARKER COUPLER
14	71411848	6	WASHER-SPRING, PARKER CPLR
15	71411846	2	SCREW-PARKER CPLR HANDLE
16	71418944	2	COUPLER CARTRIDGE, PARKER 1/2
17	71411847	2	WASHER, PARKER CPLR
18	71411315	1	PLATE-PARKER CPLR FIXED
19	71411300	2	PLUG-PARKER CPLR
20	71411296	1	CPLR-PARKER 3/8 CARTR FIXED
21	3000258X1	2	SCREW, HEX SOCK, M10-1.5 X 40 CL10.9
22	700711876	2	NUT, FLANGE LOCK, M10 X 1.5
23	71328361	1	COUPLER HALF, MALE, 1/4 NPTF FEM
24	70921210	1	CAPSCREW, 3/8-16 X 1.0 GR5
25	70916965	1	LOCKWASHER, 3/8
26	70916950	1	NUT, 3/8-16 REG

MC00563
PR: t07a23o20b0014

STEERING UNIT PLUMBING
(EFF. S/N HS36101)



9790 COMBINE
HYDRAULICS

587

STEERING UNIT PLUMBING
(EFF. S/N HS36101)

ITEM	NUMBER	QTY	DESCRIPTION
1	360202X91	3	CONNECTOR, 9/16-18 JIC X 3/4-16 ORB
	70921349	1	O-RING, .087 X .644 ID
2	70922571	1	ELBOW, 90 DEG, 7/16-20 JIC X ORB
	70921883	1	O-RING .072 X .351 ID
3	71392872	1	HOSE, ASM-LS TO SCU
4	71398981	1	HOSE ASM-PRESS. TO SCU
5	71398980	1	HOSE ASM-RETURN, SCU
6	71392875	2	HOSE ASM-SCU TO STRG. CYL.
7	71392876	1	STEERING CONTROL UNIT
	71391083	1	SEAL KIT, SCU
8	71387797	2	EDGE PROTECTOR
9	70937133	3	TIE, SELF-LOCKING .300 X 14.5 LG.
10	846337	1	CONNECTOR, STR, 3/4-16 JIC X ORB
	70921349	1	O-RING, .087 X .644 ID

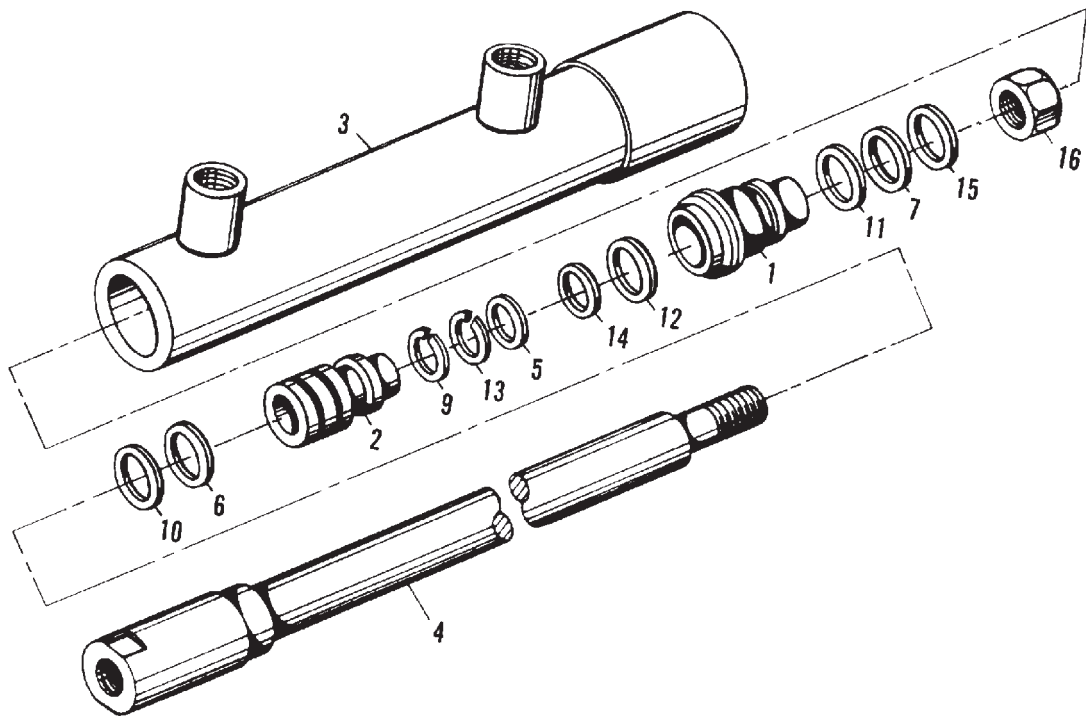
MC00564

PR: t07a23o20b0015

588

9790 COMBINE
HYDRAULICS

STEERING CYLINDER
STD. ADJUSTABLE AXLE
(PRIOR S/N HP36101)



71365245

9790 COMBINE
HYDRAULICS

589

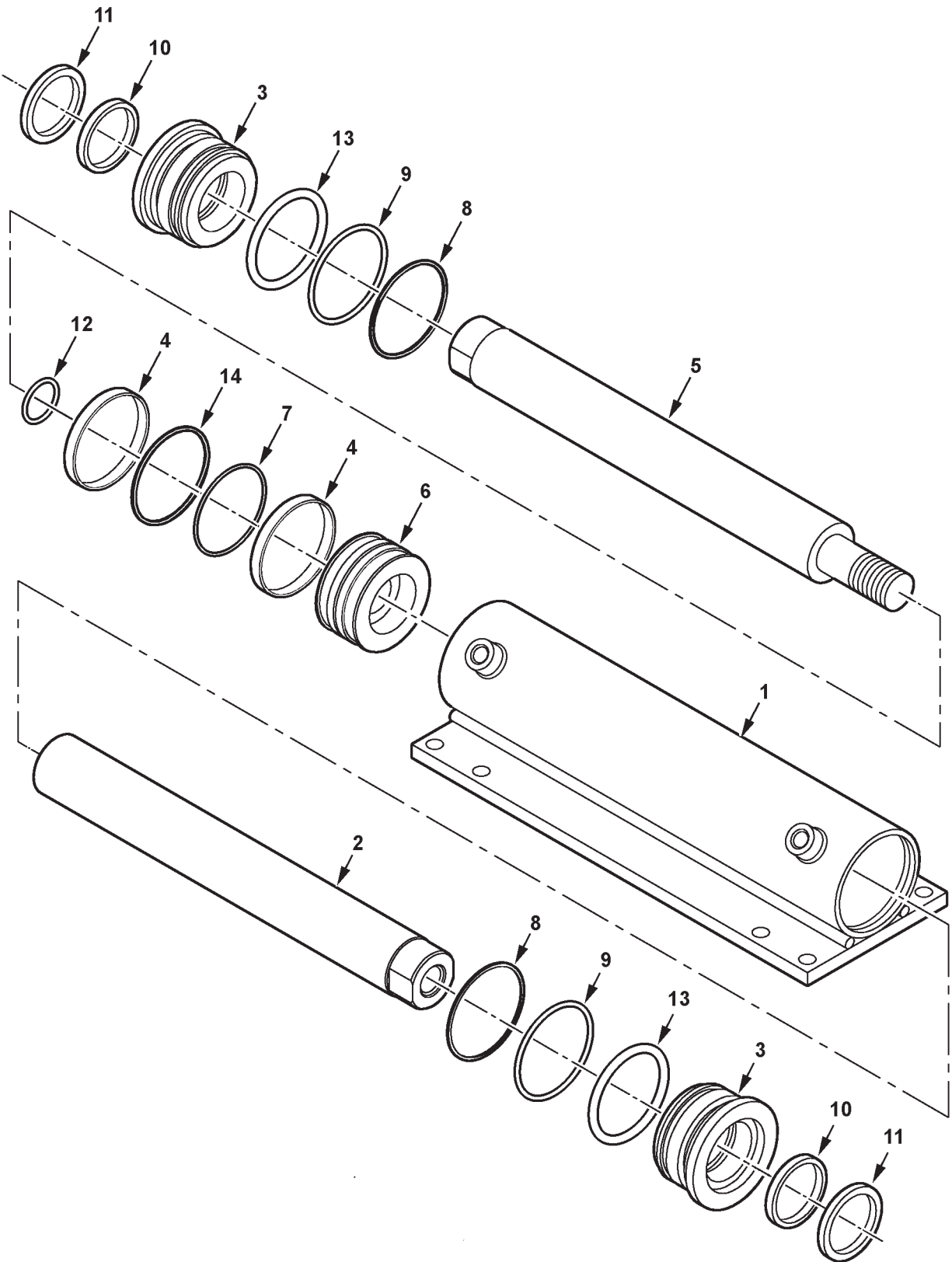
STEERING CYLINDER
STD. ADJUSTABLE AXLE
(PRIOR S/N HP36101)

ITEM	NUMBER	QTY	DESCRIPTION
-	71365245	AR	CYLINDER ASY., POWER STEERING (COMPLETE)
1	71366126	1	PISTON
2	71365102	1	BEARING
3	-----	1	BARREL ASY. (NOT SERVICED, ORDER COMPLETE ASY.)
4	71366127	1	ROD ASY., PISTON
5	-----	1	* WASHER, BACK UP
6	-----	1	* SEAL
7	-----	1	* RING, SLIPPER
9	-----	1	* RING, RETAINING
10	-----	1	* SEAL, WIPER
11	-----	1	* O-RING
12	-----	1	* O-RING
13	-----	1	* RING, LOCK
14	-----	1	* O-RING
15	-----	1	* RING, WEAR
16	10171	1	NUT
-	71365114	AR	KIT, SEAL (INCLS. * ITEMS)

* SERVICED ONLY IN SEAL KIT

71365245
PR: 338

STEERING CYLINDER
STD. ADJUSTABLE AXLE
(EFF. S/N HP36101)



9790 COMBINE
HYDRAULICS

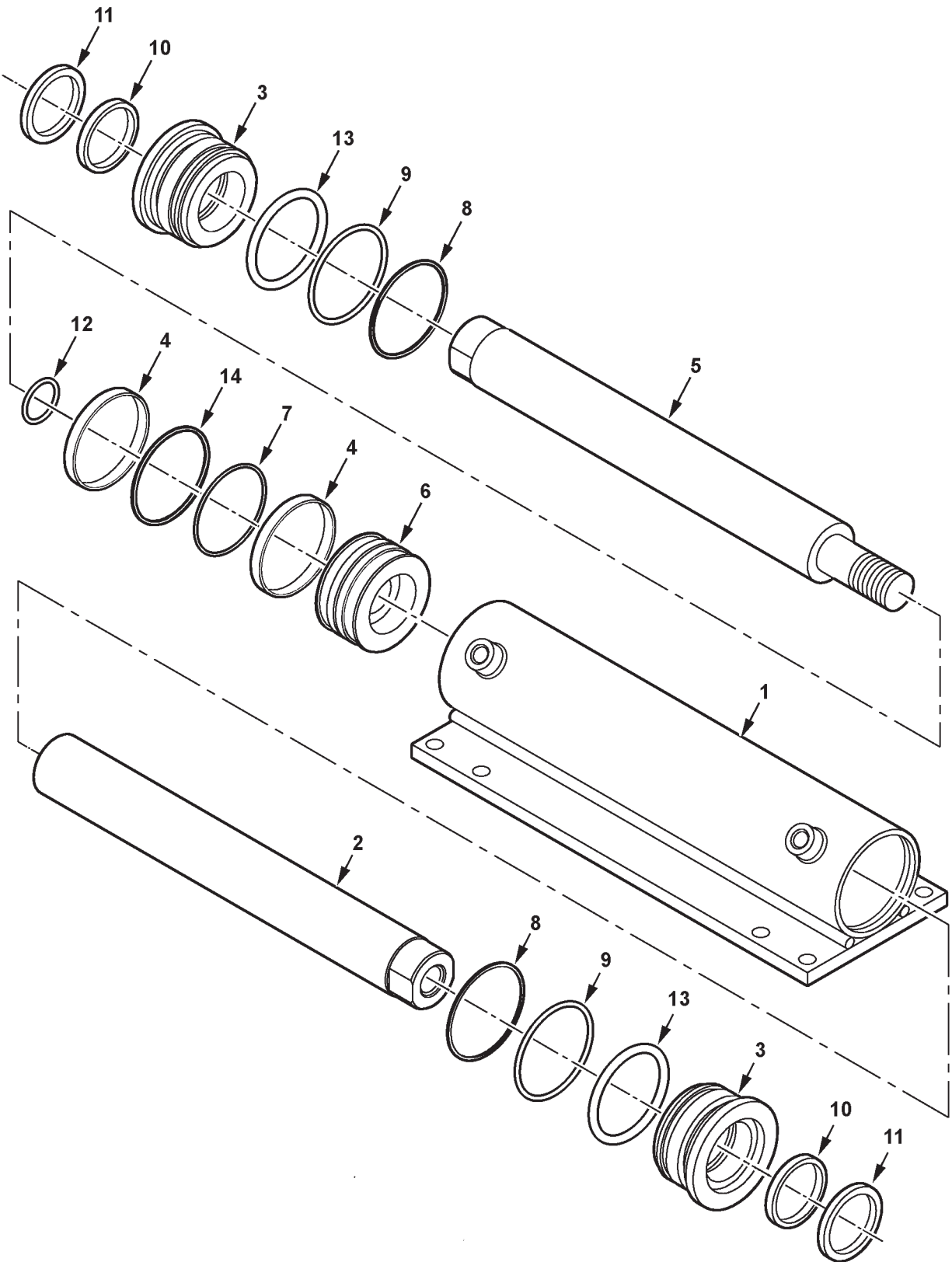
591

STEERING CYLINDER
STD. ADJUSTABLE AXLE
(EFF. S/N HP36101)

ITEM	NUMBER	QTY	DESCRIPTION
-	71400719	AR	CYLINDER ASY, STRG (INCLUDES FOLLOWING) (SERVICE COMPLETE CYL. W/ 71406366)
1	71396618	1	HOUSING, CYL.
2	71406296	1	ROD, CYL. INT'L THD
3	71396620	2	HEAD
4	71396621	2	RING, WEAR
5	71406297	1	ROD, CYL. EXT'L THD
6	71396623	1	PISTON
7	----	1	* O-RING
8	----	2	* O-RING
9	----	2	* RING, BACKUP
10	----	2	* U-CUP SEAL
11	----	2	* WIPER SEAL
12	----	1	* O-RING
13	----	2	* RETAINING WIRE
14	----	1	* SEAL, PISTON
-	71396624	AR	SEAL KIT (* ITEMS, SERVICED IN KIT ONLY)
-	71406366	AR	CYLINDER ASY, STRG (INCLUDES FOLLOWING)
-	71412169	AR	SEAL KIT (SOLE SERVICE ITEM)

MCO0360
PR: t05b08m42d0021

STEERING CYLINDER
RWA AXLE



9790 COMBINE
HYDRAULICS

593

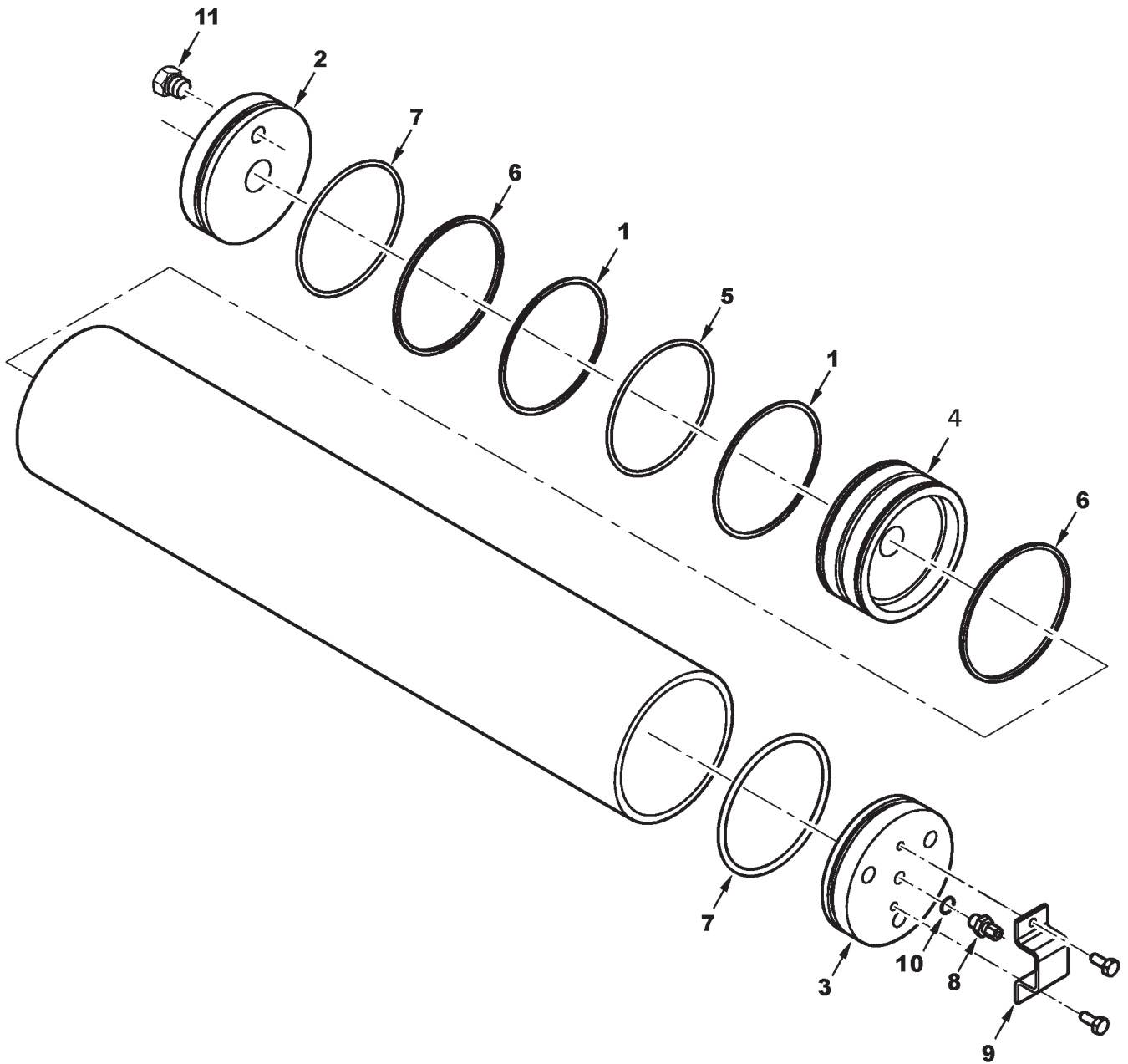
STEERING CYLINDER
RWA AXLE

ITEM	NUMBER	QTY	DESCRIPTION
-	71396617	AR	CYLINDER ASY, RWA STEERING (COMPLETE)
1	71396618	1	HOUSING, CYL.
2	71396619	1	ROD, CYL. INT'L THD
3	71396620	2	HEAD
4	71396621	2	RING, WEAR
5	71396622	1	ROD, CYL. EXT'L THD
6	71396623	1	PISTON
7	----	1	* O-RING
8	----	2	* O-RING
9	----	2	* RING, BACKUP
10	----	2	* U-CUP SEAL
11	----	2	* WIPER SEAL
12	----	1	* O-RING
13	----	2	* RETAINING WIRE
14	----	1	* SEAL, PISTON
-	71396624	AR	SEAL KIT (INCL. * ITEMS)

* SERVICED ONLY IN SEAL KIT

MC00360
PR: 340

ACCUMULATOR
PARKER



9790 COMBINE
HYDRAULICS

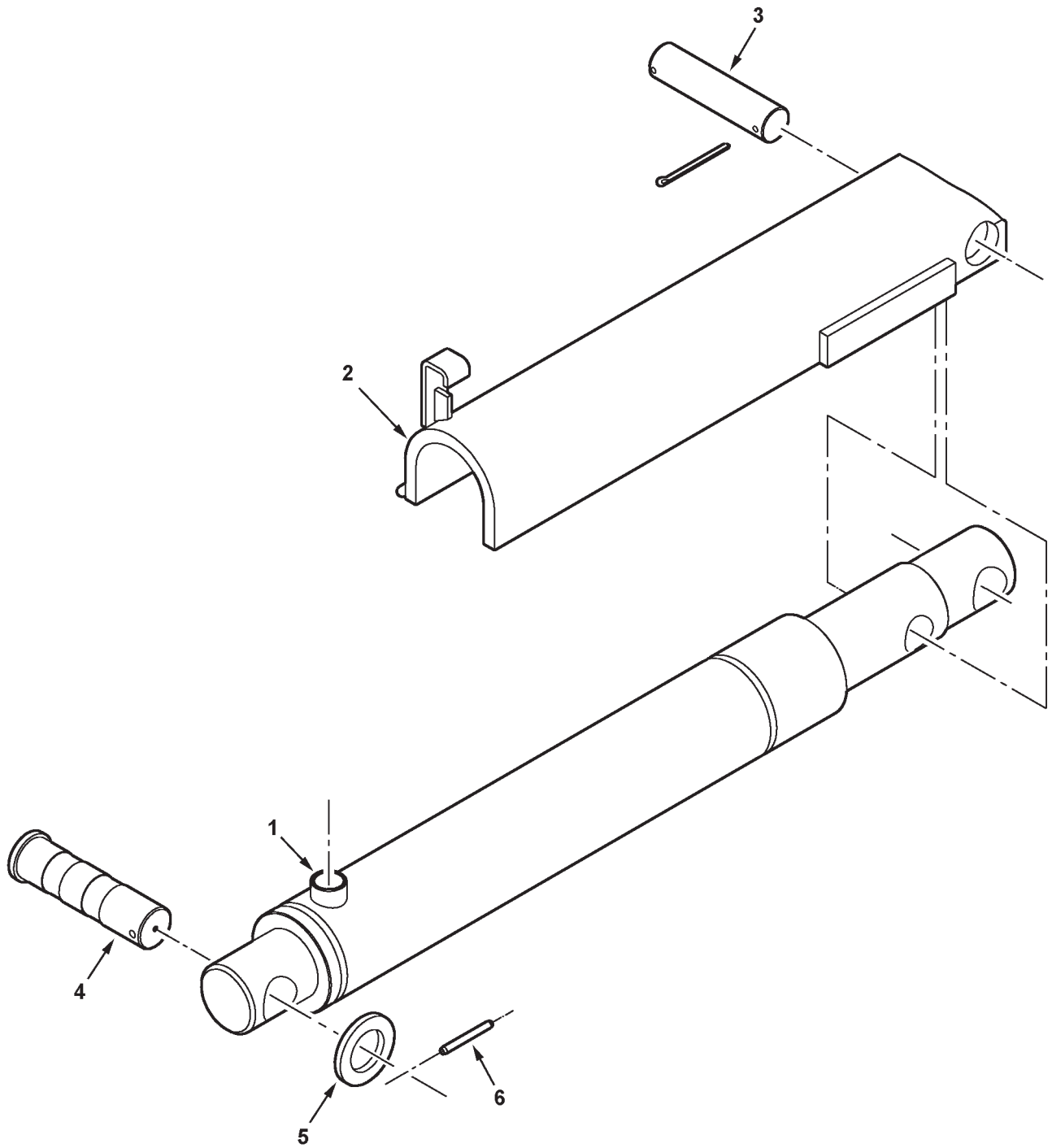
595

ACCUMULATOR
PARKER

ITEM	NUMBER	QTY	DESCRIPTION
-	700712632	AR	ACCUMULATOR ASY. (INCL. DECALS & ITEMS 1-10)
1	-----	2	RING, TEFLON (BACKUP)
2	700712651	1	CAP, HYDRAULIC
3	700712652	1	CAP, GAS
4	700710957	1	PISTON
5	-----	1	V, O-RING
6	-----	2	RING, TEFLON, PISTON
7	-----	2	SEAL, BODY END
8	72507231	1	VALVE, GAS
	700710959	1	CORE, GAS VALVE
9	700710960	1	PROTECTOR, VALVE
10	-----	1	O-RING, VALVE
11	357194X1	1	PLUG ASY, 9/16-18 ORB
	70921885	1	O-RING, .078 X .468 ID
-	700710961	AR	KIT, SEAL (INCL. ITEMS 1, 5-8 & 10)

71370918
PR: t04g19h02a0001

HEADER LIFT CYLINDERS



9790 COMBINE
HYDRAULICS

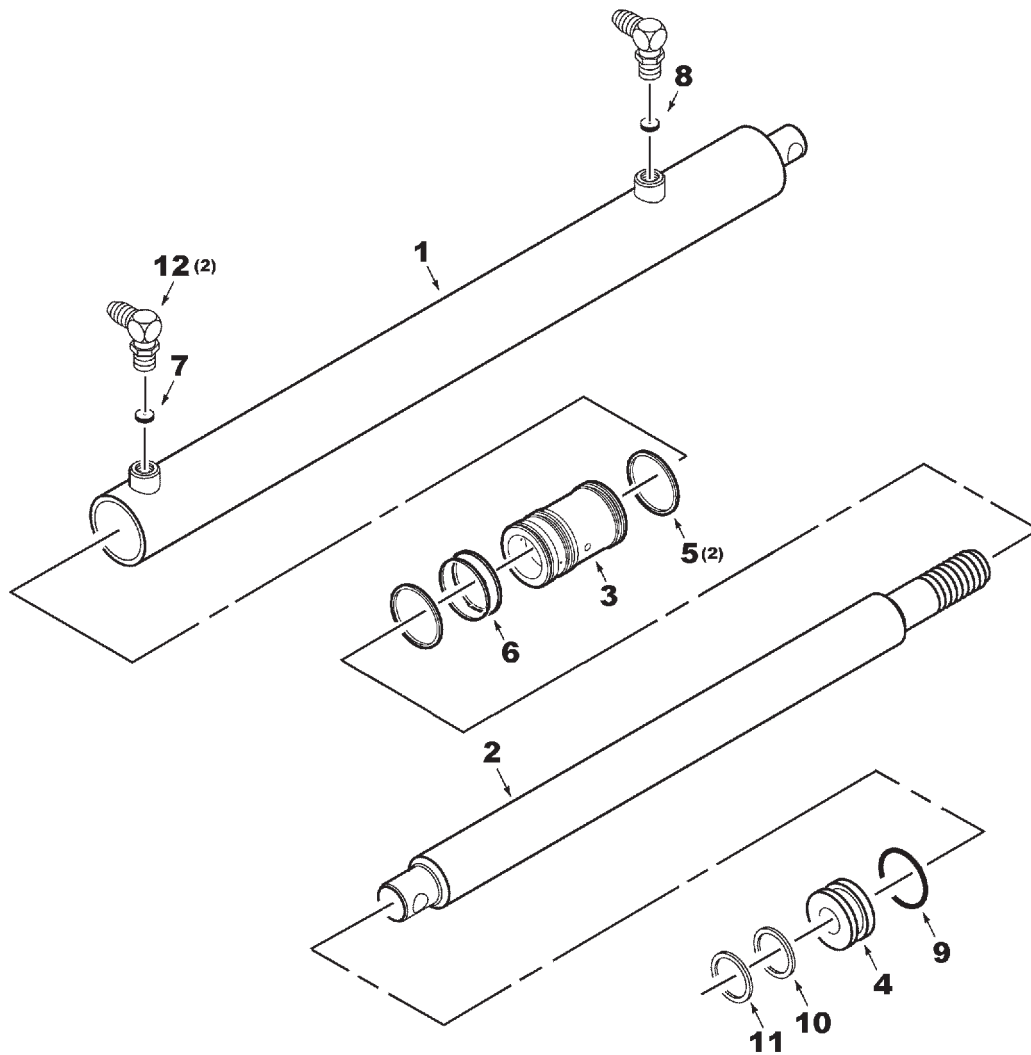
597

HEADER LIFT CYLINDERS

ITEM	NUMBER	QTY	DESCRIPTION
1	116626W1	2	HYDRAULIC CYLINDER, 3"
	71384407	1	PISTON ROD
	71384406	1	BARREL ASSEMBLY
	71384414	1	SEAL KIT
	116627W1	2	HYDRAULIC CYLINDER, 2-3/4"
	71384412	1	PISTON ROD
	71384411	1	BARREL ASSEMBLY
	71384413	1	SEAL KIT
2	116757W1	1	STOP WLDMT, 2-3/4 DIA CYL.
	116759W1	1	STOP WLDMT, 3 DIA CYL.
3	71364024	1	PIN, SAFETY STOP
	70919431	2	COTTER PIN, 3/16 X 2-1/2
4	71364016	4	PIN, HYD. CYLINDER
5	70933818	4	WASHER, 1.53 ID X 2.5 X .25
6	63834	4	PIN, SPIROL, .25 X 2.25
	70910815	AR	WIRE, 16 GA. (CUT TO LENGTH)

MC00105
PR: 342

UNLOADER SWING CYLINDER



9790 COMBINE
HYDRAULICS

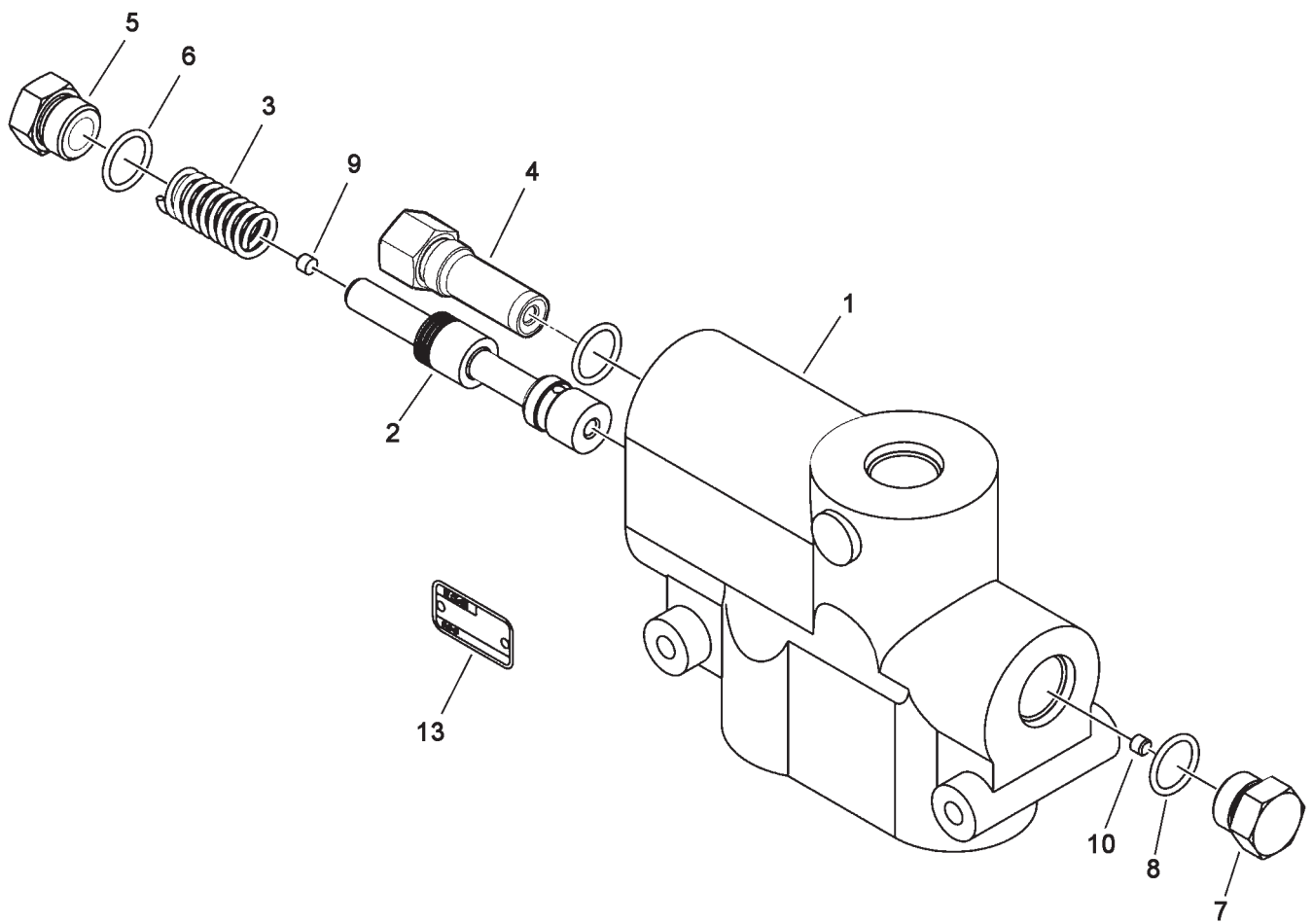
599

UNLOADER SWING CYLINDER

ITEM	NUMBER	QTY	DESCRIPTION
-	112785W92	1	CYLINDER ASY, UNLDR SWING (PRIOR S/N HN36101)
-	71399143	1	CYLINDER ASY, UNLDR SWING (EFF. S/N HN36101)
-	71377945	1	SEAL PKG. (INCL. ITEMS 5,6,9,10,11)
1	116147W91	1	BARREL ASSEMBLY
2	116146W1	1	PISTON ROD
3	116145W1	1	PISTON
4	116143W1	1	HEAD PLATE
5	-----	2	RING, PISTON CAST
6	-----	1	SEAL RING W/ EXPANDER RING, PISTON
7	116149W1	1	ORIFICE PL, THREADED, .0469 DIA. (PRIOR S/N HN36101)
	71401738	1	ORIFICE PL, THREADED, .040 DIA. (EFF. S/N HN36101)
8	116148W1	1	ORIFICE PL, THREADED, .0595 DIA. (PRIOR S/N HN36101)
	71401738	1	ORIFICE PL, THREADED, .040 DIA. (EFF. S/N HN36101)
9	70924114	1	O-RING, .139 X 1.734 ID
10	-----	1	ROD SEAL
11	-----	1	WIPER SEAL
12	70925011	2	ELBOW, 9/16-18 ORB X 7/16-20, 37 DEG FLR
	70921885	2	O-RING, .078 X .468 ID

MCO0106A
PR: 344

PRIORITY VALVE



9790 COMBINE
HYDRAULICS

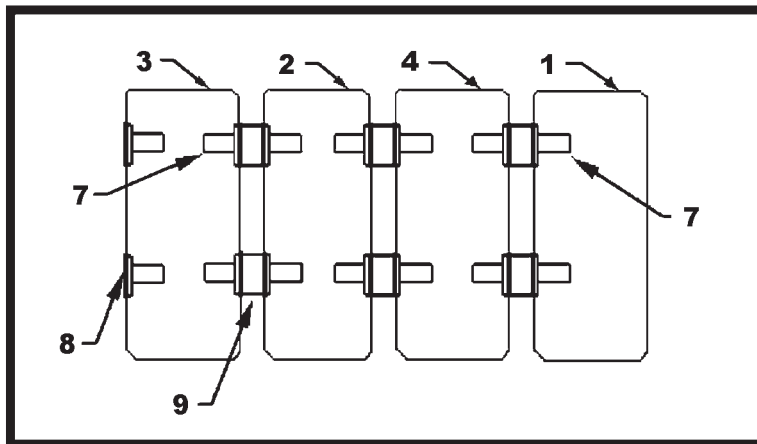
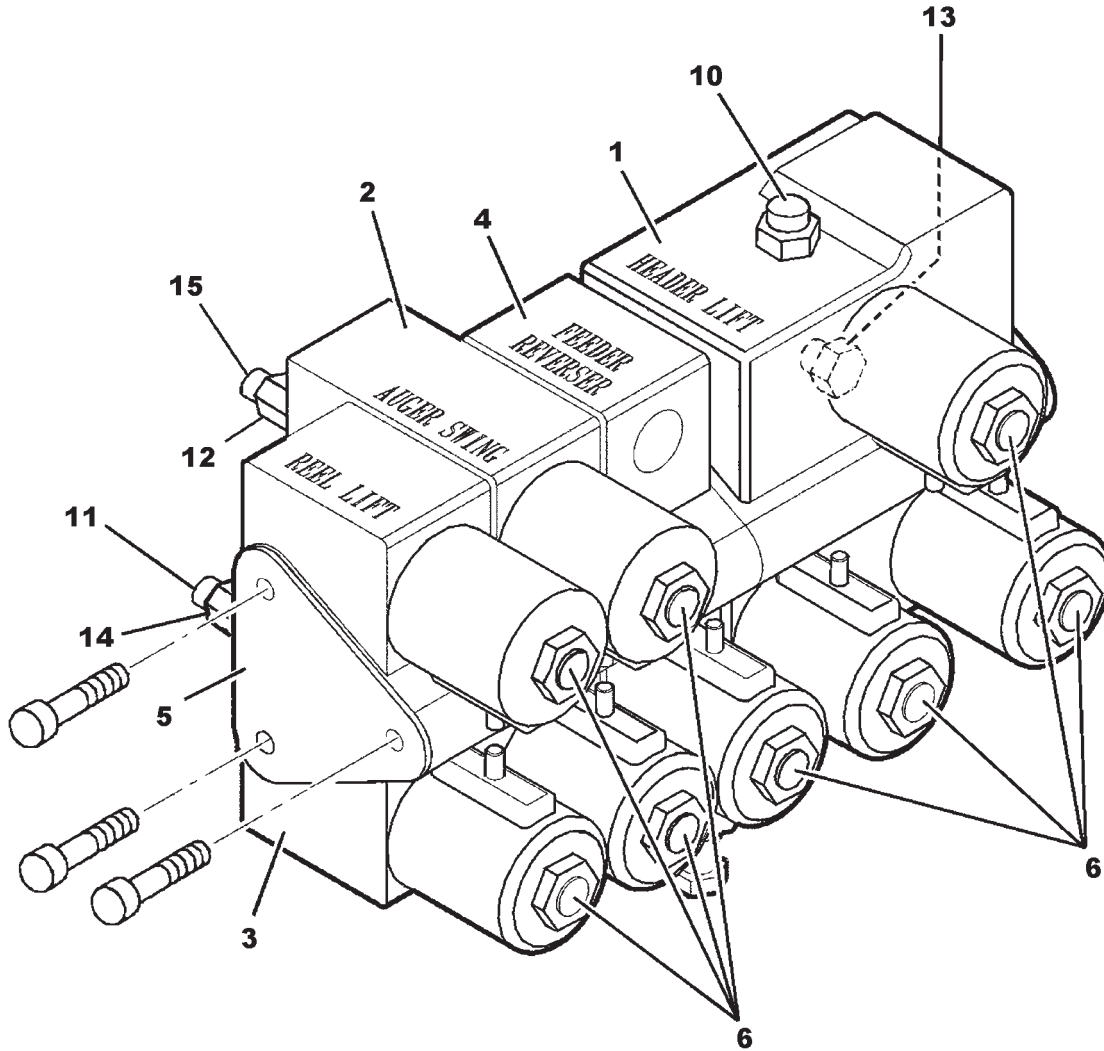
601

PRIORITY VALVE

ITEM	NUMBER	QTY	DESCRIPTION
-	71391453	1	PRIORITY VALVE ASY
1	-----	1	BODY (NOT SERVICED)
2	71392852	1	SPOOL
3	71392853	1	SPRING (150 PSI)
4	71414221	1	VALVE ASY, RELIEF
5	71392854	1	PLUG, ORIFICE
6	70913719	1	O-RING
7	71392855	1	PLUG
8	70913719	1	O-RING
9	71392856	1	SCREW, ORIFICE
10	71392857	1	SCREW, ORIFICE
13	-----	1	NAME PLATE (NOT SERVICED)

71391453
PR: 346

CONTROL VALVE STACK
(PRIOR S/N HS36101)



TUBE & PLUG ASSEMBLY

**9790 COMBINE
HYDRAULICS**

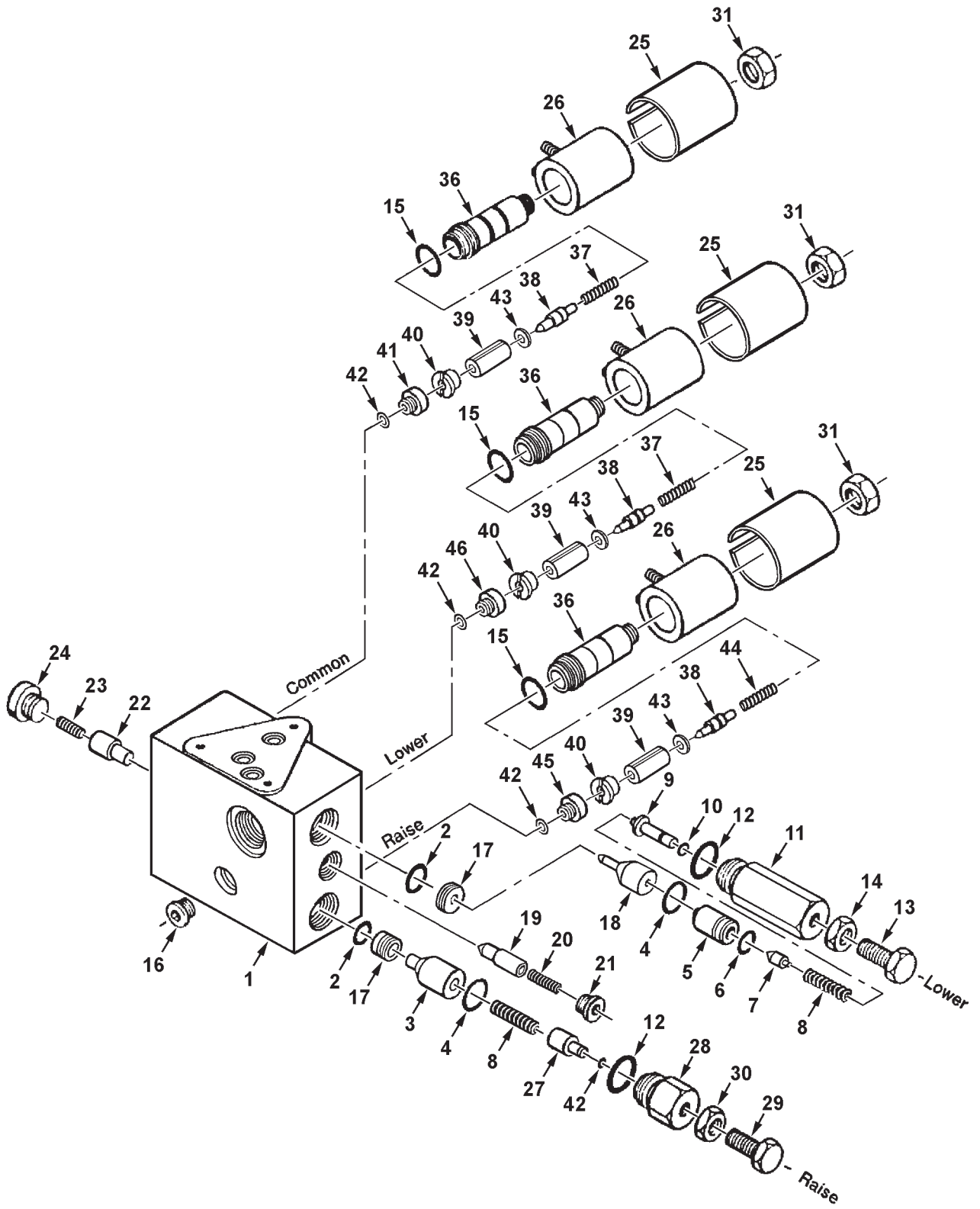
603

**CONTROL VALVE STACK
(PRIOR S/N HS36101)**

ITEM	NUMBER	QTY	DESCRIPTION
-	71389737	1	VALVE STACK ASSEMBLY
1	71379325	1	VALVE ASSEMBLY, HEADER CLOSED CTR.
2	116465W91	1	VALVE ASSEMBLY, UNLOADER SWING
3	103766W92	1	VALVE ASSEMBLY, REEL LIFT
4	71386557	1	VALVE ASY, FEEDER REVERSER
	70935781	1	ELBOW, 90 DEG, 3/4-16 JIC X ORB, M
	70921349	1	O-RING, .087 X .644 ID
5	103764W1	1	END PLATE
	71379306	3	BOLT, HEX 1/4-20 X 5-13/16 LG
	70921880	3	WASHER, LOCK EXT. TOOTH 1/4
6	71188504	AR	COIL, 6VDC W/DIODE
	71188503	AR	COVER, COIL
	70915314	AR	NUT, STAMPED 1/2-20
7	1052370M91	6	THRU TUBE ASSEMBLY
	70924048	2	O-RING, .070 X .364 ID
8	103759W91	2	PLUG TUBE ASSEMBLY
	70924048	2	O-RING, .070 X .364 ID
9	104145W91	1	PLUG TUBE ASSEMBLY
	70927903	2	O-RING, .070 X .176 ID
10	70923163	1	STR. CONNECTOR, 7/16-20 JIC X ORB, MALE
	70921883	1	O-RING, .072 X .351 ID
11	70922523	1	ELBOW, 90 DEG, 9/16-18 JIC X ORB, MALE
	70921885	1	O-RING, .078 X .468 ID
12	70930777	2	REDUCER, 3/4-16 ORB X 9/16-18 ORB, FEM
	70921349	2	O-RING, .087 X .644 ID
13	70923717	2	CONNECTOR, STR, 3/4-16 JIC X 7/8-14 ORB
	70921205	2	O-RING, .097 X .755 ID
14	103778W91	1	EXPANDER, 7/16-20 ORB X 9/16-18 ORB, FEM
	70921883	1	O-RING, .072 X .351 ID
15	70925011	2	ELBOW, 90 DEG, 7/16-20 JIC X 9/16-18 ORB
	70921885	2	O-RING, .078 X .468 ID

MC00210A
PR: 348

HEADER LIFT VALVE



9790 COMBINE
HYDRAULICS

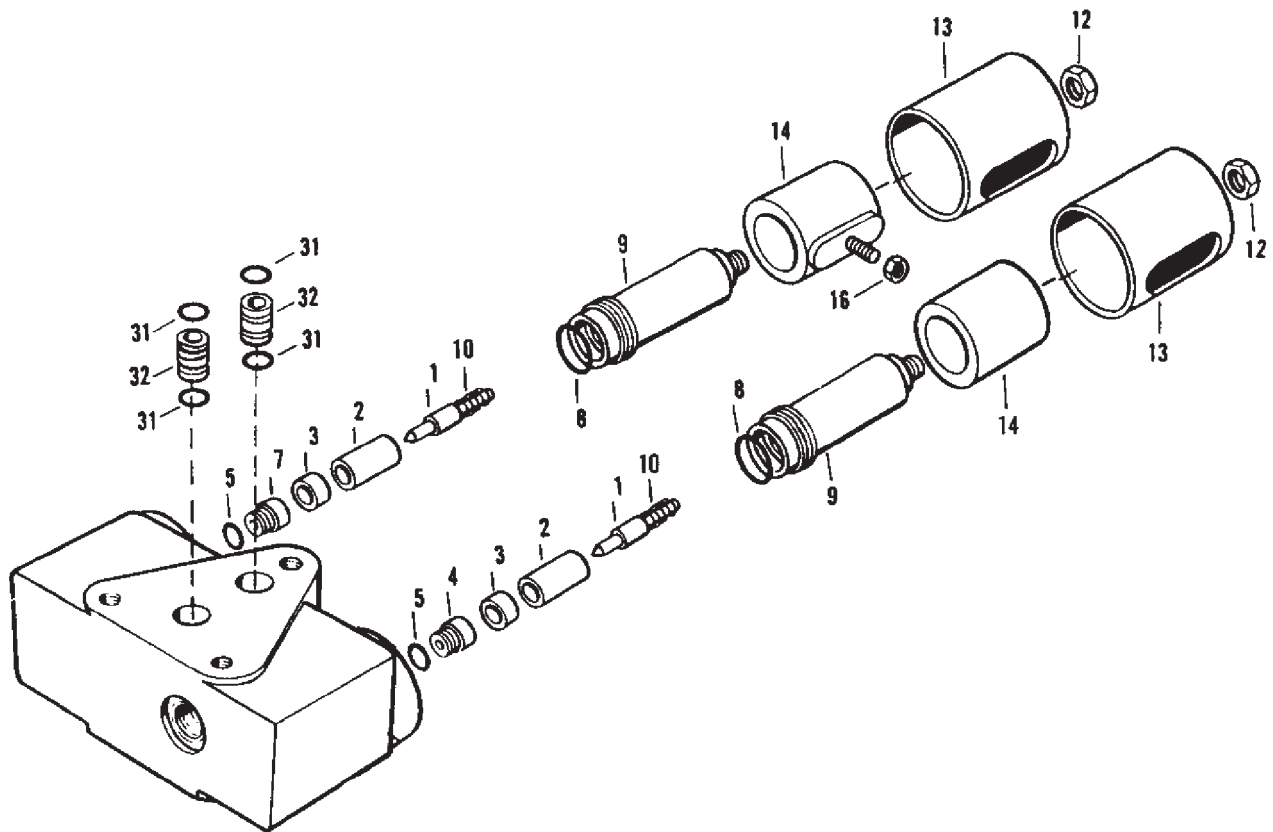
605

HEADER LIFT VALVE

ITEM	NUMBER	QTY	DESCRIPTION
-	71379325	1	VALVE ASSEMBLY, HEADER LIFT
1	-----	1	BODY (ORDER VALVE ASY, HEADER LIFT)
	1052370M91	2	TUBE/SPACER ASY.
	70924048	4	O-RING, .070 X .364 ID
	104145W91	1	PLUG
	70927903	2	O-RING, .070 X .176 ID
2	70926542	2	O-RING, .070 X .551 ID
3	103745W1	1	POPPET, RAISE
4	70923945	2	O-RING, .070 X .739 ID
5	103746W1	1	RETAINER, DASHPOT
6	70923846	1	O-RING, .070 X .489 ID
7	103797W1	1	POPPET, DASHPOT
8	1052337M1	2	SPRING
9	111089W1	1	STOP, ADJUSTABLE
10	70923943	1	O-RING, .070 X .114 ID
11	1052351M1	1	PLUG, ADJUSTING
12	70921205	2	O-RING, 90 DUR, .097 X .755 ID
13	353538X1	1	BOLT, HEX, 3/8-24 X 1
14	70916602	1	NUT, HEX, 3/8-24
15	70935902	3	O-RING (VITON) .070 X .801 ID
16	70935830	1	PLUG, INT. HEX, 9/16-18 ORB
	70921885	1	O-RING, .078 X .468 ID
17	1052349M1	2	ORIFICE, FLOW
18	103747W1	1	POPPET, LOWER
19	103753W1	1	POPPET
20	1052394M1	1	SPRING, PLUG
21	70928605	1	PLUG, HEX SOCKET, 7/16-20 ORB
	70921883	1	O-RING, .072 X .351 ID
22	104128W1	1	POPPET
23	103789W1	1	SPRING
24	104130W91	1	PLUG ASSEMBLY
	70921881	1	O-RING, .064 X .239 ID
25	71188503	3	COVER, COIL
26	71188504	3	COIL
27	103796W1	1	ADJUSTABLE VALVE STOP
28	103754W1	1	CAP, END
29	70921333	1	BOLT, HEX, 5/16-18 UNC X 1
30	70917372	1	NUT, HEX 5/16-18 UNC
31	70915314	3	NUT, STAMPED, 1/2-20
36	104139W91	3	SLEEVE ASSEMBLY
37	71174718	2	SPRING, PLUG
38	71176951	3	POPPET
39	71365101	3	ARMATURE
40	71176964	3	POLE PIECE
41	1052341M1	1	ORIFICE, .104
42	70926356	4	O-RING, .070 X .239 ID
43	71176962	3	WASHER
44	1073032M1	1	SPRING, PLUG (RAISE ONLY)
45	71184415	1	ORIFICE, .055 (RAISE ONLY)
46	71184418	1	ORIFICE, .040 (LOWER ONLY)

MC00233
PR: 350

REEL LIFT VALVE



9790 COMBINE
HYDRAULICS

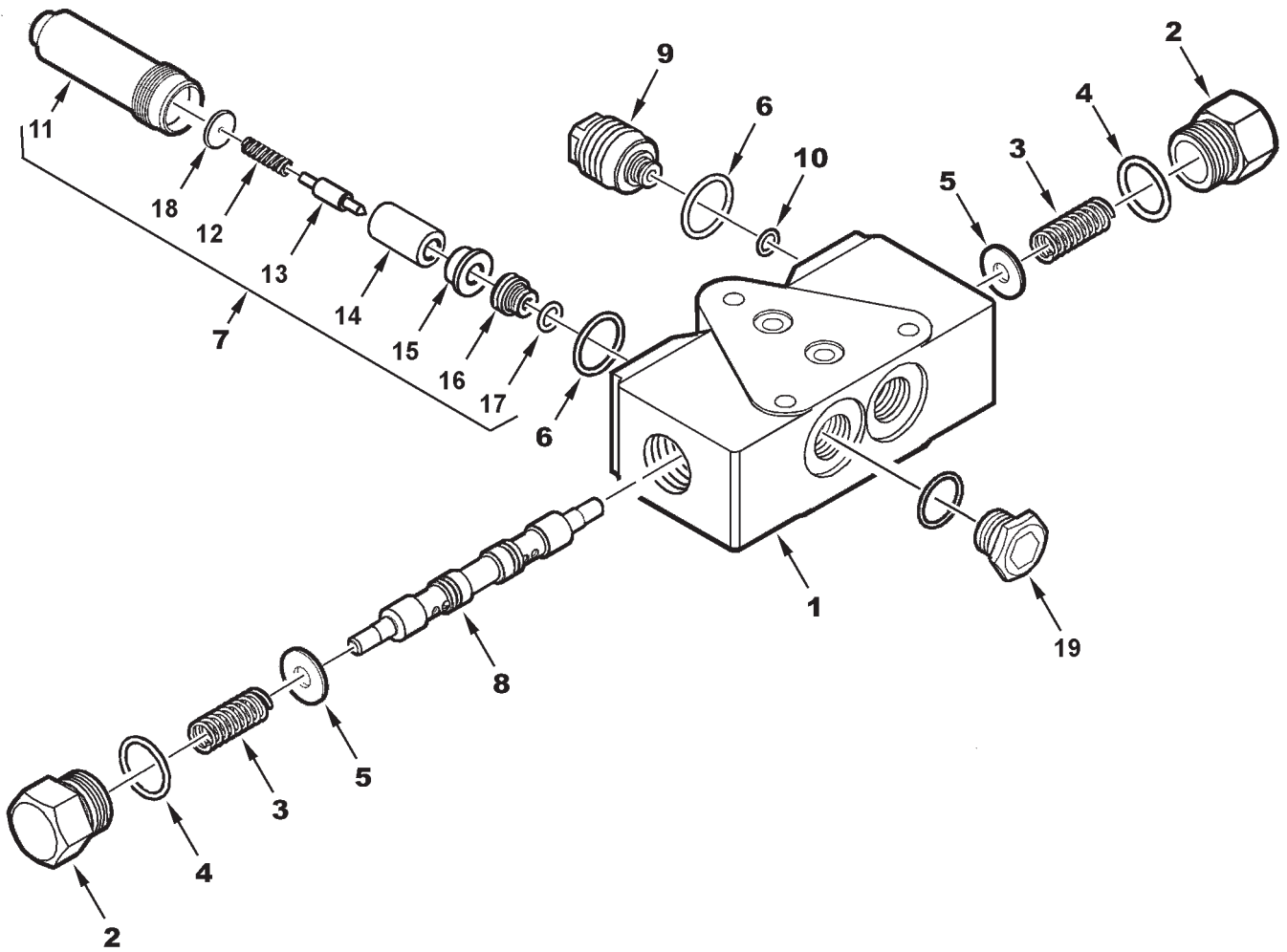
607

REEL LIFT VALVE

ITEM	NUMBER	QTY	DESCRIPTION
-	103766W92	2	REEL LIFT VALVE ASSEMBLY
1	71176951	2	POPPET, ORIFICE
2	71176963	2	POPPET, ARMATURE
3	71176964	2	RETAINER
4	71184418	1	ORIFICE, .040, RAISE
5	70926356	2	O-RING, .070 X .239 ID
7	1052384M1	1	ORIFICE, .048, LOWER
8	70930897	2	O-RING, .070 X .801 ID
9	1052359M91	2	SLEEVE ASSEMBLY
10	1073032M1	2	SPRING
12	70915314	2	PALNUT, 1/2-20
13	71188503	2	COVER, COIL
14	71188504	2	COIL, W/DIODE
16	358990X1	2	NUT, HEX BRASS, #10-32 UNF
31	70924048	4	O-RING, .070 X .364 ID
32	1052370M91	2	THRU-TUBE ASSEMBLY (INCL. 2 OF ITEM 31)

MC00112
PR: 352

FEEDER REVERSER VALVE



9790 COMBINE
HYDRAULICS

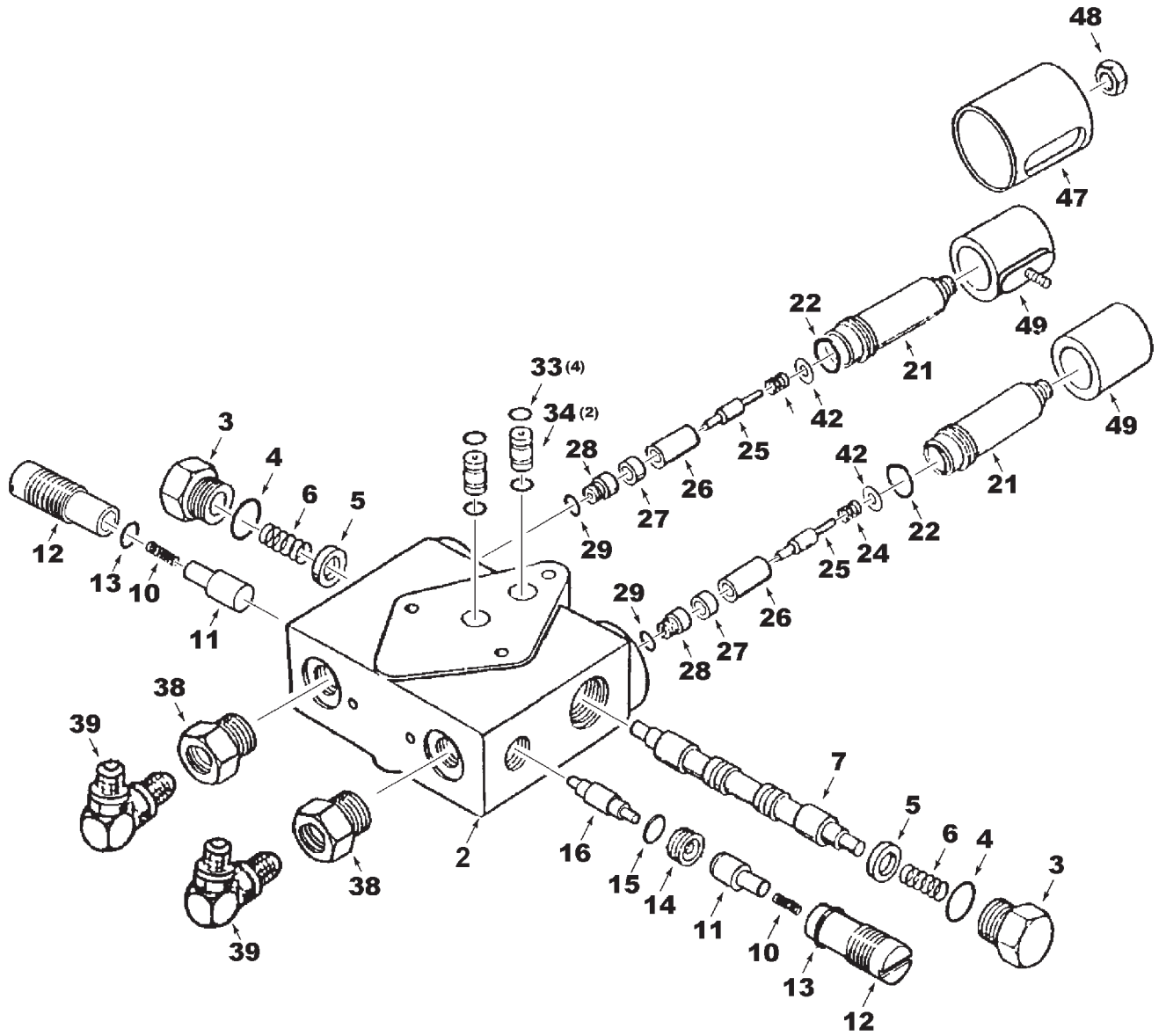
609

FEEDER REVERSER VALVE

ITEM	NUMBER	QTY	DESCRIPTION
-	71389747	-	VALVE ASY. FEEDER REVERSER, W/COIL (INCL. FOLLOWING 4 ITEMS)
-	71188504	1	COIL, 6V, W/DIODE
-	71188503	1	COVER, COIL
-	70915314	1	NUT, STAMPED, 1/2-20
-	71386557	1	VALVE ASY. FEEDER REVERSER, W/O COIL (INCL. ITEMS 1-10)
1	-----	-	BODY, VALVE (ORDER COMPLETE ASSEMBLY)
2	71184401	2	END CAP, HEX
3	71184409	2	SPRING
4	70921205	2	O-RING, .097 X .755 ID
5	71300327	2	RETAINER, SPRING
6	70935902	2	* O-RING, VITON, .070 X .801 ID
7	71374785	1	PILOT ASY, NORMALLY CLOSED (INCL. ITEMS 11-18)
8	71502674	1	SPOOL
9	71386572	1	PLUG, STACK
10	70926356	1	O-RING, .070 X .239 ID
11	104139W91	1	SLEEVE ASY, THREADED
12	71174718	1	SPRING
13	71361243	1	* POPPET, NORM. CLOSED
14	71365101	1	ARMATURE
15	71176964	1	POLE PIECE
16	71184418	1	* ORIFICE, .040 DIA
17	70926356	1	* O-RING, .070 X .239 ID
18	71176962	1	WASHER
19	70927999	1	PLUG, HEX SOCKET HD, 3/4-16 ORB
	70921349	1	O-RING, .087 X .644 ID
-	71361312	AR	POPPET KIT, PILOT ASY (INCL ITEMS W/ *)

71386557
PR: 354

UNLOADER SWING VALVE



9790 COMBINE
HYDRAULICS

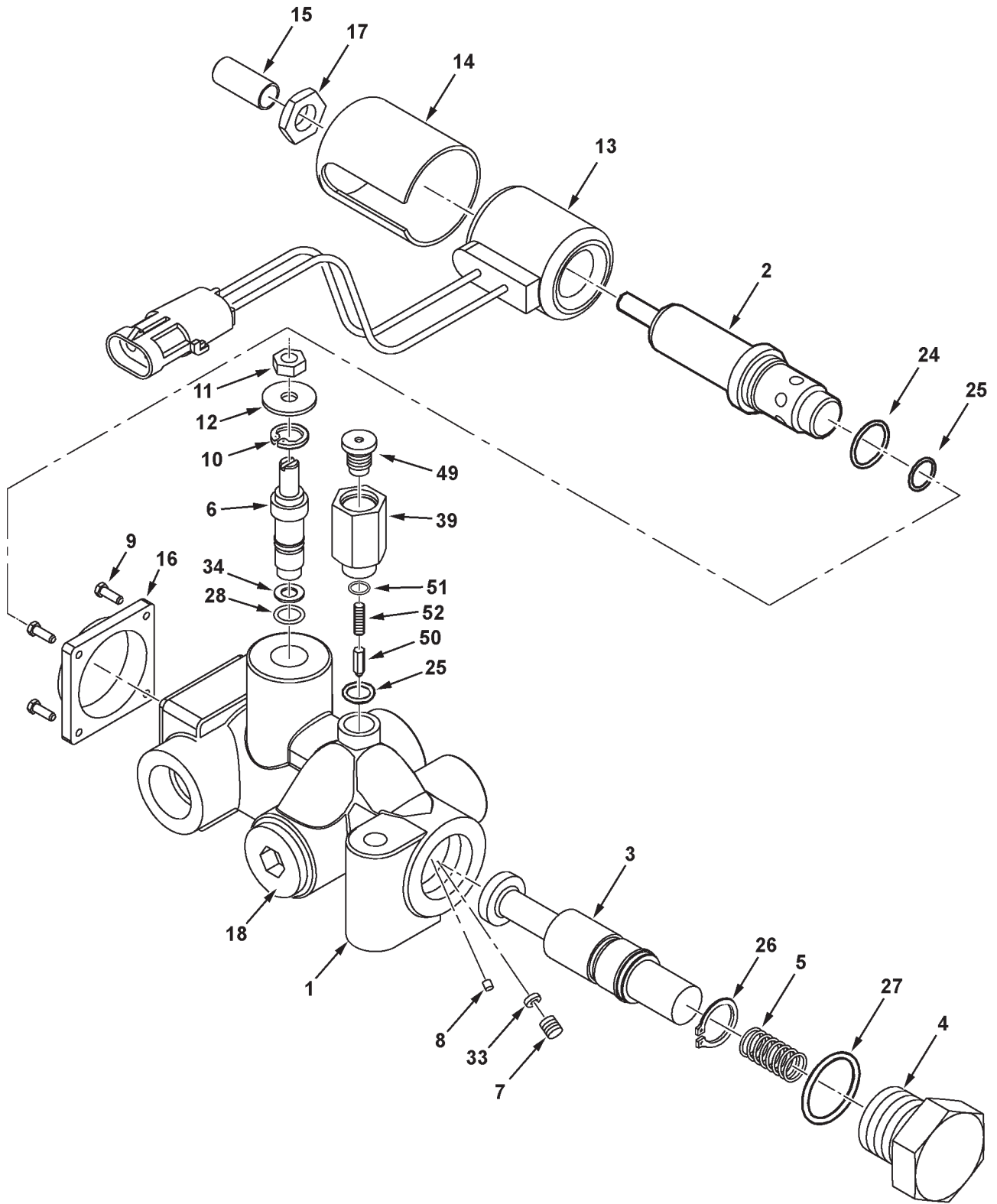
611

UNLOADER SWING VALVE

ITEM	NUMBER	QTY	DESCRIPTION
-	116465W91	1	VALVE, MODULE ASSEMBLY
2	-----	1	BODY, VALVE (ORDER VALVE, MODULE ASY.)
3	105068W1	2	PLUG, VALVE CAP
4	70921205	2	O-RING, .097 X .755 ID
5	71300327	2	RETAINER, SPRING
6	71374794	2	SPRING, SPOOL
7	105076W1	1	SPOOL, VALVE
10	71374790	2	SPRING
11	105085W1	2	POPPET
12	105084W1	2	END CAP, RETAINER
13	70927974	2	O-RING, .103 X .612 ID
14	1055944M1	2	SEAT
15	70923841	2	O-RING, .070 X .489 ID
16	71374793	1	SPOOL, SHUTTLE
21	105077W1	2	SLEEVE ASSEMBLY
22	70935902	2	O-RING, .070 X .801 ID, VITON
24	1052358M1	2	SPRING, POPPET
25	1052393M1	2	POPPET
26	105078W1	2	ARMATURE
27	71176964	2	POLE PIECE
28	71184418	2	ORIFICE, .040
29	70926356	2	O-RING, .070 X .239 ID
33	70924048	6	O-RING, .070 X .364 ID
34	1052370M91	2	THRU-TUBE ASSEMBLY (INCL. 2 OF ITEM 33)
38	70930777	2	REDUCER, 3/4-16 ORB M X 9/16-18 ORB FEM
	70921349	2	O-RING, .087 X .644 ID
39	70925011	2	ELBOW, 90 DEG, 9/16-18 ORB X 7/16-20 JIC
	70921885	2	O-RING, .078 X .468 ID
42	1052408M1	2	WASHER, BRASS
47	71188503	2	COVER, COIL
48	70915314	2	PALNUT, 1/2-20
49	71188504	2	COIL, W/DIODE
50	364076X1	1	BOLT, HEX, 1/4-20 UNC X 3-1/2 (NOT ILLUSTRATED)

MC00114
PR: 356

REEL DRIVE VALVE
(PRIOR S/N HS36101)



**9790 COMBINE
HYDRAULICS**

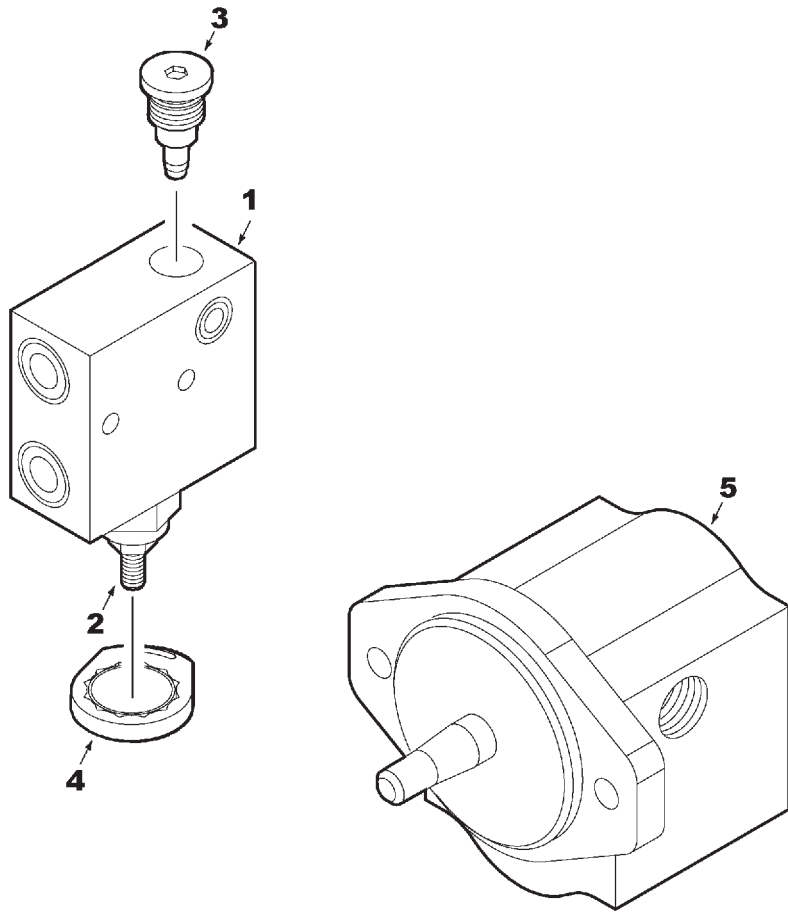
613

**REEL DRIVE VALVE
(PRIOR S/N HS36101)**

ITEM	NUMBER	QTY	DESCRIPTION
-	104135W91	1	VALVE ASSEMBLY, REEL DRIVE
1	-----	1	BODY (ORDER VALVE ASY, REEL DRIVE)
2	71361368	1	BODY/BUSHING ASSEMBLY
3	104502W1	1	SPOOL
4	104503W1	1	CAP, SPRING
5	71361357	1	SPRING
6	104505W1	1	PINTEL, MANUAL OVERRIDE
7	71361361	1	ORIFICE ASSEMBLY.025
8	71302422	1	ORIFICE .031
9	71361355	4	BOLT, HEX SOCKET #10-32 UNF X 1/2
10	104512W1	1	RING, RETAINING
11	353919X1	1	NUT, HEX JAM 1/4-28 UNF
12	70917377	1	WASHER, WIDE FLAT 1/4
13	71361358	1	COIL, CONNECTOR ASSEMBLY
14	71188503	1	COVER
15	71362539	1	CAP, PROTECTOR
16	71361359	1	PLATE, MOUNTING
17	353438X1	1	PALNUT
18	70924622	1	PLUG, HEX SOCKET HD, 7/8-14 ORB
	70921205	1	O-RING, .097 X .755 ID
24	70921205	1	O-RING, .097 X .755 ID
25	70921885	2	O-RING, .078 X .468 ID
26	71361367	1	RING, RETAINING
27	70921206	1	O-RING, .116 X .924 ID
28	70923558	1	O-RING, .070 X .239, 75 DURO
33	104510W1	1	SCREEN
34	71361364	1	RING, BACK-UP
39	104508W1	1	CAP, LOAD SENSE END
49	104509W1	1	CAP, END
50	104128W1	1	POPPET
51	70921881	1	O-RING, .064 X .239 ID
52	103789W1	1	SPRING

MCO0111A
PR: 358

ROTARY SCREEN VALVE & MOTOR



9790 COMBINE
HYDRAULICS

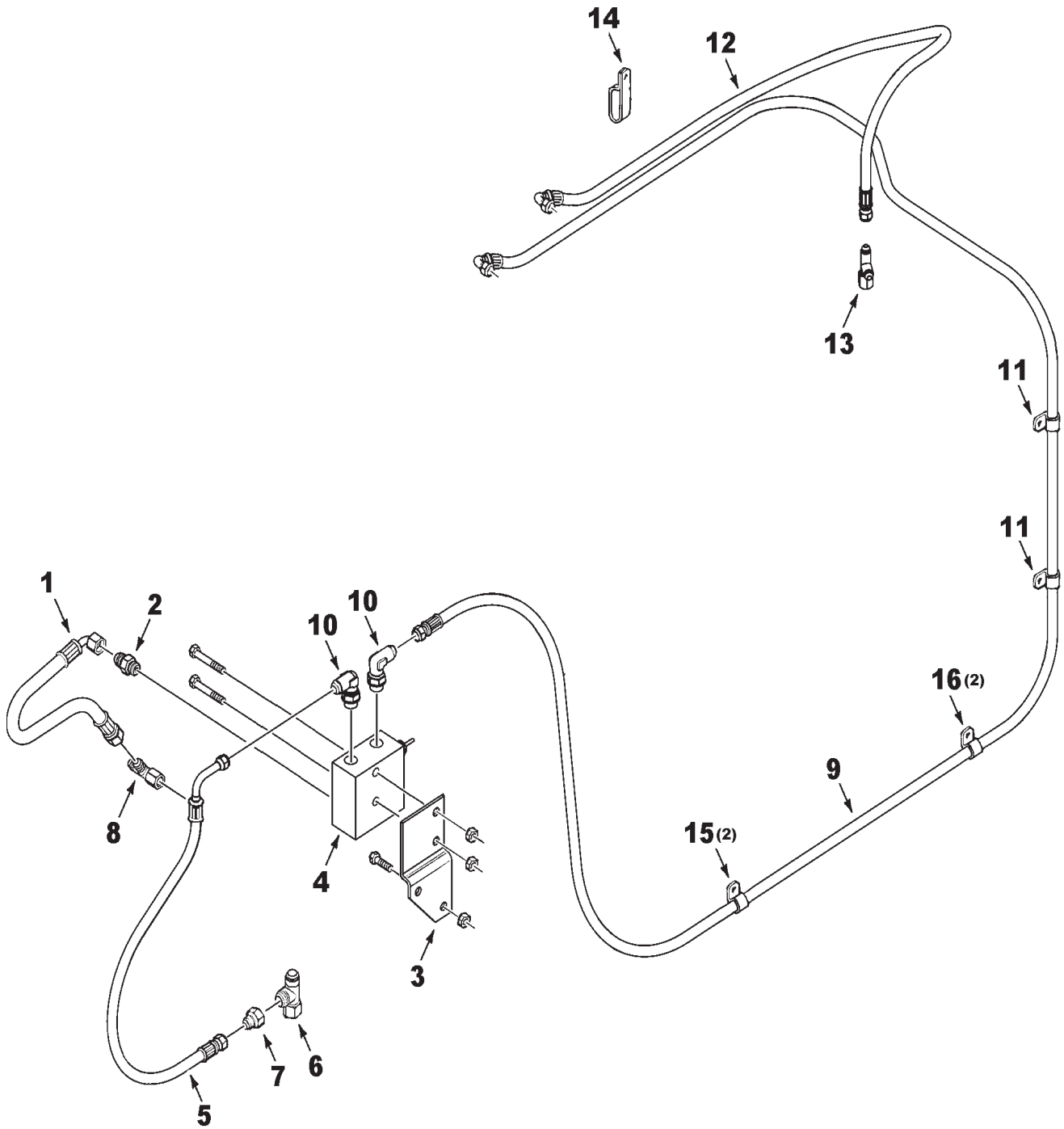
615

ROTARY SCREEN VALVE & MOTOR

ITEM	NUMBER	QTY	DESCRIPTION
1	71396267	1	VALVE, ROTARY SCREEN (INCL ITEMS 2,3,4)
2	71397492	1	CARTRIDGE ASY., FLOW REGULATOR
-	700724693	AR	SEAL KIT, FOR ITEM 2
3	71389743	1	CARTRIDGE ASY., CHECK VALVE
-	700726979	AR	SEAL KIT, FOR ITEM 3
4	71397493	1	LOCK KIT, VALVE, W/ SCREW
5	71396755	1	HYDRAULIC MOTOR(INCL. KEY, NUT & LKWSHR) (NOTE: INDIVIDUAL COMPONENTS ARE NOT SERVICED EXCEPT FOR SEAL KIT.)
-	71396758	1	SEAL KIT, HYDRAULIC MOTOR

MC00337
PR: 360

ROTARY SCREEN MOTOR LINES
(PRIOR S/N HS36101)



9790 COMBINE
HYDRAULICS

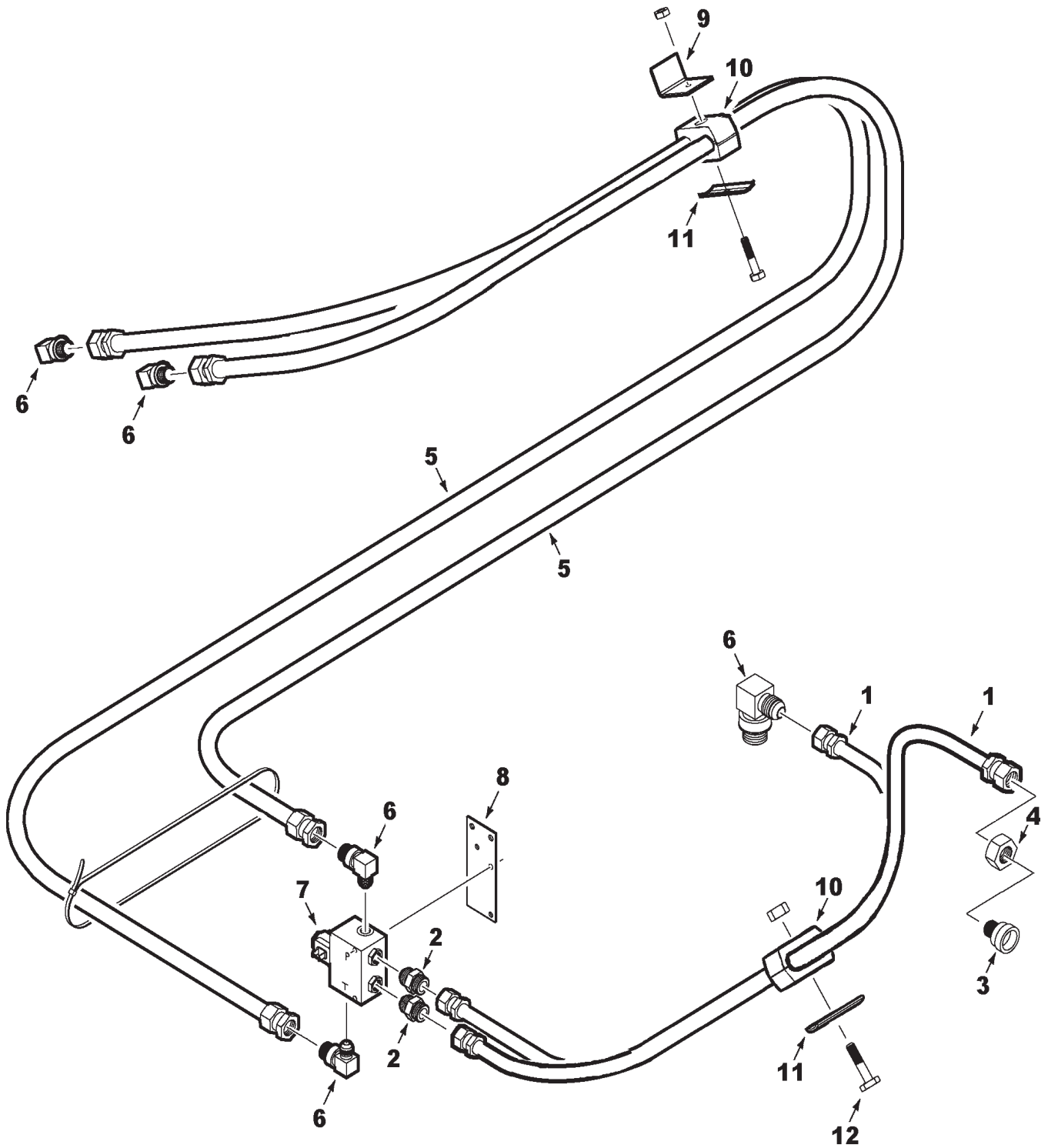
617

ROTARY SCREEN MOTOR LINES
(PRIOR S/N HS36101)

ITEM	NUMBER	QTY	DESCRIPTION
1	71373538	1	HOSE ASY., LOAD SENSE
2	700701356	1	STR CONNECTOR, 7/16-20, JIC X ORB
	70921883	1	O-RING, .072 X .351 ID
3	71396264	1	BRACKET, ROTARY SCREEN VALVE
	70921333	2	CAPSCREW, 5/16-18 X 1
	70917356	2	LOCKWASHER, 5/16
	70917372	2	NUT, HEX 5/16-18
4	71396267	1	VALVE, ROTARY SCREEN
	70921978	2	CAPSCREW, 5/16-18 X 2 GR5
	70917356	2	LOCKWASHER, 5/16
	70917372	2	NUT, HEX 5/16-18
5	700719105	1	HOSE ASY., ROTARY SCREEN SUPPLY
6	70925468	1	TEE, SWIVEL RUN, 7/8-14 JIC
7	70930224	1	REDUCER FTG., 7/8-14 JIC X 9/16-18 JIC
8	700701355	1	TEE, SWIVEL RUN, 7/16-20 JIC
9	71396265	1	HOSE ASY., PRESS. TO ROTARY SCR BLKHD
10	70922523	2	ELBOW, 90 DEG 9/16-18, JIC X ORB
	70921884	2	O-RING, .078 X .468 ID
11	70925619	2	CLAMP, .69 DIA X .406 HOLE
	Y702951	2	CAPSCREW, 3/8-16 X 3/4 LG
	705038	2	LOCKWASHER, 3/8
	70916950	2	NUT, HEX 3/8-16
12	71396266	1	HOSE ASY., BLKHD TO ROTARY SCR. TANK
	70937133	2	TIE, SELF LOCKING, .300 X 14.5
13	70921298	1	TEE, SWIVEL RUN, 3/4-16 JIC
14	70928148	1	CLAMP, DOUBLE, 3/4 TUBE X .406 HOLE
	Y702951	1	CAPSCREW, 3/8-16 X 3/4 LG
15	70927134	2	J-CLIP, .62 X .406 HOLE
16	70937682	2	J-CLIP, .75 X .656 HOLE

MC00335
PR: 362

UNLOADER ENGAGE LINES
(PRIOR S/N HP36101)



**9790 COMBINE
HYDRAULICS**

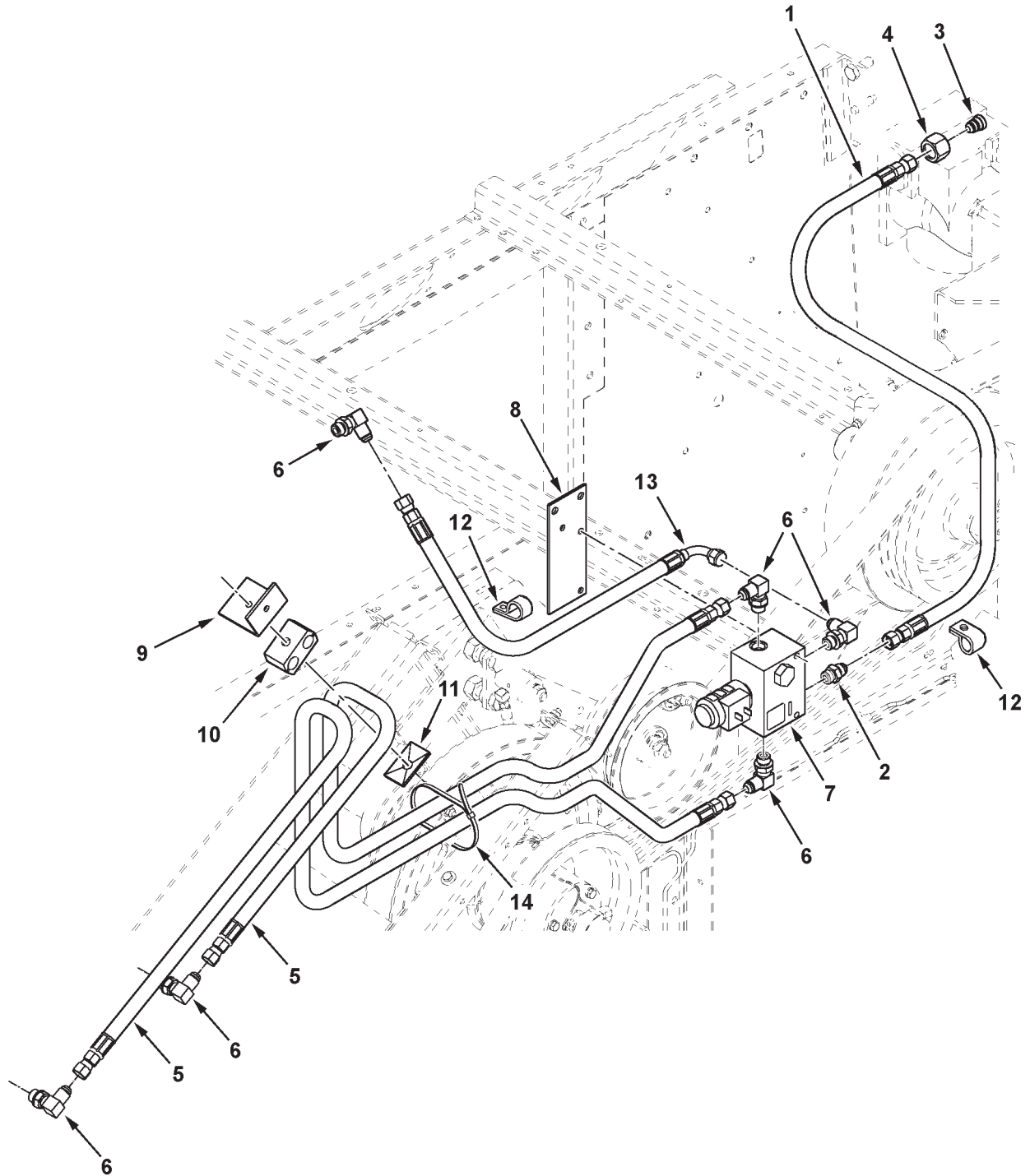
619

**UNLOADER ENGAGE LINES
(PRIOR S/N HP36101)**

ITEM	NUMBER	QTY	DESCRIPTION
1	112027W1	2	HOSE ASY., 3/8 X 45"
2	846634	2	CONNECTOR, STRAIGHT, 9/16-18, JIC X ORB
	70921885	AR	O-RING, .078 X .468 ID
3	70925852	1	REDUCER FTG., 1-1/16-12 X 9/16-18 JIC
4	70919197	1	TUBE NUT, 1-1/16-12
5	71373403	2	HOSE ASY., 3/8 X 90"
	70937133	1	TIE STRAP, NYLON
6	70922523	5	ELBOW, 90 DEG, 9/16-18, JIC X ORB
	70921885	AR	O-RING, .078 X .468 ID
7	108531W91	1	VALVE ASY. (SERVICE WITH 71407956)
	71407956	1	VALVE ASY.
	7701964	2	CAPSCREW, 1/4-20 X 2-1/2
	705012	2	LOCKWASHER, 1/4
	70916622	2	NUT, 1/4, REG
8	108925W1	1	PLATE, VALVE MOUNT
	70921332	2	CAPSCREW, 5/16-18 X 3/4
	Y704726	2	NUT, HEX FLANGE TOP LOCK, 5/16-18
9	101832M1	1	ANGLE BRACKET
	70921965	1	CAPSCREW, 3/8-16 X 3/4 GR5
	70916965	1	LOCKWASHER, 3/8
	70916950	1	NUT, 3/8-16, REG
10	148203M1	2	CLAMP PAIR, DOUBLE, 5/8 X 5/8 DIA
11	101646M1	2	COVER PLATE
	70921963	1	CAPSCREW, 1/4-20 X 2 GR5
	705012	1	LOCKWASHER, 1/4
	70916622	1	NUT, 1/4, REG
12	7703507	1	CAPSCREW, 5/16-18 X 2 GR5
	Y705020	1	LOCKWASHER, 5/16
	70917372	1	NUT, HEX, 5/16

MC00342
PR: 372

UNLOADER ENGAGE LINES
(EFF. S/N HP36101)



**9790 COMBINE
HYDRAULICS**

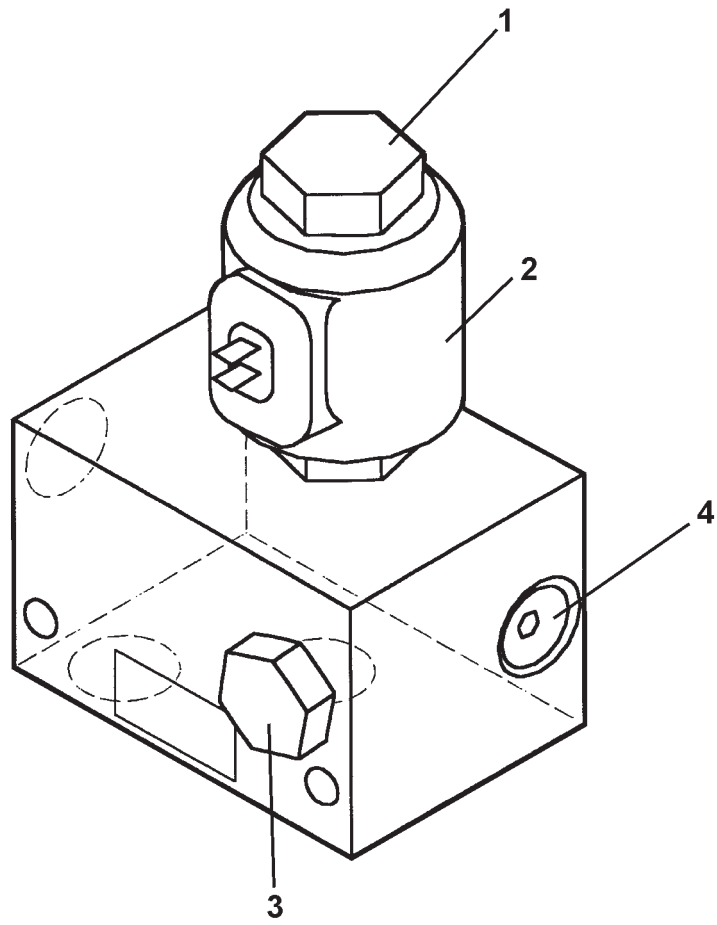
621

**UNLOADER ENGAGE LINES
(EFF. S/N HP36101)**

ITEM	NUMBER	QTY	DESCRIPTION
1	112027W1	1	HOSE ASY., 3/8 X 45"
2	846634	1	CONNECTOR, STRAIGHT, 9/16-18, JIC X ORB
	70921885	1	O-RING, .078 X .468 ID
3	70925852	1	REDUCER FTG., 1-1/16-12 X 9/16-18 JIC
4	70919197	1	TUBE NUT, 1-1/16-12
5	71373403	2	HOSE ASY., 3/8 X 90"
6	70922523	6	ELBOW, 90 DEG, 9/16-18, JIC X ORB
	70921885	6	O-RING, .078 X .468 ID
7	108531W91	1	VALVE ASY. (SERVICE WITH 71407956)
	71407956	1	VALVE ASY.
	7701964	2	CAPSCREW, 1/4-20 X 2-1/2
	705012	2	LOCKWASHER, 1/4
	70916622	2	NUT, 1/4, REG
8	108925W1	1	PLATE, VALVE MOUNT
	70921332	2	CAPSCREW, 5/16-18 X 3/4
	Y704726	2	NUT, HEX FLANGE TOP LOCK, 5/16-18
9	101832M1	1	ANGLE BRACKET
	70921965	1	CAPSCREW, 3/8-16 X 3/4 GR5
	70916965	1	LOCKWASHER, 3/8
	70916950	1	NUT, 3/8-16, REG
10	148203M1	1	CLAMP PAIR, DOUBLE, 5/8 X 5/8 DIA
11	101646M1	1	COVER PLATE
	70921963	1	CAPSCREW, 1/4-20 X 2 GR5
	705012	1	LOCKWASHER, 1/4
	70916622	1	NUT, 1/4, REG
12	70925097	2	CLAMP, LINE, 9/16 X .406 HOLE
	70921210	2	CAPSCREW, 3/8-16 X 1 GR5
	70916965	2	LOCKWASHER, 3/8
	70916950	2	NUT, 3/8-16, REG
13	700707391	1	HOSE ASY., 3/8 ID X 32.3"
14	70937133	2	TIE STRAP, NYLON, .30 X 14.5 LG

MC00387
PR: t05b08m42d0022

UNLOADER ENGAGE VALVE



9790 COMBINE
HYDRAULICS

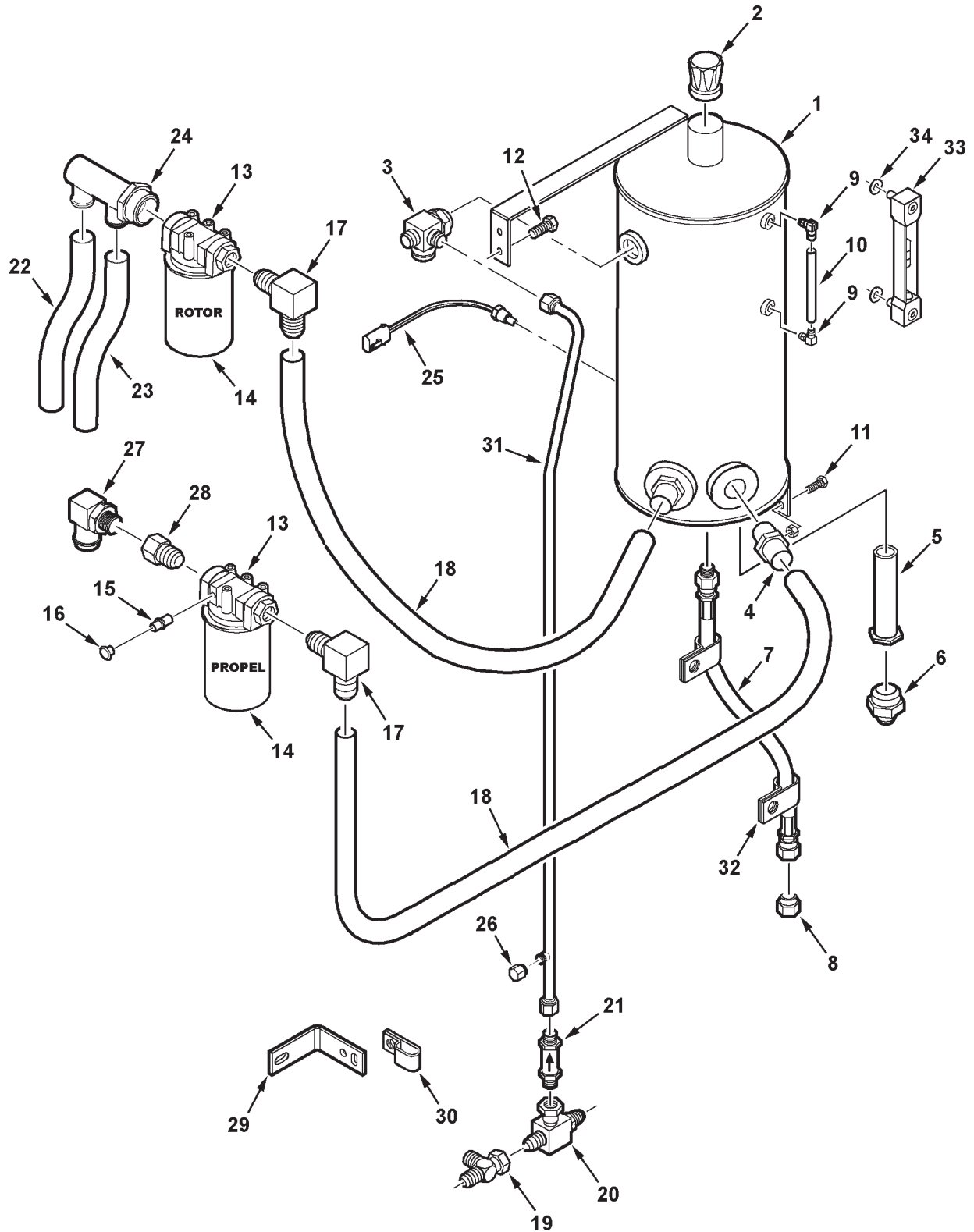
623

UNLOADER ENGAGE VALVE

ITEM	NUMBER	QTY	DESCRIPTION
-	108531W91	1	VALVE ASSEMBLY
1	71389729	1	CARTRIDGE, SOLENOID
2	853288	1	COIL, 12V DC
3	71389731	1	VALVE, CHECK
4	71389732	1	PLUG, ORIFICE, .052
-	71389733	1	KIT, SEAL REPAIR
-	71407956	1	VALVE ASSEMBLY
1	700720621	1	CARTRIDGE, VALVE
2	71407957	1	COIL, 12V DC
3	700720917	1	VALVE, CHECK
4	71407958	1	PLUG, ORIFICE, .052

MC00061
PR: 374

RESERVOIR & FILTER



**9790 COMBINE
HYDRAULICS**

625

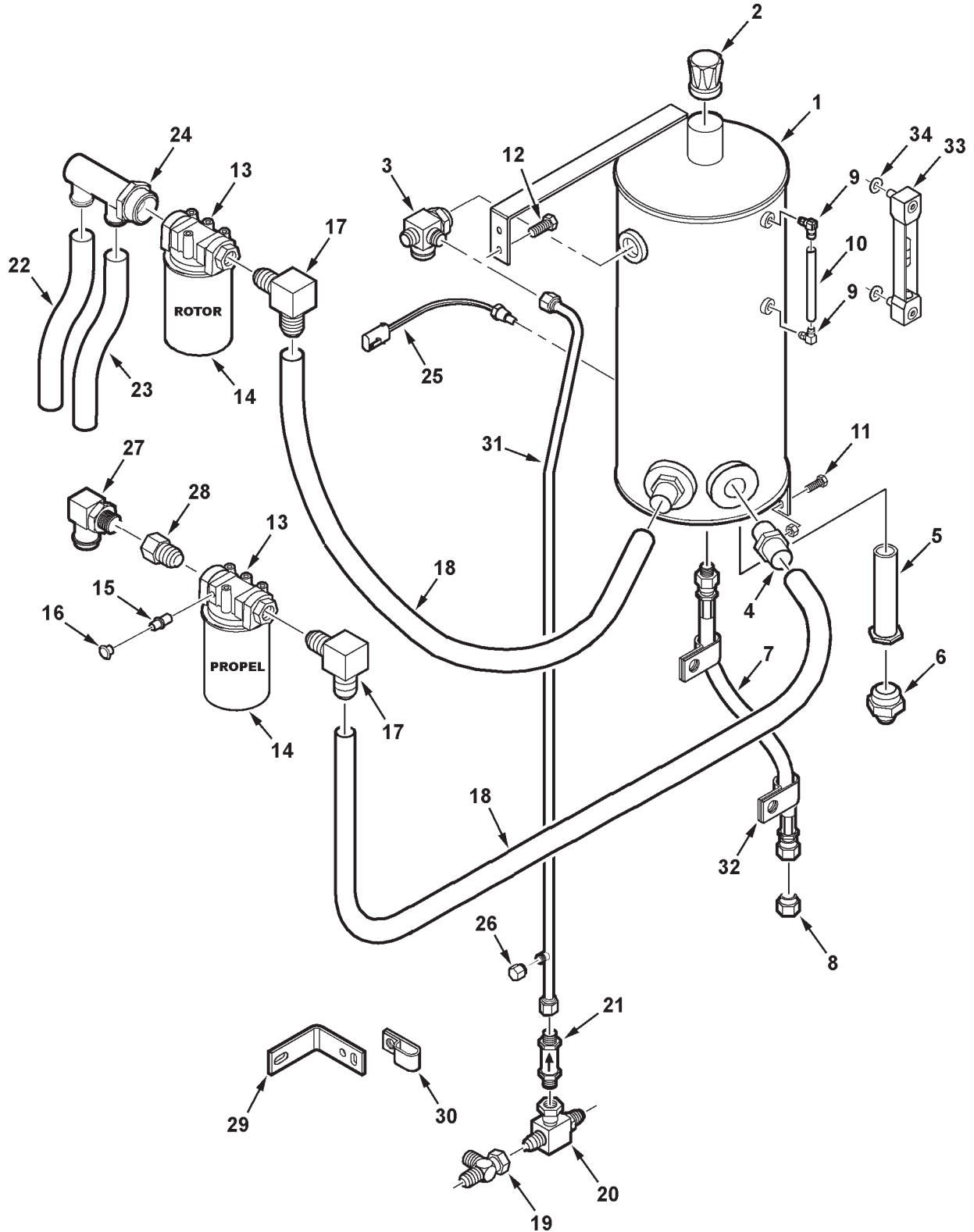
RESERVOIR & FILTER

ITEM	NUMBER	QTY	DESCRIPTION
1	71391230	1	RESERVOIR WLMT, HYD (PRIOR S/N HP36101)
	71404409	1	RESERVOIR WLMT, HYD (EFF. S/N HP36101 THRU HR36999)
	71411311	1	RESERVOIR WLMT, HYD (EFF. S/N HS36101)
2	112887W1	1	CAP, BREATHER
3	2629073W91	1	FITTING, MANIFOLD RETURN
	70921235	1	O-RING, .118 X 1.475 ID
4	70929257	2	CONNECTOR, 1-7/8-12 ORB X 1-1/2 DIA STEM
	70921887	2	O-RING, .118 X 1.720 ID
5	112858W91	1	STRAINER ASY.
	70921888	1	O-RING, .118 X 2.337 ID
6	112890W91	1	STR CONN, 1-7/8-12 ORB X 1-5/8-12 JIC
	70921887	1	O-RING, .118 X 1.720 ID
7	108541W1	1	HOSE ASY., OIL DRAIN
8	700712973	1	PLUG, 1/2 JIC
9	133828M91	2	ELBOW, 90 DEG. 3/8 NPTF X 1/2 TUBE (PRIOR S/N HS36101)
	70920333	3	PLUG, HEX HD, 3/8 NPTF
10	133827M1	1	TUBE, NYLON 1/2" (PRIOR S/N HS36101)
11	703249	2	CAPSCREW, 3/8-16 X 1.0 GR5
	Y704734	2	NUT, HEX FLANGE TOP LOCK, 3/8-16
12	70921332	2	CPSCRW, 5/16-18 X 3/4(PRIOR S/N HP36101)
	70917356	2	LOCKWASHER, 5/16
	70917642	2	WASHER, 5/16, WIDE
13	104308W1	2	HEAD, FILTER
	70921332	3	CAPSCREW, 5/16-18 X 3/4
	70921333	1	CAPSCREW, 5/16-18 X 1
	70917642	1	WASHER, 5/16, WIDE
	70917356	4	LOCKWASHER, 5/16
14	104309W91	2	ELEMENT, FILTER
15	70919171	2	CONNECTOR, 1/8-27 NPTF X 7/16-20 JIC
16	700715848	2	CAP, 7/16-20 JIC
17	70930879	2	ELBOW,90 DEG, 1-7/8-12 ORB X 1-1/2 STEM
	70921887	2	O-RING, .118 X 1.720 ID
18	71392194	2	HOSE, SUCTION, 1.50 ID
	720656	4	CLAMP, HOSE 1.31-2.25
19	70921691	1	TEE, 1-1/16-12 SWIVEL RUN
20	2629080W1	1	FITTING, SPECIAL BYPASS
21	71391238	1	VALVE, CHECK
22	112016W1	1	HOSE, ROTOR SUCTION (41" LG.)
	70921912	2	CLAMP, HOSE, 1.06-2.0 RANGE
	3619622M1	1	TIE, SELF-LOCKING .184 X 14.19
23	71392195	1	HOSE, SUCTION, 1.25 ID (29" LG.)
	70921912	2	CLAMP, HOSE, 1.06-2.0 RANGE
24	104156W91	1	FITTING, MANIFOLD, 1-7/8-12 X 1-1/4 STEM
	70921887	1	O-RING, .118 X 1.720 ID
25	71391418	1	SENSOR, OIL LEVEL (PRIOR S/N HS36101)
26	70923737	1	CAP, 3/4-16 JIC
27	8046955	1	ELBOW,90 DEG, 1-5/8-12 ORB X 1-1/4 STEM
	70921235	1	O-RING, .118 X 1.475 ID
28	70930368	1	REDUCER, 1-7/8-12 ORB X 1-5/8-12 ORB FEM
	70921887	1	O-RING, .118 X 1.720 ID

CONTINUED

MC00331
PR: 376

RESERVOIR & FILTER



9790 COMBINE
HYDRAULICS

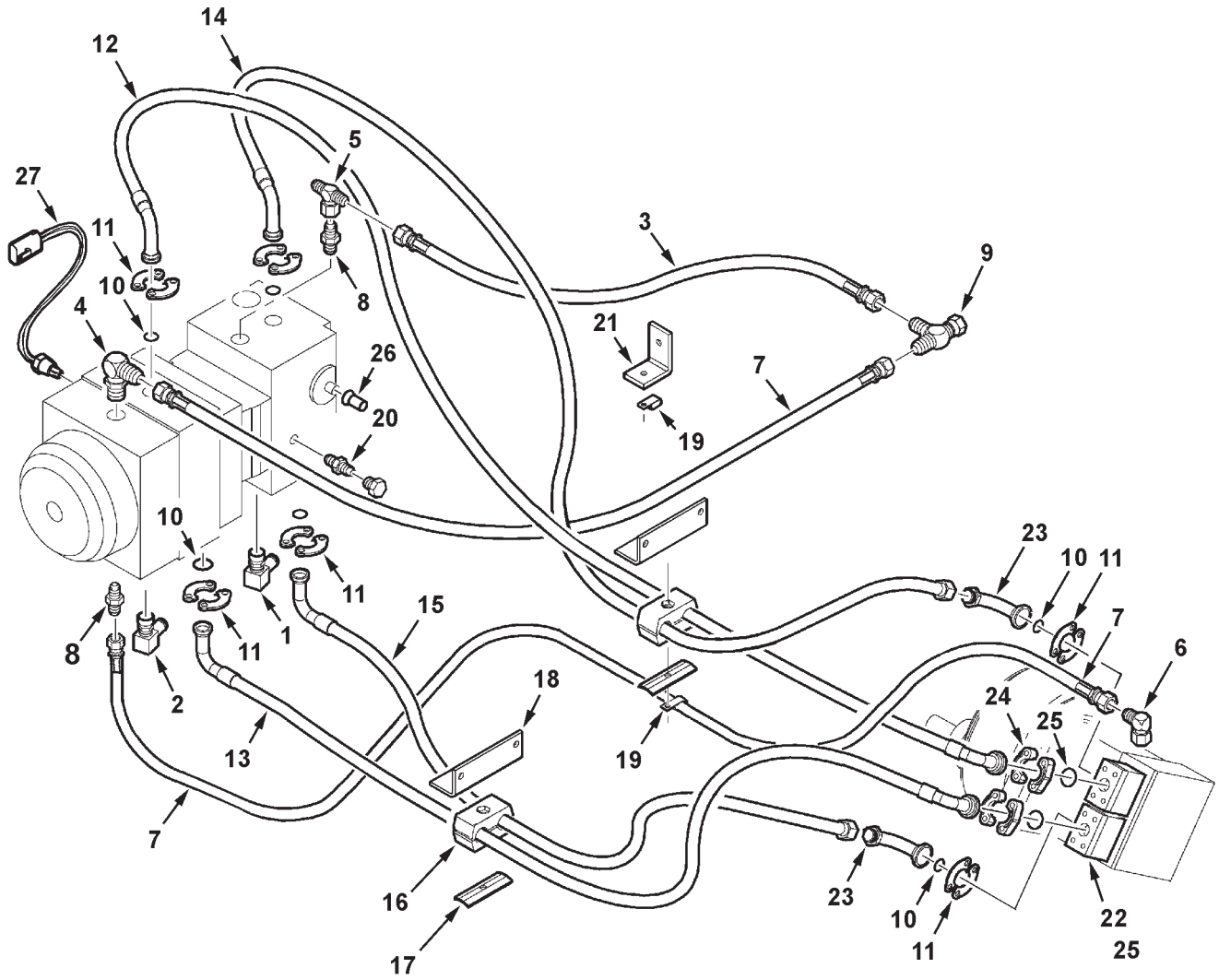
627

RESERVOIR & FILTER

ITEM	NUMBER	QTY	DESCRIPTION
29	71388093	1	STRAP, SUPPORT
	703249	1	CAPSCREW, 3/8-16 X 1
	705038	1	LOCKWASHER, 3/8
	70917378	2	WASHER, 3/8
	70916950	1	NUT, 3/8-16 REG
30	AG519751	1	CLAMP, 1.38 TUBE X .406 HOLE
	70921332	1	CAPSCREW, 5/16-18 X 3/4
	Y705020	1	LOCKWASHER, 5/16
	700709602	1	WASHER, FLAT 5/16
	70917372	1	NUT, 5/16-18 REG
31	71391656	1	TUBE ASY, RETURN
32	70926049	2	CLAMP, TUBE, 3/4 X .406 HOLE
	703249	2	CAPSCREW, 3/8-16 X 1
	705038	2	LOCKWASHER, 3/8 REG
	70917372	2	NUT, 5/16-18 REG
33	45080021	1	SIGHT GAUGE ASY (EFF. S/N HS36101) (INCL. FOLLOWING 2 SERVICE ITEMS)
	700929239	1	MOUNT KIT, SIGHT GAUGE (INCL. SCREWS NUTS, O-RINGS & SPACERS)
	700729240	1	TUBE, GLASS
34	700726076	2	WASHER, RUBBER

MC00331
PR: 376

ROTOR PUMP AND MOTOR LINES



9790 COMBINE
HYDRAULICS

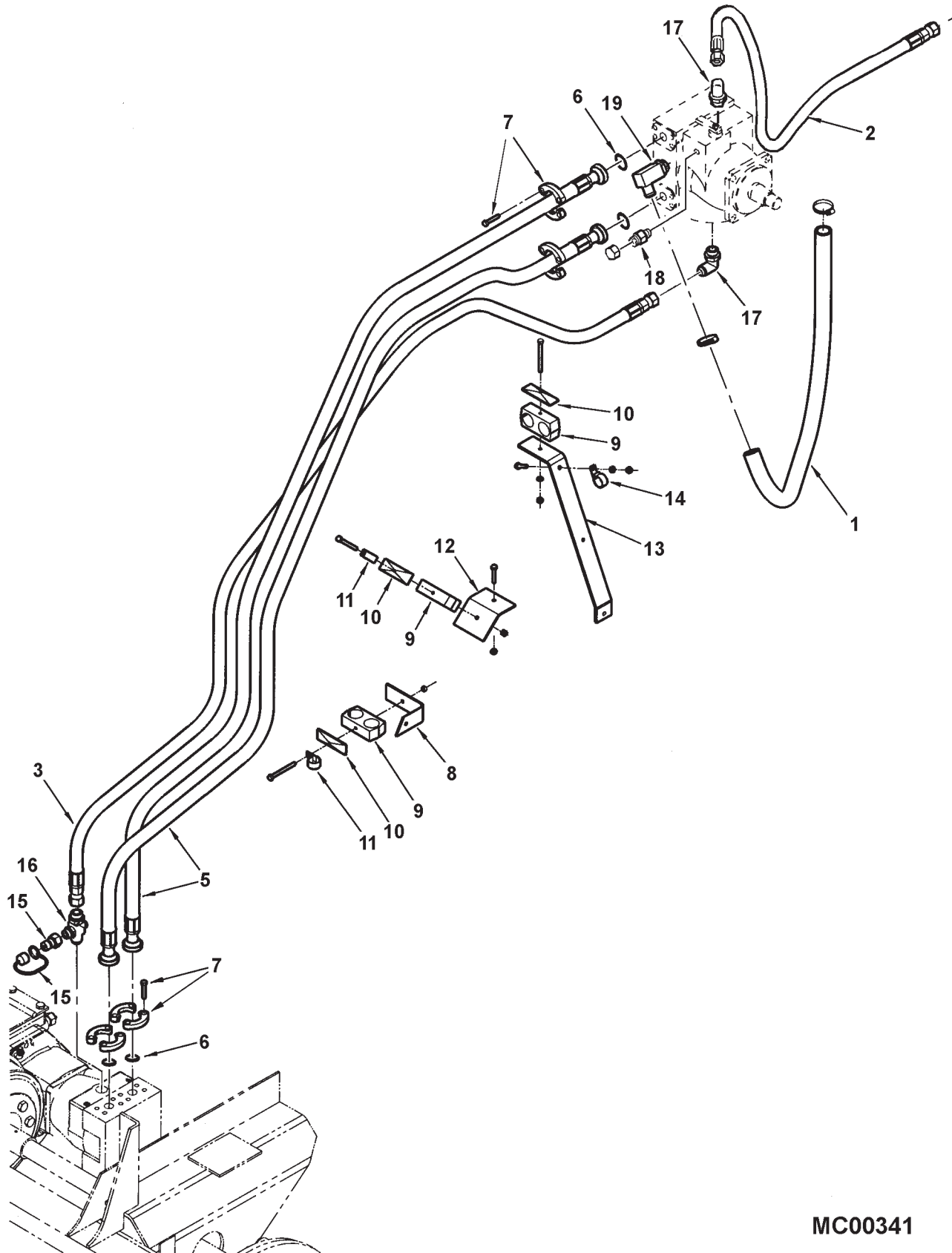
629

ROTOR PUMP AND MOTOR LINES

ITEM	NUMBER	QTY	DESCRIPTION
1	70931240	1	ELBOW, 1-1/4 HOSE STEM X 1-5/16-12 ORB
	70921214	1	O-RING, .116 X 1.171 ID
2	8046955	1	ELBOW, 1-1/4 HOSE STEM X 1-5/8-12 ORB
	70921235	1	O-RING, .118 X 1.475 ID
3	112020W1	1	HOSE ASY., ROTOR PUMP TO COOLER
4	70921203	1	ELBOW, 90 DEG, 1-1/16-12 ORB X JIC MALE
	70921206	1	O-RING, .116 X .924 ID
5	70925834	1	TEE, SWIVEL NUT BRANCH, 1-1/16-12 JIC
6	70922632	1	ELBOW,90D, 1-1/16-12 JIC X 1-5/16-12 ORB
	70921214	1	O-RING, .116 X 1.171 ID
7	71392198	2	HOSE ASY., ROTOR CASE DRAIN
8	70921217	2	CONNECTOR, STR, 1-1/16-12 JIC X ORB
	70921206	2	O-RING, .116 X .924 ID
9	70921691	1	TEE, SWIVEL NUT RUN, 1-1/16-12 JIC
10	70926533	6	O-RING, .139 X 1.296 ID, 90 DUR.
11	700701354	12	CLAMP HALF, SPLIT FLANGE, 1"
	70923027	24	CAPSCREW, 7/16-14 X 1-3/4
12	71391240	1	HOSE ASY., PUMP FRONT (TOP)
13	71391241	1	HOSE ASY., PUMP FRONT (BTM)
14	71391242	1	HOSE ASY., PUMP REAR (TOP)
15	71391243	1	HOSE ASY., PUMP REAR (BTM)
16	101841M1	2	CLAMP PAIR, DOUBLE, 1-1/2 DIA
17	101842M1	2	COVER PLATE
	772418	2	CAPSCREW, 5/16-18 X 3.50
	Y705020	2	LOCKWASHER, 5/16
	700709602	2	WASHER, 5/16 WIDE
	70917372	2	NUT, 5/16 REG
18	2630960W1	2	SUPPORT, ANGLE
	703249	4	CAPSCREW, 3/8-16 X 1.0
	705038	4	LOCKWASHER, 3/8
	70916950	4	NUT, 3/8-16 REG
19	293888M1	2	J-CLIP, 1.0 X .344 HOLE
20	70926292	2	CONNECTOR,STR, 7/16-20 JIC X 9/16-18 ORB
	70921885	2	O-RING, .078 X .468 ID
	700715848	2	CAP, 7/16-20 JIC
21	101618M1	1	BRACKET, ANGLE
	7703457	2	CAPSCREW, 1/4-20 X 3/4
	705012	2	LOCKWASHER, 1/4
	700709601	2	WASHER, 1/4 WIDE
	704007	2	NUT, 1/4-20 REG
22	71389769	2	BLOCK, TEE
23	112022W1	2	ELBOW, 90 DEG, 1" O-RING FLNG X ORFS
	70931640	2	O-RING, .070 X .926 ID
24	71391244	4	CLAMP HALF, SPLIT FLANGE, 1-1/4"
	702217	8	CAPSCREW, 1/2-13 X 4.0
25	70924192	4	O-RING, .139 X 1.484 ID
26	71398126	1	COVER, TAMPER PROOF
27	71389746	1	SWITCH, ROTOR PRESSURE
	70921885	1	O-RING, .078 X .468 ID

MC00338
PR: 380

PROPEL PUMP AND MOTOR LINES



9790 COMBINE
HYDRAULICS

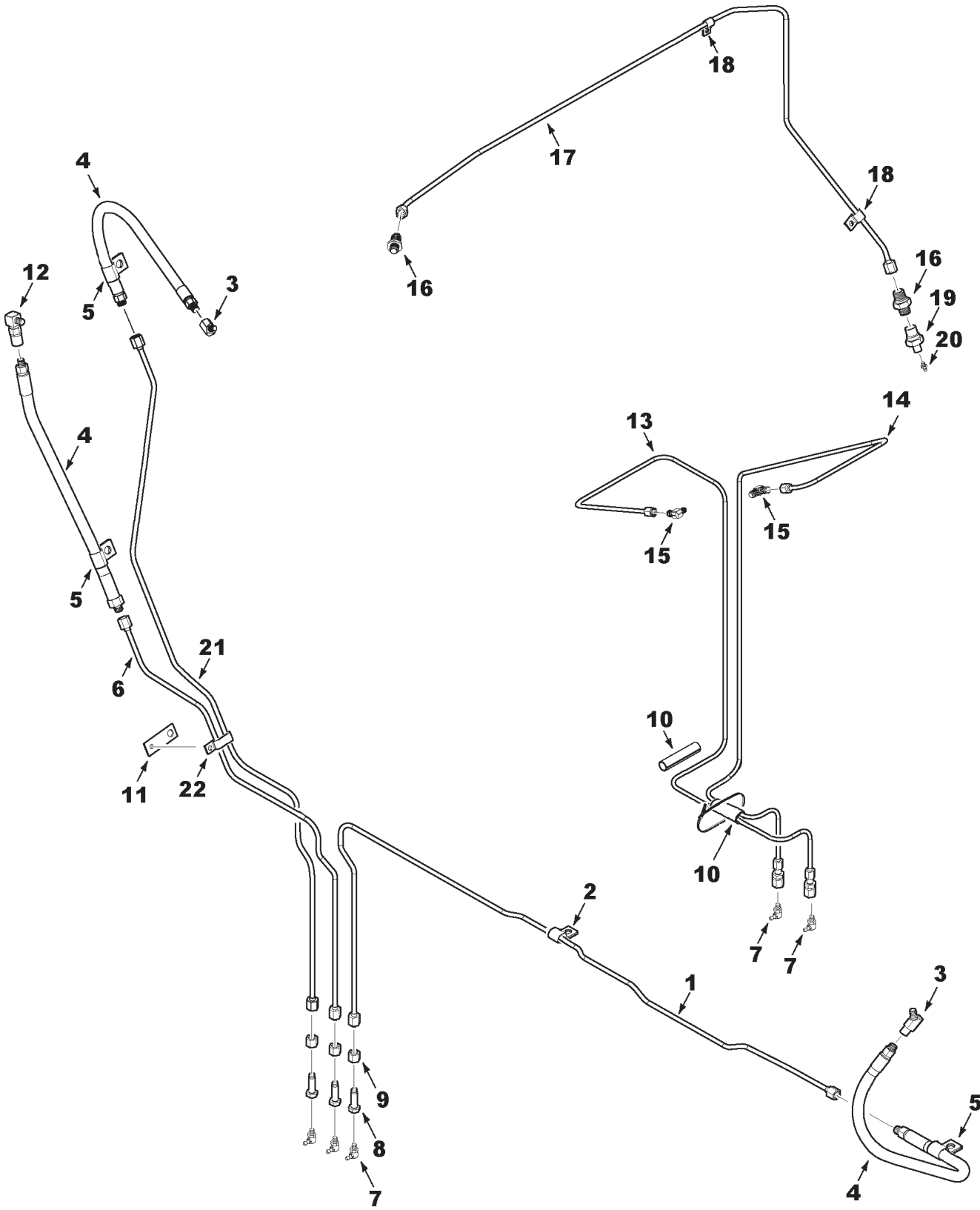
631

PROPEL PUMP AND MOTOR LINES

ITEM	NUMBER	QTY	DESCRIPTION
1	71392196	1	HOSE, SUCTION 1-1/4
	70921912	2	CLAMP, HOSE 1.06 - 2.0 RANGE
2	71392199	1	HOSE ASY., PUMP CASE
3	71392197	1	HOSE ASY., MOTOR CASE
5	71391239	2	HOSE ASY., PUMP
6	70926533	4	O-RING, .139 X 1.296 ID, 90 DUR.
7	700701354	8	CLAMP HALF, SPLIT FLANGE, 1"
	70923027	16	CAPSCREW, 7/16-14 X 1-3/4
8	101844M1	1	BRACKET
9	101841M1	3	CLAMP PAIR, DOUBLE, 1-1/2 DIA
10	101842M1	3	COVER PLATE
	70925690	3	CAPSCREW 5/16 X 3-1/2
	70917356	3	LOCKWASHER 5/16
	70917372	3	NUT, HEX 5/16-18
11	293888M1	2	J-CLIP
12	101843M1	1	BRACKET
	70921333	1	CAPSCREW, 5/16-18 X 1
	70917356	1	LOCKWASHER, 5/16
	70917372	1	HEXNUT, 5/16-18
13	71391260	1	STRAP, HOSE SUPPORT
14	70929748	1	CLAMP, 1.25 TUBE X .406 HOLE
	703249	1	CAPSCREW, 3/8-16 X 1.0
	705038	1	LOCKWASHER, 3/8
	70916950	1	HEXNUT, 3/8-16
15	71377941	1	COUPLER, MALE
	1905376M1	1	CAP, DUST
16	71391657	1	FITTING, CROSS, CASE DRAIN
	70921205	1	O-RING, .097 X .755 ID
	70921206	1	O-RING, .116 X .924 ID
17	70921203	2	ELBOW, 90DEG, 1-1/16 JIC X 1-1/16-12 ORB
	70921206	2	O-RING, .116 X .924 ID
18	70926292	1	CONNECTOR,STR, 7/16-20 JIC X 9/16-18 ORB
	70921885	1	O-RING, .078 X .468 ID
	700715848	1	CAP, 7/16-20 JIC
19	71391653	1	ELB,90 DEG,SPL. 1-5/8-12 ORB X 1-1/4 STM
	70921235	1	O-RING, .118 X 1.475 ID

MCO0341
PR: 382

GREASE LINES



**9790 COMBINE
HYDRAULICS**

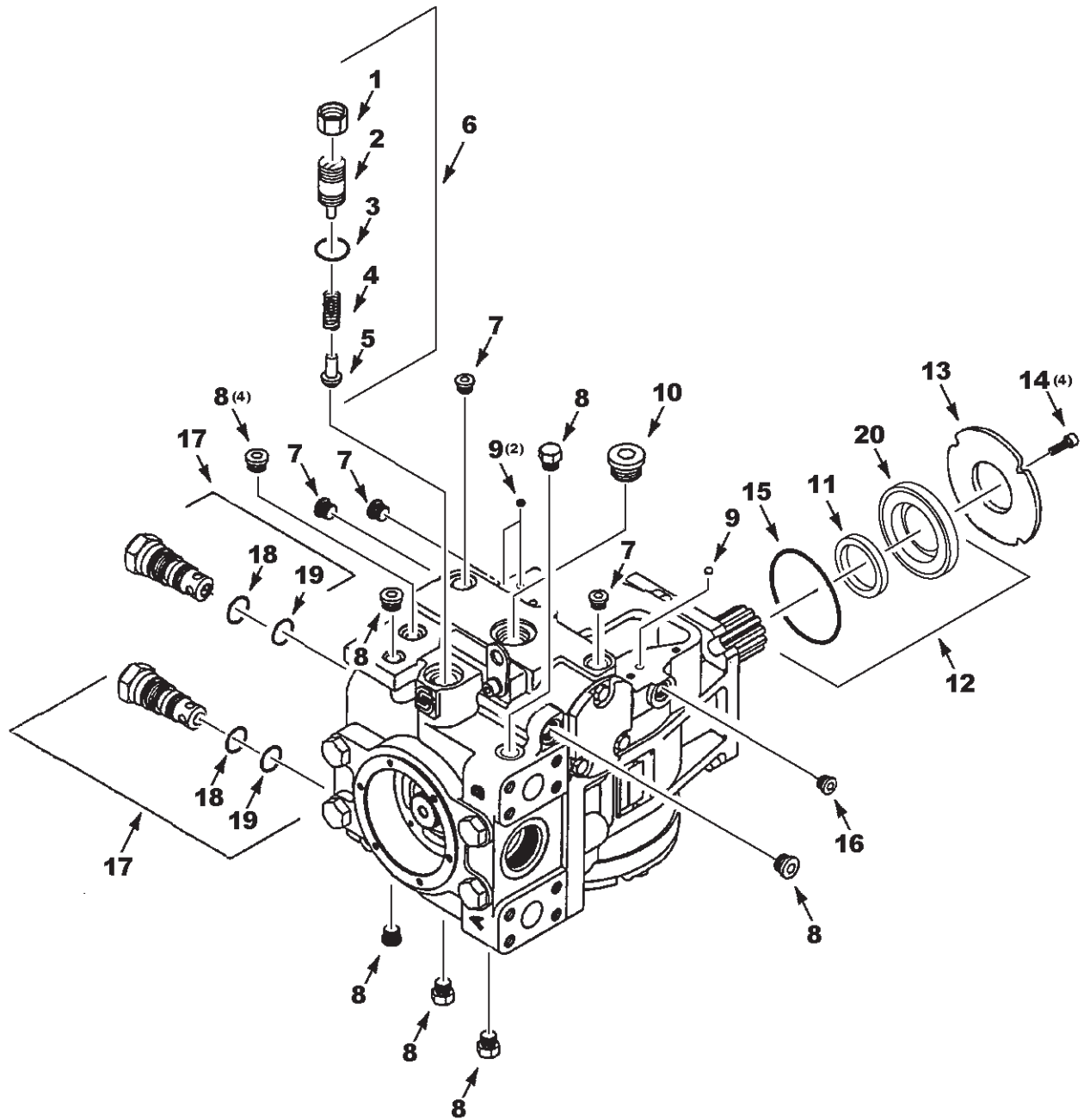
633

GREASE LINES

ITEM	NUMBER	QTY	DESCRIPTION
1	71390866	1	TUBE ASY, ROTOR DRIVE IDLER
2	70928654	1	CLAMP, 1/4 TUBE X .406 HOLE
3	70920655	2	ELBOW, 45 DEG, 1/8 NPTF M X 1/8 NPTF FEM
4	71390863	3	HOSE ASY, LUBE
5	70928656	3	CLAMP, 5/8 TUBE X .406 HOLE
	70921965	2	CAPSCREW, 3/8-16 X 3/4
	Y704734	2	NUT, HEX FLNG TOP LOCK, 3/8-16
6	71392766	1	TUBE ASY, C'SHAFT DRIVE IDLER
7	70915276	5	LUBE FITTING, 90 DEG, 1/8 NPTF
8	940134W1	5	BLKHD CONN, 7/16-20 JIC M X 1/8 NPT FEM
9	356612X1	5	NUT, LARGE HEX, 7/16-20
10	2556880W1	2	BOOT, TUBE PROTECTOR
	3619622M1	2	TIE, SELF LOCKING .184 X 14.19
11	71390867	1	SUPPORT, TUBE CLAMP
12	70923690	1	ELBOW, 90 DEG. 1/8-27 NPTF MALE X FEM.
13	71386353	1	TUBE ASY, BEATER IDLER
14	71398337	1	TUBE ASY, UNLOADER IDLER
15	70919173	2	ELBOW, 90 DEG, 1/8-27 NPTF X 7/16-20 JIC
16	70919171	2	STR CONN, 1/8-27 NPTF X 7/16-20 JIC
17	71389766	1	TUBE ASY, FRONT ROTOR(PRIOR S/N HP36101)
	71400653	1	TUBE ASY, FRONT ROTOR (EFF. S/N HP36101)
18	70926919	3	CLAMP, 1/4 TUBE X .281 HOLE (PRIOR S/N HP36101)
	7703457	3	CAPSCREW, 1/4-20 X 3/4
	704007	3	NUT, 1/4-20
	705012	3	LOCKWASHER, 1/4
	70928654	1	CLAMP, 1/4 TUBE X .406 HOLE (EFF. S/N HP36101)
	70921210	1	CAPSCREW, 3/8-16 X 1 GR5
	70917378	2	WASHER, 3/8 WIDE
	705038	1	LOCKWASHER, 3/8
	70916950	1	NUT, 3/8-16 REG
19	70922862	1	COUPLING, FEM, 1/8-27 NPTF
20	70914465	1	LUBE FITTING, 1/8-27 NPT, SPL XTRA SHORT
21	71392767	1	TUBE ASY, GROUND DRIVE IDLER
22	70930999	1	CLAMP, DOUBLE, 1/4 TUBE X .281 HOLE
	7703457	1	CAPSCREW, 1/4-20 X 3/4
	704007	1	NUT, 1/4-20 REG
	705012	1	LOCKWASHER, 1/4

MC00340
PR: 384

PROPEL PUMP
COMPONENTS, 1 OF 4



**9790 COMBINE
TRANSMISSION & AXLES**

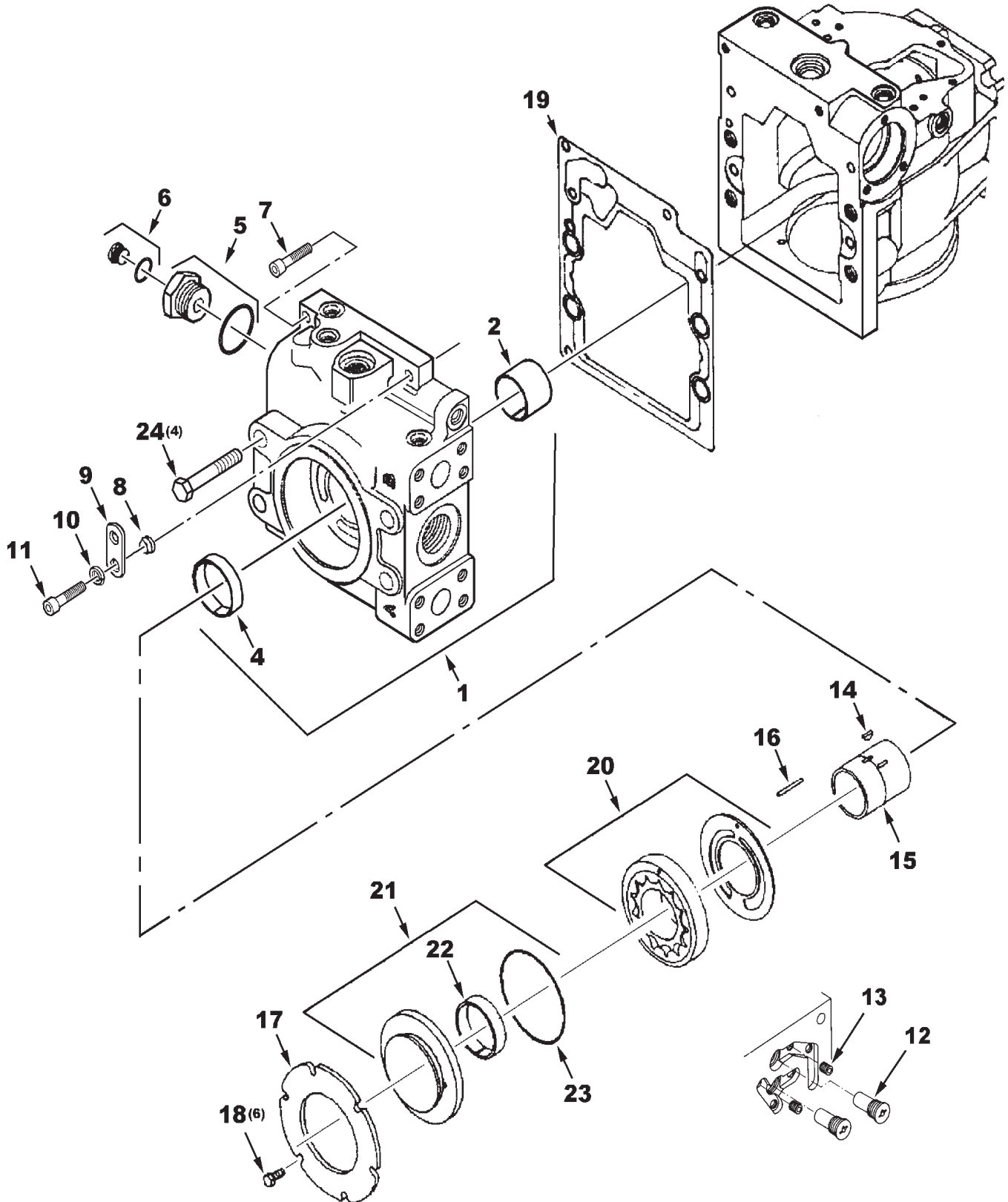
635

**PROPEL PUMP
COMPONENTS, 1 OF 4**

ITEM	NUMBER	QTY	DESCRIPTION
-	71388873	1	PROPEL PUMP (100CC DISPL.)
1	1077651M1	1	NUT
2	1077631M91	1	PLUG, CHARGE RELIEF VALVE
3	70928486	1	*O-RING
4	71374859	1	SPRING
5	71374836	1	POPPET, CHARGE RELIEF
6	71374918	1	KIT, CHARGE RELIEF VALVE
7	700725864	4	PLUG
8	71374831	7	PLUG
9	71355339	3	SCREEN, CONTROL FILTER
10	1077605M1	1	PLUG
11	1077666M1	1	*LIP SEAL
12	71374967	1	SHAFT SEAL ASY
13	1081733M1	1	PLATE, RETAINING
14	71374840	4	SCREW, SOCKET HD, M6
15	942253	1	*O-RING
16	700702119	1	PLUG
17	71374868	2	KIT, MULTI-FUNCTION VALVE
18	70923808	2	*O-RING, .070 X .864 ID
19	70930897	2	*O-RING, .070 X .801 ID
20	----	1	CARRIER, SEAL (ORDER SEAL ASY. ITEM 12)
-	71374915	AR	PACKAGE, OVERHAUL SEAL (INCL. * ITEMS)

MCO0311
PR: 386

PROPEL PUMP
COMPONENTS, 2 OF 4



9790 COMBINE
TRANSMISSION & AXLES

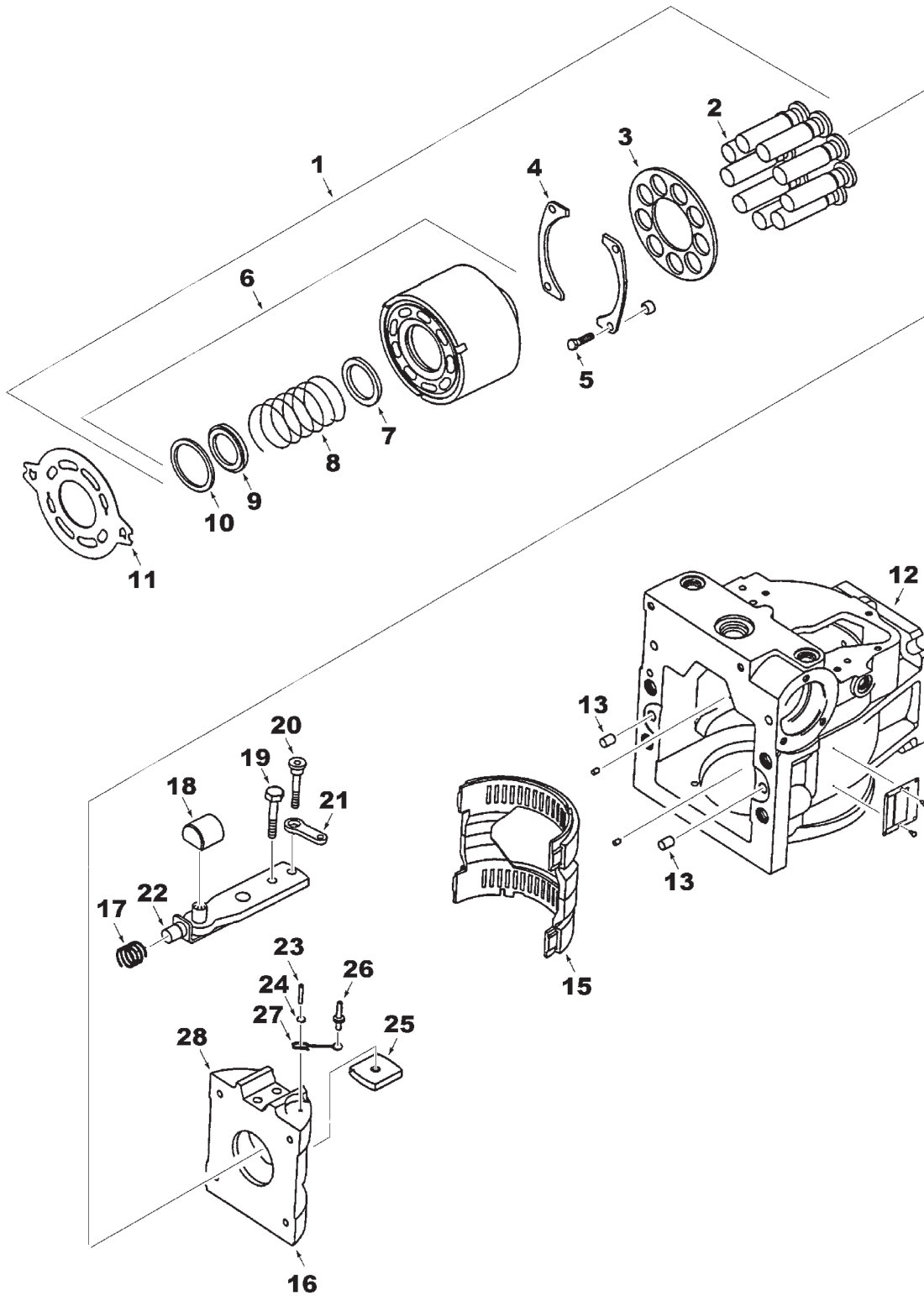
637

PROPEL PUMP
COMPONENTS, 2 OF 4

ITEM	NUMBER	QTY	DESCRIPTION
1	71374963	1	END CAP ASSEMBLY, TWIN PORTS
2	71374834	1	JOURNAL BEARING
4	71374894	1	BUSHING
5	1081706M1	1	REDUCER
	70921214	1	O-RING
6	71374831	1	PLUG
	70921885	1	O-RING
7	71374900	1	SCREW
8	71374895	1	LIFTING BRACKET SPACER
9	71374896	1	LIFTING BRACKET
10	71374897	1	WASHER
11	71374900	1	SCREW
12	71374870	2	CHECK VALVE
13	1077684M1	2	PLUG
14	1077656M1	1	KEY
15	71396136	1	CHARGE PUMP SHAFT
16	1077654M1	1	PIN
17	71374853	1	RETAINING PLATE
18	1077658M1	6	SCREW
19	71374898	1	END CAP GASKET
20	71396134	1	CHARGE PUMP SET
21	71374855	1	CHARGE PUMP COVER ASSEMBLY
22	71374894	1	BUSHING
23	1077661M1	1	O-RING
24	71374857	4	SCREW

MC00313
PR: 388

PROPEL PUMP
COMPONENTS, 3 OF 4



**9790 COMBINE
TRANSMISSION & AXLES**

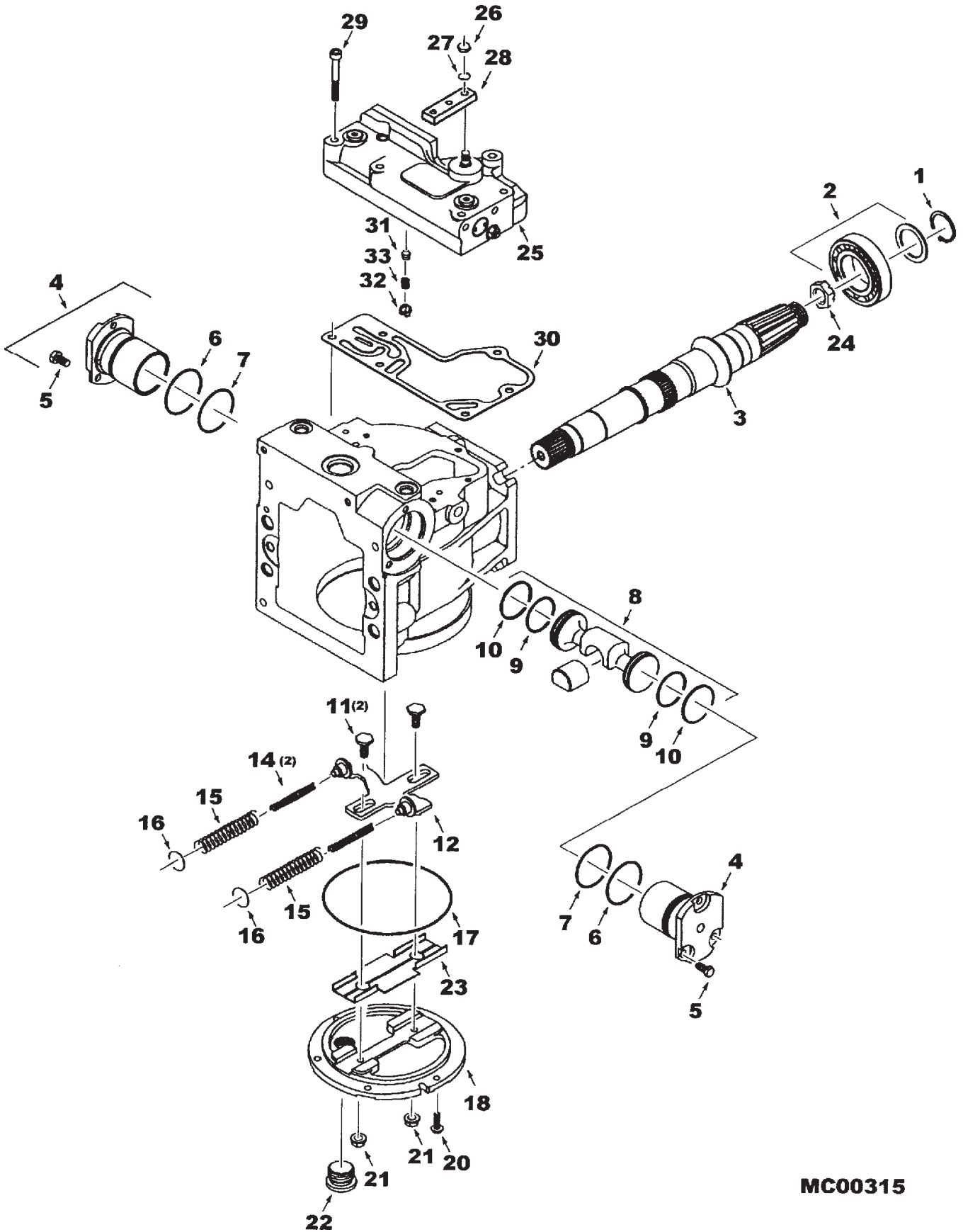
639

**PROPEL PUMP
COMPONENTS, 3 OF 4**

ITEM	NUMBER	QTY	DESCRIPTION
1	71396140	1	KIT, CYLINDER BLOCK
2	71374846	9	PISTON ASY., WELDED
3	71374847	1	GUIDE, SLIPPER
4	71374904	2	BEARING, SLIPPER GUIDE
5	71396142	4	*SCREW
	71396141	4	SPACER
6	71374842	1	CYLINDER BLOCK ASY.
7	71374843	1	SEAT, SPRING
8	71374844	1	SPRING
9	71374845	1	RETAINER, SPRING
10	1077611M1	1	RING, RETAINING
11	71396126	1	PLATE, VALVE
12	71374958	1	HOUSING, VARIABLE
13	700702137	2	PIN
15	71374872	1	BEARING
16	71374876	1	VARIABLE, SWASHPLATE ASY. (INCL. ITEMS 19-25)
17	71374886	1	SPRING
18	1077635M2	1	BLOCK, SLIDER
19	71374880	1	SCREW
20	71374882	1	SCREW
21	71396127	1	LINK, FEEDBACK
22	71374877	1	SERVO ARM ASY.
23	71374884	1	PIN, SPIRAL
24	71374883	1	WASHER
25	71374881	1	GUIDE, SWASHPLATE
26	71396128	1	PIN
27	71374875	1	LINK, CAGE LOCATOR
28	71374879	1	SWASHPLATE, VARIABLE
--	71374915	AR	PACKAGE, OVERHAUL SEAL (INCL. * ITEMS)

MCO0314
PR: 390

PROPEL PUMP
COMPONENTS, 4 OF 4



**9790 COMBINE
TRANSMISSION & AXLES**

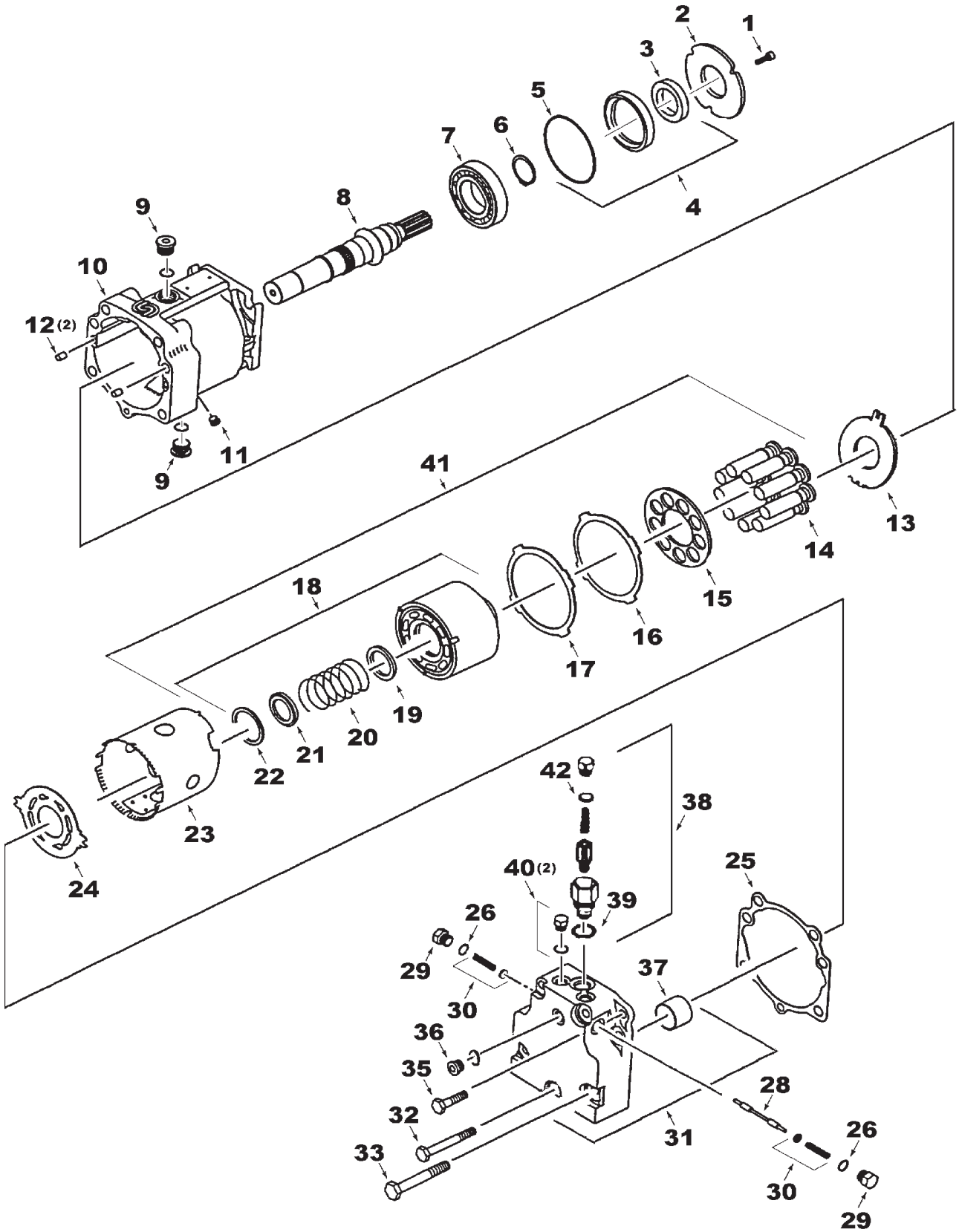
641

**PROPEL PUMP
COMPONENTS, 4 OF 4**

ITEM	NUMBER	QTY	DESCRIPTION
1	1077664M1	1	RING, RETAINING
2	71396137	1	BEARING, ROLLER
3	71374860	1	SHAFT, TAPERED SPLINE
4	71374901	2	SERVO CYLINDER KIT (INCL. ITEMS 5-7)
5	1077638M1	6	SCREW
6	70931589	2	*O-RING
7	1077637M1	2	*O-RING
8	71396133	1	SERVO PISTON KIT
9	70923865	2	*O-RING
10	71358545	2	*RING, PISTON
11	71396131	2	POST, GUIDE
12	71396129	1	LEVELER ASY.
14	71374892	2	SPRING
15	71374891	2	SPRING, COMPRESSION, HELICAL
16	71396130	2	SHIM
17	1077628M1	1	O-RING
18	71374960	1	COVER, SIDE (ALSO NEED TO ORDER 1 EA ITEM 23, 2 EA ITEM 11)
20	71374890	6	SCREW
21	1077627M1	2	*NUT
22	1077605M1	1	PLUG
23	71396132	1	SIDECOVER INSERT ASY
24	71356529	1	NUT, SLOTTED
	1081731M1	1	PIN, COTTER
25	71396138	1	KIT, CONTROL VALVE (INCL. ITEMS 26-30)
26	71374867	1	NUT
27	71374866	1	WASHER, TOOTHLOCK
28	71374865	1	HANDLE, CONTROL
29	1077673M1	6	SCREW
30	1081699M1	1	*GASKET, CONTROL
31	71374907	1	KIT, ORIFICE, CONTROL (INCL ITEMS 32,33)
32	71374909	1	RETAINER, SPRING
33	71374908	1	SPRING
-	71374915	AR	PACKAGE, OVERHAUL SEAL (INCL. * ITEMS)

MC00315
PR: 392

MOTOR, HYDRO PROPEL
COMPONENTS



**9790 COMBINE
TRANSMISSION & AXLES**

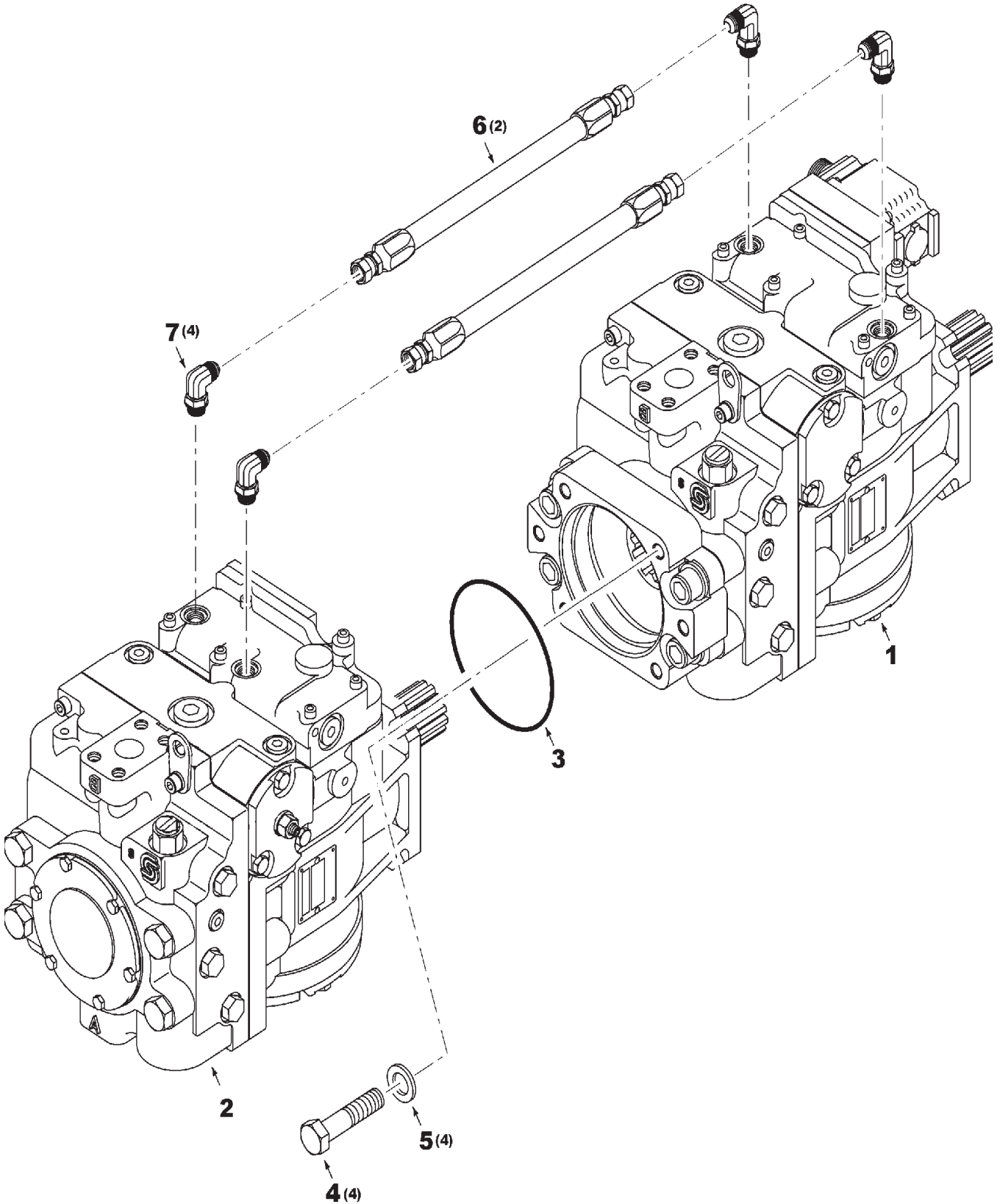
643

**MOTOR, HYDRO PROPEL
COMPONENTS**

ITEM	NUMBER	QTY	DESCRIPTION
-	71392870	1	MOTOR, FIXED DISPL, 100cc
-	71374968	AR	OVERHAUL SEAL KIT (INCL ITEMS 3,5,25,39)
1	71374840	4	SCREW, SOCKET HEAD, M6 X 20
2	71397487	1	PLATE, RETAINER
3	1077666M1	1	SEAL
4	71374967	1	CARRIER & SEAL ASY.(INCL. ITEMS 3 & 5)
5	942253	1	O-RING
6	1077664M1	1	RING
7	71396137	1	BEARING, ROLLER
8	71397486	1	SHAFT, 23T
9	1077605M1	2	PLUG
	71397479	2	O-RING
10	71397478	1	HOUSING, FIXED
11	700725864	1	PLUG
	70928488	1	O-RING, .078 X .468 ID, VITON
12	71355340	2	PIN
13	71374970	1	PLATE, THRUST
14	71374846	9	PISTON, WELDED
15	71374847	1	RETAINER, SLIPPER
16	71374848	1	RETAINER, SLIPPER GUIDE
17	71374849	1	RETAINER, SLIPPER GUIDE SHIM
18	71374842	1	CYLINDER BLOCK ASY. (INCL ITEMS 19-22)
19	71374843	1	SEAT, SPRING
20	71374844	1	SPRING
21	71374845	1	RETAINER, SPRING
22	1077611M1	1	RING, RETAINING
23	71374827	1	TUBE, HOLDDOWN
24	71374828	1	PLATE, VALVE
25	71397481	1	GASKET, END CAP
26	70928488	2	O-RING
28	1077960M1	1	SPOOL, SHUTTLE
29	71397485	2	PLUG, SPECIAL
30	71397484	2	SPRING GUIDE ASY
31	71397480	1	END CAP ASY., TWIN PORTS
32	71397483	1	SCREW
33	1077695M1	4	SCREW
35	1077696M1	2	SCREW
36	700725864	1	PLUG
	71397482	1	O-RING
37	71374834	1	BEARING, JOURNAL
38	71396169	1	CARTRIDGE ASY, CHARGE RELIEF
39	70928486	1	O-RING
40	71374831	2	PLUG
	71397482	1	O-RING
41	71374841	1	KIT, ROTATING GROUP W/WELDED PISTON (INCL. ITEMS 14-18)
42	70928488	1	O-RING, .078 X .468 ID, VITON

GC00377
PR: 394

ROTOR PUMPS
TANDEM PUMP



**9790 COMBINE
TRANSMISSION & AXLES**

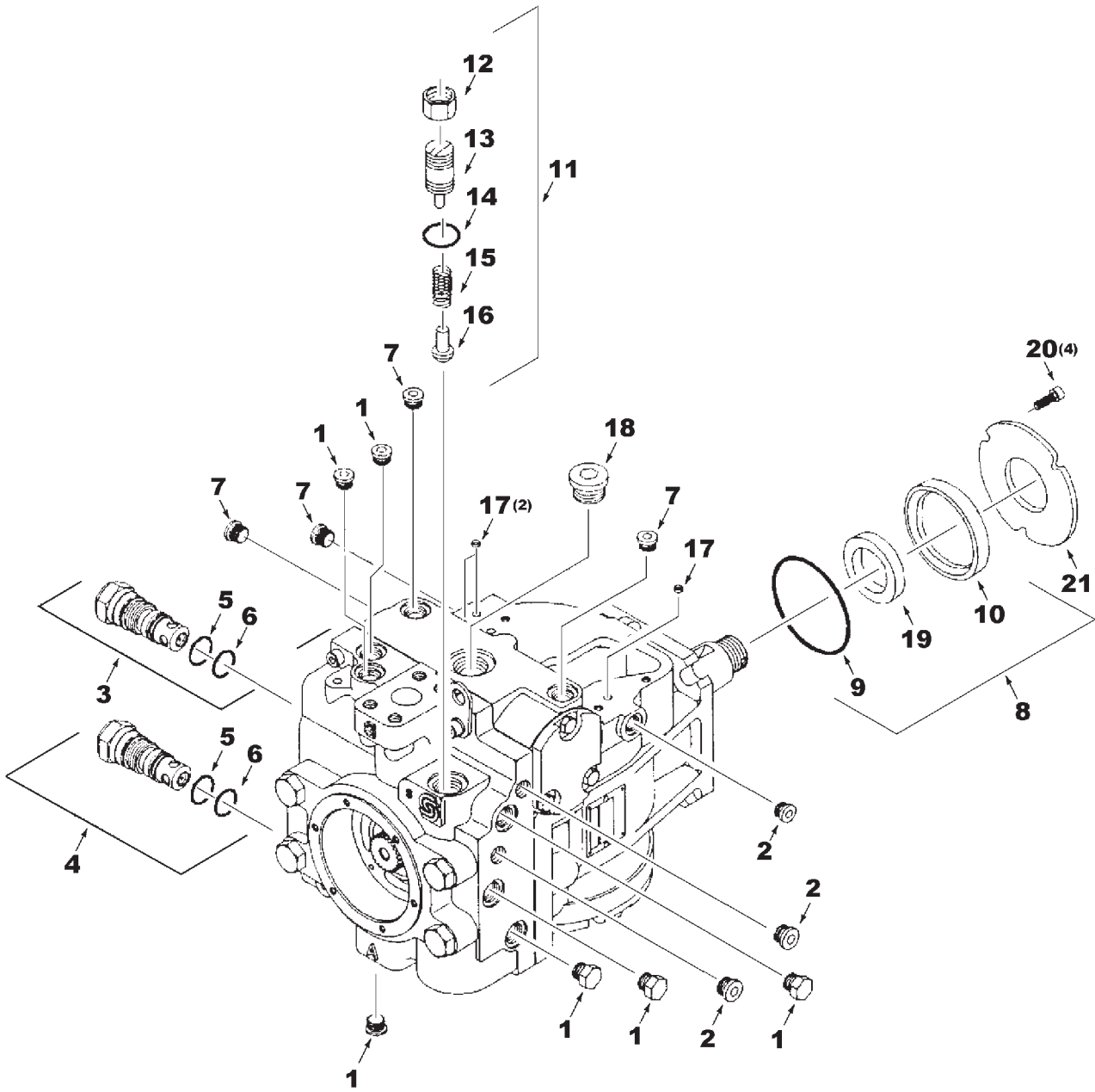
645

**ROTOR PUMPS
TANDEM PUMP**

ITEM	NUMBER	QTY	DESCRIPTION
-	71388852	1	PUMP ASY., TANDEM
1	71386574	1	PUMP, FRONT ROTOR (100cc DISPL.)
2	71397490	1	PUMP, REAR ROTOR (55cc DISPL.)
3	1081727M1	1	O-RING
4	116281W1	4	SCREW
5	116282W1	4	WASHER
6	71396251	2	HOSE, PUMP
7	71395325	4	ELBOW

MC00318
PR: 396

ROTOR PUMP
FRONT, 1 OF 4



9790 COMBINE
TRANSMISSION & AXLES

647

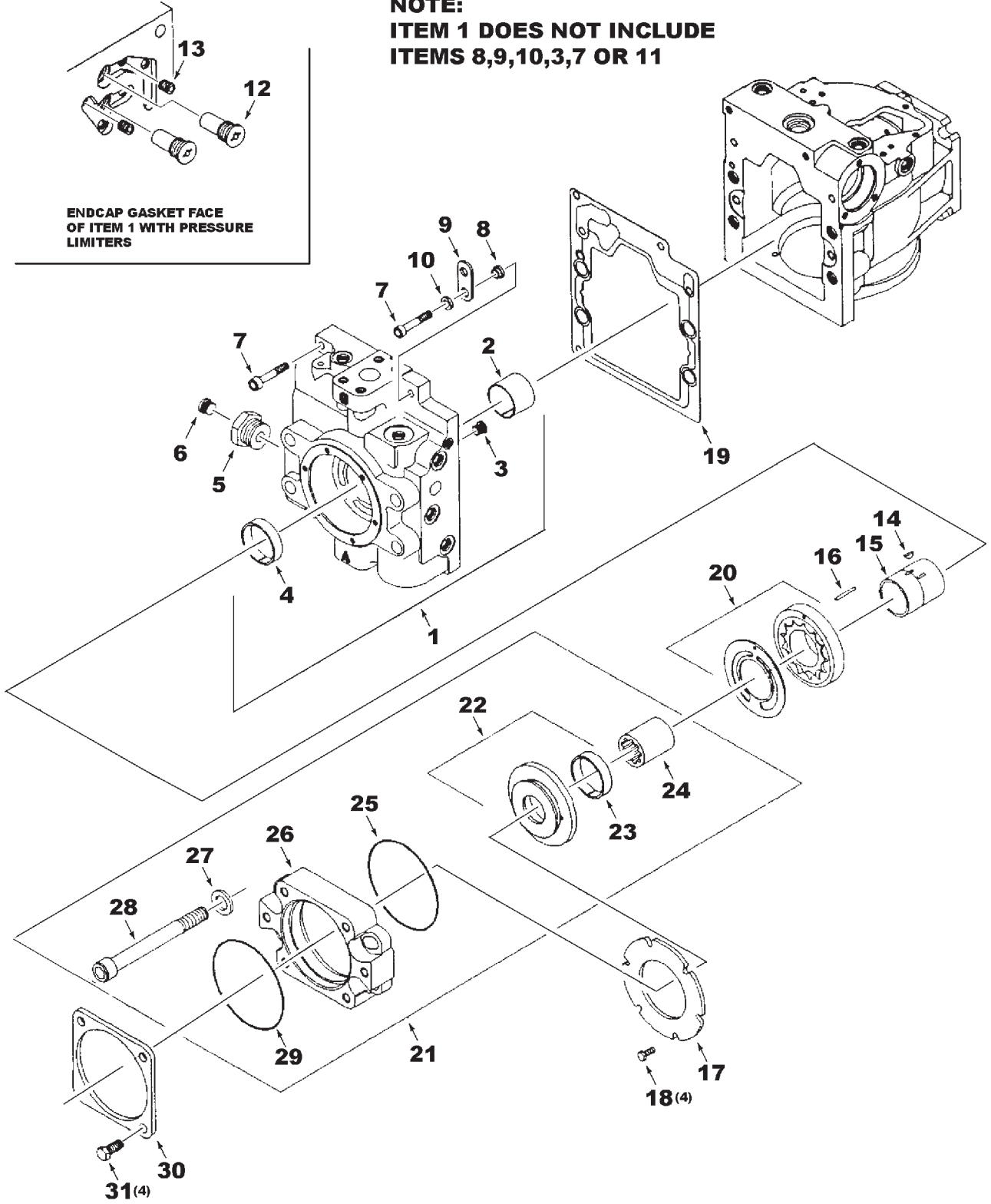
ROTOR PUMP
FRONT, 1 OF 4

ITEM	NUMBER	QTY	DESCRIPTION
-	71386574	-	PUMP, ROTOR (100CC DISPL.)
1	71374831	6	PLUG
2	70928605	3	PLUG
3	1081707M91	1	KIT, MULTI-FUNCTION VALVE
4	1081707M91	1	KIT, MULTI-FUNCTION VALVE
5	70923808	2	O-RING
6	70930897	2	O-RING
7	1077604M1	4	PLUG
8	71374967	1	SHAFT SEAL ASSEMBLY
9	942253	1	O-RING
10	-----	1	CARRIER, SEAL (ORDER SEAL ASY, IT.8)
11	71374918	1	KIT, CHARGE RELIEF VALVE (INCL IT.12-16)
12	1077651M1	1	NUT
13	1077631M91	1	CHARGE RELIEF VALVE PLUG
14	70928486	1	O-RING
15	71374859	1	SPRING
16	71374836	1	CHARGE RELIEF POPPET
17	71355339	3	CONTROL FILTER SCREEN
18	1077605M1	1	PLUG
19	1077666M1	1	LIP SEAL
20	71374840	4	SCREW, SOCKET HD, M6
21	1081733M1	1	PLATE, RETAINING
-	71374915	-	KIT, OVERHAUL, GASKET & SEAL

MC00057
PR: 398

ROTOR PUMP
FRONT, 2 OF 4

**NOTE:
ITEM 1 DOES NOT INCLUDE
ITEMS 8,9,10,3,7 OR 11**



9790 COMBINE
TRANSMISSION & AXLES

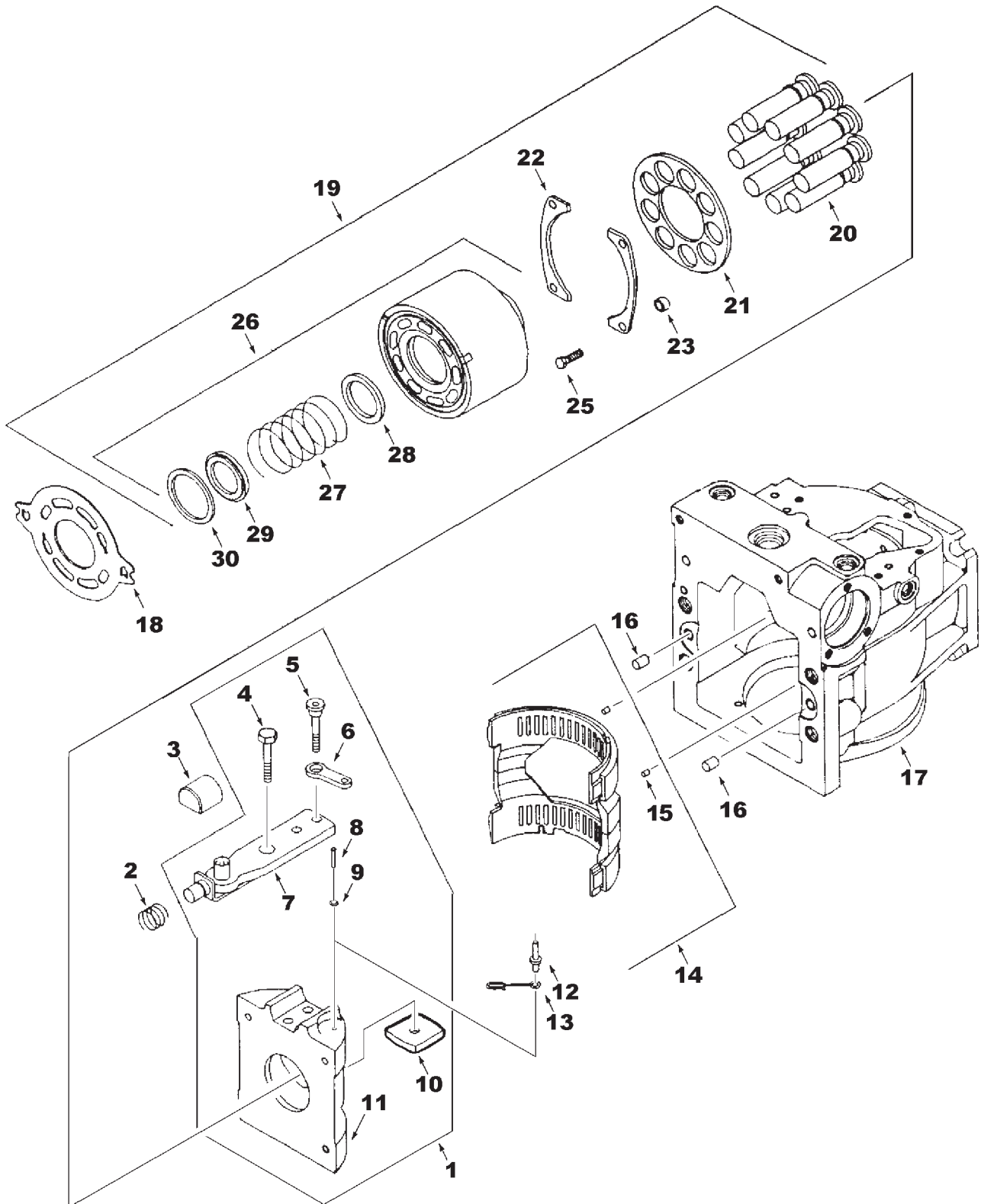
649

ROTOR PUMP
FRONT, 2 OF 4

ITEM	NUMBER	QTY	DESCRIPTION
1	1077639M92	1	END CAP ASY, SIDE PORTS (INCL. ITEMS 2,4,5,6)
2	71374834	1	JOURNAL BEARING
3	70928605	1	PLUG ASY
4	71374894	1	BUSHING
5	1081706M1	1	PLUG ASY
	71396139	1	O-RING
6	1077604M1	1	PLUG ASY
	70928488	1	O-RING
7	71374900	2	SCREW
8	71374895	1	LIFTING BRACKET SPACER
9	71374896	1	LIFTING BRACKET
10	71374897	1	WASHER
12	71374870	2	CHECK VALVE
13	1077684M1	2	PLUG, PIPE
14	1077656M1	1	KEY
15	71396136	1	SHAFT, CHARGE PUMP
16	1077654M1	1	PIN
17	71374853	1	RETAINING PLATE
18	1077658M1	6	SCREW
19	71374898	1	END CAP GASKET
20	1081720M91	1	CHARGE PUMP SET
21	1081721M1	1	AUX. MOUNTING FLANGE, 'C' 14T
22	1081723M1	1	CHARGE PUMP COVER ASSEMBLY, LH
23	71374894	1	BUSHING
24	71396252	1	COUPLING
25	70926762	1	O-RING
26	1081724M1	1	FLANGE ADAPTOR
27	1081725M1	4	WASHER
28	1081726	4	SOCKET HEAD SCREW
29	1081727M1	1	O-RING
30	1081728M1	1	FLANGE COVER
31	1081729M1	4	SCREW

MC00058
PR: 400

ROTOR PUMP
FRONT, 3 OF 4



9790 COMBINE
TRANSMISSION & AXLES

651

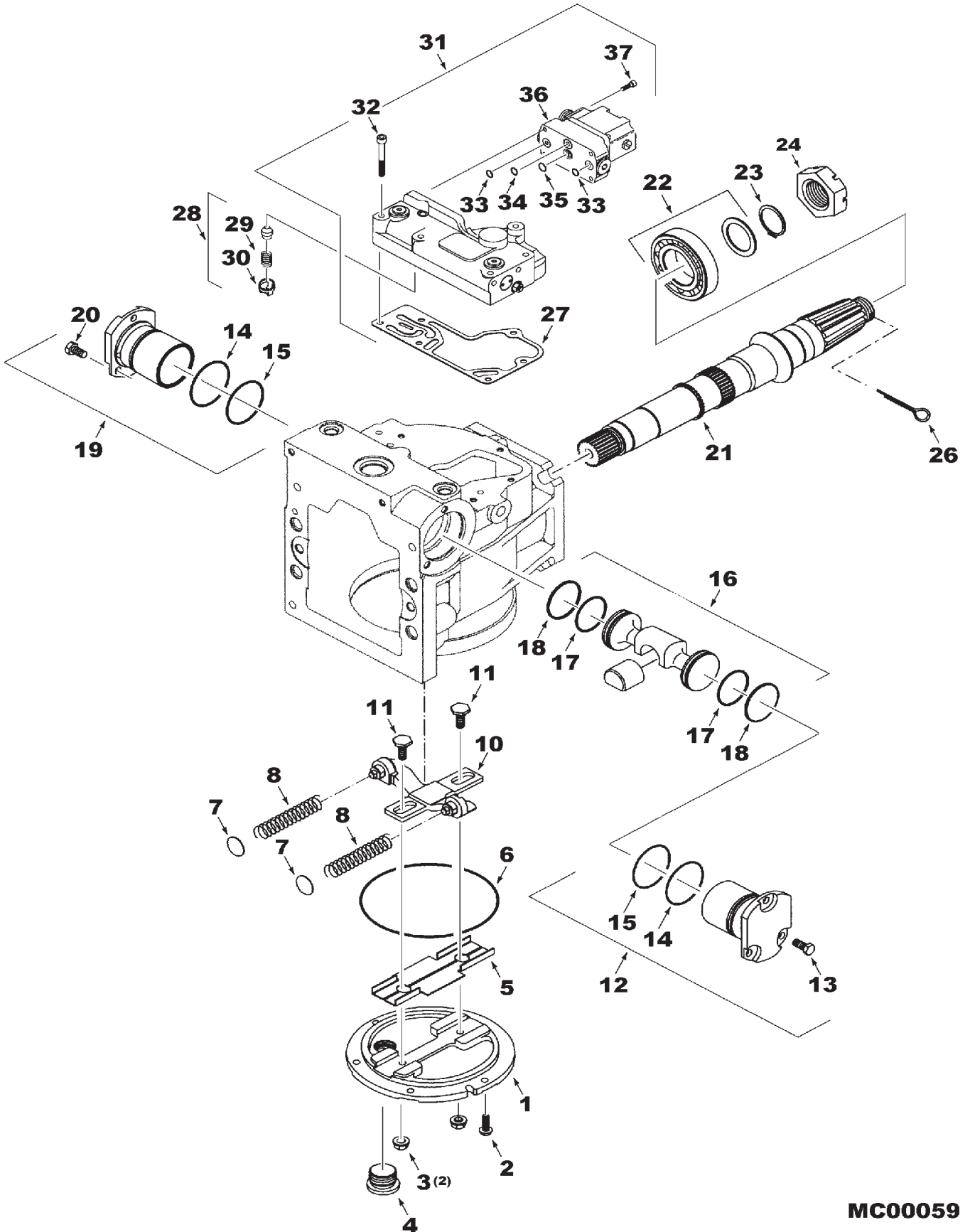
ROTOR PUMP
FRONT, 3 OF 4

ITEM	NUMBER	QTY	DESCRIPTION
1	71374876	1	VARIABLE SWASHPLATE ASY (INCL. ITEMS 4 - 11 INCLUSIVE)
2	71374886	1	SPRING
3	1077635M2	1	SLIDER BLOCK
4	71374880	1	SCREW
5	71374882	1	SCREW
6	71396127	1	FEEDBACK LINK
7	71374877	1	SERVO ARM ASY
8	71374884	1	SPIRAL PIN
9	71374883	1	WASHER
10	71374881	1	SWASHPLATE GUIDE
11	71374879	1	VARIABLE SWASHPLATE
12	71396128	1	PIN
13	71374875	1	CAGE LOCATOR LINK
14	71374872	1	BEARING ASY
15	1077602M1	2	PIN
16	71355340	2	PIN
17	71374958	1	VARIABLE HOUSING
18	71374959	1	VALVE PLATE, 0.5 DEG.
19	71396140	1	CYLINDER BLOCK KIT
20	71374846	9	WELDED PISTON ASY
21	71374847	1	SLIPPER GUIDE
22	71374904	2	SLIPPER GUIDE BEARING
23	71396141	4	SPACER
25	71396142	4	SCREW
26	71374842	1	CYLINDER BLOCK ASY
27	71374844	1	SPRING
28	71374843	1	SPRING SEAT
29	71374845	1	SPRING RETAINER
30	1077611M1	1	RETAINING RING

MC00055
PR: 402

9790 COMBINE
TRANSMISSION & AXLES

ROTOR PUMP
FRONT, 4 OF 4



9790 COMBINE
TRANSMISSION & AXLES

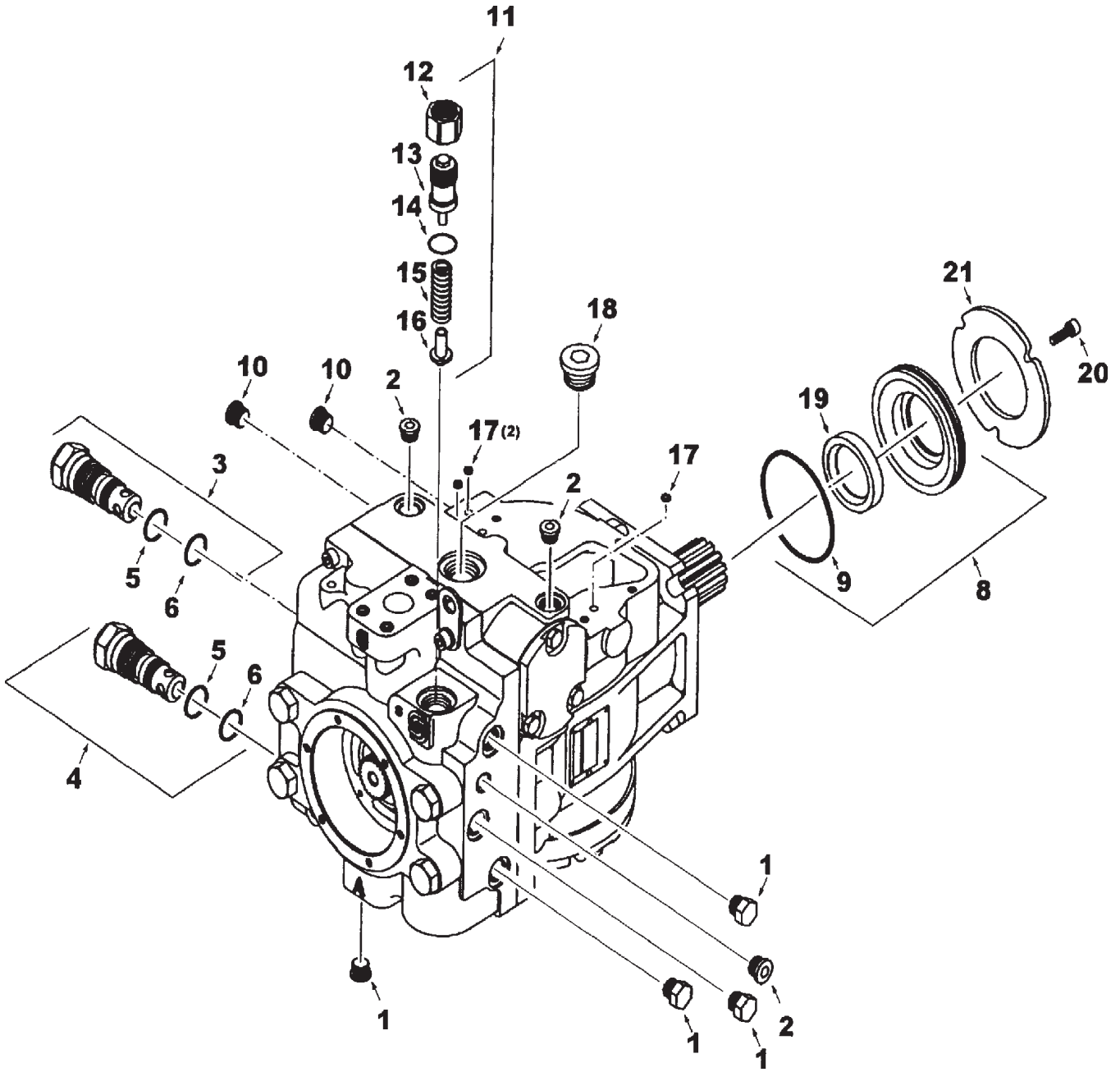
653

ROTOR PUMP
FRONT, 4 OF 4

ITEM	NUMBER	QTY	DESCRIPTION
1	71374960	1	SIDE COVER
2	71374890	6	SCREW
3	1077627M1	2	NUT
4	1077605M1	1	PLUG
5	71396132	1	INSERT ASY, SIDE COVER
6	1077628M1	1	O-RING
7	71396130	2	SHIM
8	71374891	2	HELICAL COMPRESSION SPRING
10	71396129	1	LEVELER ASSEMBLY
11	71396131	2	GUIDE POST
12	71374901	1	SERVO CYLINDER KIT
13	1077638M1	3	SCREW
14	70931589	2	O-RING
15	1077637M1	2	O-RING
16	71396133	1	SERVO PISTON KIT
17	70923865	2	O-RING
18	71358545	2	PISTON RING
19	71374901	1	SERVO CYLINDER KIT
20	1077638M1	3	SCREW
21	71374860	1	SHAFT, TAPERED SPLINE
22	71396137	1	ROLLER BEARING
23	1077664M1	1	RETAINING RING
24	71356529	1	SLOTTED HEX NUT
26	1081731M1	1	COTTER PIN
27	1081699M1	1	GASKET, CONTROL
28	837853M91	1	CONTROL ORIFICE KIT .026
29	71374908	1	SPRING
30	71374909	1	SPRING RETAINER
31	1081734M91	1	EDC
32	1077673M1	6	SCREW
33	1077675M1	2	O-RING
34	71396254	1	O-RING
35	71396255	1	O-RING
36	71396253	1	PCP (INCL. ITEMS 33,34,35)
37	1077678M1	4	SCREW

MC00059
PR: 404

ROTOR PUMP
REAR, 1 OF 4



9790 COMBINE
TRANSMISSION & AXLES

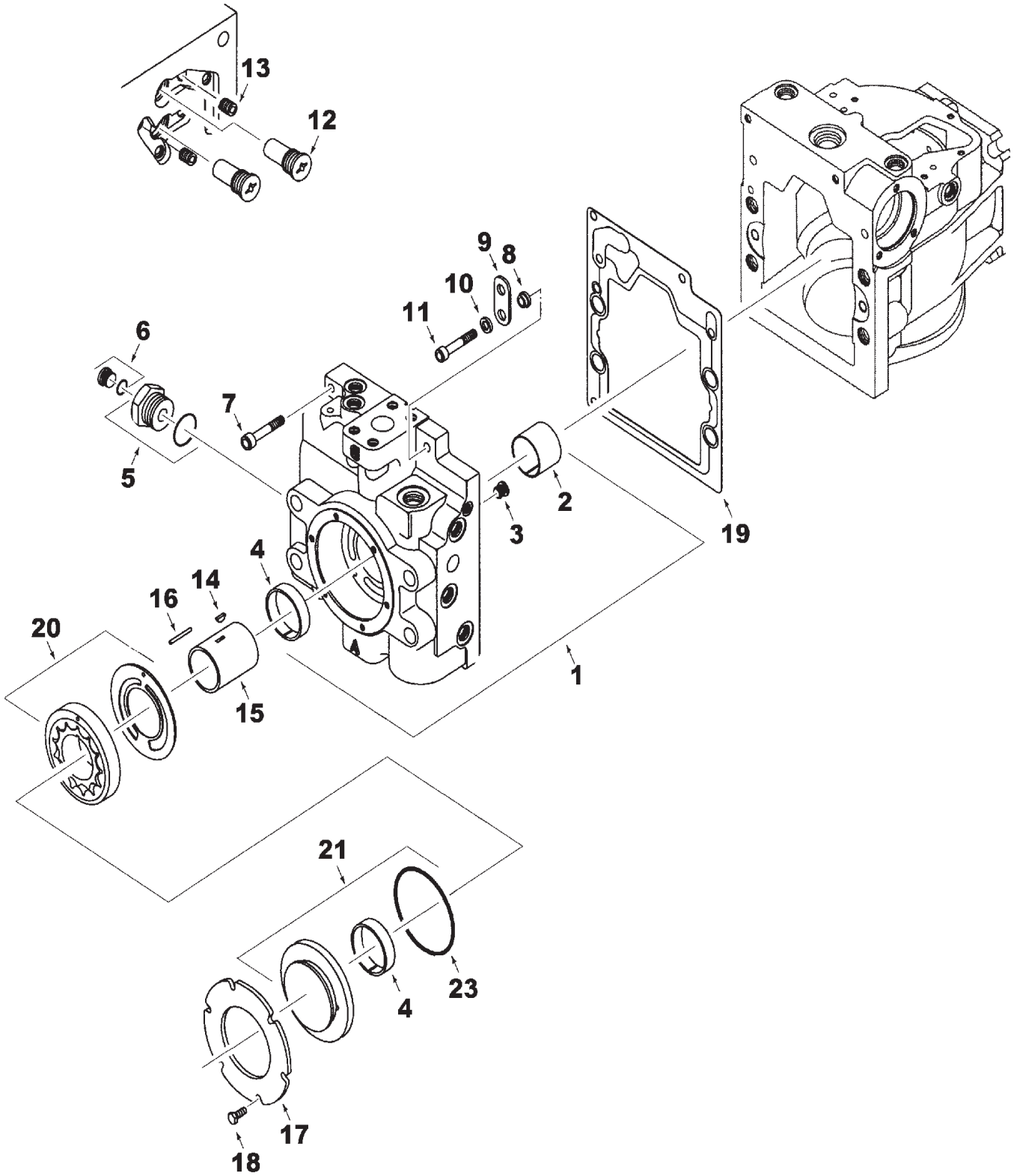
655

ROTOR PUMP
REAR, 1 OF 4

ITEM	NUMBER	QTY	DESCRIPTION
-	71397490	-	PUMP, ROTOR (55CC DISPL.)
-	71396225	-	KIT, OVERHAUL, GASKET & SEAL
1	71374831	4	PLUG
2	70928605	3	PLUG
3	1081707M91	1	MULTI-FUNCTION VALVE KIT
4	1081707M91	1	MULTI-FUNCTION VALVE KIT
5	70923808	2	O-RING
6	70930897	2	O-RING
8	71396209	1	SHAFT SEAL ASSEMBLY
9	71396211	1	O-RING
10	1077604M1	2	PLUG
11	71374918	1	CHARGE RELIEF VALVE KIT
12	1077651M1	1	NUT
13	1077631M91	1	CHARGE RELIEF VALVE PLUG
14	70928486	1	O-RING
15	71374859	1	SPRING
16	71374886	1	POPPET, CHARGE RELIEF
17	71355339	3	FILTER SCREEN, CONTROL
18	1077605M1	1	PLUG
19	71396210	1	LIP SEAL
20	71374840	3	METRIC SCREW
21	71396212	1	RETAINING PLATE

MC00327
PR: 406

ROTOR PUMP
REAR, 2 OF 4



9790 COMBINE
TRANSMISSION & AXLES

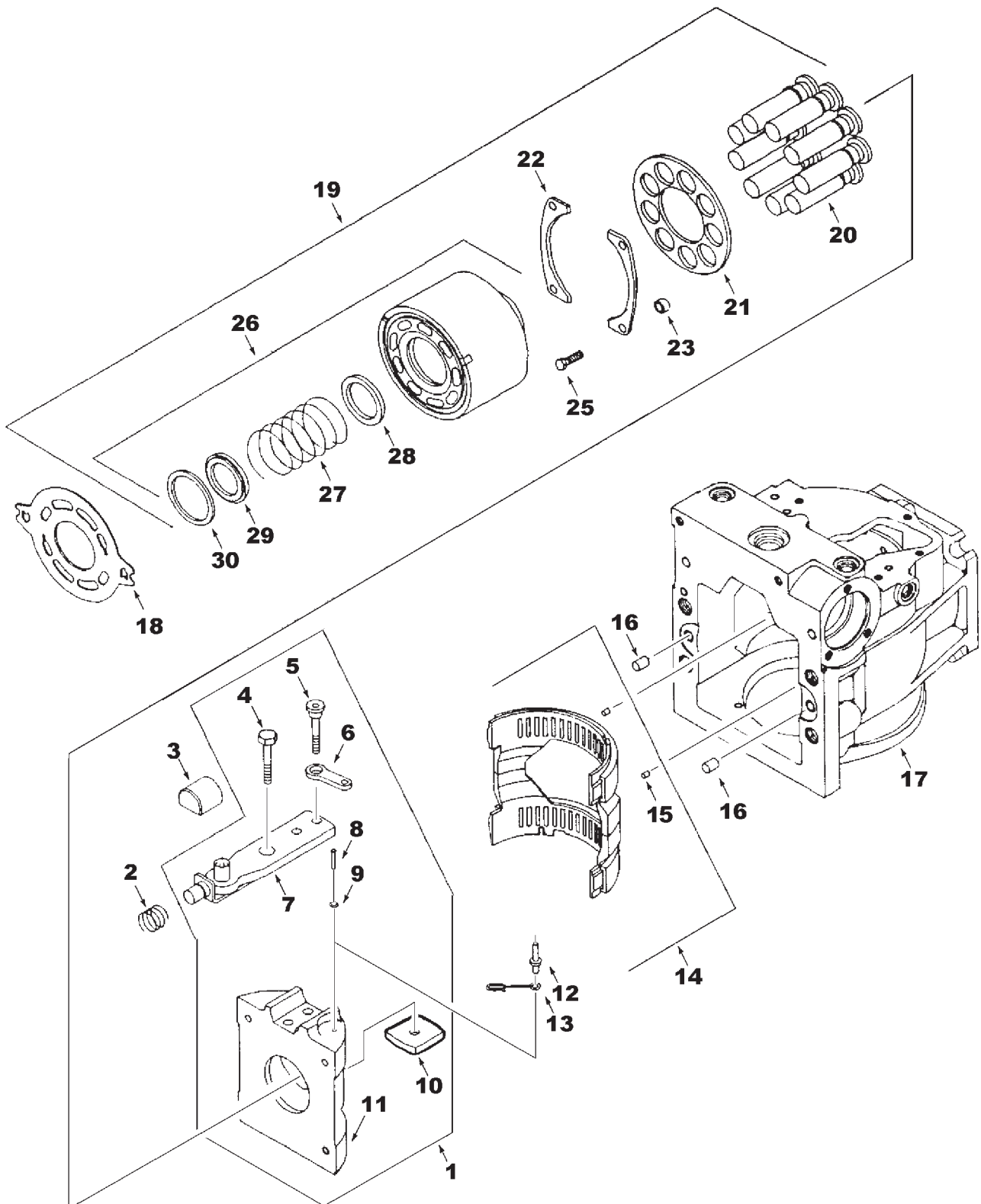
657

ROTOR PUMP
REAR, 2 OF 4

ITEM	NUMBER	QTY	DESCRIPTION
1	71396198	1	END CAP ASSEMBLY, SIDE PORTS (INCL. ITEMS 2 & 4)
2	71396199	1	JOURNAL BEARING
3	70928605	1	PLUG
4	71374894	2	BUSHING
5	1081706M1	1	REDUCER
	71396139	1	O-RING
6	1077604M1	1	PLUG
	70921885	1	O-RING
7	71396201	1	SCREW
8	71374895	1	LIFTING BRACKET SPACER
9	71374896	1	LIFTING BRACKET
10	71374897	1	WASHER
11	71374900	1	SCREW
12	71374870	2	CHECK VALVE
13	1077684M1	2	PLUG
14	71396205	1	KEY
15	71396204	1	CHARGE PUMP SHAFT
16	71396203	1	PIN
17	71374853	1	RETAINING PLATE
18	1077658M1	6	SCREW
19	71396200	1	END CAP GASKET
20	71396202	1	CHARGE PUMP SET
21	71374855	1	CHARGE PUMP COVER ASSEMBLY
23	1077661M1	1	O-RING

MC00328
PR: 408

ROTOR PUMP
REAR, 3 OF 4



9790 COMBINE
TRANSMISSION & AXLES

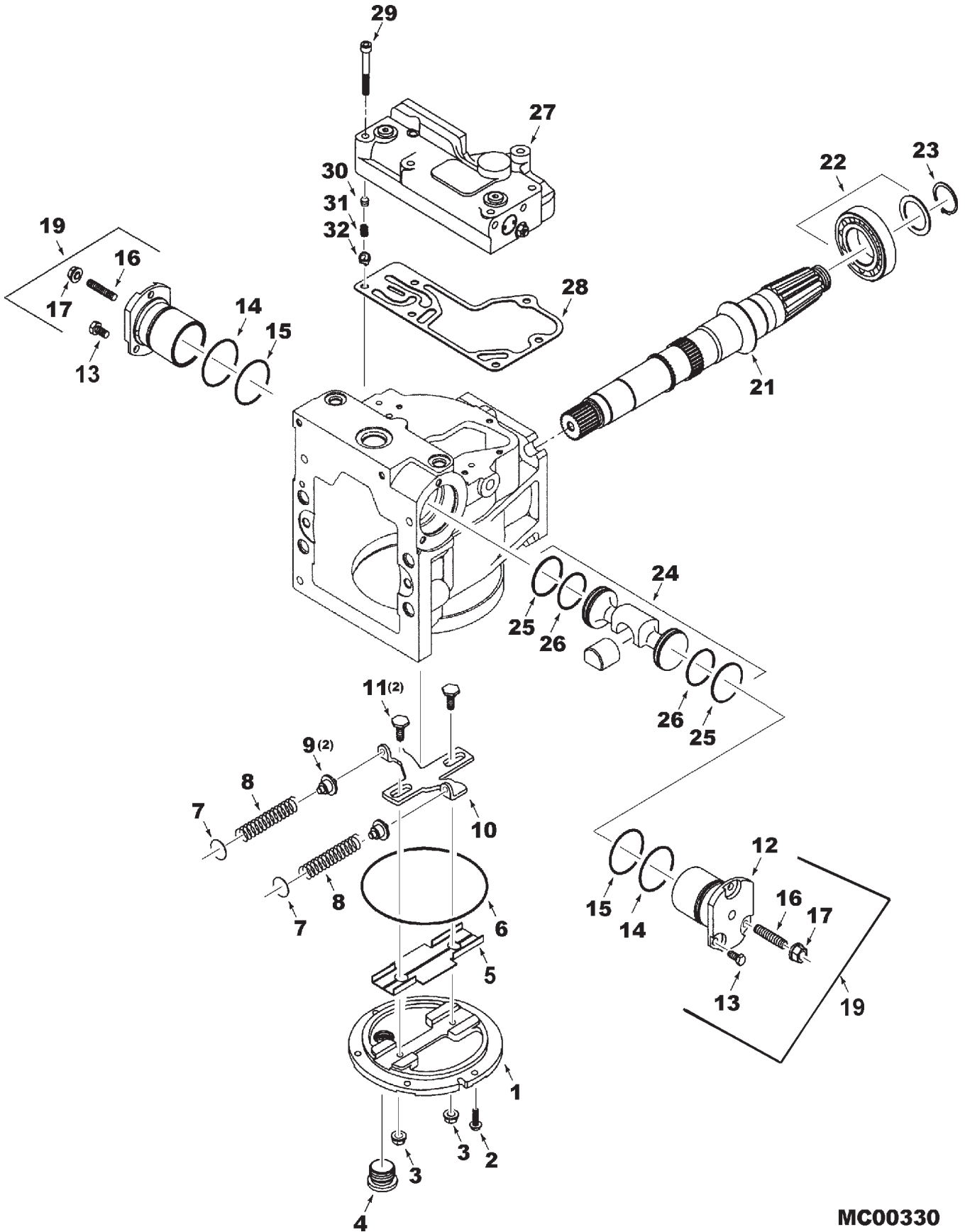
659

ROTOR PUMP
REAR, 3 OF 4

ITEM	NUMBER	QTY	DESCRIPTION
1	71396182	1	VARIABLE SWASHPLATE ASSEMBLY (INCL. ITEMS 4-11)
2	71396187	1	SPRING
3	1081684M1	1	SLIDER BLOCK
4	1081670M1	1	SCREW
5	1081671M1	1	SCREW
6	71396185	1	FEEDBACK LINK
7	71396183	1	SERVO ARM ASSEMBLY
8	71374884	1	SPIRAL PIN
9	71374883	1	WASHER
10	71374881	1	SWASHPLATE GUIDE
11	71396184	1	VARIABLE SWASHPLATE
12	71396186	1	PIN
13	1081673M1	1	CAGE LOCATOR LINK
14	71396180	1	BEARING ASY
15	1077602M1	2	PIN
16	700702137	2	PIN
17	71396179	1	VARIABLE HOUSING
18	71396181	1	VALVE PLATE
19	71396257	1	ROTATING GROUP KIT
20	71396220	9	WELDED PISTON
21	71396221	1	SLIPPER GUIDE
22	71396222	2	SLIPPER GUIDE BEARING
23	71396223	4	SPACER
25	71396224	4	SCREW
26	71396215	1	CYLINDER BLOCK ASSEMBLY
27	71396216	1	SPRING
28	71396217	1	SPRING SEAT
29	71396218	1	SPRING RETAINER
30	71396219	1	RETAINING RING

MC00055
PR: 410

ROTOR PUMP
REAR, 4 OF 4



9790 COMBINE
TRANSMISSION & AXLES

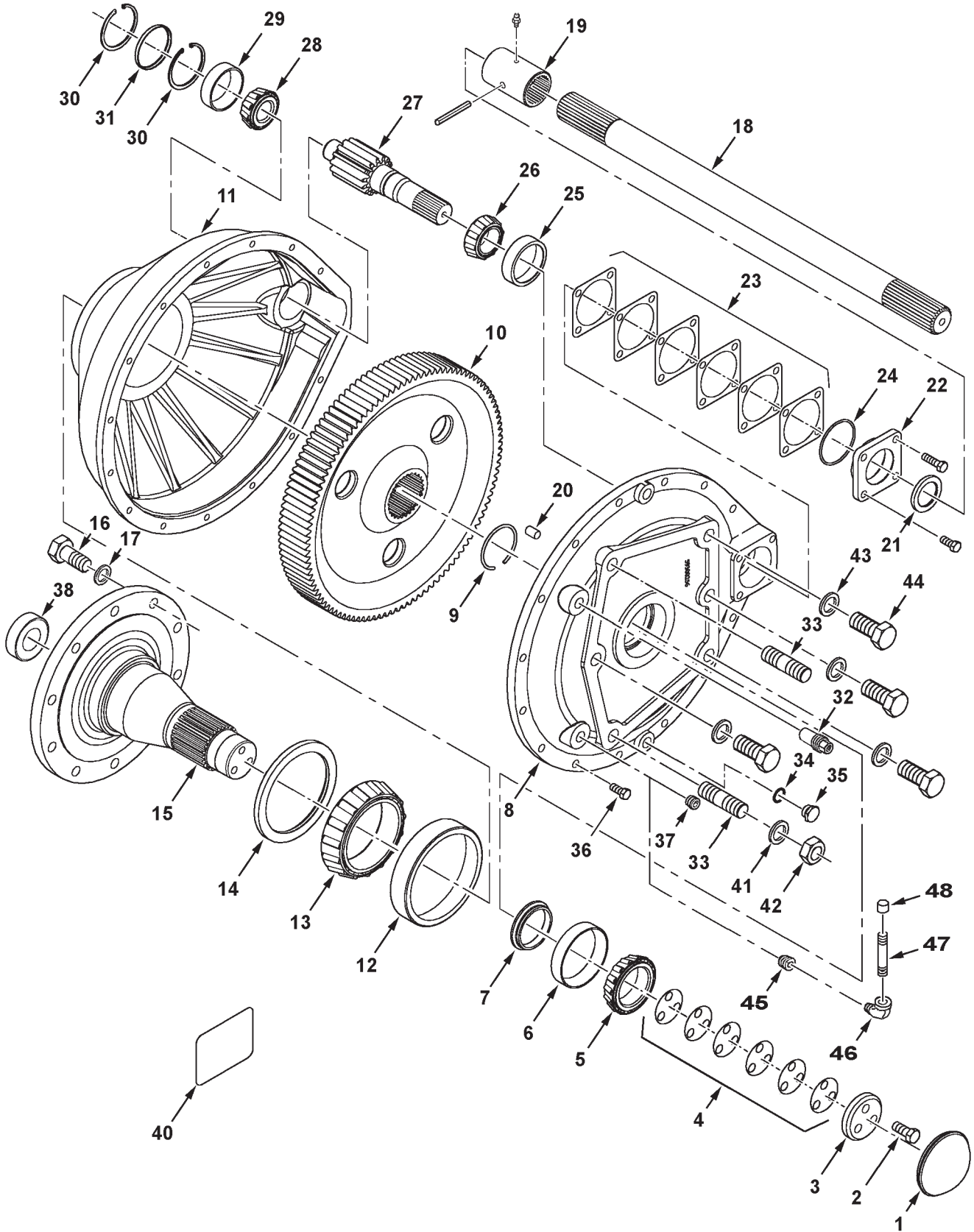
661

ROTOR PUMP
REAR, 4 OF 4

ITEM	NUMBER	QTY	DESCRIPTION
1	71396188	1	SIDE COVER
2	71374890	6	SCREW
3	1077627M1	4	NUT
4	1077605M1	1	PLUG
5	71396192	1	INSERT ASY, SIDE COVER
6	70926762	1	O-RING
7	71396130	2	SHIM
8	71396191	2	HELICAL COMPRESSION SPRING
9	71396190	2	SEAT, SPRING
10	71396189	1	LEVELER ASSEMBLY (INCLS ITEM 9)
11	71374961	2	GUIDE POST
12	71397491	2	SERVO CYLINDER KIT
13	1077638M1	6	SCREW
14	71396193	2	O-RING
15	71396194	2	O-RING
16	1081711M1	2	SET SCREW
17	1077627M1	2	NUT, SEAL
19	71397491	2	KIT, SERVO CYLINDER
21	71396207	1	SHAFT, 14 TOOTH SPLINE
22	71396208	1	ROLLER BEARING
23	71355384	1	RETAINING RING
24	71396195	1	SERVO PISTON KIT
25	71396197	2	PISTON RING
26	71395322	2	O-RING
27	71396213	1	HDC KIT (INCL. ITEMS 28,29)
28	71396214	1	CONTROL GASKET
29	1077673M1	6	SCREW
30	837853M91	1	KIT, CONTROL ORIFICE .026
31	71374908	1	SPRING
32	71374909	1	SPRING RETAINER

MC00330
PR: 412

FINAL DRIVE, S39
(PRIOR S/N HS36101)



**9790 COMBINE
TRANSMISSION & AXLES**

663

**FINAL DRIVE, S39
(PRIOR S/N HS36101)**

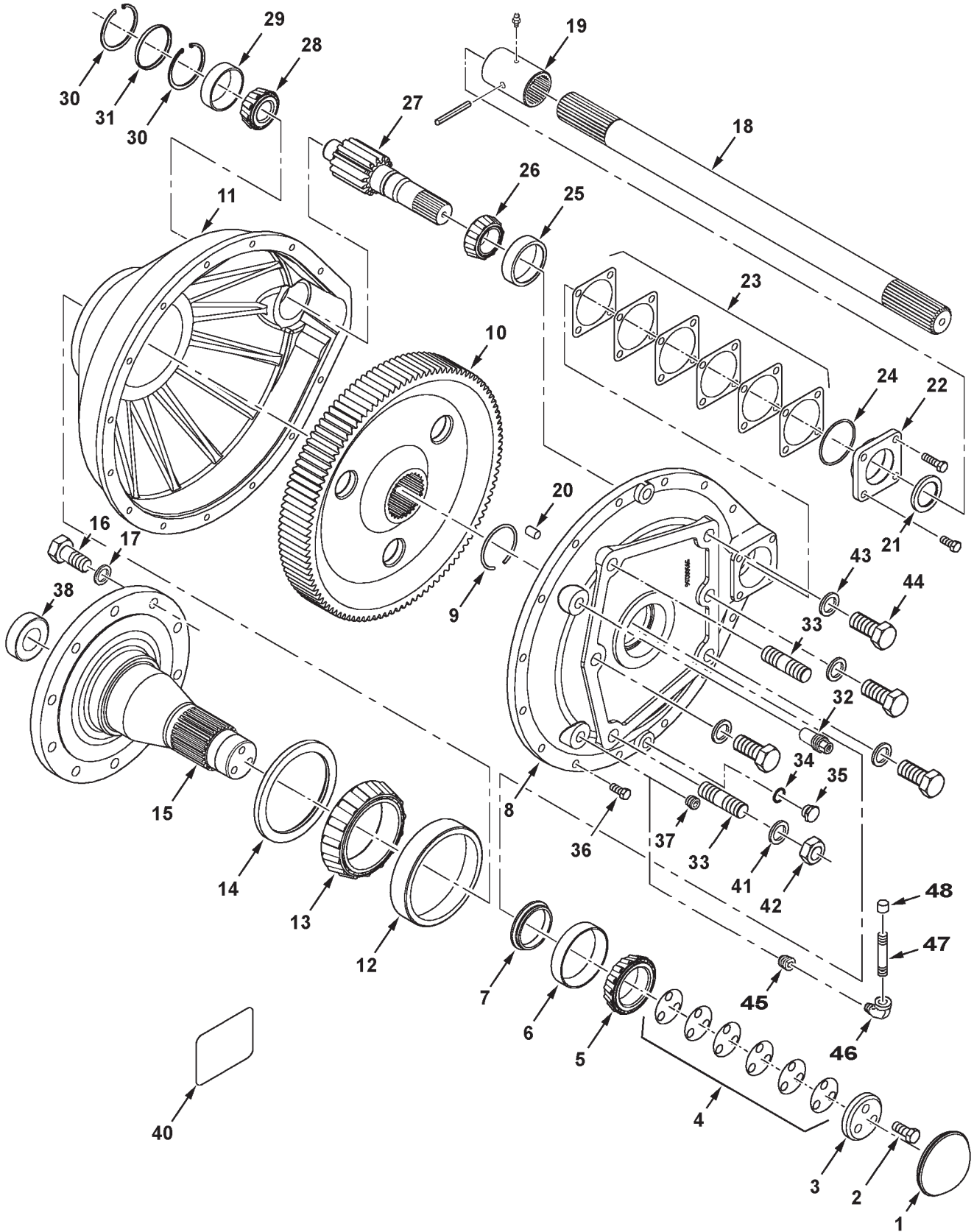
ITEM	NUMBER	QTY	DESCRIPTION
-	71400420	2	FINAL DRIVE ASY. S39 (INCL. 1 PINT OIL)
1	71304261	2	CAP, BEARING
2	70950388	6	CAPSCREW, M16-2.0 X 40; C10.9, PHOS.
3	71391572	2	WASHER - AXLE (HARDENED)
4	71304262	2	SHIM, .005
	71304263	2	SHIM, .007
	71304264	2	SHIM, .010
5	70930884	2	CONE, BEARING
6	70930883	2	CUP, BEARING
7	71304266	2	SPACER, AXLE
8	-----	2	HOUSING, INNER (PRIOR S/N HR36101) (ORDER HOUSING ASY ITEM 11)
	79021649	AR	SILMATE, RTV, (13 OZ. TUBE)
9	71304267	2	RING, SNAP, ROUND
10	71389647	2	GEAR, FINAL DRIVE
11	-----	2	HOUSING, OUTER (PRIOR S/N HR36101)
	71406280	2	HOUSING ASY, S39H (EFF. S/N HR36101) (INCL. ITEMS 8, 20, 36)
12	7713860	2	CUP, BEARING
13	71314481	2	CONE, BEARING
14	7744477	2	SEAL, OIL
15	71327595	2	AXLE
16	70925806	20	CAPSCREW 7/8-9 NC X 3 GR8
17	705665	20	WASHER, HARD .94 ID X 1.75 OD
18	71309514	1	SHAFT, DRIVE, LH
	71309515	1	SHAFT, DRIVE, RH
19	71310379	4	COUPLING (2 REQD W/AXLE RISERS)
	71395825	2	COUPLING, OUTER, (W/AXLE RISERS)
	13811X	4	LUBE FTG, STR, 1/4-28 TAPER THD
	Y763318	4	PIN, SPIROL (2 REQD W/AXLE RISERS)
	70925459	2	PIN, SPIROL (W/AXLE RISERS)
	70923219	4	ZERK, GREASE
	-----	4	WIRE, LOCK (CAN USE 70910815; CUT TO LENGTH)

CONTINUED

GC00371
PR: 414

9790 COMBINE
TRANSMISSION & AXLES

FINAL DRIVE, S39
(PRIOR S/N HS36101)



**9790 COMBINE
TRANSMISSION & AXLES**

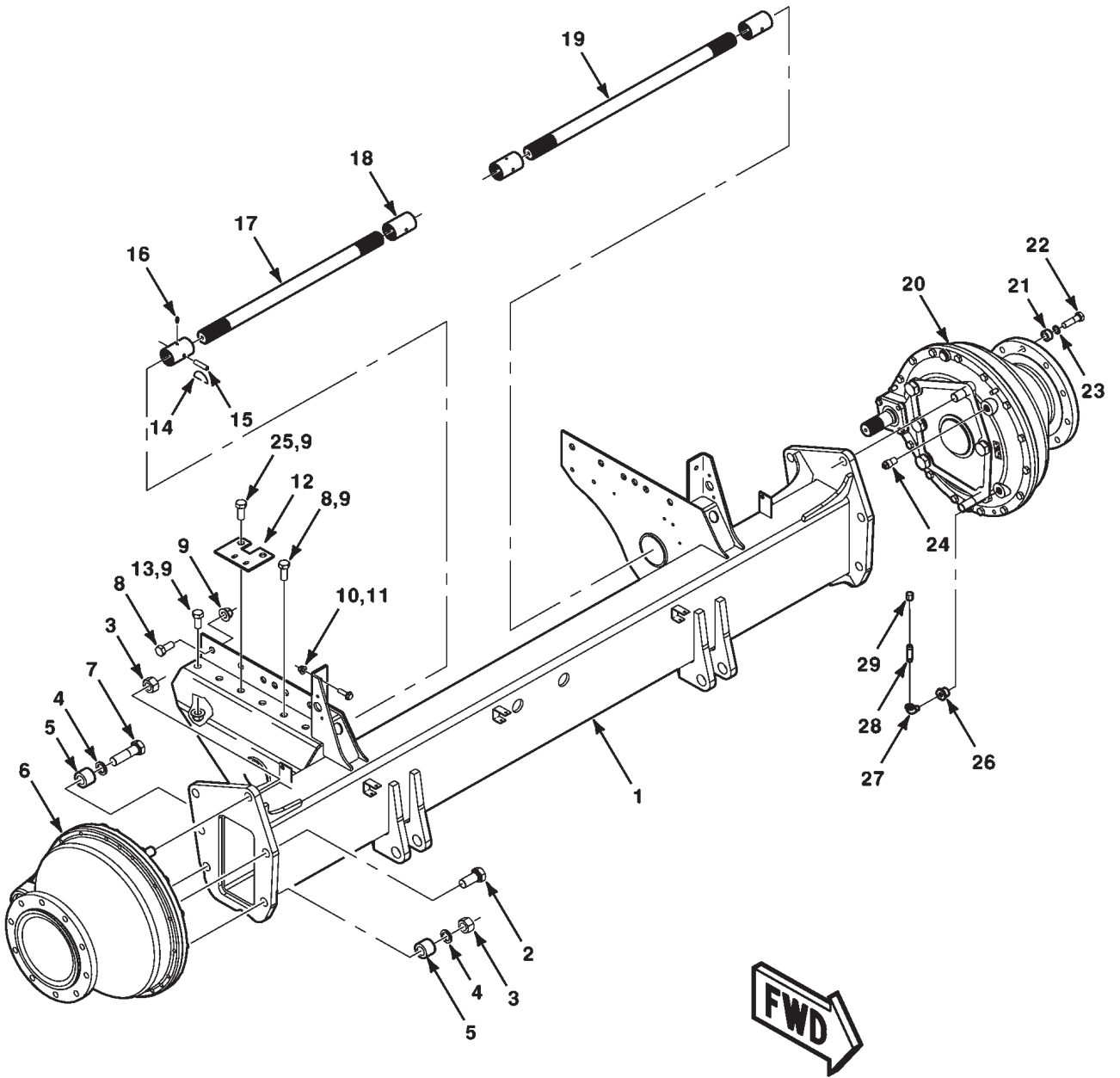
665

**FINAL DRIVE, S39
(PRIOR S/N HS36101)**

ITEM	NUMBER	QTY	DESCRIPTION
20	70926551	6	PIN, DOWEL, 1/2 X 1
21	700717365	2	SEAL, OIL
22	71304292	2	RETAINER, BEARING
	70950377	4	CAPSCREW M12-1.75 X 30 LG C10.9
	70950417	4	CAPSCREW M12-1.75 X 80 LG C10.9
23	71166170	4	SHIM, .005
	71166171	4	SHIM, .007
	71166172	4	SHIM, .010
24	70923816	2	O-RING, .139 X 3.23 ID
25	71162782	2	CUP, BEARING
26	71162781	2	CONE, BEARING
27	71400418	2	PINION, FINAL DRIVE, 14T
28	70210011	2	CONE, BEARING
29	70210012	2	CUP, BEARING
30	Y52894	4	RING, RETAINING, INT.
31	71304271	2	PLUG, HOLE
32	71340437	2	VENT ASY, W/ FILTER
33	71311456	4	STUD, 1-1/8-7
34	71183757	4	GASKET, PLUG
35	71369299	4	PLUG, MAGNETIC DRAIN
36	5000017X1	28	CAPSCREW, M14-2.0 X 40, C10.9, BLK PHOS.
37	3008469	2	PLUG,PIPE, 3/4 NPTF (PRIOR S/N HR36101)
38	71370926	20	SPACER, WHEEL BOLT .91 ID X 2.0 X 1.0
40	71348455	2	DECAL - TORQUE, 600 FT.LB.
41	71339238	4	WASHER, SPECIAL
42	7704778	4	NUT, 1-1/8-7 REG. GR5
43	70933817	8	CAPSCREW, 1-1/8-7 X 2-1/2 GR 8
44	71339238	8	WASHER, SPECIAL
45	70901840	2	* BUSHING, PIPE, 3/4 NPT X 1/4
46	Y46086	2	* ELBOW, 90 DEG STREET, 1/4 NPT
47	70901480	2	* PIPE NIPPLE, 1/4 NPT X 2" LG
48	71312323	2	* CAP, 1/4 NPT
			*(EFF. S/N HR36101)
-	79021676	AR	LOCTITE, PRIMER N (6 OZ)
-	79021669	AR	LOCTITE, THREADLOCKER (10 ML)

GC00371
PR: 414

FRONT AXLE AND FINAL DRIVES
(EFF. S/N HS36101)



9790 COMBINE
TRANSMISSION & AXLES

667

FRONT AXLE AND FINAL DRIVES
(EFF. S/N HS36101)

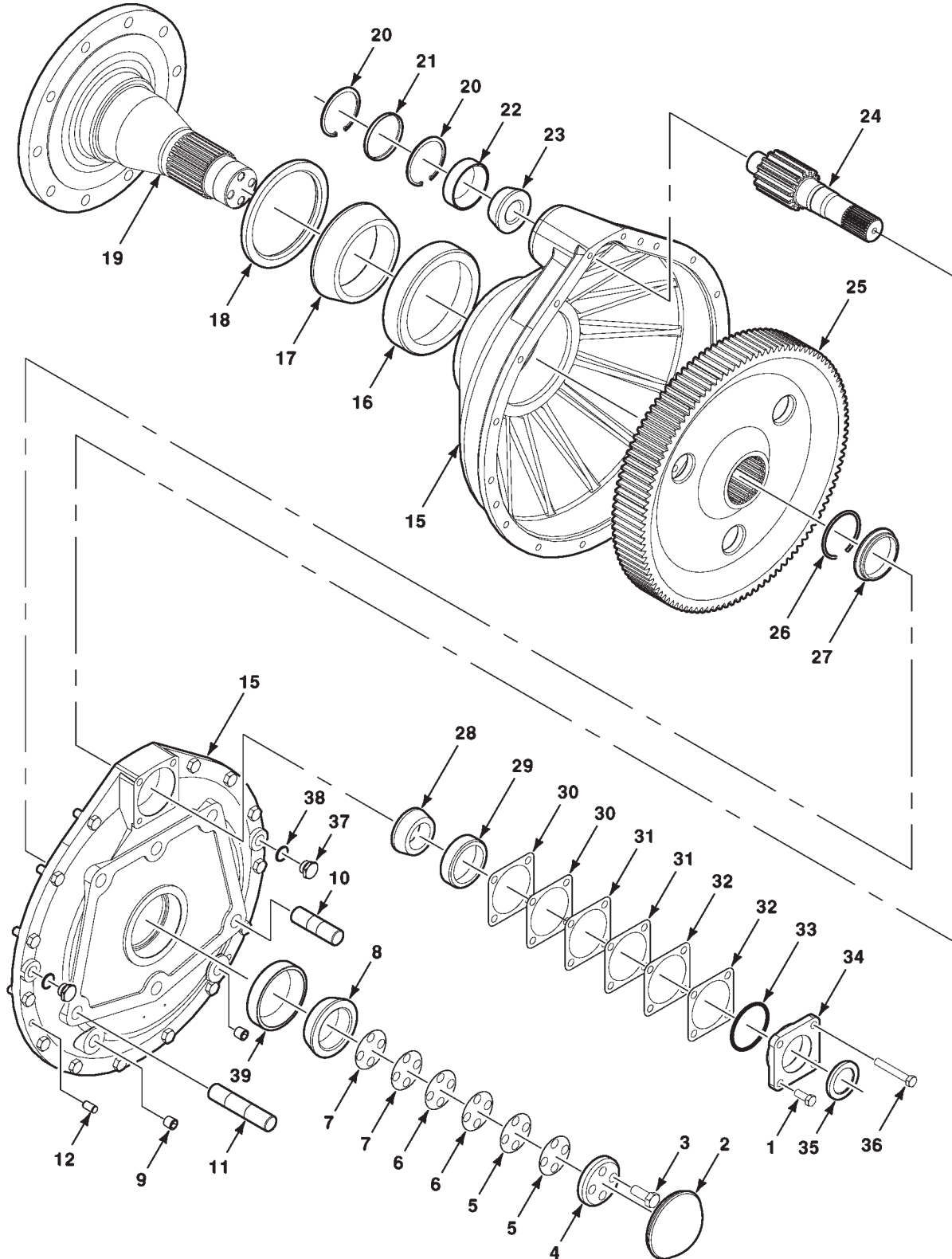
ITEM	NUMBER	QTY	DESCRIPTION
1	71408709	1	FRONT AXLE-MACHINED
2	70934417	6	CAPSCREW, 1-1/8-12 X 2-1/2 GR8
3	704627	4	NUT, 1-1/8-12
4	71339238	4	WASHER-SPECIAL
5	71408772	4	SPACER
6	71400422	1	FINAL DRIVE ASY-S40, RH
7	70934422	2	CAPSCREW, 1-1/8-12 X 4 GR8
8	3011004X1	12	CAPSCREW, M20-2.5 X 45 CL8.8
9	5000007X1	20	NUT, HEX FLANGE NYL LOCK, M20 X 2.5
10	3009222X1	4	BOLT, FLANGE, M12-1.75 X 40 CL10.9
11	5000005X1	4	NUT, HEX FLANGE NYL LOCK, M12 X 1.75
12	71408711	2	PLATE-MUDSHIELD
13	1441590X1	4	CAPSCREW-FULL THD, M20-2.5 X 50 CL 8.8
14	8022691	4	WIRE TIE
15	Y763318	4	PIN, COILED SPRING, 3/8 X 2-1/4 LG
16	70923219	4	LUBE FTG, 1/4-28 TAPER DRIVE
17	71309514	1	SHAFT-DRIVE
18	71310379	4	COUPLING
19	71309515	1	SHAFT-DRIVE
20	71400421	1	FINAL DRIVE ASY-S40, LH
21	71370926	20	SPACER
22	700729503	20	CAPSCREW, SPL, 7/8-9 X 3 L9
23	705665	20	WASHER-PLAIN, 7/8
24	71340437	2	VENT W/FILTER
25	3001968X1	4	CAPSCREW, M20-2.5 X 60 CL8.8
26	70901840	2	BUSHING, PIPE, 3/4 NPT X 1/4
27	Y46086	2	ELBOW, 90 DEG STREET, 1/4 NPT
28	70901480	2	PIPE NIPPLE, 1/4-18 NPT X 2" LG
29	71312323	2	CAP, 1/4 NPT

MC00529

PR: t07a23o20b0016

9790 COMBINE
TRANSMISSION & AXLES

FINAL DRIVE, S40
(EFF. S/N HS36101)



**9790 COMBINE
TRANSMISSION & AXLES**

669

**FINAL DRIVE, S40
(EFF. S/N HS36101)**

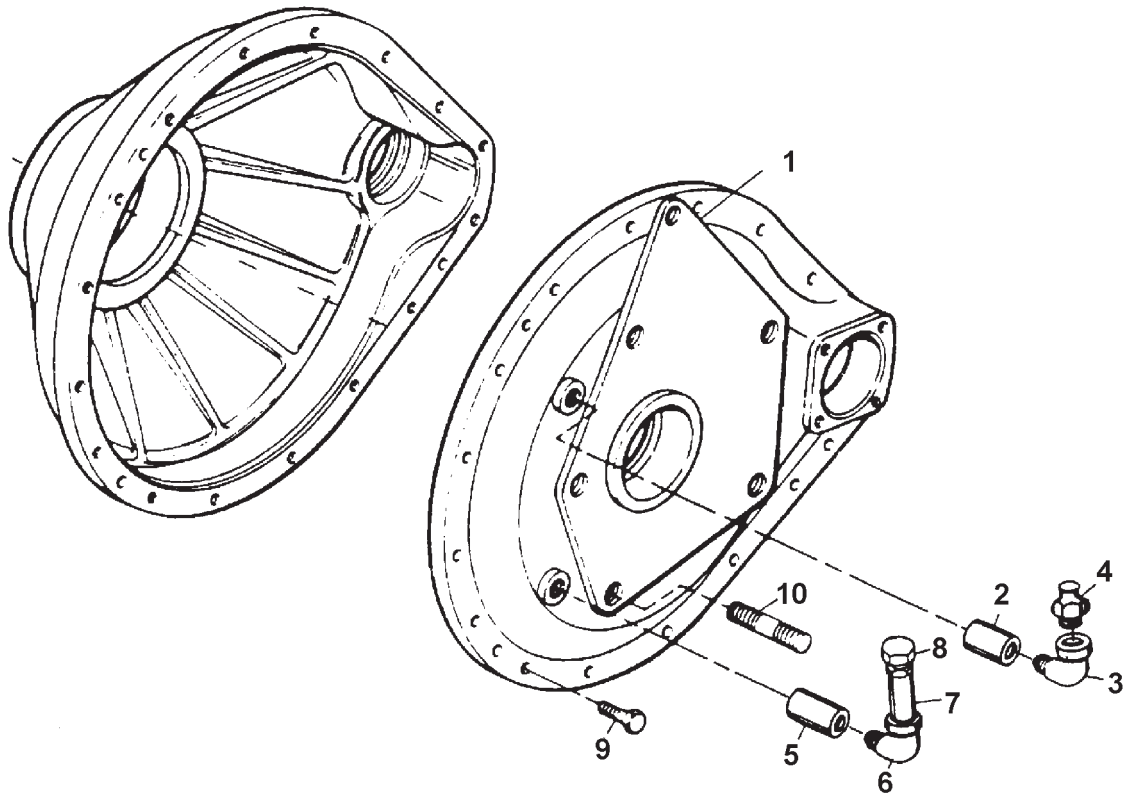
ITEM	NUMBER	QTY	DESCRIPTION
-	71400421	1	FINAL DR ASY, LH, S40 (SHOWN) (INCL. 1 PINT OIL)
-	71400422	1	FINAL DR ASY, RH, S40 (INCL. 1 PINT OIL) (SAME AS 71408775 EXCEPT ITEM 10&11)
1	3010492X1	2	CPSR-FL THD,M12-1.75X30 PHOS COAT,CL10.9
2	71304261	1	CAP BEARING S35
3	3010783X1	4	CAPSCREW,M16-2.0X40 PHOS COAT,CLASS 10.9
4	71408769	1	WASHER-AXLE
5	71408768	2	SHIM-.254/.010
6	71408766	2	SHIM-.127/.005"
7	71408767	2	SHIM-.178/.007
8	70930884	1	CONE-BEARING
9	3008469	2	PIPE PLUG PIPE THREAD
10	71409768	1	STUD 1-1/8-12 (LH ASY SHOWN)
	71408773	1	STUD 1-1/8-12 (RH ASY)
11	71408773	1	STUD 1-1/8-12 (LH ASY SHOWN)
	71409768	1	STUD 1-1/8-12 (RH ASY)
12	700718109	3	DOWEL 1/2 X 1
15	71408771	1	HOUSE ASM-FINAL DRIVE
	5000017X1	14	CAPSCREW, M14-2.0 X 40 CL10.9
16	7713860	1	CUP-BEARING
17	71314481	1	CONE-BEARING
18	7744477	1	OIL SEAL
19	71408770	1	AXLE
20	Y52894	2	RING-RETAINING
21	71304271	1	PLUG-HOLE
22	70210012	1	CUP-BEARING
23	70210011	1	CONE-BEARING
24	71400418	1	PINION-14 T FINAL DRIVE
25	71389647	1	GEAR-107T FINAL DRIVE
26	71304267	1	SPAP RING, ROUND SECT.
27	71304266	1	SPACER-AXLE
28	71162781	1	CONE-BEARING
29	71162782	1	CUP-BEARING
30	71166170	2	SHIM .005
31	71166171	2	SHIM .007
32	71166172	2	SHIM .010
33	70923816	1	O-RING 3.53x82.14
34	71304292	1	RETAINER-BRG
35	700717365	1	SEAL-RING
36	3019856X1	2	CAPSCREW, M12-1.75X80 PHOS COAT, CL 10.9
37	71369299	2	PLUG-MAGNETIC DRAIN
38	71183757	2	GASKET
39	70930883	1	CUP-BEARING

MC00530
PR: t07a23o20b0017

670

9790 COMBINE
TRANSMISSION & AXLES

4" AXLE RISERS
FINAL DRIVE, S39
(PRIOR S/N HS36101)



GC00160

9790 COMBINE
TRANSMISSION & AXLES

671

4" AXLE RISERS
FINAL DRIVE, S39
(PRIOR S/N HS36101)

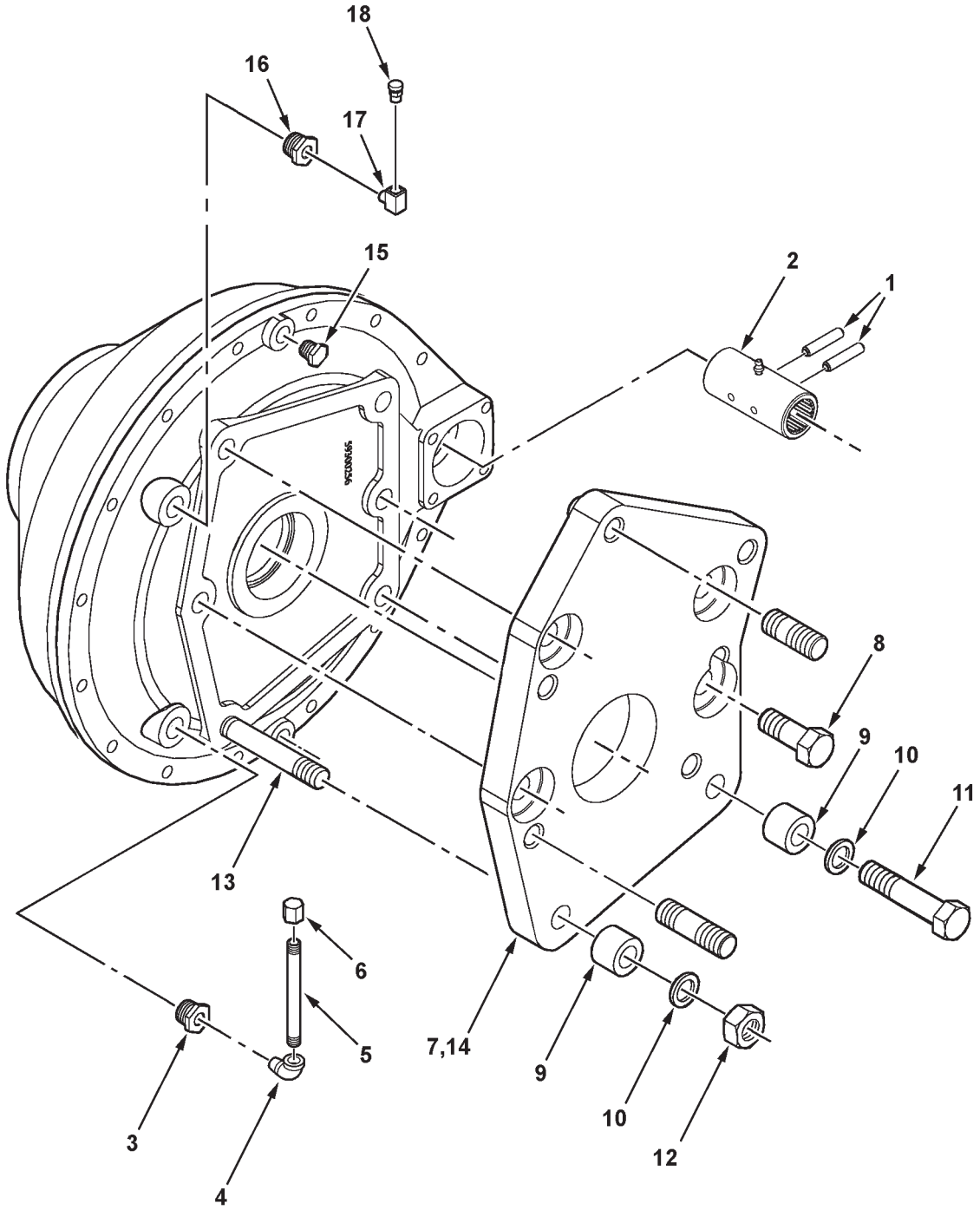
ITEM	NUMBER	QTY	DESCRIPTION
1	71375751	1	RISER,FINAL DRIVE, LH
	71375752	1	RISER,FINAL DRIVE, RH
	71369307	2	BREATHER PLUG
2	803783	2	BUSHING, PIPE, 3/4 X 1/8
3	70923690	2	ELBOW, 90 DEG STREET, 1/8 NPT
4	7751605	2	VENT, BREATHER
5	70901840	2	BUSHING, PIPE, 3/4 X 1/4
6	Y46086	2	ELBOW, 90 DEG STREET, 1/4 NPT
7	70901480	2	PIPE NIPPLE, 1/4 X 2" LG (PRIOR S/N HR36101)
	70919889	2	PIPE NIPPLE, 1/4 X 5" LG (EFF. S/N HR36101)
8	71312323	2	CAP, 1/4 NPT
9	70933817	12	CAPSCREW, 1-1/8-7 X 2-1/2 GR8
10	71311456	4	STUD,1.125-7
-	79021676	AR	LOCTITE, PRIMER N (6 OZ)
-	79021669	AR	LOCTITE, THREADLOCKER (10 ML)
-	71399049	-	KIT, 4" AXLE RISER (ORDER THRU DEALER CENTRAL)

GC00160
PR: 418

672

9790 COMBINE
TRANSMISSION & AXLES

4" AXLE RISERS
FINAL DRIVE, S40
(EFF. S/N HS36101)



GC00503

9790 COMBINE
TRANSMISSION & AXLES

673

4" AXLE RISERS
FINAL DRIVE, S40
(EFF. S/N HS36101)

ITEM	NUMBER	QTY	DESCRIPTION
1	70925459	4	PIN, SPIROL, 3/8 X 2-1/2 LG
2	71395825	2	COUPLING, OUTER, 2.50 DIA
3	70901840	2	PIPE BUSHING, 3/4 X 1/4 NPTF
4	Y46086	2	ELBOW, 90 DEG STREET, 1/4 NPTF
5	70919889	2	PIPE NIPPLE, 1/4 NPT X 5" LG
6	71312323	2	CAP, STANDPIPE, 1/4 NPTF
7	71409911	1	RISER PLATE, FINAL DR, RH (SHOWN)
8	70934417	8	CAPSCREW, 1-1/8-12 X 2-1/2 GR8
9	71408772	4	SPACER
10	71339238	4	WASHER, SPECIAL (BOTTOM 2 POS'NS ONLY)
11	70934424	2	CAPSCREW, 1-1/8-12 X 5-1/2 GR8
12	70929602	2	NUT, 1-1/8-12 REG.
13	71412596	2	STUD, 1-1/8-12 X 6.3 LG
14	71409910	1	RISER PLATE, FINAL DR, LH (NOT SHOWN)
15	71369307	2	BREATHER PLUG
16	803783	2	PIPE BUSHING, 3/4 X 1/8 NPTF
17	70923690	2	ELBOW, STREET 1/8 NPT
18	7751605	2	VENT, BREATHER
-	71407139	AR	KIT, 4" AXLE RISER (ORDER THRU DEALER CENTRAL)

GC00503
PR: 71409913-01-11

**9790 COMBINE
TRANSMISSION & AXLES**

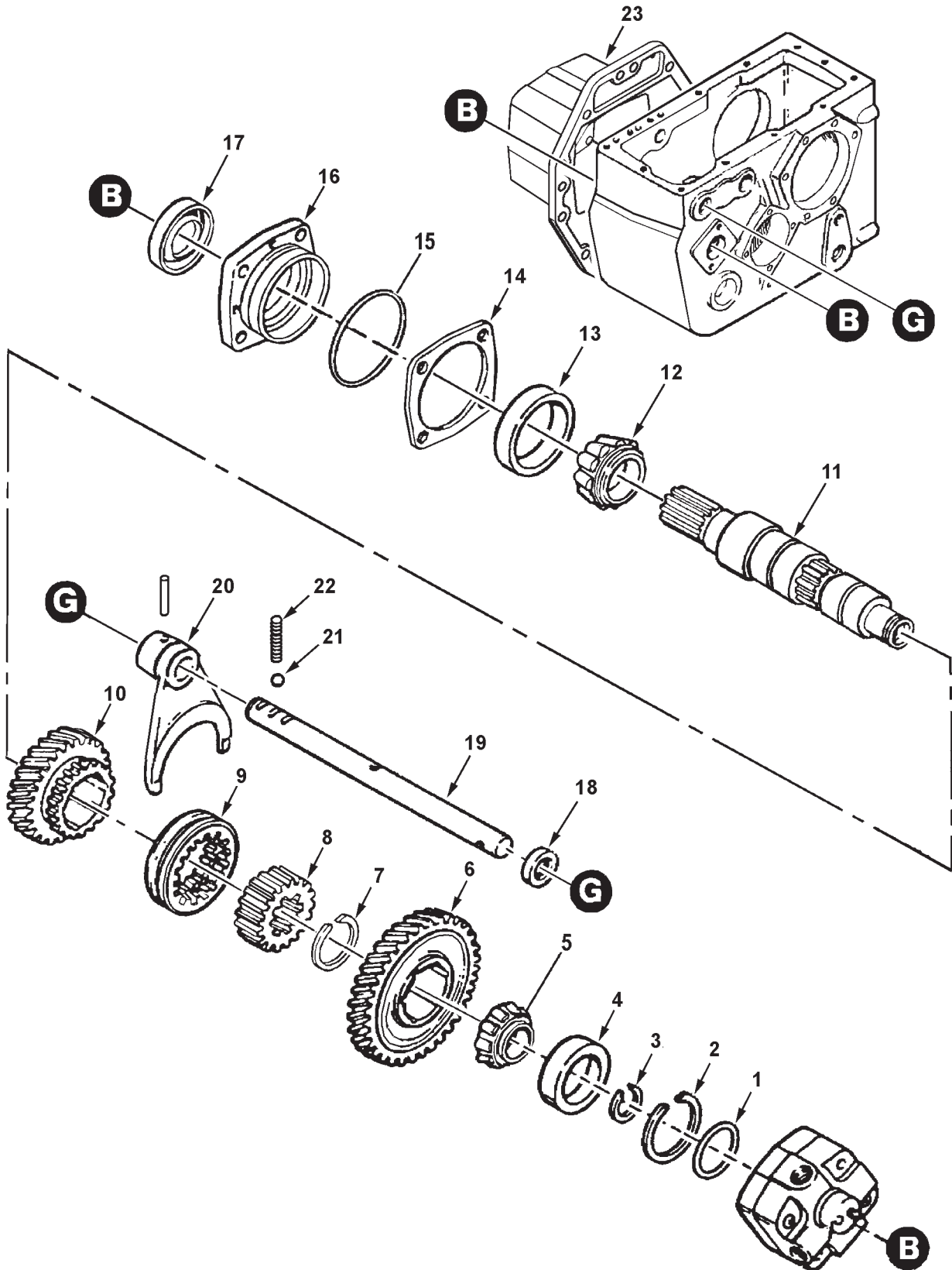
675

**TRANSMISSION, GEAR
PRESSURE LUBE & HYDRO MOTOR**

ITEM	NUMBER	QTY	DESCRIPTION
-	71377420	-	TRANS. ASY (W/O BRAKES. W/BUILT-IN MOTOR ADAPTER)(SERVICE W/ 71406300)
-	71398354	-	TRANS. ASY (W/O BRAKES)(EFF S/N HM36101 MID-YEAR)(SERVICE W/ 71406300)
-	71406300	-	TRANS. ASY (W/O BRAKES)(EFF S/N HP36101)
	7701659	2	CAPSCREW, 5/8-11 X 2-1/2 GR5
	7701683	2	CAPSCREW, 5/8-11 X 3 GR5
	70924272	4	WASHER, .656 X 1 X 12 GA.
1	70225441	2	PLUG, OIL LEVEL
	70226012	2	GASKET
2	71183535	1	RETAINER, FILTER
	7884570	1	CAPSCREW, M12-1.75 X 20
	339369X1	1	LOCKWASHER, M12
3	71183746	1	MANIFOLD, LUBE SCREEN
4	70925919	1	O-RING, VITON, .139 X 1.484 ID, 75 DUR.
5	71183828	1	MAGNET, PARTICAL
6	71183747	1	SCREEN ASY.
7	846337	1	CONNECTOR, STR, 3/4-16 JIC X ORB
	70921349	1	O-RING, .087 X .644 ID
8	71183750	1	TUBE ASY., FILTER TO PUMP
9	70935781	1	ELBOW, 90 DEG, 3/4-16 JIC X ORB
	70921349	1	O-RING, .087 X .644 ID
10	70901651	1	PLUG, PIPE
11	71184147	1	HOUSING, PUMP
12	70924186	1	O-RING, 75 DURO, .070 X 2.61 ID, UDN -38
13	71335782	1	GEROTOR, INNER & OUTER
14	Y730804	2	PIN, DOWEL, 1/4 X 1/2
15	71184148	1	COVER, REAR
16	70930911	1	O-RING, 75 DURO .103 X 2.30 ID, UDN -141
17	1026105M1	2	RING, RETAINING
18	71335783	1	SHAFT ASY. DRIVE
19	71184145	1	KEY
20	71335784	1	PIN
21	70922523	1	ELBOW, 90 DEG, 9/16-18 ORB X JIC
	70921885	1	O-RING, .078 X .468 ID
22	71377419	1	TUBE ASY., PUMP TO SHAFT
23	70919062	1	CONNECTOR, 9/16-18 JIC X 1/4 NPT
24	71406298	1	PUMP ASY.
	700721684	2	CAPSCREW, SPL HD, M10-1.50 X 45
25	71377709	1	HOUSING, TRANS.
26	71377531	1	COVER, TRANS.
	70950052	12	CAPSCREW, FULL THD, M12-1.75 X 30
27	71389818	1	SENSOR, GND SPEED
28	70923690	1	ELBOW, STREET 1/8 NPT
29	7751605	1	VENT, BREATHER
30	71342217	1	PIN, SWITCH
31	71385907	1	WIRE, START SWITCH
32	71392870	1	MOTOR, FIXED
	701235	4	CAPSCREW, 1/2-13 X 1-1/2 GR5
	70923858	4	WASHER, .53 X 1.25 X .180
33	71390855	1	COUPLER, MOTOR TO INPUT
	7773856	1	CAPSCREW, 1/4-20 X 2-3/4 GR5
	31752	1	LOCKNUT, 1/4-20
34	71342216	1	SWITCH, START
35	71393718	1	SENSOR, HYDRO MOTOR TEMPERATURE
	70936326	1	O-RING, .072 X .414 ID, VITON

GC00372
PR: 420

TRANSMISSION, GEAR
INPUT SHAFT & GEARS



**9790 COMBINE
TRANSMISSION & AXLES**

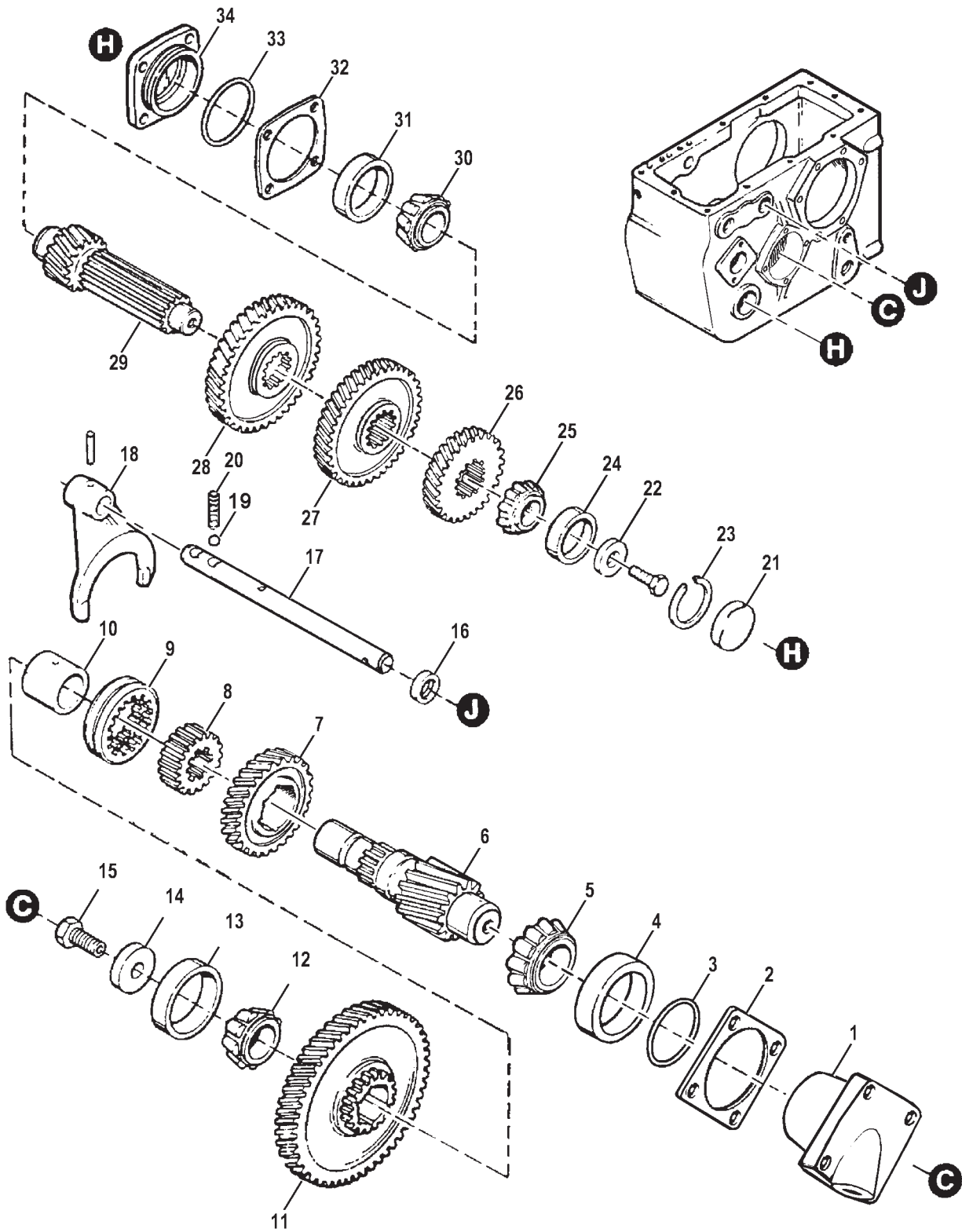
677

**TRANSMISSION, GEAR
INPUT SHAFT & GEARS**

ITEM	NUMBER	QTY	DESCRIPTION
1	70930911	1	O-RING, 75 DURO .103 X 2.30, UDN -141
2	71184144	1	SNAP RING
3	71184133	AR	SNAP RING, .071 THICK
	71302467	AR	SNAP RING, .072 THICK
	71302468	AR	SNAP RING, .073 THICK
	71184134	AR	SNAP RING, .074 THICK
	71302469	AR	SNAP RING, .075 THICK
	71302470	AR	SNAP RING, .076 THICK
	71184135	AR	SNAP RING, .077 THICK
	71302471	AR	SNAP RING, .078 THICK
4	834581M1	1	CUP, BEARING
5	834580M1	1	CONE, BEARING
6	71377408	1	GEAR, DRIVE, 39 T
7	71183839	1	RING, RETAINING
8	71160040	1	COLLAR
9	71195328	1	COUPLING
10	71377407	1	GEAR, DRIVE, 27 T
11	71399521	1	SHAFT, INPUT
12	74254700	1	CONE, BEARING
13	74254699	1	CUP, BEARING
14	71186745	AR	SHIM, .002 THICK
	71186746	AR	SHIM, .003 THICK
	71175961	AR	SHIM, .005 THICK
	71175962	AR	SHIM, .007 THICK
	71175963	AR	SHIM, .010 THICK
15	70923816	1	O-RING, 75 DURO .139 X 3.234, UDN -236
16	71190292	1	CARRIER, BEARING
	700708349	4	CAPSCREW, M10-1.5 X 25 C8.8
17	71162565	1	SEAL, OIL
18	71160303	1	SEAL, OIL
19	71377548	1	RAIL, SHIFT, 1,2,3 & 4
20	71300509	1	FORK, 1,2,3 & 4
	70923404	1	PIN, COILED SPRING, 5/16 X 1-1/2
21	70917579	1	BALL .4375 DIA
22	71160067	1	SPRING, DETENT
23	71377710	1	HOUSING, MOTOR ADAPTER
	70926551	3	PIN, DOWEL, 1/2 X 1
	70950052	10	CAPSCREW, M12-1.75 X 30 C8.8
-	79021676	AR	LOCTITE, PRIMER N (6 OZ)
-	79021669	AR	LOCTITE, THREADLOCKER (10 ML)

GC00373
PR: 422

TRANSMISSION, GEAR
INTERMEDIATE & MAIN SHAFT



**9790 COMBINE
TRANSMISSION & AXLES**

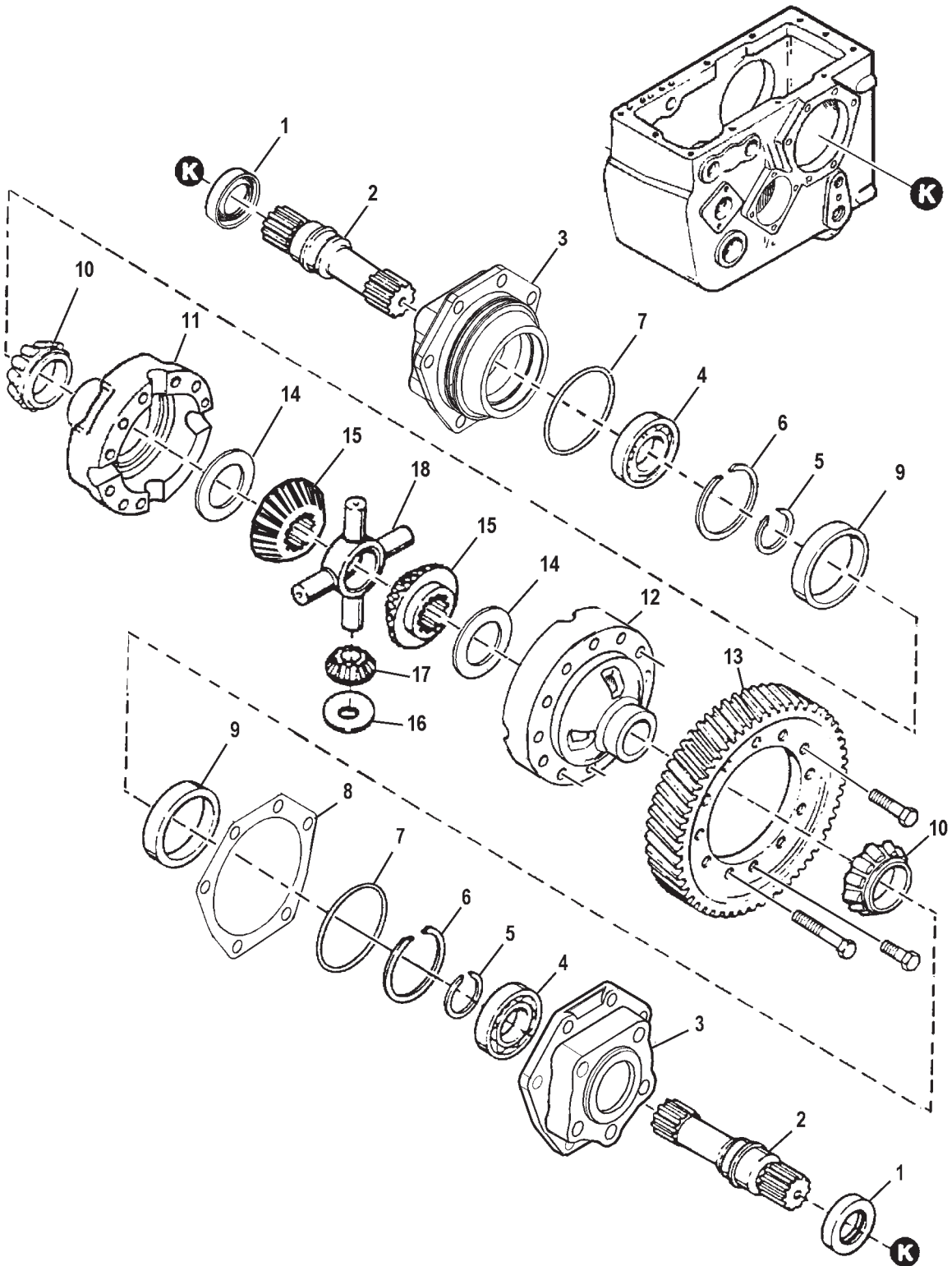
679

**TRANSMISSION, GEAR
INTERMEDIATE & MAIN SHAFT**

ITEM	NUMBER	QTY	DESCRIPTION
1	71377415	1	CARRIER, BEARING, MAIN SHAFT
	70950052	4	CAPSCREW, M12-1.75 X 30 C8.8
2	71377712	AR	SHIM, MAIN SHAFT .002
	71377713	AR	SHIM, MAIN SHAFT .003
	71377714	AR	SHIM, MAIN SHAFT .005
	71377715	AR	SHIM, MAIN SHAFT .007
	71377716	AR	SHIM, MAIN SHAFT .010
3	70923818	1	O-RING, 75 DURO .139 X 3.98, UDN -242
4	71377722	1	CUP, BEARING
5	71377723	1	CONE, BEARING
6	71377418	1	SHAFT, MAIN
7	71377416	1	GEAR, DRIVEN 40T
8	71160040	1	COLLAR
9	71195328	1	COUPLING
10	71377711	1	BUSHING, GEAR
11	71377417	1	GEAR, DRIVEN 62T
12	71377535	1	CONE, BEARING
13	71377534	1	CUP, BEARING
14	71177386	1	WASHER, MAINSHAFT
15	7772312	1	CAPSCREW, M16-2.0 X 40 C8.8
16	71160303	1	SEAL, OIL
17	71377549	1	RAIL, SHIFT, HI, LO RANGE
18	71300507	1	FORK, HI, LO RANGE
	70923404	1	PIN, COILED SPRING, 5/16 X 1-1/2
19	70917579	1	BALL .4375 DIA
20	71160067	1	SPRING, DETENT
21	71317628	1	PLUG
22	71177385	1	WASHER
	70950052	1	CAPSCREW, M12-1.75 X 30 C8.8
23	71184144	1	RING, SNAP
24	834581M1	1	CUP, BEARING
25	834580M1	1	CONE, BEARING
26	71377411	1	GEAR, DRIVEN 32T
27	71377412	1	GEAR, DRIVE 42T
28	71377413	1	GEAR, DRIVEN 45T
29	71377414	1	COUNTERSHAFT W/ GEAR 20T
30	70228509	1	CONE, BEARING
31	712208	1	CUP, BEARING
32	71186745	AR	SHIM, .002 THICK
	71186746	AR	SHIM, .003 THICK
	71175961	AR	SHIM, .005 THICK
	71175962	AR	SHIM, .007 THICK
	71175963	AR	SHIM, .010 THICK
33	70923816	1	O-RING, 75 DURO .139 X 3.234, UDN -236
34	71377410	1	CARRIER, BEARING
	700708349	4	CAPSCREW, M10-1.50 X 25 C8.8
-	79021676	AR	LOCTITE, PRIMER N (6 OZ)
-	79021669	AR	LOCTITE, THREADLOCKER (10 ML)

GC00374
PR: 424

TRANSMISSION, GEAR
DIFFERENTIAL



**9790 COMBINE
TRANSMISSION & AXLES**

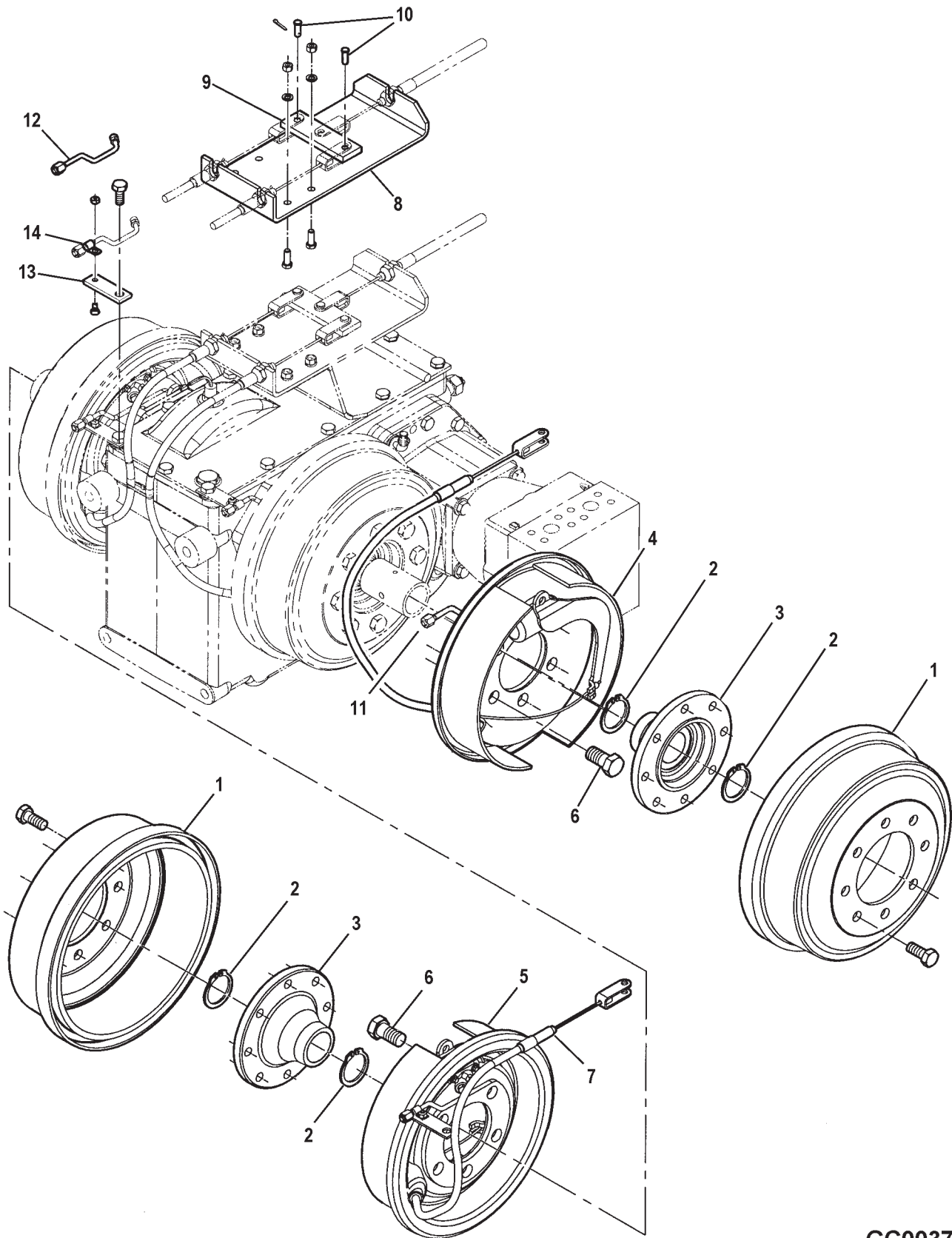
681

**TRANSMISSION, GEAR
DIFFERENTIAL**

ITEM	NUMBER	QTY	DESCRIPTION
1	71359538	2	SEAL, OIL
2	71390887	2	SHAFT, DIFF OUTPUT
3	71390888	2	CARRIER, BEARING
	7772312	12	CAPSCREW, M16-2 X 40 C8.8
4	1109070	2	BEARING, BALL
5	71160055	2	RING, RETAINING
6	70927321	2	RING, RETAINING
7	70923594	2	O-RING, 75 DURO .139 X 5.98, UDN -258
8	71377717	AR	SHIM, DIFF .002
	71377718	AR	SHIM, DIFF .003
	71377719	AR	SHIM, DIFF .005
	71377720	AR	SHIM, DIFF .007
	71377721	AR	SHIM, DIFF .010
9	70930426	2	CUP, BEARING
10	70930424	2	CONE, BEARING
11	71386867	1	HOUSING, DIFF, PLAIN HALF (1/2" CPSCRWS) (SERVICED W/71398356 HOUSG ASY, BOTH HALVES)(MUST USE 71398330 RING GEAR)
	71398328	1	HOUSING, DIFF, PLAIN HALF (M14 CPSCRWS) (SERVICED W/71398356 HSG ASY, BOTH HLVS)
12	71386866	1	HOUSING, DIFF, GEAR HALF (1/2" CPSCRWS) (SERVICED W/71398356 HOUSG ASY, BOTH HALVES)(MUST USE 71398330 RING GEAR)
	71398329	1	HOUSING, DIFF, GEAR HALF (M14 CPSCRWS) (SERVICED W/71398356 HSG ASY, BOTH HLVS)
13	71347780	1	GEAR, RING, 70T (PRIOR S/N HM36101, MID-YEAR)(SERVICE W/ 71398330)
	70927469	4	CAPSCREW, 1/2-13 X 2-1/4 GR8
	70923154	4	CAPSCREW, 1/2-13 X 1-1/2 GR8
	70926157	8	CAPSCREW, 1/2-13 X 3-3/4 GR8
	70928178	16	WASHER, HARD, .531 X 1.0 X .109
	71398330	1	GEAR, RING, 70T (EFF S/N HM36101, MID-YEAR)
	70950490	12	CAPSCREW, M14-2.0 X 100, CL10.9
	70950382	4	CAPSCREW, M14-2.0 X 35, CL10.9
	70926192	16	WASHER, HARD, .562 ID X 1.25 X .120
	79021676	AR	LOCTITE, PRIMER N (6 OZ)
	79021669	AR	LOCTITE, THREAD LOCKER (10 ML)
14	71160085	2	WASHER, THRUST, SIDE GEAR
15	71344598	2	GEAR, SIDE
16	71347782	4	WASHER, THRUST, PINION
17	71344597	4	PINION
18	71347777	1	SPIDER, DIFFERENTIAL
-	71398327	-	DIFFERENTIAL ASY. (INCL. ITEMS 10-18)
-	71398356	-	HOUSING ASY. (NOT ILL.)(INCL. ITEM 11, 71398328 & ITEM 12, 71398329)

GC00375
PR: 426

DRUM BRAKES
SERVICE & PARKING



**9790 COMBINE
TRANSMISSION & AXLES**

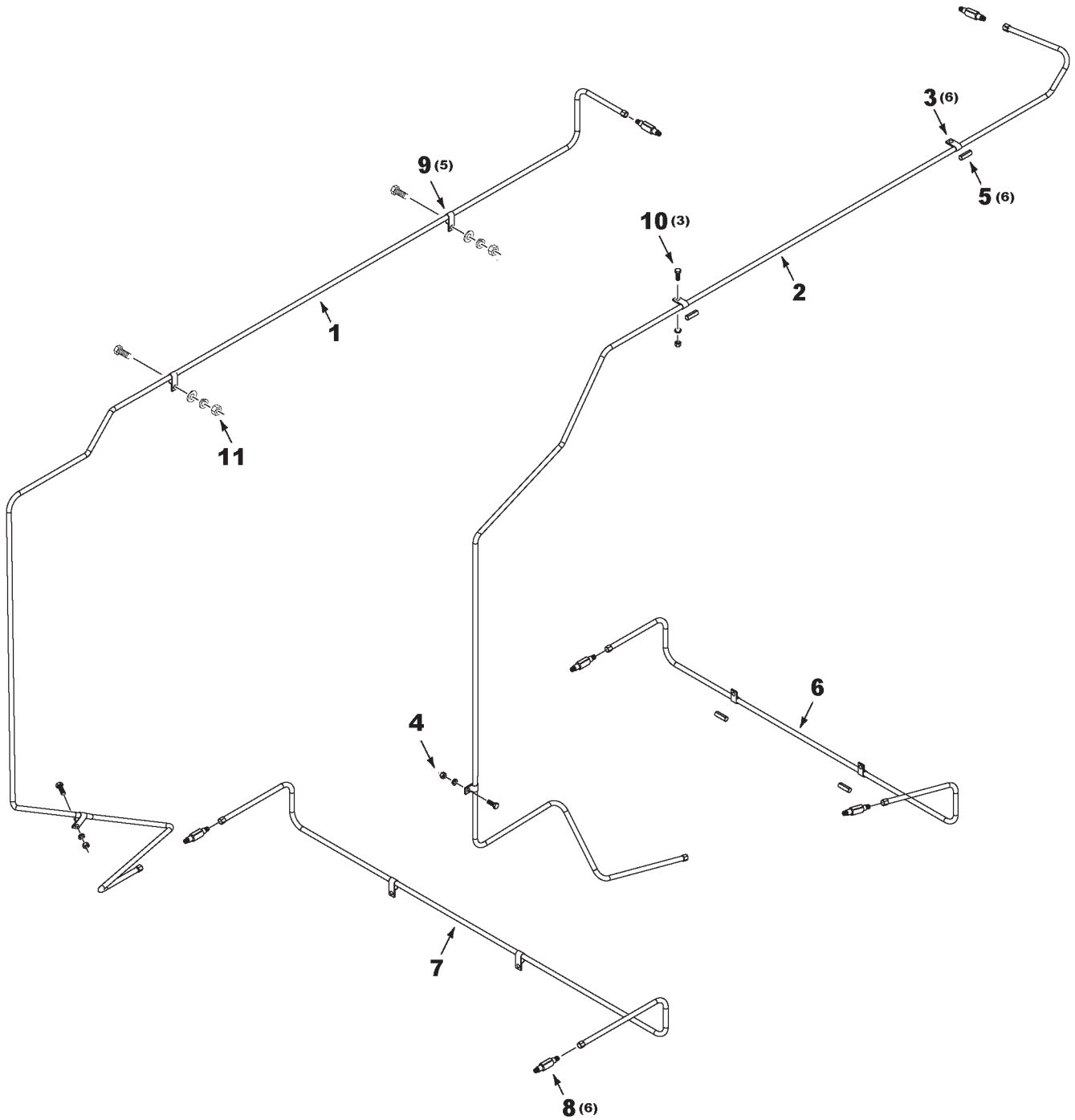
683

**DRUM BRAKES
SERVICE & PARKING**

ITEM	NUMBER	QTY	DESCRIPTION
1	71392787	2	DRUM, BRAKE
	7771785	16	CAPSCREW, 5/8-11 X 1 GR5
2	70937676	4	RING, RETAINING, INTERNAL
3	71392788	2	HUB, BRAKE DRUM
4	71389232	1	BRAKE ASY. LH (INCL COMPONENTS OF IT 5)
5	71389233	1	BRAKE ASY. RH (INCL COMPONENTS BELOW)
	71395151	1	WHEEL CYL. KIT LH
	71395160	1	WHEEL CYL. KIT RH
	71395157	4	BOLT, WHEEL CYL. MOUNTING
	71395158	2	BRAKE SHOE KIT (1 PER SIDE)
	71395159	2	BACKING PLATE WELD ASY
	71395163	4	LINK, CONNECTING, WHEEL CYL.
	71395152	2	SPRING KIT
	71395153	1	ADJUSTER KIT, LH
	71395161	1	ADJUSTER KIT, RH
	71395154	1	PARK BRAKE KIT, LH
	71395162	1	PARK BRAKE KIT, RH
	71395155	2	WASHER, SPRING
	71376446	2	NUT
6	70950394	10	CAPSCREW, M20-2.5 X 45, C10.9
	79021676	AR	LOCTITE, PRIMER N (6 OZ)
	79021669	AR	LOCTITE, THREAD LOCKER (10 ML)
7	71389230	2	CABLE ASY, PARK BRAKE
8	71389229	1	BRACKET, PARK BRAKE CABLES
	703249	4	CAPSCREW, 3/8/16 X 1 GR5
	705038	4	LOCKWASHER, 3/8
	70916950	4	NUT, REG 3/8-16
9	71389235	1	BAR, EQUALIZER
10	763300	3	PIN, CLEVIS 5/16 X 1 LG
	70918452	2	PIN, COTTER 1/8 X 1
11	71396558	1	TUBE ASY, BRAKE, LH
12	71389230	1	TUBE ASY, BRAKE, RH
13	71390867	2	STRAP, TUBE SUPPORT
	70950453	2	CAPSCREW, M12 X 1.75 X 35
	Y705624	8	WASHER, NARROW 1/2
14	70926919	2	CLAMP, 1/4 X .281 HOLE
	70921958	2	CAPSCREW, 1/4-20 X 1/2 LG GR5
	70916622	2	NUT, REG, 1/4-20

GC00376
PR: 428

DRUM BRAKES
LINES & FITTINGS



9790 COMBINE
TRANSMISSION & AXLES

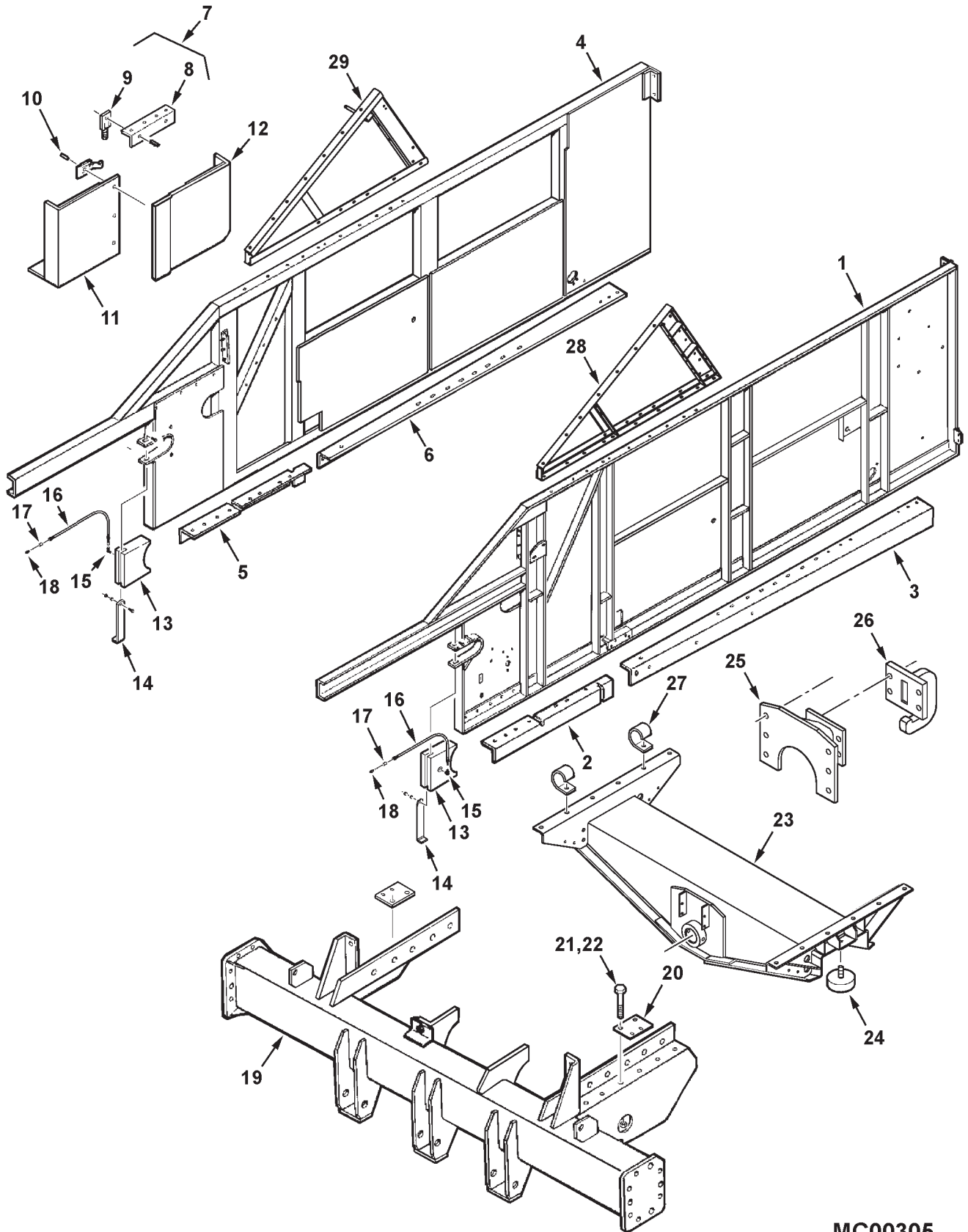
685

DRUM BRAKES
LINES & FITTINGS

ITEM	NUMBER	QTY	DESCRIPTION
1	71398223	1	TUBE ASY, UPPER LEFT BRAKE
2	71398224	1	TUBE ASY, UPPER RIGHT BRAKE
3	70925617	6	CLAMP, 1/2 X .406 HOLE
4	703249	2	CAPSCREW, 3/8-16 X 1 GR5
	705038	2	LOCKWASHER, 3/8
	70916950	2	NUT, 3/8-16 REG
5	2556880W1	6	RUBBER SLEEVE, 1/4 ID
6	71398225	1	TUBE ASY, LOWER RIGHT BRAKE
7	71389775	1	TUBE ASY, LOWER LEFT BRAKE
8	70919214	6	CONN, UNION, 1/4 JIC
9	70926919	5	CLAMP, 1/4 X .281 HOLE
10	7703457	3	CAPSCREW, 1/4-20 X 3/4 GR5
	705012	3	LOCKWASHER, 1/4
	700709601	3	WASHER, 1/4 WIDE
	704007	3	NUT, 1/4 REG
11	7703473	1	CAPSCREW, 1/4-20 X 1-1/4 GR5
	705012	1	LOCKWASHER, 1/4
	700709601	1	WASHER, 1/4 WIDE
	704007	1	NUT, 1/4 REG

MC00344
PR: 430

MAIN FRAME AND AXLE SUPPORTS



**9790 COMBINE
TRANSMISSION & AXLES**

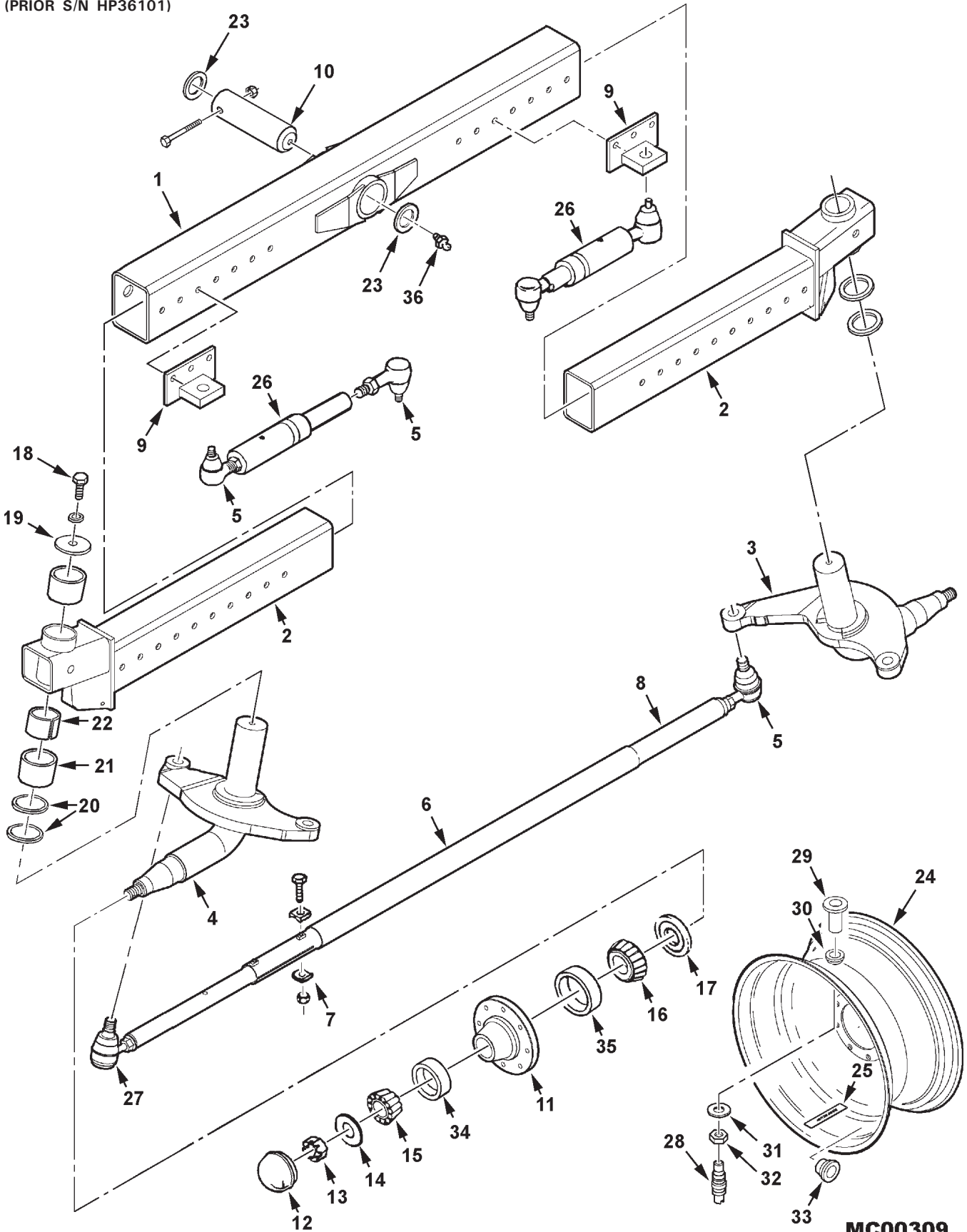
687

MAIN FRAME AND AXLE SUPPORTS

ITEM	NUMBER	QTY	DESCRIPTION
1	71390292	1	FRAME & SHEET WLMT,LH(PRIOR S/N HP36101)
	71414556	1	FRAME & SHEET WLMT,LH (EFF. S/N HP36101)
2	71409947	1	SUPPORT WLDMT, LH FRONT FRAME
3	71395585	1	ANGLE, LH FRAME SUPPORT
4	71390502	1	FRAME & SHEET WA, RH (PRIOR S/N HS36101)
	71414554	1	FRAME & SHEET WA, RH (EFF. S/N HS36101)
5	71409942	1	SUPPORT WLDMT, RH FRONT FRAME
6	71395586	1	ANGLE, RH FRAME SUPPORT
7	2580593W91	4	ANGLE ASY., ACCESS DOOR (INCL. ITEMS 8-10)
8	2580580W1	8	ANGLE, DOOR FRAME
9	70537291	16	FASTENER
10	70924837	16	RIVET
11	2631433W91	4	DOOR ASY, SIDE FRAME, W/FASTENERS(IT. 9)
	2616141W91	4	DOOR WLDMT, SIDE FRAME
12	2616131W91	4	DOOR WLDMT, SIDE FRAME
13	71395332	2	BLOCK, PIVOT FEEDER LOCK
14	2513840W1	2	PIN, PIVOT LOCK BRACKET
	703249	2	CAPSCREW, 3/8-16 X 1 GR5
	705038	2	LOCKWASHER, 3/8
	70916950	2	NUT, REG, 3/8-16 G2
15	70923690	2	ELBOW, STREET, 1/8
16	71365312	2	HOSE, GREASE
	70925097	2	CLAMP, .562 TUBE X .406 HOLE
17	70901763	2	PIPE COUPLING, 1/8 NPT FEM
18	70922887	2	FITTING, GREASE, 1/8
19	71389268	1	FRONT AXLE ASY, MACHINED (PRIOR HS36101) (SEE FRT AXLE & FNL DRVS,EFF.HS36101)
	70923111	2	CAPSCREW, 5/8-11 X 3 GR5
	7701659	2	CAPSCREW, 5/8-11 X 2-1/2 GR5
	70924272	4	WASHER, 21/32 X 1 X 12GA.
20	102038M1	2	PLATE (PRIOR S/N HS36101)
	700706419	4	CPSCR, 3/4-10 X 2 GR8(PRIOR HS36101)
	700703923	4	NUT, HEX FLANGE TOP LOCK, 3/4-10
21	70926127	16	CPSCR, 3/4-10 X 1-3/4 GR5(PRIOR HS36101)
22	700703923	16	NUT, HEX FLANGE TOP LOCK, 3/4-10
23	71389602	1	SUPPORT WLMT, RR AXLE(PRIOR S/N HP36101)
	71403895	1	SUPPORT WLMT, RR AXLE (EFF. S/N HP36101)
	70923112	12	BOLT, 5/8-11 X 1-3/4
	700703922	12	NUT, HEX FLNG. TOP LOCK, 5/8-11
	70937682	1	J-CLIP
24	71355063	2	STOP, STEERING AXLE
	Y705046	2	WASHER, LOCK, 1/2
	704031	2	NUT, 1/2-13
25	71404357	1	HITCH WLDMT (EFF. S/N HP36101)
	70921360	6	CAPSCREW, 5/8-11 X 2-1/4 GR5
26	71404359	1	HOOK WLDMT (EFF. S/N HP36101)
	70921360	4	CAPSCREW, 5/8-11 X 2-1/4 GR5
	700703922	4	NUT, HEX FLNG. TOP LOCK, 5/8-11
27	70937682	2	J-CLIP, 3/4 DIA X .656 HOLE
28	71390179	1	FRAME WLMT, LH BIN SUPPORT
	70920415	6	CAPSCREW, 3/8-16 X 1-1/4 GR5
	70921965	6	CAPSCREW, 3/8-16 X 3/4 GR5
	70917378	11	WASHER, WIDE, 3/8
	Y704734	12	NUT, HEX FLANGE TOP LOCK, 3/8-16
29	71393236	1	FRAME WLMT, RH BIN SUPPORT
	70920415	10	CAPSCREW, 3/8-16 X 1-1/4 GR5
	70921965	6	CAPSCREW, 3/8-16 X 3/4 GR5
	70917378	15	WASHER, WIDE, 3/8
	Y704734	16	NUT, HEX FLANGE TOP LOCK, 3/8-16

MC00305
PR: 432

REAR AXLE & WHEELS
ADJUSTABLE TREAD
(PRIOR S/N HP36101)



**9790 COMBINE
TRANSMISSION & AXLES**

689

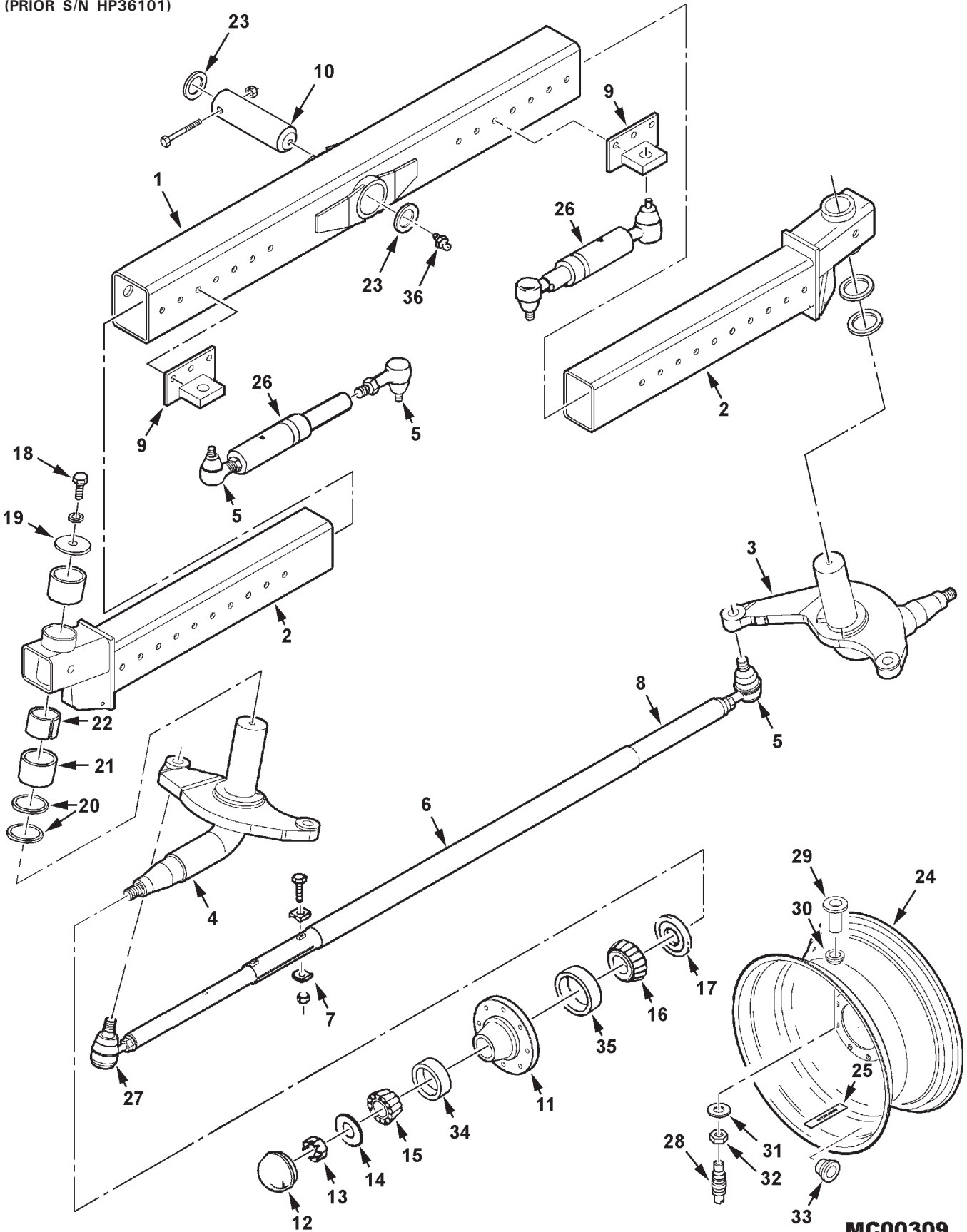
**REAR AXLE & WHEELS
ADJUSTABLE TREAD
(PRIOR S/N HP36101)**

ITEM	NUMBER	QTY	DESCRIPTION
1	71389394	1	AXLE ASY, CENTER SECTION, W/BUSHINGS (PRIOR S/N HP36101)
	2441250W1	2	BUSHING
2	71389381	2	EXTENSION ASY., ADJUSTABLE AXLE (INCL. ITEMS 21 & 22)
	13811X	2	LUBE FTG, STR, 1/4-28 TAPER THD
	70922890	4	CAPSCREW, 3/4-10 X 7 GR5
	71359841	4	SPACER, BOLT
	7774466	4	NUT, HEX FLNG SERR LOCK, 3/4-10
3	71389386	1	SPINDLE ASY., RH
4	71389385	1	SPINDLE ASY., LH
5	71307626	5	SOCKET ASY, RH W/RH THREADS (INCL. SLOTTED NUT, BOOT & LUBE FTG)
	71403681	5	BOOT, RUBBER
	70925731	2	LUBE FTG, 45 DEG, 1/4-28 TAPER
	13811X	3	LUBE FTG, STR, 1/4-28 TAPER THD
	70921295	5	NUT, SLOTTED HEX, 7/8-14UNF
	70925719	5	PIN, COTTER, 1/8 X 2
	70923356	5	NUT, JAM, 1-1/8-12UNF
6	71389356	1	TIE ROD ASY, ADJUSTABLE
7	6661624	4	WASHER, CLAMP
	70929019	2	CAPSCREW, 3/8-16 X 3
	7704141	2	NUT, TOP LOCK, 3/8-16
8	71359772	1	ROD, ADJUSTABLE
9	71389362	2	ANCHOR ASY.
	70936419	6	CAP, 3/4-10 X 7-1/2 GR 5
	71359841	6	SPACER, BOLT
	7774466	6	NUT, HEX FLNG SERR LOCK, 3/4-10
10	2625050W1	1	PIN, REAR AXLE PIVOT
	70920272	1	CAPSCREW, 1/2-13 X 5 GR5
	704858	1	NUT, HEX TOP LOCK, 1/2-13
11	71338308	2	HUB ASY. (INCL. ITEMS 34 & 35)
	70927529	16	CAPSCREW, 5/8-18 X 1-3/4 GR5
	70937005	16	WASHER, HARD, .66 X 1.31 X .095
12	26674	2	CAP, HUB
13	704692	2	NUT, SLOTTED, 1-14 GR2
	70922002	2	PIN, COTTER, 3/16 X 2
14	70936306	2	WASHER, HARD, 1.062 X 2.25 X .25
15	850182M1	2	CONE, BEARING, OUTER
16	71334989	2	CONE, BEARING, INNER
17	71334988	2	SEAL

CONTINUED

MCO0309
PR: 434

REAR AXLE & WHEELS
ADJUSTABLE TREAD
(PRIOR S/N HP36101)



**9790 COMBINE
TRANSMISSION & AXLES**

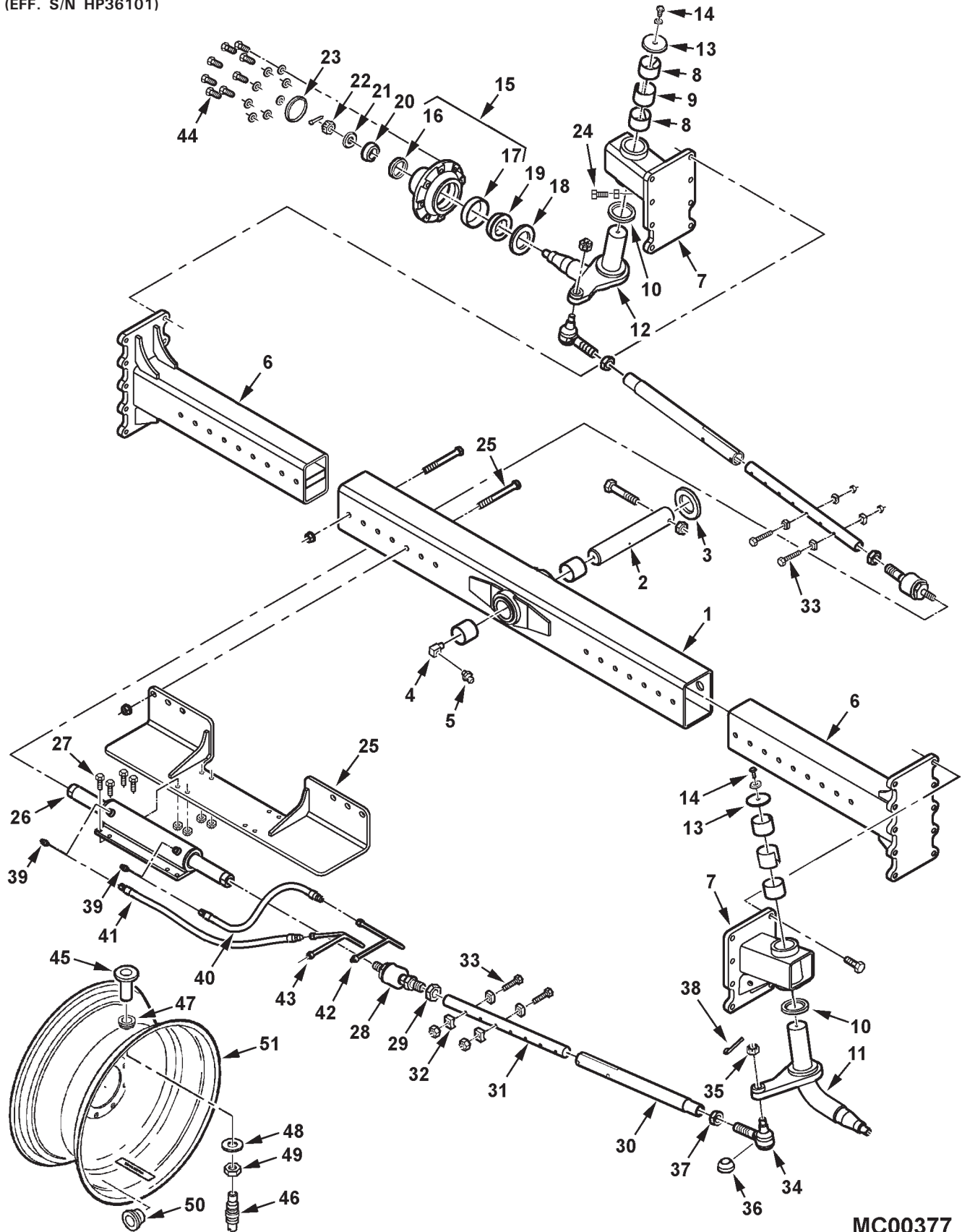
691

**REAR AXLE & WHEELS
ADJUSTABLE TREAD
(PRIOR S/N HP36101)**

ITEM	NUMBER	QTY	DESCRIPTION
18	70923114	2	CAPSCREW, 1/2-13 X 1 GR5
	Y705046	2	WASHER, LOCK, 1/2
19	71338789	2	WASHER
20	71334986	4	WASHER, THRUST
21	71354306	4	BUSHING
22	71338799	2	SPACER
23	2441340W1	2	WASHER, THRUST
24	71372132	2	WHEEL RIM, 14.9 X 24 TIRE
	71372133	2	WHEEL RIM, 16.9 X 24 TIRE
	71399115	2	WHEEL RIM, 16.9 X 26 TIRE
25	71338651	2	DECAL, 150 FT LB TORQUE
26	71365245	2	CLYINDER ASY., STEERING
27	71359545	1	SOCKET ASY, W/LH THREADS (INCL. SLOTTED NUT, BOOT & LUBE FTG)
	71403681	1	BOOT, RUBBER
	13811X	1	LUBE FTG, STR, 1/4-28 TAPER THD
	70921295	1	NUT, SLOTTED NUT, 7/8-14UNF
	70925719	1	PIN, COTTER, 1/8 X 2
	70937534	1	NUT, JAM, 1-1/8-12UNF LH
28	71170388	2	VALVE HOUSING & CORE ASY, W/ CAP
29	7027469	2	VALVE ASY, CLAMP-IN (COMPLETE)(INCL
30	71170390	2	GROMMET, TUBELESS TIRE
31	71175919	2	WASHER, TUBELESS TIRE
32	71175918	2	NUT, TUBELESS TIRE
33	539651M1	2	PLUG, RIM HOLE, TUBELESS TIRE
34	850181M1	1	CUP, BEARING, OUTER
35	195160M1	1	CUP, BEARING, INNER
36	13887X	1	LUBE FITTING, STR, 1/4-18 PTF

MCO0309
PR: 434

REAR AXLE & WHEELS
ADJUSTABLE TREAD
(EFF. S/N HP36101)



**9790 COMBINE
TRANSMISSION & AXLES**

693

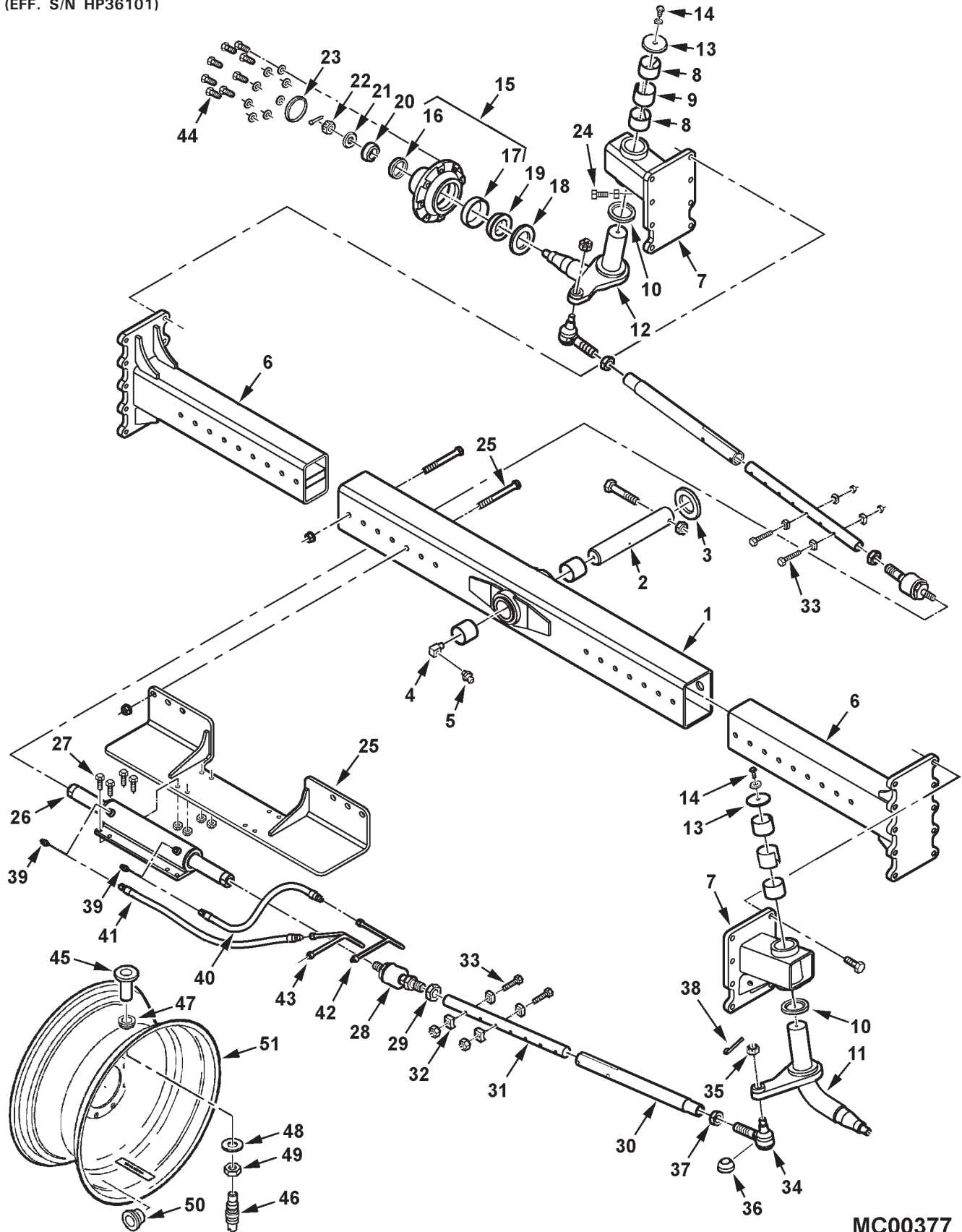
**REAR AXLE & WHEELS
ADJUSTABLE TREAD
(EFF. S/N HP36101)**

ITEM	NUMBER	QTY	DESCRIPTION
1	71412150	1	AXLE ASY, CENTER SECTION, W/BUSHINGS
	2441250W1	2	BUSHING, PIVOT
2	2625050W1	1	PIN, REAR AXLE PIVOT
	70920272	1	CAPSCREW, 1/2-13 X 5 GR5
	704858	1	NUT, HEX TOP LOCK, 1/2-13
3	2441340W1	2	WASHER, THRUST
4	70925863	2	ELBOW,90 DEG, 1/4 NPTF X 1/4-18 NPTF FEM
5	13887X	1	LUBE FITTING, STR, 1/4-18 PTF
6	71400705B	2	EXTENSION WLDMT, ADJUSTABLE AXLE
	70922890	8	CAPSCREW, 3/4-10 X 7 GR5
	71359841	8	SPACER, HARD
	7774466	8	NUT, HEX FLNG SERR LOCK, 3/4-10
7	71400701B	2	HOUSING WLDMT, SPINDLE, W/BUSHINGS
	13811X	2	LUBE FTG, STR, 1/4-28 TAPER THD
	70925872	16	CAPSCREW, 3/4-10 X 2-1/4 GR5
8	71354306	4	BUSHING, SPINDLE
9	71338799	2	SPACER, BUSHING
10	71334986	4	WASHER, THRUST
11	71400698	1	SPINDLE, WLDMT, LEFT
12	71400693	1	SPINDLE, WLDMT, RIGHT
13	71338789	2	WASHER, .531 ID X 3.4 X .229 TH.
14	70923114	2	CAPSCREW, 1/2-13 X 1 GR5
	Y705046	2	LOCKWASHER, 1/2
15	71338308	2	HUB ASY. (INCL. ITEMS 16 & 17)
16	850181M1	1	CUP, BEARING, OUTER
17	195160M1	1	CUP, BEARING, INNER
18	71334988	2	SEAL, HUB
19	71334989	2	CONE, BEARING, INNER
20	850182M1	2	CONE, BEARING, OUTER
21	70936306	2	WASHER, HARD, 1.062 X 2.25 X .25 TH
22	704692	2	NUT, SLOTTED, 1-14 UNF GR2
	70922002	2	PIN, COTTER, 3/16 X 2
23	26674	2	CAP, HUB
24	70926127	2	CAPSCREW, 3/4-10 X 1-3/4 GR5
	70913160	2	NUT, 3/4-10 REG

CONTINUED

MC00377
PR: t05b08m42d0023

REAR AXLE & WHEELS
ADJUSTABLE TREAD
(EFF. S/N HP36101)



**9790 COMBINE
TRANSMISSION & AXLES**

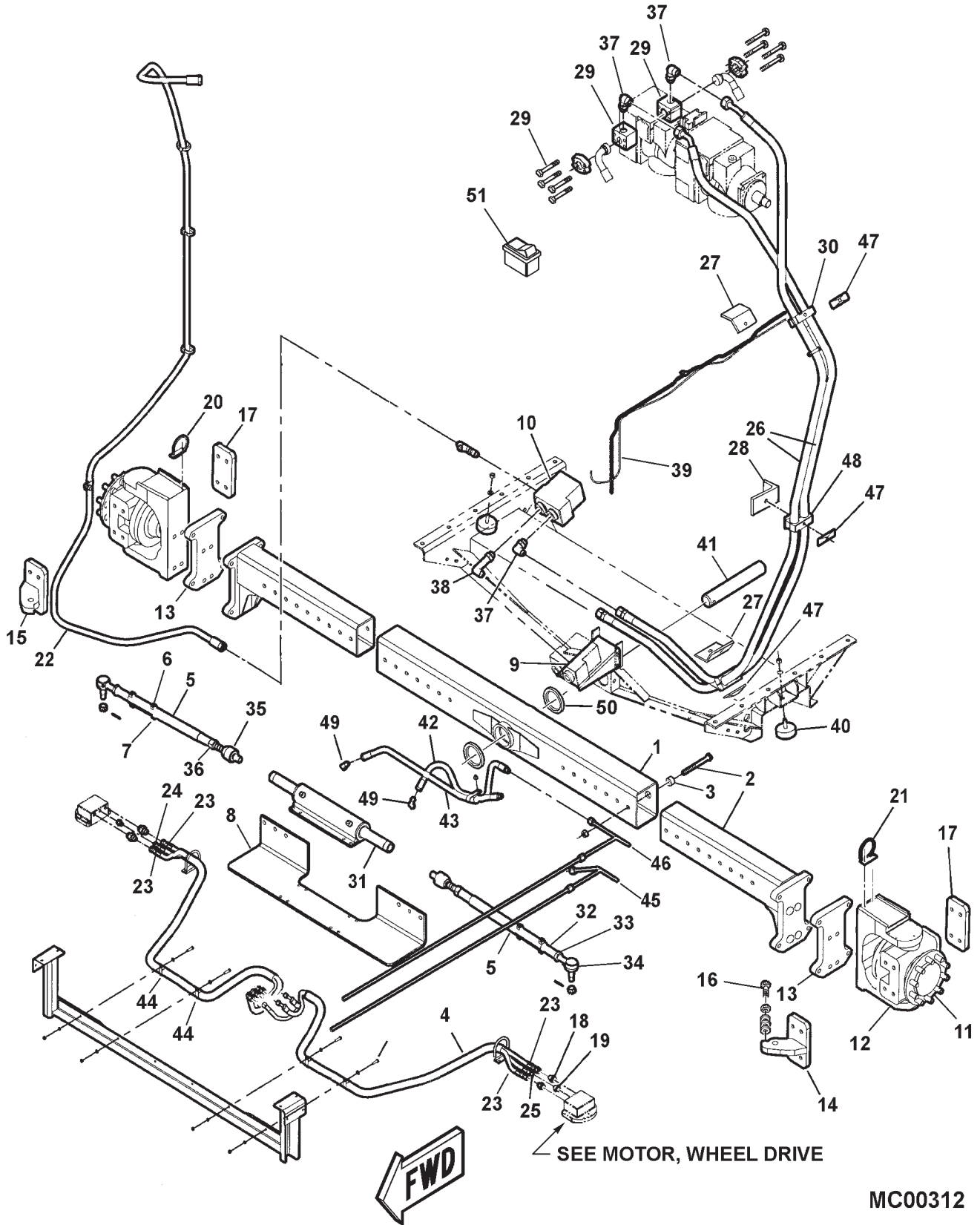
695

**REAR AXLE & WHEELS
ADJUSTABLE TREAD
(EFF. S/N HP36101)**

ITEM	NUMBER	QTY	DESCRIPTION
25	71400716B	1	SUPPORT WLDMT, CYLINDER
	70936419	6	CAPSCREW, 3/4-10 X 7-1/2 GR5
	7774466	6	NUT, HEX FLNG SERR LOCK, 3/4-10
26	71400719	1	CYLINDER ASY, STEERING (SEE BREAKDOWN) (SERVICE ASY W/ 71406366)
	71406366	1	CYLINDER ASY, STEERING (SEE BREAKDOWN) (EFF. S/N HR36101 MID-PROD'N RUN)
27	70919089	8	CAPSCREW, 1/2-13 X 1-3/4 GR5
	Y704742	8	NUT, HEX FLANGE TOP LOCK, 1/2-13
28	71403691	2	BALL JOINT, IN-LINE (INCLUDES BOOT)
	71406302	AR	BOOT KIT, BALL JOINT
29	70923230	2	NUT, HEX JAM, 1-1/4-12 UNF
30	71400711	2	TUBE WLDMT, ADJUSTABLE TIE ROD
31	71400710B	2	ROD, ADJUSTABLE TIE
32	6661624	8	WASHER, CLAMP, .390 HOLE
33	70922918	4	CAPSCREW, 3/8-16 X 3-1/4 GR5
	7704141	4	NUT, HEX TOP LOCK, 3/8-16
34	71403690	2	SOCKET ASY, LH THREAD (INCL. IT 35 & 36)
35	70921295	2	NUT, SLOTTED HEX, 7/8-14 UNF
36	71406301	2	SEAL, DIRT
37	70930889	2	NUT, HEX JAM, 1-1/4-12 UNF, LH THD.
38	70925721	2	COTTER PIN, 5/32 X 2
39	70922523	2	ELBOW, 90 DEG, 9/16-18 JIC X ORB MALE
	70921885	2	O-RING, .078 X .468 ID
40	71395172	1	HOSE ASY, STRG CYL.
41	71395173	1	HOSE ASY, STRG CYL.
42	71398228	1	TUBE ASY, STEERING, UPPER
43	71395789	1	TUBE ASY, STEERING, LOWER
44	353613X1	16	CAPSCREW, 5/8-18 X 1-3/4 GR5
	70937005	16	WASHER, HARD, .656 X 1.31 X .095 TH
45	7027469	2	VALVE ASY, CLAMP-IN (TUBELESS)(COMPLETE) (INCL. ITEMS 46, 47, 48, 49)
46	71170388	2	VALVE HOUSING & CORE ASY, W/ CAP
47	71170390	2	GROMMET, TUBELESS TIRE
48	71175919	2	WASHER, TUBELESS TIRE
49	71175918	2	NUT, TUBELESS TIRE
50	539651M1	2	PLUG, RIM HOLE, TUBELESS TIRE
51	71372132	2	WHEEL RIM, 14.9 X 24 TIRE
	71372133	2	WHEEL RIM, 16.9 X 24 TIRE
	71399115	2	WHEEL RIM, 16.9 X 26 TIRE

MCO0377
PR: t05b08m42d0023

REAR AXLE & WHEELS
REAR WHEEL ASSIST



**9790 COMBINE
TRANSMISSION & AXLES**

697

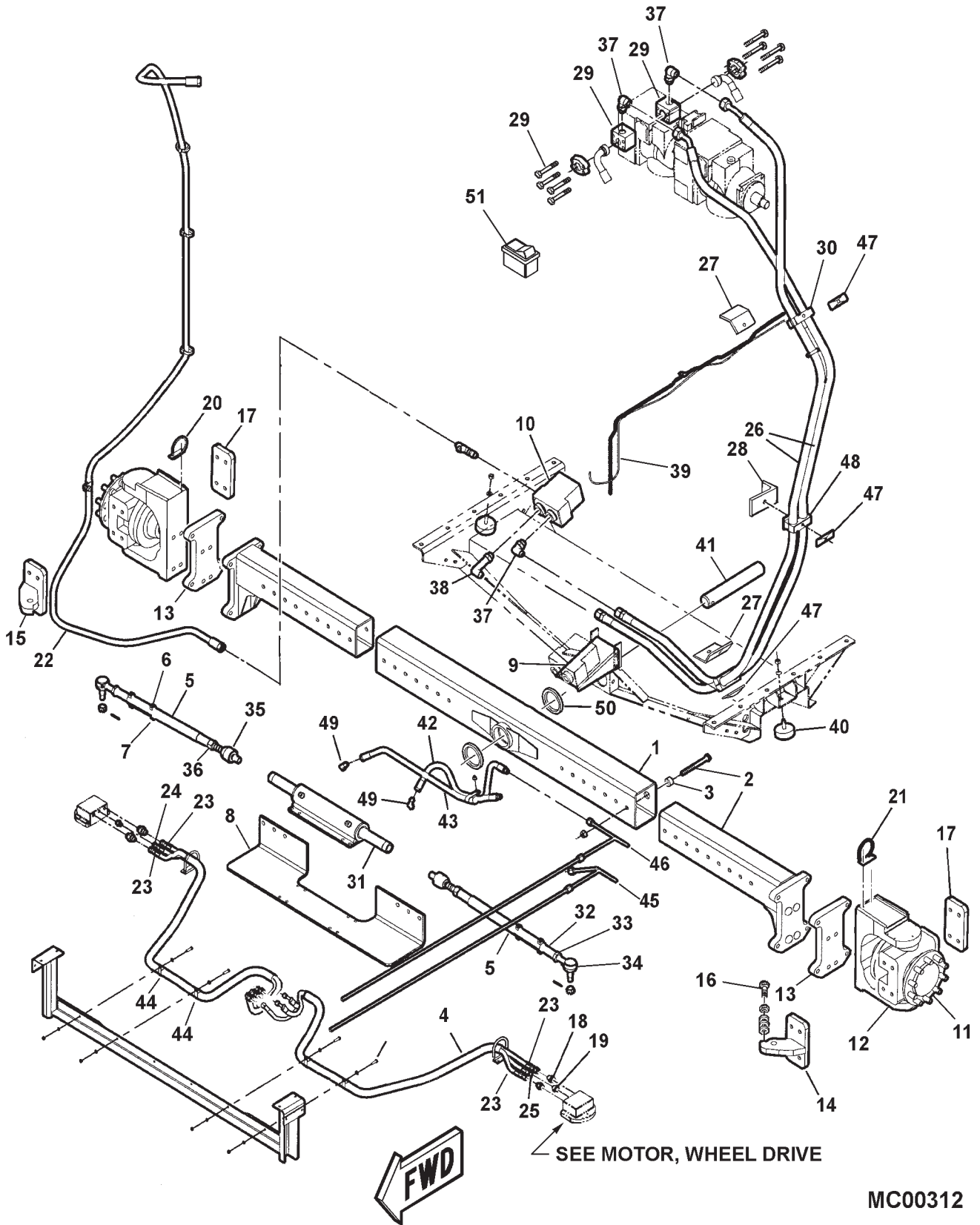
**REAR AXLE & WHEELS
REAR WHEEL ASSIST**

ITEM	NUMBER	QTY	DESCRIPTION
1	71389394	1	CENTER BEAM ASY, W/ BUSHING
	2441250W1	2	BUSHING
2	71397196	2	EXTENSION ASY.
	100801	8	CAPSCREW, 3/4-10 X 7 GR 8
	70927879	6	CAPSCREW, 3/4-10 X 7-1/2 GR 8
	71397179	14	NUT, HEX FLNG SERR LOCK, 3/4-10
3	112253W1	8	SPACER SLEEVE, HARDENED
4	71397181	2	SLEEVE, CORDURA-PROTECTIVE
5	71397199	2	TIE ROD WLDMT, OUTER
	70924746	4	CAPSCREW, 1/2-13 X 3-1/2 GR8
	71397205	4	NUT, LOCK, 1/2-13
6	71359864	4	CLAMP HALF, TIE ROD
7	71359865	4	SPACER, TIE ROD BOLT, 7/8 OD X .53 ID
8	71397198	1	MOUNT WLDMT, CYLINDER
9	71397204	1	BRACKET, VALVE
	703249	4	CAPSCREW, 3/8-16 X 1 GR5
	Y704734	4	NUT, HEX FLNG. TOP LOCK 3/8-16
10	71396625	1	VALVE ASY.
	70923470	2	CAPSCREW, 3/8-16 X 1-1/2 GR8
	705038	2	LOCKWASHER, 3/8 REG
11	71396580	2	MOTOR, WHEEL DRIVE, 1250CC (SEE WHEEL MOTOR UNIT FOR BREAKDOWN)
12	71397193	2	C-FRAME
	70950420	16	CAPSCREW, M20-2.5 X 80
	70934704	16	WASHER, 3/4 HARD
	71397186	8	DOWEL PIN
13	71397197	2	ENDPLATE
14	71397202	1	EAR WLDMT, TIE ROD (LH)
	71397187	4	CAPSCREW, M20-2.5 X 40, CL 10.9
	70934704	4	WASHER, 3/4 HARD
	71397186	2	DOWEL PIN
15	71397203	1	EAR WLDMT, TIE ROD (RH)
	71397187	4	CAPSCREW, M20-2.5 X 40, CL 10.9
	70934704	4	WASHER, 3/4 HARD
	71397186	2	DOWEL PIN
16	7771629	2	CAPSCREW, 5/8-11 X 2 GR8
	71397180	12	WASHER, HEAVY FLAT, 5/8
	364377X1	2	NUT, JAM 5/8-11 GR5
17	71397185	2	PLATE, MOUNT
	71397187	8	CAPSCREW, M20-2.5 X 40, CL 10.9
	70934704	8	WASHER, 3/4 HARD

CONTINUED

MCO0312
PR: 438

REAR AXLE & WHEELS
REAR WHEEL ASSIST



**9790 COMBINE
TRANSMISSION & AXLES**

699

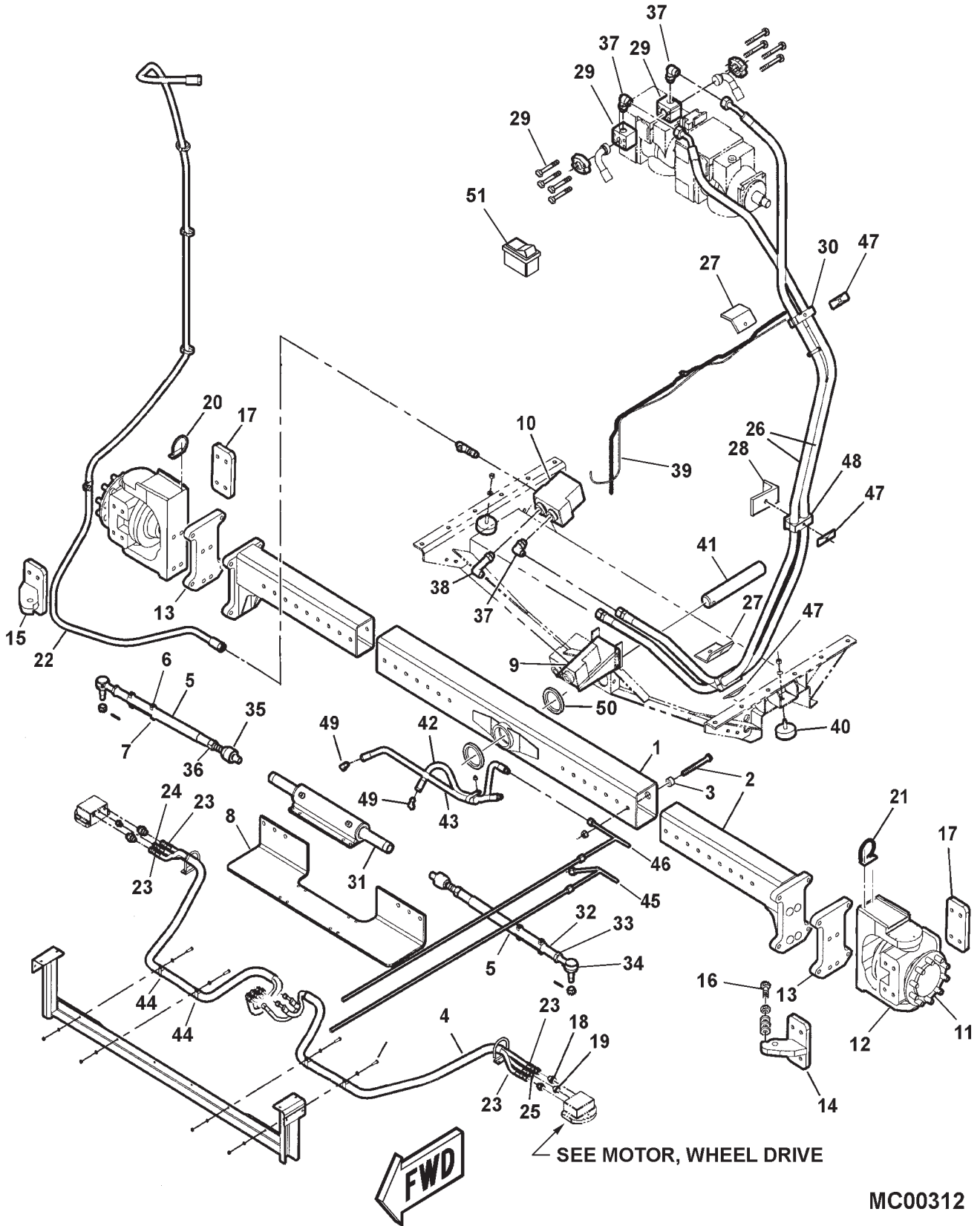
**REAR AXLE & WHEELS
REAR WHEEL ASSIST**

ITEM	NUMBER	QTY	DESCRIPTION
18	70924296	4	ADAPTER, 1-1/16-12 ORB X 3/4-16 JIC
	70921206	1	O-RING, .116 X .924 ID
19	360202X91	2	ADAPTER, 3/4-16 ORB X 9/16-18 JIC
	70921349	1	O-RING, .087 X .644 ID
20	71397190	1	GUIDE, HOSE (RH)
21	71397191	1	GUIDE, HOSE (LH)
	71396601	4	CAPSCREW, SOCKET HD, M10-1.5 X 25
22	71395787	1	HOSE ASY., RWA TO RESERVIOR, 180" LONG
	3619622M1	5	TIE, SELF LOCKING
	70925621	1	CLAMP, 1.0 TUBE X .406 HOLE
	703249	1	CAPSCREW, 3/8-16 X 1 GR5
	705038	1	LOCKWASHER, 3/8
	70916950	1	NUT, REG 3/8-16
23	1077183M91	4	HOSE ASY. (HI-PRESSURE) (O.L. 69")
24	112283W1	1	HOSE ASY., DRAIN (O.L. 71") (RH)
25	71397189	1	HOSE ASY., DRAIN (O.L. 67") (LH)
26	71395781	2	HOSE ASY, PUMP PRESSURE (O.L. 140")
27	101843M1	2	BRACKET, STEERING HOSE
	703249	2	CAPSCREW, 3/8-16 X 1 GR5
	705038	2	LOCKWASHER, 3/8
	70916950	2	NUT, REG 3/8-16
28	71384284	1	BRACKET, CLAMP
	703249	1	CAPSCREW, 3/8-16 X 1 GR5
	705038	1	LOCKWASHER, 3/8
	70916950	1	NUT, REG 3/8-16
29	71395167	2	ADAPTOR, MANIFOLD BLOCK
	70926533	2	O-RING .139 X 1.296 ID, VITON
	773697	8	CAPSCREW, 7/16-14 X 4
30	102028M1	2	CLAMP, DOUBLE, 1-1/4 DIA
31	71396617	1	CYLINDER ASY, STEERING (SEE BREAKDOWN)
	70921898	8	CAPSCREW, 1/2-13 X 2 GR8
	Y705624	8	WASHER, 1/2 NARROW
	Y704742	8	NUT, HEX FLNG TOP LOCK, 1/2-13
32	71397201	2	TUBE, INNER TIE ROD
33	71397184	2	NUT, JAM 1-1/4-12 LH
34	71397195	2	END, TIE ROD LH
	-----	2	NUT, SLOTTED HEX
	70925719	2	PIN, COTTER, 1/8 X 2
35	71397192	2	SOCKET, INLINE
36	71397194	2	NUT, JAM M30-1.5
37	71355395	3	ELBOW, 90 DEG. -12 ORB X -12 ORFS
	70923843	3	O-RING, .070 X .739 ID
	70921206	3	O-RING, .116 X .924 ID

CONTINUED

MC00312
PR: 438

REAR AXLE & WHEELS
REAR WHEEL ASSIST



**9790 COMBINE
TRANSMISSION & AXLES**

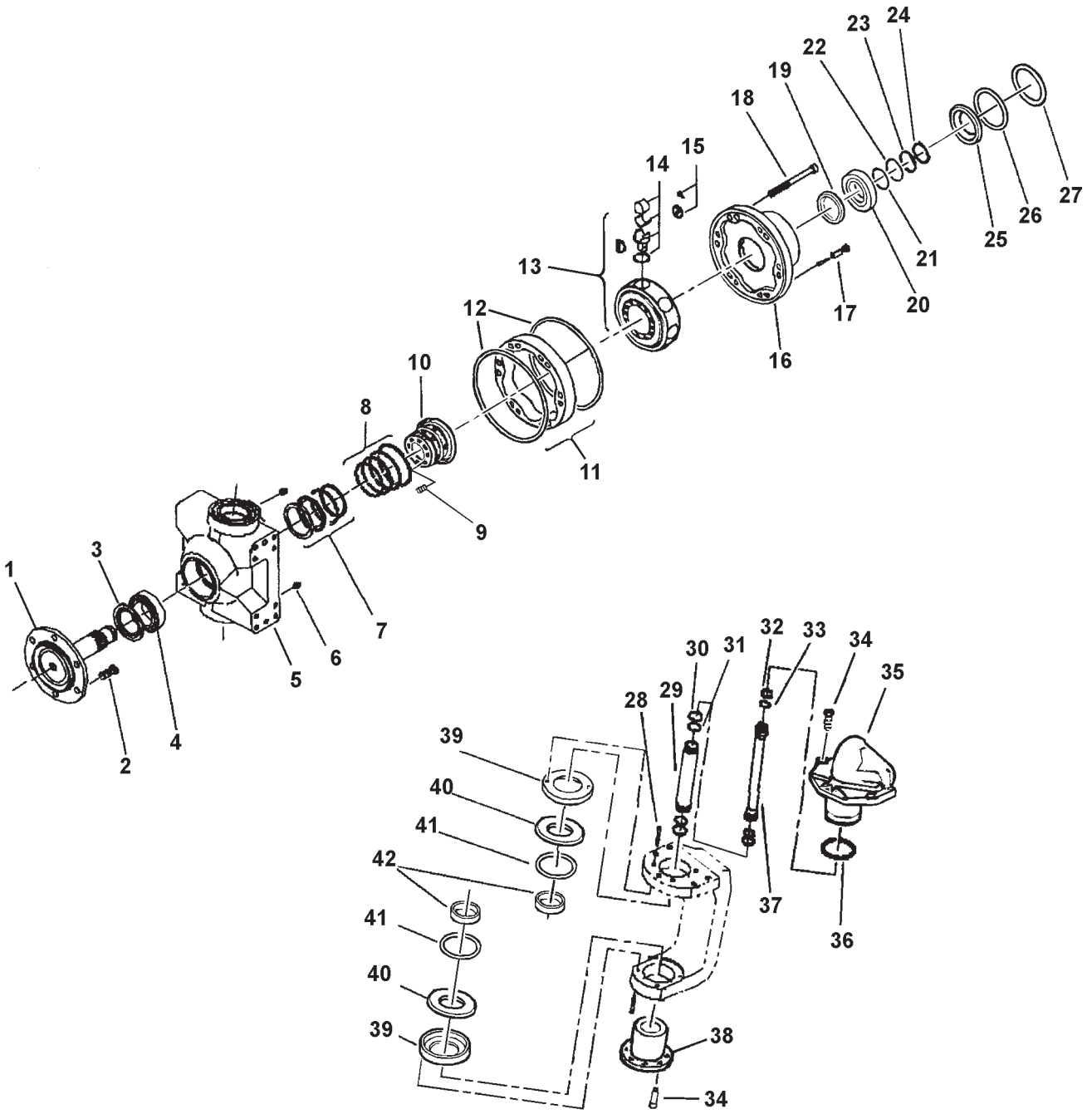
701

**REAR AXLE & WHEELS
REAR WHEEL ASSIST**

ITEM	NUMBER	QTY	DESCRIPTION
38	71359897	1	ELBOW, 90 DEG., LONG
	70923843	1	O-RING, .070 X .739 ID
	70921206	1	O-RING, .116 X .924 ID
39	102367M1	1	WIRE ASY, 147" LONG
	3619622M1	6	TIE, SELF LOCKING
40	71355063	2	STOP, PIVOT
	Y705046	2	WASHER, LOCK, 1/2
	704031	2	NUT, 1/2-13
41	2625050W1	1	PIN, REAR AXLE PIVOT
	70920272	1	CAPSCREW, 1/2-13 X 5 GR5
	704858	1	NUT, HEX TOP LOCK, 1/2-13
42	71395173	1	HOSE ASY., STEERING CYL. 41.5" (LH)
43	71395172	1	HOSE ASY., STEERING CYL. 29.4" (RH)
44	70929785	4	CLAMP, 2.00 TUBE X .531 HOLE
	703249	2	CAPSCREW, 3/8-16 X 1 GR5
	70920415	2	CAPSCREW, 3/8-16 X 1-1/4 GR5
	705038	4	LOCKWASHER, 3/8
	70916950	4	NUT, REG 3/8-16
45	71395789	1	TUBE ASY., STEERING (RH)
46	71398228	1	TUBE ASY., STEERING (LH)
	70929872	1	CLAMP, .875 TUBE X .406 HOLE
	703249	1	CAPSCREW, 3/8-16 X 1 GR5
	705038	1	LOCKWASHER, 3/8
	70916950	1	NUT, REG 3/8-16
47	101842M1	3	COVER PLATE, DOUBLE HYD HOSE
	70926106	3	CAPSCREW, 5/16-18 X 3-1/4
	7704117	3	NUT, HEX TOP LOCK, 5/16-18
48	101841M1	1	CLAMP PAIR, DOUBLE, 1-1/2 DIA
49	70922523	2	ELBOW, 90 DEG, 9/16-18 JIC X 9/16-18 ORB
	70921885	AR	O-RING, .078 X .468 ID
50	2441340W1	2	WASHER, THRUST
51	71387414	1	SWITCH, RWA, ON/OFF
-	71395065	AR	KIT, RWA AXLE ASY. (FIELD INSTALLED) (ORDER THRU DEALER CENTRAL)

MCO0312
PR: 438

REAR WHEEL ASSIST
WHEEL MOTOR UNIT



**9790 COMBINE
TRANSMISSION & AXLES**

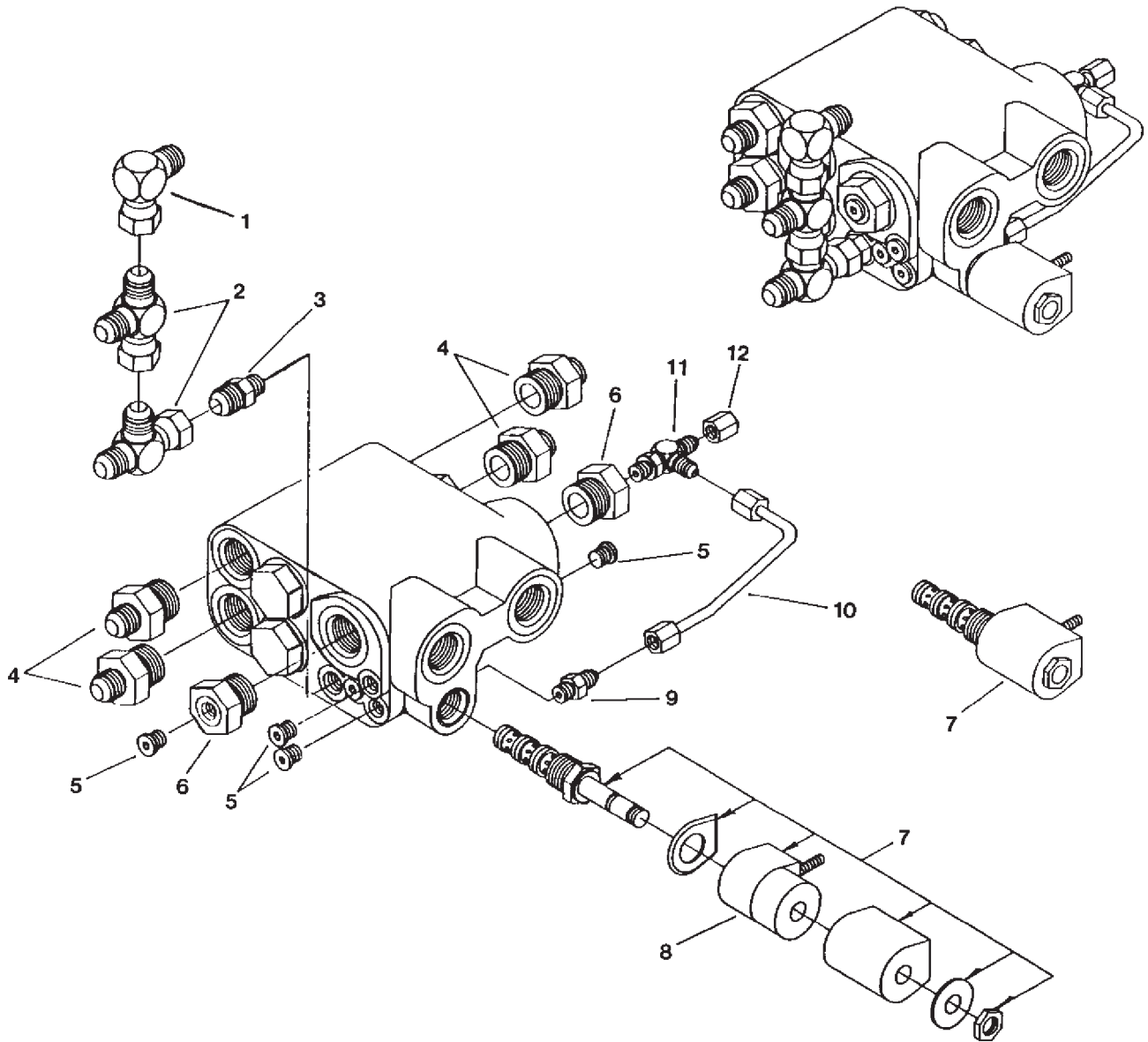
703

**REAR WHEEL ASSIST
WHEEL MOTOR UNIT**

ITEM	NUMBER	QTY	DESCRIPTION
-	71396580	AR	MOTOR, RWA, 1250 CC
1	71396597	1	SHAFT, WHEEL HUB
2	71359912	10	STUD, M20
3	71396590	1	DEFLECTOR, GREASE SEAL
4	71359946	1	BEARING, OUTER
5	71396584	1	SUPPORT, BEARING
6	71396596	2	FITTING, GREASE
7	71396585	1	SEAL, SHAFT, INNER
8	1081158M91	1	SEAL KIT, DISTRIBUTOR
9	71359923	8	SPRING
10	71359922	1	DISTRIBUTOR, VALVE BLOCK
11	1081151M1	1	CAM RING, (INCL. ITEM 12)
12	71359927	2	O-RING
13	112202W91	1	CYLINDER BLOCK ASY.
14	71396614	10	PISTON KIT
15	112204W91	1	PISTON RETAINER KIT (SERVICES 10 PISTONS)
16	71396598	2	SAFETY PIN
17	71396593	1	HOUSING BACK
18	71396595	14	CAPSCREW, SOCKET HEAD, M12 X 75
19	71396592	1	SPACER
20	71396586	1	BEARING, INNER
21	71396587	1	SHIM PACK
22	71396591	1	SPACER, BEARING
23	71396588	2	RETAINING RING, SPLIT
24	71396589	1	SNAP RING
25	71396581	1	COVER PLATE
26	71396583	1	O-RING
27	71396582	1	SNAP RING
28	71396605	8	CAPSCREW, SOCKET HEAD, M6 X 35
29	71396606	1	PIPE, OUTER
30	71396611	2	RING, BACK-UP, OUTER PIPE
31	71396610	2	O-RING, OUTER PIPE
32	71396613	2	RING, BACK-UP, INNER PIPE
33	71396612	2	O-RING, INNER PIPE
34	71396601	9	CAPSCREW, SOCKET HEAD, M10 X 25
35	71396599	1	PIN, TOP
36	71396608	1	SEAL, TOP PIN
37	71396607	1	PIPE, INNER
38	71396600	1	PIN, BOTTOM
39	71396604	2	SEAL, COVER, PROTECTOR
40	71396603	2	WASHER, THRUST
41	71396609	2	SEAL
42	71396602	2	BUSHING
-	71396594	1	SHIM (NOT ILLUSTRATED)
-	71396615	AR	SEAL KIT (INCL. ITEMS 3, 7, 8, 12 21, 26)
-	71396616	AR	BEARING KIT, KING PIN (INCL. ITEMS 36, 40, 41, 42)

MC00316
PR: 444

REAR WHEEL ASSIST
SELECTOR VALVE & FLOW DIVIDER



**9790 COMBINE
TRANSMISSION & AXLES**

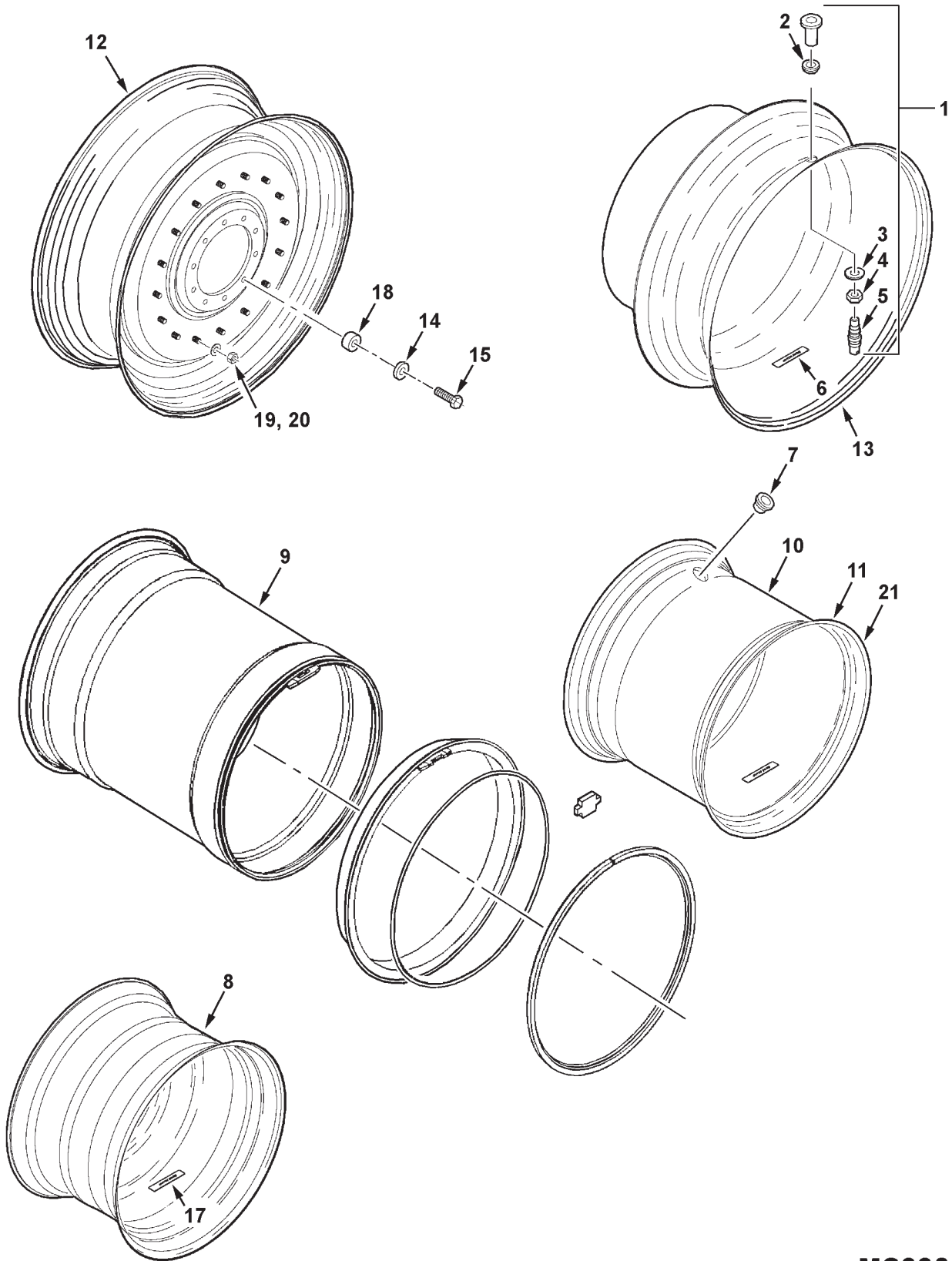
705

**REAR WHEEL ASSIST
SELECTOR VALVE & FLOW DIVIDER**

ITEM	NUMBER	QTY	DESCRIPTION
-	71396625	1	VALVE ASSEMBLY
1	70921279	1	ELBOW, SWIVEL, 3/4-16 37 DEG. FLARE
2	70921298	2	TEE, SWIVEL RUN, 3/4-16 37 DEG. FLARE
3	70924403	1	CONN, STR. 9/16-18 ORB X 3/4-16 JIC
	70921885	1	O-RING, .078 X .468 ID
4	70924296	4	CONN. STR. 1-1/16-12 ORB X 3/4-16 JIC
	70921206	4	O-RING, .116 X .924 ID
5	70928605	4	PLUG, HEX SOCKET, 7/16-20 ORB-M
	70921883	4	O-RING, .072 X .351 ID
6	1077239M91	2	REDUCER, ORB, 1-1/16-12 M X 7/16-20 FEM.
	70921206	2	O-RING, .116 X .924 ID
7	71359890	1	SOLENOID CARTRIDGE VALVE
8	71359891	1	SOLENOID COIL
9	70923163	1	CONN. STR. 7/16-20 JIC X ORB MALE
	70921883	1	O-RING, .072 X .351 ID
10	71359889	1	TUBE ASY, PILOT PRESSURE
11	70924783	1	TEE, ADJ. RUN, 7/16-20 JIC X ORB
	70921883	1	O-RING, .072 X .351 ID
12	70921467	1	CAP, HEX, 7/16-20 JIC FEM.
	1077240M91	1	PLUG, HEX SOCKET, 7/16-20 ORB
	1077238M91	AR	PLUG, MODIFIED, 3/4-16 ORB
	70922874	AR	PLUG, HEX SOCKET, 5/16-24 ORB
-	112235W91	-	KIT, SEAL, ET-II ORB O-RINGS

MC00074
PR: 446

WHEELS
DRIVE



**9790 COMBINE
TRANSMISSION & AXLES**

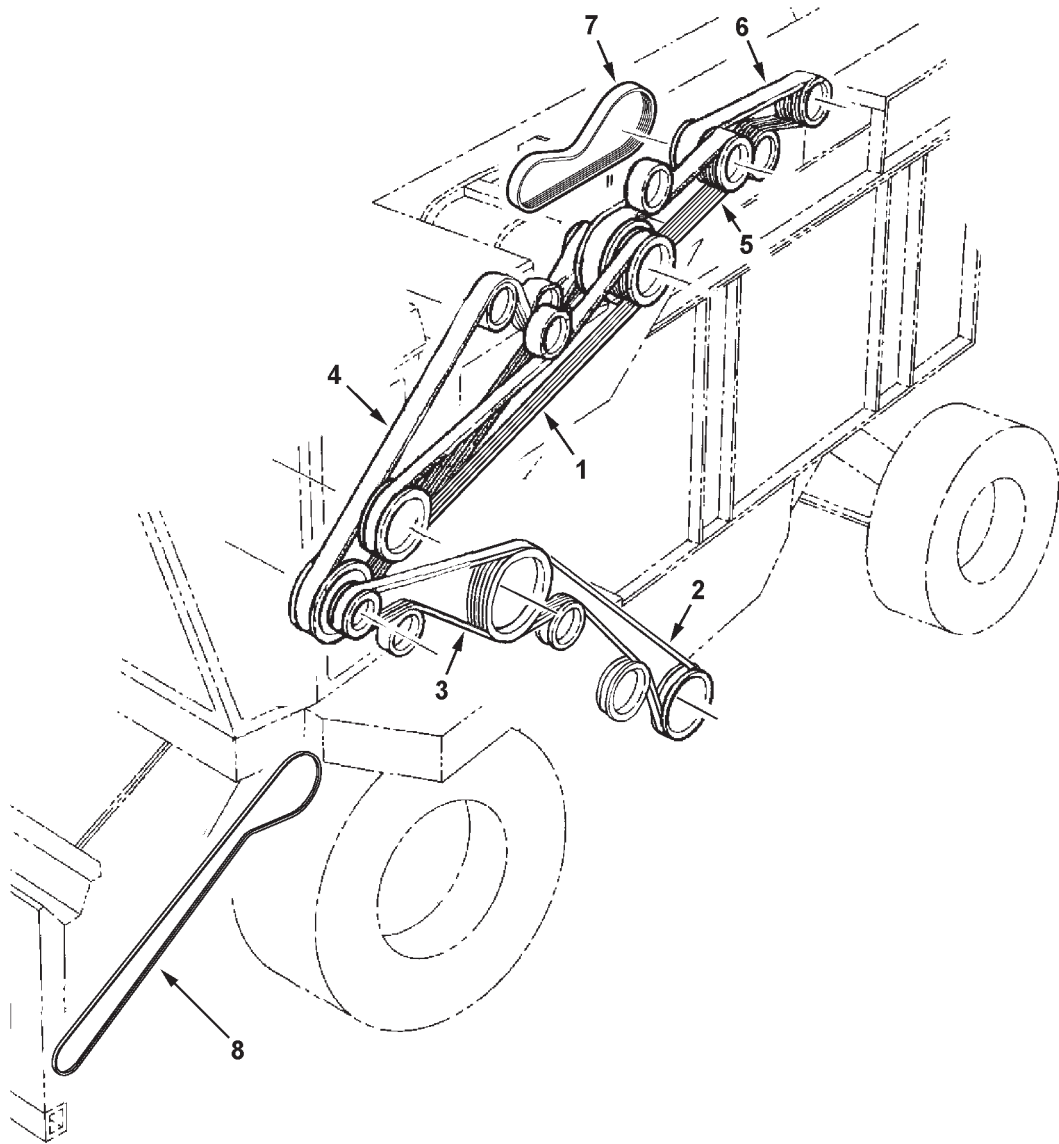
707

**WHEELS
DRIVE**

ITEM	NUMBER	QTY	DESCRIPTION
1	7027469	2	VALVE ASY, CLAMP-IN (COMPLETE)(INCL ITEMS 2, 3, 4, 5)(TUBELESS TIRE)
	71169204	AR	PLUG ASY (USED IN PLACE OF ITEM 5)
2	71170390	2	GROMMET, RIM
3	71175919	2	WASHER, ADAPTER HSG
4	71175918	2	NUT, ADAPTER HSG
5	71170388	2	VALVE HOUSING & CORE ASY, W/ CAP
6	71184188	2	DECAL, TORQUE (400 FT. LBS.)
7	539651M1	1	PLUG, RIM HOLE (FOR TUBELESS TIRE)
8	71328912	2	WHEEL - FOR 16.9 X 34 TIRE
9	71396374	2	WHEEL ASY, 32 X 36DWW -FOR 73X44X32 TIRE & 1050/50R-32 TIRE. (INCL. FOLLOWING, LESS VALVE ASY)
	71398241	2	WHEEL, LESS COMPONENTS
	71398242	2	RING, DRIVER, 32"
	71398243	2	LOCKRING, 32"
	71398244	2	O-RING, 32"
	71398245	2	DRIVER KEY
	71401733	2	VALVE STEM ASY, CLAMP-IN
10	71361406	2	WHEEL - FOR 30.5L X 32 TIRE
11	71361406	2	WHEEL - FOR 800/65R-32 TIRE (120" TREAD)
	71401766	2	WHEEL - FOR 800/65R-32 TIRE (123" TREAD)
	71401735	2	WHEEL - FOR 900/60R-32 TIRE
12	71384878	2	WHEEL, INNER DUAL - FOR 18.4R-42 TIRE (INCLS STUD, PRESS-IN, 16 PER WHEEL)
	71398211	2	WHEEL, INNER DUAL - FOR 20.8R-38 TIRE (INCLS STUD, PRESS-IN, 16 PER WHEEL)
	71396348	2	WHEEL, INNER DUAL - FOR 20.8R-42 TIRE (INCLS STUD, PRESS-IN, 16 PER WHEEL)
	71388713	32	STUD, WHEEL (PRESS-IN) 3/4-16 UNF
13	71384879	2	WHEEL, OUTER DUAL - FOR 18.4R-42 TIRE
	71398212	2	WHEEL, OUTER DUAL - FOR 20.8R-38 TIRE
	71396349	2	WHEEL, OUTER DUAL - FOR 20.8R-42 TIRE
14	705665	20	WASHER, HARD, 7/8 WIDE
15	70925806	20	CAPSCREW, 7/8-9 X 3" GR8
17	71348455	2	DECAL, TORQUE, INNER WHEEL (600FT.-LBS)
18	71370926	20	SPACER, WHEEL BOLT (INNER WHEEL)
19	70936298	32	NUT, HVY HEX, 3/4-16UNF GR8
20	Y705566	32	WASHER, HARD, .812 X 1.50 X 9 GA
21	71370934	4	WHEEL, DUAL - FOR 24.5-32 TIRES
	71404432	2	SPACER SPOOL, 19.5" WIDE (NOT ILLUSTR'D)
	700724394	20	CAPSCREW, 7/8-9 X 3-3/4 GR8
	700724395	20	CAPSCREW, M22 X 2.25 X 65 MM CL 10.9
	71404430B	1	PLATE,SPACER, 1" (DECK EXT'N)(NOT ILLUS)

MCO0317
PR: 448

BELTS
LEFT



**9790 COMBINE
DRIVES**

709

**BELTS
LEFT**

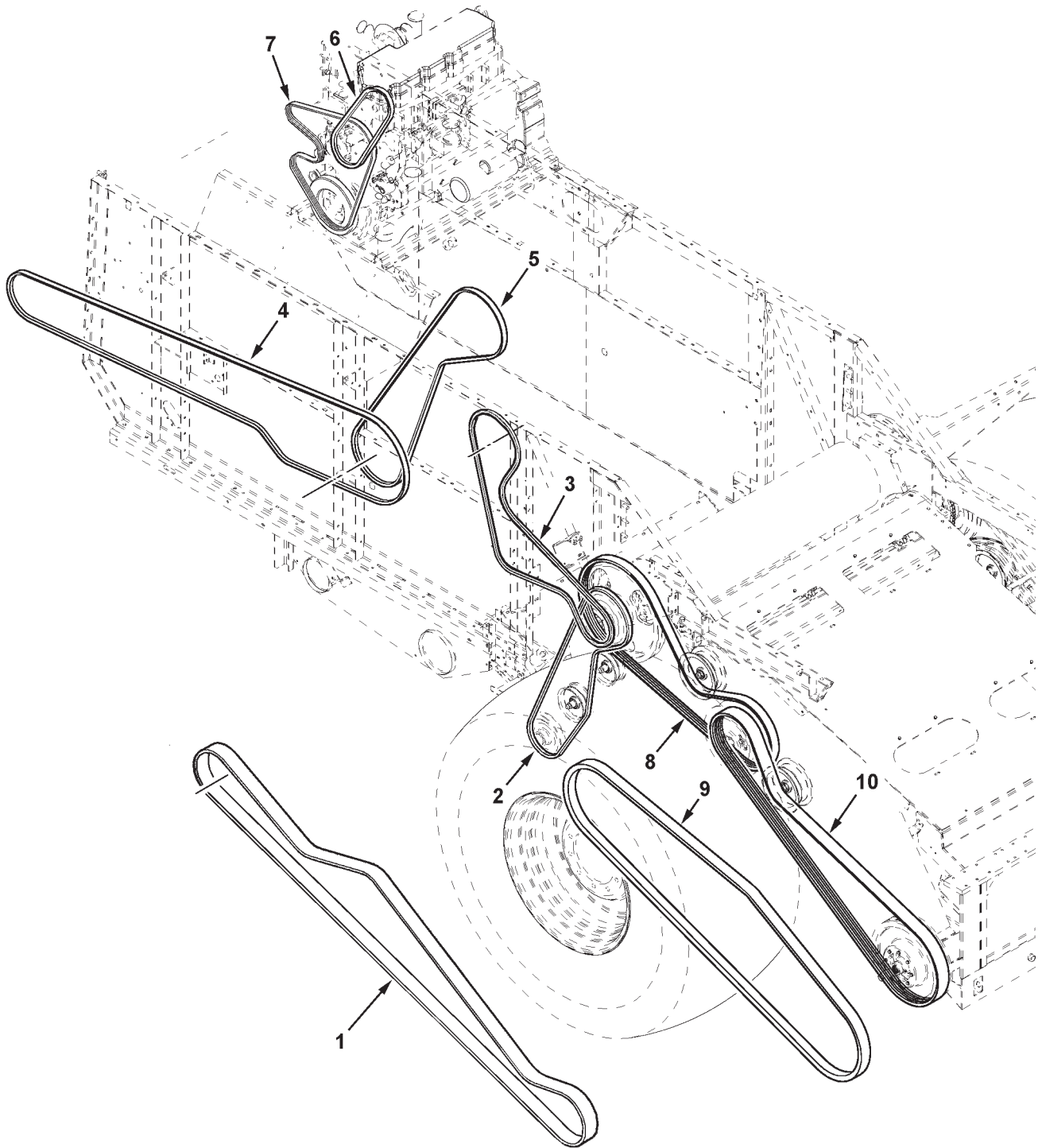
ITEM	NUMBER	QTY	DESCRIPTION
1	101102M1	1	BELT, UNLOADER, 149.3"
2	227455M1	1	BELT, GRAIN ELEV, 130"(PRIOR S/N HP36101)
	71403685	1	BELT, GRAIN ELEV, 129.5"(EFF. S/N HP36101)
3	71390199	1	BELT, SHAKER SHOE PITMAN, 100.8"
4	71388216	1	BELT, BEATER, 175.3"
5	71390188	1	BELT, MAIN COUNTERSHAFT, 143.0"
6	71390210	1	BELT, ROTOR PUMP DRIVE, 90.2"
7	71390209	1	BELT, PROPEL PUMP DRIVE, 92.1" (PRIOR S/N HR36101)
	71406620	1	BELT, PROPEL PUMP DRIVE, 93.3" (EFF. S/N HR36101)
8	71398388	1	BELT, HDR C'SHAFT TO PIVOT SHAFT, 195.5" (EFF. S/N HP36101)

MC00390
PR: 450

710

9790 COMBINE
DRIVES

BELTS
RIGHT



**9790 COMBINE
DRIVES**

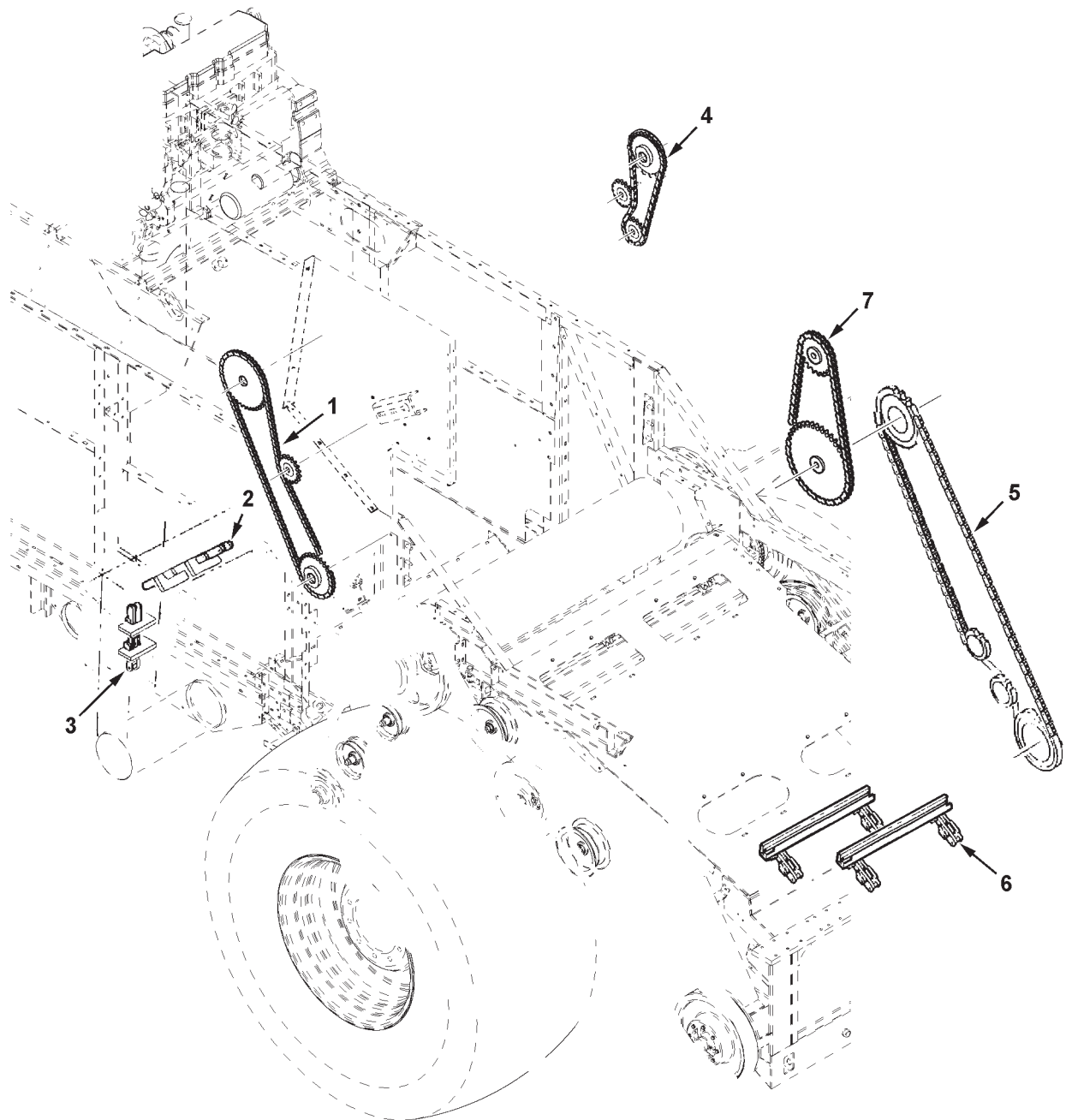
711

**BELTS
RIGHT**

ITEM	NUMBER	QTY	DESCRIPTION
1	71379105	1	BELT, BEATER TO HDR C'SHAFT, 4-V, 217.0" (PRIOR S/N HP36101)
2	71394352	1	BELT, V/S FAN, 115"
3	71385801	1	BELT, RETURN ELEVATOR, 109.6"
4	71388712	1	BELT, CHOPPER SECONDARY, 213.75" (PRIOR S/N HR36101)
	71406339	1	BELT, CHOPPER SECONDARY, 214.2" (EFF. S/N HR36101)
	1680230W1	1	BELT, SPREADER, 233.2"
5	227455M1	1	BELT, SPREADER JACKSHAFT, 130"
	71385837	1	BELT, CHOPPER PRIMARY, 123.75" (PRIOR S/N HR36101)
	71406361	1	BELT, CHOPPER PRIMARY, 136.5" (EFF. S/N HR36101)
6	71148120	1	BELT, A/C COMPRESSOR
7	3289213V	1	BELT, FAN/ALTERNATOR (68.5"LG)
	71410501V	1	BELT, FAN/ALT. (KIT, PRIOR S/N HR36101)
	V685121585	1	BELT, FAN/ALT., SISU
8	71398384	1	BELT,BEATER TO FEEDR HOUSE JKSHAFT, 136" (EFF. S/N HP36101)
9	71399505	1	BELT, V.S. TO HEADER C'SHAFT, HM, 157.5" (EFF. S/N HP36101)
10	71399519	1	BELT,JCKSHAFT TO HDR C'SHAFT, 3-V,160.5" (EFF. S/N HP36101)

MCO0388
PR: 452

CHAINS
DRIVE



**9790 COMBINE
DRIVES**

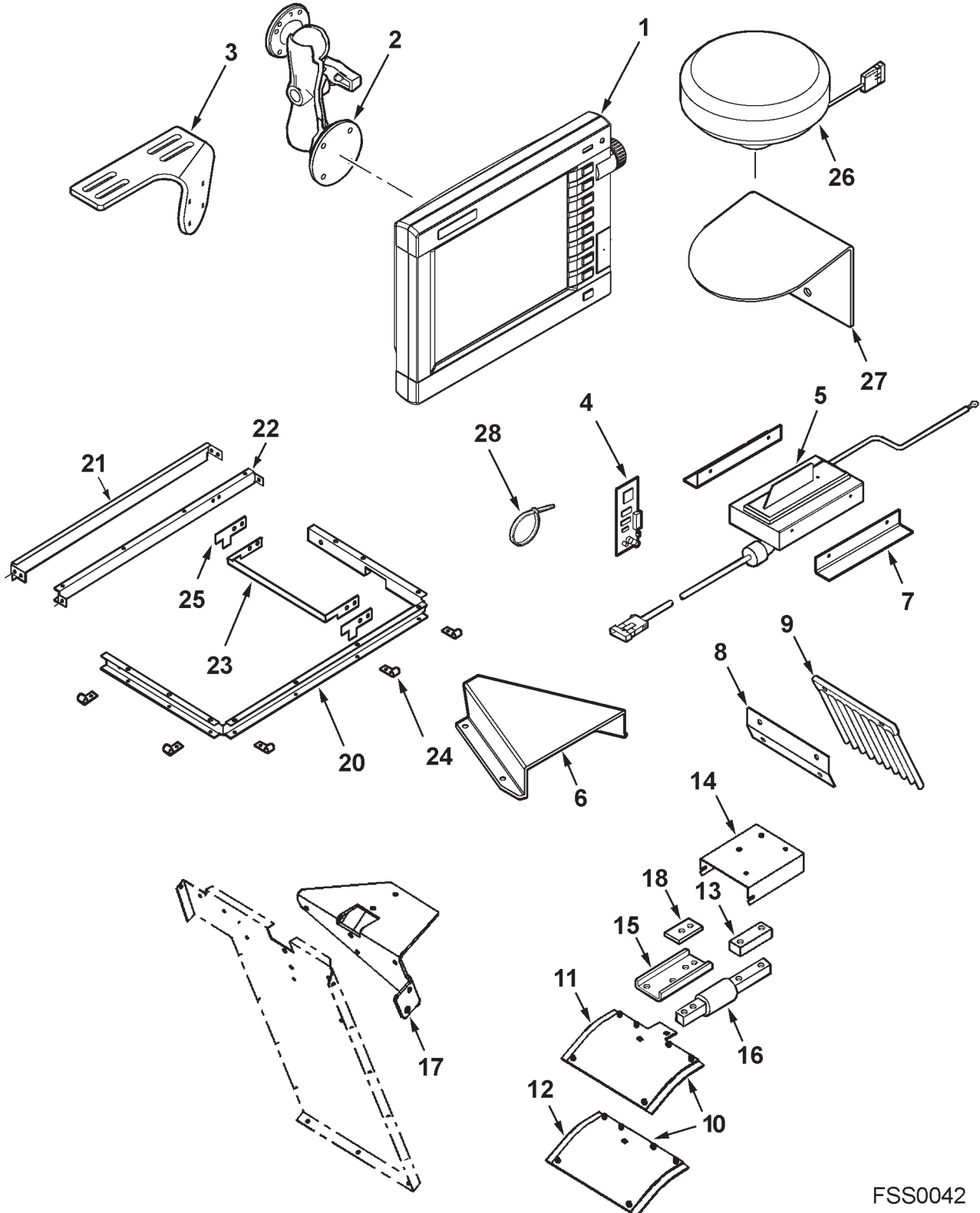
713

**CHAINS
DRIVE**

ITEM	NUMBER	QTY	DESCRIPTION
1	Y851774	1	CHAIN ASY, BIN FILL, #50, 101 PITCHES, (PLUS 1 CONNECTR)(PRIOR S/N HN36101)
	-----	1	CHAIN #50, 109 PITCHES (USE 107 LINKS OF BULK CHAIN, PLUS 1 CONNECTOR #50 & 1 OFFSET LINK #50 (EFF. S/N HN36101)
	840327M91	1	CHAIN #50, 5/8 PITCH, BULK (10 FT)
	70913682	1	LINK, CONNECTOR, #50
	70913680	1	LINK, OFFSET, #50
2	2615233W92	1	CHAIN ASY, RETURN ELEV. (119 LINKS) (PRIOR S/N HP36101)
	71406795	1	CHAIN ASY, RETURN ELEV. (118 LINKS) (EFF. S/N HP36101)
	70927035	AR	LINK, OFFSET
	70927034	AR	LINK, ROLLER
	329951M91	AR	LINK, CONNECTOR
	2605880W91	29	LINK, ATTACHING, PAIR
	W1511670	29	CUP, FLIGHT
	70921333	58	CAPSCREW, 5/16-18 X 1
	70923362	58	NUT, CENTER LOCK, 5/16-18
	70917642	58	WASHER, 5/16, WIDE
	2635690W1	58	SPACER SLEEVE
3	71393534	1	CHAIN ASY., GRAIN ELEVATOR
	71393533	1	CHAIN ASY, LESS SCRAPERS
	71149388	AR	LINK, ATTACHING
	70927034	AR	LINK, ROLLER
	70927035	AR	LINK, OFFSET
	71364946	37	SCRAPER
	70927401	74	CAPSCREW, 1/4-20 X 1.0
	700709601	74	WASHER, FLAT 1/4
	Y704395	74	LOCKNUT, 1/4-20
4	-----	1	CHAIN, UNLOADER DR, #60, 70 PITCHES (USE 69 LINKS OF BULK CHAIN AND 1 CONNECTOR)
	70921050	AR	CHAIN, #60, 3/4 PITCH, BULK (10 FT)
	70914584	AR	LINK, CONNECTOR, #60
5	71149992	1	CHAIN ASY., FEEDER DRIVE, # 60 (PRIOR S/N HP36101)
	70914584	AR	LINK, CONNECTOR, #60
6	71449003	1	CHAIN ASY, FEEDER CONVEYOR, W/SLATS (PRIOR S/N HP36101)
	71149999	1	CHAIN ASY, CENTER(PRIOR S/N HP36101)
	71449001	2	CHAIN ASY, SIDE (PRIOR S/N HP36101)
	71449017	1	CHAIN ASY, FEEDER CONVEYOR, W/SLATS (EFF. S/N HP36101)
	71449016	1	CHAIN ASY, CENTER (EFF. S/N HP36101)
	71449015	2	CHAIN ASY., SIDE (EFF. S/N HP36101)
	71149894	AR	LINK, ATTACHING
	70937300	AR	LINK, ROLLER
	71149896	AR	LINK, OFFSET (INCL. PIN & LOCKNUT)
	71149895	AR	LINK, COUPLING
	70920397	AR	NUT, NYLON LOCK, 1/4-20
	71387896	28	SLAT, FEEDER CHAIN
	70937603	112	CAPSCREW, LOCKING, 1/2-13 X 3/4 GR8
	70928512	112	NUT, 1/2-13 REG GR8
7	-----	1	CHAIN ASY, FEEDER REVERSER, #60 (EFF. S/N HP36101)
	71449019	1	CHAIN, #60, 71 PITCHES
	70914584	1	CONNECTOR LINK, #60 CHAIN

MC00322
PR: 454

YIELD MONITOR SYSTEM W/ 1 HZ WAAS DGPS



**9790 COMBINE
FIELDSTAR II SYSTEM**

715

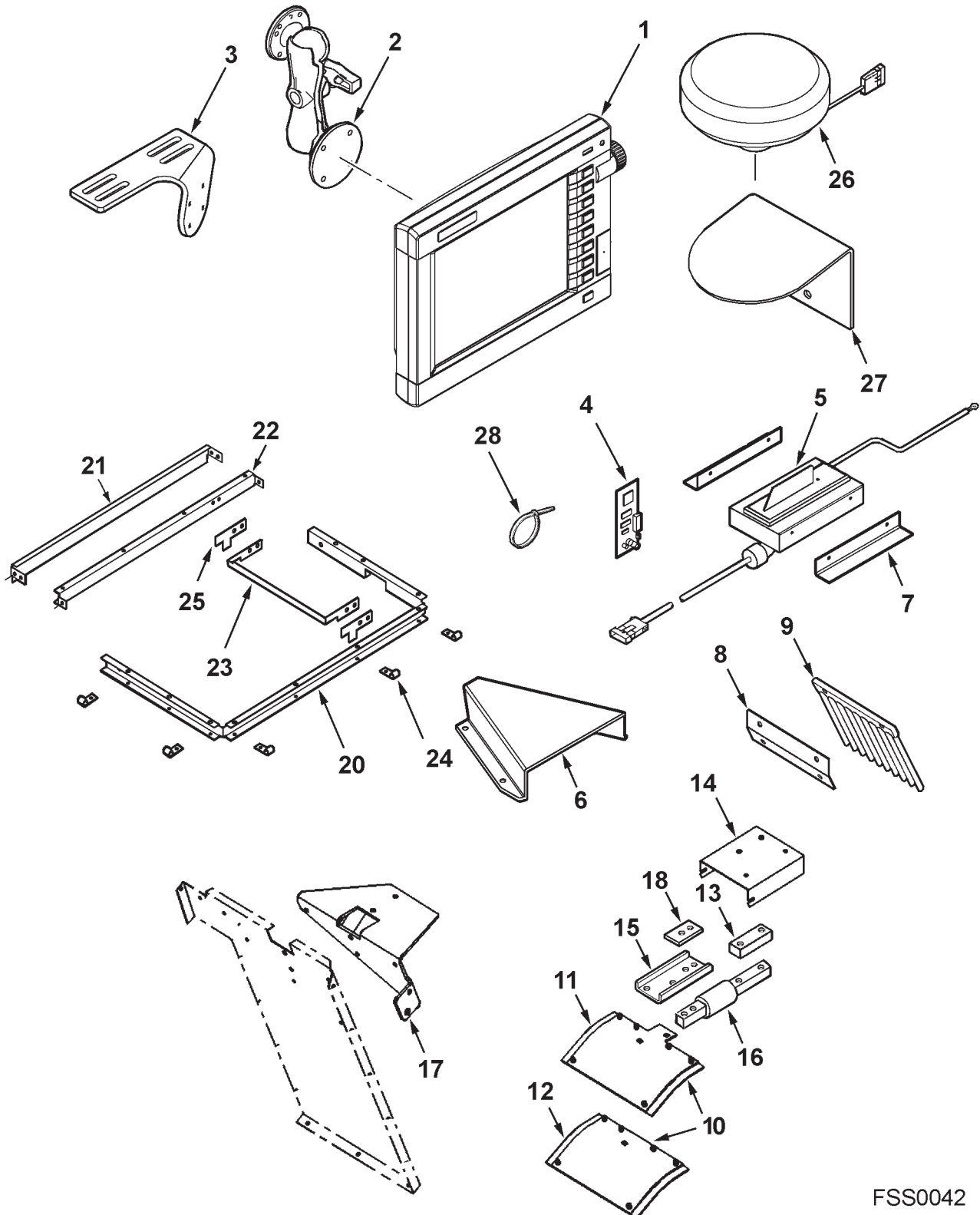
YIELD MONITOR SYSTEM W/ 1 HZ WAAS DGPS

ITEM	NUMBER	QTY	DESCRIPTION
-	72570023	AR	KIT, YIELD MONITOR SYSTEM W/ 1 HZ WAAS DGPS
-	71387554	AR	KIT, MOISTURE SENSOR/FUNNEL (INCL. ITEMS 5-9)
1	72571014	1	CONSOLE II, FIELDSTAR (GTA)
	Y705269	4	LOCKWASHER, M6
	7883978	4	CAPSCREW, M6 X 1 X 12
2	71409820	1	BRACKET, CONSOLE MOUNTING
	700705088	4	SCREW, #10-24 X 3/4
	373197X1	4	SCREW, #10-24 X 5/8 (USED W/FLAT BASE PLATE)
	70916621	4	NUT, #10-24
	705004	4	LOCKWASHER, #10
	70917380	4	WASHER, #10
3	71410962	1	PLATE, BASE
	71408376	1	PLATE, BASE, FLAT (USED ON EARLY PROD.) (NOT SHOWN)
4	72571032	1	CARD, INTERFACE
5	71378711	1	SENSOR, MOISTURE
	72516412	AR	CONNECTOR
	72516411	AR	LOCK, SECTION
	72515775	AR	TERMINAL, MALE
	72515771	AR	SEAL
	70937685	3	J-CLIP, 3/8 X .406 HOLE
	Y704015	2	NUT, 5/16-18
6	71387552	1	FUNNEL, MOISTURE SENSOR
	70921332	4	CAPSCREW, 5/16-18 X 3/4
	Y705608	4	WASHER, 5/16
	70917356	4	LOCKWASHER, 5/16
	Y704015	4	NUT, 5/16-18
7	71387553	2	BRACKET, MOISTURE SENSOR
	70931832	4	SCREW, #8-32 X 3/8
	70537291	4	FASTENER, SNAP
	70924837	4	RIVET, 3/16 X 9/32
8	71400588	1	BRACKET, MOISTURE SENSOR FINGERS
9	71393717	1	EXTENSION, FINGERS DIFFUSE
	700711167	2	SCREW, 1/4-20 X 3/4
	70918264	2	WASHER, 1/4
	705012	2	LOCKWASHER, 1/4
	70916622	2	NUT, 1/4-20
10	71401399	1	TARGET ASY., YLD SENSOR (INCLUDE ITEMS 11 & 12)
	W900194-4	2	BOLT, CARRIAGE, 1/4-20 X 1/2
	705012	2	LOCKWASHER, 1/4
	70916622	2	NUT, 1/4-20
11	71401398	1	PLATE, YLD SENSOR TARGET
12	71401390	1	TARGET, UHMW PLASTIC
	70937253	6	RIVET, POP
13	71400581	1	BAR, CLAMP, YIELD SENSOR
14	71400585	1	COVER, YIELD SENSOR
	70921963	2	CAPSCREW, 1/4-20 X 2
	705012	2	LOCKWASHER, 1/4
	70916622	2	NUT, 1/4-20

CONTINUED

FSS0042
PR: t06e31j25c0001

YIELD MONITOR SYSTEM W/ 1 HZ WAAS DGPS



**9790 COMBINE
FIELDSTAR II SYSTEM**

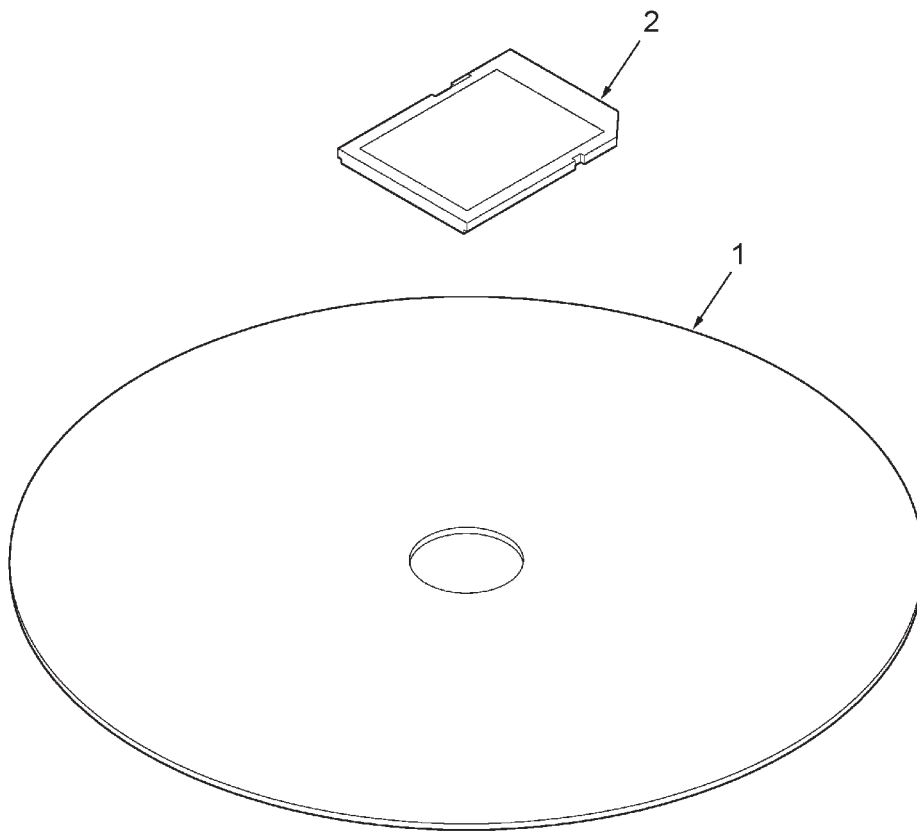
717

YIELD MONITOR SYSTEM W/ 1 HZ WAAS DGPS

ITEM	NUMBER	QTY	DESCRIPTION
15	71406842	1	MOUNT, BAR, YIELD SENSOR
16	71399237	1	LOAD BAR, YIELD SENSOR(W/ELECTRICAL BOX)
	700700628	2	MACHINE SCREW, #10-24 X 1/2
	705004	2	LOCKWASHER, #10
	Y704072	2	NUT, 10-24
17	71399241	1	MOUNTING WLDMT., YIELD SENSOR
	7703457	6	CAPSCREW, 1/4-20 X 3/4
	70917377	6	WASHER, WIDE PLAIN 1/4
	705012	6	LOCKWASHER, 1/4
	70916622	6	NUT, 1/4-20
18	71406844	1	PLATE, TARGET CLAMPING
	7703473	2	CAPSCREW, 1/4-20 X 1-1/4
	70917377	2	WASHER, WIDE PLAIN 1/4
	70931209	2	NUT, HEX FLNG SER LK, 1/4-20
19	72571068	1	TAPE, POLYETHYLENE (NOT SHOWN)
20	71399242	1	RISER, 1", ELEV. HEAD
	700704837	10	MACHINE SCREW, #10-24 X 3/8
	705004	10	LOCKWASHER, #10
	Y704072	10	NUT, #10-24
21	71399243	1	RISER, 1", ELEV. HEAD
	700704837	4	MACHINE SCREW, #10-24 X 3/8
	705004	4	LOCKWASHER, #10
	Y704072	4	NUT, #10-24
	70921958	2	CAPSCREW, 1/4-20 X 1/2
	70918264	2	WASHER, 1/4
	705012	2	LOCKWASHER, 1/4
	70916622	2	NUT, 1/4-20
22	71399246	1	RISER PLATE, ELEV. HEAD
	70921958	4	CAPSCREW, 1/4-20 X 1/2
	70918264	4	WASHER, 1/4
	705012	4	LOCKWASHER, 1/4
	70916622	4	NUT, 1/4-20
23	71410927	1	SEAL, YIELD SENSOR
	70921958	4	CAPSCREW, 1/4-20 X 1/2
	705012	4	LOCKWASHER, 1/4
	70916622	4	NUT, 1/4-20
24	71151362	5	CLIP
25	71410926	2	SNUBBER, YIELD SENSOR
26	71395205	1	RECEIVER, 1 HZ WAAS GARMIN
27	71395218	1	BRACKET, ANTENNA
	70921332	2	CAPSCREW, 5/16-18 X 3/4
	Y705608	2	WASHER, 5/16
	70917356	2	LOCKWASHER, 5/16
	Y704015	2	NUT, 5/16-18
	70937685	1	J-CLIP, 3/8
28	70925094	AR	TIE, SELF
29	72571081	1	HARNESS, ADAPTER FIELDSTAR II (CONNECTS CONSOLE II TO COMBINE HARNESS) (NOT SHOWN)
30	71400915	1	BACK, GRAIN ELEVATOR HEAD (NOT SHOWN)
-	71410563C	1	MANUAL, FIELDSTAR OPERATION
-	71410562	1	FORM, WARRANTY

FSS0042
PR: t06e31j25c0001

SOFTWARE/DATA CARD



9790 COMBINE
FIELDSTAR II SYSTEM

719

SOFTWARE/DATA CARD

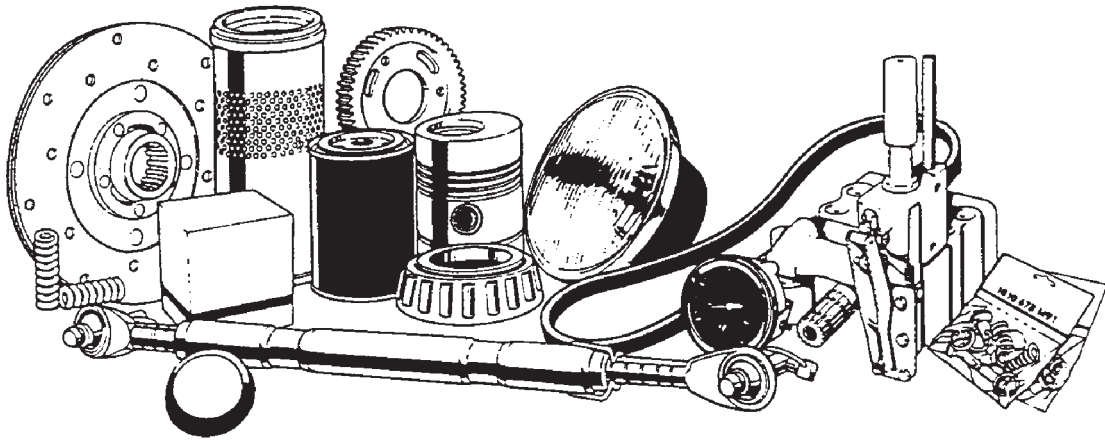
ITEM	NUMBER	QTY	DESCRIPTION
-	72570030	AR	KIT, SOFTWARE PACKAGE, GTA 100/200/300
1	72570001	1	SOFTWARE, GTA 100
	72570002	AR	SOFTWARE, GTA 200 (REQUIRES GTA 100)
	72570003	AR	SOFTWARE, GTA 300 (REQUIRES GTA 100/200)
	72570004	AR	SOFTWARE, GTA 400 (REQUIRES GTA 100/200/300)
2	72571070	AR	CARD, SD (DATA), 256 MB
-	72571136	AR	CARD, FIELDSTAR II PROGRAM [A] (TASK CONTROLLER 1.3.1 & COMBINE SW 2.00)

[A] CAN BE REUSED AS DATA CARD

FSS0043
PR: t06e31j25c0003

RECOMMENDED DEALER LIST

RECOMMENDED DEALER STOCK



**9790 COMBINE
RECOMMENDED DEALER LIST**

721

RECOMMENDED DEALER LIST

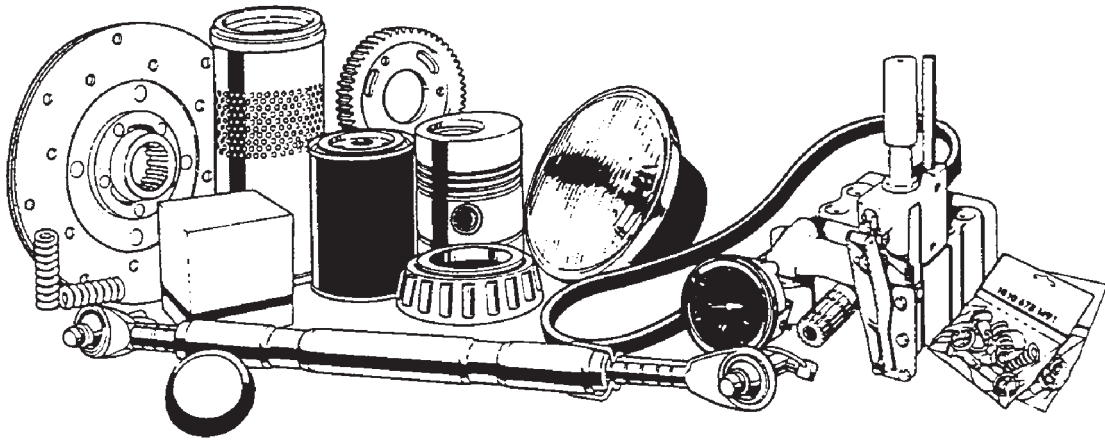
ITEM	NUMBER	QTY	DESCRIPTION
-	71379601	1	A/C COMPRESSOR & CLUTCH ASY
-	71315999	1	ABSORBER, SHOCK
-	81370306	1	ALTERNATOR, 130 AMP, 12 VOLT (REMAN)
-	1907162M1	4	BATTERY
-	112887W1	2	CAP, RESERVOIR BREATHER
-	71371520	4	CYLINDER BAR, .75 CHROME (GRN,CRN,SBN)
-	71371526	1	CYL BAR, REVERSE, .75 CHROME (GR,CN,SBN)
-	711770	2	BEARING
-	831822M1	2	BEARING
-	K4037	2	BEARING
-	31-1588410	2	BEARING
-	50468	1	BEARING
-	50021	2	BEARING
-	354920X1	1	BEARING
-	71308951	2	BEARING KIT
-	71308770	2	BEARING KIT
-	71154722	1	BEARING, BALL
-	71195913	1	BEARING, BALL
-	1109055	1	BEARING, BALL
-	1138480	1	BEARING, BALL
-	1139003	1	BEARING, BALL
-	10033	1	BEARING, BALL
-	71396472	1	BEARING, BALL
-	71308984	2	BEARING, FLANGE
-	71122510	1	BEARING, FLANGE
-	71309117	1	BEARING, FLANGE
-	71335184	1	BEARING, FLANGE
-	71396208	1	BEARING, ROLLER
-	70590709	1	BEARING, BALL
-	71392693	1	BEARING ASM
-	71396180	1	BEARING ASM
-	8050866	1	BEARING, CAM FOLLOWER
-	7710551	1	COLLAR, BEARING
-	70590704	1	BEARING, BALL, W/O COLLAR
-	101102M1	1	BELT, UNLOADER
-	227455M1	2	BELT, SPRDR JACKSHAFT/GRAIN ELEV
-	71390199	1	BELT, SHAKER SHOE PITMAN
-	71388216	1	BELT, BEATER
-	71390188	1	BELT, COUNTERSHAFT
-	71390210	1	BELT, ROTOR PUMP (REAR)
-	71390209	1	BELT, PROPEL PUMP (PRIOR S/N HR36101)
-	71406620	1	BELT, PROPEL PUMP (EFF. S/N HR36101)
-	71379105	1	BELT, FEEDER
-	71394352	1	BELT, V/S FAN
-	71385801	1	BELT, RETURN ELEVATOR
-	71388712	1	BELT, CHOPPER SECONDARY (PRIOR HR36101)
-	71406339	1	BELT, CHOPPER SECONDARY (EFF. HR36101)
-	1680230W1	1	BELT, SPREADER
-	71385837	1	BELT, CHOPPER PRIMARY (PRIOR HR36101)
-	71406361	1	BELT, CHOPPER PRIMARY (EFF. S/R HR36101)
-	3289213V	1	BELT, FAN/ALT. DRIVE (CUMMINS)

CONTINUED

RDL
PR: 460

RECOMMENDED DEALER LIST

RECOMMENDED DEALER STOCK



**9790 COMBINE
RECOMMENDED DEALER LIST**

723

RECOMMENDED DEALER LIST

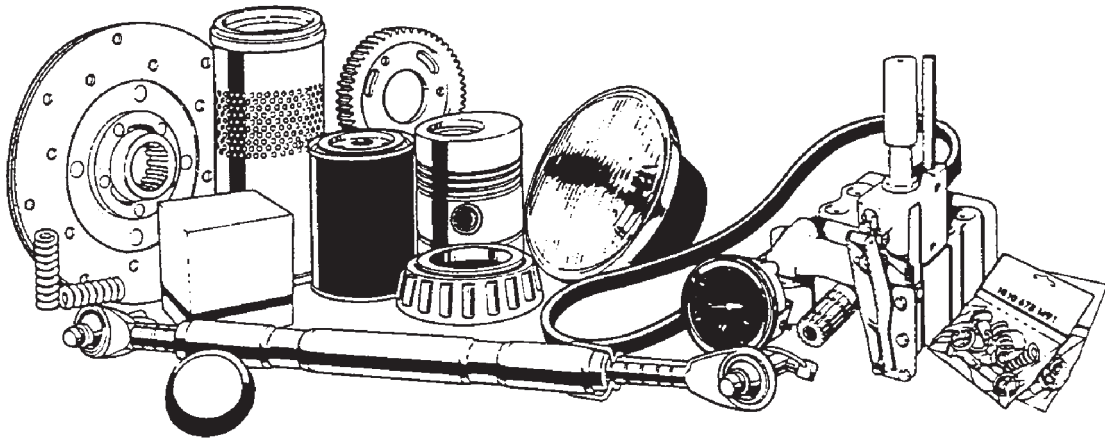
ITEM	NUMBER	QTY	DESCRIPTION
-	V685121585	1	BELT, FAN/ALT. DRIVE (SISU)
-	71148120	1	BELT, A/C COMPRESSOR
-	71396754	1	BELT, ROTARY SCREEN
-	71382758	6	BLADE, LEFT PADDLE, CHOPPER
-	71382759	6	BLADE, RIGHT PADDLE, CHOPPER
-	71387297	1	BLADE, WIPER
-	7751605	1	BREATHER VENT
-	700725576	4	BULB, FRONT LAMP
-	70928348	10	BULB, 1157
-	1018729M1	10	BULB, 1156
-	71397443	5	BULB
-	700722351	2	BULB, HALOGEN, 12V (GE #862)
-	71356060	3	BUSHING
-	71370121	1	BUSHING, ARM
-	71157144	2	BUSHING, BRONZE
-	71400413	1	CAP, RADIATOR
-	112887W1	2	CAP, RESERVOIR BREATHER
-	W1511670	12	CUP, CONVEYOR FLIGHT
-	Y851774	1	CHAIN ASY, BIN LOADER, #50
-	71393534	1	CHAIN ASY, GRAIN ELEVATOR
-	2615233W92	1	CHAIN ASY, RETURN ELEVATOR
-	71149992	1	CHAIN ASY, FEEDER DRIVE #60
-	71449003	1	CHAIN ASY, FEEDER CONVEYOR, W/SLATS
-	71449017	1	CHAIN ASY, FEEDER CONVEYOR, W/SLATS
-	70921050	2	CHAIN, BULK, #60, 3/4 PITCH, (10 FT)
-	71188504	1	COIL, W/DIODE
-	375028X1	2	COLLAR
-	K3518	2	COLLAR, BEARING
-	K3999	1	COLLAR, BEARING
-	834580M1	1	CONE
-	74254700	2	CONE, BEARING
-	70228509	2	CONE, BEARING
-	74254699	2	CUP
-	850181M1	1	CUP
-	834581M1	1	CUP
-	195160M1	1	CUP
-	1070229M1	2	ELEMENT, PRIMARY
-	1070230M1	1	ELEMENT, SAFETY
-	71393893	6	ELEMENT, AIR FILTER
-	104309W91	4	ELEMENT, HYD. OIL FILTER
-	71391153	2	FILTER ASY, CAB AIR
-	72511906	4	FUEL FILTER/WATER SEPARATOR
-	V836867595	5	FILTER ELEMENT, FUEL, SISU
-	V836867591	5	PRE-FILTER, FUEL, SISU
-	72516560	12	OIL FILTER, CUMMINS ENGINE
-	V836362567	12	OIL FILTER, SISU ENGINE
-	71372880	2	FILTER, COOLANT (FULL FILL)
-	71127313	3	FLANGE, BEARING
-	71133361	3	FLANGE, BEARING
-	71192243	1	FLANGE, BEARING
-	71130258	2	FLANGE, BEARING
-	71370634	1	FLANGETTE, 72MM
-	70934740	2	FUSE
-	70934739	2	FUSE

CONTINUED

RDL
PR: 460

RECOMMENDED DEALER LIST

RECOMMENDED DEALER STOCK



9790 COMBINE
RECOMMENDED DEALER LIST

725

RECOMMENDED DEALER LIST

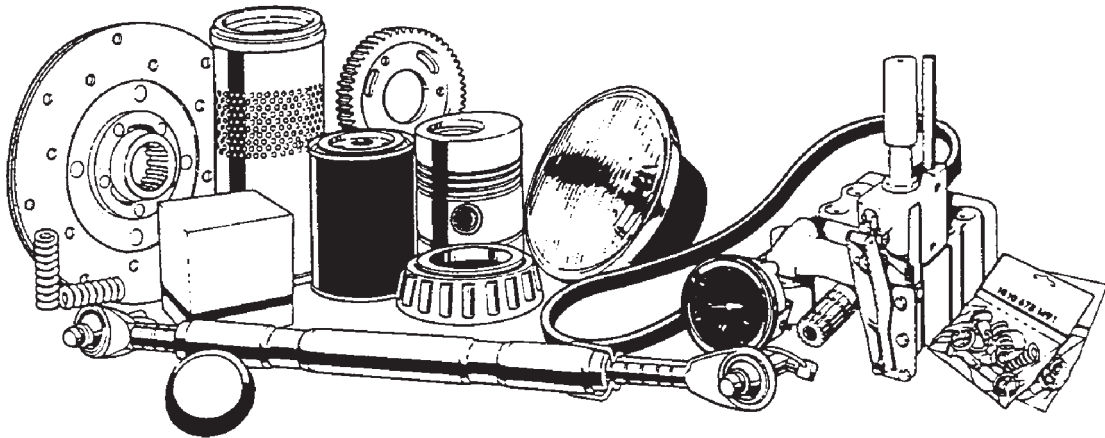
ITEM	NUMBER	QTY	DESCRIPTION
-	70935426	2	FUSE, 7.5 AMP
-	700721620	5	FUSE, MINI 3AMP
-	70937605	5	FUSE, MINI 5AMP
-	70937606	5	FUSE, MINI 10AMP
-	70937607	5	FUSE, MINI 15AMP
-	70937608	5	FUSE, MINI 20AMP
-	70937609	5	FUSE, MINI 25AMP
-	70937610	5	FUSE, MINI 30AMP
-	70226012	4	GASKET, DRAIN PLUG
-	71314321	1	HOLDER, BRUSH
-	71309768	1	IDLER, PURCHASE
-	71308156	1	IDLER, PURCHASE
-	2554761W91	2	IMPELLER WLMT
-	71396653	2	JOURNAL ASY, U-JOINT
-	71377109	2	KEY, IGNITION X2
-	2605880W91	1	LINK ASY, ATTACHING
-	71149388	6	LINK ASY, ATTACHING
-	71149894	6	LINK, CHAIN ATTACHING
-	71149895	6	LINK, CHAIN COUPLING
-	70914584	6	LINK, CHAIN CONNECTOR
-	329951M91	2	LINK, CHAIN CONNECTOR
-	70927035	2	LINK, CHAIN OFFSET
-	71149896	2	LINK, CHAIN OFFSET
-	70927034	6	LINK, CHAIN ROLLER
-	70937300	1	LINK, CHAIN ROLLER
-	71341450	4	PADDLE, SPREADER
-	71383932	6	PADDLE BLADE KIT, CHOPPER
-	71306949	1	PLUG
-	71369761	1	RECEIVER DRYER
-	700714529	1	RECEPTACLE
-	71396971	1	RELAY, 20 AMP
-	71396970	1	RELAY, 40 AMP
-	72160919	1	RELAY, DIFFERENTIAL
-	70927738	1	RING, RETAINING
-	70927103	1	RING, RETAINING
-	70925160	10	RIVET
-	70937253	10	RIVET, BLIND
-	70924837	10	RIVET, BLIND
-	71364946	1	SCRAPER
-	79021649	4	SEALANT
-	79021676	1	SEALANT, PRIMER
-	79021668	2	SEALANT, THREAD
-	79021669	1	SEALANT, THREAD
-	71407293	1	SENDER, FUEL
-	71376825	1	SENSOR, POSITION
-	71391869	1	SENSOR, ROTARY POSITION
-	71356061	1	SLEEVE, HARD, IDLER PIVOT
-	71387896	12	SLAT, FEEDER CHAIN

CONTINUED

RDL
PR: 460

RECOMMENDED DEALER LIST

RECOMMENDED DEALER STOCK



9790 COMBINE
RECOMMENDED DEALER LIST

727

RECOMMENDED DEALER LIST

ITEM	NUMBER	QTY	DESCRIPTION
-	71345898	1	SPACER, HUB
-	71370926	1	SPACER, WHEEL B
-	7087398	1	SPROCKET, 17T-5
-	71391860	1	STARTER MOTOR (DELCO)
-	71370496	4	STOP, ARM
-	71395250	6	STRAIGHT BLADE, CHOPPER
-	71383934	6	STRAIGHT BLADE KIT, CHOPPER
-	71325523	1	SWITCH
-	72509305	1	SWITCH, AC HI PRESSURE
-	71372724	1	SWITCH, AC LOW PRESSURE
-	71351816	1	SWITCH, PRESSURE
-	71397929	1	THERMOSTAT
-	71395998	1	U-JOINT ASY, DOUBLE PIVOT
-	30-3076830	1	VALVE
-	2498390W1	1	VANE, 3-HOLE
-	2467230W1	1	VANE, 5-HOLE
-	2467220W1	3	VANE, 7-HOLE
-	72571032	1	CARD, INTERFACE, FIELDSTAR
-	72571014	1	[A] CONSOLE II, FIELDSTAR (GTA)
-	72571081	1	[A] HARNESS, ADAPTER FIELDSTAR II
-	71399237	2	[A] LOAD BAR, YIELD SENSOR (W/ELECT BOX)
-	71406842	1	[A] MOUNT, BAR, YIELD SENSOR
-	71406844	1	[A] PLATE, TARGET CLAMPING
-	71395205	1	[A] RECEIVER, 1 HZ WAAS GARMIN
-	71378711	1	[A] SENSOR, MOISTURE
-	71410926	4	[A] SNUBBER, YIELD SENSOR
-	71401399	1	[A] TARGET ASY., YLD SENSOR

[A] FIELDSTAR
NOTE: THIS PARTS STOCK LIST
INDICATES THOSE ITEMS RECOMMENDED
TO SERVICE FIVE UNITS.

RDL
PR: 460

©AGCO Corporation, 2007. All rights reserved.
Printed in U.S.A.

Publication No. 651801M92 (English)
January, 2007